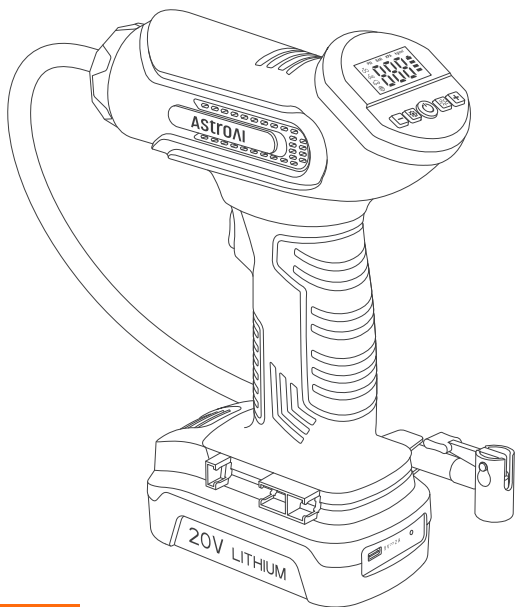


ASTROAI



LS40791

PORTABLE TIRE INFLATOR

USER MANUAL

INTRODUCTION

Thank you for purchasing the AstroAI Portable Tire Inflator.

This product can be powered by a rechargeable battery pack and 12 V DC power sources, making it suitable for a variety of inflation needs. It can inflate regular tires and other small inflatable objects. Once the preset air pressure is reached, the tire inflator will automatically shut off.

Thank you again for choosing AstroAI, if you have any questions or concerns regarding your product, please contact us via support@astroai.com



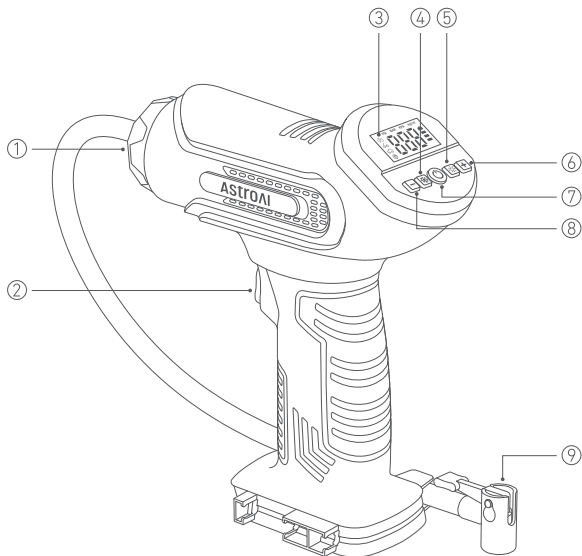
Please fully read and understand this manual before using this product. Keep this manual for future reference.

WARNING

- Please read the instructions carefully before use. Incorrect usage may damage the product.
- Please practice electrical safety while using this product.
- Do not use the product for unintended purposes.
- Do not use the product near any flammable liquids or gases.
- Ensure the tire inflator is intact before use, do not use it if it is damaged.
- Do not use the tire inflator if it is damaged or if its wires are exposed, doing so poses risk of electric shock.
- Do not overinflate tires. Excessive pressure may cause injury.
- Keep out of reach of children.
- Keep the device away from fire, corrosive gases, liquids, and strong magnetic fields.
- Check the preset pressure value before use. The preset pressure value should match the object to be inflated.
- The air nozzle is not only for inflating car, motorcycle, bicycle and midsize SUV tires; it is also suitable for other basketball and yoga ball-sized inflatables.
- Do not store the tire inflator in high-temperature or humid environments.
- After every 15 minutes of continuous use, please let the tire inflator cool for at least 10 minutes.

- When not in use, disconnect the tire inflator from all power sources.
- PSI, Bar, kPa, kg/cm² are the pressure units, not the pressure levels.
- Please do not use this product in the rain or near any liquids.
- This product contains small accessories which are a choking hazard to children. Please keep out of reach of children.
- Do not aim the nozzle at people or any part of a human body.
- Do not use this product with 24 V car power. Only connect the tire inflator to a 12 V 15 A DC cigarette lighter.
- Do not drag the product by pulling the power cord or air hose.
- Do not use chemical cleaners to clean the tire inflator. Only use mild soap and a cloth dipped in hot water to clean the plastic parts.
- The rechargeable battery pack should be used in a clean, dry and well-ventilated place. Keep the tire inflator away from fire, heat, and corrosive liquid.
- The rechargeable battery pack should be charged soon after it is discharged. If the battery is left discharged for too long, the battery may sustain damage. Please promptly charge the battery after use.
- To avoid damage, please do not charge your electronic devices while the tire inflator is pumping.
- If the attachments are missing or damaged after the package is delivered, please contact us.

DIAGRAM



① LED Light

② Trigger

③ Screen

④ Mode / Unit Button

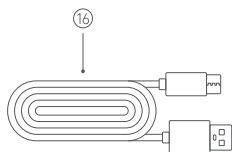
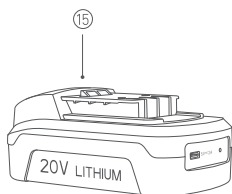
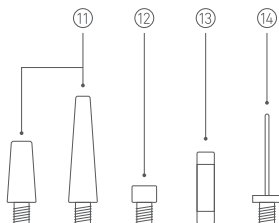
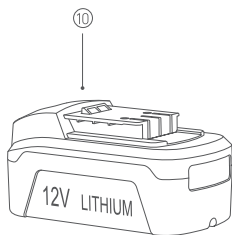
⑤ LED Button

⑥ "+" Button

⑦ Power Button

⑧ "-" Button

⑨ Quick Connector



⑩ 12 V DC Power Cord

⑪ 2 × Air Nozzles

⑫ Presta to Schrader

⑬ Replacement Fuse

⑭ Needle Valve Adapter

⑮ 2.0 AH Rechargeable Battery Pack

⑯ USB Charging Cable

⑰ Storage Bag

PREPARATION BEFORE USE

Charging the Rechargeable Battery Pack

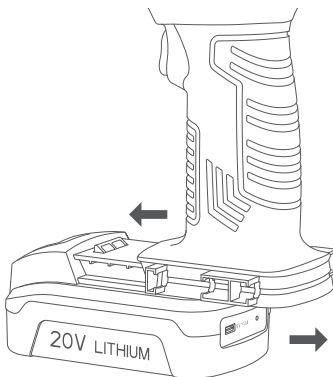
- Connect one end of the USB charging cable to the 5 V 2 A port on the rechargeable battery pack and the other end to the charger head.

NOTE: The charger head is not included in this package, you may purchase it separately.

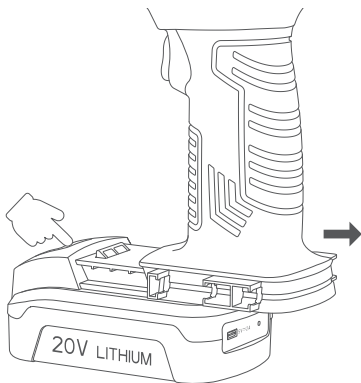
- A red battery indicator indicates charging.
- A green battery indicator indicates that charging is complete.

Installing and Removing the Rechargeable Battery Pack

- Push the bottom of the tire inflator to the left along the battery's groove. Once the bottom of the tire inflator is flush with the battery, it is successfully installed.



- Hold the handle and press the button above the battery to remove the battery.

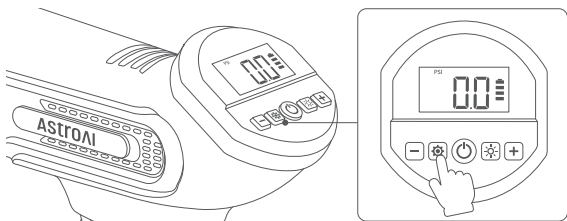


INSTRUCTIONS

NOTE: Ensure the 2.0 AH rechargeable battery pack is fully charged before use.

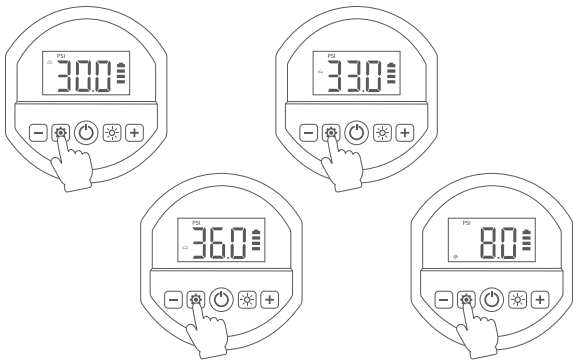
1. Install the 2.0 AH rechargeable battery pack at the bottom of the tire inflator or insert the 12 V DC power cord into the vehicle's 12 V cigarette lighter socket.
2. The screen will light up after powering on.

3. Press and hold the Mode / Unit Button to switch the units; choose the desired unit. (4 options: PSI, Bar, kPa, kg/cm²)

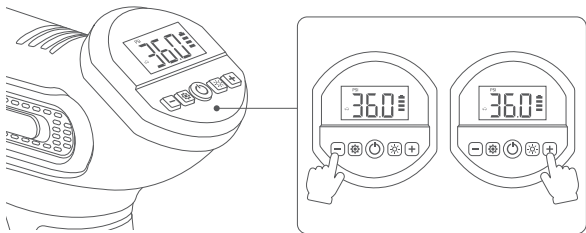


4. Press the Mode / Unit Button to switch modes. The screen displays Bicycle mode-Motorcycle mode-Car mode and Basketball mode (in order).

The corresponding default preset value will display on the screen when switching modes. (Bicycle 30 PSI, Motorcycle 33 PSI, Car 36 PSI, Basketball 8 PSI.)

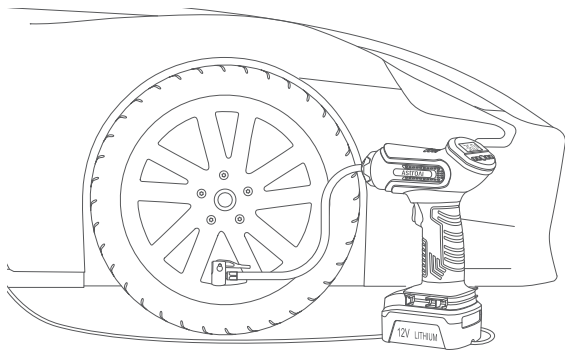


5. Use the "+" and "-" buttons to set the desired pressure. Use the tire pressure guide on the inside of the driver's door for guidance.

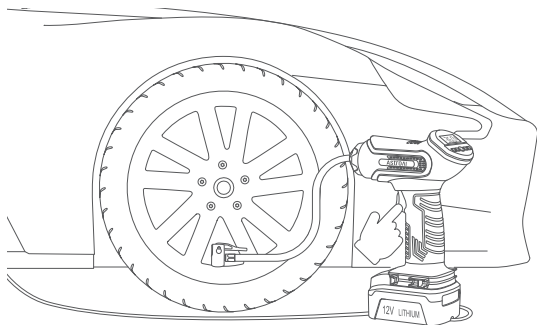


6. Remove the cap from the tire's valve stem. Connect the quick connector to the tire's valve stem. If you need to illuminate the surrounding area, press the LED button.

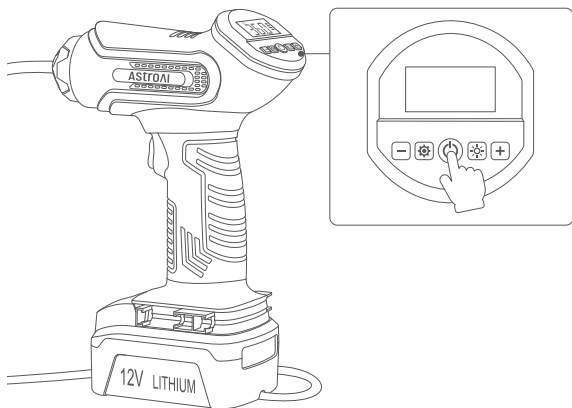
Tip: For better sealing when using the quick connector, align it to the valve stem, press it in firmly, and flip the small lever.



7. Press the Trigger to start the inflation.



8. After inflation, press and hold the Power Button for 3 seconds to turn off the tire inflator.



SPECIFICATIONS

Model: LS40791

Working Voltage: DC 12 V / 20 V Rechargeable Battery

Power Rating: 150 W

Inflating Speed: 25 L / Min

Maximum Working Pressure: 150 PSI

Display Units: PSI, Bar, kPa, kg/cm²

Continuous Operating Time: 15 Mins

Hose Length: 1.14 ft (35 cm)

DC Power Cord Length: 9.84 ft (3 m)

USB Charging Cable: 3.28 ft (1 m)

Dimensions: 21 × 8.4 × 26 cm / 8.26 × 3.3 × 10.23 in

Certificates: CE, FCC, ROHS

TROUBLESHOOTING

Trouble **Slow Inflation**

- Solution**
- The inflation nozzle is not properly connected to the tire's valve stem.
 - Excessive use will slow the inflation rate of the tire inflator. Turn it off and let it cool for 10 minutes.

Trouble **Tire Inflator Will Not Inflate**

- Solution**
- Ensure the in-line fuse is securely and correctly inserted; replace the fuse if necessary.
 - Check the vehicle's cigarette lighter fuse, it should be rated at 15 A.
 - Ensure there is a secure connection between the power cord and 12 V socket.
 - Ensure the rechargeable battery pack is correctly installed on the tire inflator.
 - The preset tire pressure is lower than the current tire pressure. Increase the preset tire pressure to the manufacturer-recommended level.
 - The DC plug is damaged or the battery has insufficient charge.

Trouble **Tire Inflator is Operating Abnormally**

- Solution**
- The inflation nozzle is not properly connected to the tire's valve stem.
 - Ensure there is a strong connection between the power cord and 12 V socket.
 - The preset tire pressure is lower than the current tire pressure. Increase the preset tire pressure to the manufacturer-recommended level.
 - The tire inflator stops working due to a low battery.

Trouble **Air Leaking Through the Hose**

Solution Ensure there is a strong connection between the inflation nozzle and valve stem.

PACKAGE INCLUDES

AstroAI Tire Inflator	× 1
Air Nozzles	× 2
Needle Valve Adapter	× 1
Replacement Fuse	× 1
Presta to Schrader Valve Adapter	× 1
12 V DC Power Cord	× 1
2.0 AH Rechargeable Battery Pack	× 1
USB Charging Cable	× 1
Storage Bag	× 1
User Manual	× 1

RECYCLING

You may dispose of the product when its service life has ended, please recycle the recyclable parts according to local guidelines.

WARRANTY PERIOD

2 - Year Limited Warranty From AstroAI

Each AstroAI portable tire inflator will be free from defects in material and workmanship.

This warranty does not cover damage from neglect, misuse, contamination, alteration, accident, or abnormal conditions of operation or handling. This warranty covers the original purchaser only and is not transferable.

AstroAI always wants to provide our customers with excellent products and customer service.

Questions or concerns? We're happy to help!

Please contact us via support@astroAI.com

AstroAI

Web: www.astroai.com

E-Mail: support@astroai.com

V1.4