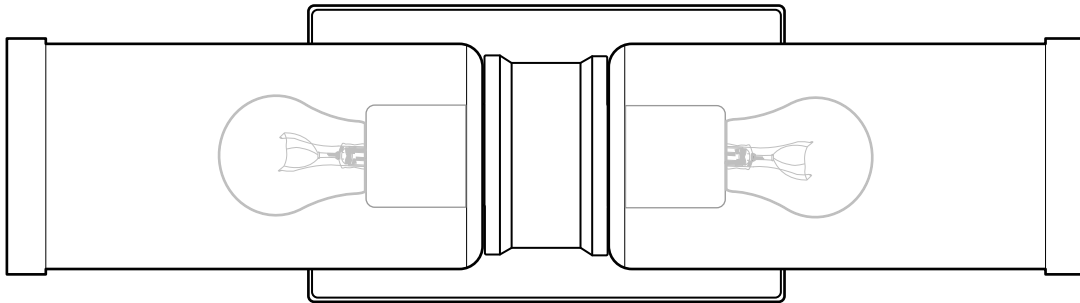


# VANITY LIGHT

Español p. 10

ATTACH YOUR RECEIPT HERE



APPROVED FOR USE  
IN DAMP LOCATIONS

Purchase Date \_\_\_\_\_

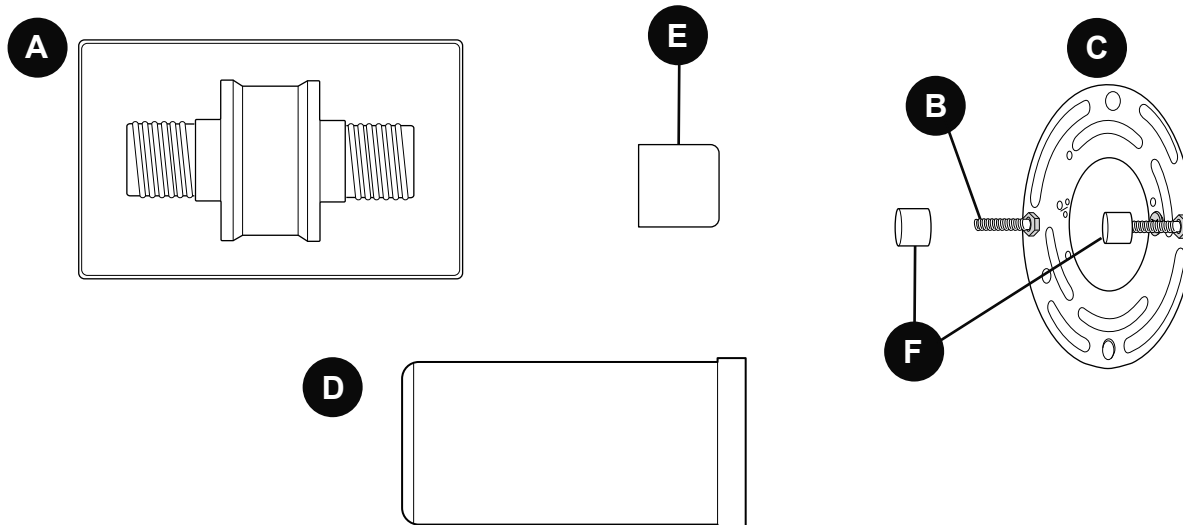


**Questions, problems, missing parts?** Before returning to your retailer, contact us on:  
**800-527-1292**, 8:30 a.m. - 5 p.m., CST, Monday - Friday.

## TABLE OF CONTENTS

Package Contents .....	2
Hardware Contents .....	3
Safety Information .....	3
Preparation .....	4
Assembly Instructions .....	5
Care and Maintenance .....	9
Troubleshooting .....	9
Warranty .....	9

## PACKAGE CONTENTS

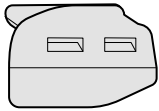


PART	DESCRIPTION	QUANTITY
A	Fixture	1
B	Screw (preassembled to mounting plate (C))	2
C	Mounting Plate (preassembled to fixture (A))	1
D	Shade	2
E	Socket cover (preassembled to fixture (A))	2
F	Decorative nut (preassembled to screw (B))	2

## HARDWARE CONTENTS (shown actual size)

---

AA



Lever Wire  
Connector

Qty. 3

BB



Machine  
Screw

Qty. 2

## SAFETY INFORMATION

---

### READ AND SAVE THESE INSTRUCTIONS

#### DANGER

- For your protection and safety, carefully read and understand the information provided in this manual completely before attempting to assemble, install or operate this product. Failure to do so could lead to fire, electrical shock or other injuries that could be hazardous or even fatal.
- TURN OFF ELECTRICITY at main fuse box (or circuit breaker box) before beginning installation by removing the fuse (or switching the circuit breaker off).
- DO NOT connect this fixture to an electrical system that does not provide a means for equipment grounding. Never use a fixture in a two-wire system that is not grounded. Installing a fixture into an electrical system not having a proper grounding means could cause metal parts of the fixture to carry electrical currents if any of the fixture wires, wire connections or splices were to become broken, cut or loose during the mounting or normal operation of the fixture. Under this condition, anyone coming in contact with the fixture would be subject to electrical shock, which could cause serious injury or death.
- DO NOT connect the BARE or GREEN insulation fixture ground wire to the BLACK (HOT) current-carrying wire or the WHITE (NEUTRAL) house wire. Connection of the BARE or GREEN fixture ground wire to the BLACK or WHITE house wires may cause metal parts of the fixture to carry electrical currents. Under this condition anyone coming in contact with the fixture will receive electrical shock, which could cause serious injury or death.
- DO NOT damage or cut the wire insulation (covering) during installation of fixture. DO NOT permit wires to contact any surface having a sharp edge. To do so may damage or cut the wire insulation, which could cause serious injury or death from electrical shock.

#### WARNING

- All electrical connections must be in agreement with local codes and ordinances, the National Electric Code (NEC) and ANSI/NFPA 70-1999. Contact your municipal building department to learn about your local codes, permits and/or inspections. Risk of fire - most dwellings built before 1985 have supply wire rated for 140 °F (60 °C). Consult a qualified electrician before installation.
- To avoid personal injury, the use of gloves may be necessary while handling fixture parts with sharp edges.

## SAFETY INFORMATION

---

### WARNING

- To reduce the risk of damage to the fixture, DO NOT use power tools to assemble any part of the fixture.
- DO NOT suspend any fixture by the house wires. A fixture must always be mounted directly to an outlet box or to a mounting plate which is first attached to the outlet box. Wire connectors will not support the weight of a fixture. Suspending a fixture by the house wires and wire connectors will result in the fixture falling, with the possibility of personal injury and the danger of electrical shock or fire.
- To reduce the risk of fire, electrical shock or personal injury, lever wire connectors provided with this light fixture are designed to accept only one 12-gauge house wire and one lead wire from the light fixture. If your house wire is larger than 12-gauge or there is more than one house wire to connect to the corresponding fixture lead wires, consult an electrician for the proper size lever wire connectors to use.

### CAUTION

- If you are not sure the lighting system has a grounding means, DO NOT attempt to install this fixture. Contact a qualified, licensed electrician for information regarding the proper grounding methods as required by the local electrical code in your area.
- All fixtures must be mounted to an outlet box that is supported by the building structure.
- If a dimmer control switch is used with this fixture, obtain professional advice to determine the correct type to use as well as the electrical rating required.
- DO NOT use bulbs having a wattage greater than the maximum value stated on the fixture. The use of bulbs with higher wattage than specified will increase temperatures and risk of fire.

## PREPARATION

---

Before beginning assembly of product, make sure all parts are present. Compare parts with package contents list and hardware contents list. If any part is missing or damaged, do not attempt to assemble the product.

### **Estimated Assembly Time: 30 minutes**

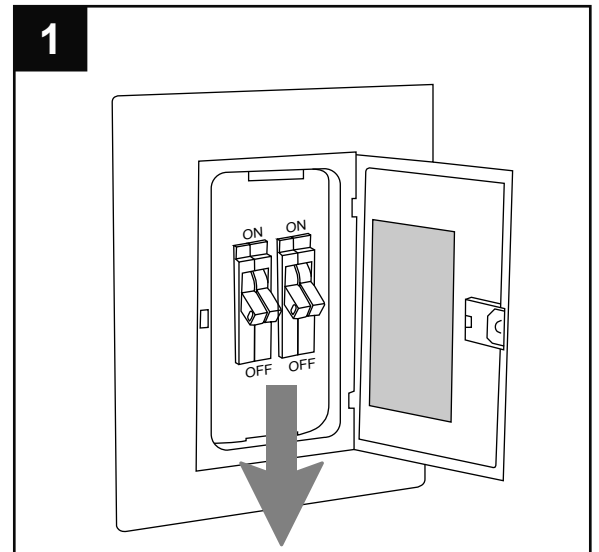
Tools Required for Assembly (not included): Flathead screwdriver, Phillips screwdriver, wire strippers, pliers, wire cutters, safety glasses, stepladder, electrical tape, level

Helpful Tools (not included): A/C Tester Light, Do-It-Yourself Guide, Soft Cloth

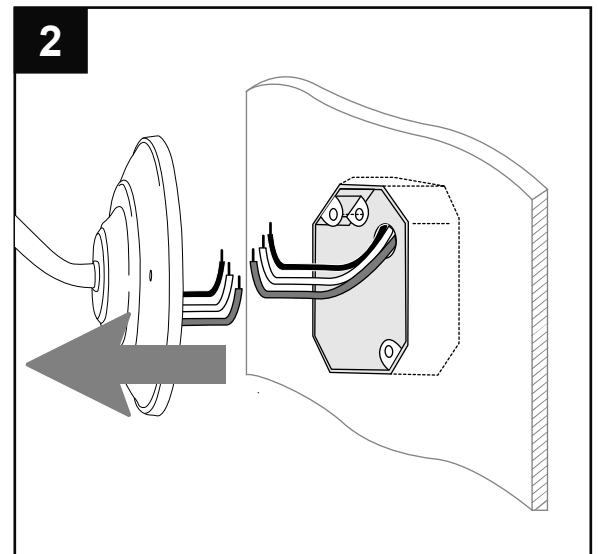
## ASSEMBLY INSTRUCTIONS

1. Turn off circuit breakers and wall switch to the fixture supply line leads.

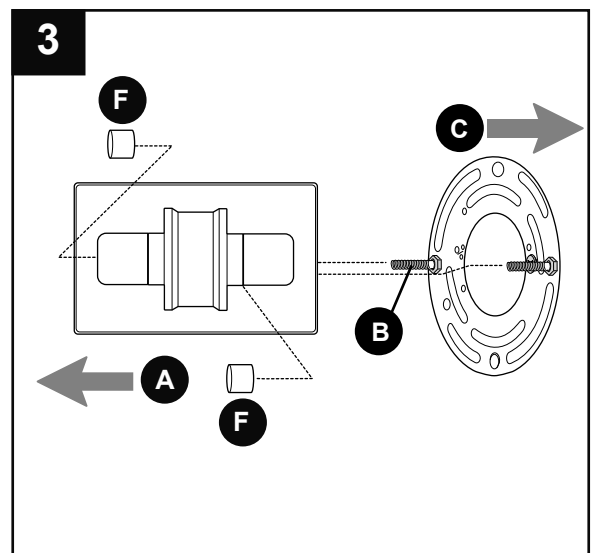
**⚠ DANGER:** Failure to disconnect power supply prior to installation may result in serious injury or death.



2. Remove existing fixture and disconnect all electrical wiring.



3. Remove mounting plate (C) from fixture (A) by removing decorative nuts (F) from the front of the fixture (A). Save decorative nuts (F) for later use.



## ASSEMBLY INSTRUCTIONS

4. Attach mounting plate (C) to outlet box (not included) using existing washers and outlet box screws or the machine screws (BB). **NOTE:** If the outlet box screws required for your outlet box are of a different size than the machine screws (BB), consult a licensed electrician before proceeding.

Use level (not included) to make sure screws (B) are level horizontally. This will help ensure the fixture (A) is level when attached. Tighten machine screws (BB) completely to secure mounting plate (C).

**⚠ CAUTION:** The fixture (A) must be mounted to an outlet box that is supported by the building structure and can support the weight of the fixture. Plastic outlet boxes are not recommended.

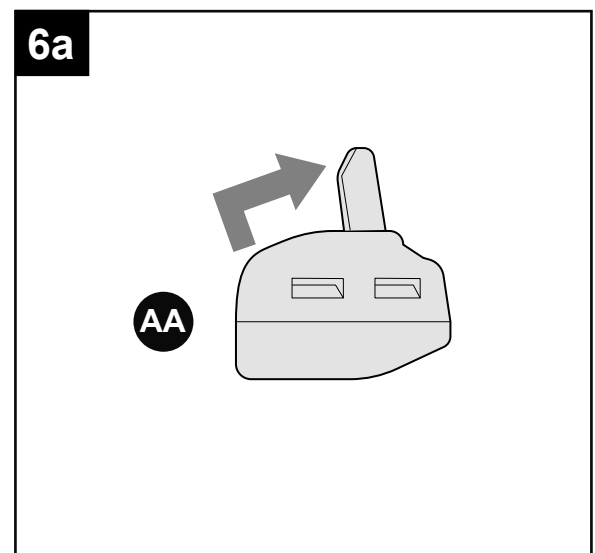
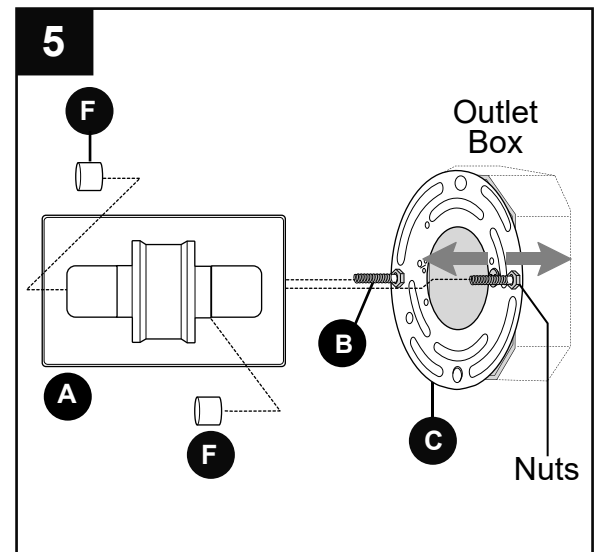
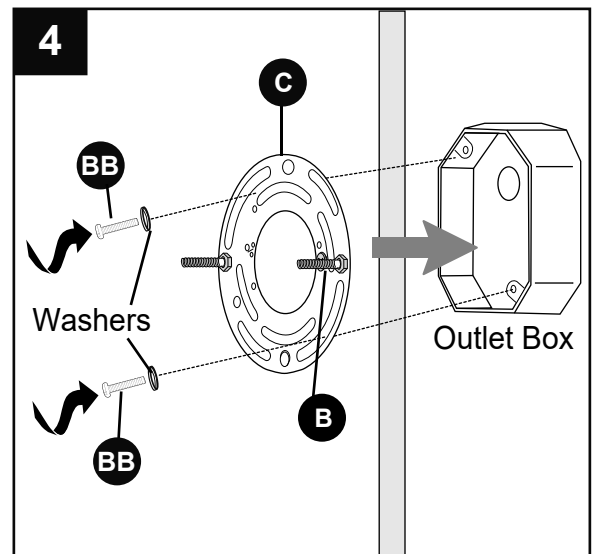
### Hardware Used

**BB** Machine Screw  x 2

5. Temporarily place fixture (A) over mounting plate (C) to determine amount of adjustment necessary for screws (B). **NOTE:** Screws (B) should come through holes in fixture (A) just enough so decorative nuts (F) fit flush against fixture (A) when mounted. Once screws (B) are adjusted, use pliers (not included) to tighten nuts on screws (B) securely against mounting plate (C).

- 6a. **IMPORTANT:** Each wire connection is made by firmly raising the levers on each lever wire connector (AA), as shown. Then, ONE wire is inserted into each opening.

**⚠ WARNING:** In order for wire connections to be secure, all levers on the lever wire connectors (AA) must be completely returned to their original position.



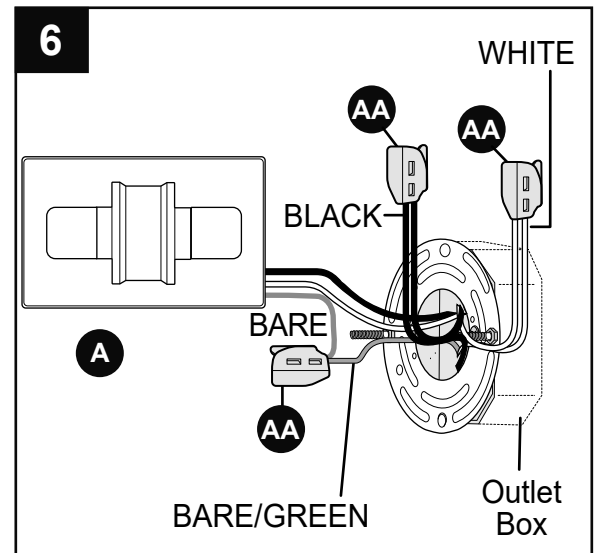
## ASSEMBLY INSTRUCTIONS

- 6b. Prepare wires by stripping 3/8 in. of insulation from wire ends using wire strippers (not included). Insert BARE/GREEN ground wire from outlet box and BARE ground wire from fixture (A) into openings in lever wire connector (AA). Insert WHITE wire from fixture (A) and WHITE wire from outlet box into openings in lever wire connector (AA). Insert BLACK wire from fixture (A) and BLACK wire from outlet box into openings in lever wire connector (AA).


**⚠ WARNING:** Never connect ground wire to WHITE or BLACK power supply wires.

**⚠ WARNING:** GENTLY pull on wires in each lever wire connector (AA) to confirm the lock is engaged and that wires are secure.

**⚠ WARNING:** To reduce the risk of fire, electrical shock or personal injury, lever wire connectors (AA) are designed to accept only one 12-gauge house wire and one lead wire from the light fixture. If your house wire is larger than 12-gauge or there is more than one house wire to connect to the corresponding fixture lead wires, consult an electrician for the proper size lever wire connectors to use.

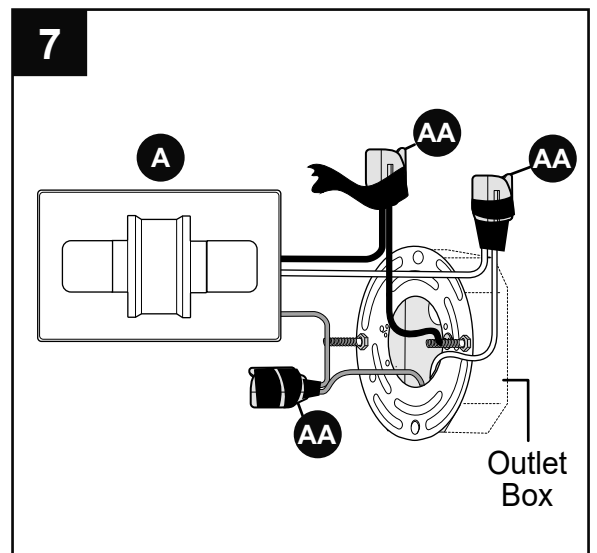


### Hardware Used

**AA** Lever Wire Connector  x 3

7. Wrap electrical tape (not included) around each individual lever wire connector (AA) down to the wire. Push lever wire connectors (AA) gently back into outlet box. Carefully push excess wiring into outlet box.

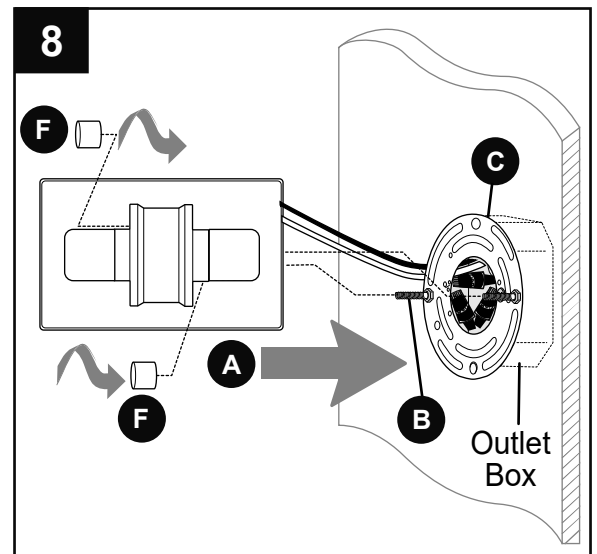
**⚠ WARNING:** Make sure no bare wire or wire strands are visible after making connections.



## ASSEMBLY INSTRUCTIONS

8. Align holes in fixture (A) with screws (B) on mounting plate (C) and push fixture (A) toward wall. Attach fixture (A) to mounting plate (C) using the decorative nuts (F) previously removed (Step 3, page 5).

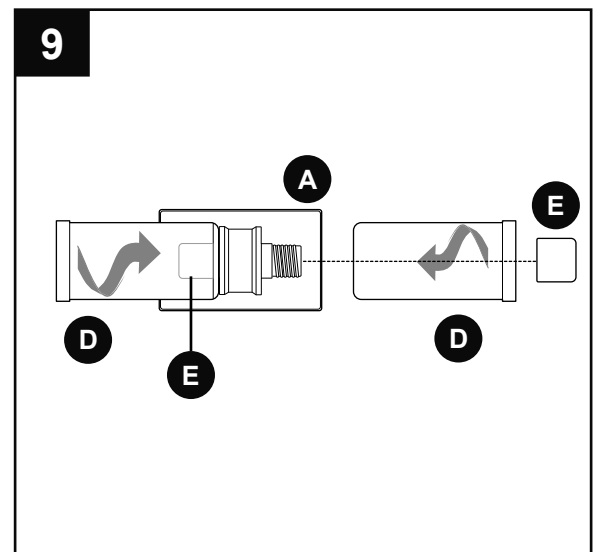
**NOTE:** Check fixture (A) with level, and adjust if necessary, before tightening decorative nuts (F) completely.



9. Remove socket cover (E) from socket on fixture (A).

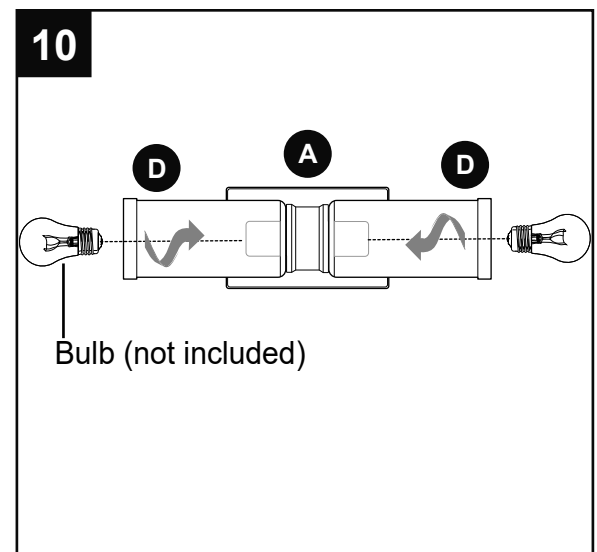
Attach shade (D) to fixture (A) by replacing socket cover (E).

**! WARNING:** Do NOT overtighten socket cover (E) as shade (D) may crack or break.



10. Install two 60-watt max. standard-base incandescent bulbs (not included) or CFL/LED equivalents.

**! WARNING:** When replacing bulb(s), please allow bulb(s), shade(s) (D) and fixture (A) to cool down before touching them.

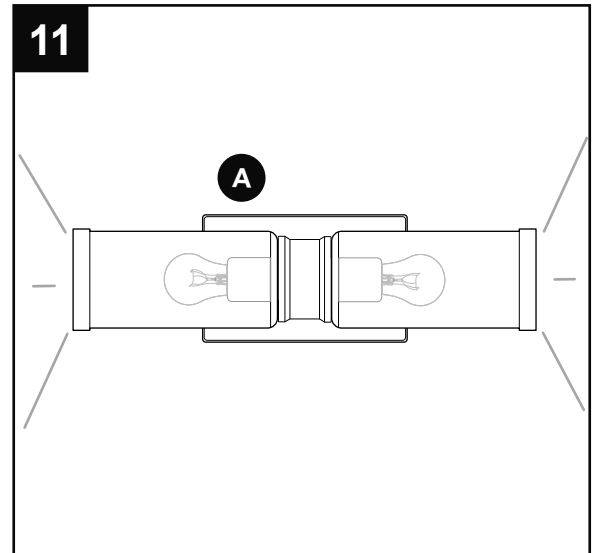




## ASSEMBLY INSTRUCTIONS

### 11. Restore power and test fixture (A).

If light does not function, please refer to TROUBLESHOOTING below.



## CARE AND MAINTENANCE

- Shut off main power supply. Wipe fixture with soft, damp cloth. Use mild cleaner to clean shade. Do not use an abrasive cleaner on fixture.

## TROUBLESHOOTING

**⚠ WARNING:** Before beginning work, shut off the power supply to avoid electrical shock.

PROBLEM	POSSIBLE CAUSE	CORRECTIVE ACTION
Bulb(s) will not light.	1. Bulb(s) is/are burned out. 2. Power is OFF. 3. Faulty connection.	1. Replace bulb(s). 2. Make sure power supply is ON. 3. Check wiring and all connections.
Fuse blows out or circuit breaker trips.	1. Crossed wires. 2. Power wire is grounding out.	1. Check wiring. 2. Check all connections.

## WARRANTY

The distributor warrants all of its lighting fixtures against defects in materials and workmanship for one (1) year from the date of purchase. If within this period the product is found to be defective, take a copy of the bill of sale as a proof of purchase and the product in its original carton to the place of purchase. The distributor will, at its option, repair, replace or refund the purchase price to the consumer. All costs of installation and removal of the fixture is the responsibility of the consumer. This warranty does not cover fixtures becoming defective due to misuse, accidental damage or improper handling and/or installation and specifically excludes liability for direct, incidental or consequential damages, improper packaging of returned products and acts of God. As some states do not allow exclusions of limitations on an implied warranty, the above exclusion and limitation may not apply. This warranty gives you specific rights and you may also have other rights which may vary from state to state.