
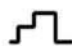




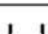





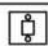

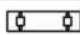


















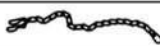


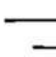




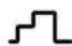












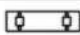






































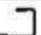






































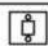



























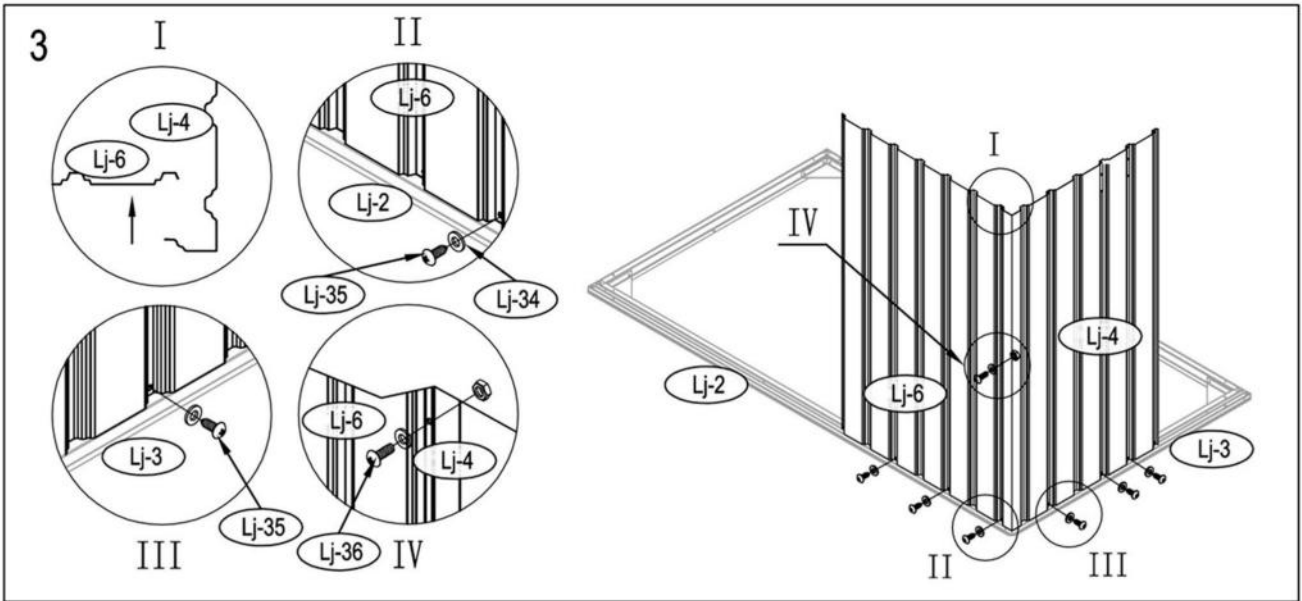
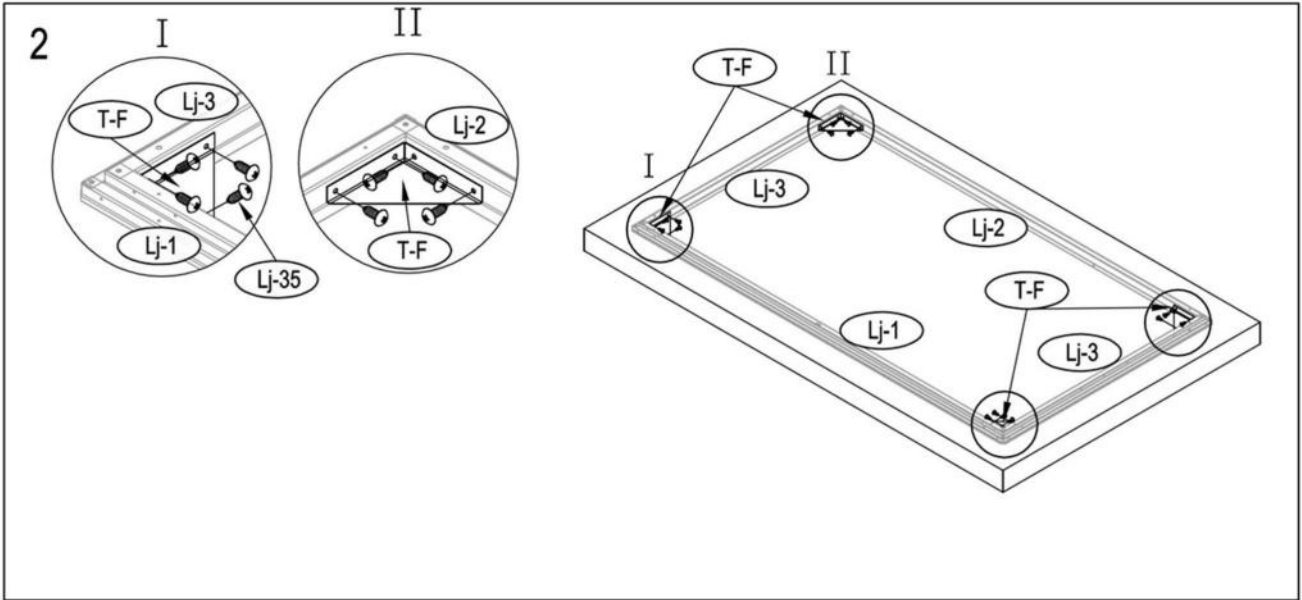
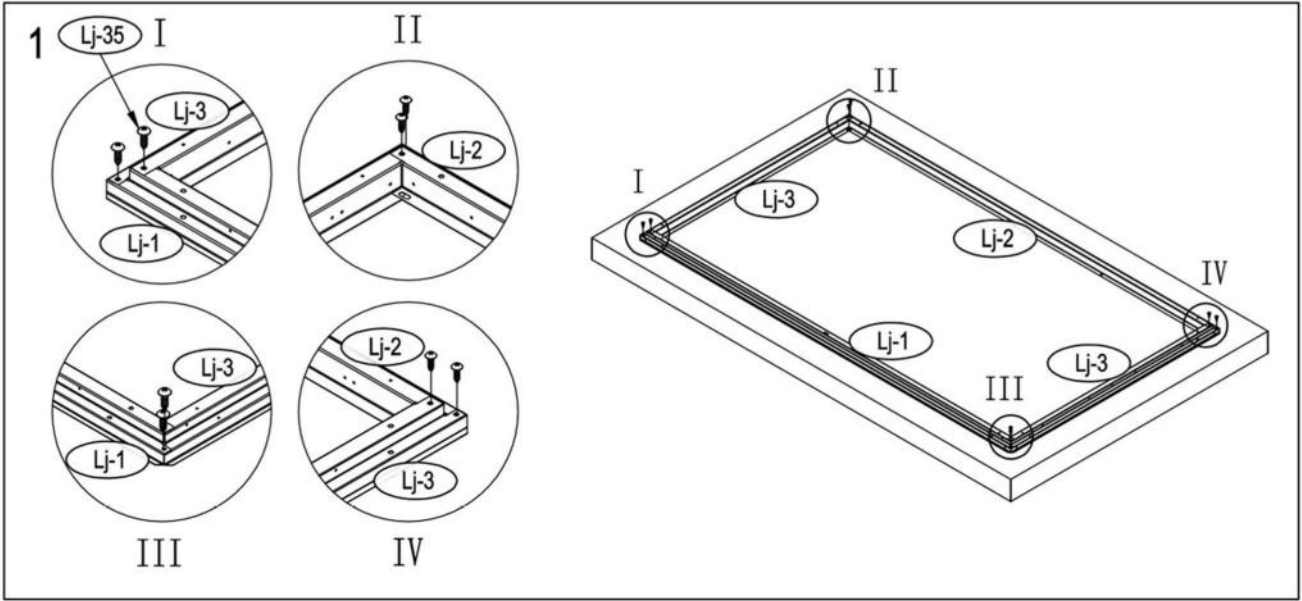


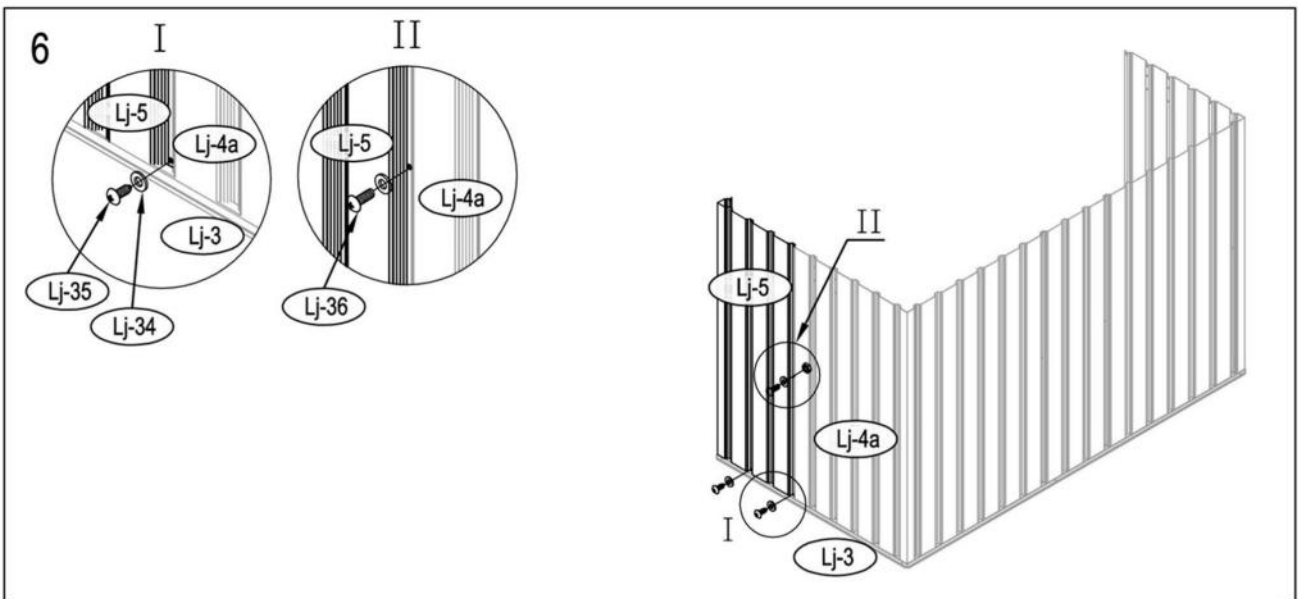
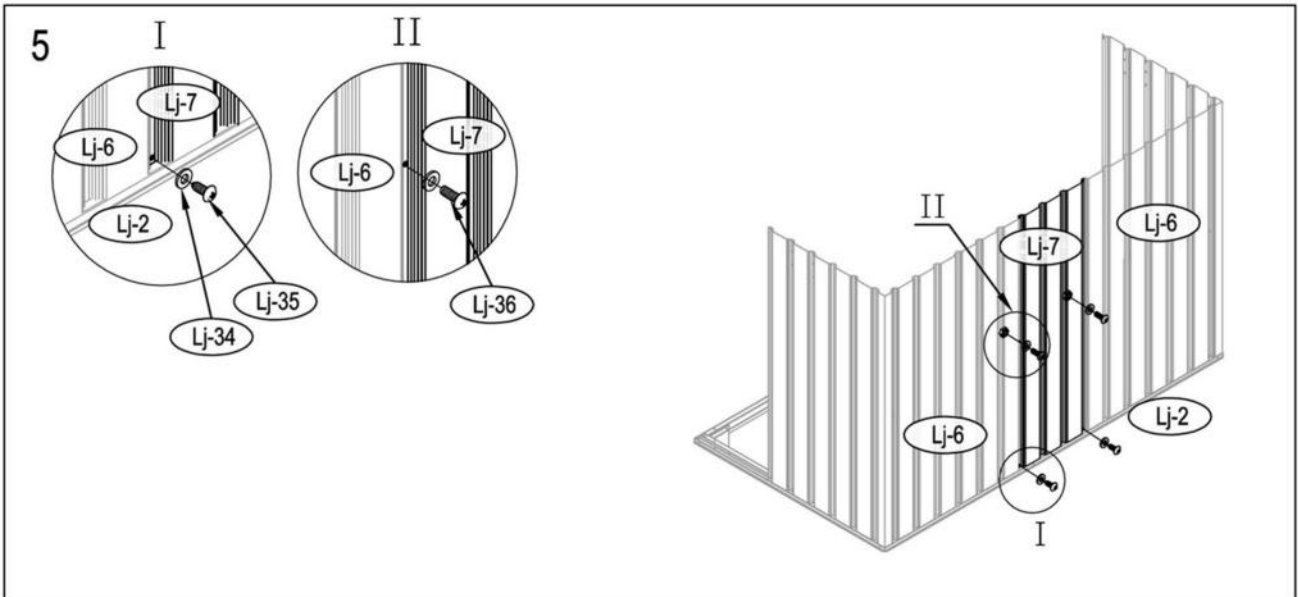
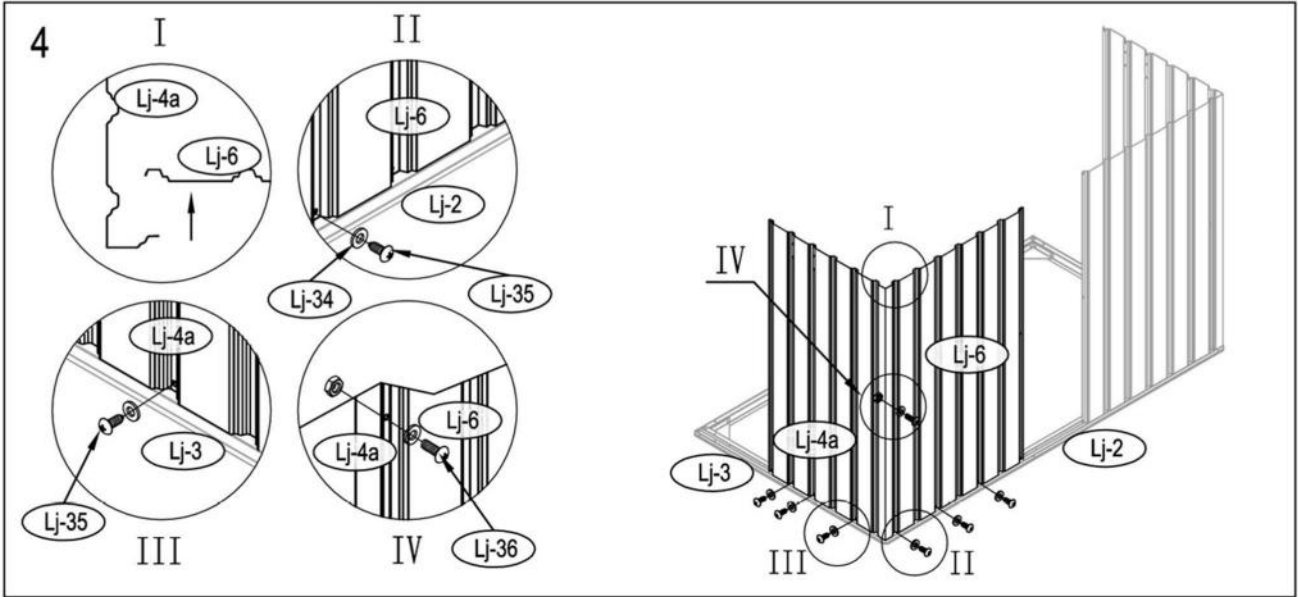
NO.	IMAGE	mm	QTY	Box No.	NO.	IMAGE	mm	QTY	Box No.
UNDER					Lj-23		1259	x1	1/2
Lj-1		1707	x1	2/2	Lj-23a		1259	x1	1/2
Lj-2		1707	x1	2/2	Lj-24		1259	x2	2/2
Lj-3		961	x2	2/2	Lj-26		1259	x1	2/2
T-F			x4	2/2	Lj-27		740.5	x4	2/2
MIDDLE					Lj-25		1259	x1	2/2
Lj-4		1100	x1	1/2	Lj-28		950	x4	2/2
Lj-4a		1100	x1	1/2	ANNEX				
Lj-5		1100	x2	1/2	Lj-14a			x2	2/2
Lj-6		1100	x2	1/2	Lj-14b			x2	2/2
Lj-7		1100	x1	1/2	Lj-29			x1	2/2
Lj-8		1703	x1	2/2	Lj-30			x1	2/2
Lj-9		943.5	x1	2/2	Lj-31			x1	2/2
Lj-9a		943.5	x1	2/2	Lj-32			x7	2/2
Lj-10		960	x1	1/2	Lj-33			x2	2/2
Lj-10a		960	x1	1/2	Lj-34			x92	2/2
Lj-11		1713	x1	2/2	Lj-35		ST4x10mm	x142	2/2
Lj-11a		1713	x1	2/2	Lj-36		M4x10mm	x66	2/2
Lj-12		1270	x1	2/2	Lj-37		M4x10mm	x12	2/2
Lj-12a		1270	x1	2/2	Lj-38		ST4x16mm	x10	2/2
Lj-13			x2	2/2	Lj-39			x3	2/2
Lj-14		165	x2	2/2	Lj-40			x6	2/2
Lj-14c		400-160-70N	x2	2/2	Lj-41		500	x2	2/2
TOP									
Lj-15		1010	x1	1/2					
Lj-15a		1010	x1	1/2					
Lj-16		1010	x1	1/2					
Lj-17		1010	x1	2/2					
Lj-17a		1010	x1	2/2					
Lj-18		1724	x1	2/2					
Lj-19		1724	x1	2/2					
Lj-20		1720	x1	2/2					
Lj-21		1058.5	x2	2/2					
DOOR									
Lj-22		1259	x2	1/2					

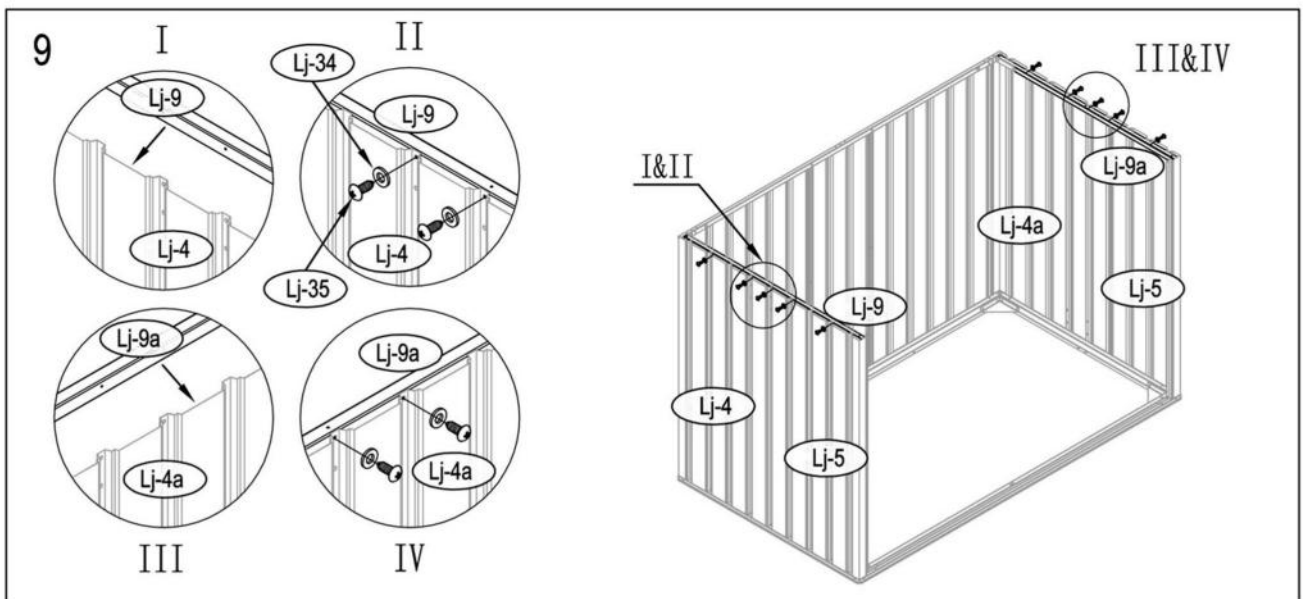
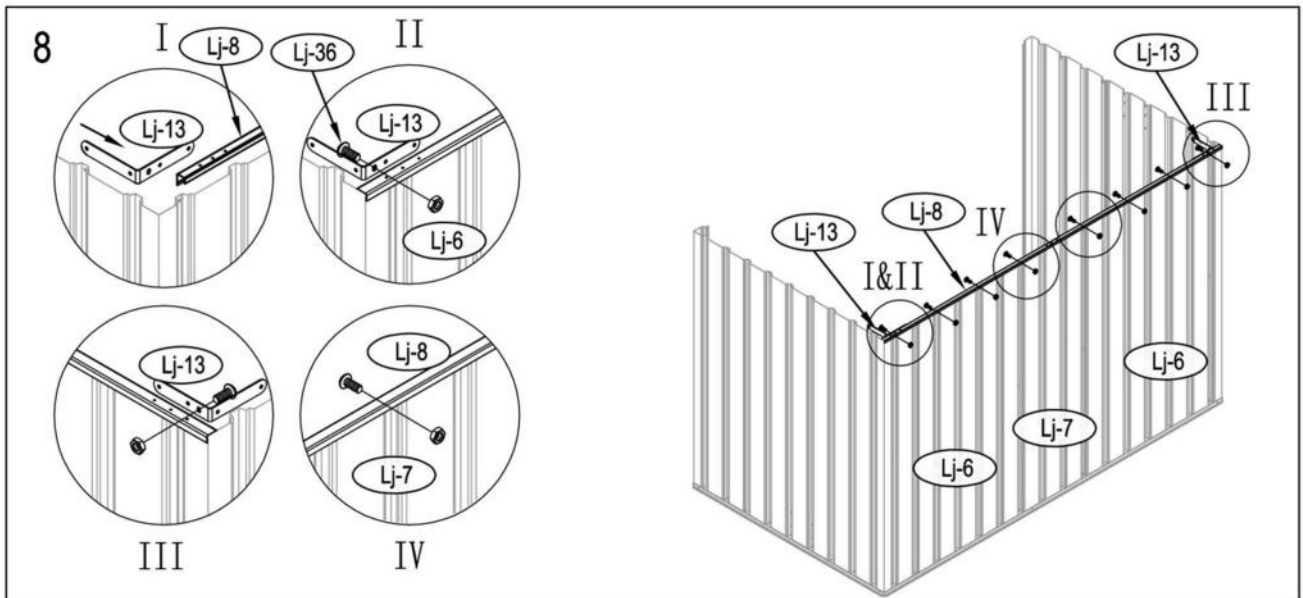
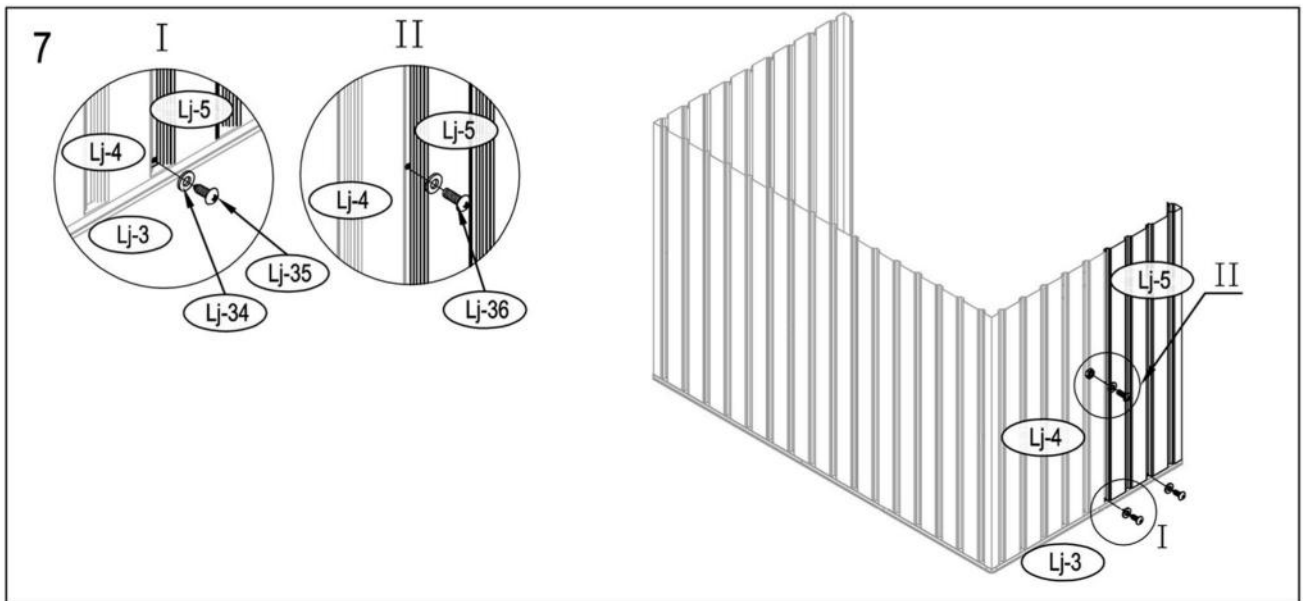
NR.	BILD	mm	MENGE	Box NR.	NR.	BILD	mm	MENGE	Box NR.
UNTER					Lj-23		1259	x1	1/2
Lj-1		1707	x1	2/2	Lj-23a		1259	x1	1/2
Lj-2		1707	x1	2/2	Lj-24		1259	x2	2/2
Lj-3		961	x2	2/2	Lj-26		1259	x1	2/2
T-F			x4	2/2	Lj-27		740.5	x4	2/2
MITTEL					Lj-25		1259	x1	2/2
Lj-4		1100	x1	1/2	Lj-28		950	x4	2/2
Lj-4a		1100	x1	1/2	ZUBEHÖR				
Lj-5		1100	x2	1/2	Lj-14a			x2	2/2
Lj-6		1100	x2	1/2	Lj-14b			x2	2/2
Lj-7		1100	x1	1/2	Lj-29			x1	2/2
Lj-8		1703	x1	2/2	Lj-30			x1	2/2
Lj-9		943.5	x1	2/2	Lj-31			x1	2/2
Lj-9a		943.5	x1	2/2	Lj-32			x7	2/2
Lj-10		960	x1	1/2	Lj-33			x2	2/2
Lj-10a		960	x1	1/2	Lj-34			x92	2/2
Lj-11		1713	x1	2/2	Lj-35		ST4x10mm	x142	2/2
Lj-11a		1713	x1	2/2	Lj-36		M4x10mm	x66	2/2
Lj-12		1270	x1	2/2	Lj-37		M4x10mm	x12	2/2
Lj-12a		1270	x1	2/2	Lj-38		ST4x16mm	x10	2/2
Lj-13			x2	2/2	Lj-39			x3	2/2
Lj-14		165	x2	2/2	Lj-40			x6	2/2
Lj-14c		400-160-70N	x2	2/2	Lj-41		500	x2	2/2
SPITZE									
Lj-15		1010	x1	1/2					
Lj-15a		1010	x1	1/2					
Lj-16		1010	x1	1/2					
Lj-17		1010	x1	2/2					
Lj-17a		1010	x1	2/2					
Lj-18		1724	x1	2/2					
Lj-19		1724	x1	2/2					
Lj-20		1720	x1	2/2					
Lj-21		1058.5	x2	2/2					
TÜR									
Lj-22		1259	x2	1/2					

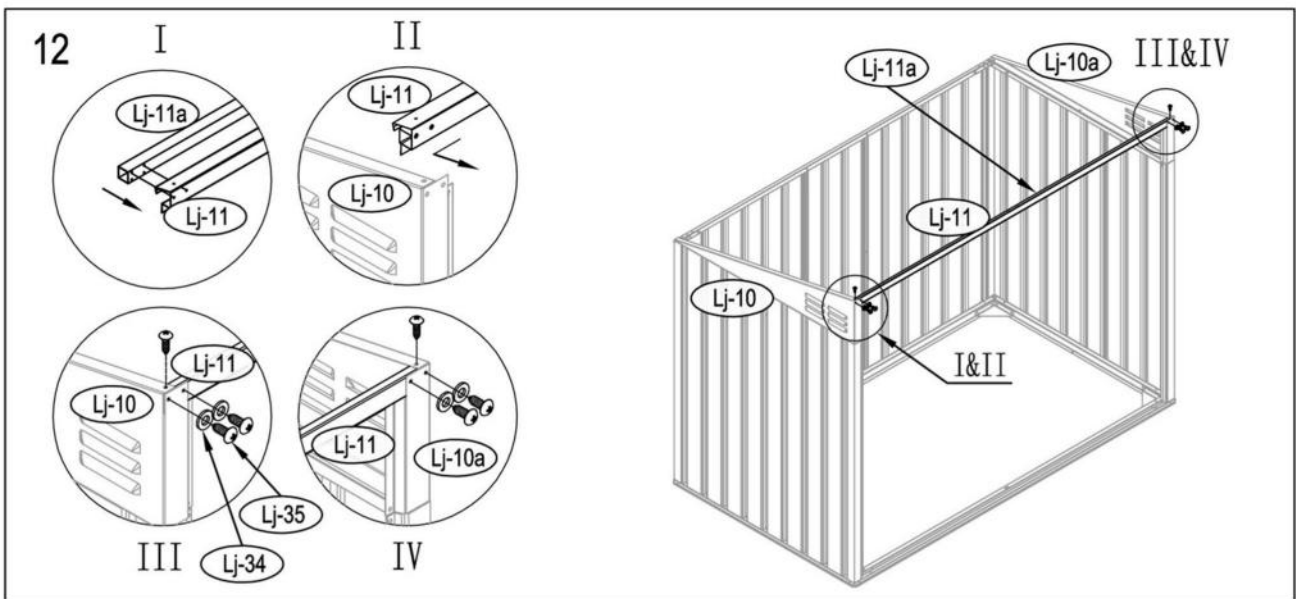
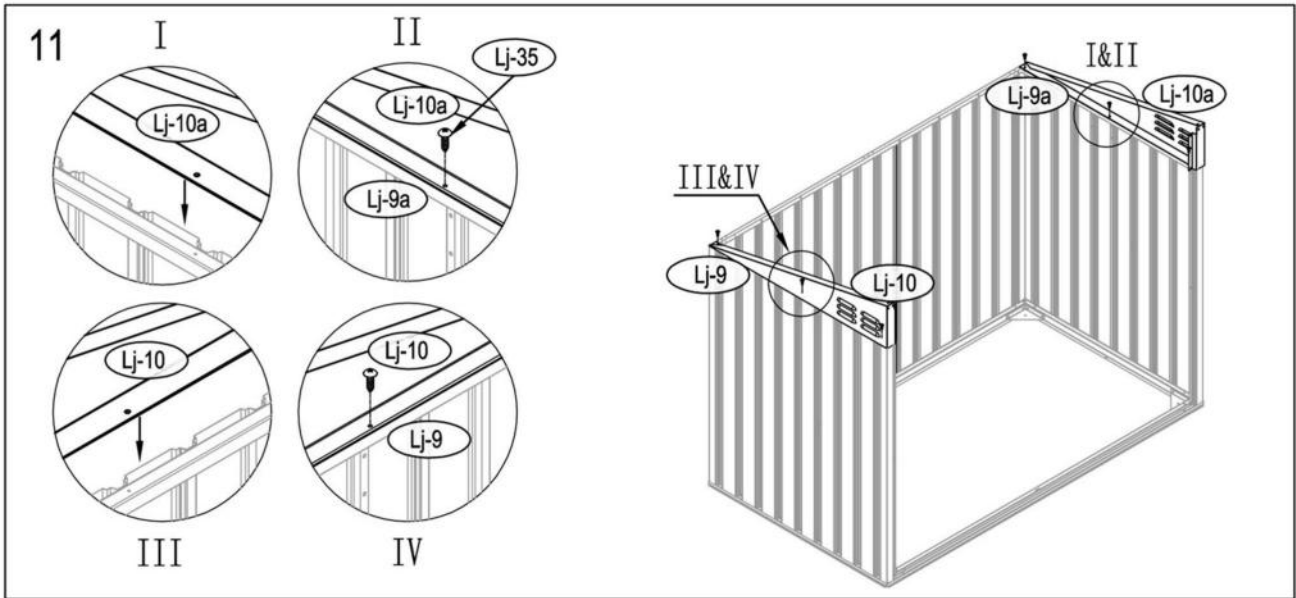
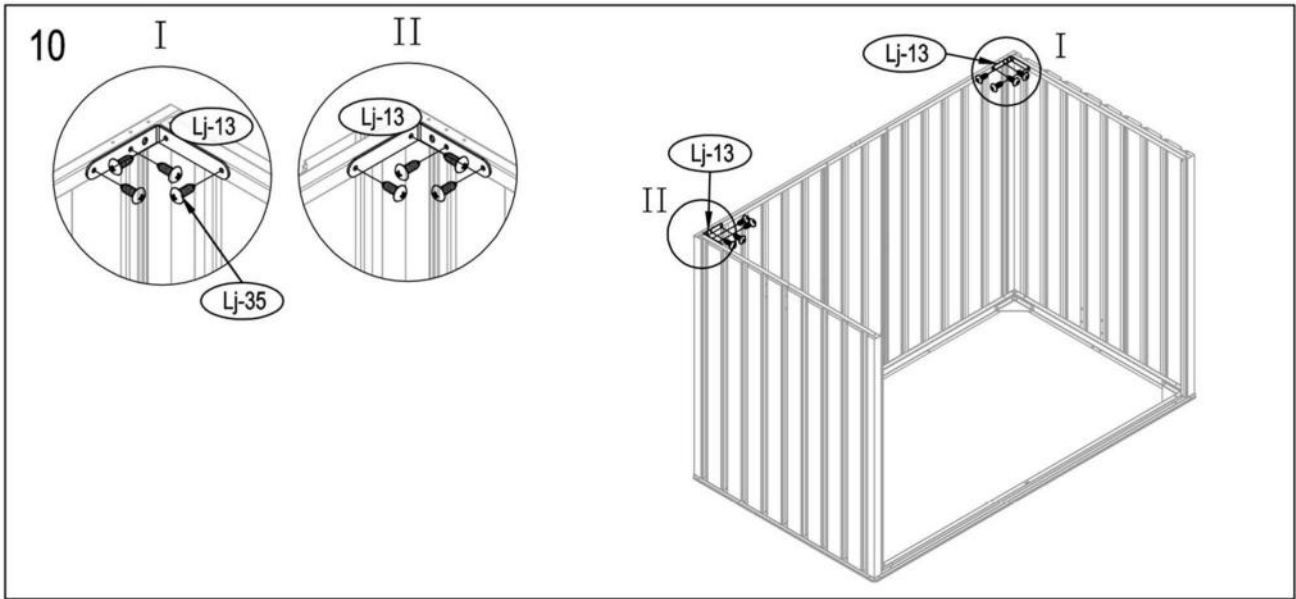
N°	IMAGE	mm	QUANTITE	N° de Boîte	N°	IMAGE	mm	QUANTITE	N° de Boîte
LA PARTIE INFÉRIEURE					Lj-23		1259	x1	1/2
Lj-1		1707	x1	2/2	Lj-23a		1259	x1	1/2
Lj-2		1707	x1	2/2	Lj-24		1259	x2	2/2
Lj-3		961	x2	2/2	Lj-26		1259	x1	2/2
T-F			x4	2/2	Lj-27		740.5	x4	2/2
LA PARTIE CENTRALE					Lj-25		1259	x1	2/2
Lj-4		1100	x1	1/2	Lj-28		950	x4	2/2
Lj-4a		1100	x1	1/2	ANNEXE				
Lj-5		1100	x2	1/2	Lj-14a			x2	2/2
Lj-6		1100	x2	1/2	Lj-14b			x2	2/2
Lj-7		1100	x1	1/2	Lj-29			x1	2/2
Lj-8		1703	x1	2/2	Lj-30			x1	2/2
Lj-9		943.5	x1	2/2	Lj-31			x1	2/2
Lj-9a		943.5	x1	2/2	Lj-32			x7	2/2
Lj-10		960	x1	1/2	Lj-33			x2	2/2
Lj-10a		960	x1	1/2	Lj-34			x92	2/2
Lj-11		1713	x1	2/2	Lj-35		ST4x10mm	x142	2/2
Lj-11a		1713	x1	2/2	Lj-36		M4x10mm	x66	2/2
Lj-12		1270	x1	2/2	Lj-37		M4x10mm	x12	2/2
Lj-12a		1270	x1	2/2	Lj-38		ST4x16mm	x10	2/2
Lj-13			x2	2/2	Lj-39			x3	2/2
Lj-14		165	x2	2/2	Lj-40			x6	2/2
Lj-14c		400-160-70N	x2	2/2	Lj-41		500	x2	2/2
LA PARTIE SUPÉRIEURE									
Lj-15		1010	x1	1/2					
Lj-15a		1010	x1	1/2					
Lj-16		1010	x1	1/2					
Lj-17		1010	x1	2/2					
Lj-17a		1010	x1	2/2					
Lj-18		1724	x1	2/2					
Lj-19		1724	x1	2/2					
Lj-20		1720	x1	2/2					
Lj-21		1058.5	x2	2/2					
LA PORTE									
Lj-22		1259	x2	1/2					

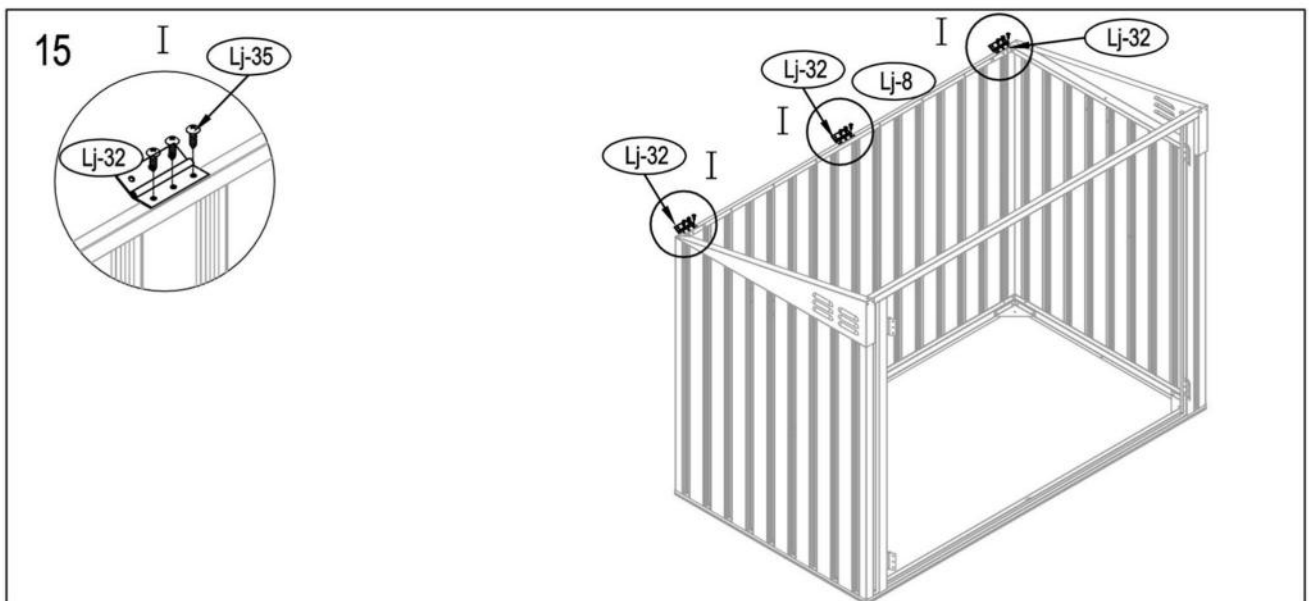
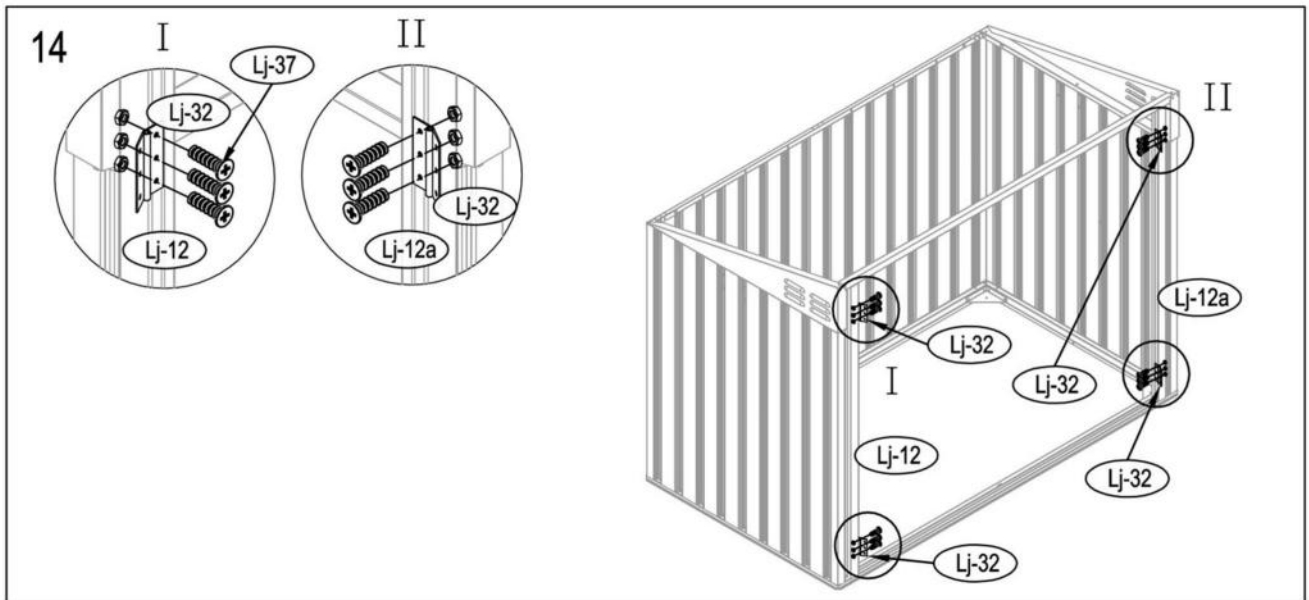
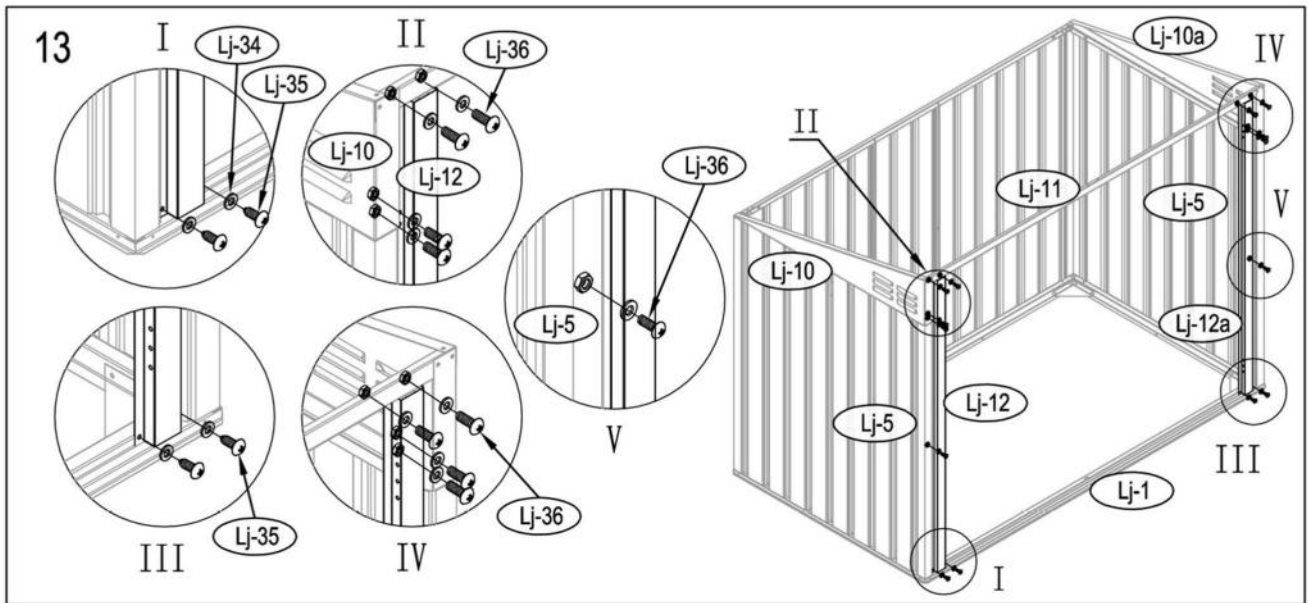
NO.	IMAGEN	mm	CANTIDAD	Número de Caja	NO.	IMAGEN	mm	CANTIDAD	Número de Caja
DEBAJO					Lj-23		1259	x1	1/2
Lj-1		1707	x1	2/2	Lj-23a		1259	x1	1/2
Lj-2		1707	x1	2/2	Lj-24		1259	x2	2/2
Lj-3		961	x2	2/2	Lj-26		1259	x1	2/2
T-F			x4	2/2	Lj-27		740.5	x4	2/2
MEDIO					Lj-25		1259	x1	2/2
Lj-4		1100	x1	1/2	Lj-28		950	x4	2/2
Lj-4a		1100	x1	1/2	ANEXO				
Lj-5		1100	x2	1/2	Lj-14a			x2	2/2
Lj-6		1100	x2	1/2	Lj-14b			x2	2/2
Lj-7		1100	x1	1/2	Lj-29			x1	2/2
Lj-8		1703	x1	2/2	Lj-30			x1	2/2
Lj-9		943.5	x1	2/2	Lj-31			x1	2/2
Lj-9a		943.5	x1	2/2	Lj-32			x7	2/2
Lj-10		960	x1	1/2	Lj-33			x2	2/2
Lj-10a		960	x1	1/2	Lj-34			x92	2/2
Lj-11		1713	x1	2/2	Lj-35		ST4x10mm	x142	2/2
Lj-11a		1713	x1	2/2	Lj-36		M4x10mm	x66	2/2
Lj-12		1270	x1	2/2	Lj-37		M4x10mm	x12	2/2
Lj-12a		1270	x1	2/2	Lj-38		ST4x16mm	x10	2/2
Lj-13			x2	2/2	Lj-39			x3	2/2
Lj-14		165	x2	2/2	Lj-40			x6	2/2
Lj-14c		400-160-70N	x2	2/2	Lj-41		500	x2	2/2
SUPERIOR									
Lj-15		1010	x1	1/2					
Lj-15a		1010	x1	1/2					
Lj-16		1010	x1	1/2					
Lj-17		1010	x1	2/2					
Lj-17a		1010	x1	2/2					
Lj-18		1724	x1	2/2					
Lj-19		1724	x1	2/2					
Lj-20		1720	x1	2/2					
Lj-21		1058.5	x2	2/2					
	PUERTA								
Lj-22		1259	x2	1/2					

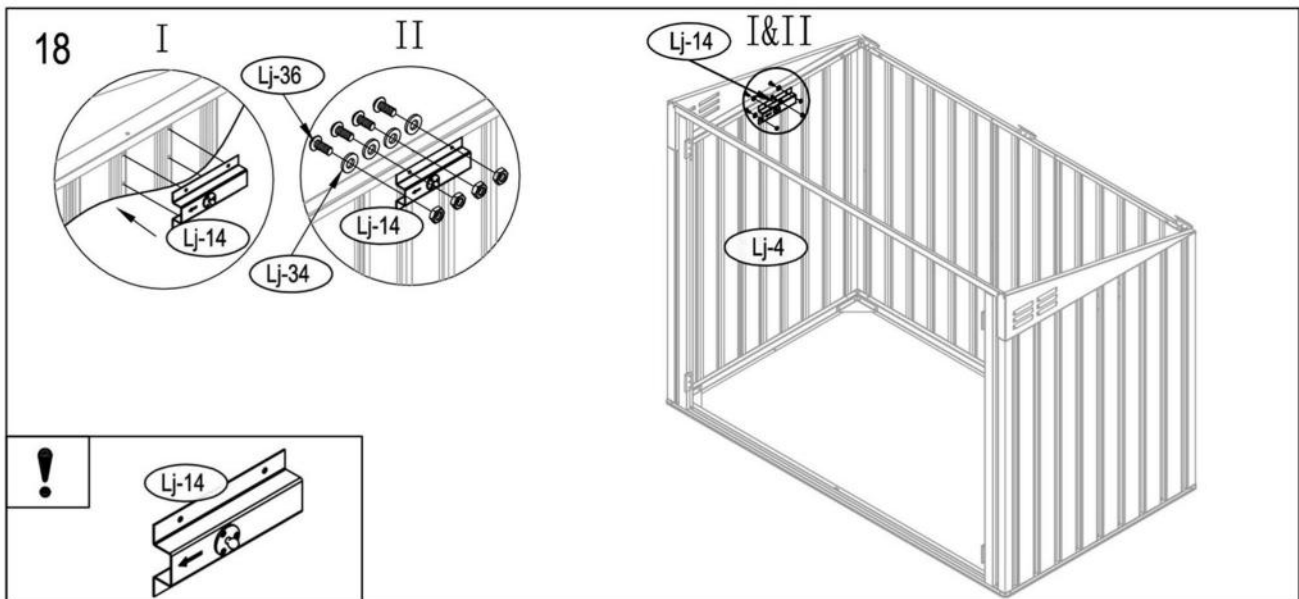
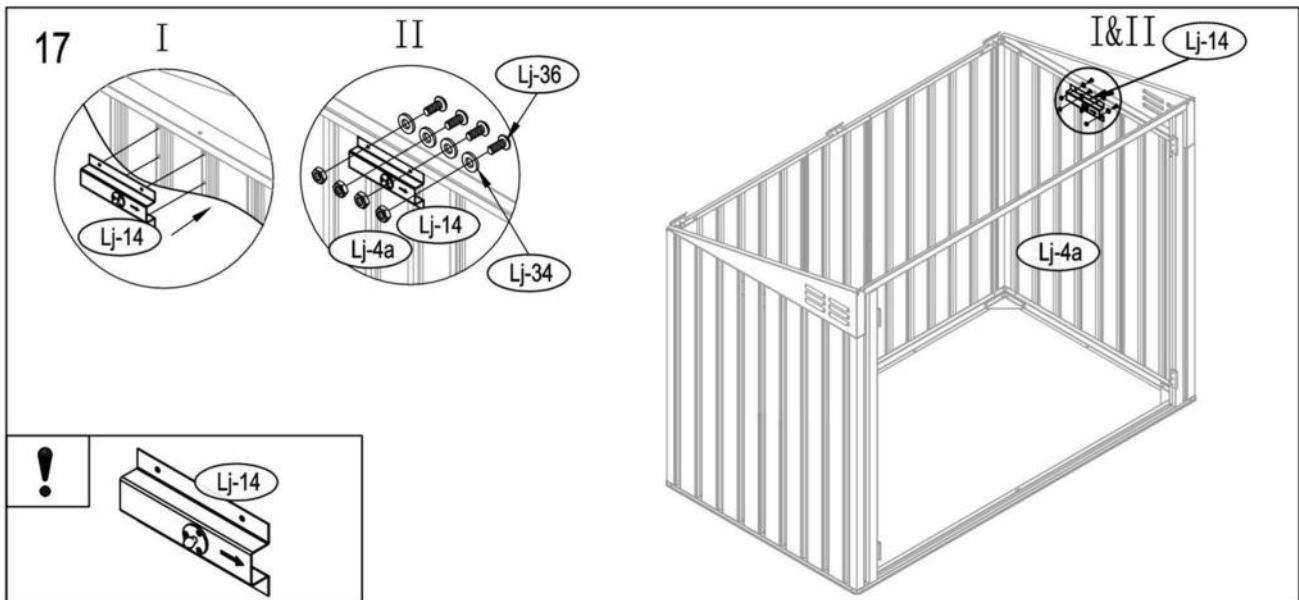
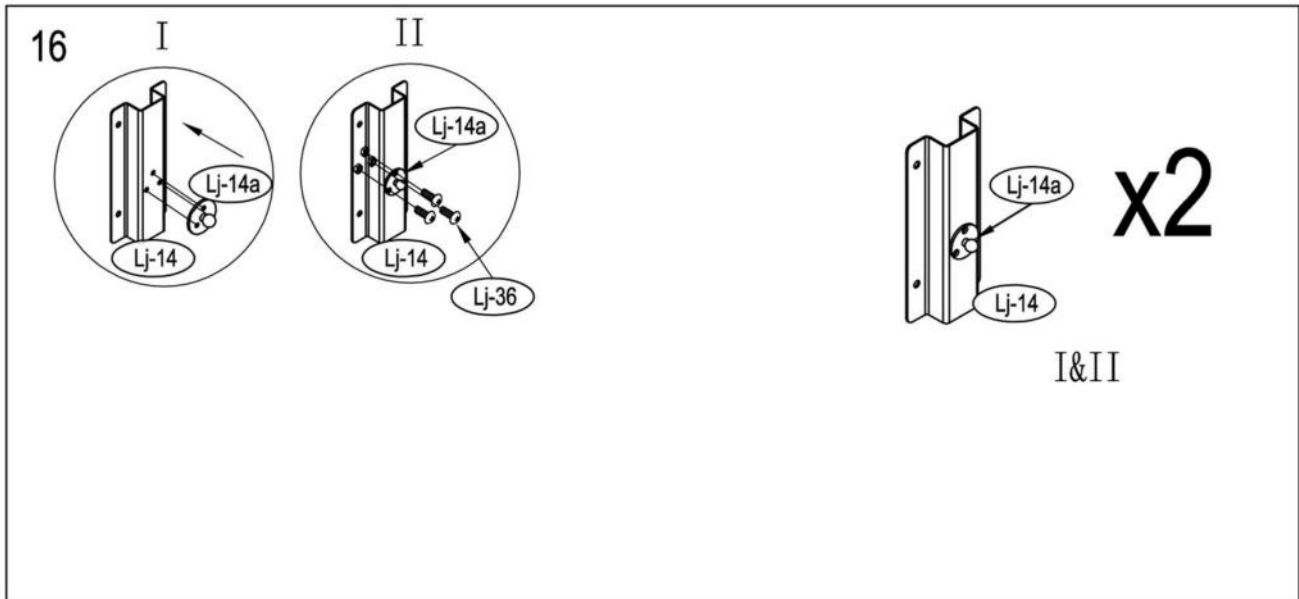


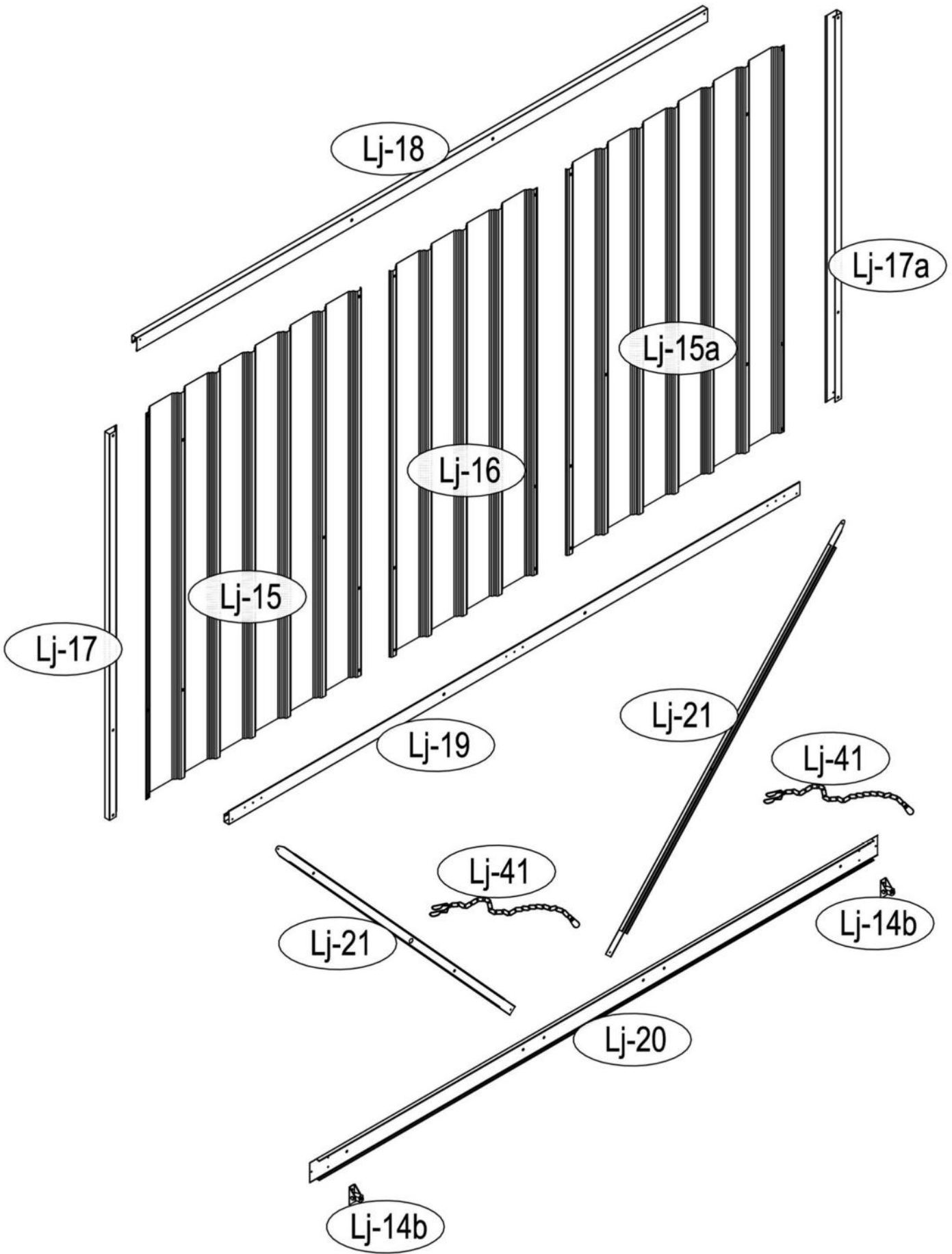


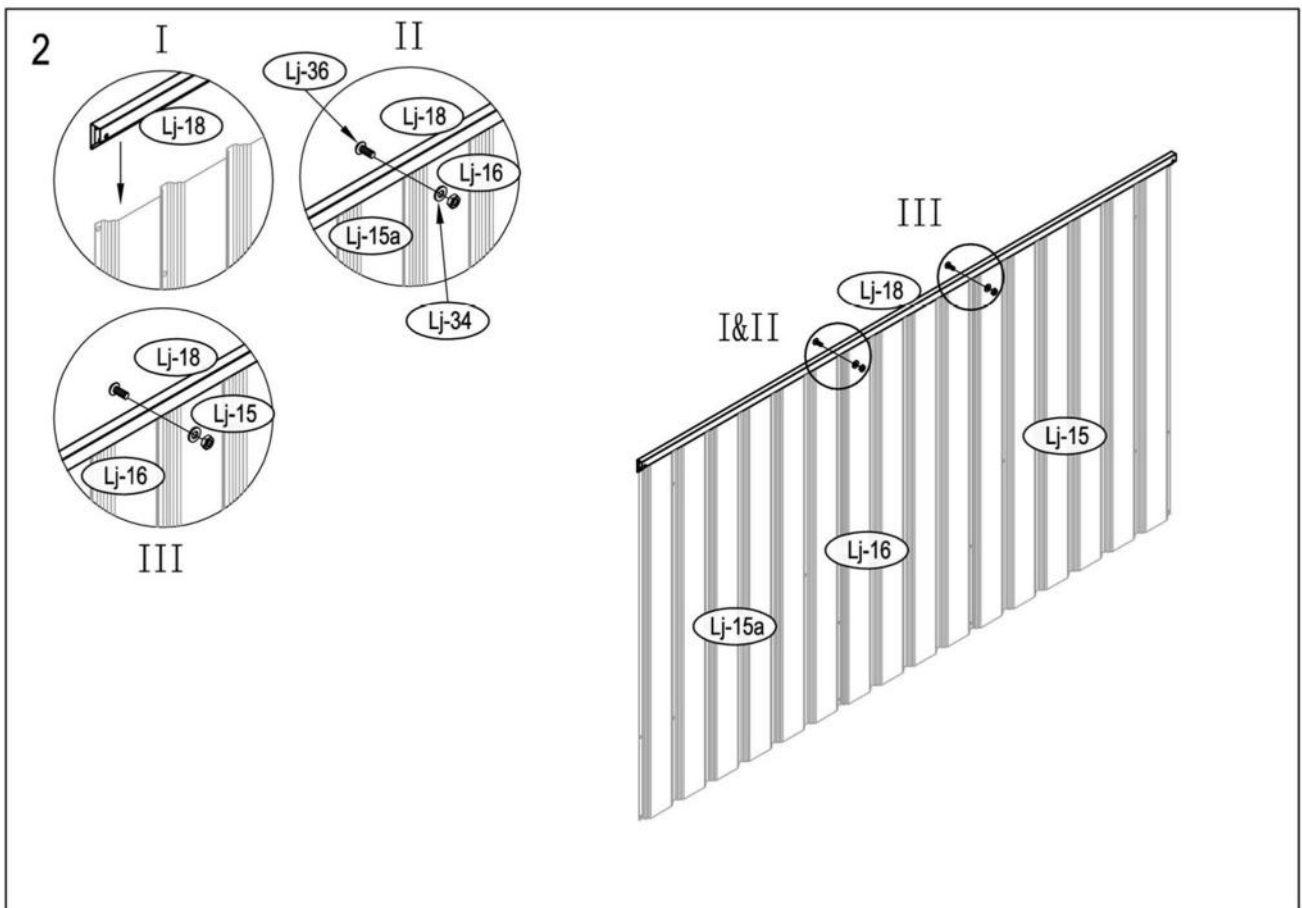
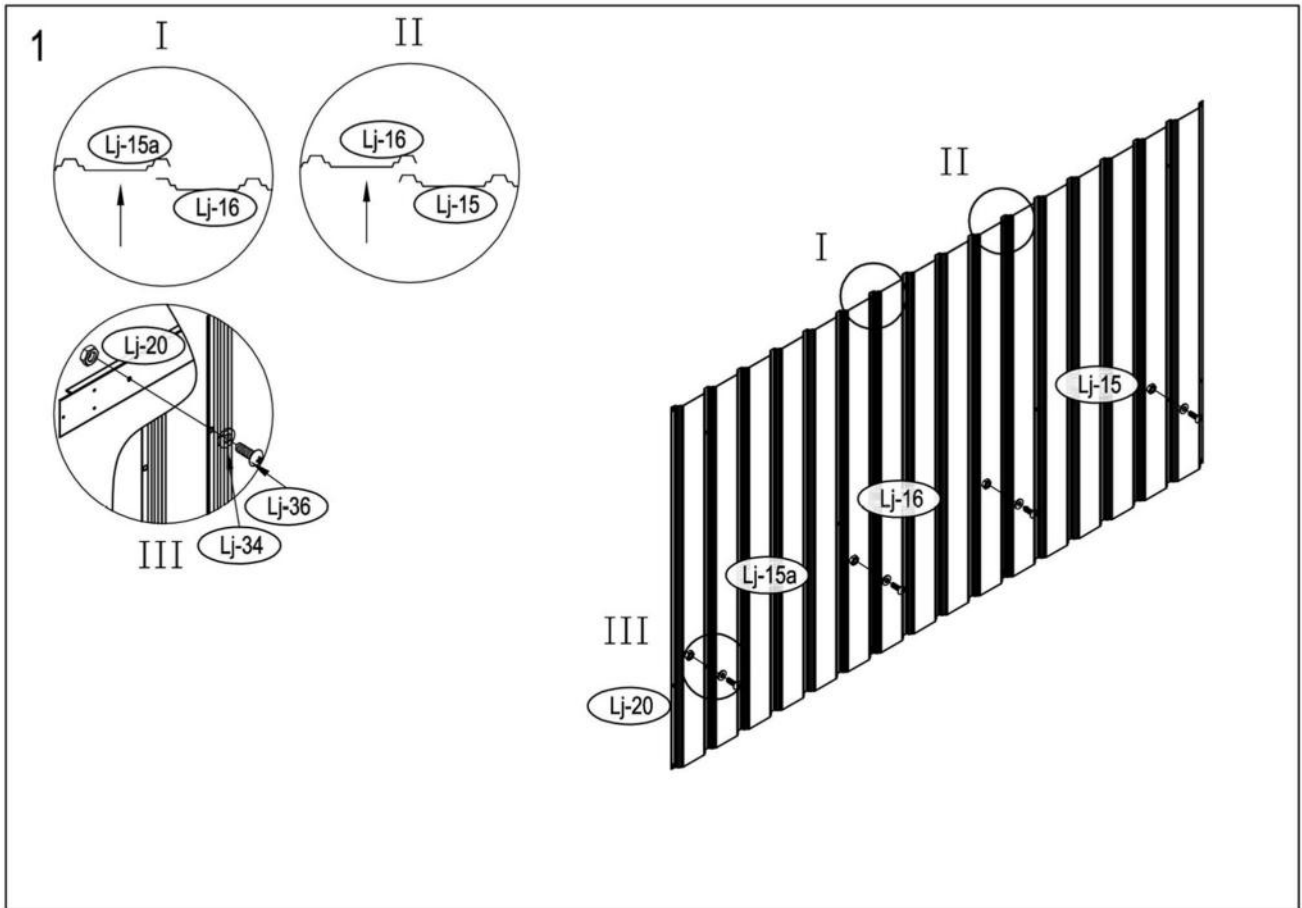


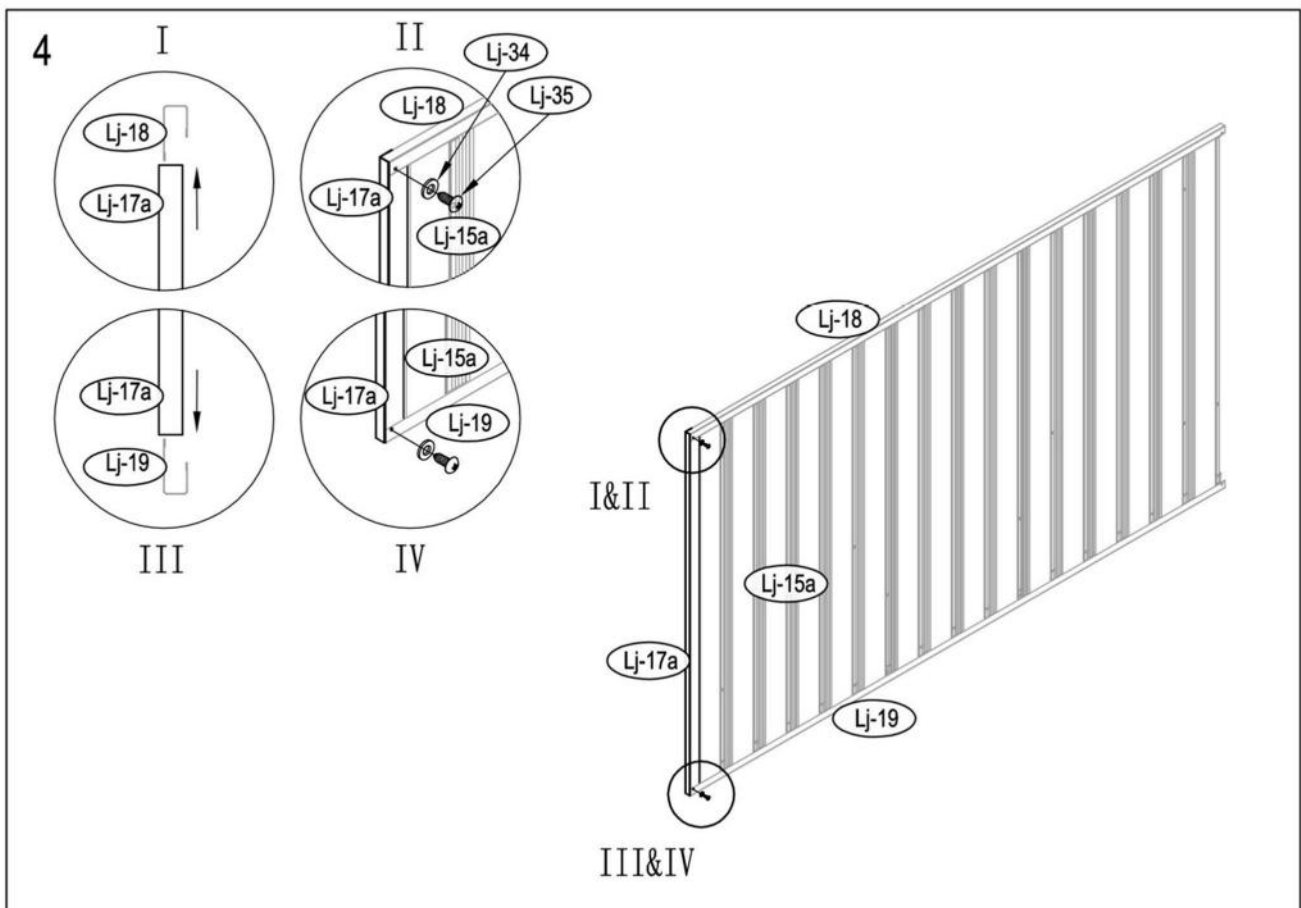
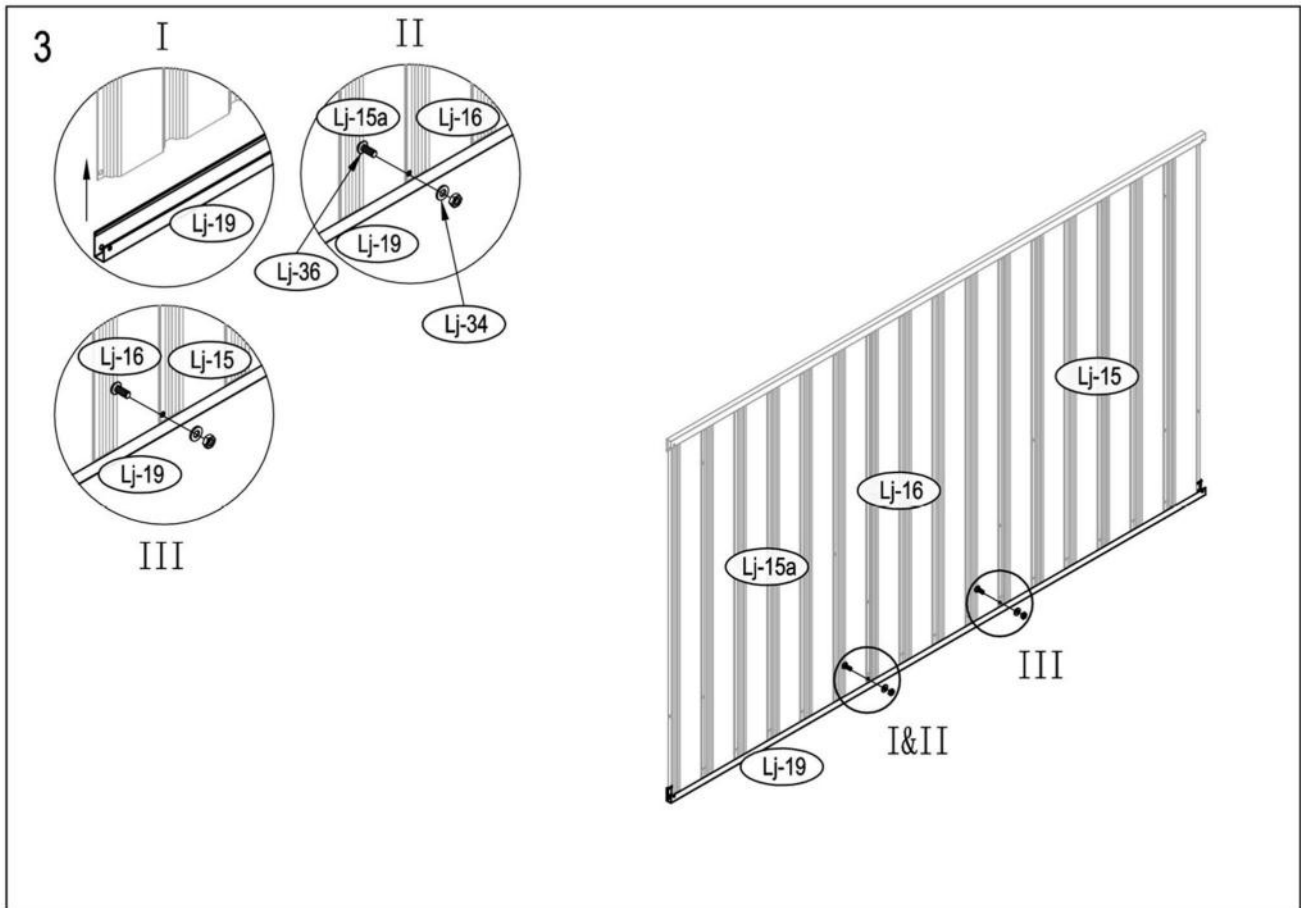


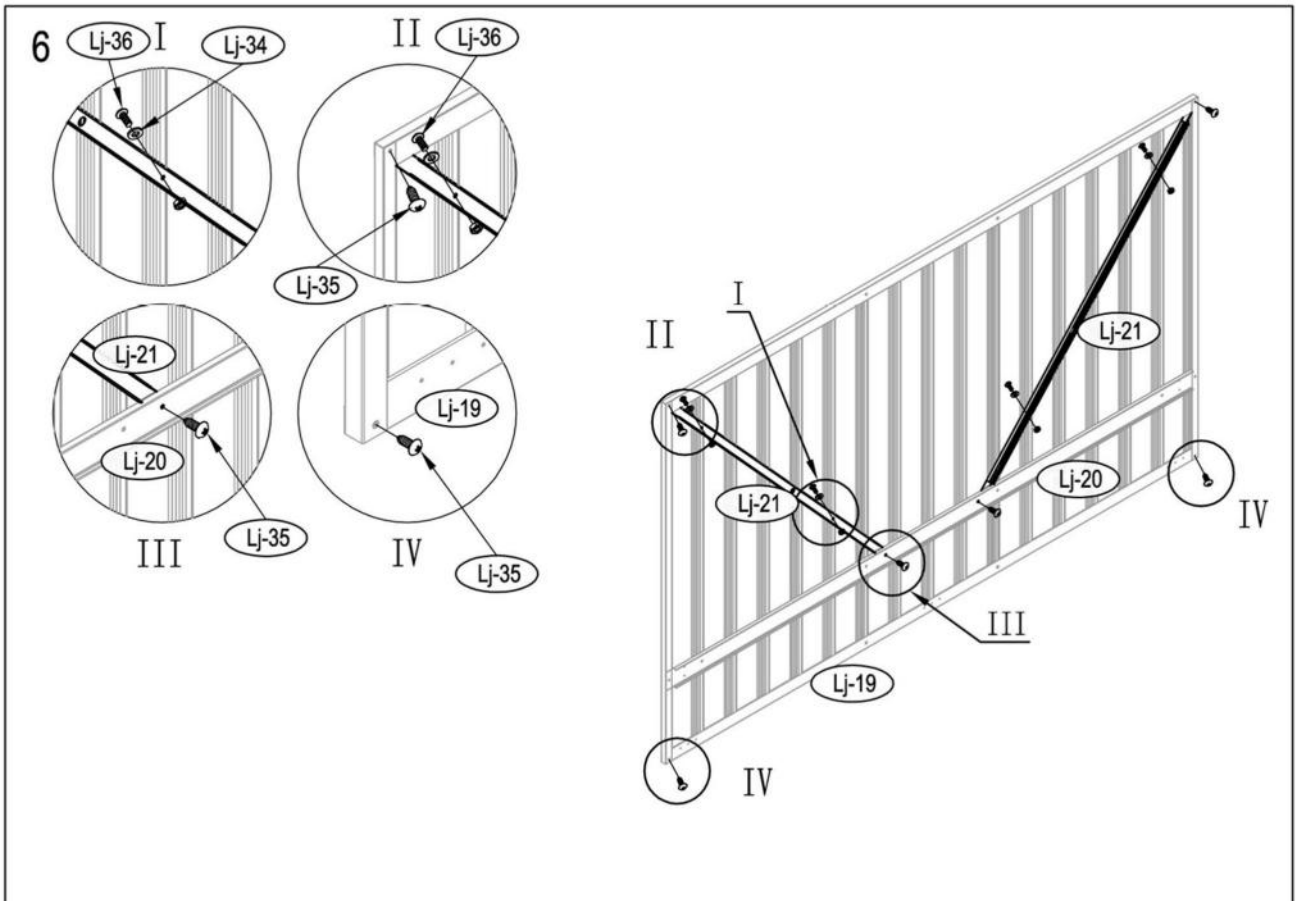
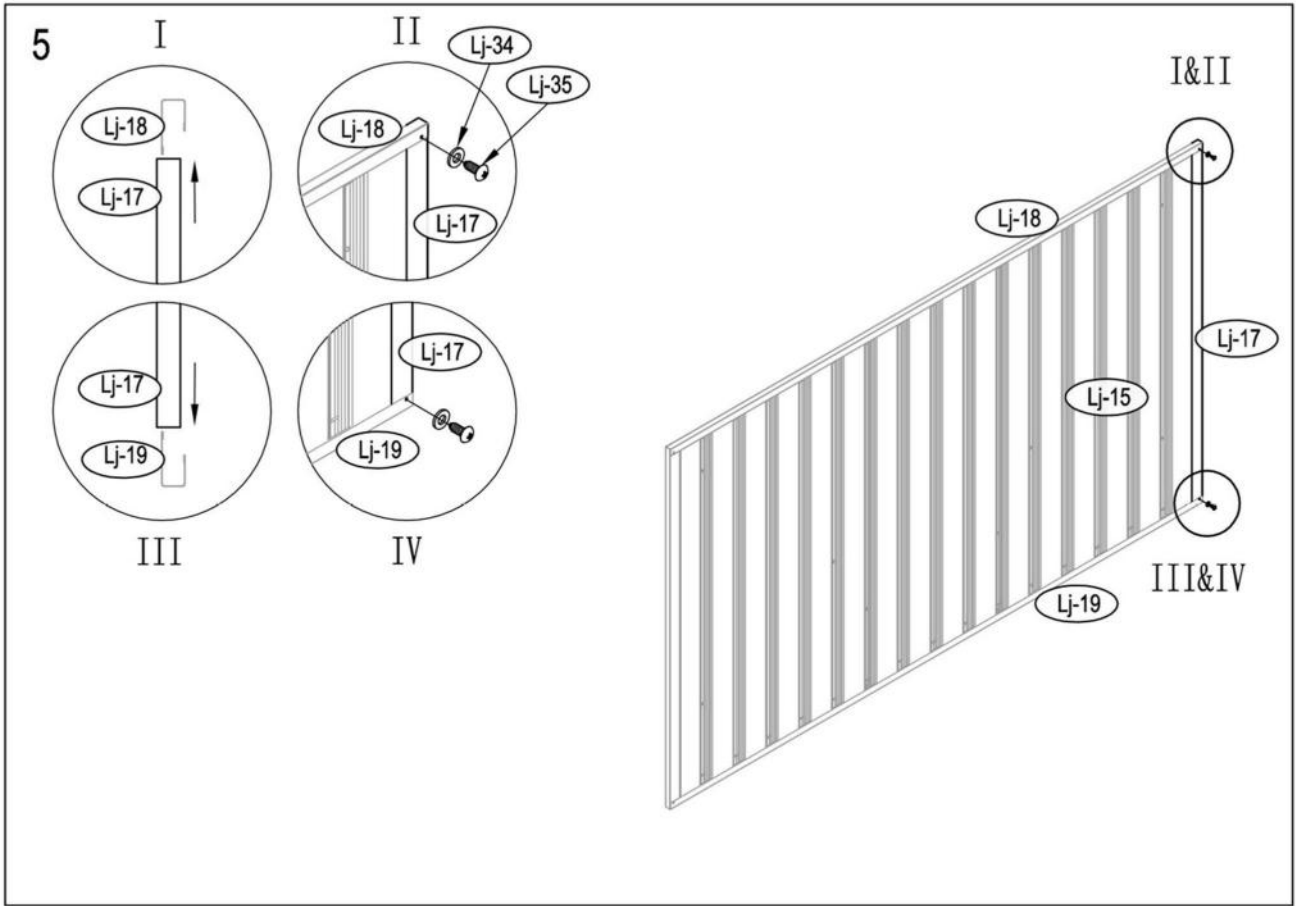


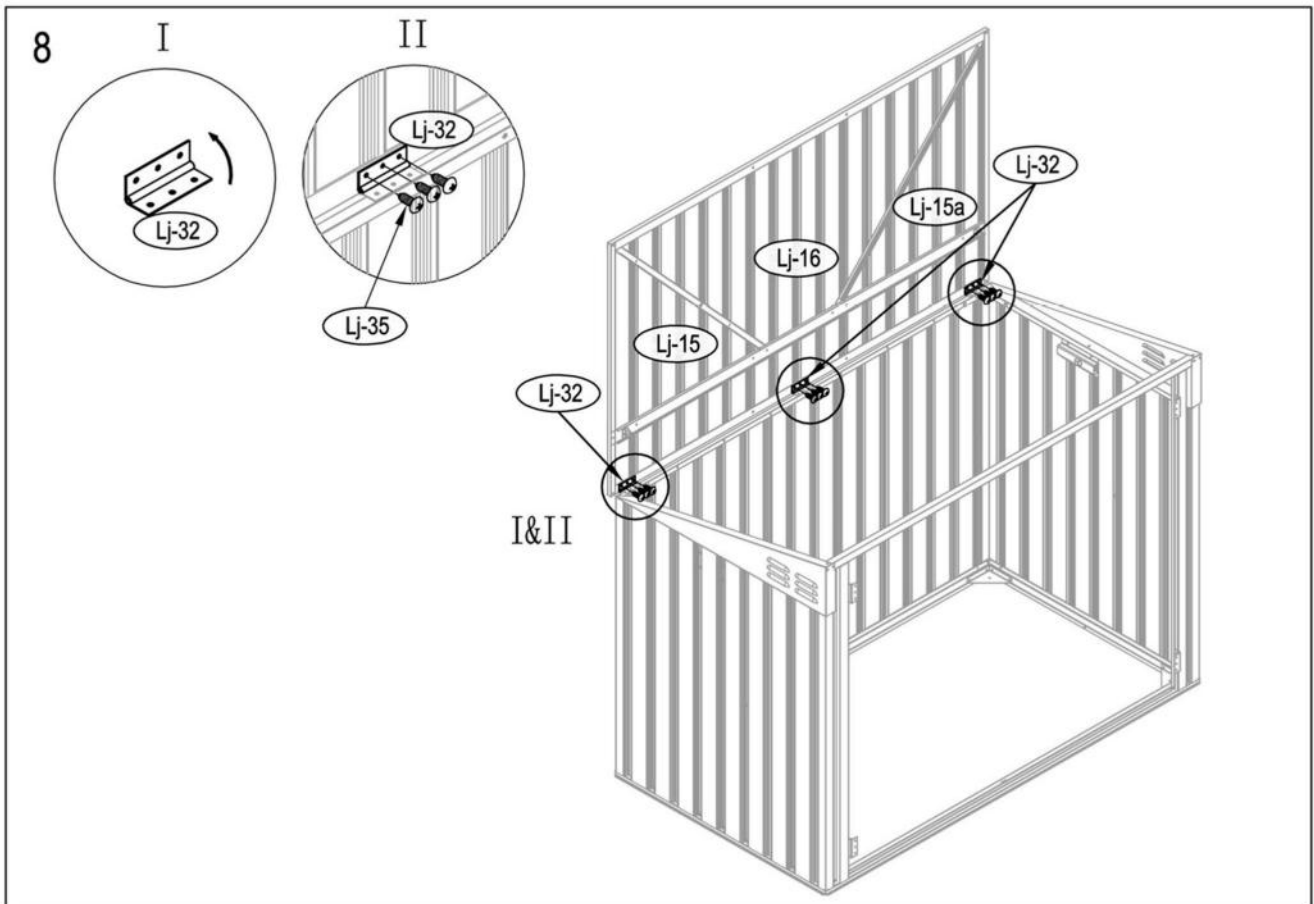
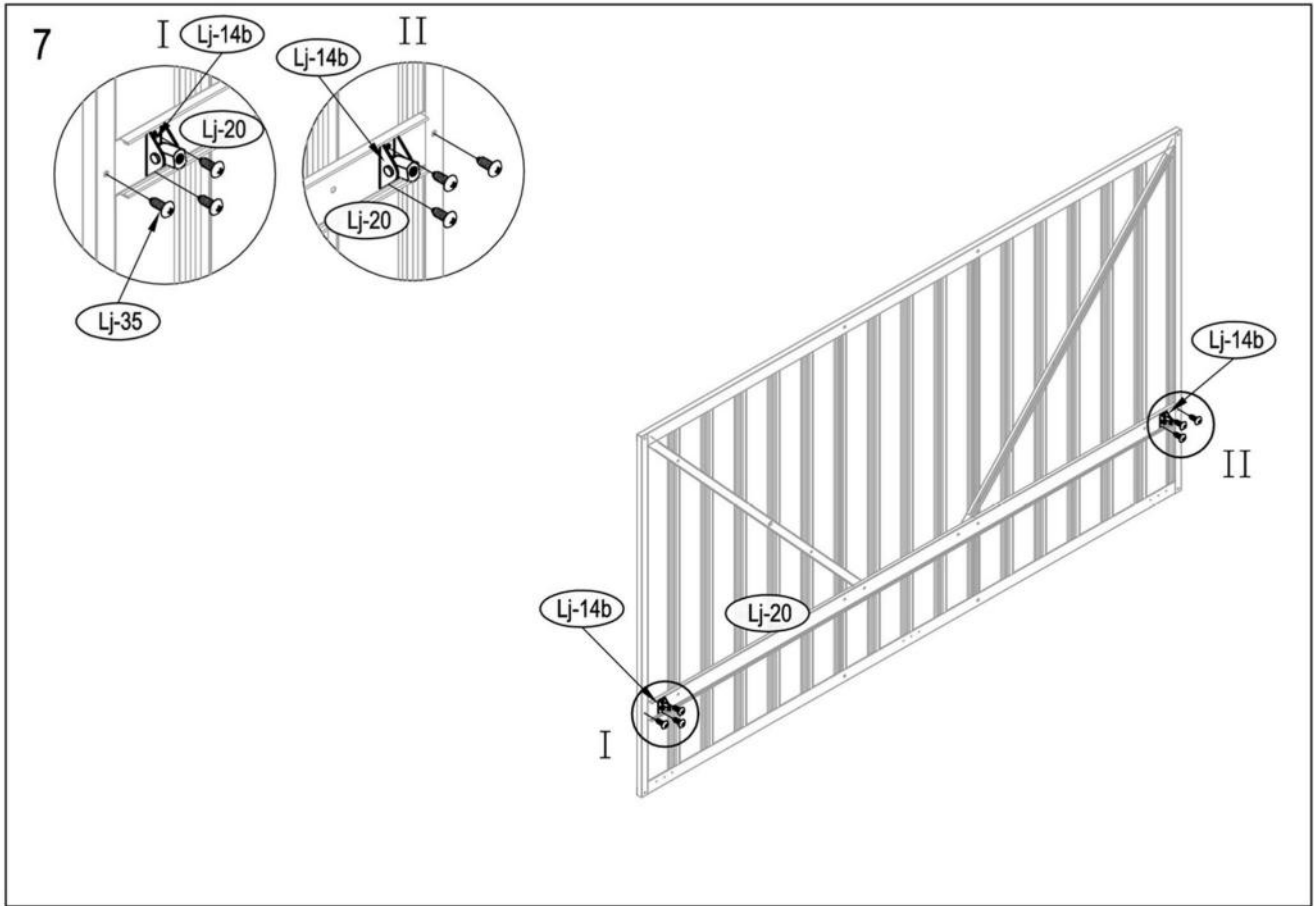




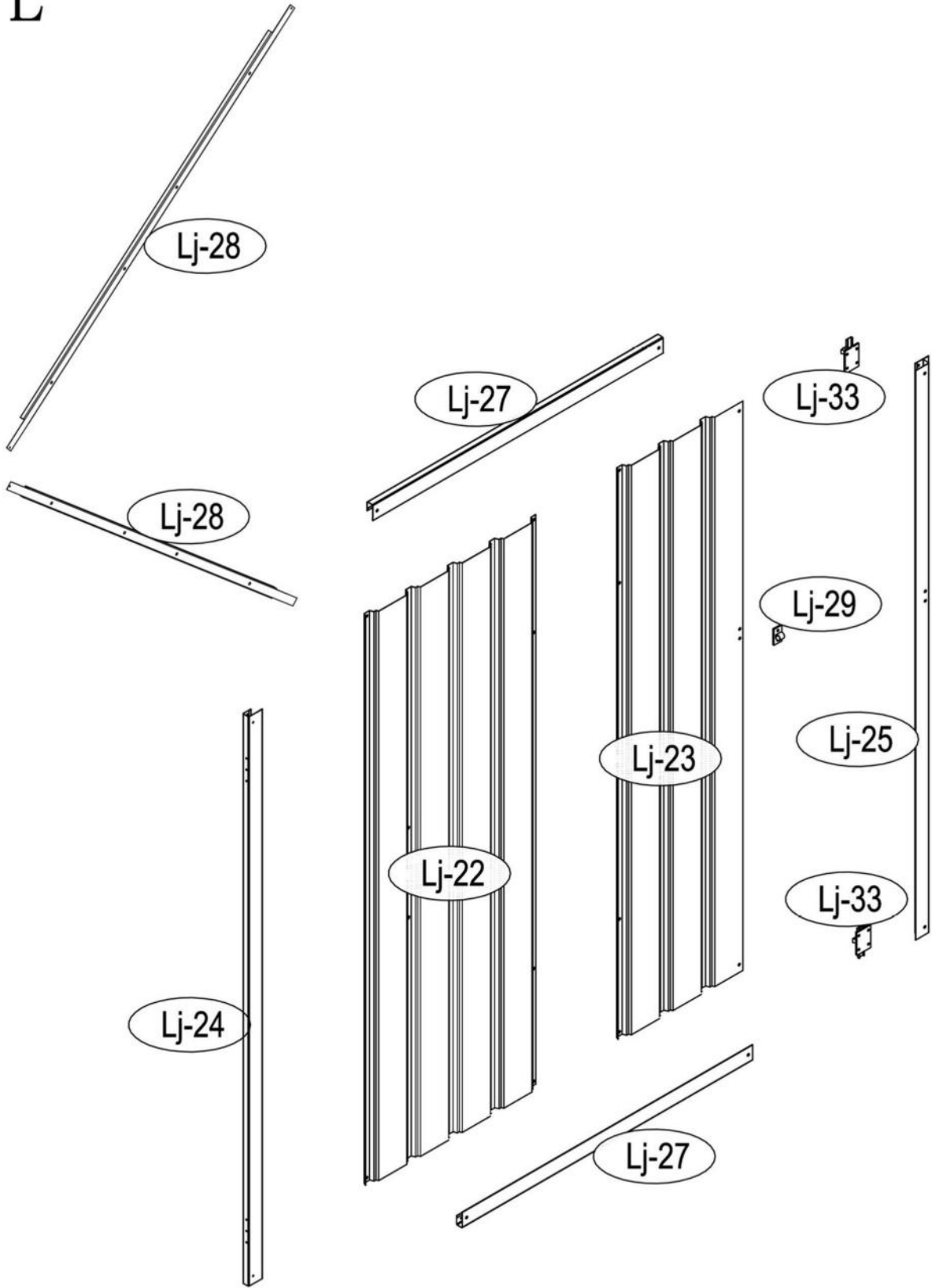


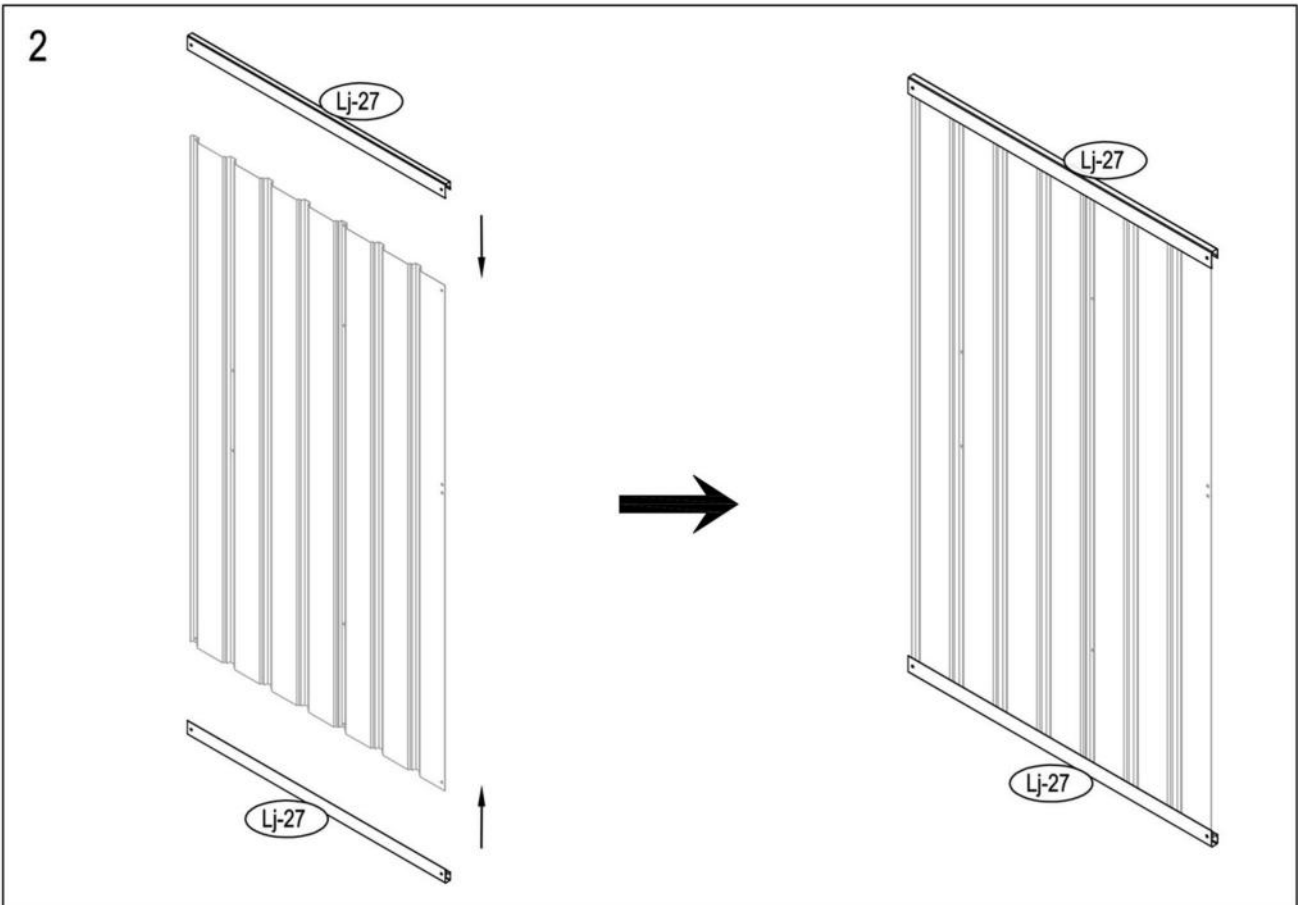
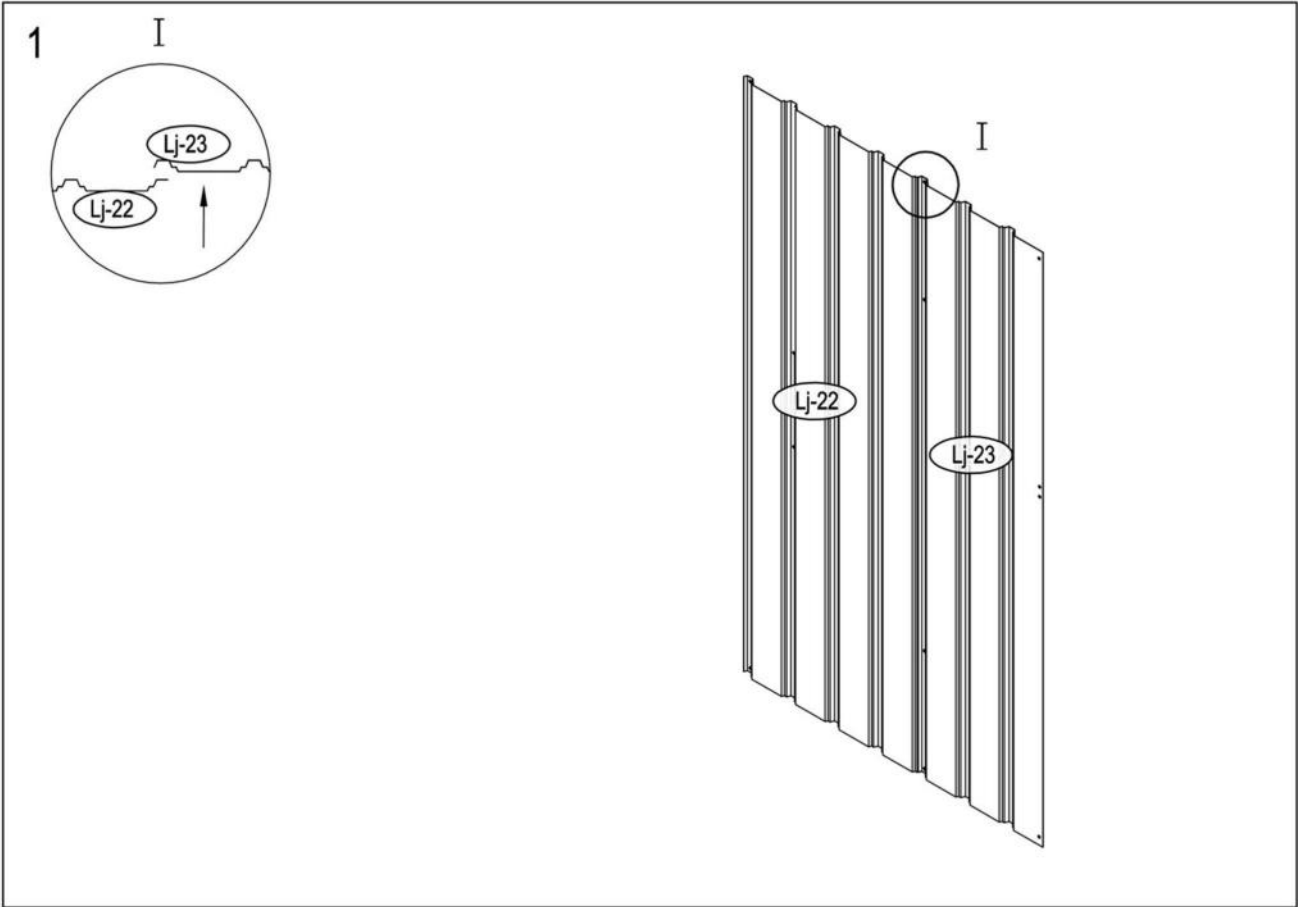


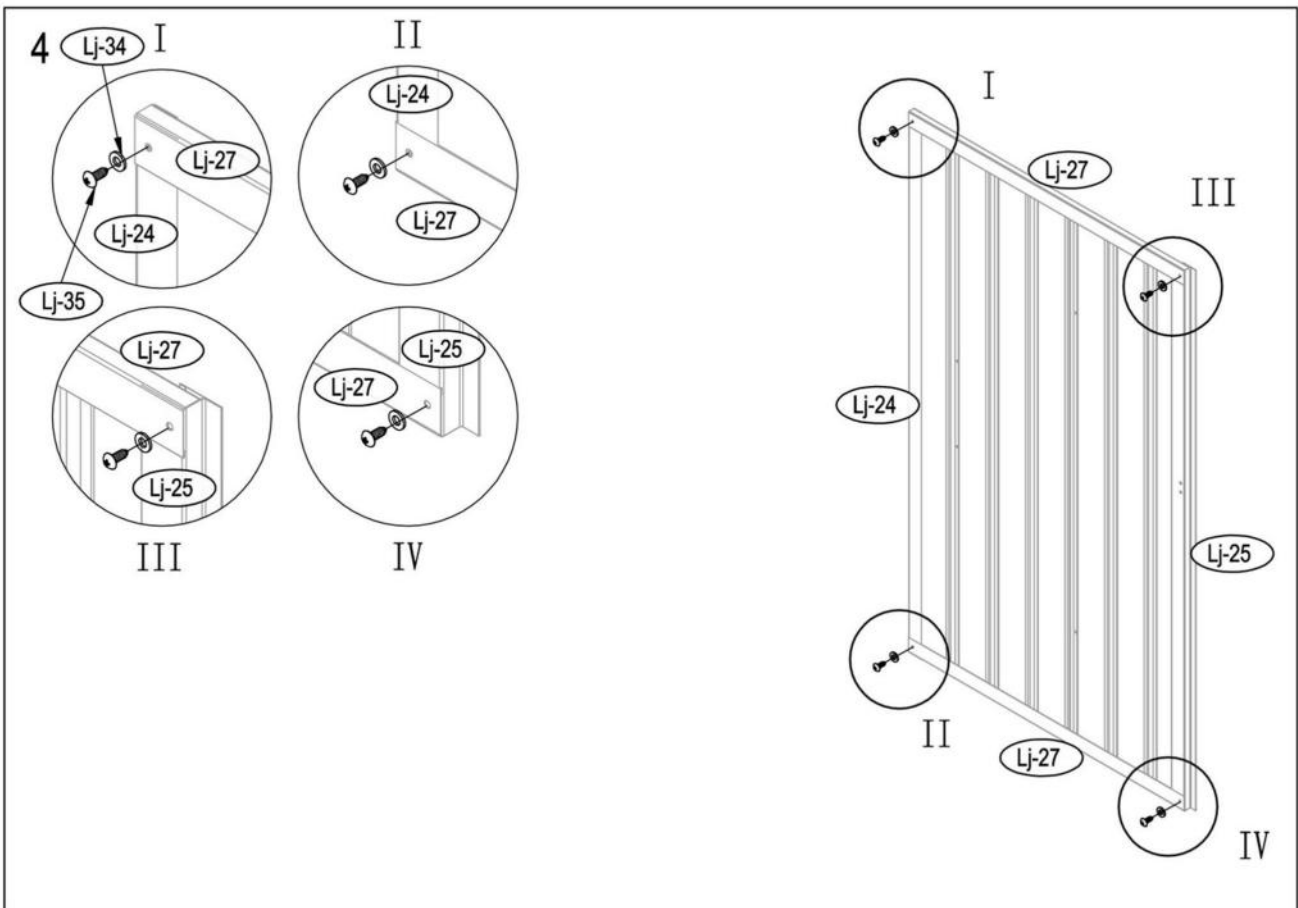
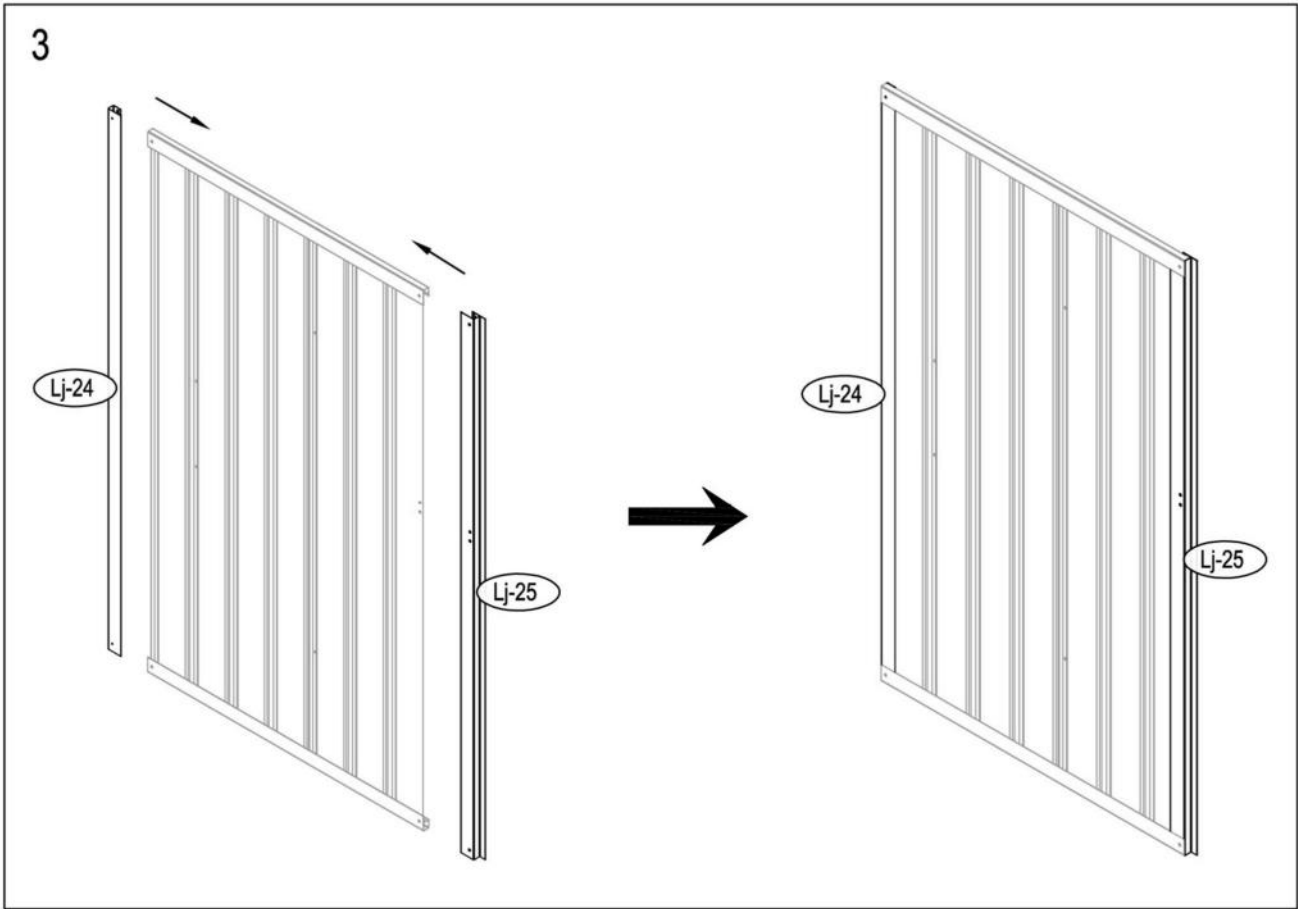


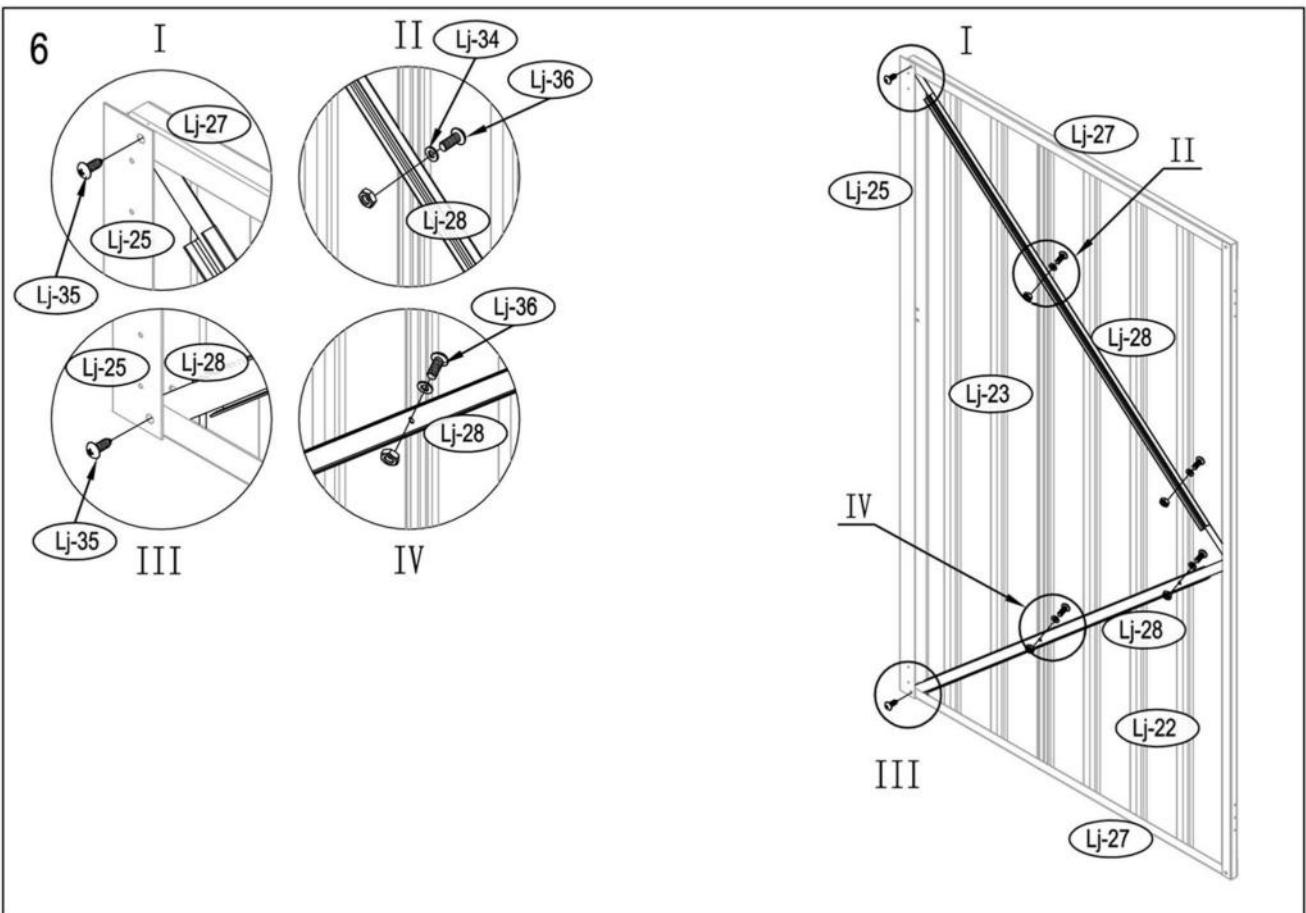
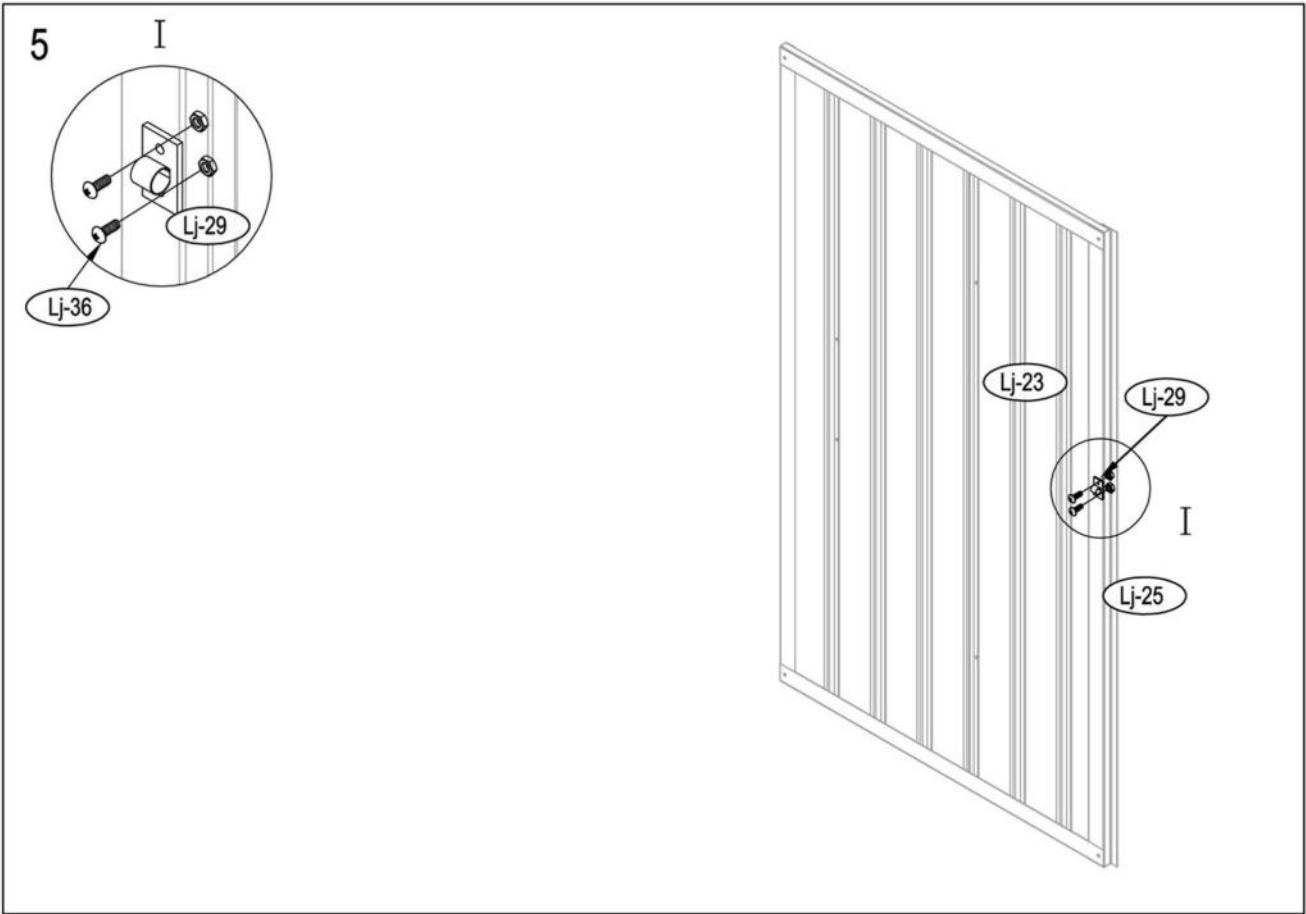


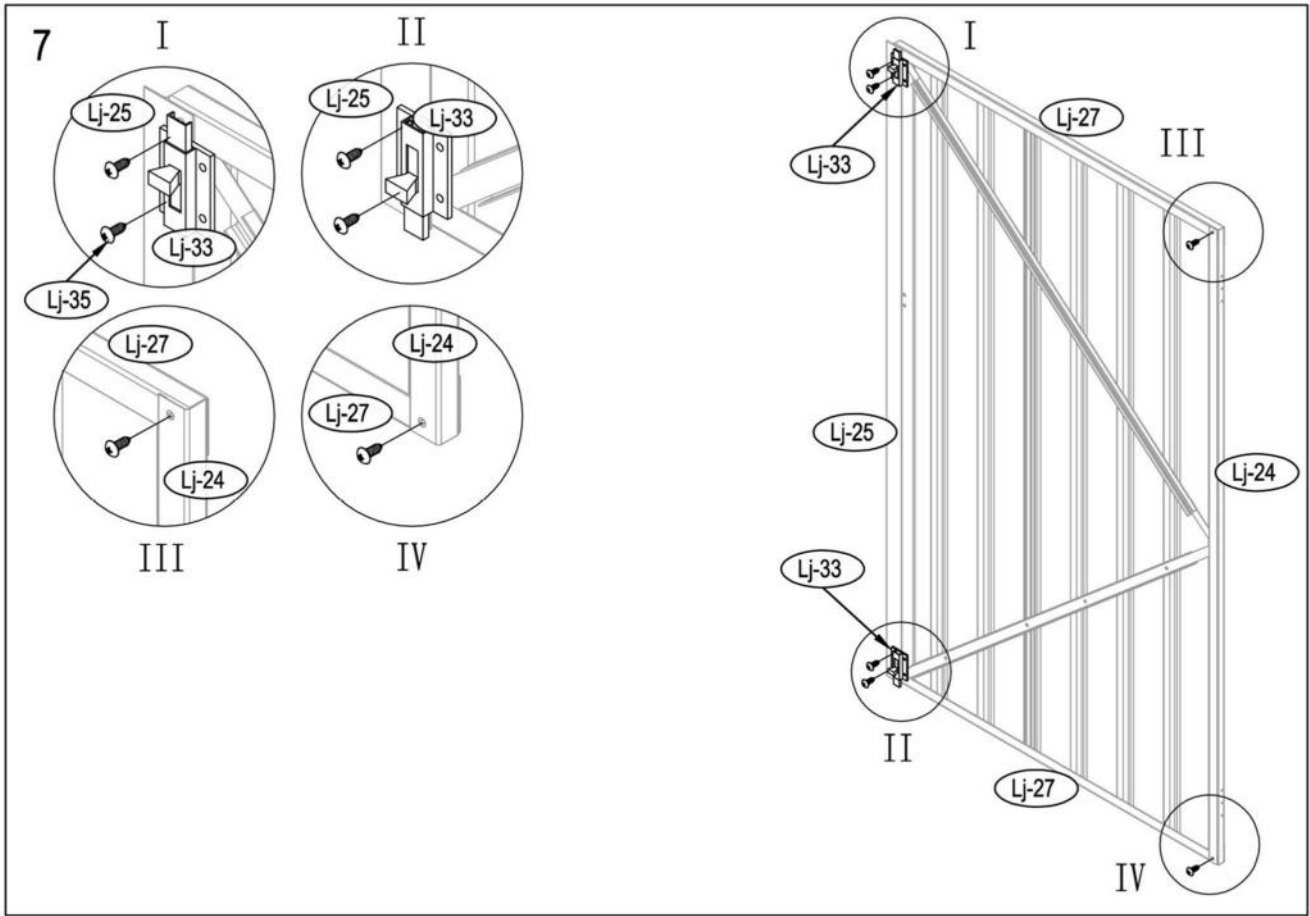
L



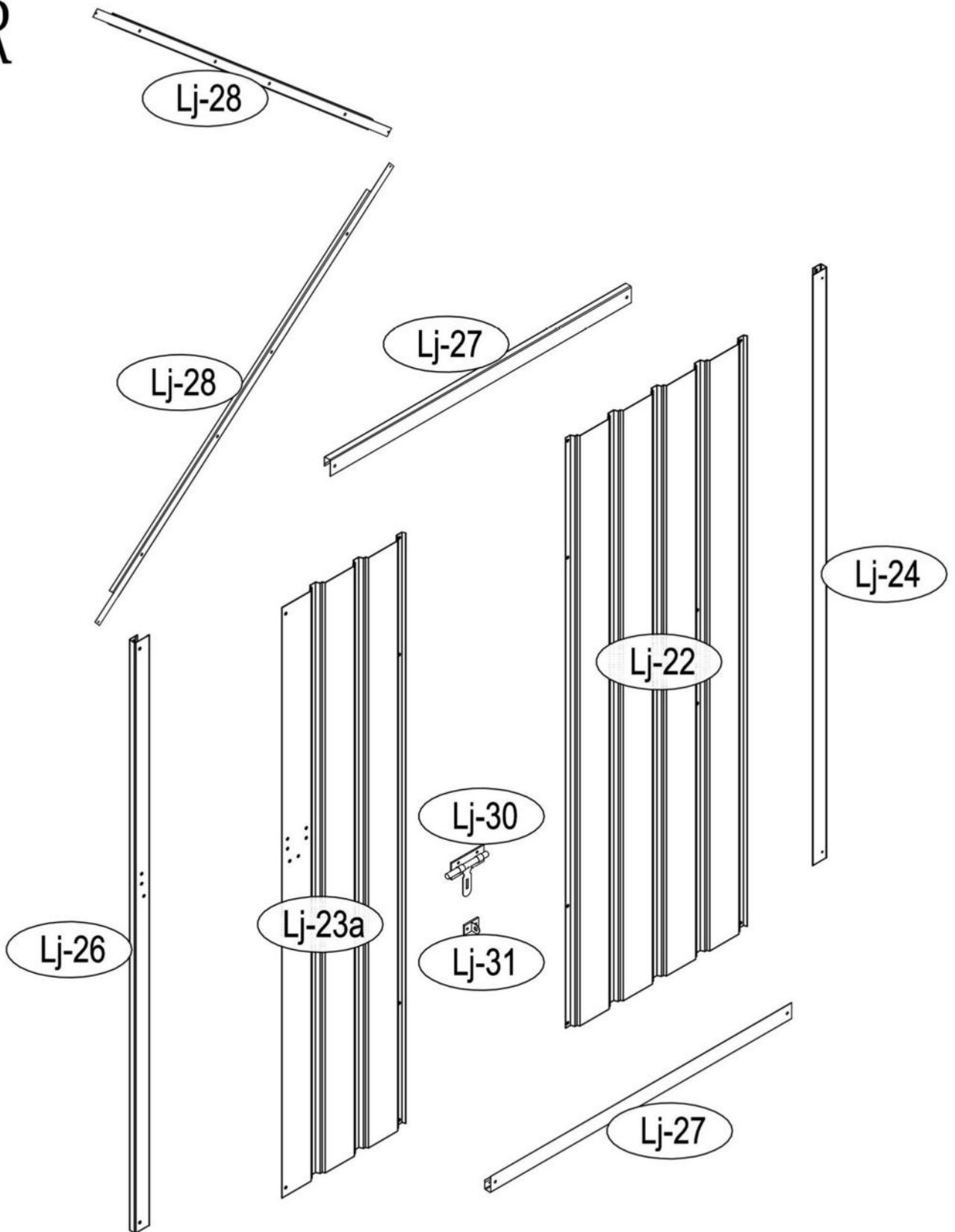


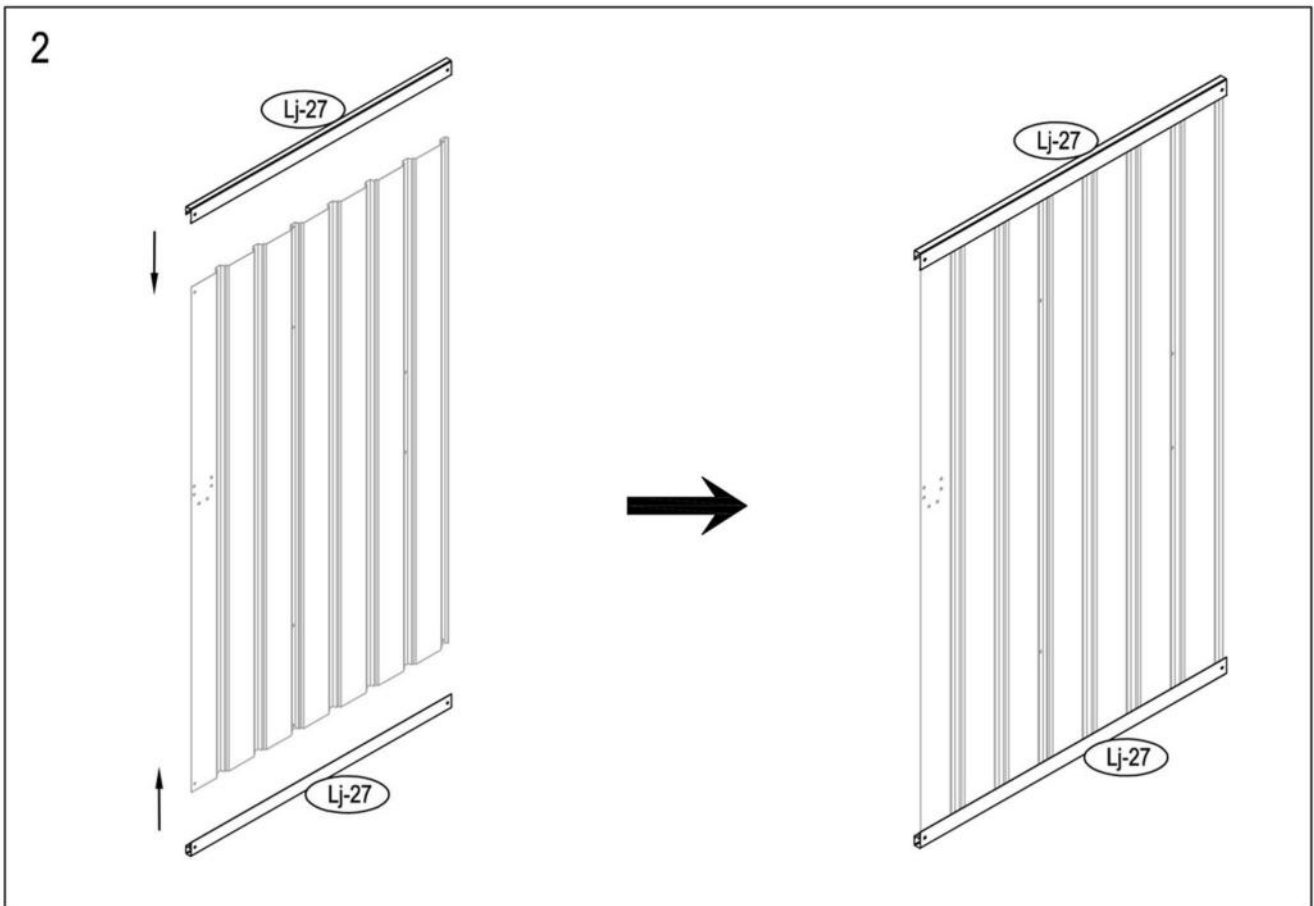
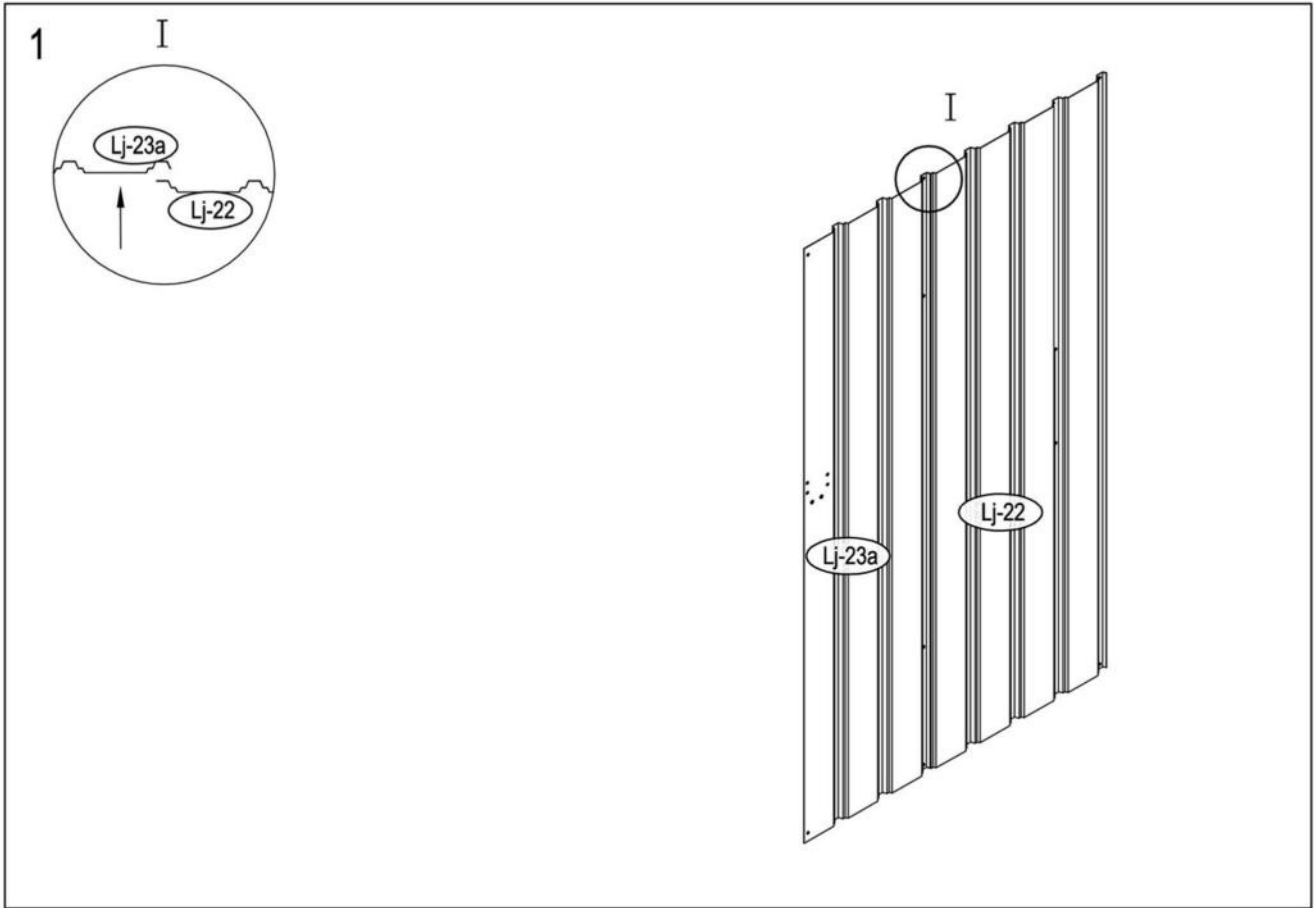


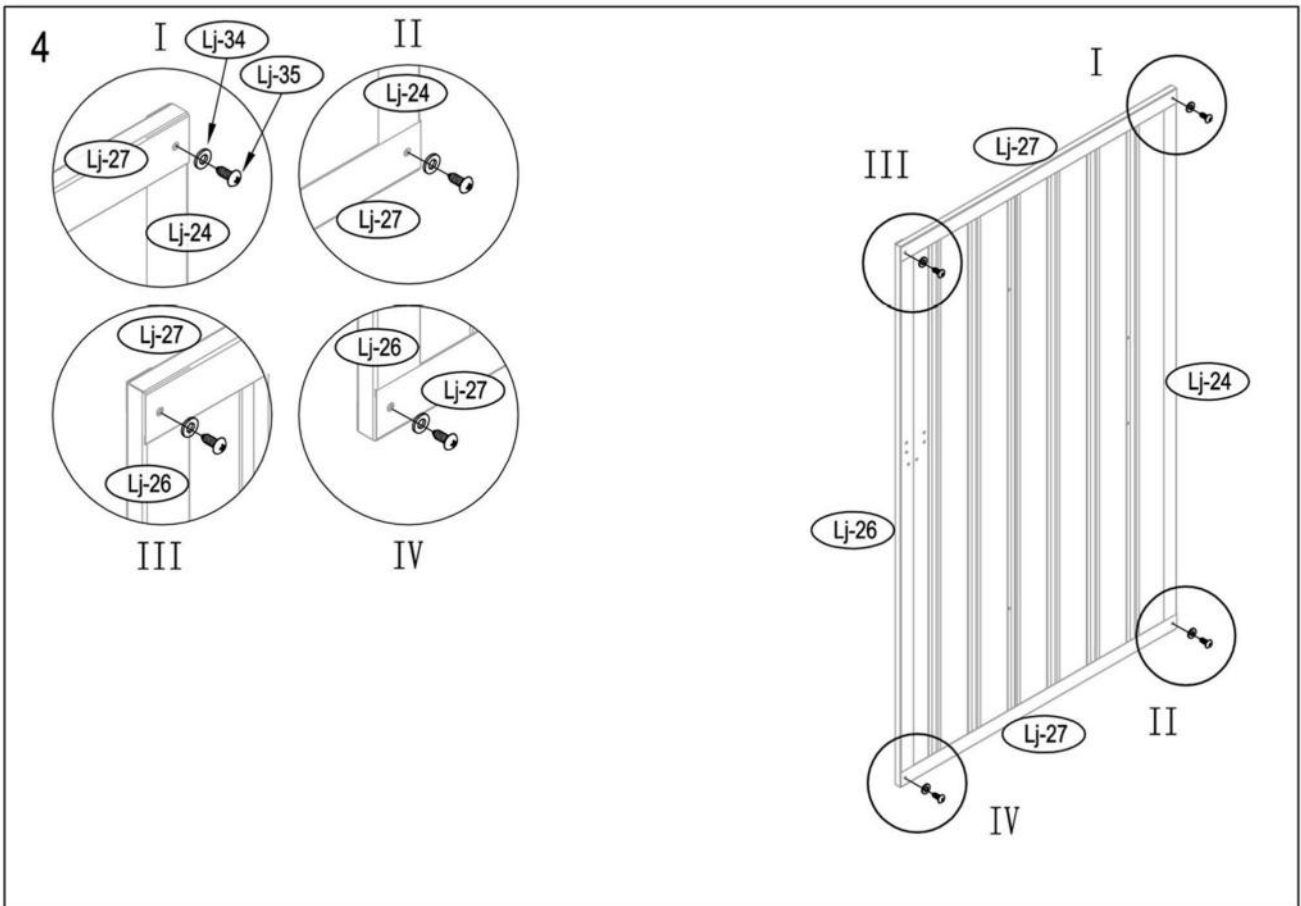
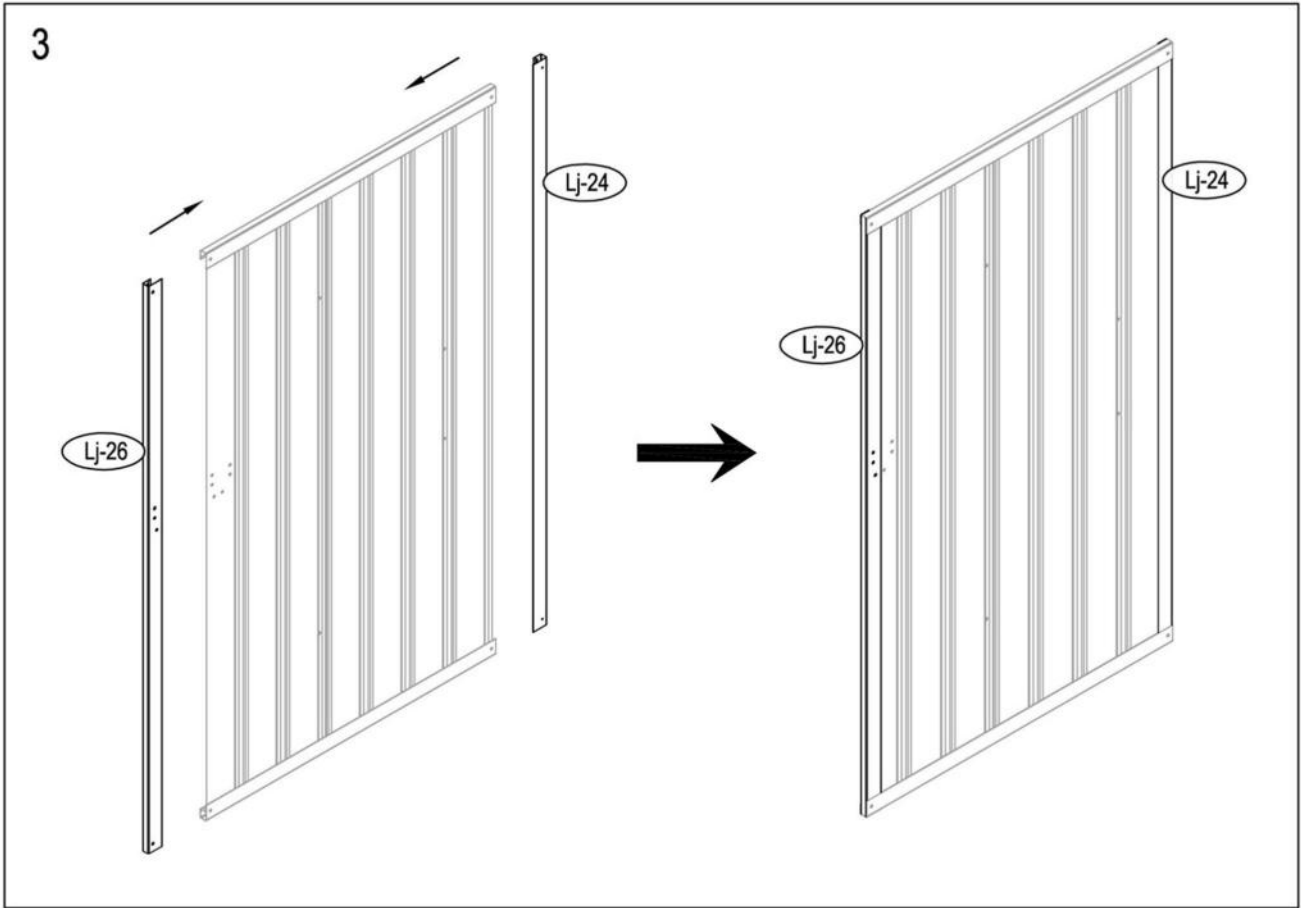


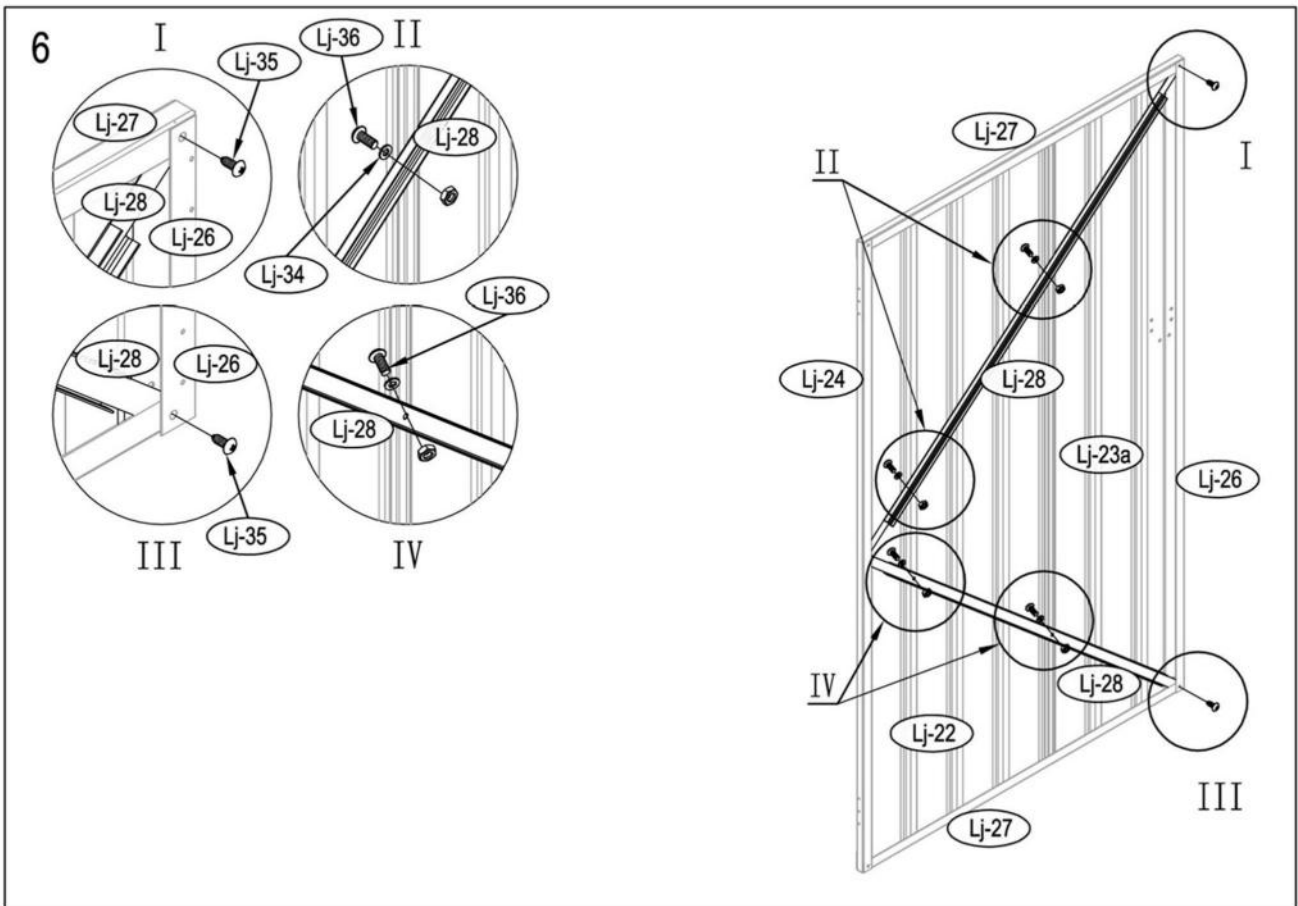
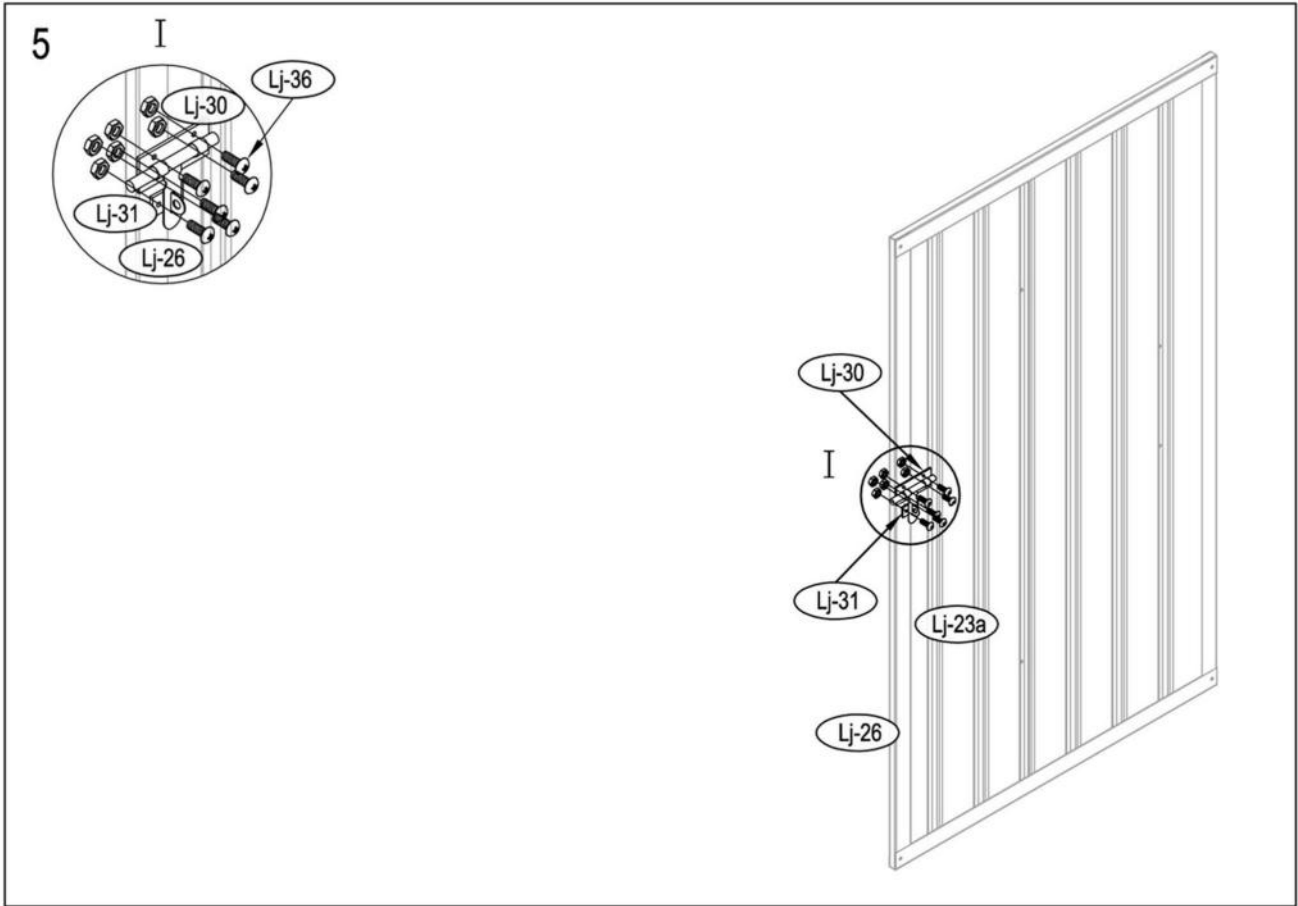


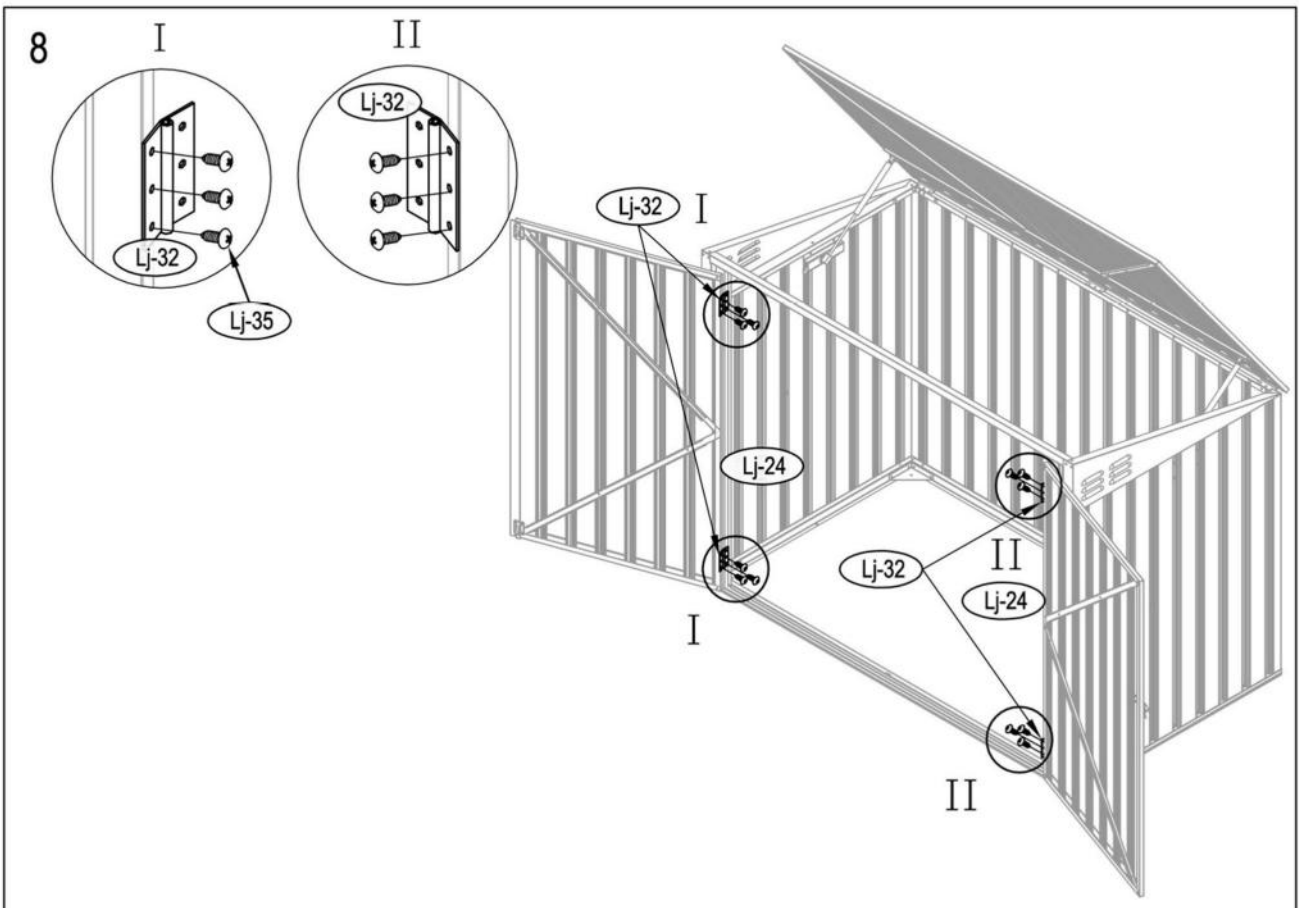
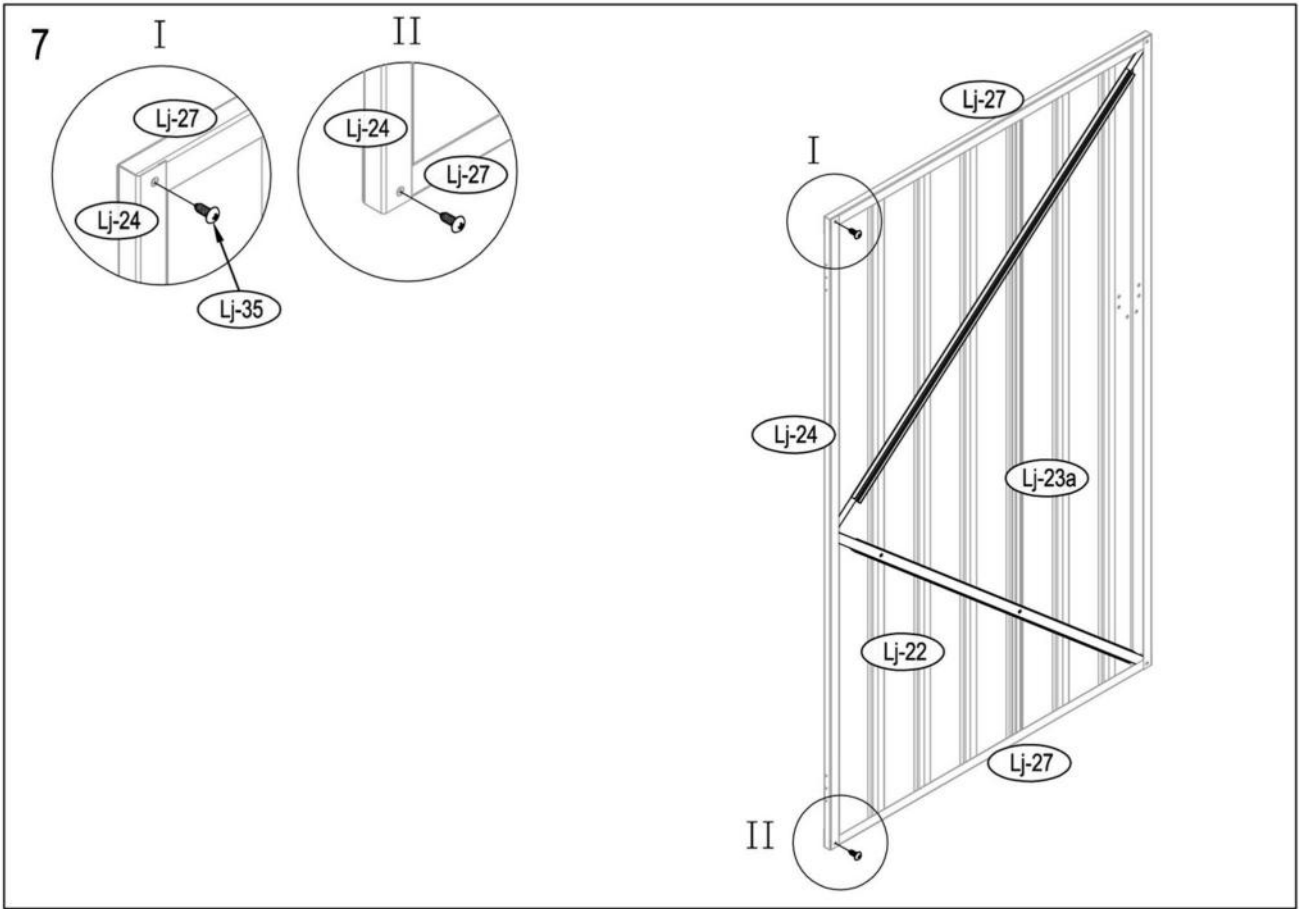
R



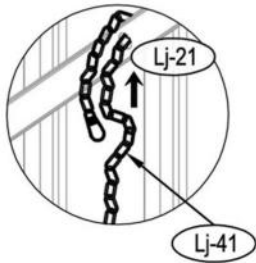
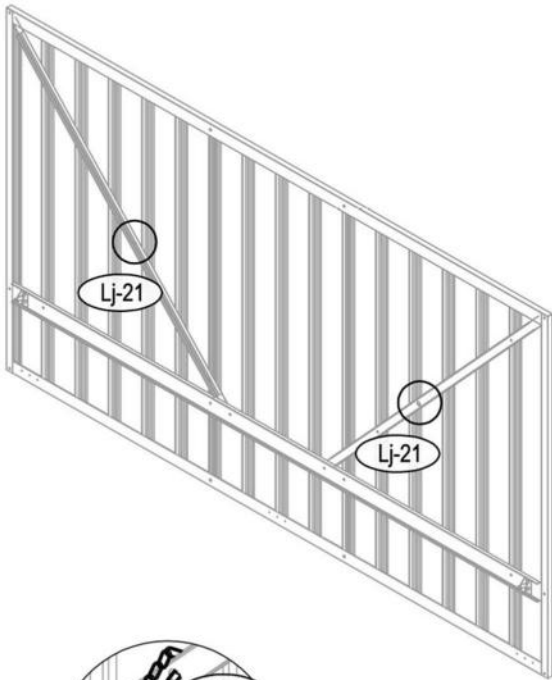




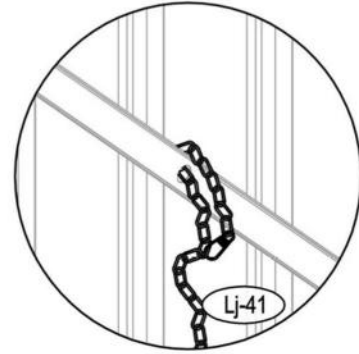
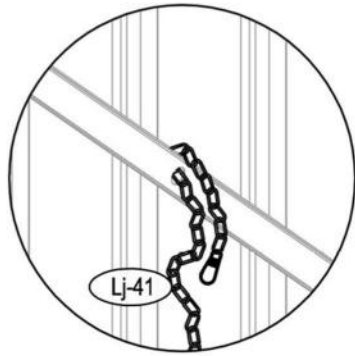




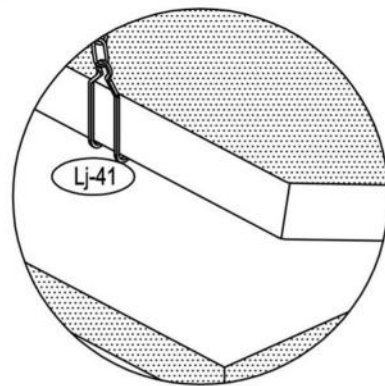
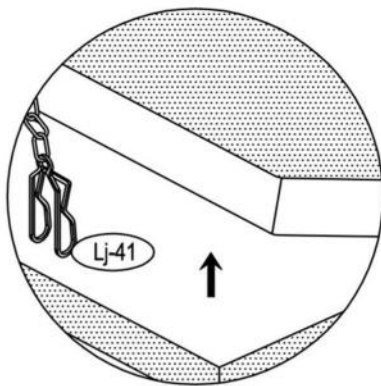
9



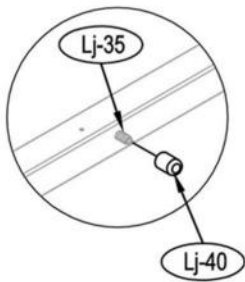
10



11



12



13

