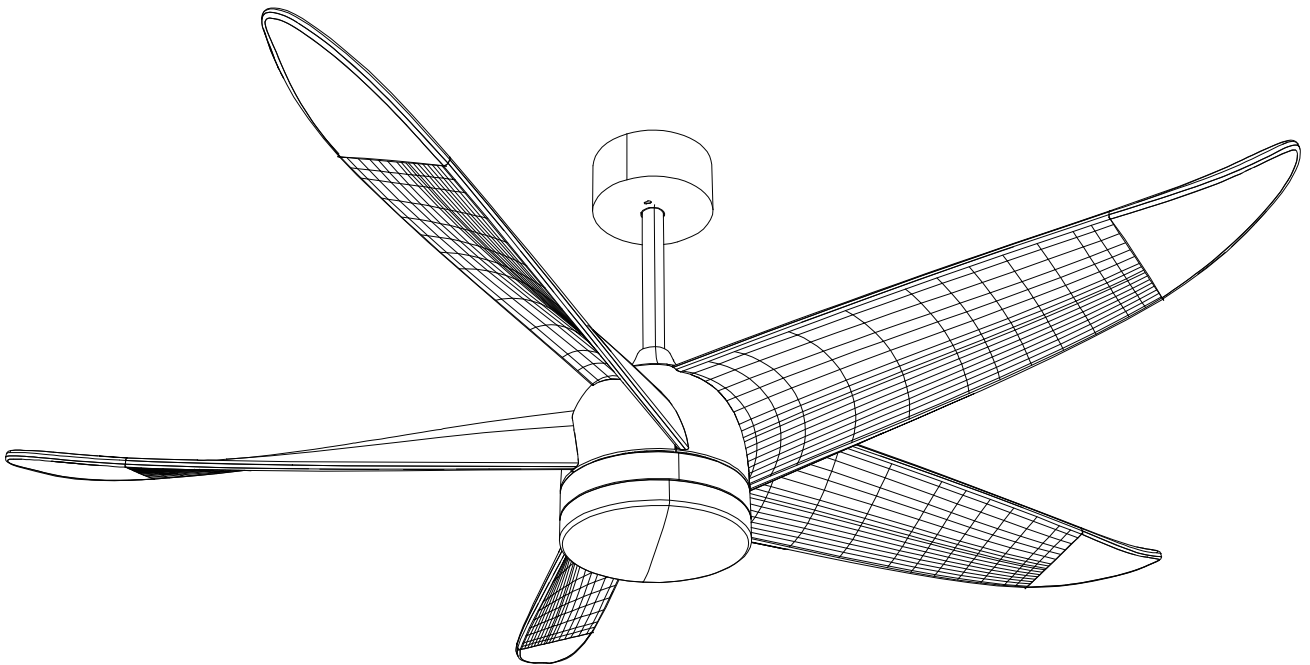




Simple Life , Better Home

# User Manual

## CEILING FAN



MODEL NO. : 9200

+1888 666 9122

customerservice@povison.com



PovisonOfficial



Povison



povisonofficial



Povison



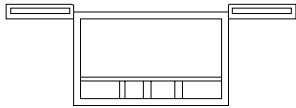
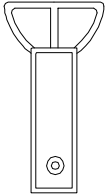
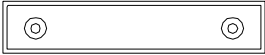
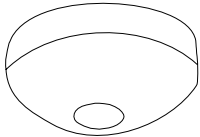
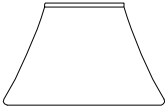
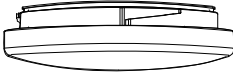
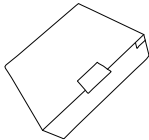
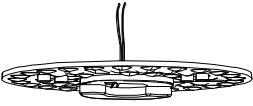
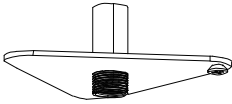

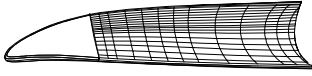
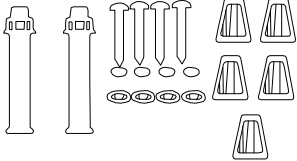
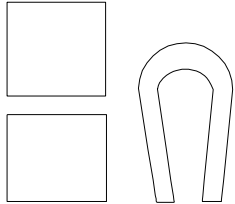
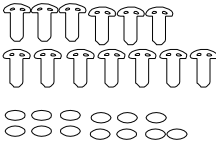
Povison Official



Povison

# 9200

## Packing List:

		
<p>Hanger bracket</p>	<p>5 inch downrod</p>	<p>10 inch downrod</p>
		
<p>Canopy</p>	<p>Decorative cover</p>	<p>Translucent lampshade</p>
		
<p>Remote controller</p>	<p>Lighting</p>	<p>Light hanger</p>
		
<p>Light chassis</p>	<p>Fan blade</p>	<p>Expansion screws</p>
		
<p>Balance package</p>	<p>Blade screw</p>	

# 9200

---

## Specification

---

Material	Metal + ABS
Color	White/Black
Weight	8.1KG
Motor Power	35W
Number Of Blades	5
Light Source Power	18W
Size	60*60*21.7"/60*60*26.6" in
Color Temperature	3000k-4500k-6500k
Luminous flux	1500lm

---

## Product Care

---

1. Please read the manual before installation.
2. Do not use this product in humid environment or high temperature.
3. If the ceiling fan is defective or breaks down, please stop using it and contact us with documented photos or short videos via [customerservice@povison.com](mailto:customerservice@povison.com).

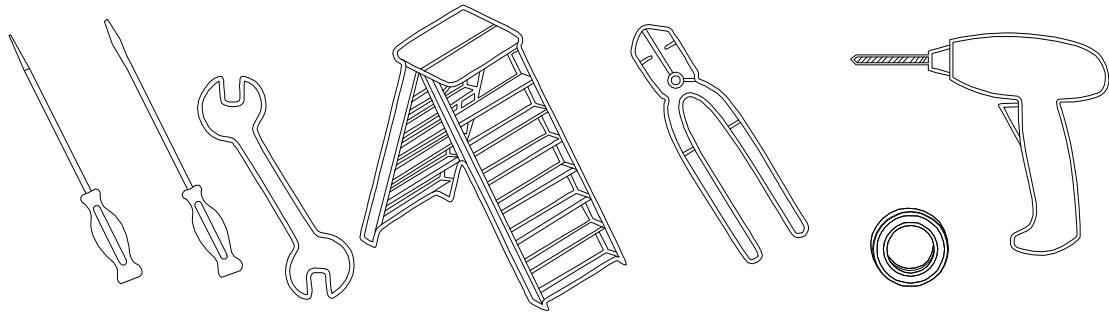
# 9200

## Installation

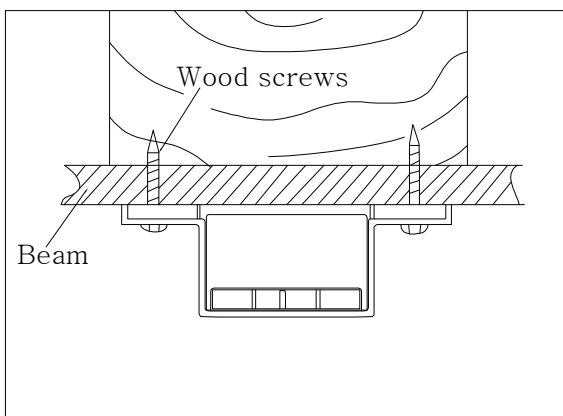
Note: Before installing the ceiling fan, make sure that the power has been turned off.

### 1. Tools ready

philips screwdriver / Blade screwdriver / Adjustable pliers or wrench  
Step ladder / Wire cutter / Electrical tape / Impact drill

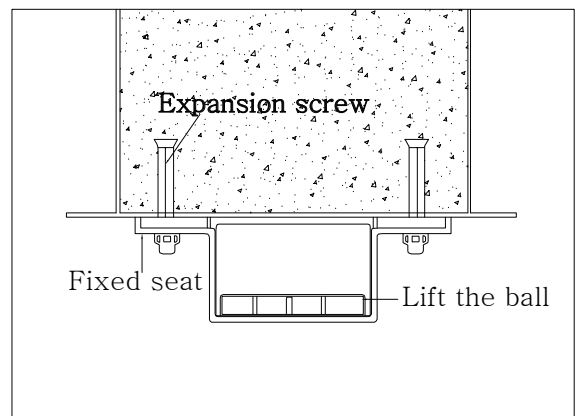


### 2. Installation of bracket



(1)

To use wood screws to fix bracket for wooden or false ceiling.

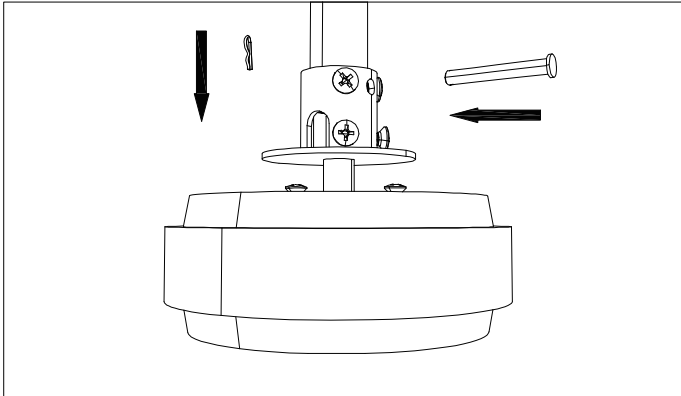


(2)

To use expansion screws to fin bracket for concrete ceiling before that will need to drill dia.8mmexpansion bolts.

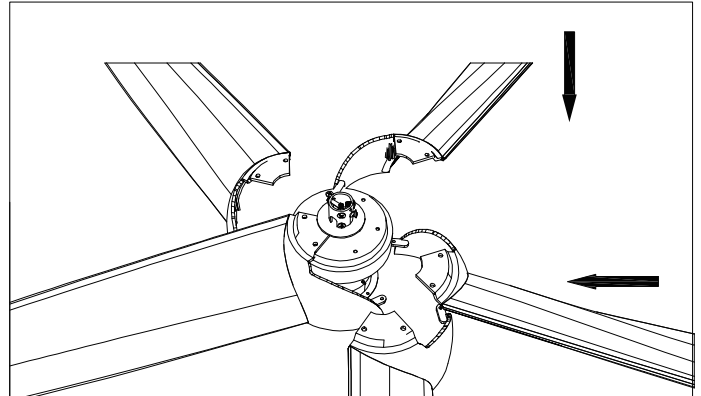
# 9200

## 3. Install the blades



(1)

Install the boom safety pin to the junction of the boom and the hanger.(Figure 1)

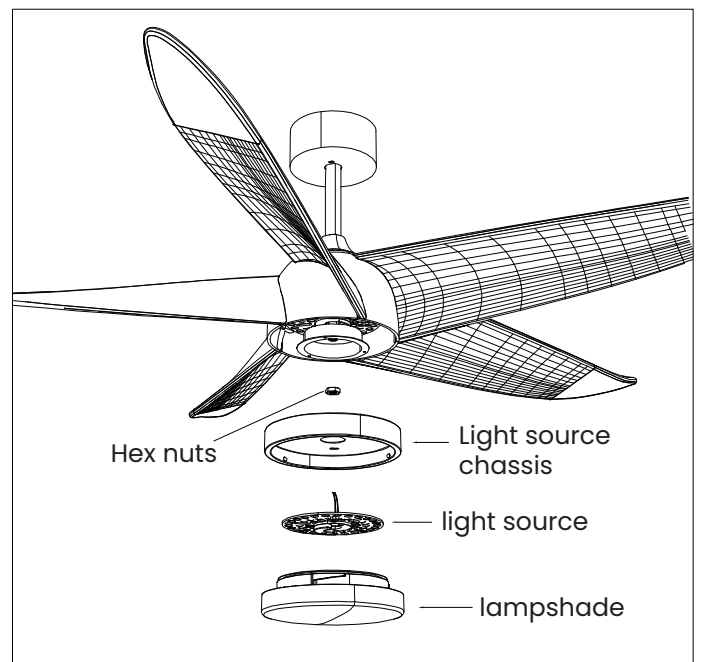


(2)

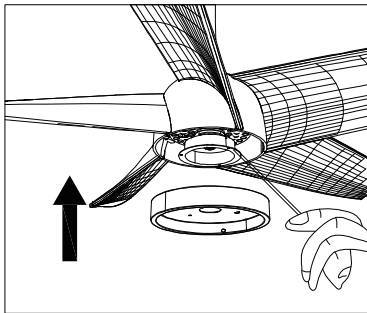
Install the fan blades to the motor in order and screw on the fan blade screws in turn.(Figure 2)

## 4. Lamp installation

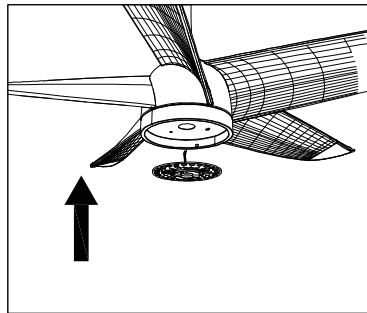
- 1) Connect the corresponding wires at the bottom of the lamp and the motor.
- 2) Tighten the three screws on the edge of the switch cover
- 3) Take out the decorative nuts,nuts,iron washers and plastic washers pre-locked on the lamp tube
- 4)Install glass, tighten plastic washer, iron washer and nut in turn
- 5) Install the decorative frame and fasten the decorative nut



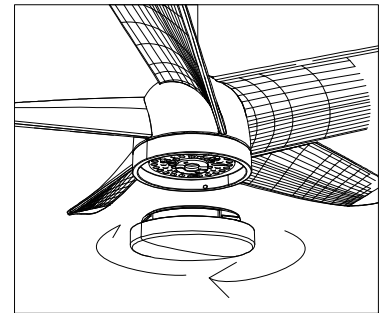
# 9200



(1)



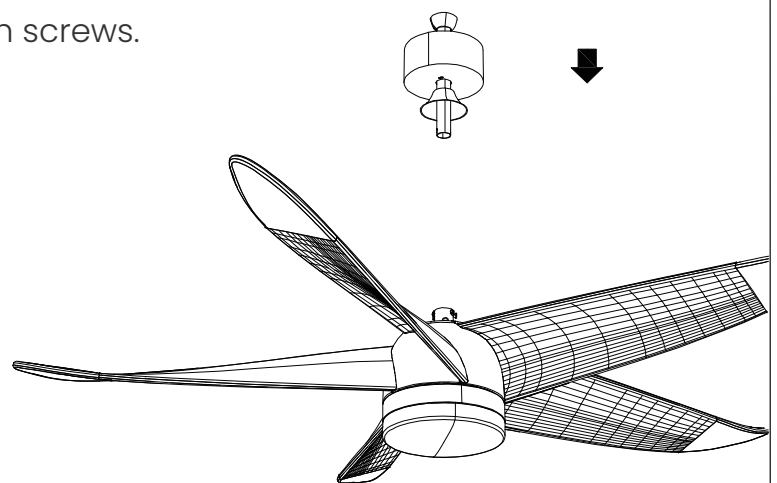
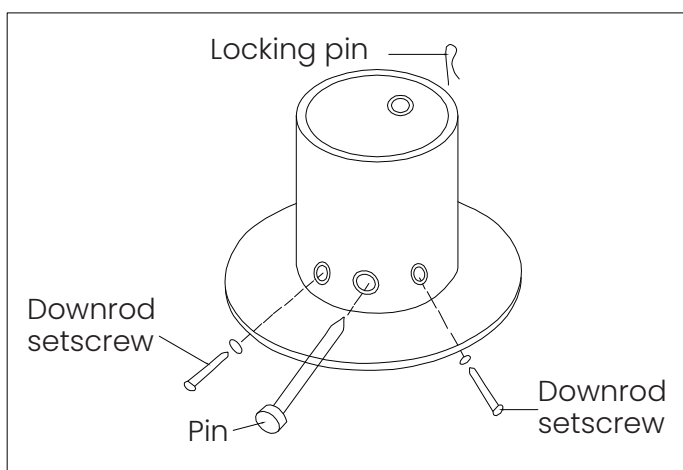
(2)



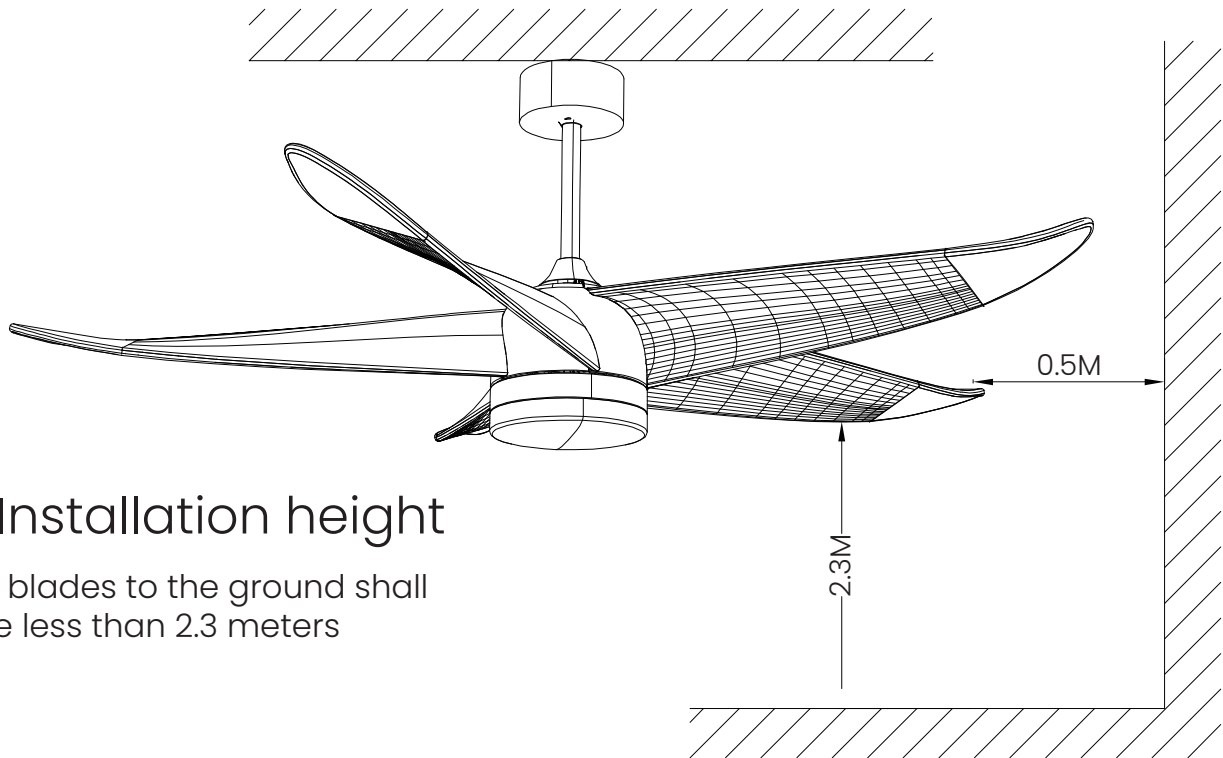
(3)

## 5. Installation of downrod, canopy and decorative cover Selection of downrod

- 1) To select the correct downrod, either 5 inch or 10 inch according to the ceiling height. Put the canopy and decorative cover through the downrod;
- 2) Remove the locking pin and the long pin. then remove the two downrod set screws;
- 3) Fix the downrod set into the fan body, lock the downrod to the fan body with set screws.
- 4) Mount the bracket onto outlet box by the screws, spring washers and flat washers.
- 5) Hang the ball joint and the fan onto the bracket, make sure the guide pin of the bracket is fitted into slot of ball joint.
- 6) Insert the remote control receiver between the bracket and the downrod.
- 7) Connect wires from supply and the bracket to the wiring terminals.
- 8) Attached canopy to the bracket by aligning canopy holes with the bracket holes .Fix the canopy to bracket with set screws.
- 9) Install the blade brackets and blades with screws.



# 9200

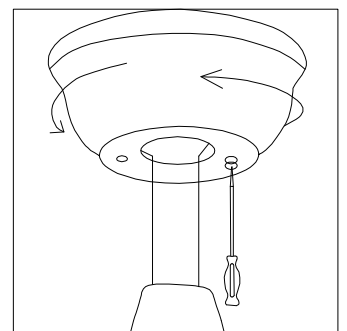
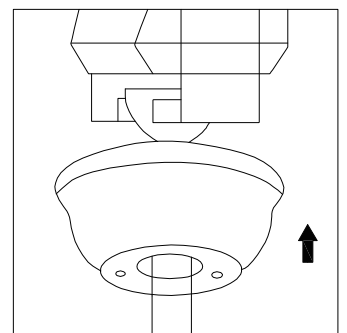
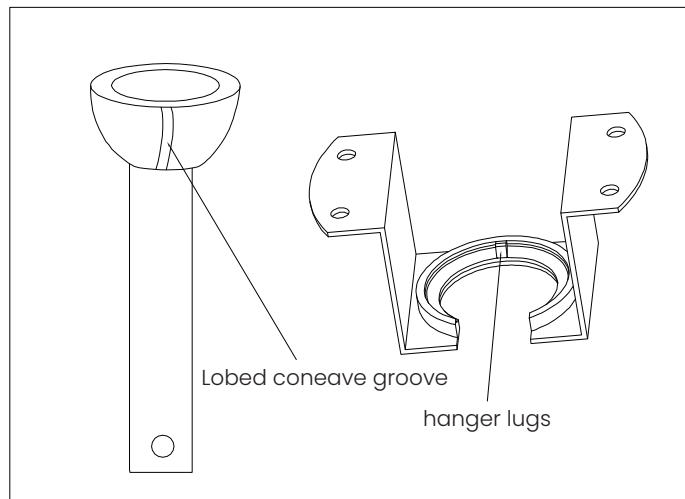
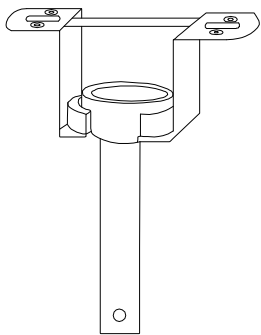


## 6. Installation height

Fan blades to the ground shall not be less than 2.3 meters

## 7. Hanging ceiling fan

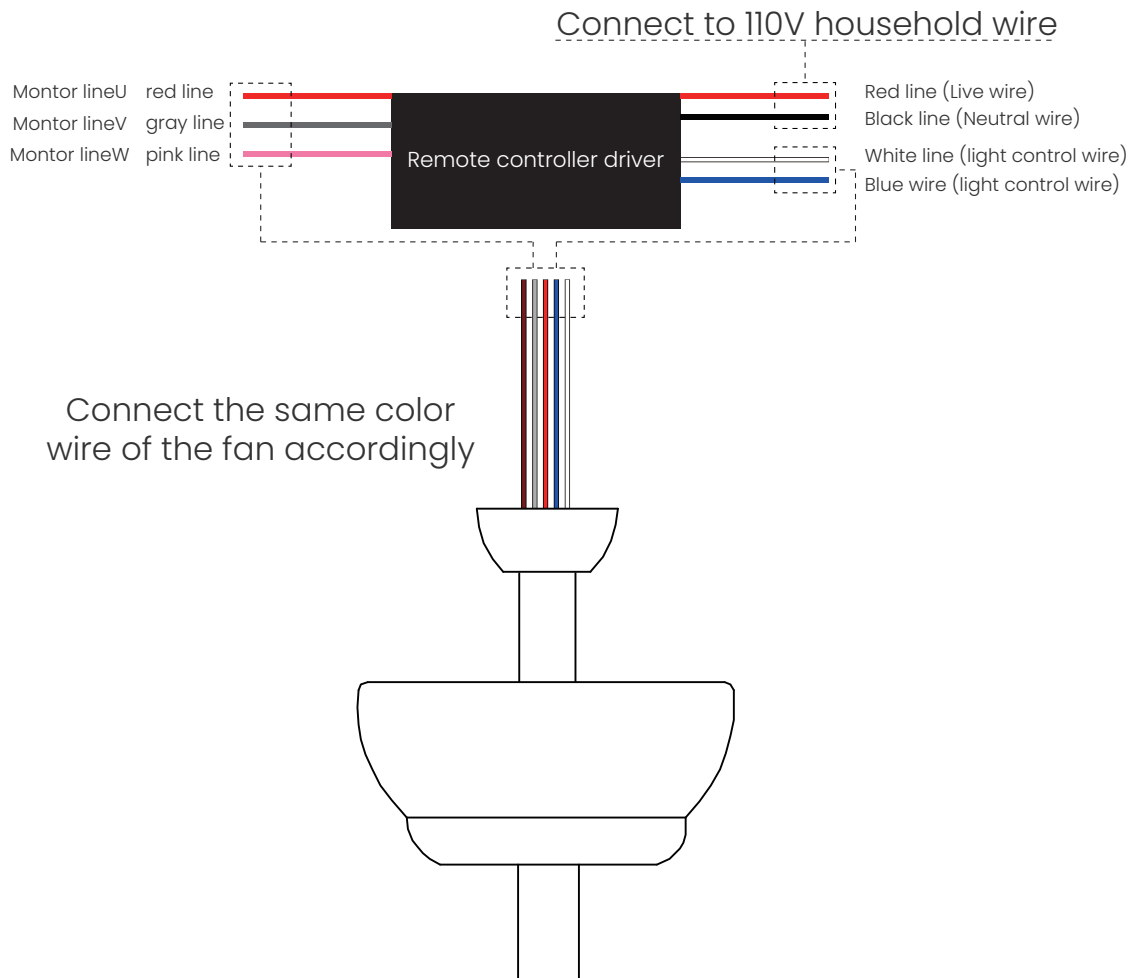
- 1) Place the lobes in the hanger and turn the pipe so that the groove on the lobes engages the lugs on the dome (inside the hanger)  
The lug groove must engage the hanger lug.



# 9200

## 8. Connect the power cord

Connect the remote control driver as shown in the picture (the driver is finally placed in the mounting bracket).



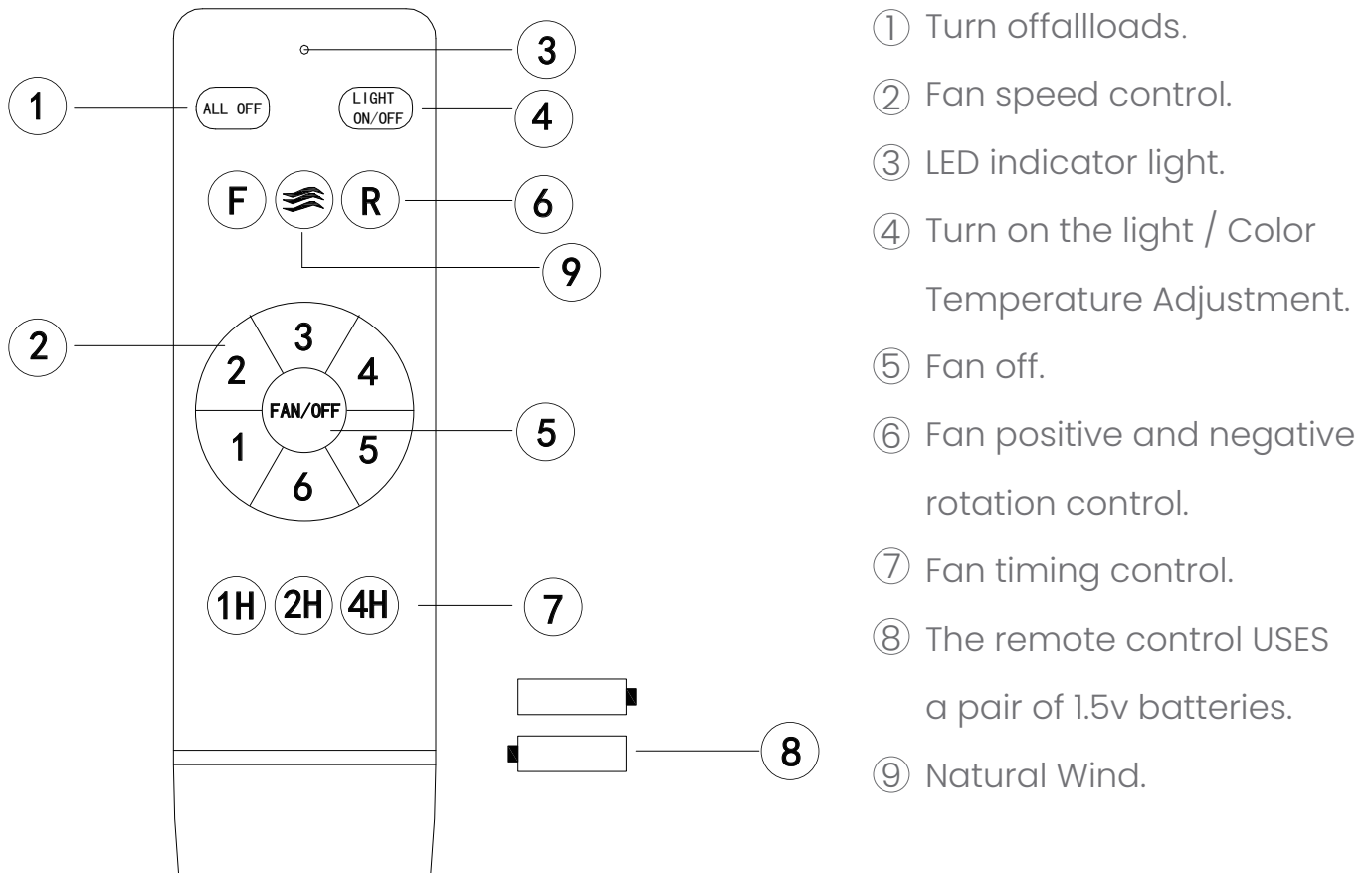
## 9. The balance adjustment of the fan

Fan is installed,if it shakes up and down,please check the screws in blades, downrod,and the lamp kit if they are fix,if not,please fix it with screw driver. If it still shakes, please use the balancing kit stools and check the instruction of balancing kit inside the carton.



# 9200

## Instruction of the remote control

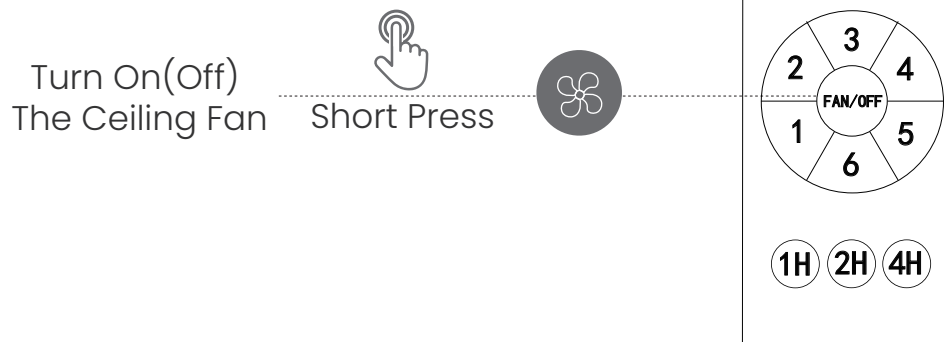
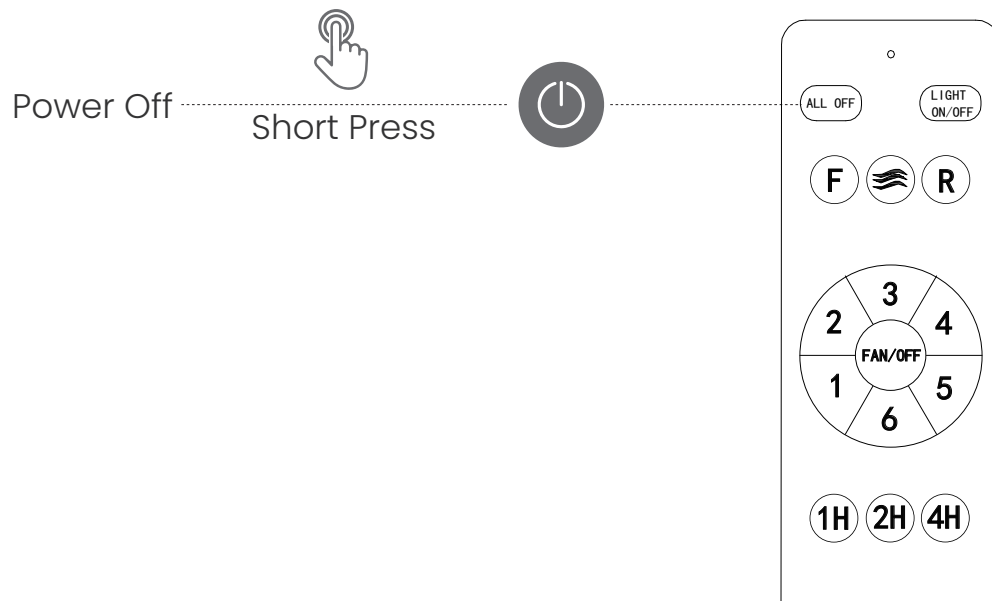


### Tips:

1. The remote control and receiver are paired as learning codes. The remote control is turned to receive the controller within one minute after the receiver is powered on; Long press the natural wind button About 5 seconds, in the sound of a drop, that learning success, can be used normally: (note: no learning is accepted if the power is energized for more than one minute)
2. When the remote control cannot control the controller, please check whether the battery is loaded correctly;
3. Too low battery voltage will affect the remote control distance and may cause remote control failure Please replace the battery in time
4. When not in use for a long time, please remove the battery of the remote control;
5. support the maximum 300V lighting
6. During installation, the ceiling cover of the fan shall not compress all the wires, which may easily cause the wires to break and short circuit

# 9200

## Function Description



# 9200

123456

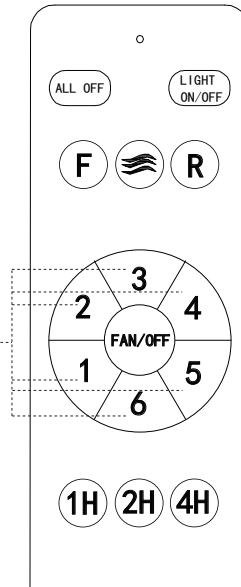
Adjust The  
Wind Speed



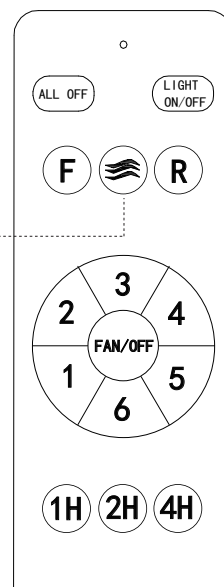
Short Press

123456

Short Press The Number To Adjust The Wind Speed



After Selected the Wind Speed,  
then Press this Key,  
the Wind Speed can be Fast and Slow



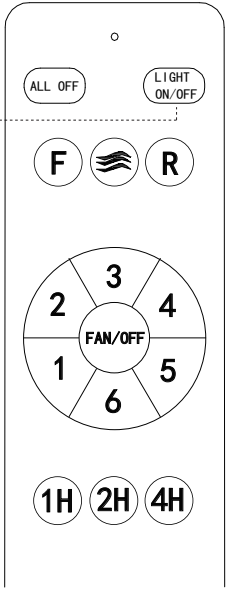
# 9200



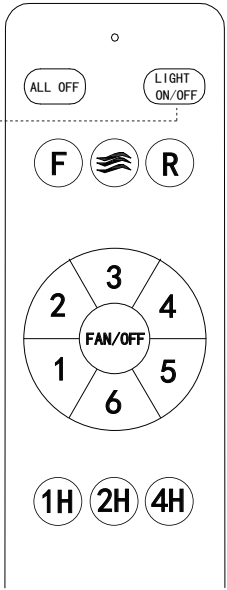
Light Power On(Off)



Short Press



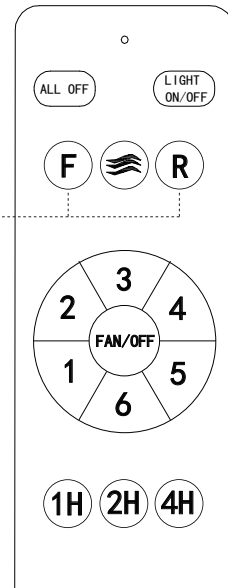
Color Temperature Adjustment,  
Cycle Switching To Change  
Color Temperature



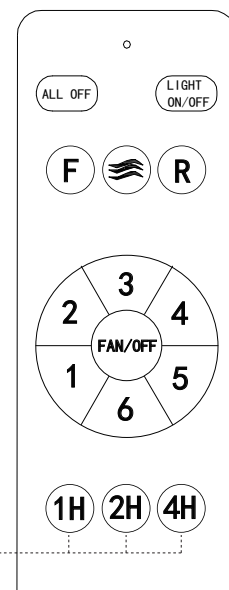
# 9200



Forward And Backward  
Curved Rotation



Timer Function For light and Fan,  
Set Timer For 1,2,4Hours,  
Press Any Other Key can be  
Cancel the Timer Function



# 9200

---

## Frequently asked questions (FAQ)

---

Q: The fan/light/remote do not work?

A: 1. Ensure correct installation; 2. Check if the wiring terminal is in poor contact, try to pull and plug again to ensure that the wires are connected properly; 3. Check the batteries of remote control; 4. Try pairing the remote controller: press the button "OFF" (you'll hear a "beep"), long press the button "pair code", you'll here 2 "beep", which means that you have successfully paired the fan. If there is no 2 "beep", press the button "OFF", turn off the machine for 1 minute, and then try again.

Q: When the fan is on it makes a loud noise. Any ideas why?

A: 1. The noise might be caused by magnet debris generated during transportation, which could be attracted by the attached magnetic parts after the fan working for about 10 minutes. Therefore, in order to eliminate the noise, please try running the fan for about 10 minutes and see if the loud sound disappears. 2. There might be some screws left in the shell in the installation. Therefore, try to remove the lampshade, light source and chassis, turn the fan by hand, shake out the screws, and the sound can disappear.

If you try the above tips and the fan still makes a loud noise, we will replace it for you immediately. Sorry for the inconvenience.

Q: I installed this fan, and there is a 1 or 2 second remote delay. Why?

A: Because there is a motor protection program. When the power is supplied, the receiver tests whether the motor matches it, and then works to start the fan. This is to protect the motor and make it more durable.

Q: Screw holes in mounting bracket do not match electrical box. Any advice?

A: The hole position is the computer digital punching, not the manual punching, so it is accurate in principle. However, there is an important tip in installation: You should fix all the screws into holes SLIGHTLY one by one, and then screws all the holes tightly. Otherwise the screws might not match with the holes accurately.