

Instruction Manual

Bathtub faucet System



5164



5162

CONTENT

| | |
|--|---|
| 1. Installation Condition | 1 |
| 2. Bathtub Faucet Standard Part List (Model:5164) | 2 |
| 3. Bathtub Faucet Standard Part List (Model:5162) | 5 |
| 4. Care and Maintenance | 8 |

Installation Condition

1. Check the Accessories List to verify that all parts are complete in this package.

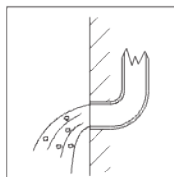
2. Do not disassemble the main body by yourself.

3. Connect inlet pipes to supply valves.

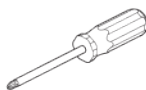
4. Make sure inlet pipes and supply valves have been installed and cleaned, with no impurities in the pipeline.

5. After installation, check all joints for leakages.

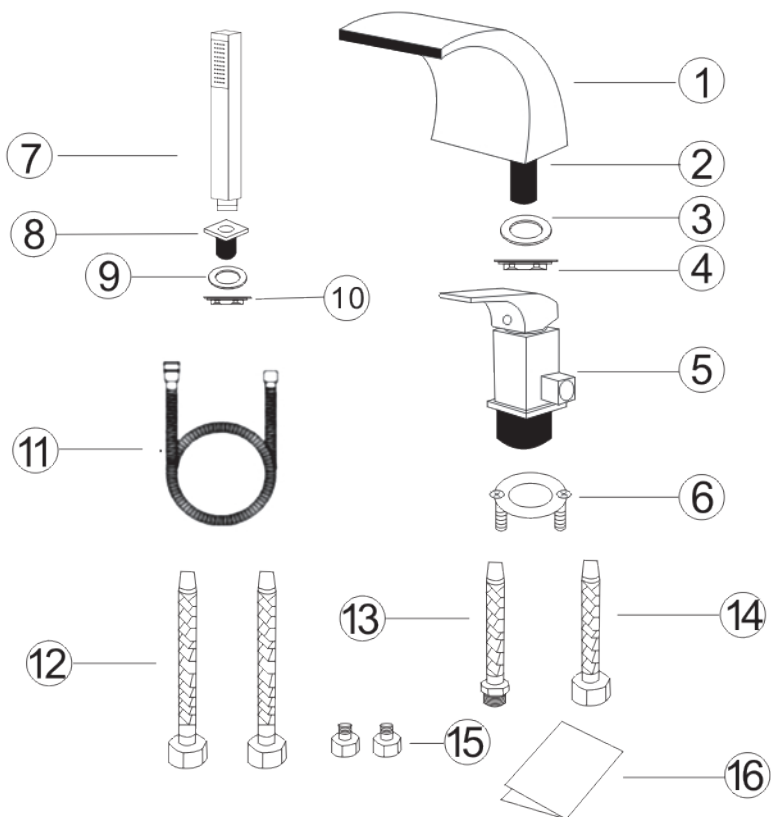
6. Do not leave the rain shower system exposed to a severely corrosive environment.



YOU MAY NEED:



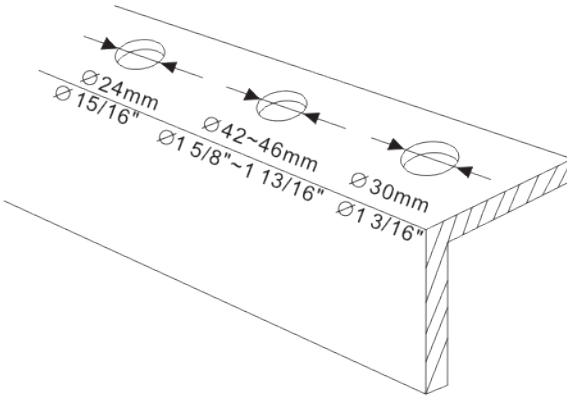
Model:5164 Bathtub Faucet Standard Part List



| NO | Part Name | Quantity | NO | Part Name | Quantity |
|----|---------------------|----------|----|------------------------|----------|
| 1 | Faucet Spout | 1 | 9 | Hand Pedestal Gasket | 2 |
| 2 | Brass Connector | 1 | 10 | Hand Pedestal Nut | 1 |
| 3 | Faucet Spout Gasket | 1 | 11 | Shower Hose | 1 |
| 4 | Nut | 1 | 12 | Hot and Cold Hoses | 2 |
| 5 | Faucet Body | 1 | 13 | Shower Connector Hose | 1 |
| 6 | Faucet Body Nut | 1 | 14 | Spout Connector Hose | 1 |
| 7 | Hand-shower | 1 | 15 | G9/16 change to NPT1/2 | 2 |
| 8 | Hand Pedestal | 1 | 16 | Instruction Manual | 1 |

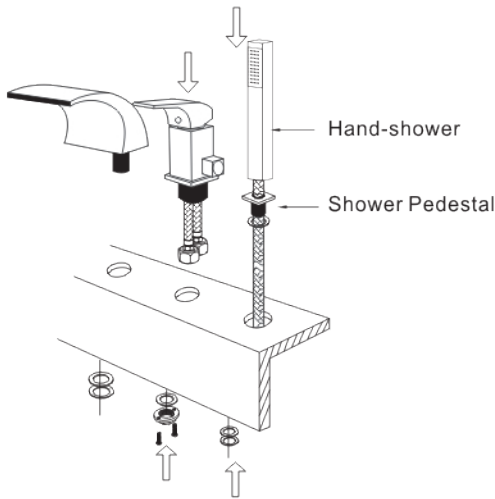
Bathtub Faucet Installation

Step 1



1. Following the dimension of picture 1 and make holes in the edge of bathtub

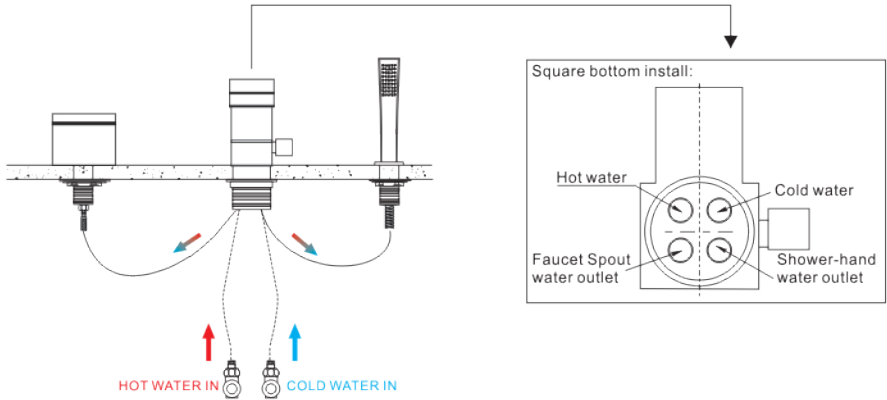
Step 2



2. Taking off the fixed nut of spout, the fixed nut of water diversion body and fixed nut of shower pedestal successively. Then the water diversion body should follow the picture 4 to connect the cold and hot inlet pipe

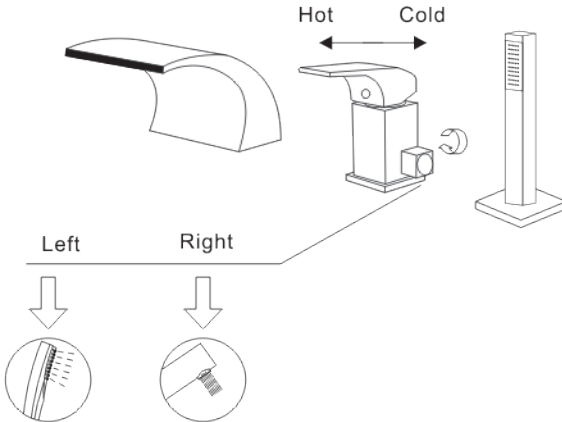
Bathtub Faucet Installation

Step 3



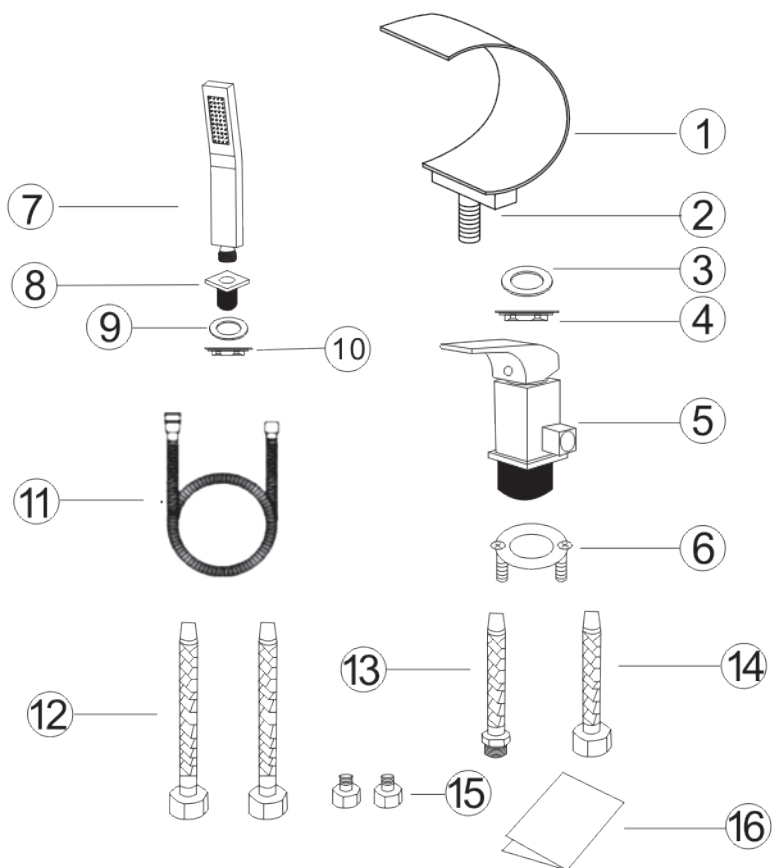
3. Following the picture 3 to fix the spout, the water diversion body and the shower pedestal in the bathtub. Then tighten mounting nut until snug

Step 4



4. Connecting the cold and hot inlet pipe with angle valve
5. Turn on the water supply, check all connect points if leaking. If leaking, tighten it.
Now the faucet is ready for using

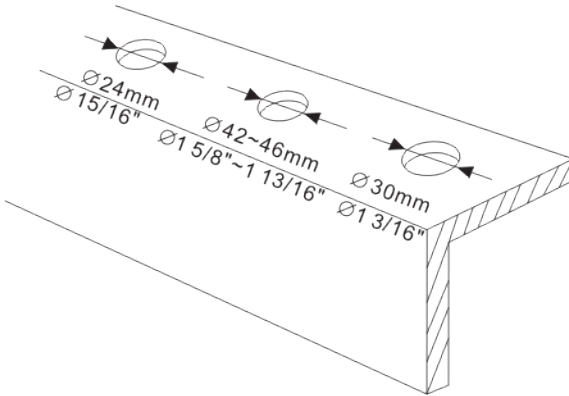
Model:5162 Bathtub Faucet Standard Part List



| NO | Part Name | Quantity | NO | Part Name | Quantity |
|----|---------------------|----------|----|------------------------|----------|
| 1 | Faucet Spout | 1 | 9 | Hand Pedestal Gasket | 2 |
| 2 | Brass Connector | 1 | 10 | Hand Pedestal Nut | 1 |
| 3 | Faucet Spout Gasket | 1 | 11 | Shower Hose | 1 |
| 4 | Nut | 1 | 12 | Hot and Cold Hoses | 2 |
| 5 | Faucet Body | 1 | 13 | Shower Connector Hose | 1 |
| 6 | Faucet Body Nut | 1 | 14 | Spout Connector Hose | 1 |
| 7 | Hand-shower | 1 | 15 | G9/16 change to NPT1/2 | 2 |
| 8 | Hand Pedestal | 1 | 16 | Instruction Manual | 1 |

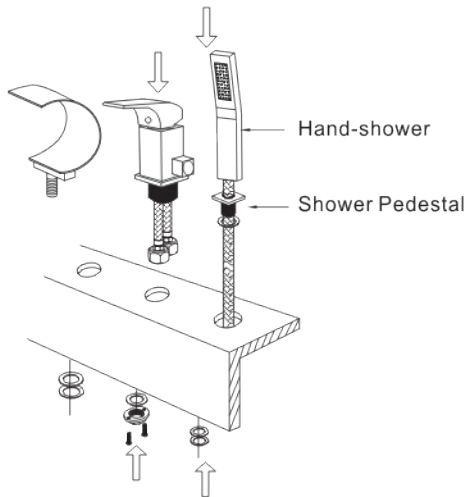
Bathtub Faucet Installation

Step 1



1. Following the dimension of picture 1 and make holes in the edge of bathtub

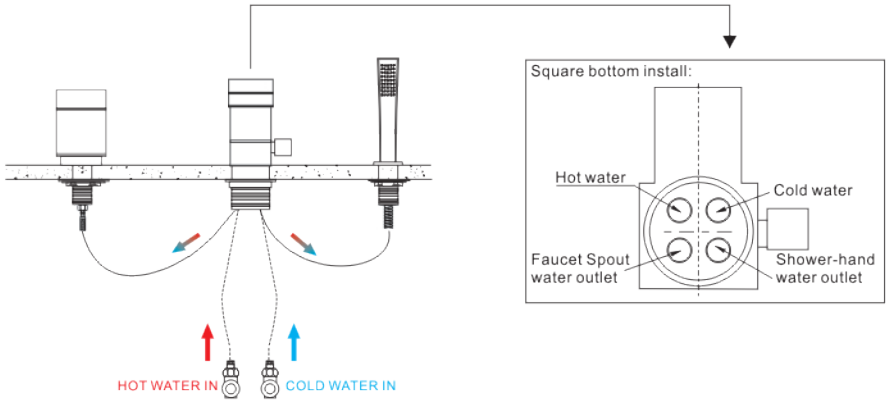
Step 2



2. Taking off the fixed nut of spout, the fixed nut of water diversion body and fixed nut of shower pedestal successively. Then the water diversion body should follow the picture 4 to connect the cold and hot inlet pipe

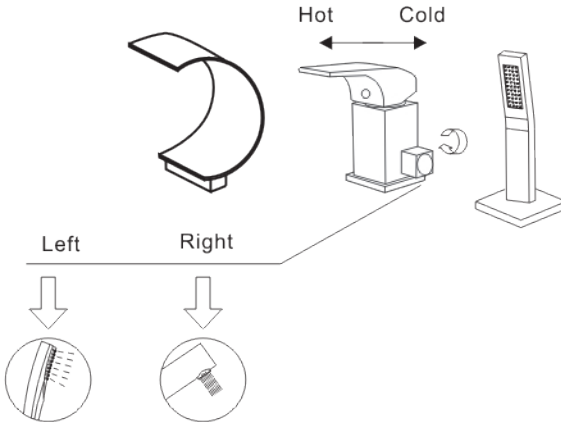
Bathtub Faucet Installation

Step 3



3. Following the picture 3 to fix the spout, the water diversion body and the shower pedestal in the bathtub. Then tighten mounting nut until snug

Step 4



4. Connecting the cold and hot inlet pipe with angle valve
5. Turn on the water supply, check all connect points if leaking. If leaking, tighten it.
Now the faucet is ready for using

Care and Maintenance

Do's

1. In order to keep the mixer surface bright, please clean the mixer regularly.
2. Rinse faucet with clean water and wipe it with soft cotton cloth.
3. Use one of the following cleaners to remove dirt on the surface:
 - a. Mild liquid cleaner.
 - b. Colorless glass cleaner and powder cleaner which does not cause abrasion and can be dissolved completely.
 - c. Polish liquid which does not cause abrasion.



Don'ts

- a. Avoid using cleaning powder, harsh cleaning chemicals, brushes and coarse cloth to prevent scratching and friction.
- b. Do not use acid cleaner to clean the faucet as it may cause surface corrosion of the faucet. If the faucet should be exposed to harmful acid substances, please rinse it with water immediately.