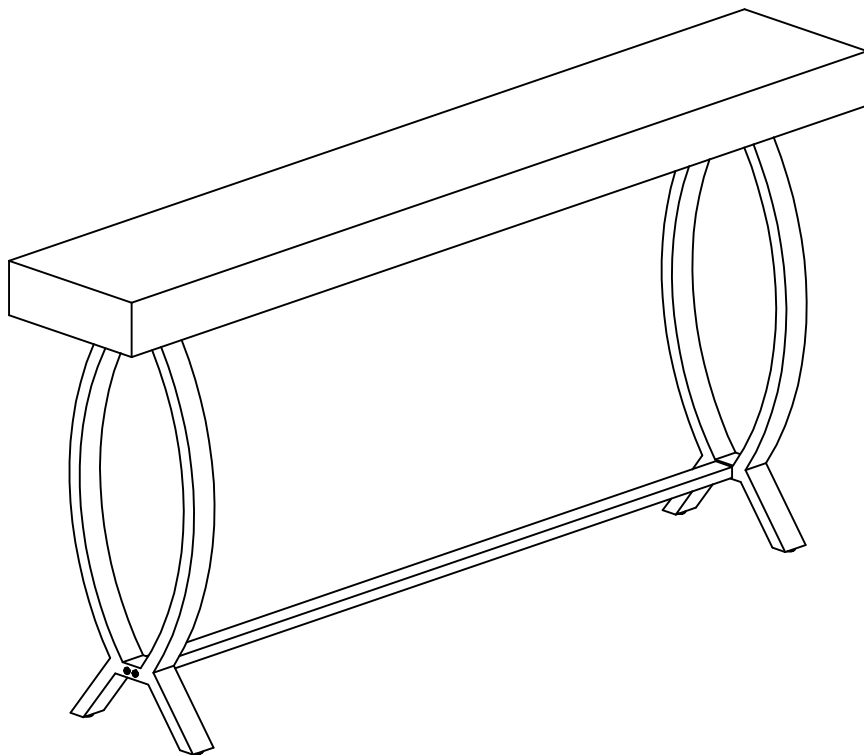


Tribesigns

LITTLE TREE

Assembly Instructions



Model No. HOGA-F1948

Sofa entryway table

Call us!

We're here to help!

If you have any issues with this product, please contact our customer service team **before returning** it.



We want you to be completely satisfied with your purchase! If anything is missing, damaged, incorrect, or not what you expected, don't worry. Please keep the outer packaging and take photos of both the packaging and products, and then reach out to us at **support@tribesigns.com** or call us at **1-424-220-6888**. We'll take care of everything and send you a free replacement, so you can enjoy your purchase as soon as possible without any hassle.

Assembly Instructions:

1. Carefully read these instructions and keep them for future reference.
2. Refer to the parts list for guidance and ensure that you have all the pieces before starting the assembly process, if anything is missing, damaged, incorrect, contact us **FIRSTLY BEFORE** assembling.
3. When assembling, place all parts on a soft, clean, and flat surface, such as a carpet, to prevent any scratches.
4. To avoid misalignment of the holes, Please don't full tighten the screws until you ensure all parts in place.

Follow Tribesign:



Facebook



Twitter



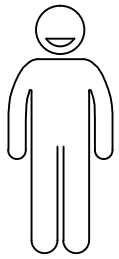
Pinterest



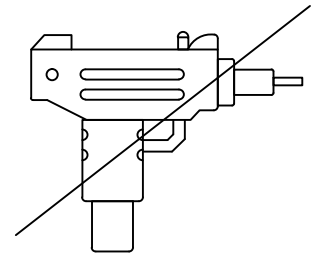
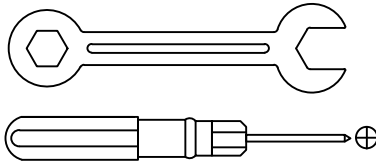
YouTube



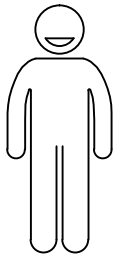
Instagram



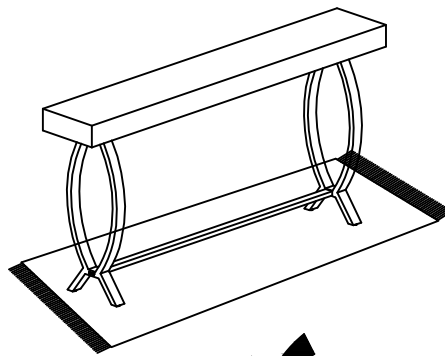
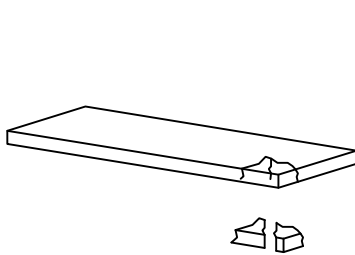
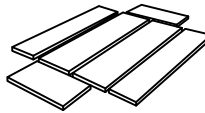
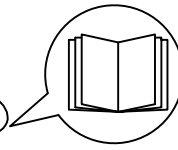
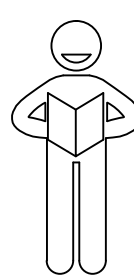
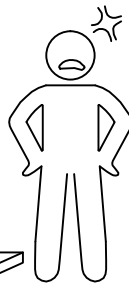
x1



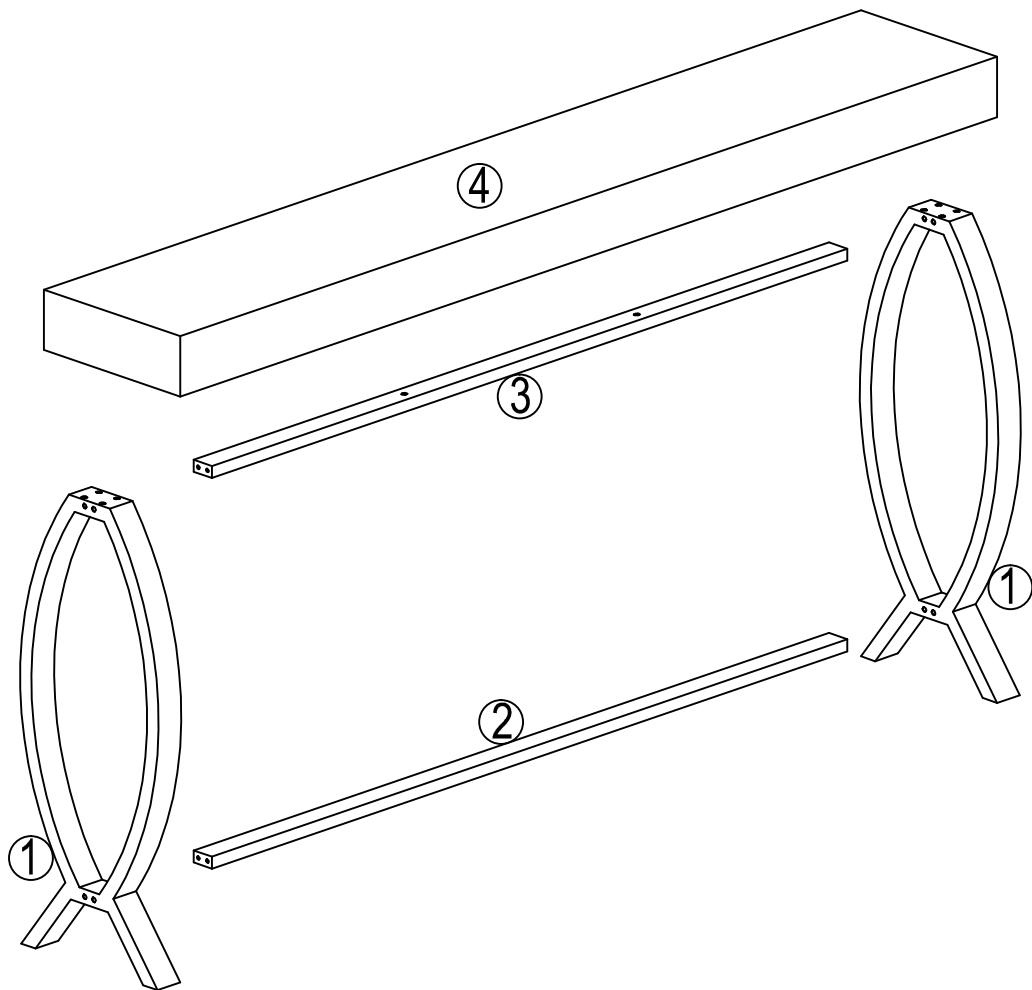
When using the electric screwdriver ,
Reduce the power and torque to avoid damaging the furniture






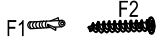



?

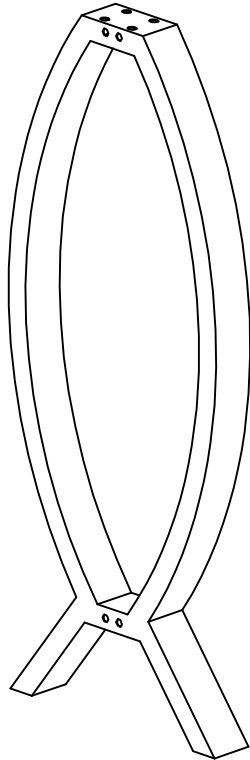


Install tip-over restraint provided)
Use of tip-over restraints may only reduce but not eliminate,
the risk of tip-over.



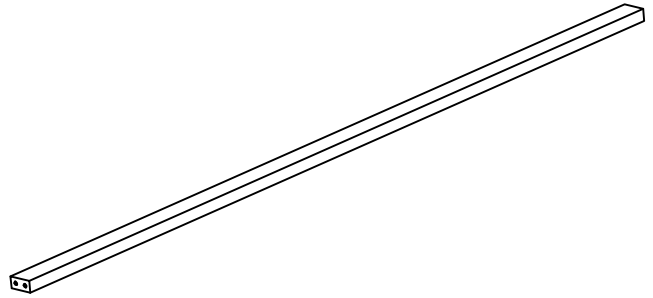
A M6  x4	B M6×65mm  x8	C M6×30mm  x2	D M6×35mm  x8	E M6×12mm  x2	F   x2
---	--	--	--	--	---

①



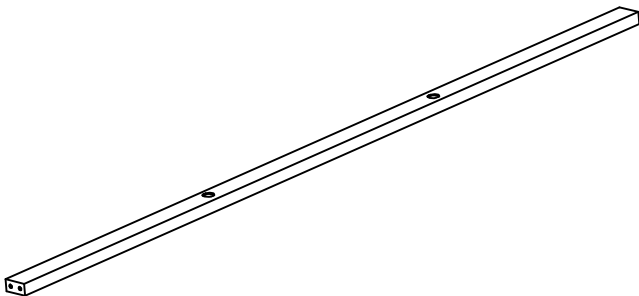
x2

②



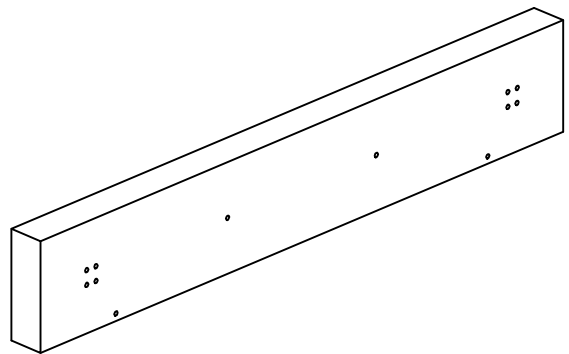
x1

③



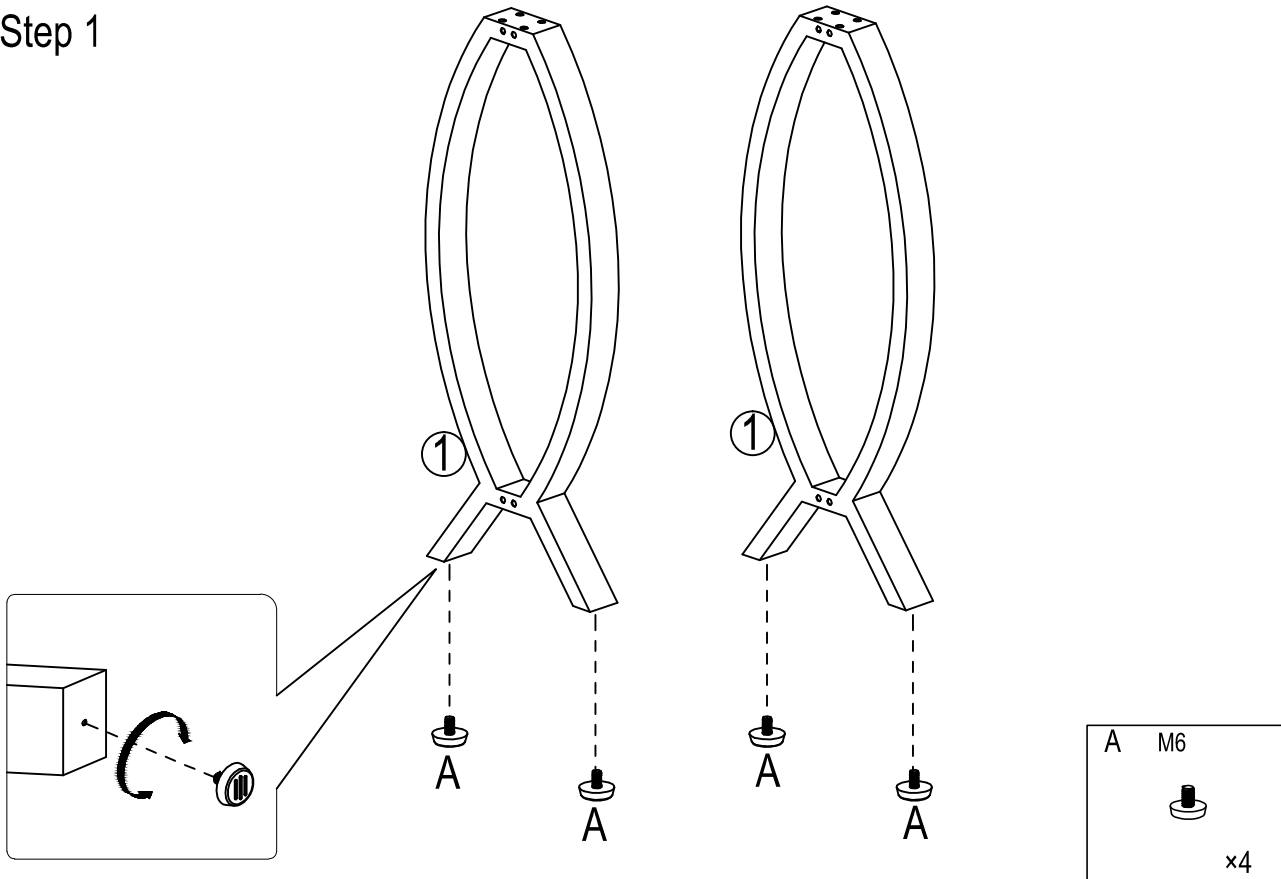
x1

④

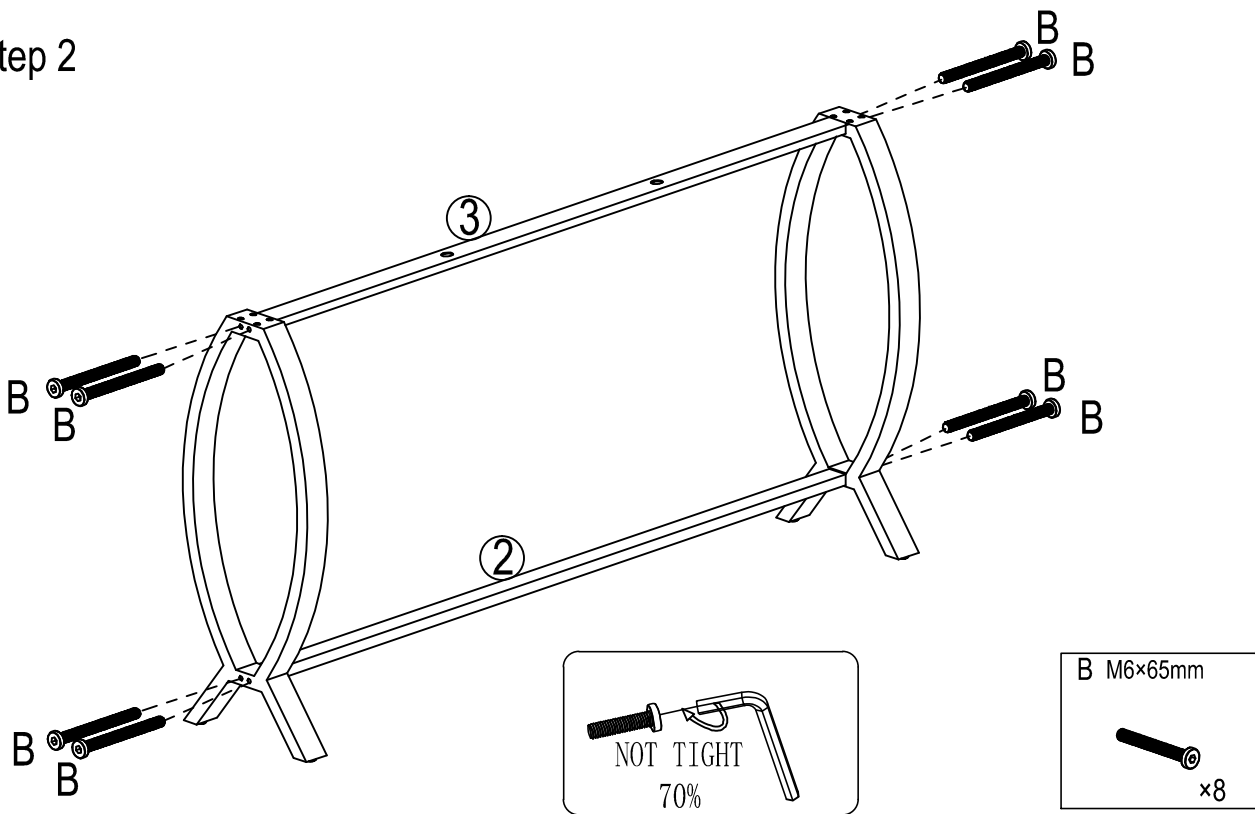


x1

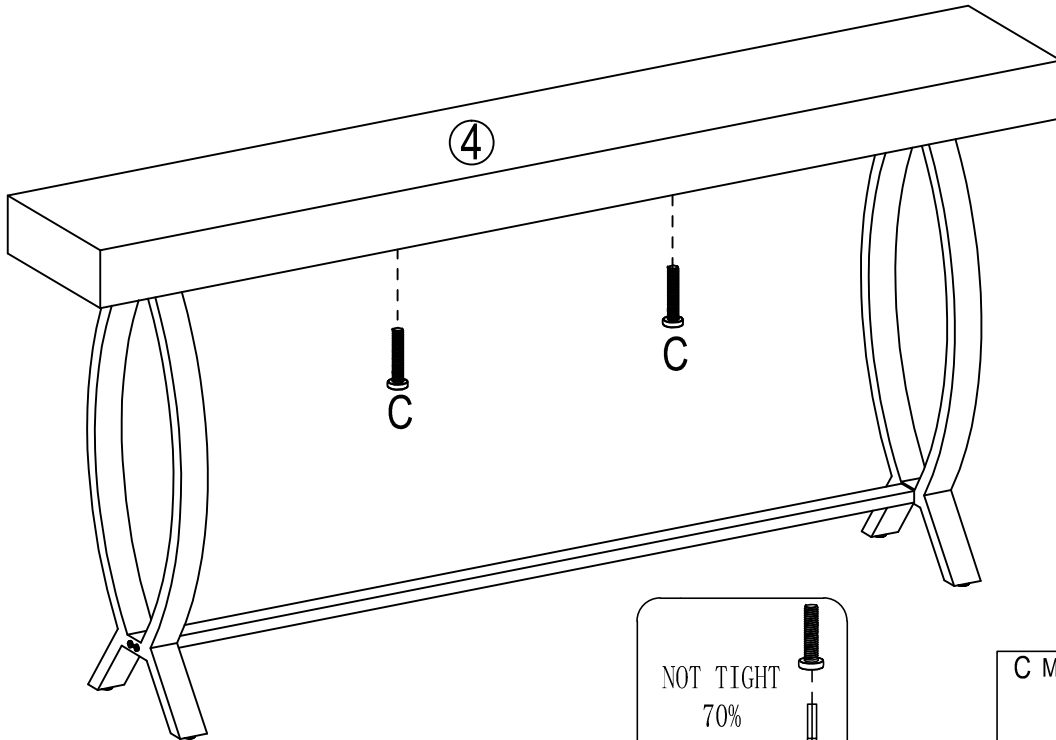
Step 1



Step 2



Step 3

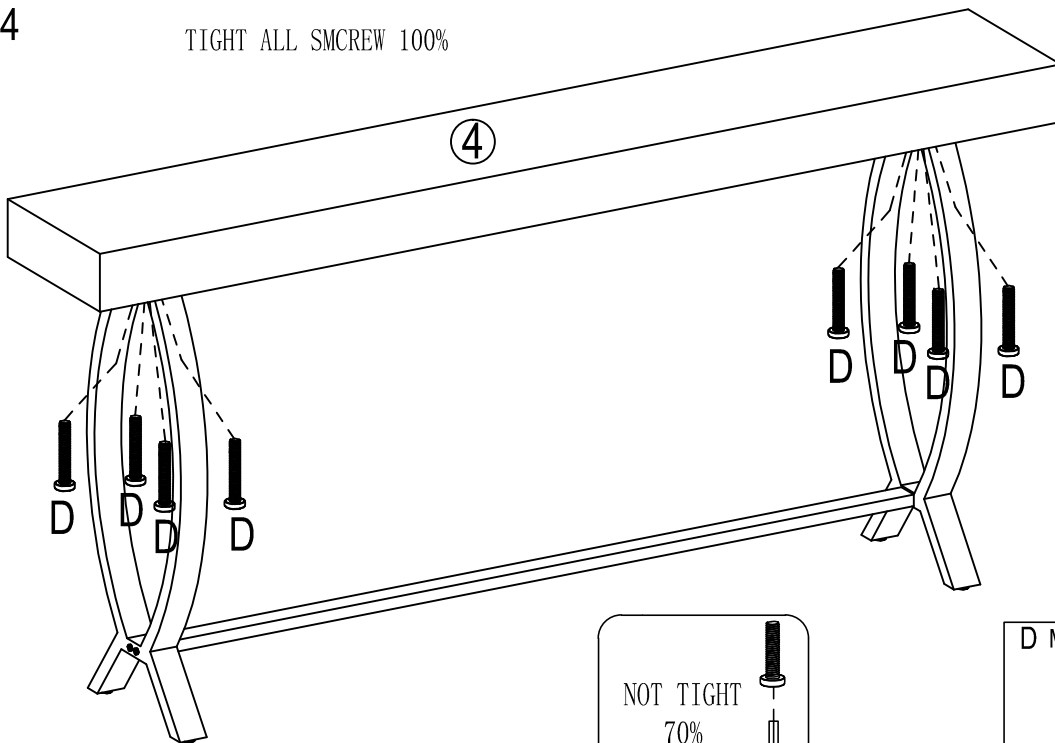


NOT TIGHT
70%

C M6x30mm
x2

Step 4

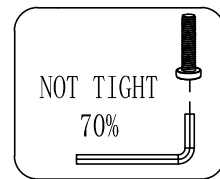
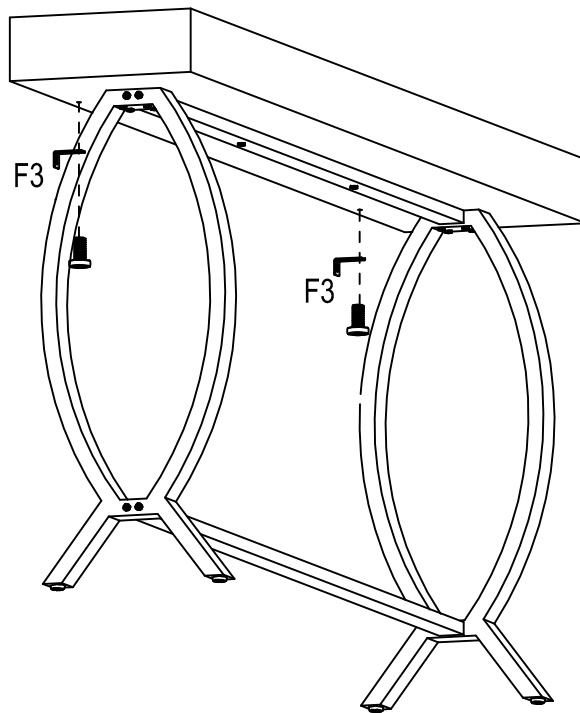
TIGHT ALL SCREW 100%





NOT TIGHT
70%

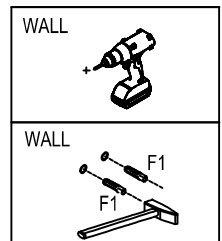
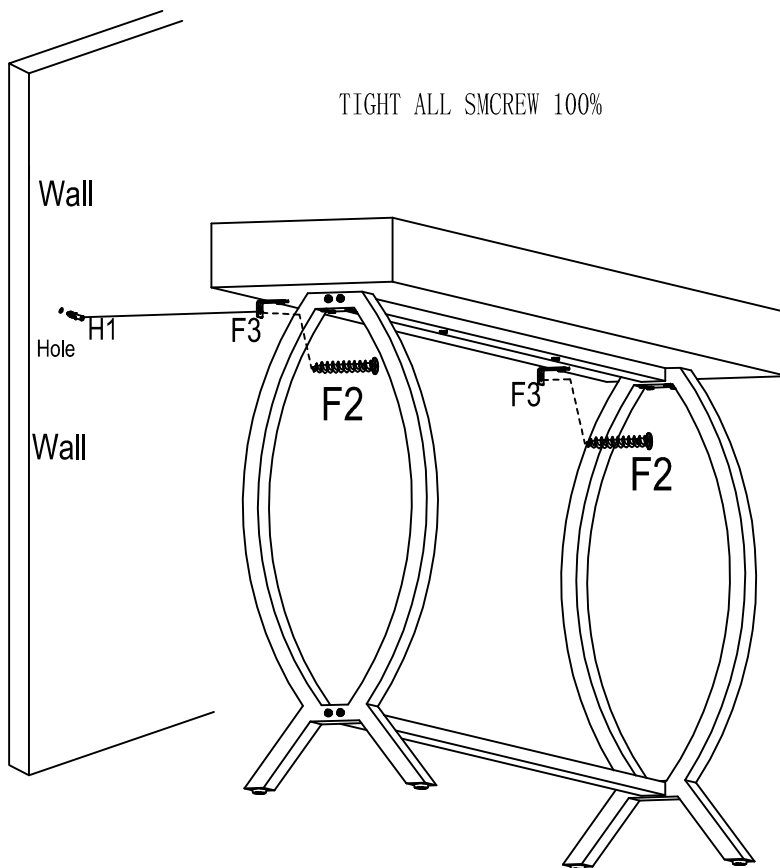
D M6x35mm
x8

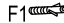
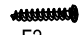
Step 5

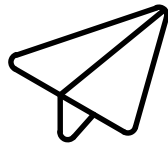


F	E M6×12mm
 x2	 x2

Step 6



F
 F1
 F2
x2



No heartburn,
when we handle
the return

Our way



support@tribesigns.com



Replacement/Refund



You

Their way



Re-package item



Schedule pick-up



Track package



Replacement



You

Contact our customer service team



support@tribesigns.com
www.tribesigns.com



1-424-220-6888