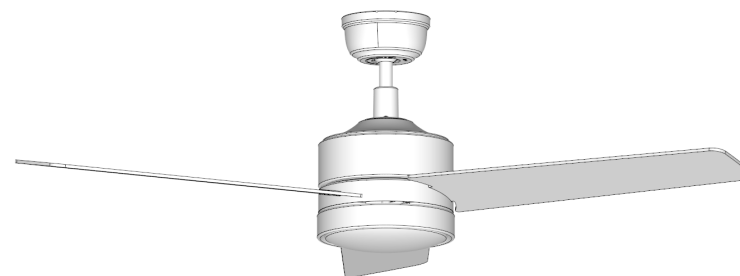


WARRANTY INSTRUCTIONS

Please keep a copy of your original purchase receipt.

Thank you for your purchase!



MODEL:CFW523E5L

CARRO
Smart Life Stays In Motion

INSTALLATION INSTRUCTIONS

FEEL FREE TO CONTACT US AT:

CARRO USA INC.

1037 W. 9th Street, Unit 101, Upland, CA 91786

Tel: (888) 253-2374

Email: cs@carrohome.com

Facebook

facebook.com/carrousa

Instagram

instagram.com/carro_usa



CARROHOME.COM



MANUFACTURING QUALITY
CEILING FANS SINCE FOREVER.

Important: Please read and save these instructions before installation



Basic Product Specifications

Model	CFW523E5L	Voltage	120V
Fan Blade Span	52"	Rated Wattage	44W (Fan 22W / Lamp 22W)
Gross Weight	15.2 lbs.	Motor RPM	70-215 RPM
Maximum Airflow	4960 CFM	Maximum Noise	58 dB(A)

**U.S. Patent Nos.: 10,511,206 and 11,296,561 and 11,268,568
and 11,668,326 and 11,808,446 and 12,044,356.**

Other Patent(s) Pending.

Questions

Have questions about our products? Contact us and talk to our helpful tech support team.

Technical Support

Business Hours:

Monday - Friday (Holidays observed).

9:00 am to 5:30 pm PST.

Tel: (888) 253-2374

The product images shown in the manual are for reference purposes only.
Actual product may differ slightly.

The Leader in Smart Ceiling Fan Technology.

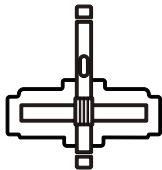
This Carro Ceiling Fan has :



Variable Speed Options



Forward / Reverse
Fan Direction



DC Motor, stable & silent,
suitable for indoor use



Built with premium materials
for durability & power



Wall Control

SAFETY PRECAUTIONS

READ AND SAVE THESE INSTRUCTIONS

- Before you begin installing the fan, shut power off at the circuit breaker of the fuse box.
- Make sure that all electrical connections are in accordance with National Electrical Code, ANSI/NFPA 70 and local codes. Hire a licensed electrician if you are unfamiliar with installing electrical wiring.
- Make sure the installation site you choose allows the fan blades to rotate without any obstructions. Allow a minimum clearance of 2.1m (7 feet) from the floor and 18 inches from the tip of the blades to the wall.
- The outlet box and support structure must be securely mounted and capable of reliably supporting a minimum of 35 pounds. Use only U.L. listed outlet boxes marked "Acceptable for Fan Support of 15.9 kg (35 lbs) or less".
- Before and after you install the fan, make sure that all mounting components are secured to prevent the fan from falling.
- Do not insert anything into the fan blades while the fan is operating.
- To change the direction of the rotation of the blades, the fan must be in operation mode.
- All screws must be checked and retightened where necessary before installation.
- After making the wire connections, the wires should be spread apart with the grounded conductor and the equipment-grounding conductor on one side of the outlet box and the ungrounded conductor on the other side of the outlet box.
- The splices after being made should be turned upward and pushed carefully up into the outlet box. Conductor wiring identified as grounded is to be connected to a grounded conductor of power supply. Conductor wiring identified as ungrounded conductor is to be connected to an ungrounded conductor. Conductor wiring identified for equipment grounding is to be connected to an equipment- grounding conductor.
- This device complies with part 15 of the FCC Rules. Operation is subject to the following two conditions: (1) This device may not cause harmful interference, and (2) this device must accept any interference received, including interference that may cause undesired operation.

SAFETY PRECAUTIONS

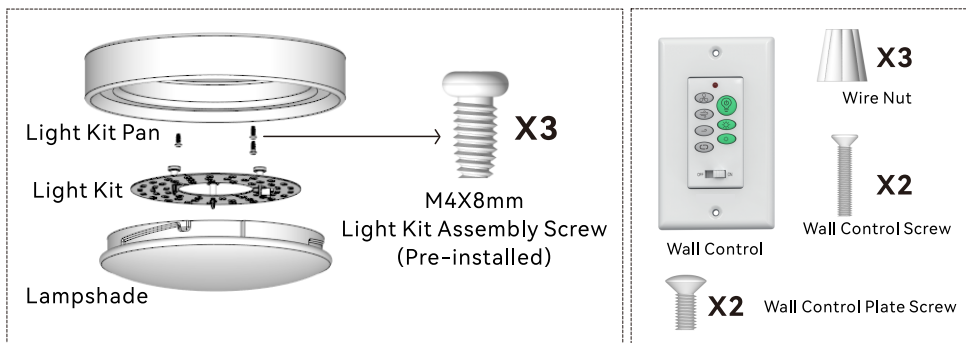
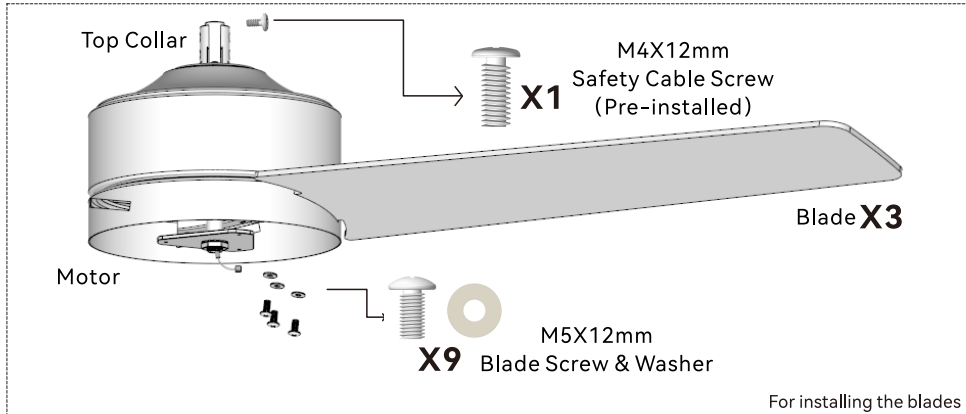
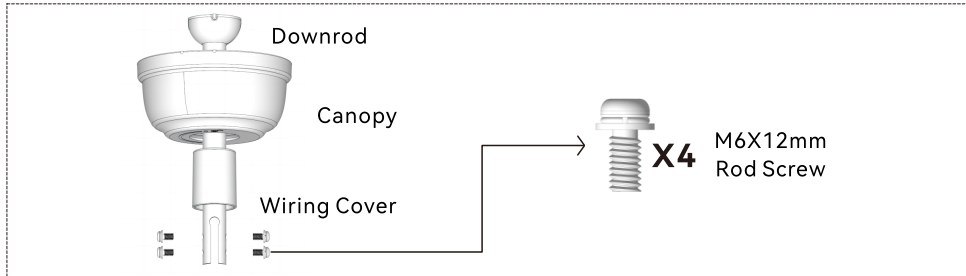
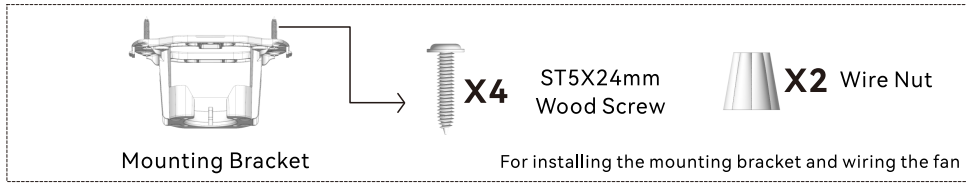
- **CAUTION:** Read all instructions and safety information before installing your new fan. Review accompanying assembly diagrams.
- **WARNING:** Mount only to an outlet box marked acceptable for fan support.
AVERTISSEMENT: Assembler uniquement à une boîte de sortie jugée acceptable pour retenir un ventilateur.
- **WARNING:** To reduce the risk of fire, electric shock, or personal injury, mount to a structural framing member or to an outlet box marked acceptable for fan support of 15.9 kg (35 lbs) or less. For outlet box mounting, use mounting screws provided with the outlet box.
AVERTISSEMENT: Afin de réduire les risques d'incendie, de choc électrique ou de blessures corporelles, ils doivent être montés sur des éléments de charpente structurale ou sur des boîtes de sortie marquées d'un support de ventilateur acceptable de 15,9 kg (35 LB) ou moins. Pour l'installation de la boîte de sortie, utilisez les vis de montage fournies avec la boîte de sortie”
- **CAUTION:** To reduce the risk of injury, use only the screws provided with the outlet box in conjunction with the lock washers.
- **WARNING:** To reduce the risk of personal injury, do not bend the blade bracket when installing the brackets, balancing the blades, or cleaning the fan. Do not insert foreign objects in between rotating fan blades.
- **CAUTION:** To reduce the risk of electric shock, disconnect the electrical supply circuit to the fan before installing the light kit.
- **WARNING:** To reduce the risk of fire or electric shock, this fan must be installed with a general use, non-dimmable, single gang, isolating wall control/switch.
- **WARNING:** To reduce the risk of fire or electric shock, do not use this fan with any solid-state speed control device.
AVERTISSEMENT: Ne convient pas à des régulateurs de vitesse à semi-conducteurs.
- **NOTE:** The important safeguards and instructions appearing in this manual are not meant to cover all possible conditions and situations that may occur. It must be understood that common sense, caution and care are factors which cannot be built into this product. These factors must be supplied by the person(s) installing, caring for and operating the unit.
- **CAUTION:** The light source is designed for this specific application and can overheat if serviced by untrained personnel. If any servicing is required, the product should be returned to an authorized service facility for examination or repair.
- **WARNING:** Do not use corrosive detergents for cleaning.
- **WARNING:** To reduce the risk of fire, electric shock, or injury to persons, do not use replacement parts that have not been recommended by the manufacturer. (e.g. Parts made at home using a 3D printer).
- **NOTE:** Before installing the fan, please check and inspect all of the fan components and make sure they have all been received in good condition. Contact the manufacturer if there are any missing, damaged, or broken parts.

Table of Contents

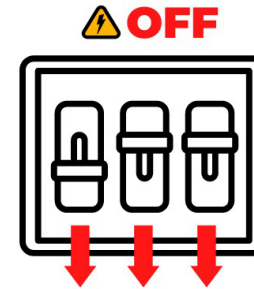
06	Fan Diagram
07	Disassembly
08	Fan Blades
09	Light Kit Pan & Light Kit
10	Downrod
11	Mounting Bracket
12	Hanging
13	Wiring
14	Canopy
15	Lampshade
16	Wall Control / Power On
17	Wall Control Operation
19	Troubleshooting
20	Care & Cleaning / FCC

Fan Diagram

Before installing, please check to make sure you have received all the necessary components for installation. Some extra hardware may also have been included.

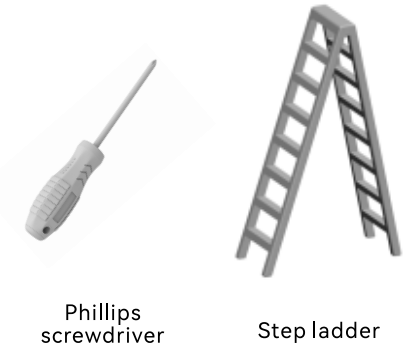


Installation: Disassembly



WARNING: To avoid serious injury or death, turn off the power at the circuit breaker before installing the fan.

Tools you'll need



1. Disassemble the Light Kit & Light Kit Pan

1.1 Take the motor assembly out of the box and detach the light kit by pulling it away from the assembly. The light kit is attached to the assembly by magnets.

1.2 To remove the light kit pan, first remove one light kit assembly screw from the motor plate. Then, loosen the other two keyhole screws but do not fully remove. Rotate and remove the light kit pan. Keep the removed screw for later use.

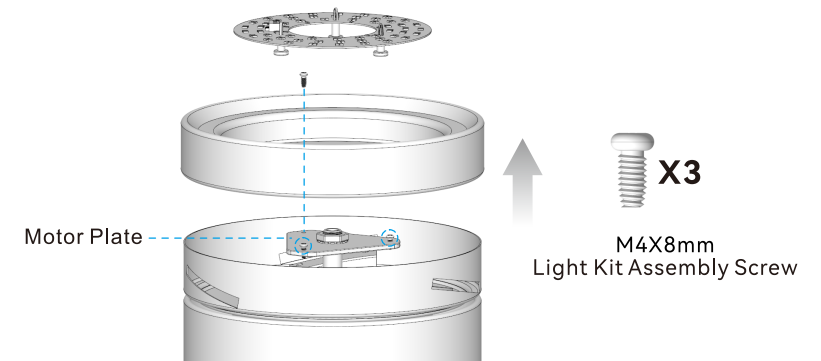


Fig. 1.1

Installation: Fan Blades

2. Install the Fan Blades

Find the 9 blade attachment screws and washers in the hardware pack. Slide the blades through the center band of the motor housing and align the holes. Use the blade screws and washers to securely attach the blades in place.

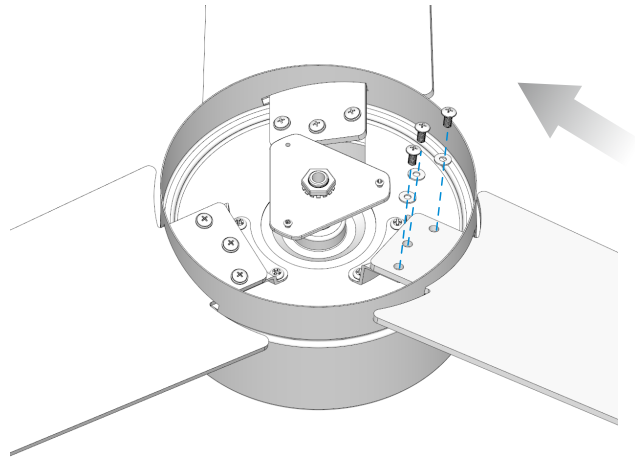


Fig. 2.1



Installation: Light kit Pan & Light Kit

3. Install the Light Kit Pan & Light Kit

3.1 Thread the wire plug from the motor through the center hole of the light kit pan. Attach the light kit pan to the motor plate, making sure the two screw heads fit through the keyhole slots. Twist the light kit pan until the screws slide into the narrow ends of the keyhole slots.

Securely tighten all screws, and then reinstall the light kit assembly screw that was previously removed. Ensure that all screws are securely tightened.

3.2 Allow the wire plug to pass through the light kit. Reinstall the light kit. The light kit will be magnetically attracted to the pan with the help of magnets, as shown in Fig.3.1.

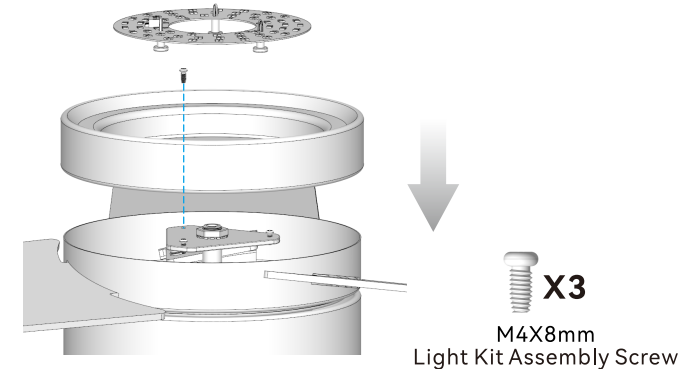


Fig. 3.1

3.3 Insert the wire plug into the light kit terminal block, as shown in Fig.3.2.

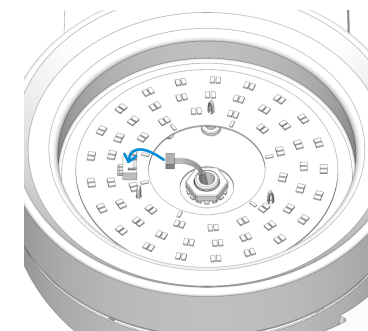


Fig. 3.2

Installation: Downrod

4. Attach the Downrod

4.1 Assemble the downrod as shown in Fig. 4.1. Insert the downrod through the canopy and wiring cover.

Note: If you choose to install a safety cable onto your ceiling fan, you will also need to run it through the downrod.

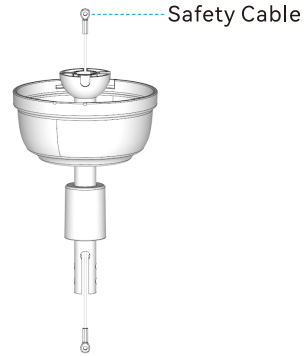


Fig. 4.1

4.2 Thread the motor wires through the downrod, pull out the slack from the motor wires and safety cable upward, and insert the downrod into the collar on top of the motor assembly. Align the holes at the bottom of the downrod with the holes in the collar on top of the motor housing.

Remove the pre-installed safety cable screw. Install the safety cable and re-insert the previously removed screw back through the hole, but do not tighten yet. Check the top collar to make sure the holes are aligned to install the four rod screws (included in the package), and securely tighten down all the screws to ensure a proper connection as shown in Fig. 4.2.

Slide the wiring cover down until it rests on top of the motor assembly as shown in Fig. 4.3. **Note:** Before sliding the downrod over the collar on top of the motor assembly, make sure to remove the end of the safety cable from the downrod.

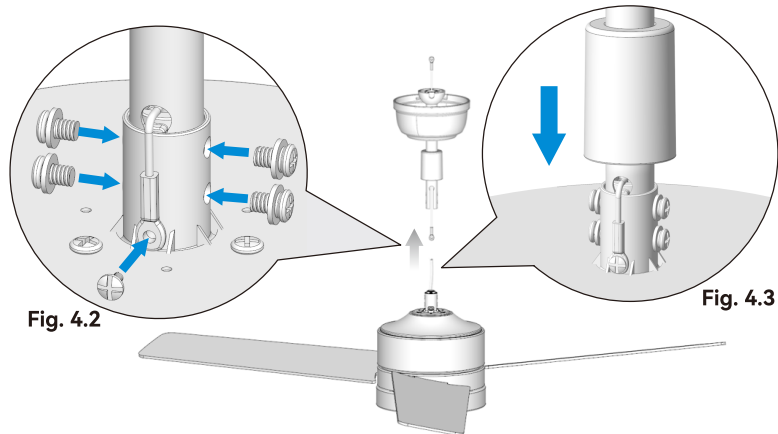
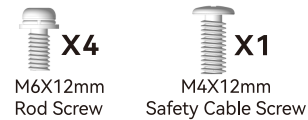


Fig. 4.2

Fig. 4.3

Installation: Mounting Bracket

5. Install the Mounting Bracket

Install the mounting bracket to the ceiling box, as shown in Fig. 5.1 below. Rotate the mounting bracket in different directions so that the bracket mounting holes match the screw holes of the ceiling box.

Note: This mounting bracket is a standard cable box. If the mounting bracket is installed at the outlet box, it should be installed on the outlet box with two screws matching the outlet box itself, as shown in Fig. 5.1.

WARNING: DO NOT use plastic outlet box. Use only U.L. listed outlet boxes marked "Acceptable for Fan Support of 15.9 kg (35 lbs) or less".

This bracket can also be mounted to a wooden ceiling beam. In that case, use the four ST5x24mm wood screws to lock the corresponding holes on the left and right sides of the bracket as shown in Fig. 5.2.

Note: The wooden ceiling beam must meet the tensile test of 30kg for installation.

It is also possible to install the mounting bracket directly to a concrete ceiling and use four anchors (not included) to lock the left and right corresponding holes of the bracket to the ceiling.

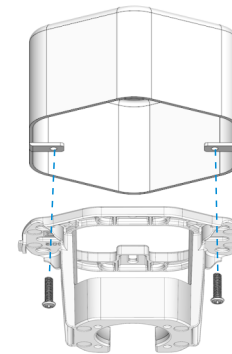


Fig. 5.1

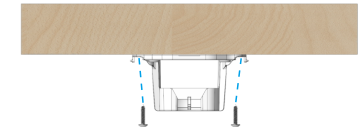


Fig. 5.2

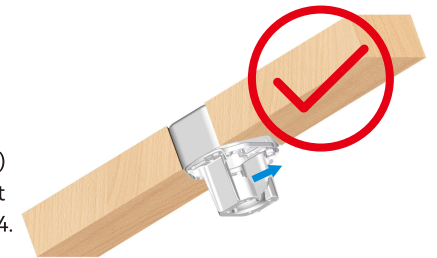


Fig. 5.4

If you have an angled or vaulted ceiling (see Fig. 5.3)

1. When installing the mounting bracket, the bracket groove should be facing upward, as shown in Fig. 5.4.

Do not install the bracket with the groove facing downward, as shown in Fig. 5.5.

2. You will need a longer downrod.

3. The maximum angle is 27 degrees.

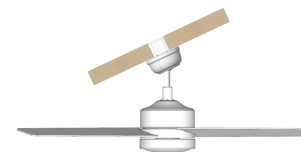


Fig. 5.3

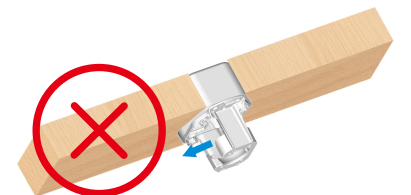


Fig. 5.5

Installation: Hanging

6. Hang the Fan

WARNING: To reduce the risk of fire, electric shock, or other personal injury, mount the fan only to an outlet box or supporting system marked acceptable for fan support and use the mounting screws provided with the outlet box.

WARNING: Check to see that all connections are tight, including ground, and there are no visible bare wires at the wire nuts (except for the ground wire).


WARNING: To reduce the risk of fire or electric shock, do not use this fan with any solid-state speed control device.

WARNING: To avoid any electrical shock, be sure electricity is turned off at the main fuse box before wiring.

6.1 Install the ball end of the downrod into the opening of the mounting bracket. Rotate the downrod until the tab on the mounting bracket is securely seated in the slot in the downrod ball, as shown in the enlarged image in Fig. 6.1.

WARNING

The fan and/or downrod should not rotate in the mounting bracket when installed correctly. Failure to properly align the slot in the downrod ball with the tab on the mounting bracket may result in the fan falling, causing serious injury or death.



6.2 Attach the other end of the safety cable to a secure location. Fasten the safety cable to the ceiling using a screw and washer (not included), as depicted in Fig. 6.2.

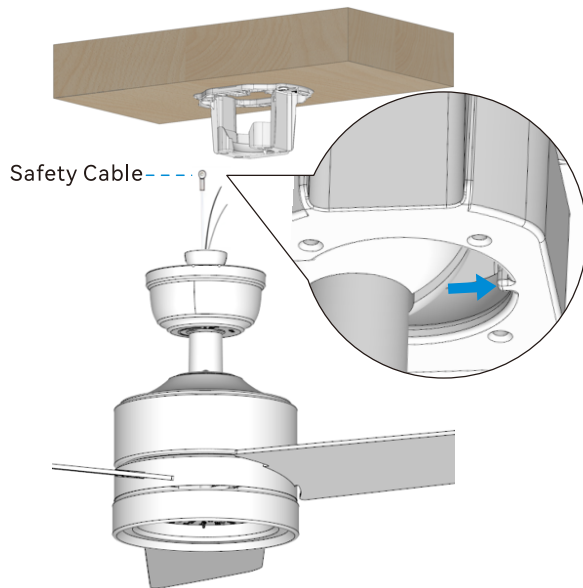


Fig. 6.1

Note: Installing the ceiling fan with a safety cable is an extra safety feature. It secures the fan to the ceiling hook or other attachment point and prevents the fan from falling even in the case of material failure.

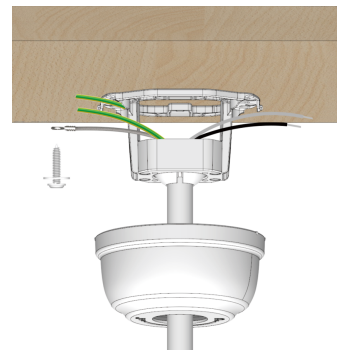


Fig. 6.2

Installation: Wiring

7. Connect the Wiring

WARNING: Check to see that all connections are tight, including ground, and there are no visible bare wires at the wire nuts (except for the ground wire).

WARNING: To avoid any electrical shock, be sure electricity is turned off at the main fuse box before wiring.

WARNING: To reduce the risk of fire or electrical shock, do not use this fan with any other solid-state speed control device.

Securely connect the Green/Yellow wires from the mounting bracket and the downrod ball to the supply Ground wire using a wire nut.

Securely connect the White wire from the fan to the supply White (Neutral) wire, and the Black wire from the fan to the Black wire (AC TO FAN) from the wall control using wire nuts.

Securely connect the Brown wire (AC IN L) from the wall control to the supply Black/Red (Hot/Live) wire using a wire nut.

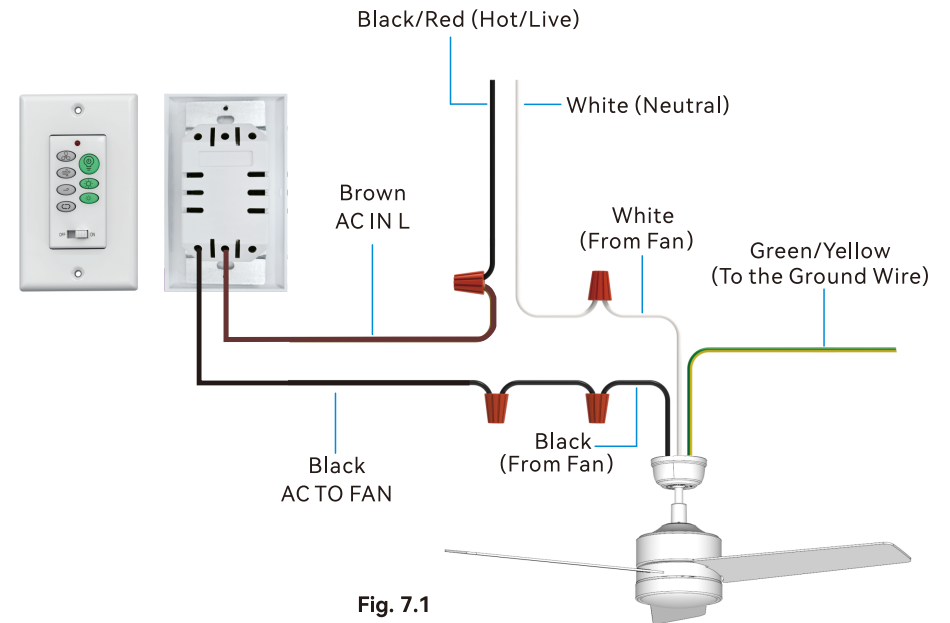


Fig. 7.1

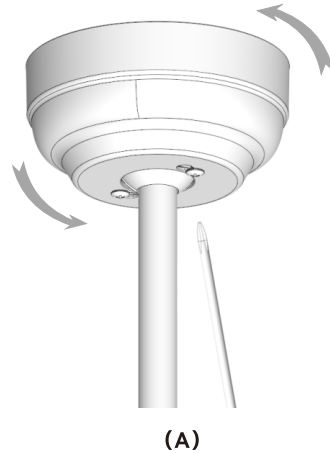
Installation: Canopy

8. Install the Canopy

There are two types of canopies and two ways to install them. Please follow the instructions below before installation.

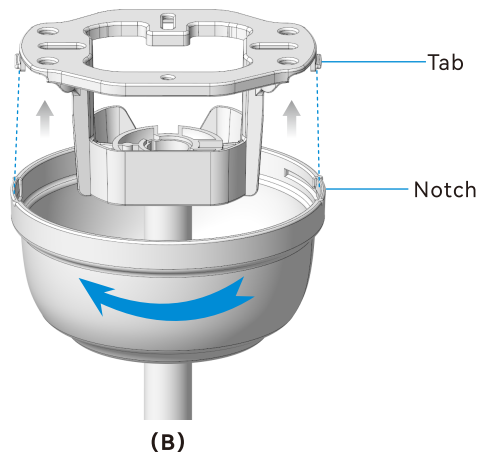
A: The screws of the mounting bracket are exposed.

Make sure all wires are tucked into the canopy. Raise the canopy to the mounting bracket and align the holes in the canopy with the two mounting bracket screws. Then, turn the canopy in the direction of the arrow shown in Fig. A until the mounting bracket screws engage from the larger slots of the canopy to the smaller ones. Tighten the screws securely to fix the canopy onto the mounting bracket.



B: There are no screws on the mounting bracket.

Make sure all wires are tucked in the canopy. Raise the canopy to the mounting bracket and align the two notches inside the top of the canopy with the two tabs on the top of the mounting bracket. Attach the canopy by lifting and twisting it until it stops.



Installation: Lampshade

9. Install the Lampshade

Align the slots of the lampshade with the slots of the light kit pan, and turn the lampshade clockwise to securely lock it into place, as shown in Fig. 9.1.

Note: Do not over tighten the lampshade.

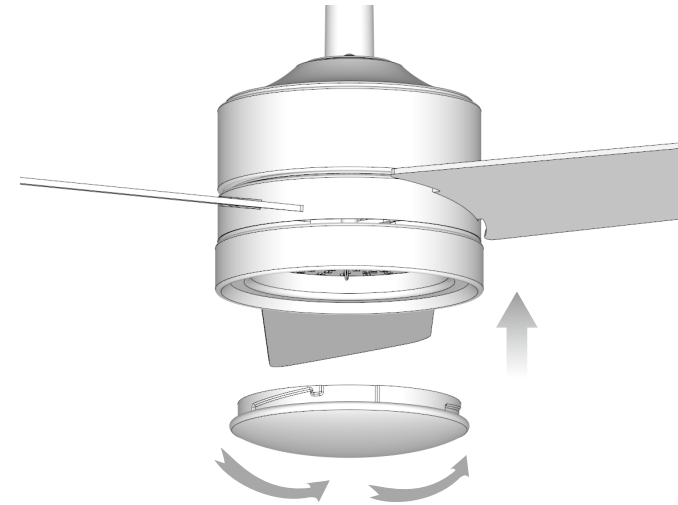


Fig. 9.1



Installation: Wall Control / Power On

10. Install the Wall Control

Securely tuck the wire connections and the wall control inside the wall outlet box, then secure the wall control with the two wall control screws.

Align the two holes on the wall control plate with the two holes on the wall control.

Securely fasten the wall control plate to the wall control with the two wall control plate screws. Make sure all screws are securely fastened.

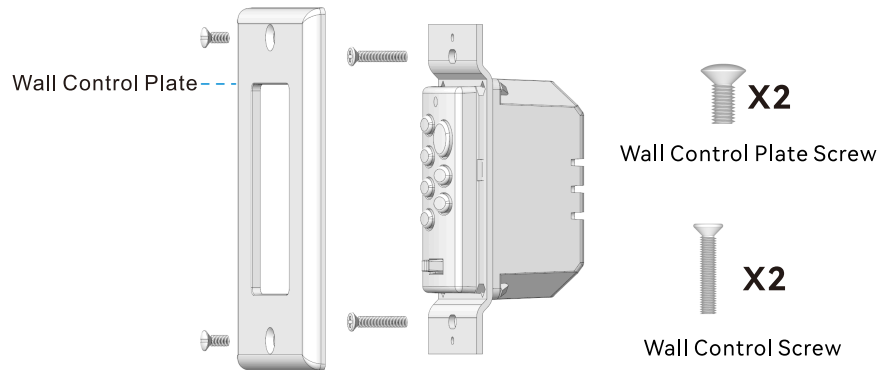
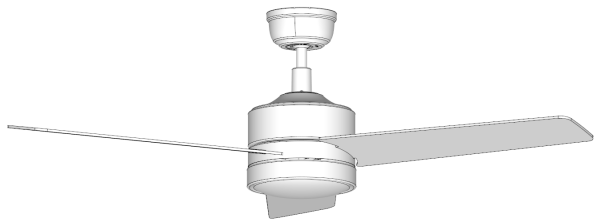


Fig. 10.1

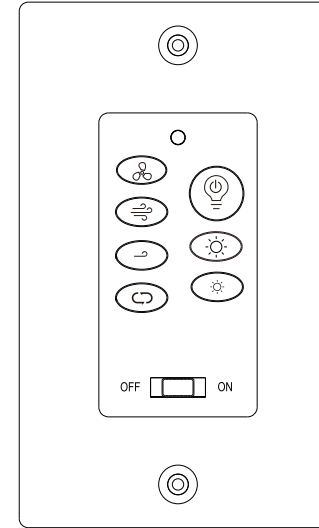
11. Power On

At this time, the ceiling fan has been installed. Turn on the power supply from the circuit breaker of the main switch or the room where the ceiling fan is installed. Once the power is on, turn on the main power switch of the wall control and check to see if the fan light is illuminated.

Note: Please be aware that this ceiling fan may produce noticeable operating sounds at specific wind speeds. This is a normal operating characteristic and does not indicate any issues with its functionality.



Wall Control Operation



OFF ON **Main Power Switch**

To enable the normal operation of the fan, manually turn the main power switch to the "ON" position.


If the fan will not be used for an extended period, turn the main power switch to the "OFF" position to place the fan in a powered-off state.

Power-On Status: When the main power switch is turned on, the fan and light will operate according to the last used settings.

Power-Off Memory Function:

If the fan is running and there is a sudden power outage, the fan and light will automatically resume operation at the last used settings when power is restored due to the power-off memory function, unless there is subsequent user intervention.


Fan ON / OFF

In standby mode, when the fan is not in operation (in a stopped state), pressing  will initiate the fan at the previous speed setting and rotation direction when it was turned off.


When the fan is running, press  once to turn off the fan.


Fan Speed-Up

Press  once to increase the fan speed by one level, with a total of 5 speed levels (maximum is 5).

In standby mode, when the fan is not in operation (in a stopped state), pressing  will initiate the fan at the previous speed setting and rotation direction when it was turned off.

Fan Speed-Down

Press  once to decrease the fan speed by one level, with a total of 5 speed levels (minimum is 1).


In standby mode, when the fan is not in operation (in a stopped state), pressing  will initiate the fan at the previous speed setting and rotation direction when it was turned off.

Wall Control Operation


Reverse Switch

Toggle between seasonal modes:
 "Summer Mode" for counter-clockwise rotation.
 "Winter Mode" for clockwise rotation.


Light ON / OFF and Color Temperature Adjustment


In standby mode, when the light is not in operation (in an off state), pressing  will activate the light at the previous brightness level and color temperature when it was turned off.

Within 5 seconds of turning on the light, press  again to cycle through color temperature options (yellow light - yellow and white light - white light).


While the light is on, if there are no other function keys pressed within 5 seconds, press  once to turn off the light.


Increase Brightness

Press  once to increase the brightness of the light by one level, with 5 levels of brightness.

In standby mode, when the light is not in operation (in an off state), pressing  will activate the light at the previous brightness level and color temperature when it was turned off.

Decrease Brightness

Press  once to decrease the brightness of the light by one level, with 5 levels of brightness.

In standby mode, when the light is not in operation (in an off state), pressing  will activate the light at the previous brightness level and color temperature when it was turned off.

WARNING

FIRE/ELECTROCUTION HAZARD
 USE ONLY INCLUDED WALL CONTROL
 OR MANUFACTURER-APPROVED
 SPEED CONTROLS (SEE MANUAL)

RISKS: Overheating; Motor Damage;
 Electrical Shorts; Fire & Voided Warranty

Questions? (888) 253-2374

Troubleshooting

Try these troubleshooting steps before contacting Customer Service. For additional operation, maintenance, and troubleshooting information, please contact our customer service center.

SYMPTOM	POSSIBLE SOLUTION
Fan not spinning	<ol style="list-style-type: none"> Make sure the fan is getting power. Check your circuit breaker or fuse panel and wall switch for functionality. Check to make sure the fan wires are correctly connected to the house wires. Use a multi-meter and test the wiring harness to see if there is any electrical output. All the pin wiring on the circuit board must be inserted tight and in the correct position. Make sure the fan blades spin freely. Check the power to the breaker from your wall control and try working your ceiling fan manually.
Fan light not working	<ol style="list-style-type: none"> Make sure LED wires are connected to the circuit board. Make sure the whole fan is powered.
The fan is noisy and wobbling	<ol style="list-style-type: none"> Check if the blade screws are NOT rubbing against any part of the motor housing. Check the pin wires are NOT connected against any moving parts. Check the down fan cup is NOT hitting the motor. Confirm the canopy is NOT touching the ceiling while the fan is in operation. Check the down rod is NOT slanted. Tighten any loose screws on the light kit, fan blades, motor coupling, down rod, brackets and mounting hardware. Confirm the hanger ball is firmly seated in the mounting bracket. The ceiling beam must meet the minimum tensile test strength of 30kg for installation. Make sure the blades and brackets are NOT bent or deformed. Verify the wire connections are not rattling against each other. Verify the fan blades are not cracked. If the fan blades are cracked, replace the damaged blades with a new blade set from the same brand as your ceiling fan to ensure compatibility. Confirm the light kit is NOT slanting and hitting the motor.
Wall control unable to activate the fan	<ol style="list-style-type: none"> Check if the wires are connected in the correct position or not. Disconnect the power for 10 minutes, reconnect the power and activate the fan via the wall control.
Fan or light turning on or off by themselves	<ol style="list-style-type: none"> Confirm the circuit breaker is not malfunctioning. Verify the wire connections are not frayed. Cut the fan power for 10 minutes then power on again. All the pin wiring on the circuit board must be inserted tight and in the correct position.

Care & Cleaning

WARNING: Power off the fan before performing maintenance or cleaning the fan.

1. Check the support connections, brackets, and blade attachments twice a year. Make sure they are secure. Because of the fan's natural movement, some connections may become loose over time. It is not necessary to remove the fan from the ceiling.
2. Clean your fan periodically. Use only a soft brush or lint-free cloth to avoid scratching the finish. The plating is sealed with a lacquer to minimize discoloration or tarnishing.
3. (Optional) Apply a light coat of furniture polish to the wood blades.
4. (Optional) Cover small scratches with a light application of shoe polish.

DO NOT:

1. Use water when cleaning. Water could damage the motor, or the wood, or possibly cause an electrical shock.
2. Apply oil to your fan or motor. The motor has permanently lubricated sealed ball bearings.

FCC Statement

Note: This equipment has been tested and found to comply with the limits for a Class B digital device, pursuant to part 15 of the FCC Rules. These limits are designed to provide reasonable protection against harmful interference in a residential installation. This equipment generates, uses and can radiate radio frequency energy and, if not installed and used in accordance with the instructions, may cause harmful interference to radio communications. However, there is no guarantee that interference will not occur in a particular installation. If this equipment does cause harmful interference to radio or television reception, which can be determined by turning the equipment off and on, the user is encouraged to try to correct the interference by one or more of the following measures:

- Reorient or relocate the receiving antenna.
- Increase the separation between the equipment and receiver.
- Connect the equipment into an outlet on a circuit different from that to which the receiver is connected.
- Consult the dealer or an experienced radio/TV technician for help.

WARNING: Changes or modifications to this unit not expressly approved by the party responsible for compliance could void the user's authority to operate the equipment.

WARRANTY

CARRO Limited Lifetime Warranty

CARRO grants this limited warranty to the original purchaser of this CARRO ceiling fan for the original installation location.

How Can Warranty Service Be Obtained?

Warranty registration is not necessary to obtain warranty service. Please keep a copy of your original purchase receipt from the authorized vendor where your product was purchased from and provide it to a service associate for warranty service. CARRO, at its sole discretion, may accept a gift receipt. Please do not ship your fan or any fan parts to CARRO unless approved by one of our Technical Support Representatives. To obtain service, please contact CARRO online or by phone.

Email: cs@carrohome.com | Tel: (888) 253-2374

What Does This Warranty Cover ?

Motor: Three-Year Warranty

If any part of your ceiling fan motor fails within the first year due to a manufacturing defect as determined solely by CARRO, we will provide you with replacement parts free of cost. After the first year of purchase, we will provide you with two-year motor warranty service.

LED Kit: Five-Year Warranty

If your LED light kit (excluding cover) fails at any time within five years of the date of purchase due to a manufacturing defect as determined solely by CARRO, we will provide a free replacement. The five-year limited warranty applies only to the LED kit itself and does not cover other components such as the remote control, AC adapter, and PCB. These other components are included in the three-year warranty below.

Other: Three-Year Warranty

Except as otherwise indicated throughout this warranty, if any part of your CARRO ceiling fan fails at any time within three years of the date of purchase due to a manufacturing defect as determined solely by CARRO, we will provide a free replacement part.

What Does This Warranty NOT Cover ?

Labor Excluded: This warranty does not cover any costs or fees associated with labor (including electrician's fees) required to install, remove, or replace a fan or any fan parts.

The warranty does not cover remote control batteries. Fans installed outside the United States or owned by someone other than the original purchaser are excluded from warranty coverage. The warranty will be invalid if the customer fails to establish proof of purchase or if the fan was purchased from an unauthorized dealer.

The warranty does not cover normal wear and tear or cosmetic damages. If the fan is damaged due to improper installation, misuse, improper care, modifications to the fan, improper or incorrectly performed maintenance or repair, improper voltage supply or power surge, use of improper parts or accessories, failure to provide maintenance to the fan, or natural disasters (e.g. flood), the warranty will not cover it. The warranty also does not cover any accidental damages.

The warranty only applies to the original purchase and starts from the original purchase date. Any replacements will be considered as a part of the original purchase.