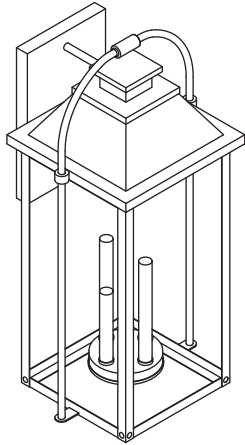
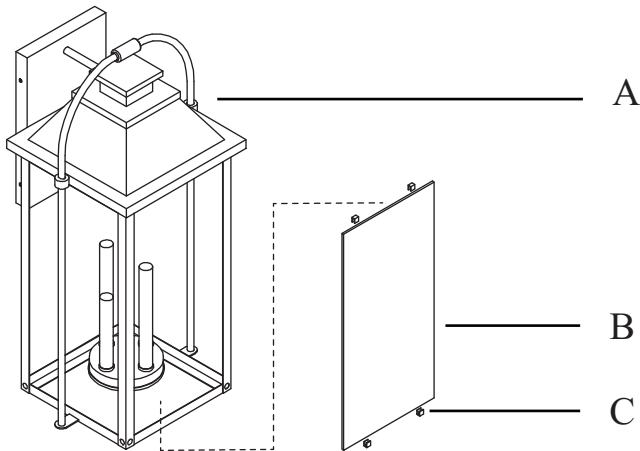


# Instruction Manual

## Outdoor Wall Sconce



### PACKAGE CONTENTS



PART	DESCRIPTION	QUANTITY
A	Fixture body	1
B	Glass	4
C	Silicone clip	16

### HARDWARE CONTENTS(shown actual size)



Short  
monting x 4  
screw

(Short mounting screws are  
already on the backplate)



Wire nut x 3



Long  
monting x 2  
screw



Mounting plate  
(Not actual size) x 1

### ! SAFETY INFORMATION

Please read and understand this entire manual before attempting to assemble, operate or install the product.

### ! WARNING

- TURN OFF ELECTRICITY at main fuse box (or circuit breaker box) before beginning installation by removing fuse (or switching off circuit breaker).
- MINIMUM 90°C SUPPLY CONDUCTORS.

### PREPARATION

Before beginning assembly of product, make sure all parts are present. Compare parts with package contents list and hardware contents list. If any part is missing or damaged, do not attempt to assemble the product.

**Estimated Assembly Times: 25 minnutes**

Tools Required for Assembly (not included): Flathead screwdriver , Phillips screwdriver, Pliers, Electrical tape, Wire cutters, Safety glasses.

Helpful Tools (not included): Wire strippers, Step ladder.

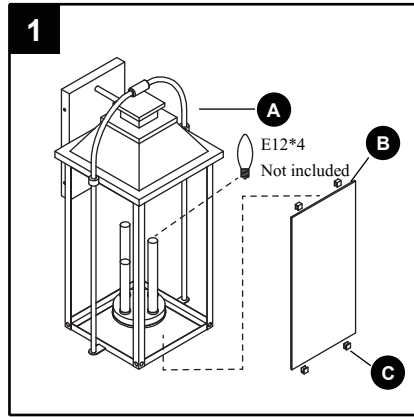
**Customer Service: [service@24h-reply.com](mailto:service@24h-reply.com)**

## ASSEMBLY INSTRUCTIONS

1. As shown in the figure on the right, install light bulbs, assemble glass panels (Please refer to the Glass Assembly for details).

### Hardware Used

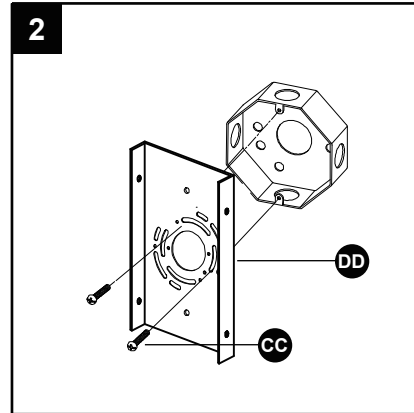
- A** Fixture x 1
- B** Glass x 4
- C** Silicone clip x 16



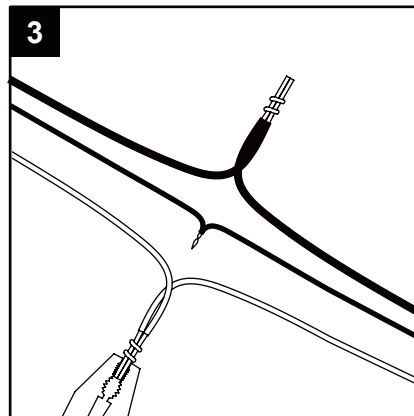
2. Attach the mounting plate (DD) to the outlet box (not included) with the long mounting screws (CC).

### Hardware Used

- CC** Long mounting screw x 2
- DD** Mounting plate x 1



3. Strip 3/4 in. of insulation from wire ends. Twist stripped ends together with pliers (not included), black to black (power) and white to white (neutral). Attach copper wire to ground wire. Helpful hint: If necessary, attach copper ground wire to grounded outlet box.

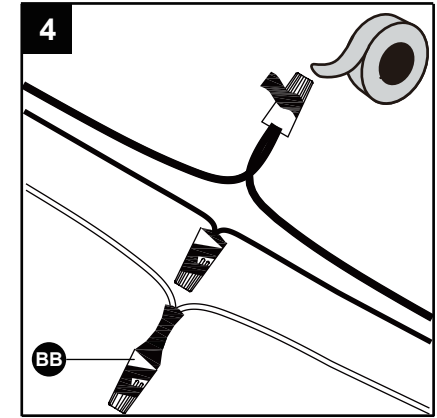


## ASSEMBLY INSTRUCTIONS

4. Attach wire nuts (BB). Tape wire nuts (BB) and wires together.

### Hardware Used

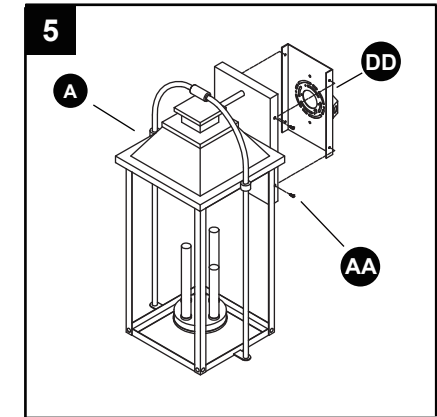
- BB** Wire nut x 3



5. Attached the Fixture(A) onto the wall, align the backplate with the mounting plate(DD), secure with short mounting screws (AA).

### Hardware Used

- AA** Short mounting screw x 4
- DD** Mounting plate x 1



**CAUTION:** To avoid any waterproofing problems, please make sure the light fixture fits the mounting surface perfectly installation and use waterproof glue around the canopy for better sealing after installation.