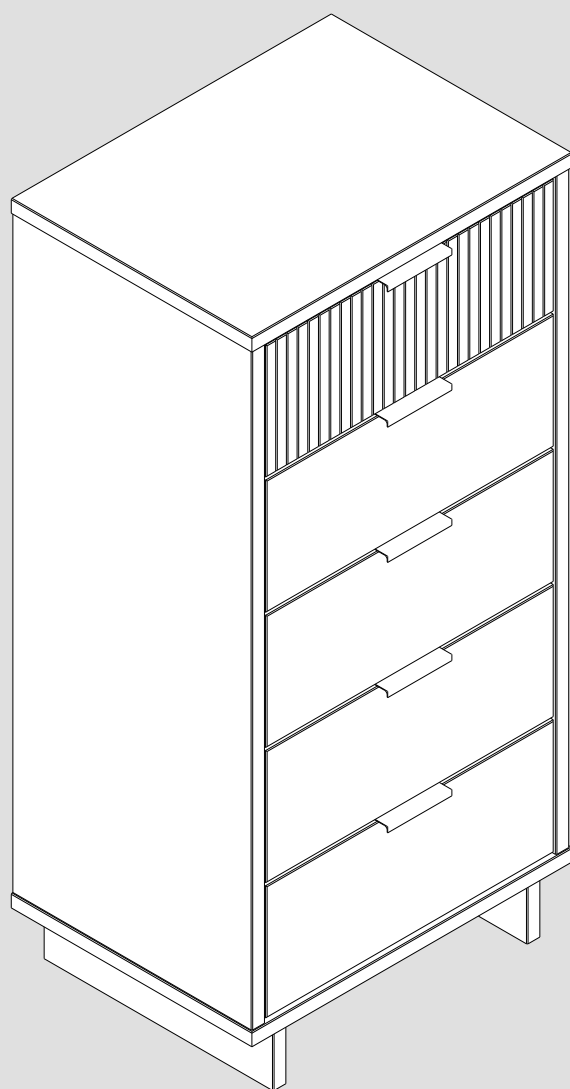




MANHATTAN
COMFORT

GRAN01

DR-500



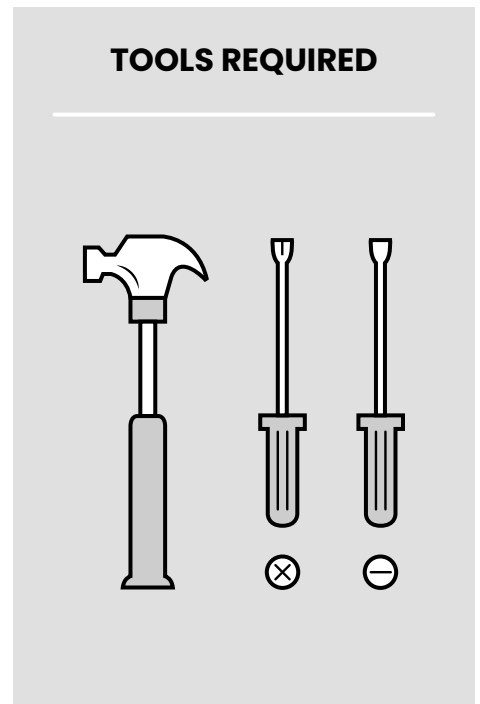
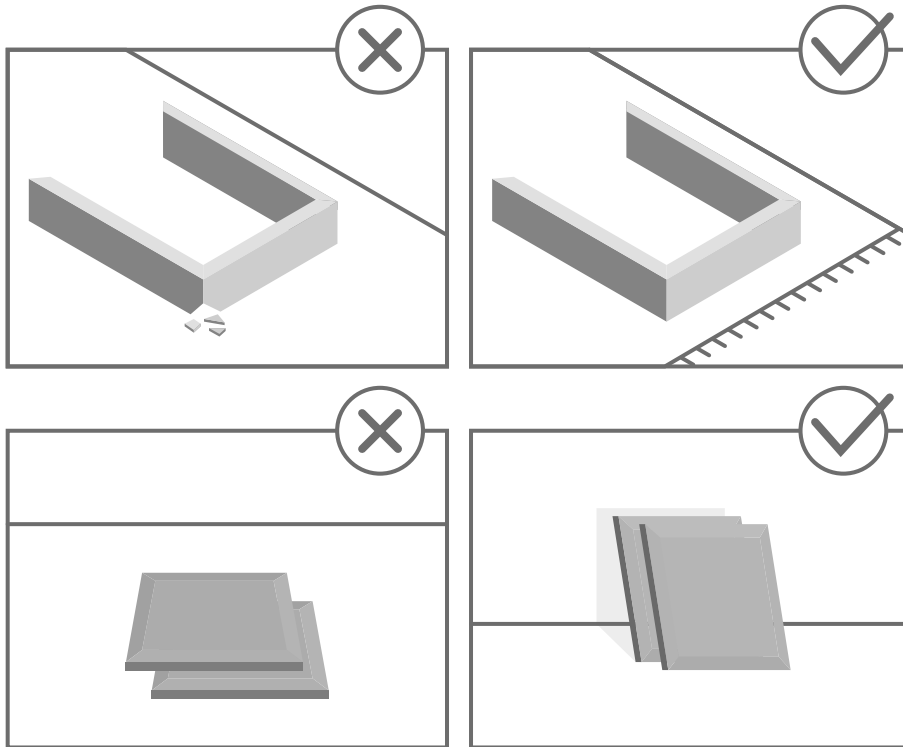


STOP!

Before beginning the assembly process, ensure all boxes and parts have been delivered.

FOR BEST RESULTS:

- Do not throw away packaging materials until assembly is complete.
- Assemble item on a soft surface, such as cardboard or carpet, to protect finish.
- Proper assembly requires two people.



View our assembly video online:
WWW.MANHATTANCOMFORT.COM

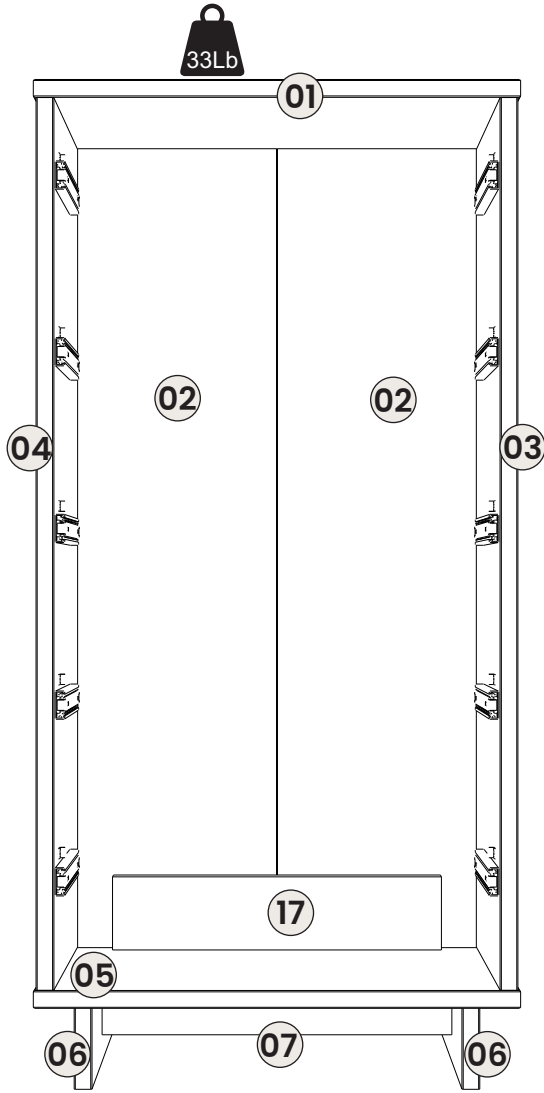


Stuck? Question? We are here to help.
tel: **908-888-0818**
e-mail: help@manhattancomfort.com

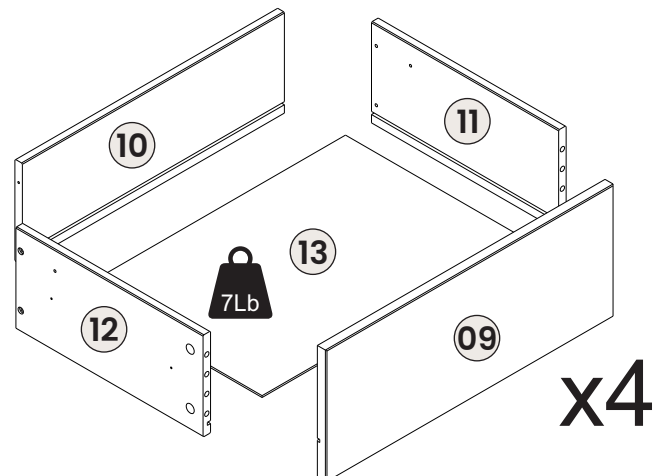
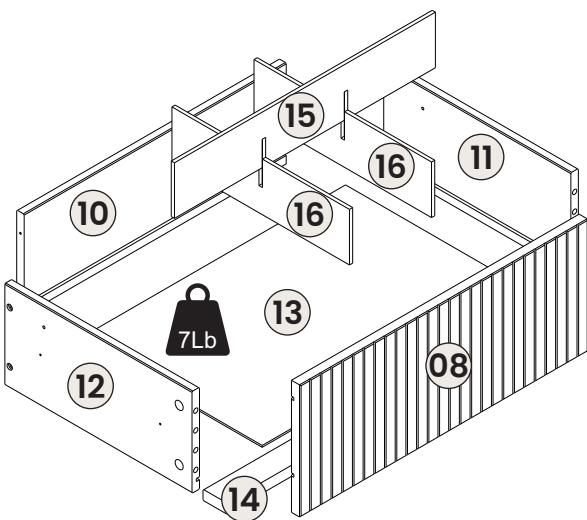
SUPPORT SITE



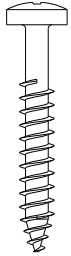
Included in this package:



01. Top Panel	x1
02. Back Panel	x2
03. Right Side Panel	x1
04. Left Side Panel	x1
05. Bottom Panel	x1
06. Foot	x2
07. Feet Crossbar	x1
08. Top Drawer Front	x1
09. Drawer Front	x4
10. Drawer Back	x5
11. Drawer Right Side	x5
12. Drawer Left Side	x5
13. Drawer Bottom	x5
14. Top Drawer Support	x1
15. Top Drawer Larger Division	x1
16. Top Drawer Smaller Division	x2
17. Back Rail	x1



Included in this package:



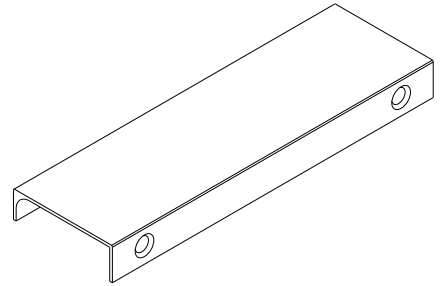
A x 20
#69



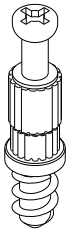
B x 40
#23857



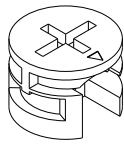
C x 10
#259



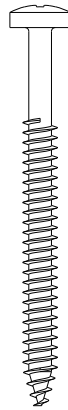
D x 5
#PX.017



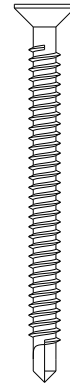
E x 26
#10385



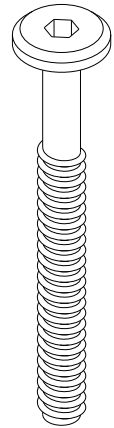
F x 26
#10386



G x 4
#284



H x 10
#11169



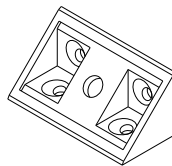
I x 5
#292



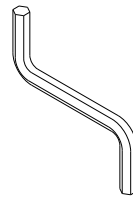
J x 1
#KT.002



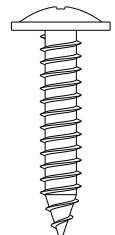
K x 52
#1616



L x 8
#CA.002



M x 1
#2196



N x 10
#PA.010

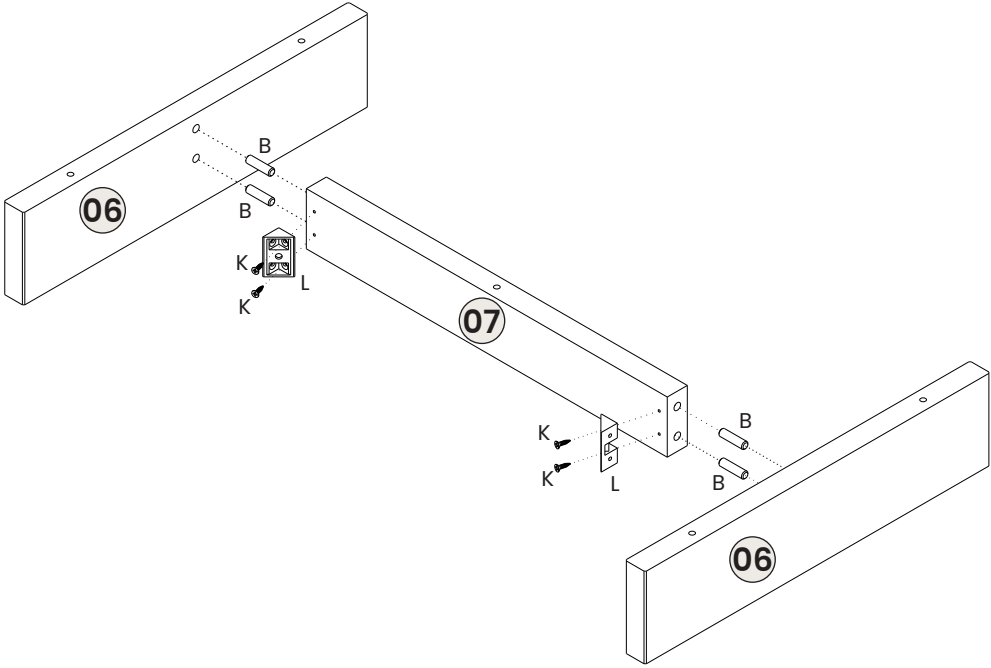
Where to find the itens

Box 1				
01	11	69	10386	1616
05	12	23857	284	CA.002
08	13	259	11169	2196
09	15	PX.017	292	PA.010
10	16	10385	KT.002	

Box 2	
02	07
03	14
04	17
06	

01

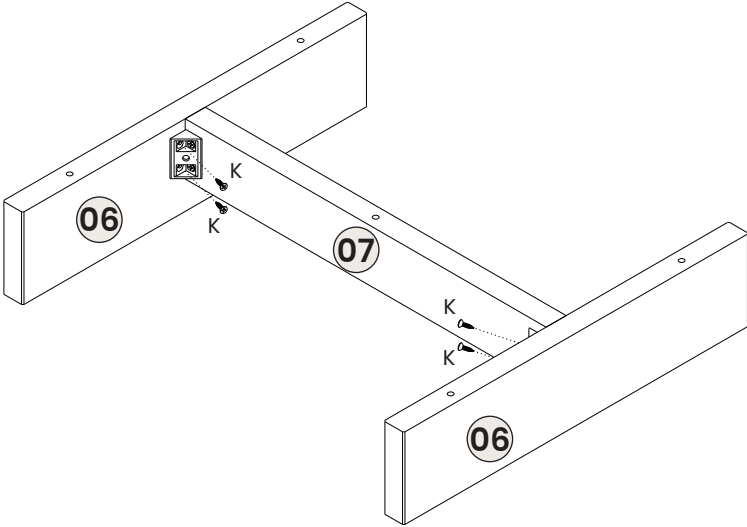
Fix the hardware L to part 07 with screw K.
Then, attach the parts 06-07 with the hardware B.




B x 4 	L x 2 	K x 4 
--	---	---

02

Fix the part 07 to part 06 with screw K.

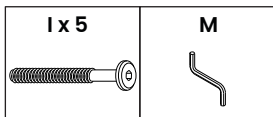
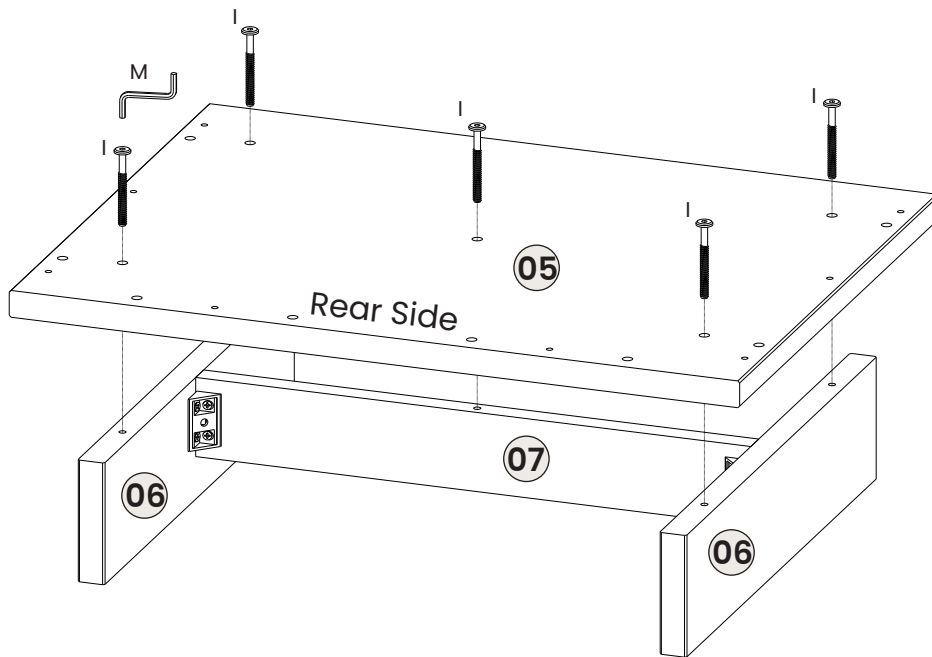


K x 4 

03

Fix the part 05 to parts 06-07 with screw I and tool M.

06

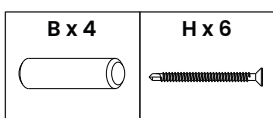
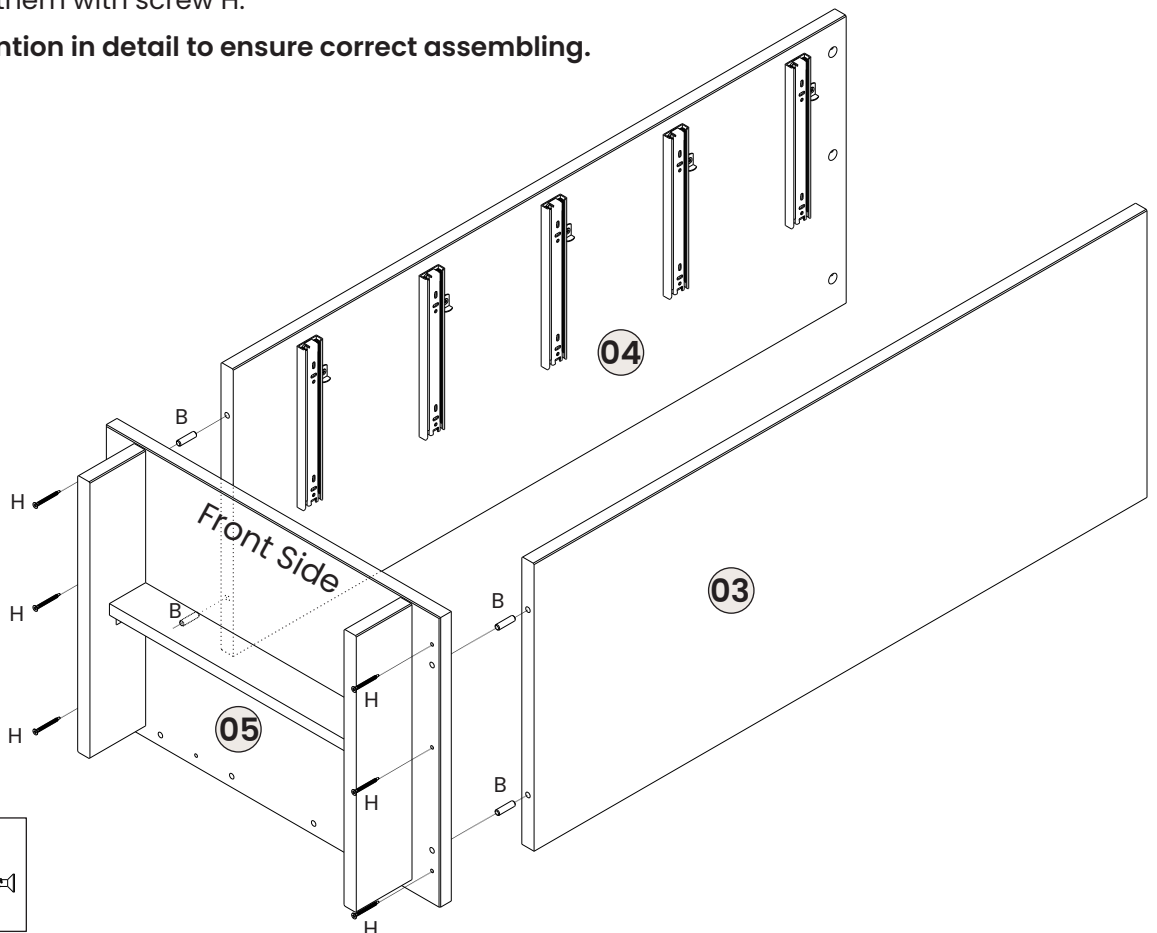


04

Attach the parts 03-04 to part 05 with hardware B.

Then, fix them with screw H.

Pay attention in detail to ensure correct assembling.

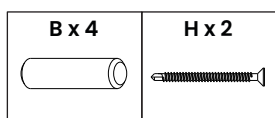
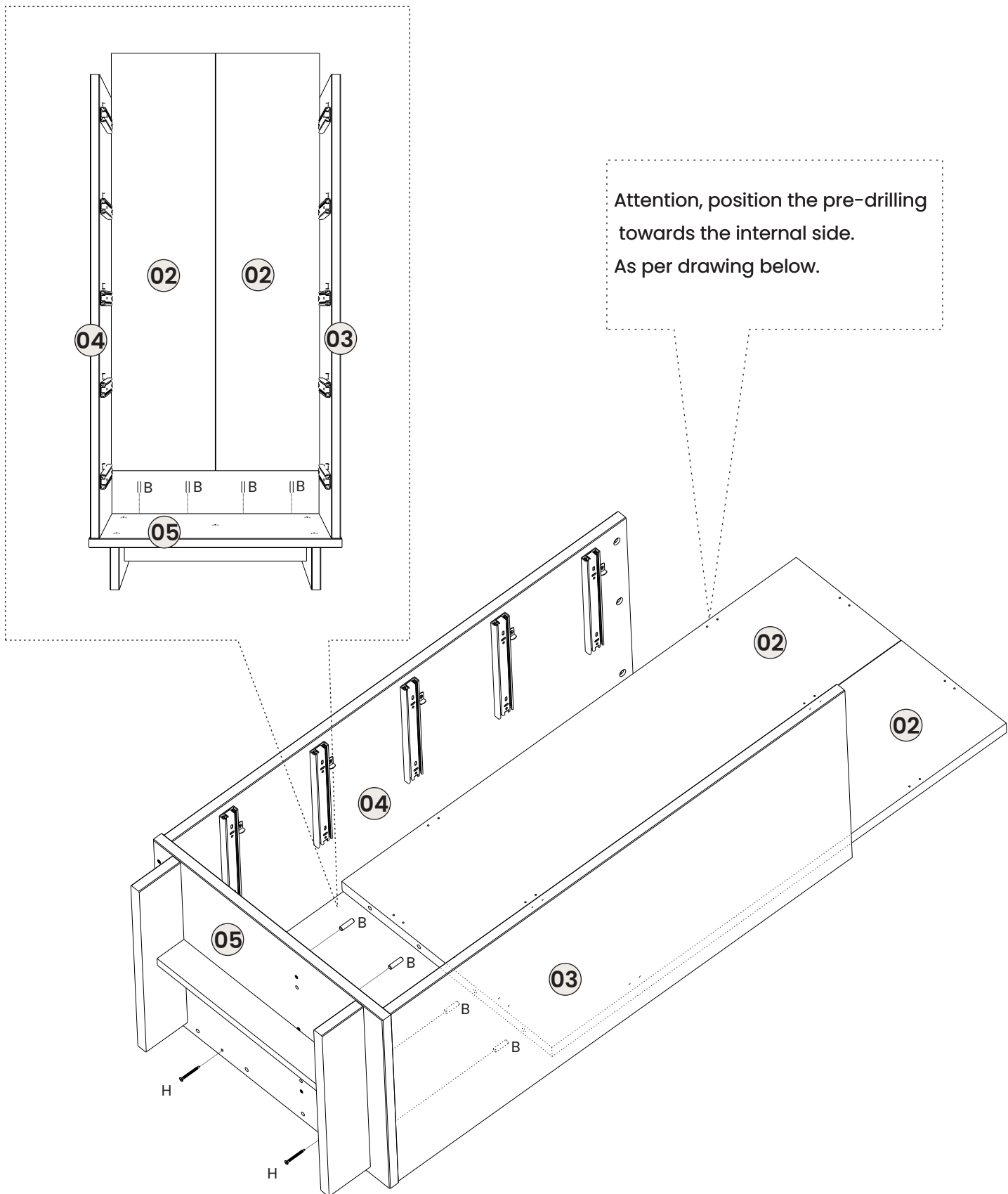


05

Attach part 02 to parts 03-04-05 with hardware B.

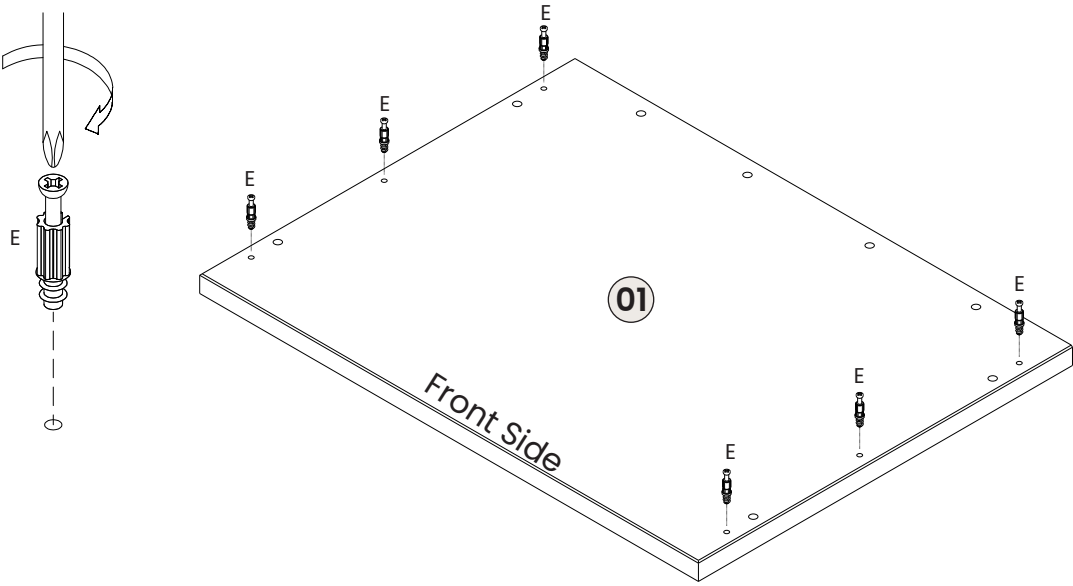
Then secure them with screw H.

07



06

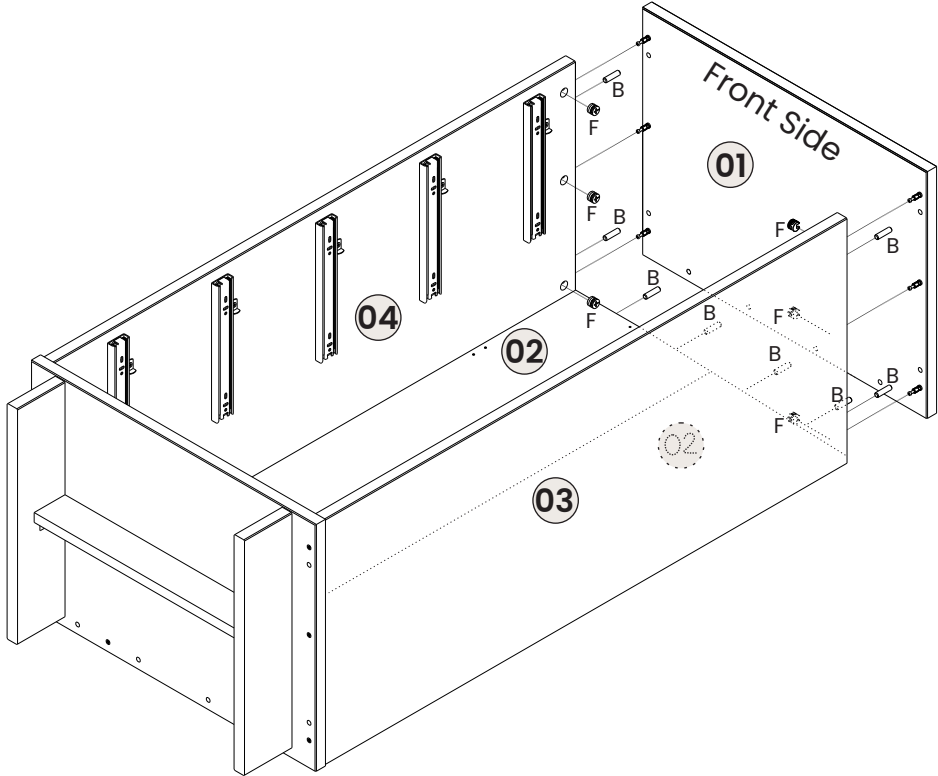
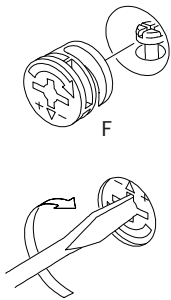
Fix the hardware E to part 01.



Ex 6

07

Attach the part 01 to parts 02-03-04 with hardware B.
 Then, apply the hardware F and lock it according the example below.
Pay attention in detail to ensure correct assembling.



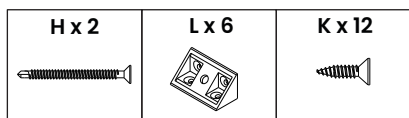
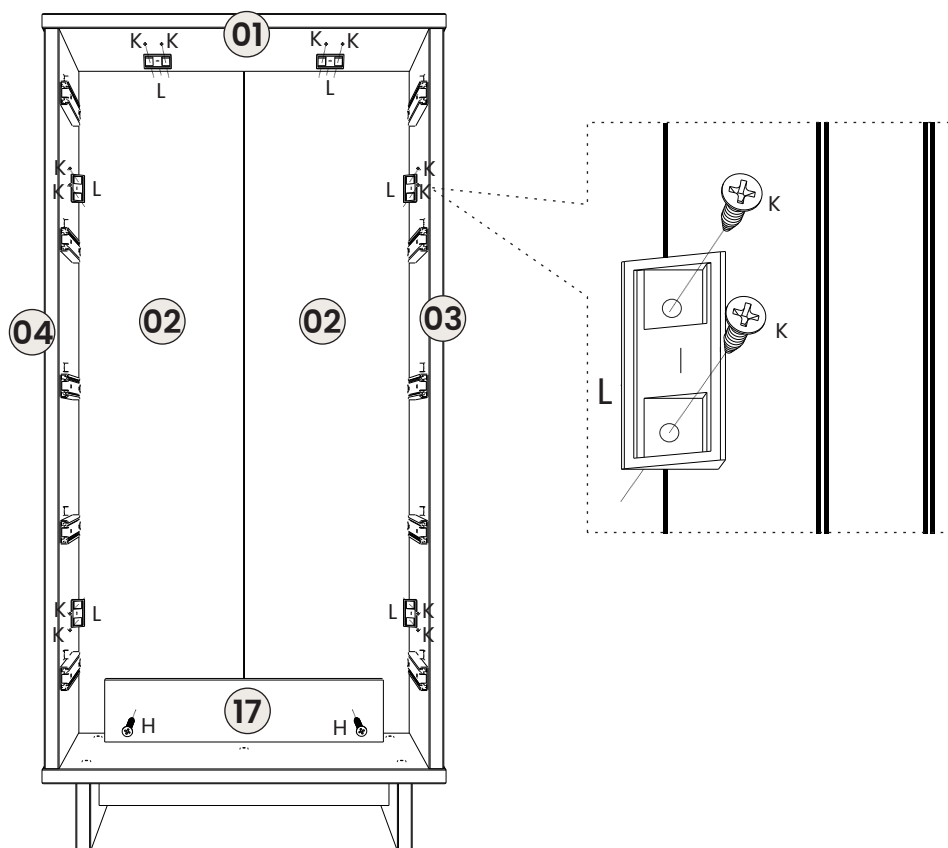
B x 8	F x 6

08

Attach part 17 to part 02 with screw H.

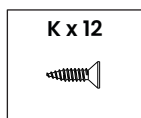
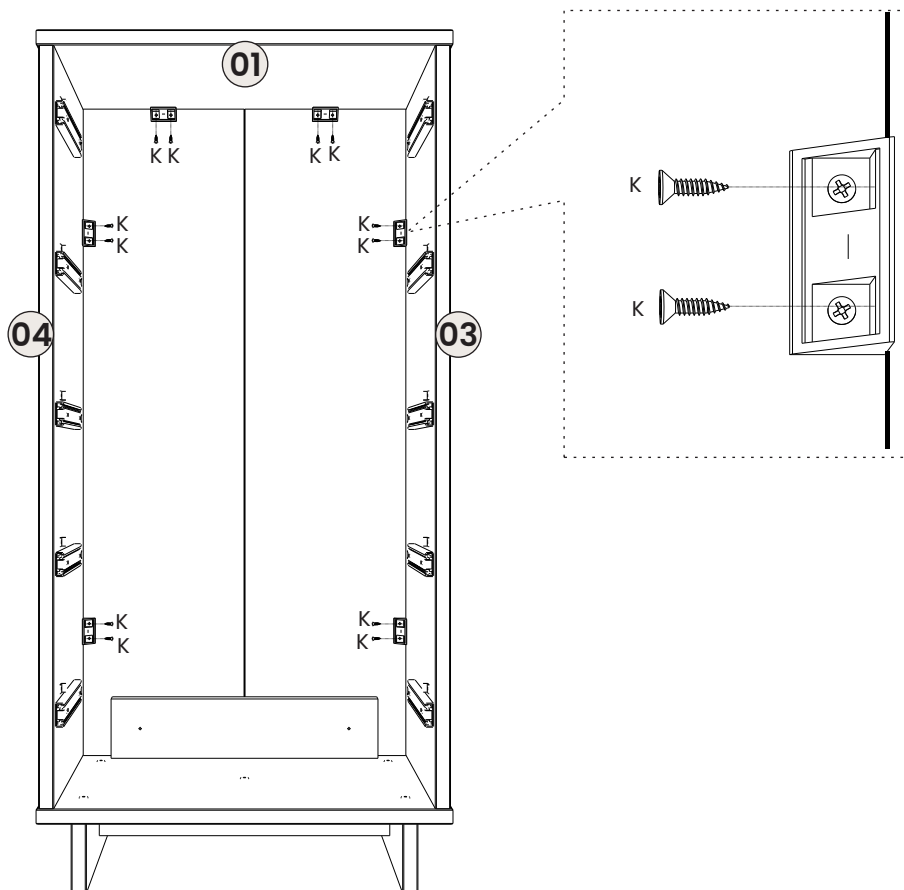
Fix harware L with screw K in part 02 in the pre-drilled holes idicated.

09

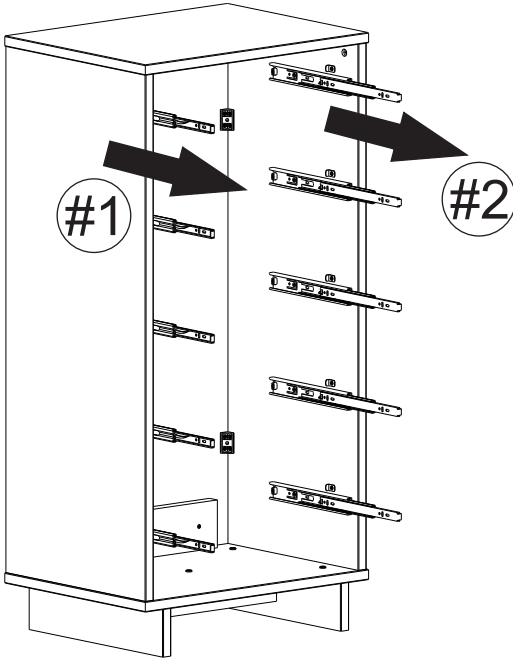


09

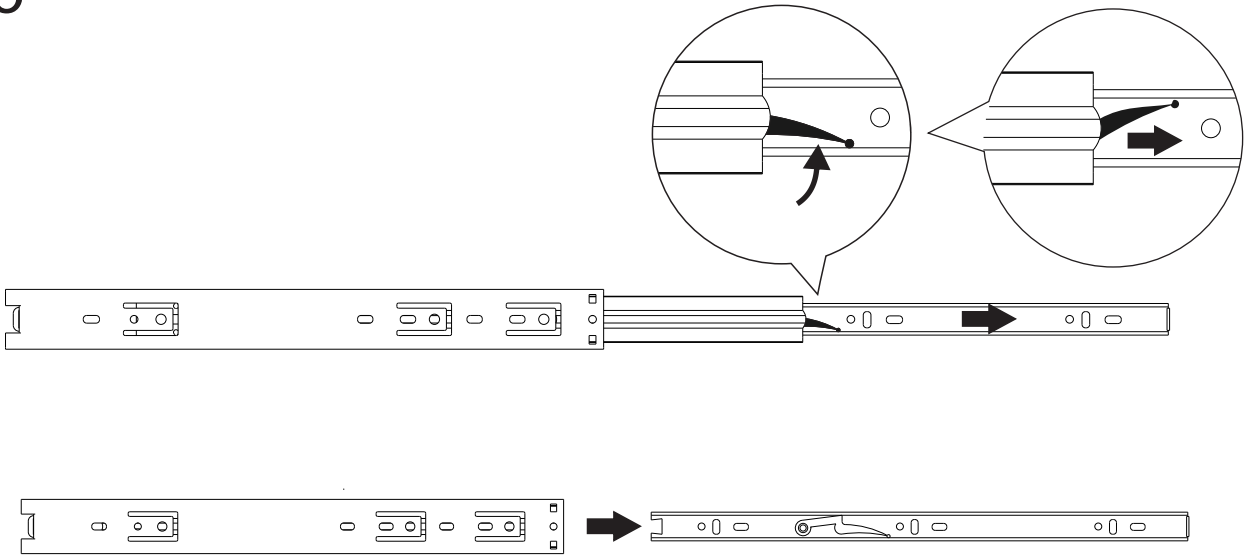
Fix screw K on parts 01-03-04.



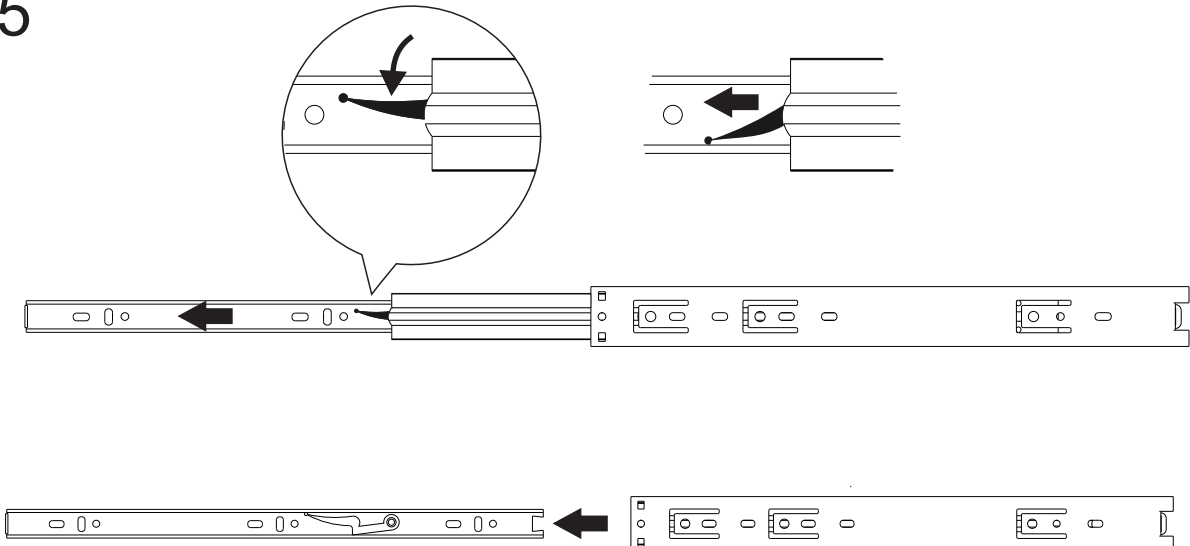
Remove the inner part of the slide as shown in the example below.



#1 x5



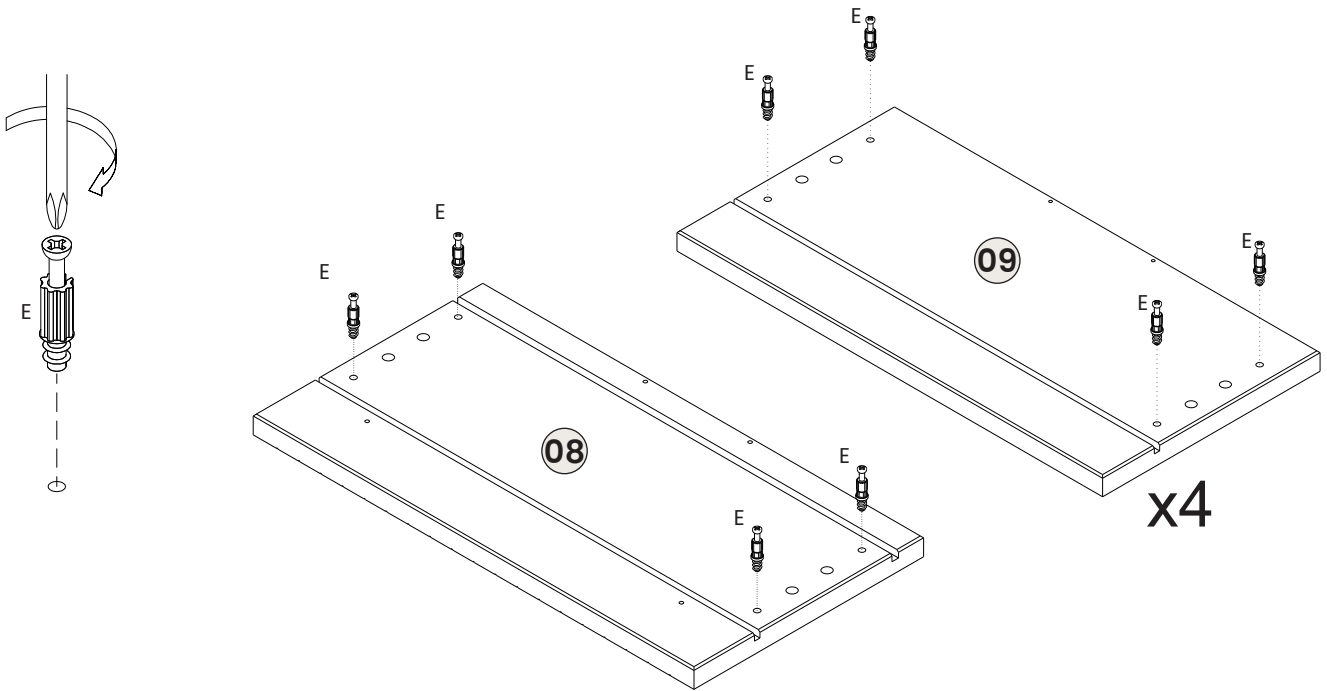
#2 x5



11

Fix hardware E to parts 08 and 09.

11



E x 20

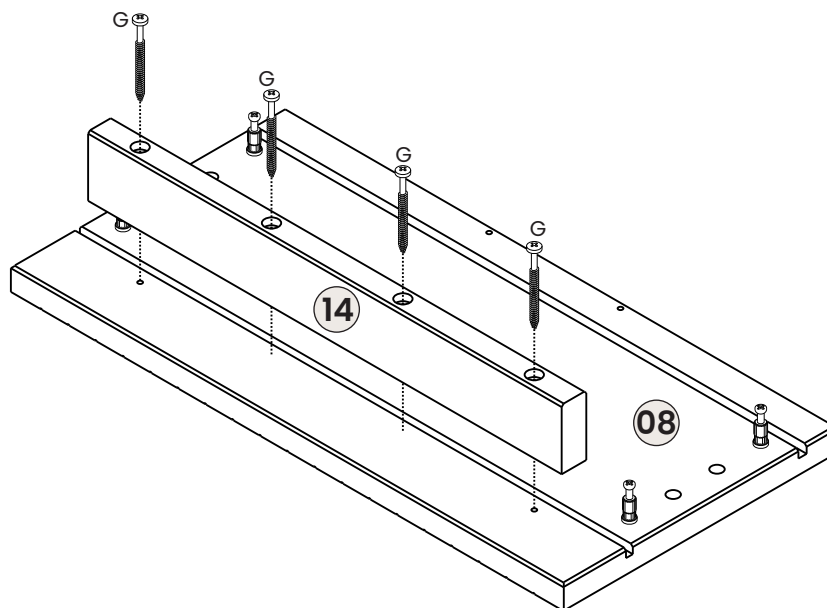


12

Specially to part 08, fix the part 14 with screw G.

Please, start by arranging the ends using the pre-drills.

Then fix the intermediate screws.

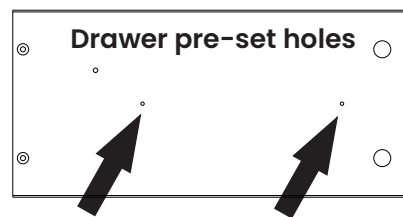
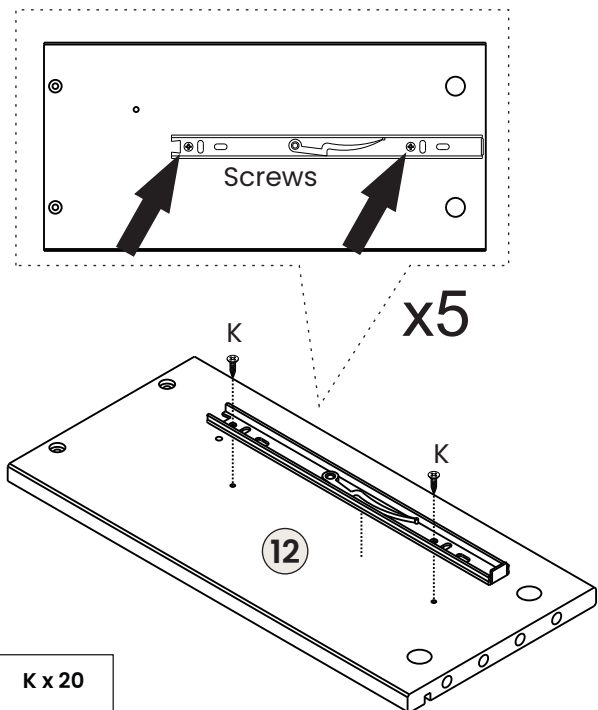


G x 4

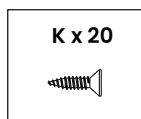
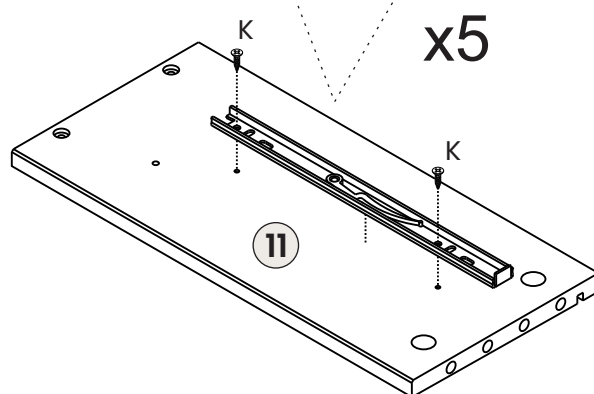
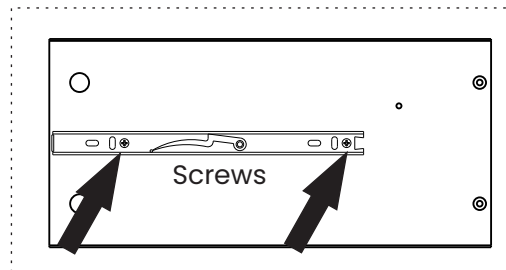


13

The sides of the drawers have pre-defined holes to help with fixing.
Correctly position the internal part of the slide (removed in step 10 on page 10)
with the pre-defined hole on the drawer side.
Then fix them with screw K.



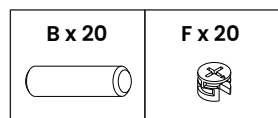
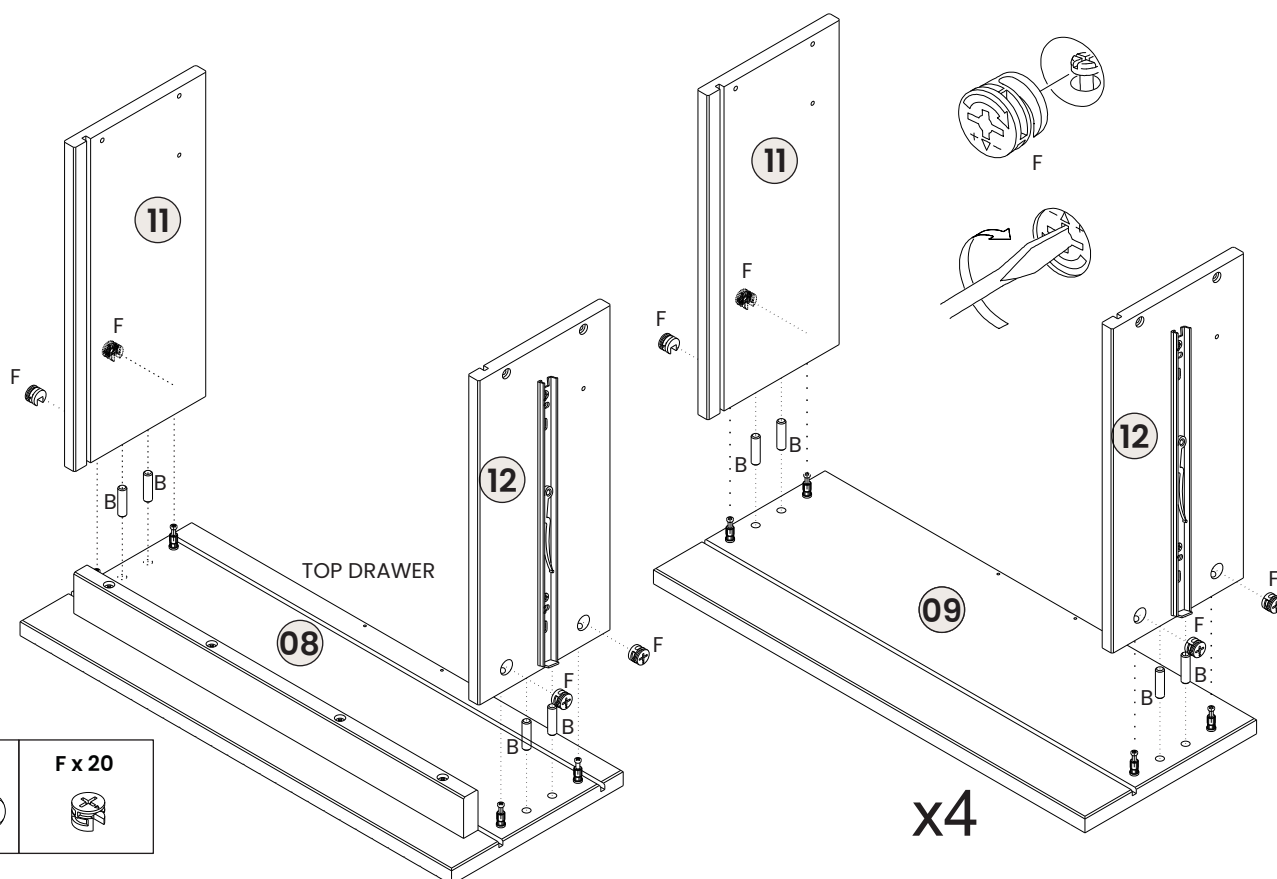
12



K x 20

14

Attach the parts 08 to parts 11-12 with hardware B.
Then, apply the hardware F and lock it according the example below.
Equally, the same process is applied to parts 09-11-12.

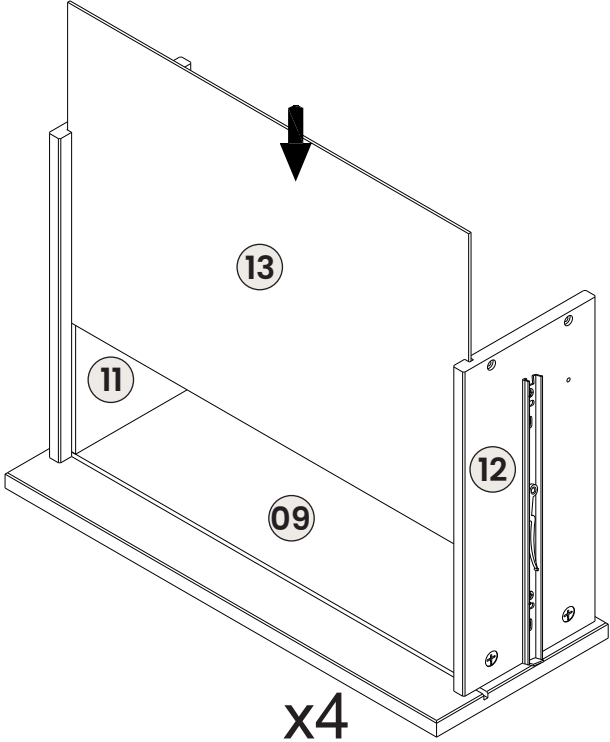
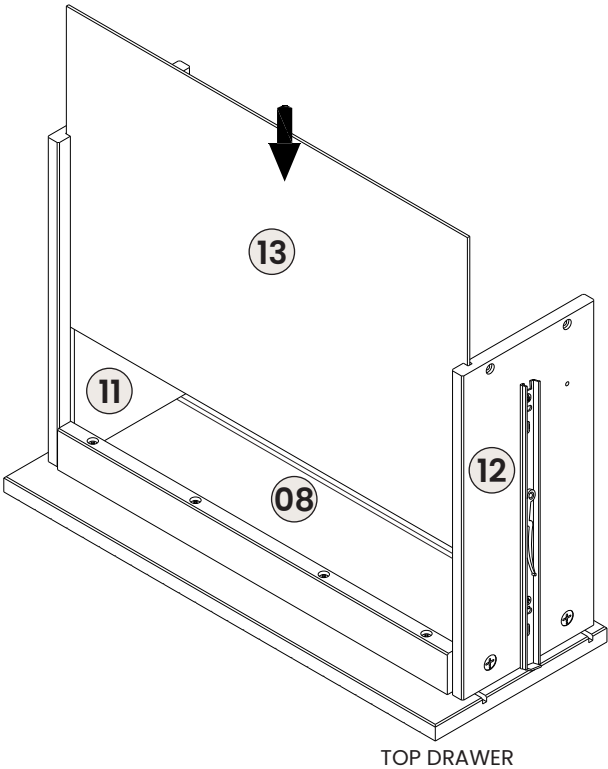


x4

15

Apply the part 13 in the groove of the parts 11-12.

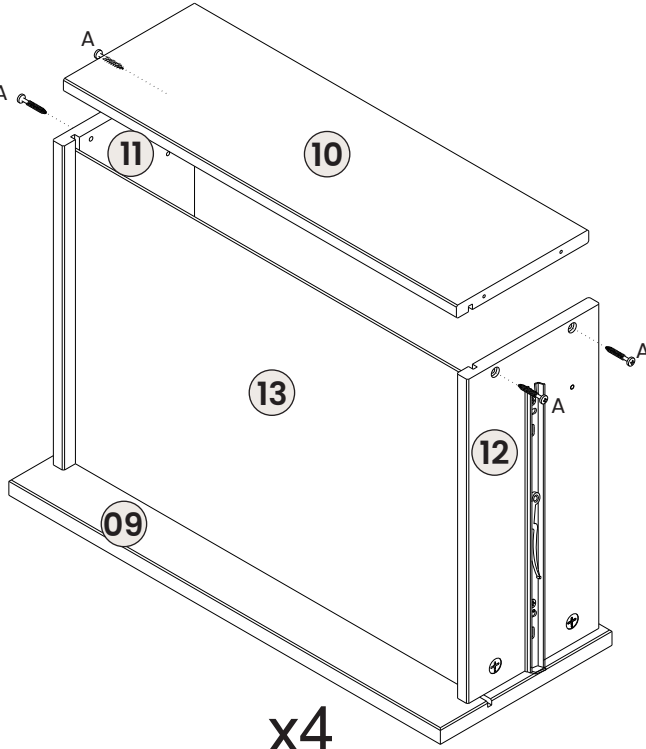
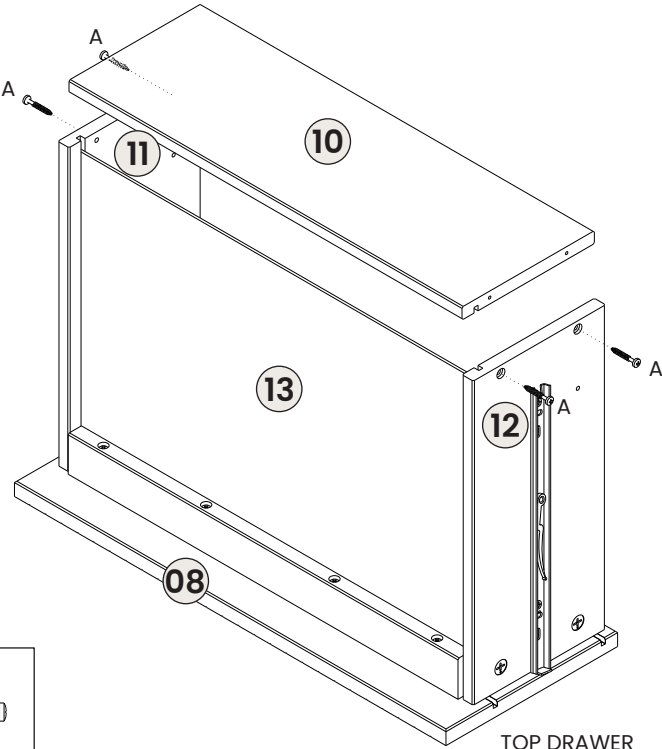
13



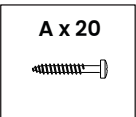
x4

16

Attach the part 10 to parts 11-12-13. Then, fix the parts 11-12 to part 10 with screw A.

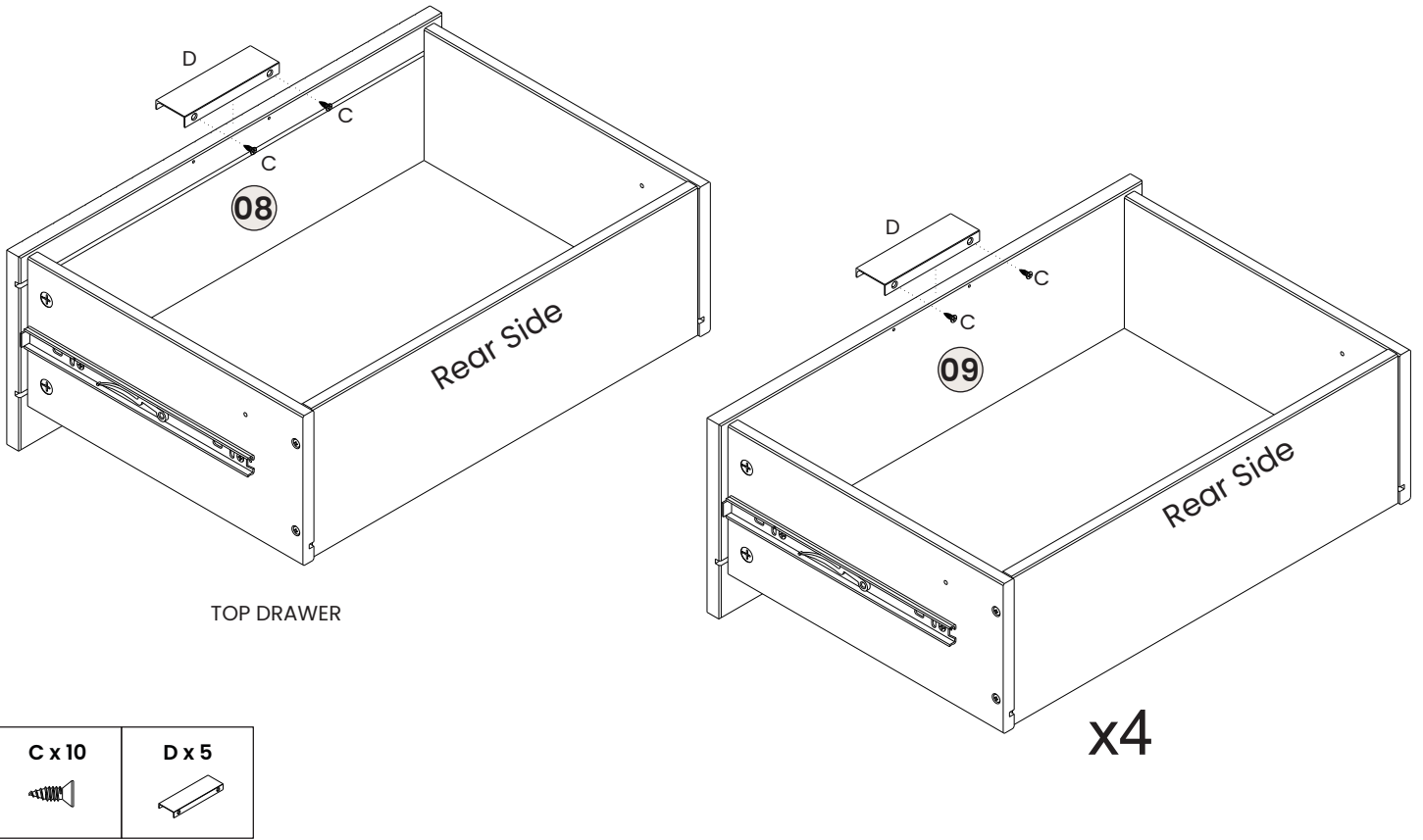


x4

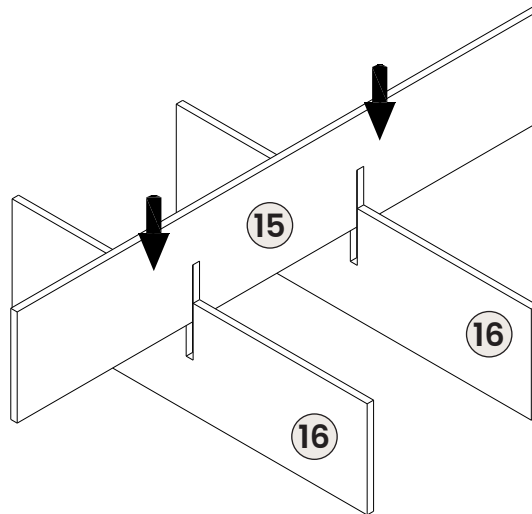


TOP DRAWER

17 Apply the hardware D to parts 08-09.
Then, fix them with screw C.



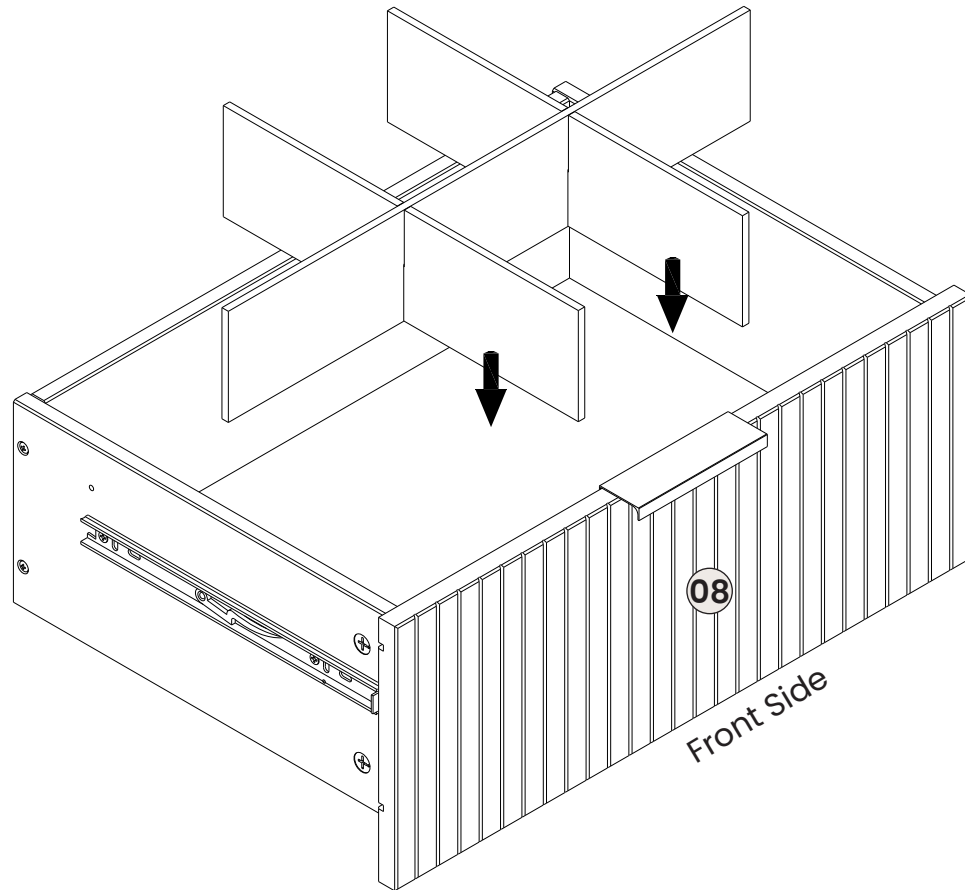
18 Attach part 15 to parts 16.



19

Attach Assembled Division from the last step into the Top Drawer identified by part 08.

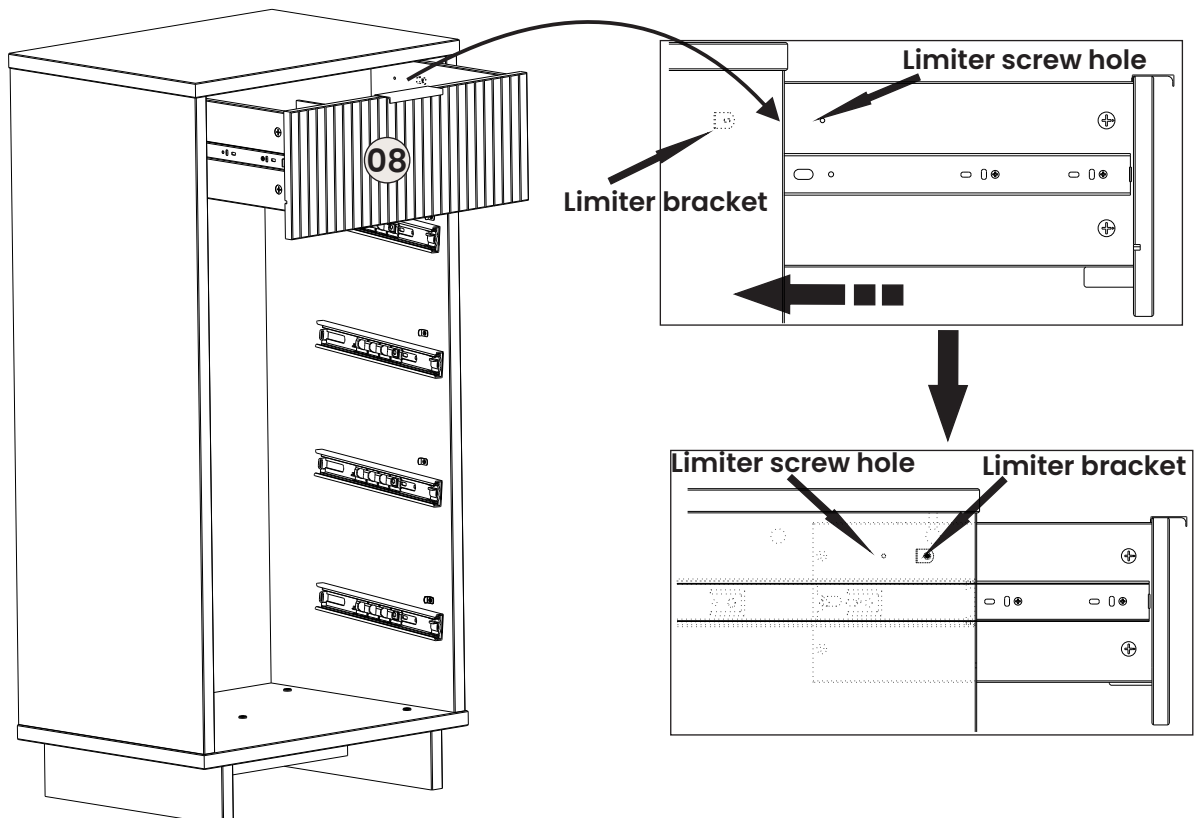
15



20

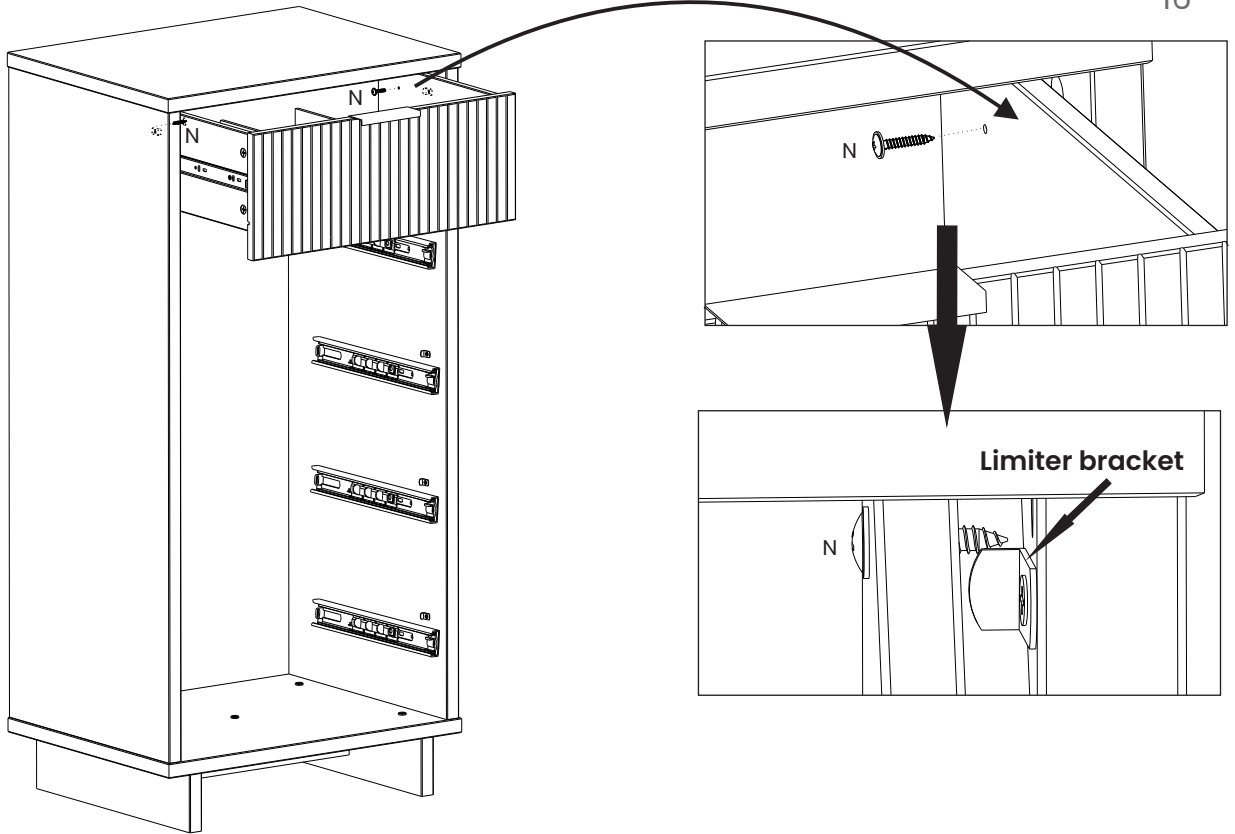
Insert the drawer carefully. You must put a drawer opening limiter screw.

Firstly, keep the drawer partially open so that the limiter screw hole is behind the limiter bracket according to the detail.



21

ATTENTION: ensure the limiter screw hole is before the limiter bracket.
Then, place the screw #PA.010 to retain the full opening of the drawer.

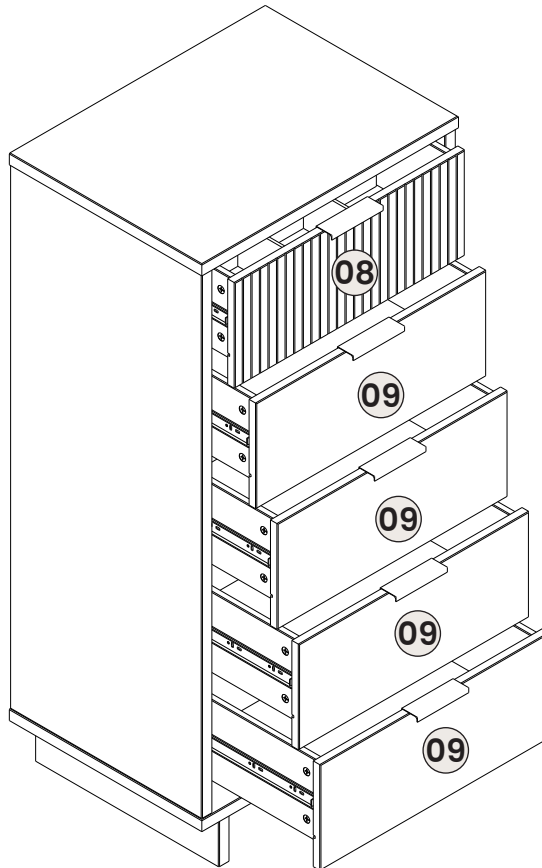


N x 2



22

Apply the same process to drawer opening limiter to the others drawers.



N x 8



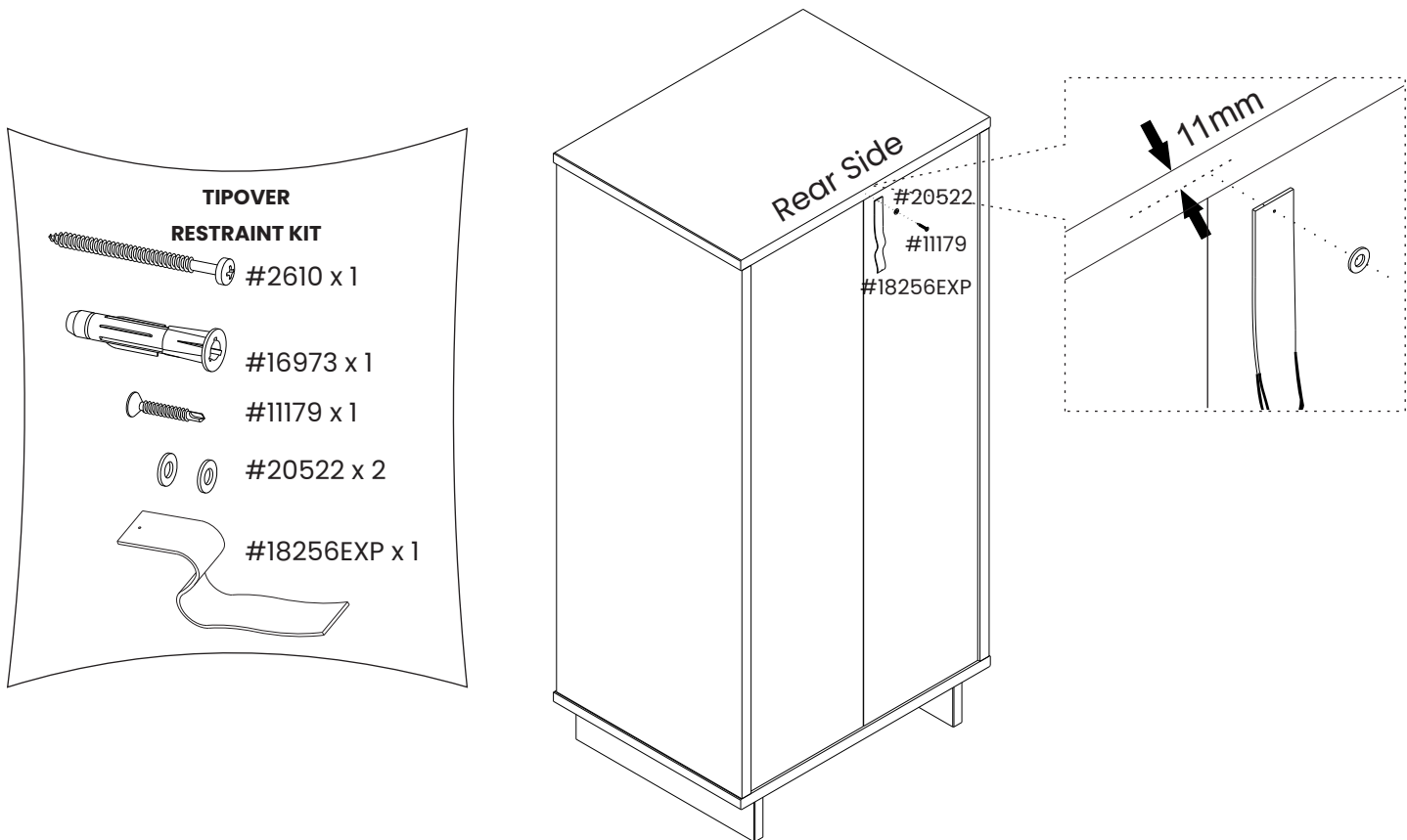
23

You must install the Tipover Restraint Kit (J) provided, in the rear side of the furniture.

Position the hardwares #18256EXP and #20522.

Fix them with screw #11179.

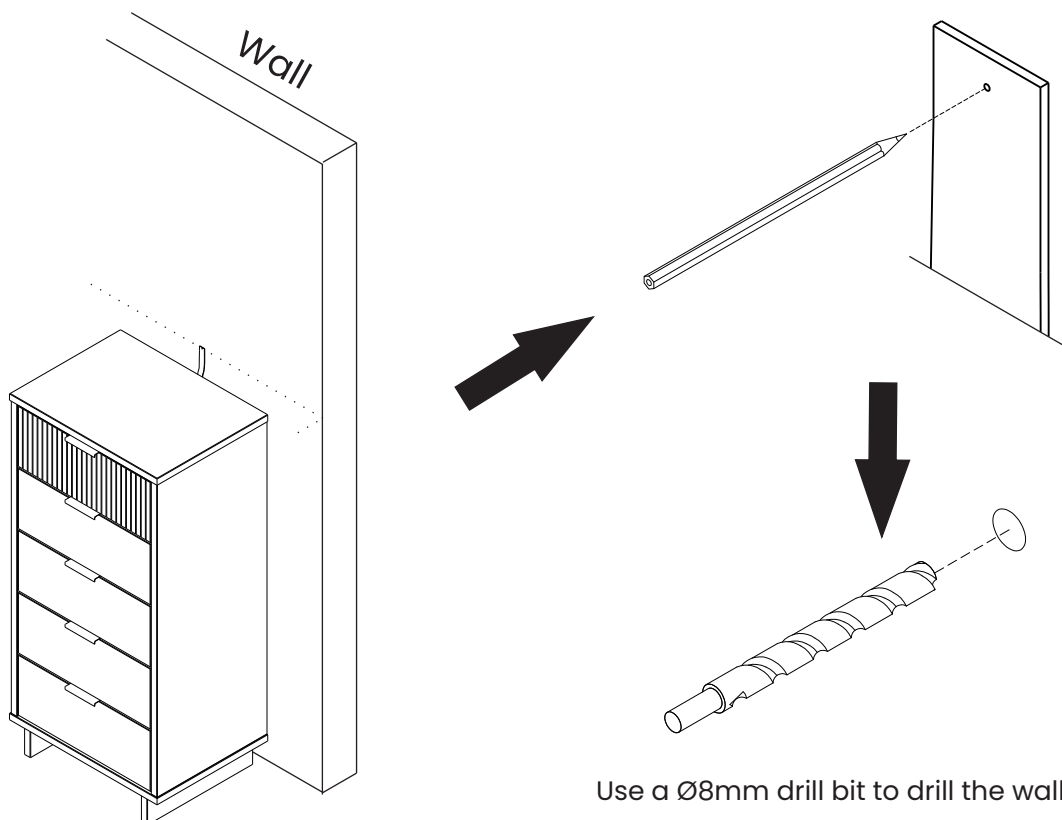
17



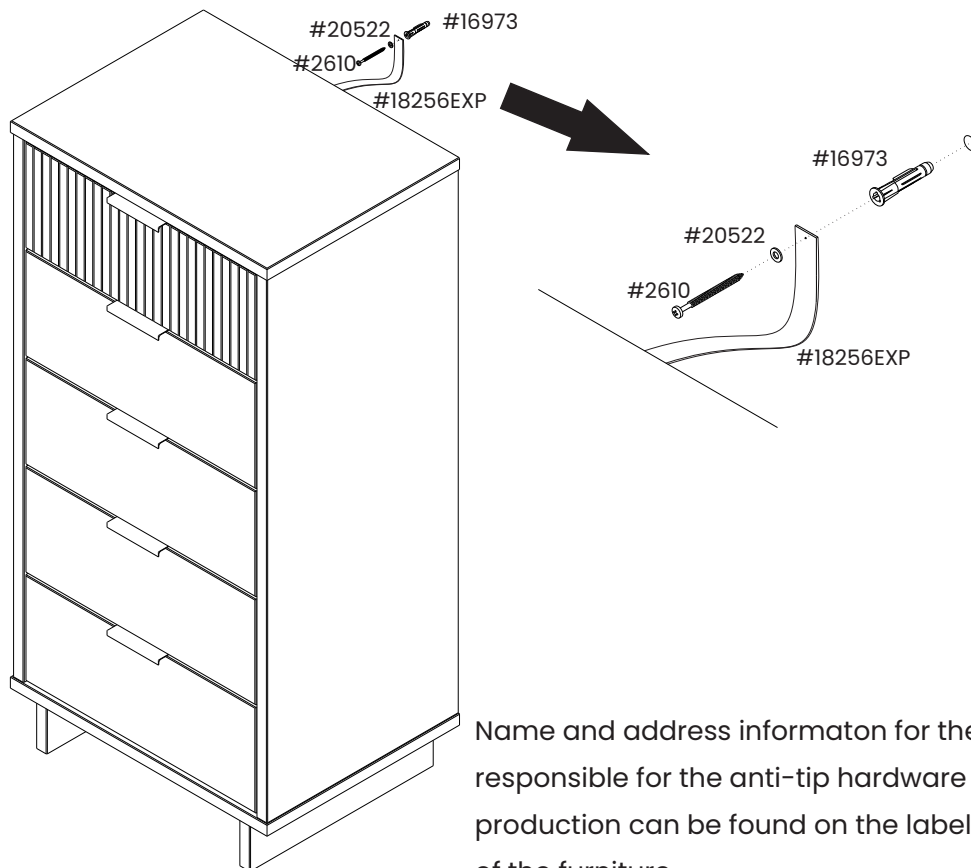
24

Approach the furniture as close as possible to the wall.

Then, mark with a pencil where you should drill the wall to put in the hardware.



Put in the hardware #16973 to the hole that you drilled on the wall.
Then, position the hardware #18256EXP and #20522.
Finally, fix them with screw #2610.



Name and address information for the manufacturer responsible for the anti-tip hardware and date of production can be found on the label on the back of the furniture.



MANHATTAN
COMFORT

WARRANTY POLICY

All Manhattan Comfort furniture products are warranted, to the original purchaser at the time of purchase and for a period of 30 days thereafter.

Our warranty is limited to new products purchased in factory sealed cartons. This warranty is valid in the United States of America and Canada.

In order to provide you with timely assistance, please thoroughly inspect your furniture for missing or defective parts immediately after opening the carton.

Manhattan Comfort offers a 30-day parts replacement warranty on all items.

Our furniture products are not intended for outdoor use.

THE WARRANTY DOES NOT COVER:

- Defects/damages by improper assembly or disassembly.
- Defects/damages caused by shipping. Claims for damage during transit should be placed immediately to the transportation company.
- Defects/damages caused by inappropriate use of the furniture.



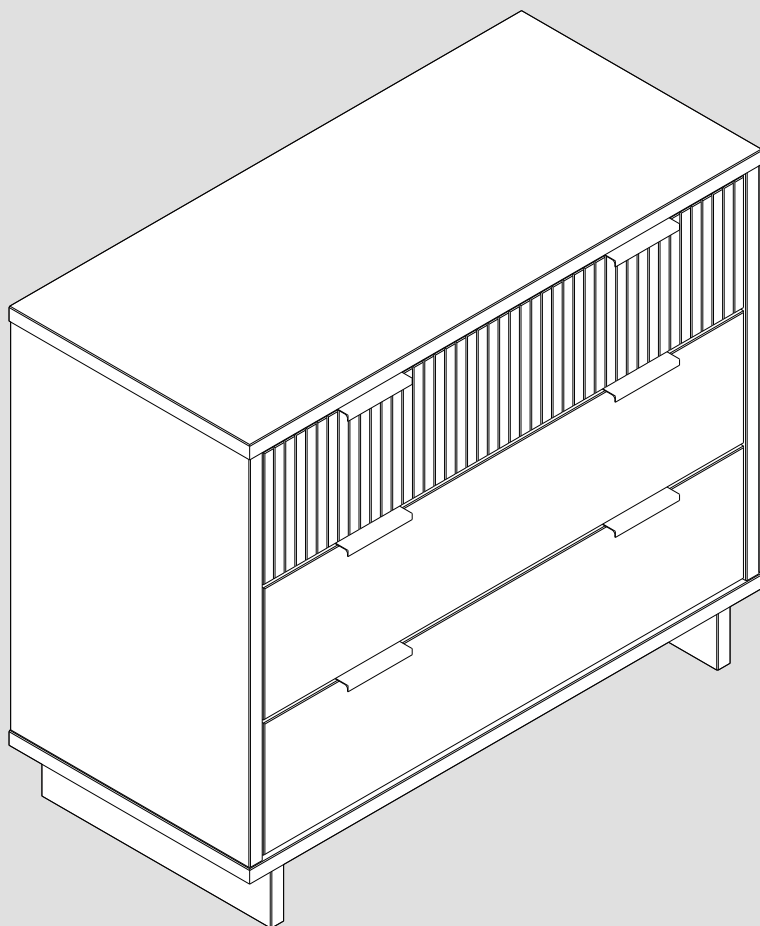
319 Ridge Rd. Dayton, NJ 08810

908-888-0818



MANHATTAN
COMFORT

DR-501



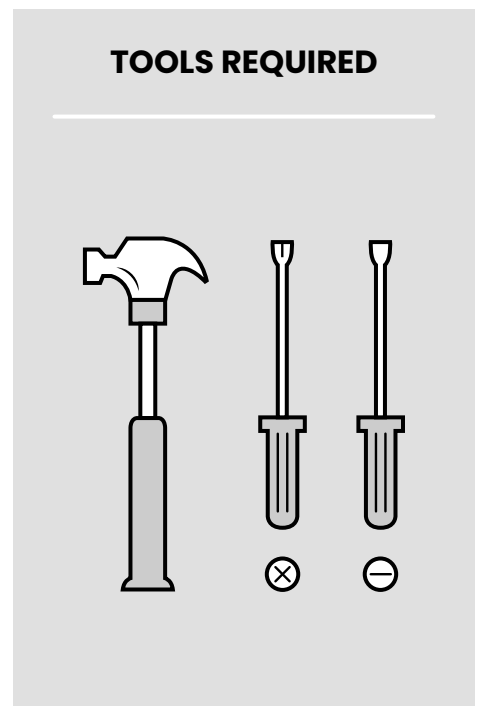
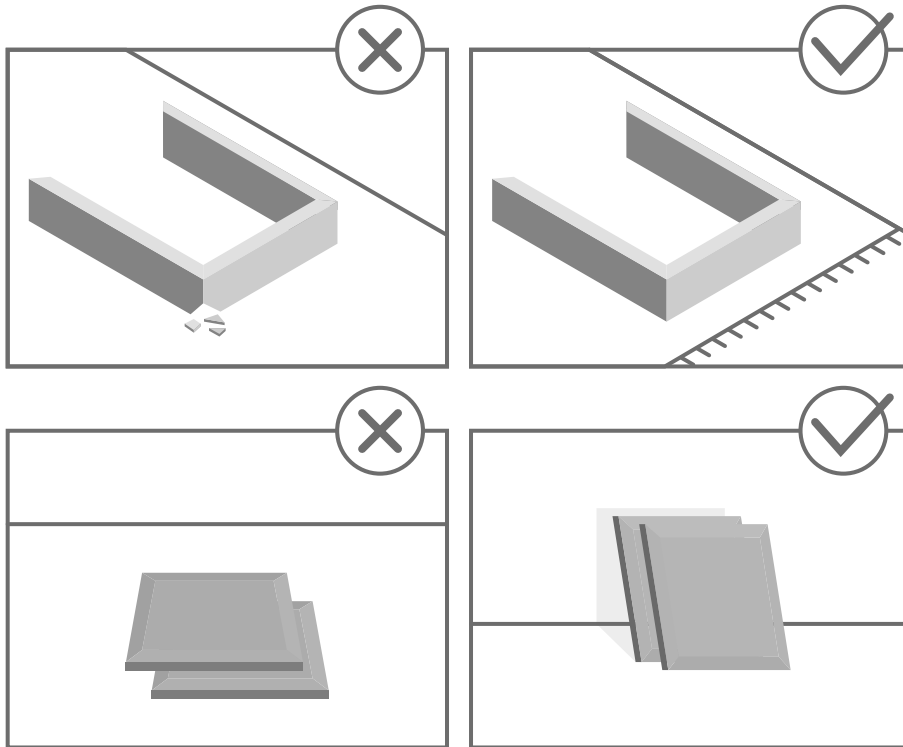


STOP!

Before beginning the assembly process, ensure all boxes and parts have been delivered.

FOR BEST RESULTS:

- Do not throw away packaging materials until assembly is complete.
- Assemble item on a soft surface, such as cardboard or carpet, to protect finish.
- Proper assembly requires two people.



View our assembly video online:
WWW.MANHATTANCOMFORT.COM

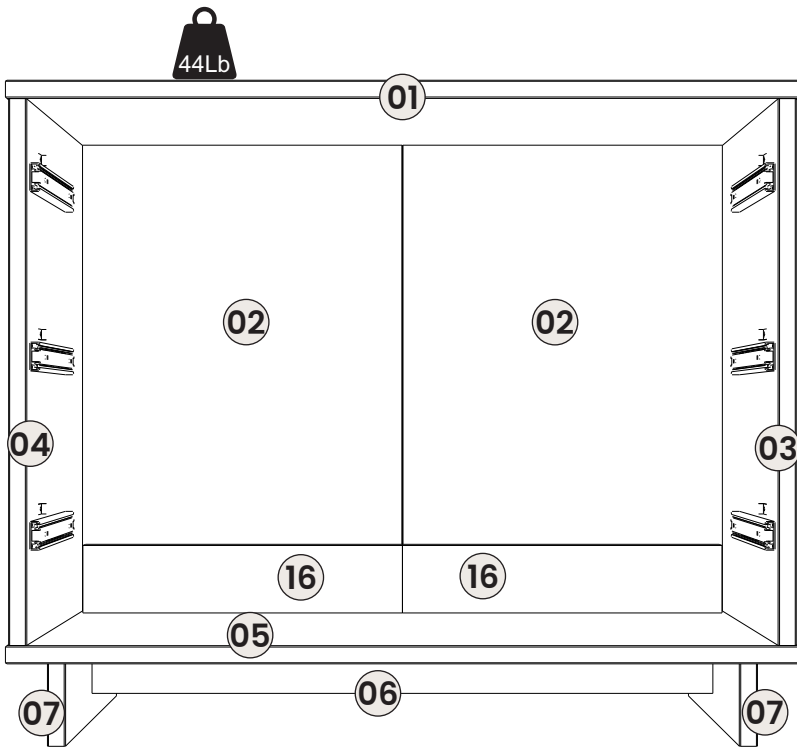


Stuck? Question? We are here to help.
tel: **908-888-0818**
e-mail: help@manhattancomfort.com

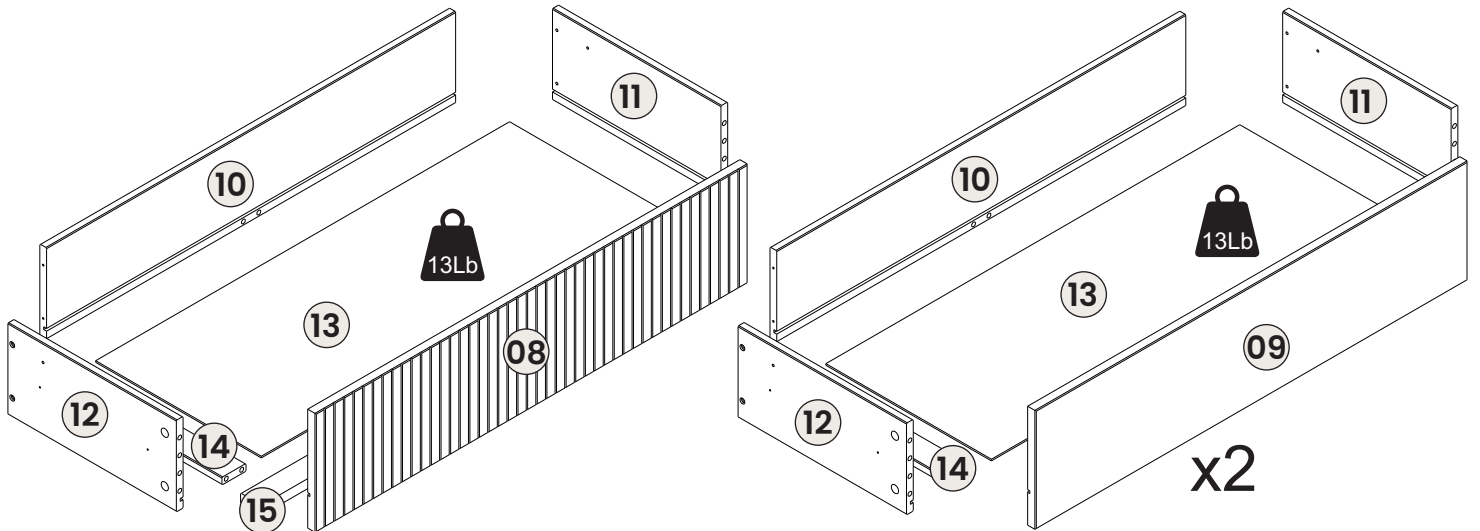
SUPPORT SITE



Included in this package:



- | | |
|------------------------|----|
| 01. Top Panel | x1 |
| 02. Back Panel | x2 |
| 03. Right Side Panel | x1 |
| 04. Left Side Panel | x1 |
| 05. Bottom Panel | x1 |
| 06. Feet Crossbar | x1 |
| 07. Foot | x2 |
| 08. Top Drawer Front | x1 |
| 09. Drawer Front | x2 |
| 10. Drawer Back | x3 |
| 11. Drawer Right Side | x3 |
| 12. Drawer Left Side | x3 |
| 13. Drawer Bottom | x3 |
| 14. Drawer Support | x3 |
| 15. Top Drawer Support | x1 |
| 16. Back Rail | x2 |



Included in this package:



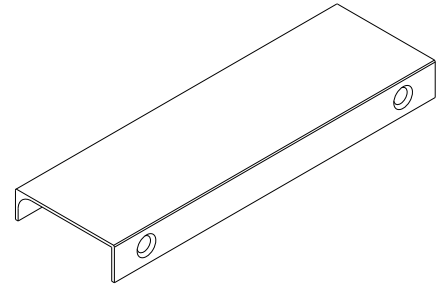
A x 12
#69



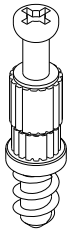
B x 44
#23857



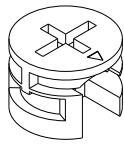
C x 12
#259



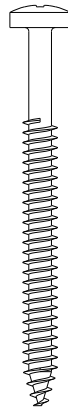
D x 06
#PX.017



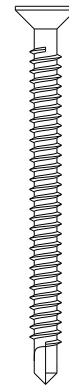
E x 18
#10385



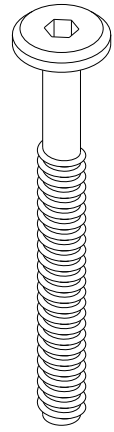
F x 18
#10386



G x 4
#284



H x 12
#11169



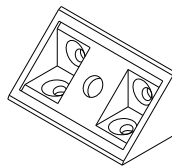
I x 6
#292



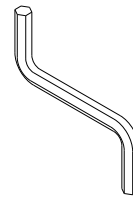
J x 1
#KT.002



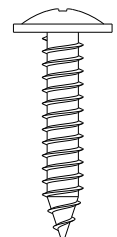
K x 52
#1616



L x 10
#CA.002



M x 1
#2196



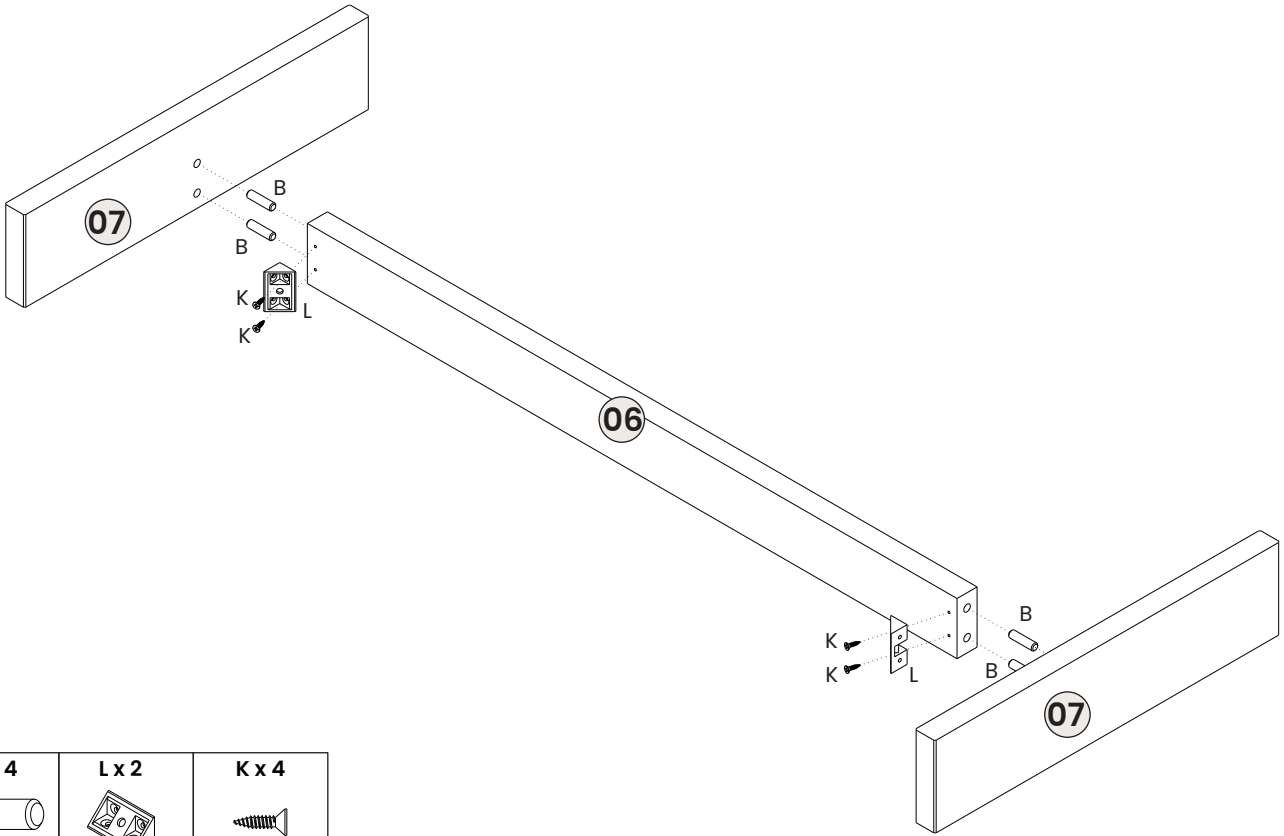
N x 6
#PA.010

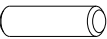


Where to find the itens

Box 1				
01	09	23857	10386	69
05	10	259	284	1616
06	13	PX.017	11169	CA.002
08	15	10385	292	2196
			KT.002	PA.010

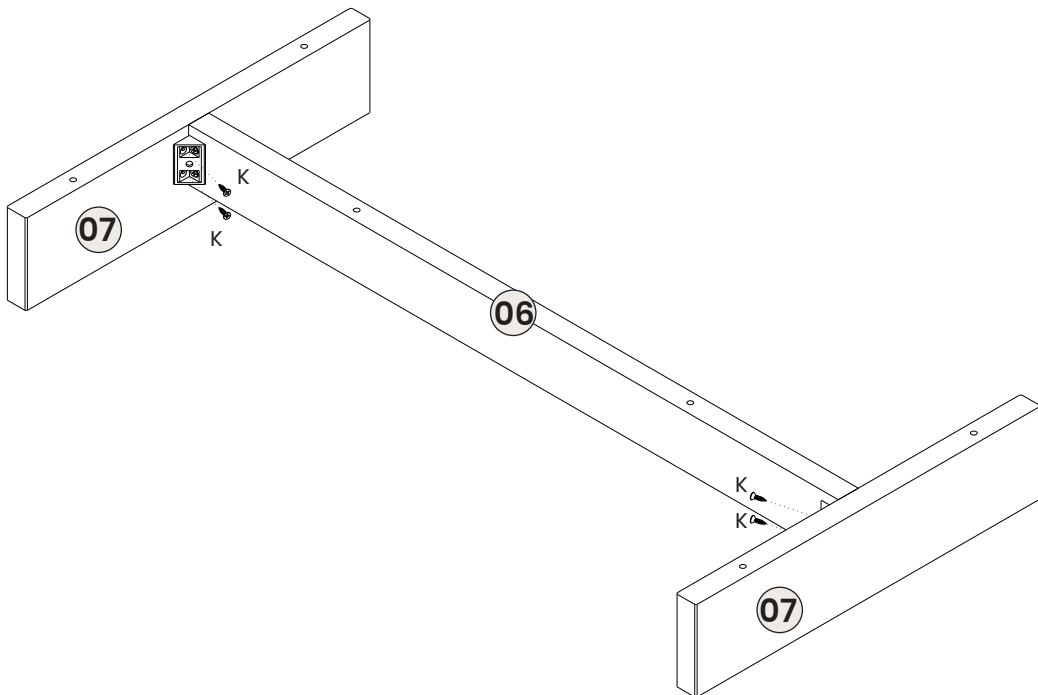
Box 2	
02	11
03	12
04	14
07	16


- 01 Fix the hardware L to part 06 with screw K.
Then, attach the parts 06-07 with the hardware B.



B x 4 	L x 2 	K x 4 
--	---	---

- 02 Fix the part 06 to part 07 with screw K.

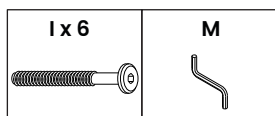
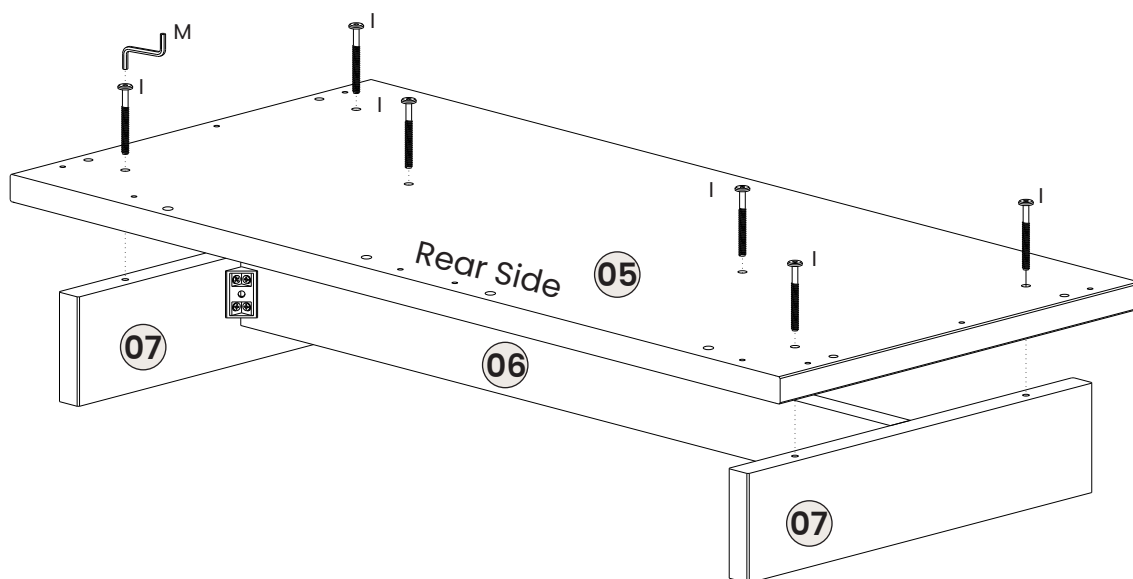


K x 4 

03

Fix the part 05 to parts 06-07 with screw I and tool M.

06

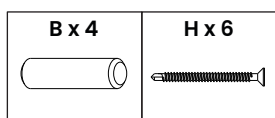
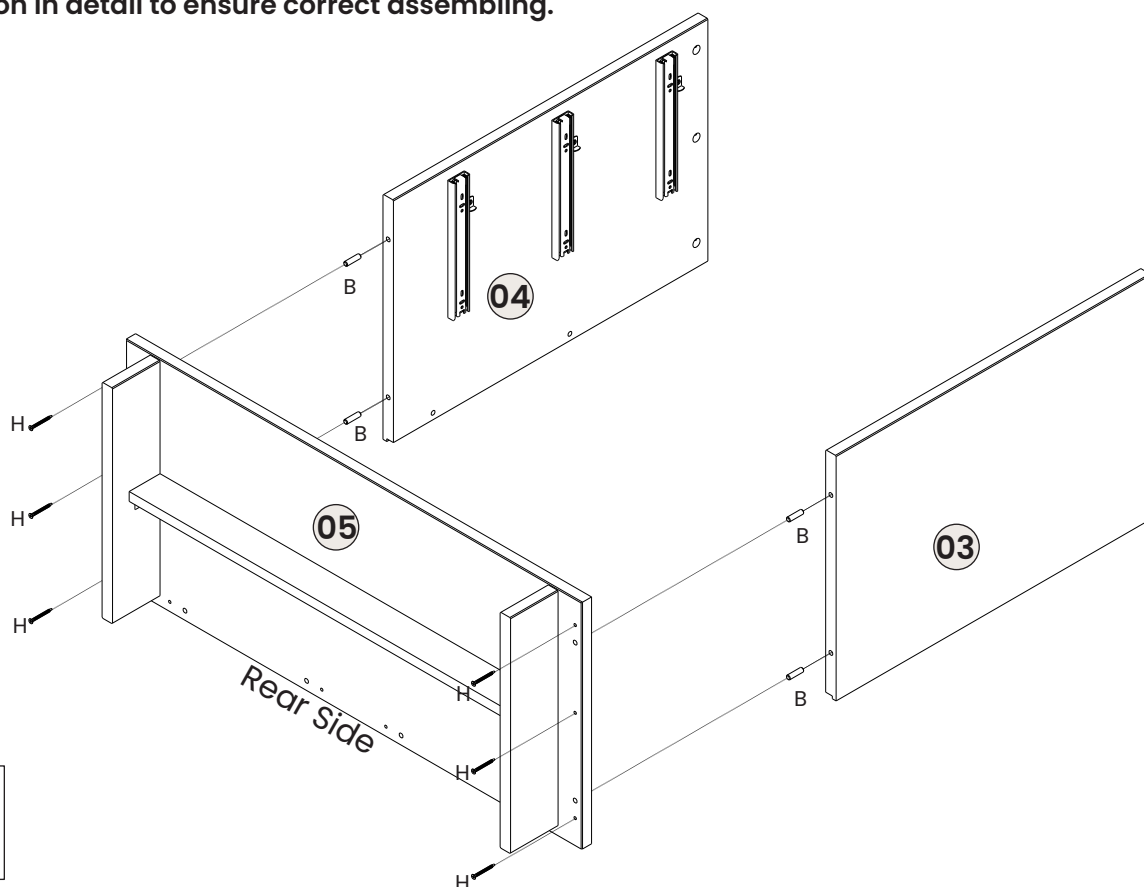


04

Attach the parts 03-04 to part 05 with hardware B.

Then, fix them with screw H.

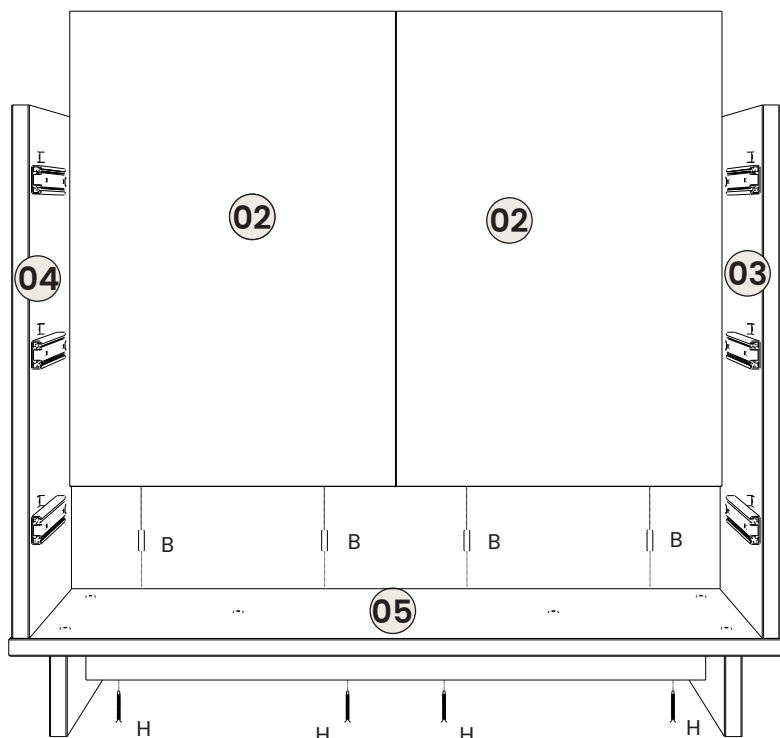
Pay attention in detail to ensure correct assembling.



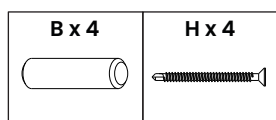
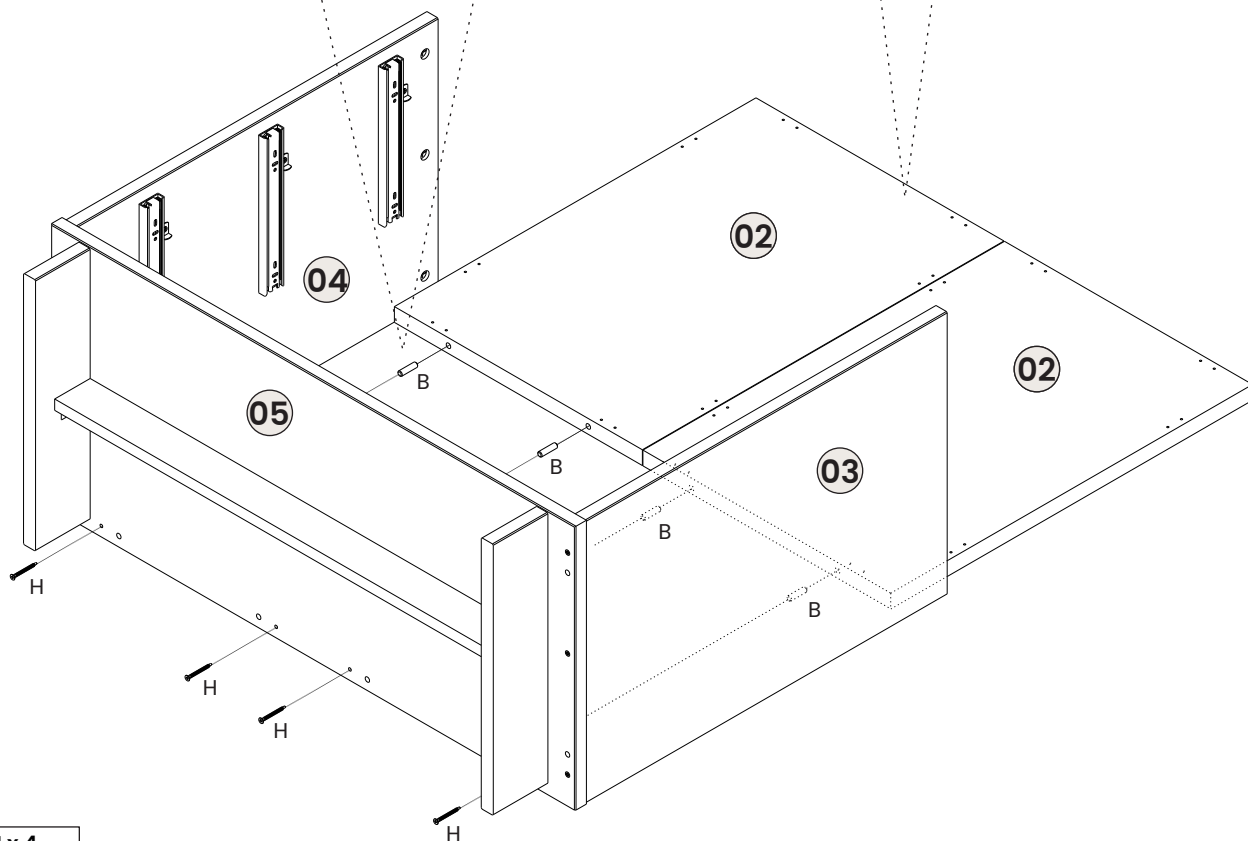
05

Attach part 02 to parts 03-04-05 with hardware B.
Then secure them with screw H.

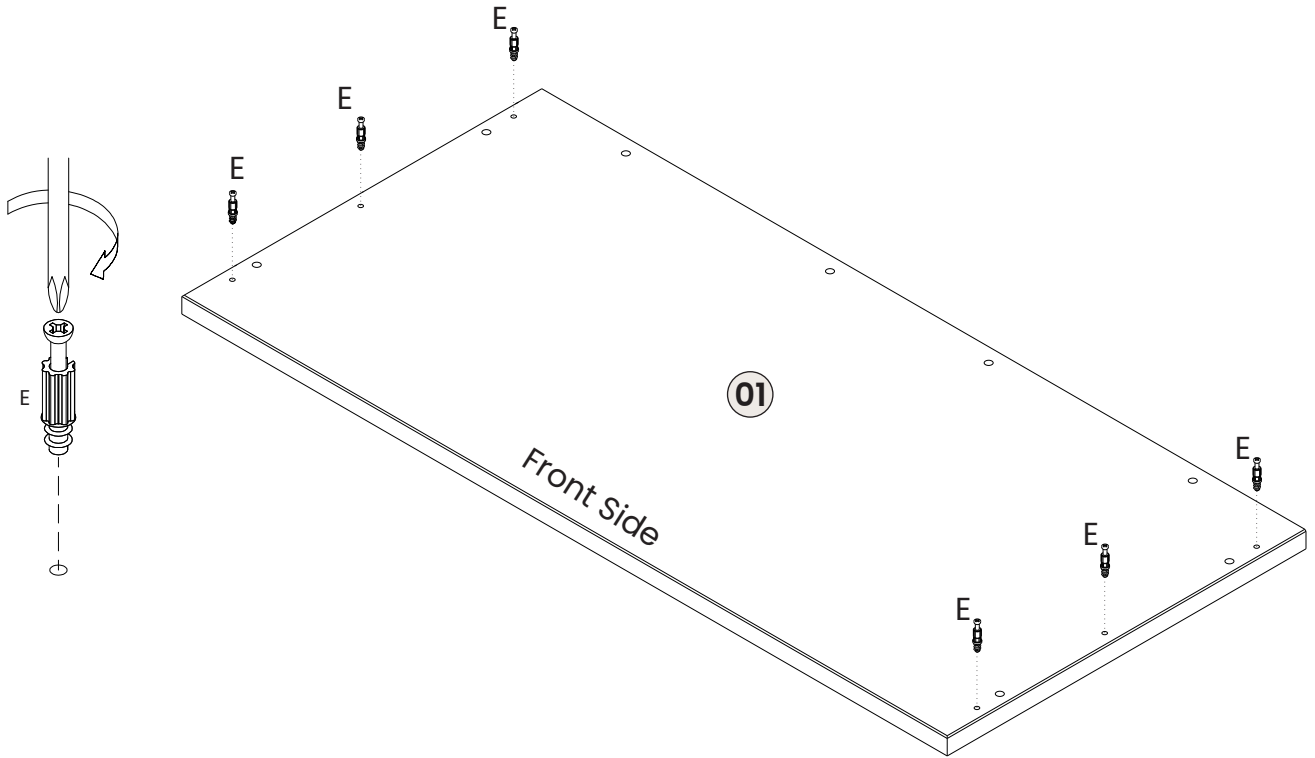
07



Attention, position the pre-drilling
towards the internal side.
As per drawing below.



Fix the hardware E to part 01.

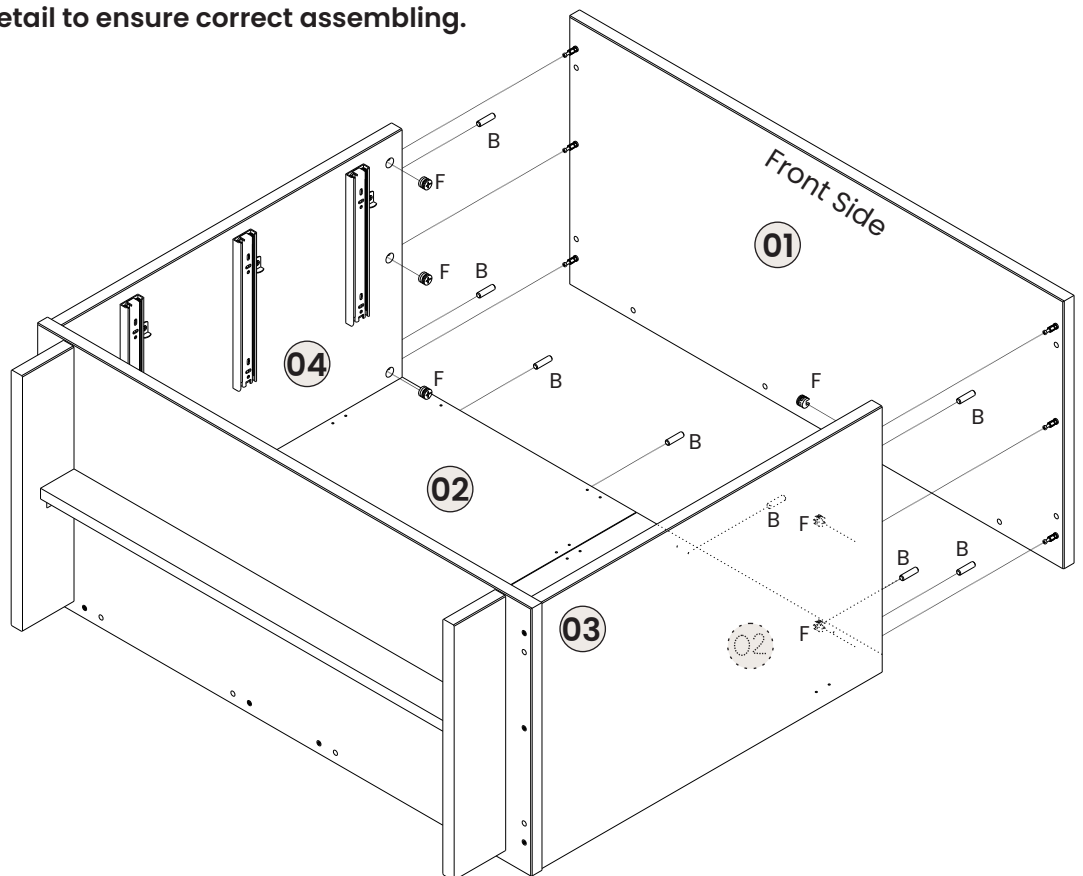
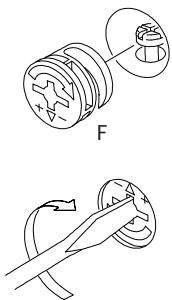


E x 6

Attach the part 01 to parts 02-03-04 with hardware B.

Then, apply the hardware F and lock it according the example below.

Pay attention in detail to ensure correct assembling.



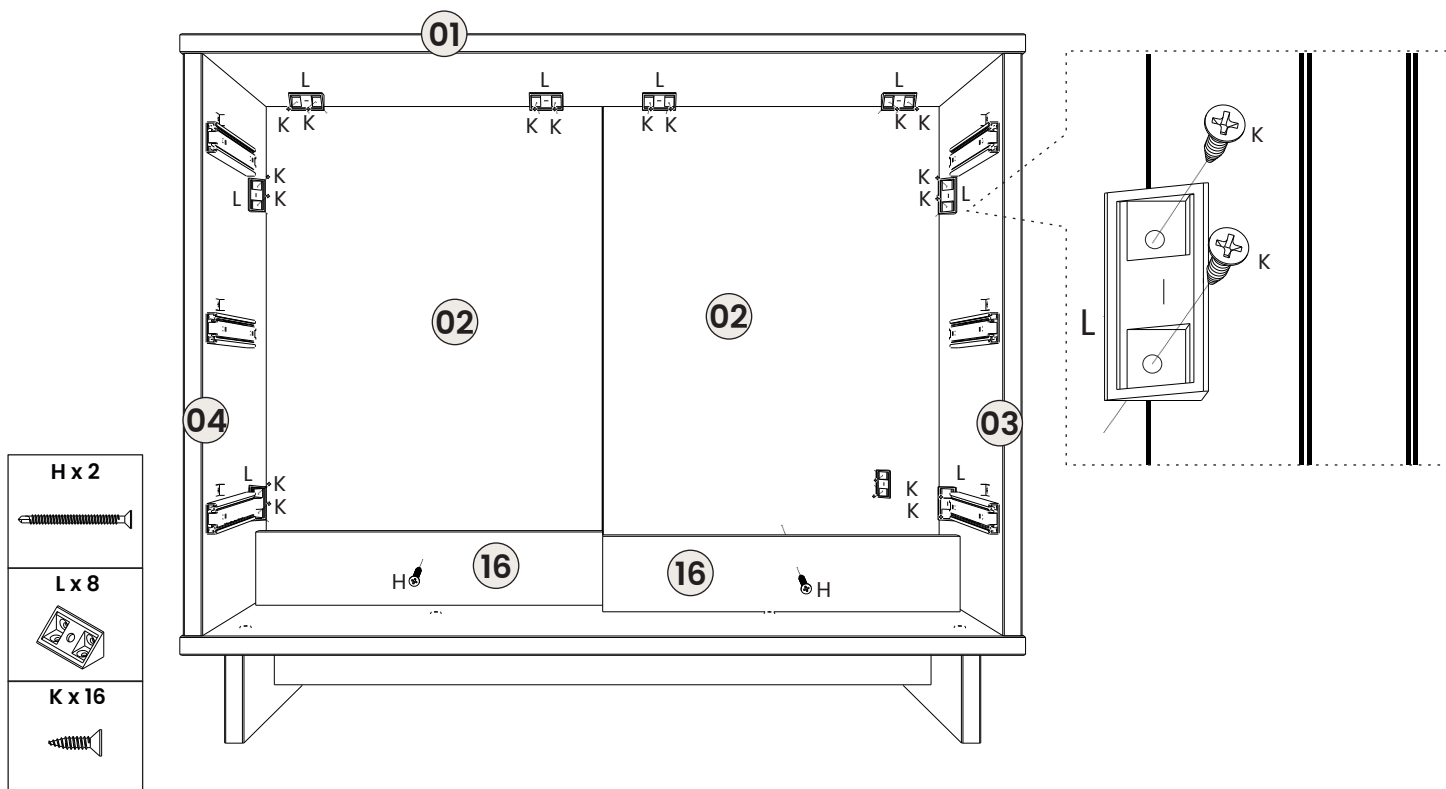
B x 8	F x 6

08

Attach part 16 to part 02 with screw H.

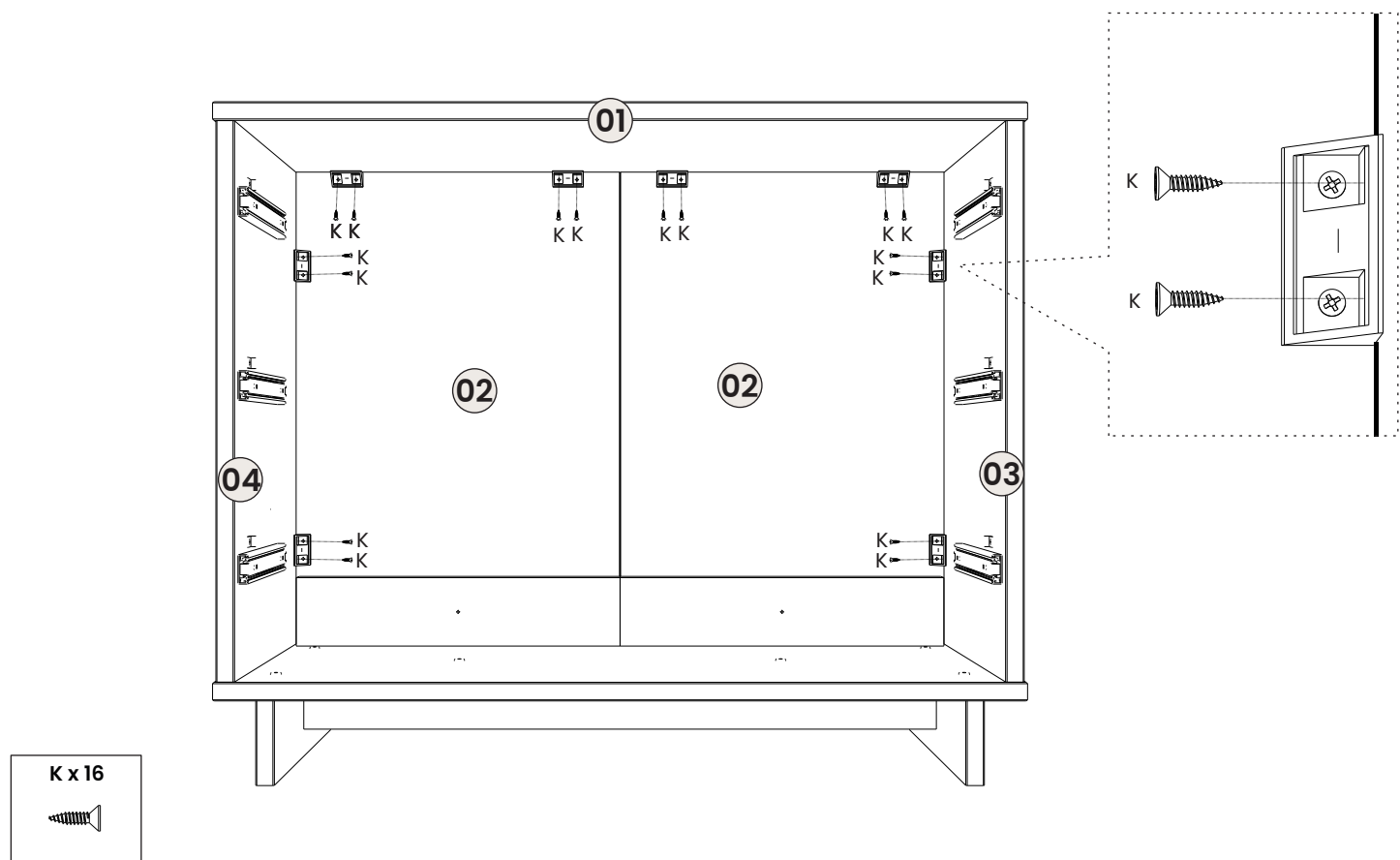
Fix harware L with screw K in part 02 in the pre-drilled holes idicated.

09

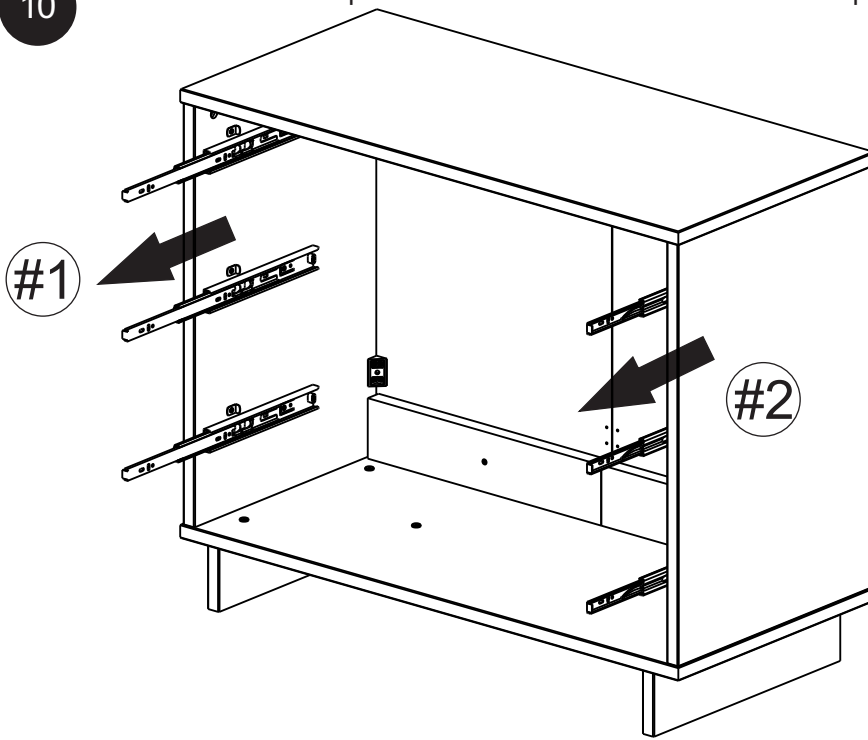


09

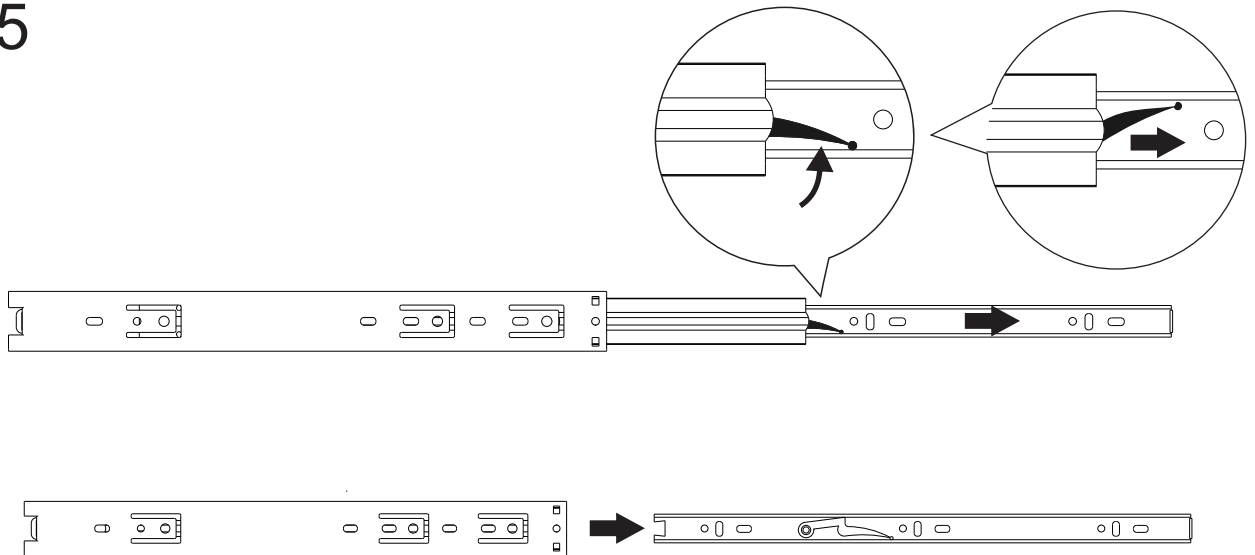
Fix screw K on parts 01-03-04.



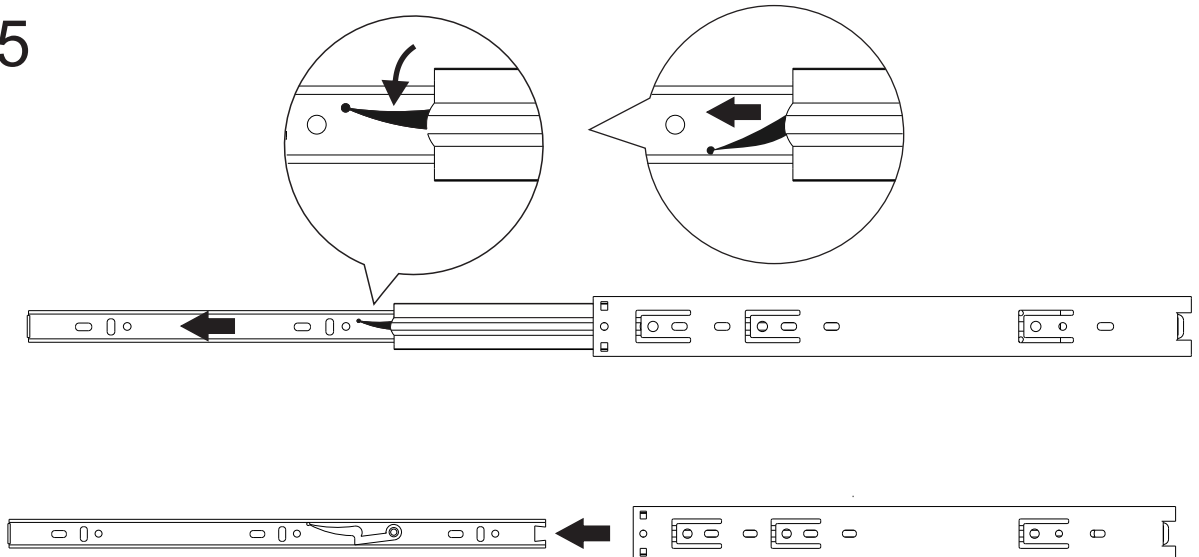
Remove the inner part of the slide as shown in the example below.



#1 x5



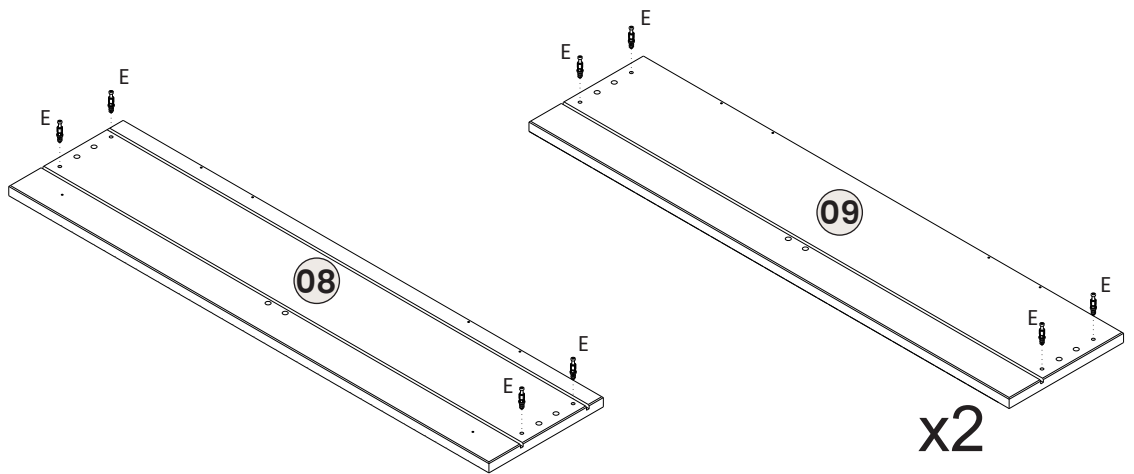
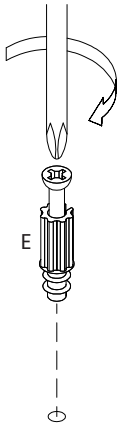
#2 x5



11

Fix hardware E to parts 08 and 09.

11

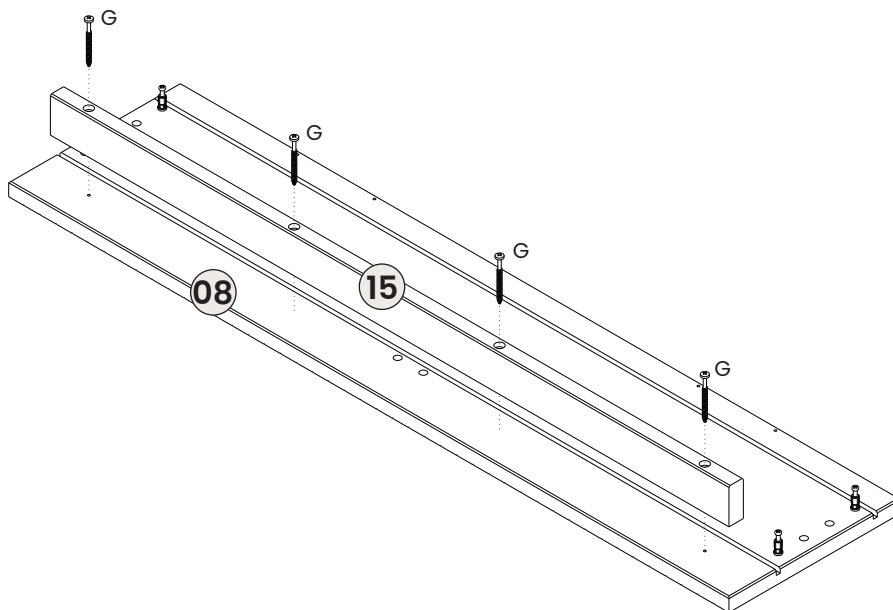


E x 12



12

Specially to part 08, fix the part 15 with screw G.

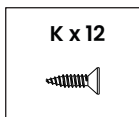
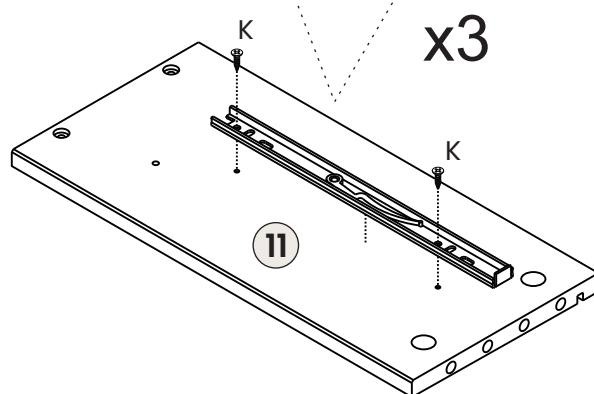
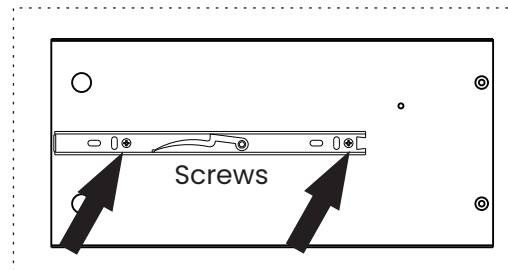
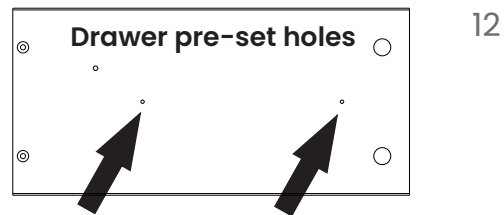
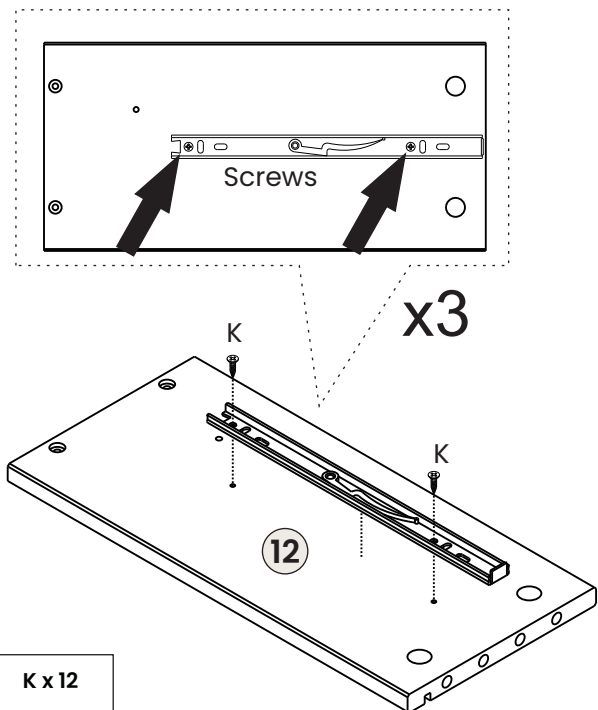
Please, start by arranging the ends using the pre-drills.**Then fix the intermediate screws.**

G x 4



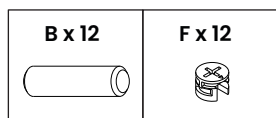
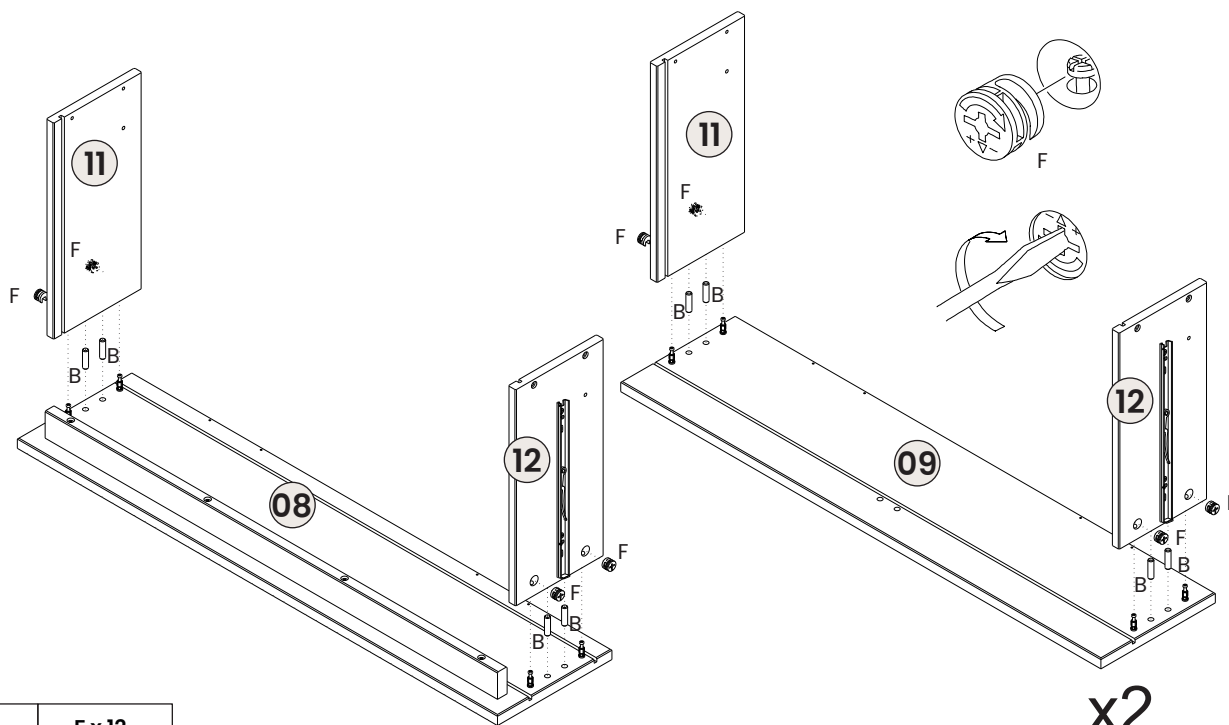
13

The sides of the drawers have pre-defined holes to help with fixing.
 Correctly position the internal part of the slide (removed in step 10 on page 10)
 with the pre-defined hole on the drawer side.
 Then fix them with screw K.



14

Attach the parts 08 to parts 11-12 with hardware B.
 Then, apply the hardware F and lock it according the example below.
 Equally, the same process is applied to parts 09-11-12.



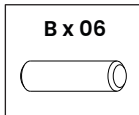
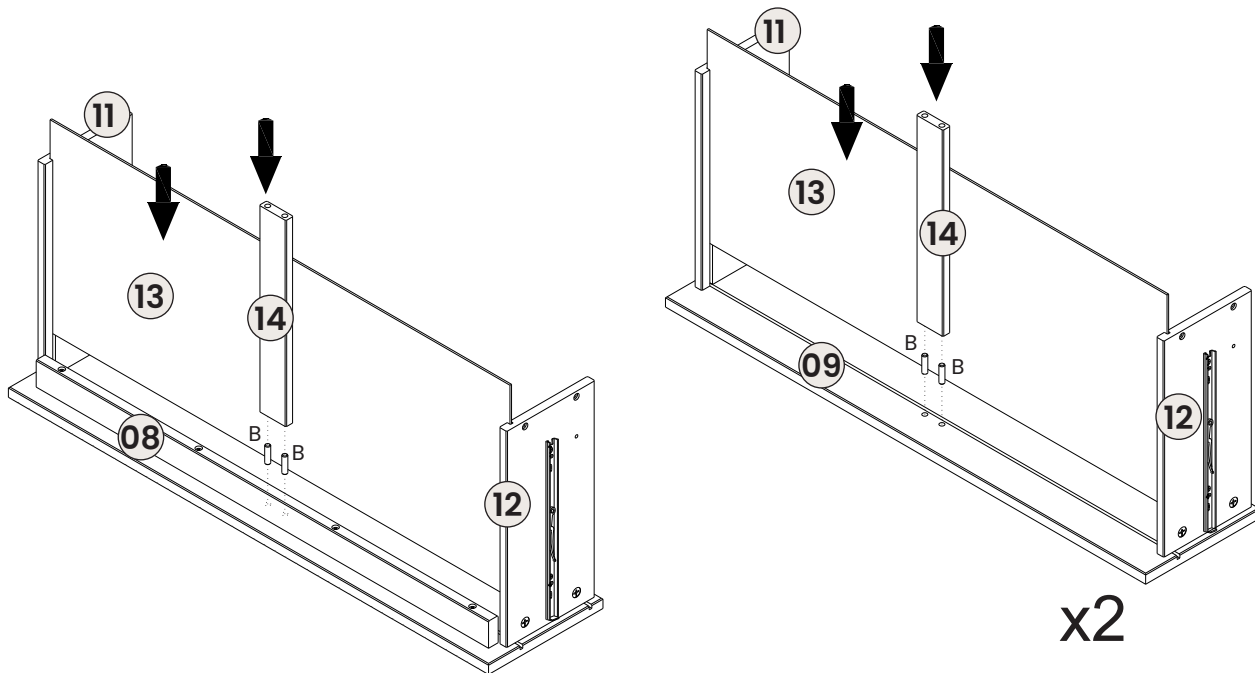
TOP DRAWER

x2

15

Apply the part 13 in the groove of the parts 11-12.
Then, attach the part 14 to parts 08-09 with hardware B.

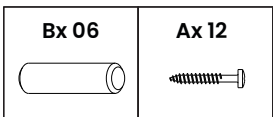
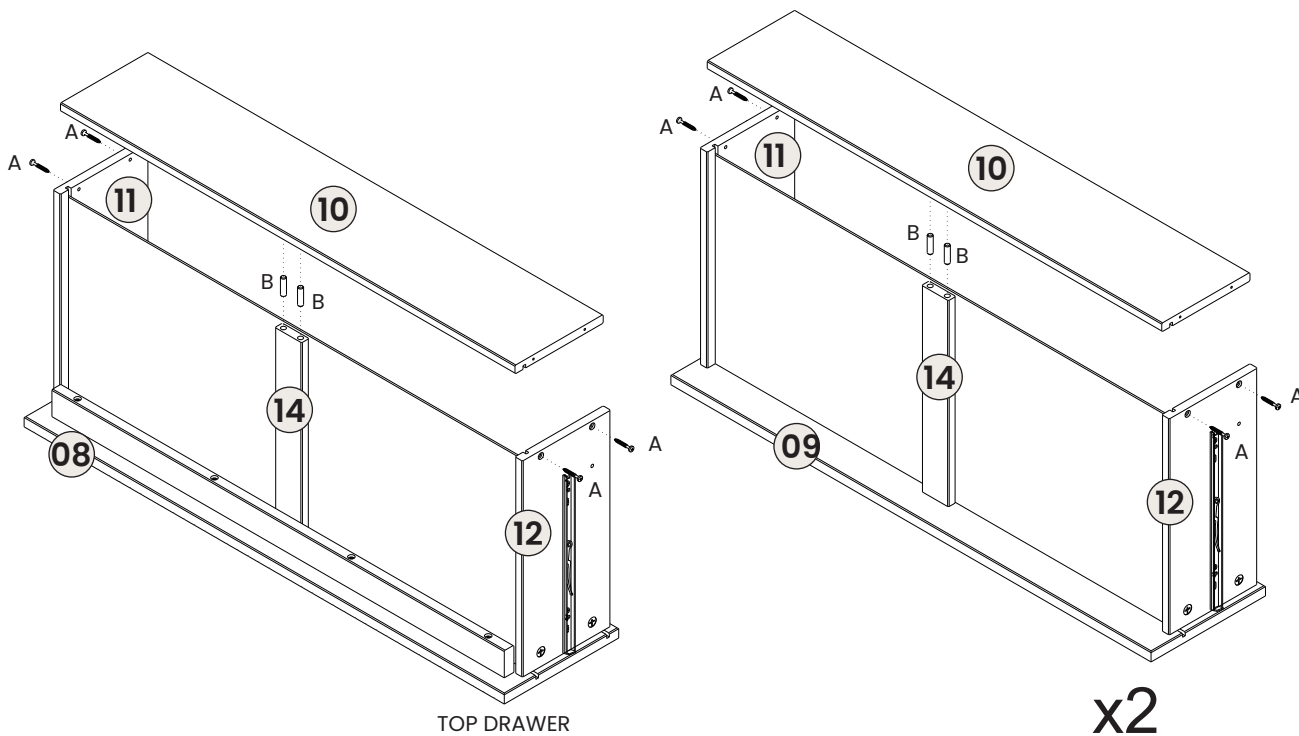
13



TOP DRAWER

16

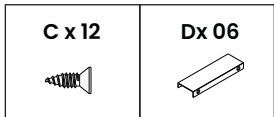
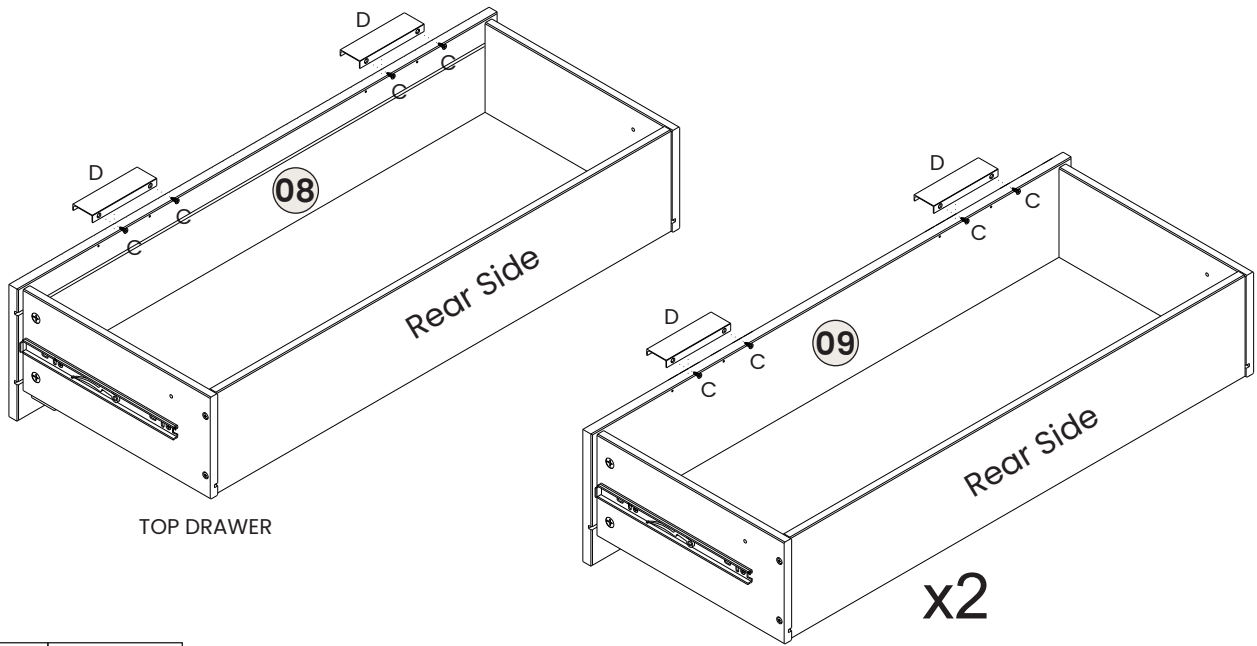
Attach the part 10 to parts 11-12-14 with the hardware B.
Then, fix the parts 11-12 to part 10 with screw A.



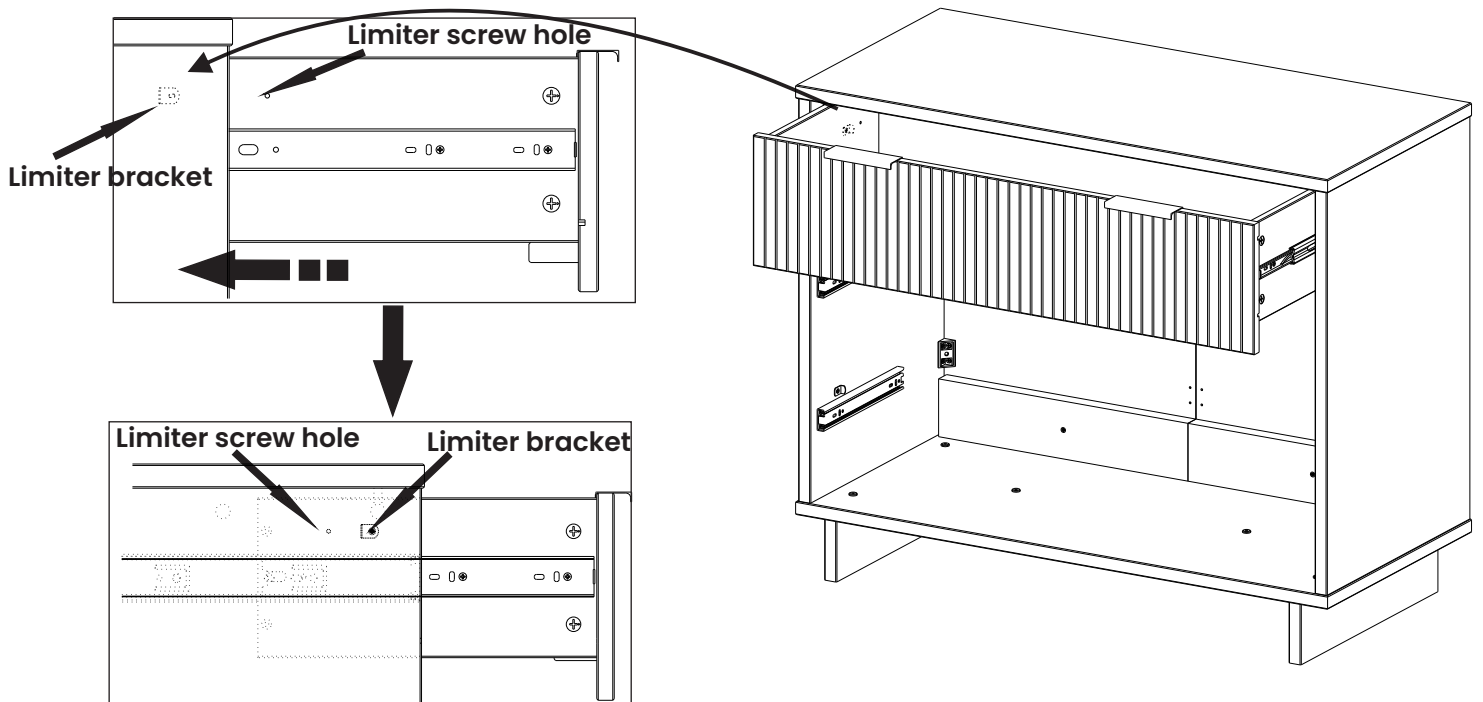
TOP DRAWER

x2

17 Apply the hardware D to parts 08-09.
Then, fix them with screw C.



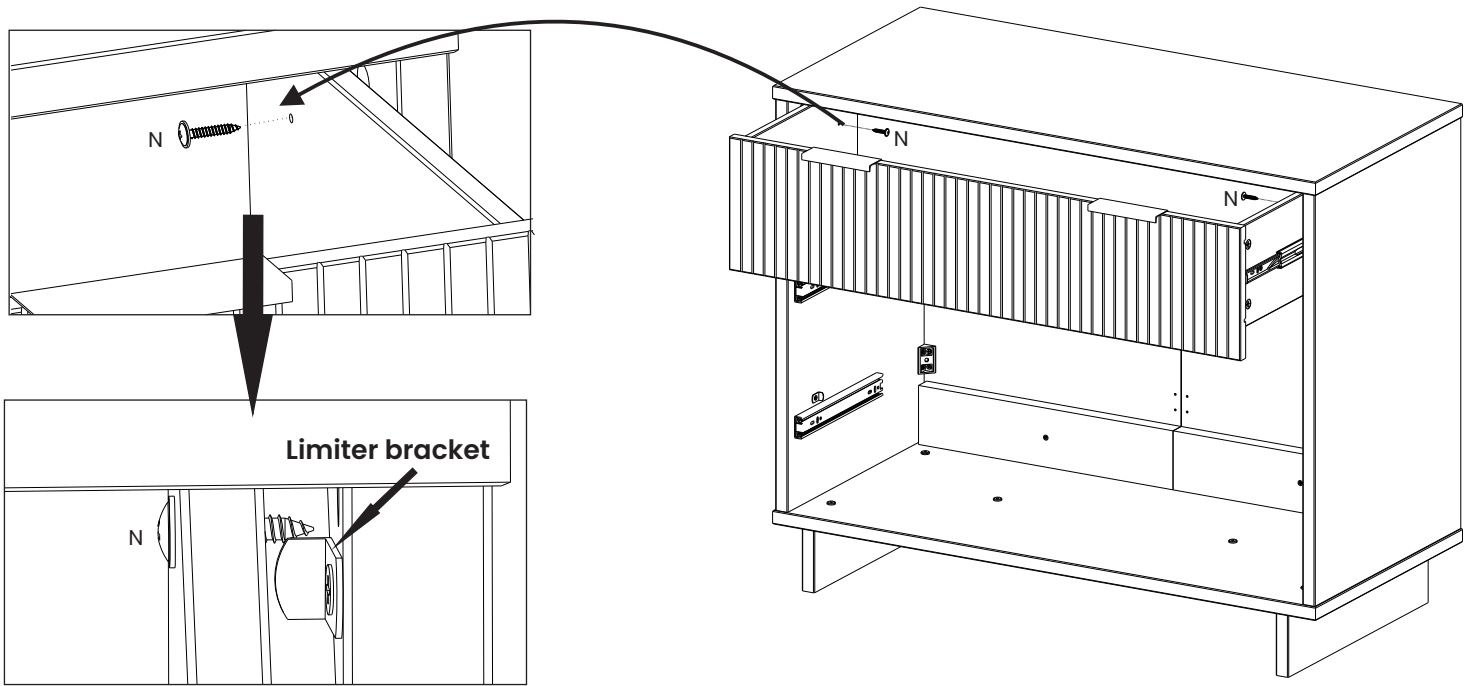
18 Insert the drawer carefully. You must put a drawer opening limiter screw.
Firstly, keep the drawer partially open so that the limiter screw hole is behind the limiter bracket according to the detail.



19

ATTENTION: ensure the limiter screw hole is before the limiter bracket.
Then, place the screw #PA.010 to retain the full opening of the drawer.

15

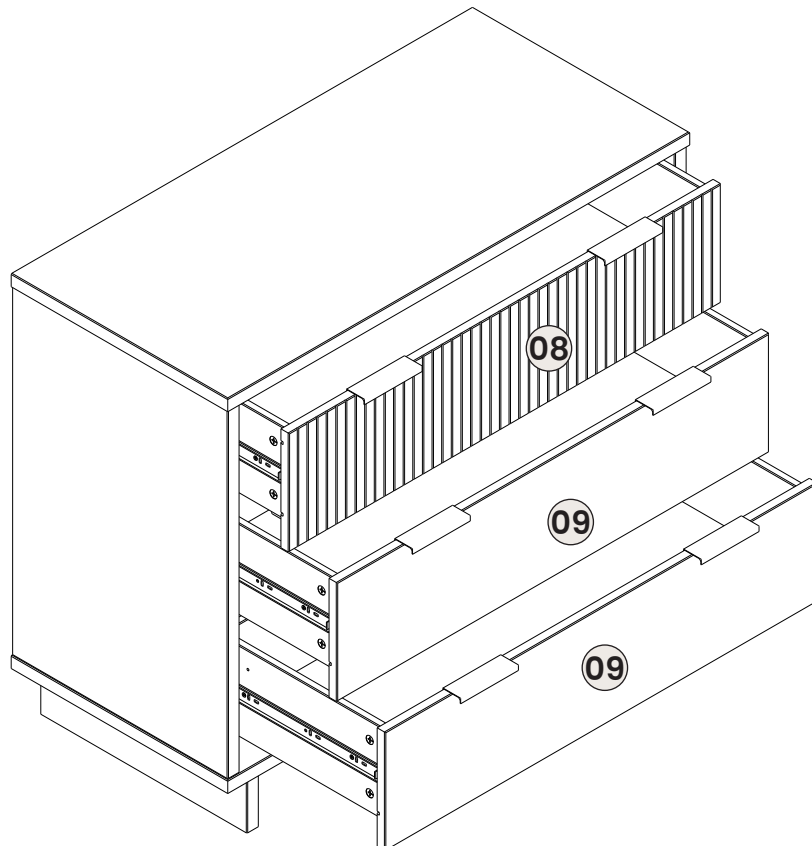


N x 2



20

Apply the same process to drawer opening limiter to the others drawers.



N x 4



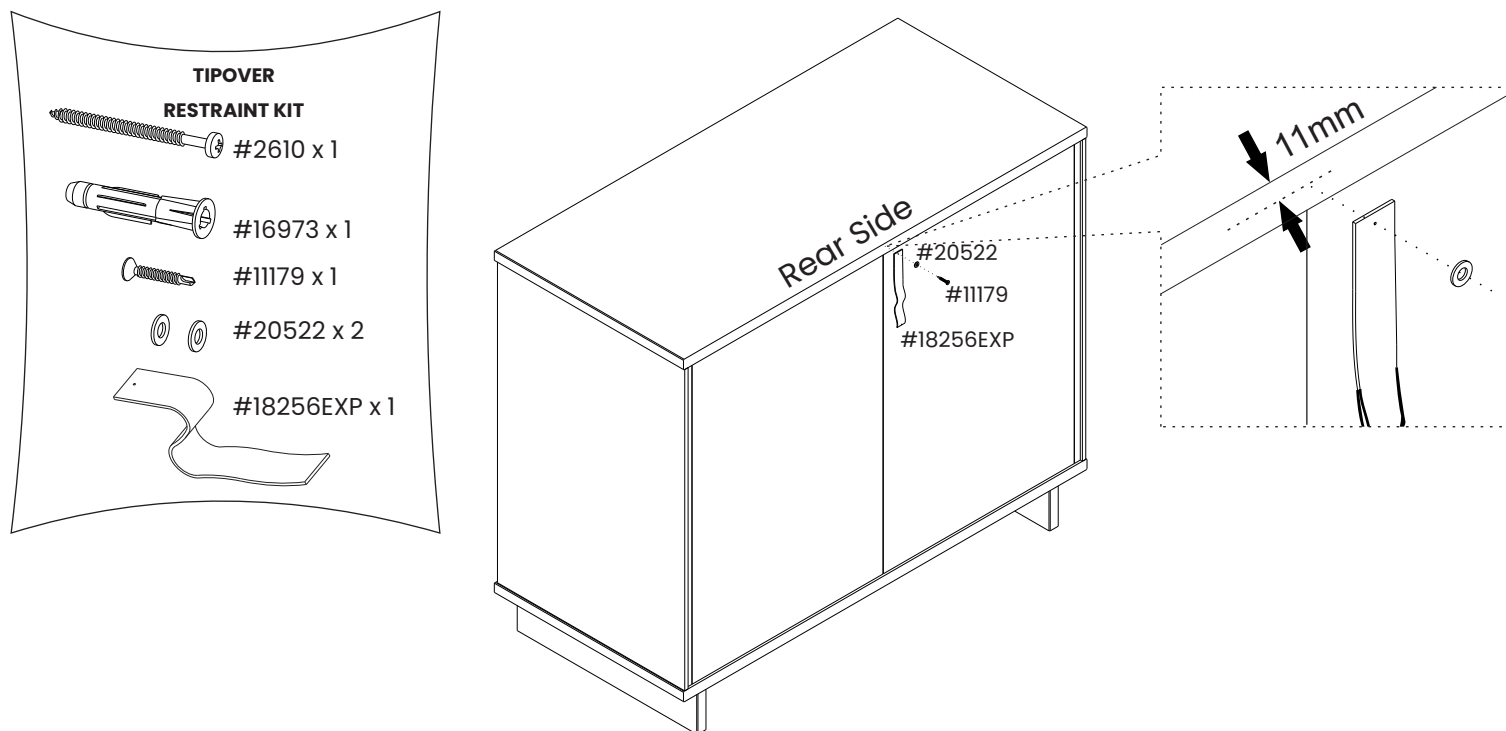
21

You must install the Tipover Restraint Kit (J) provided, in the rear side of the furniture.

Position the hardware #18256EXP and #20522.

Fix them with screw #11179.

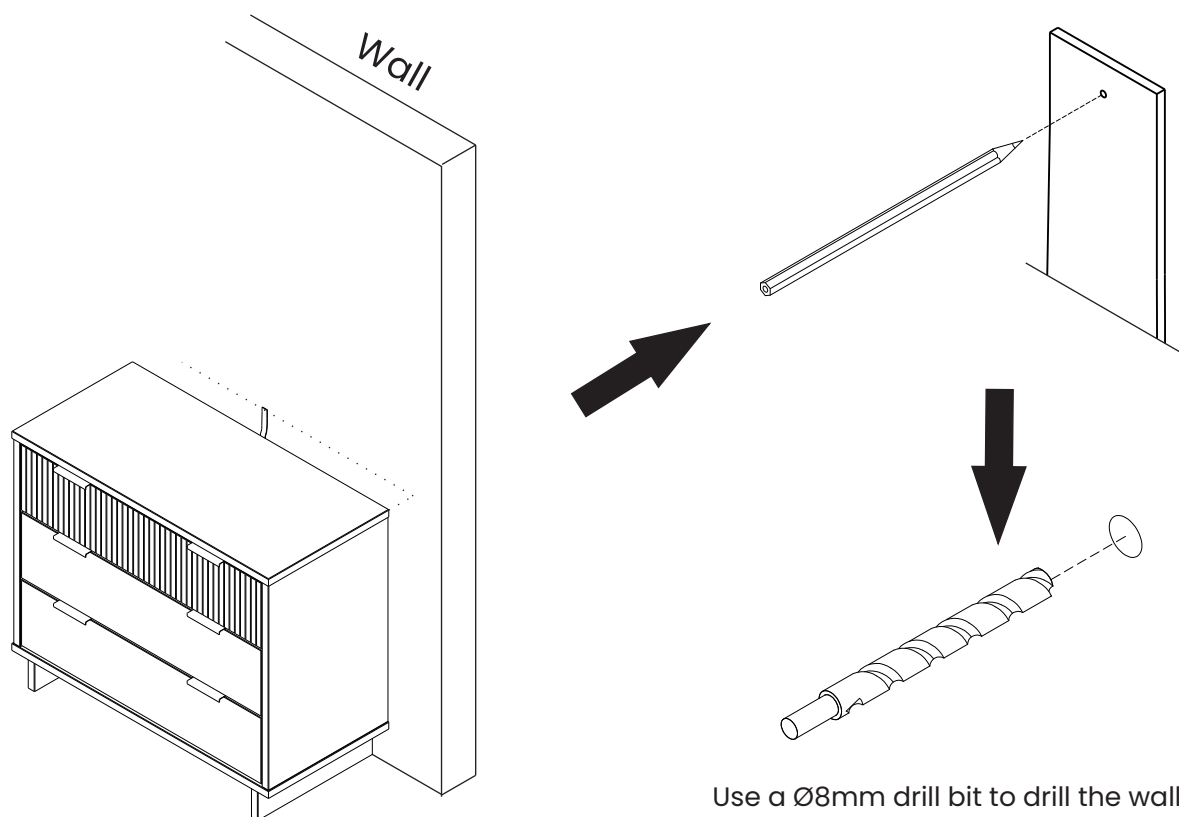
16



22

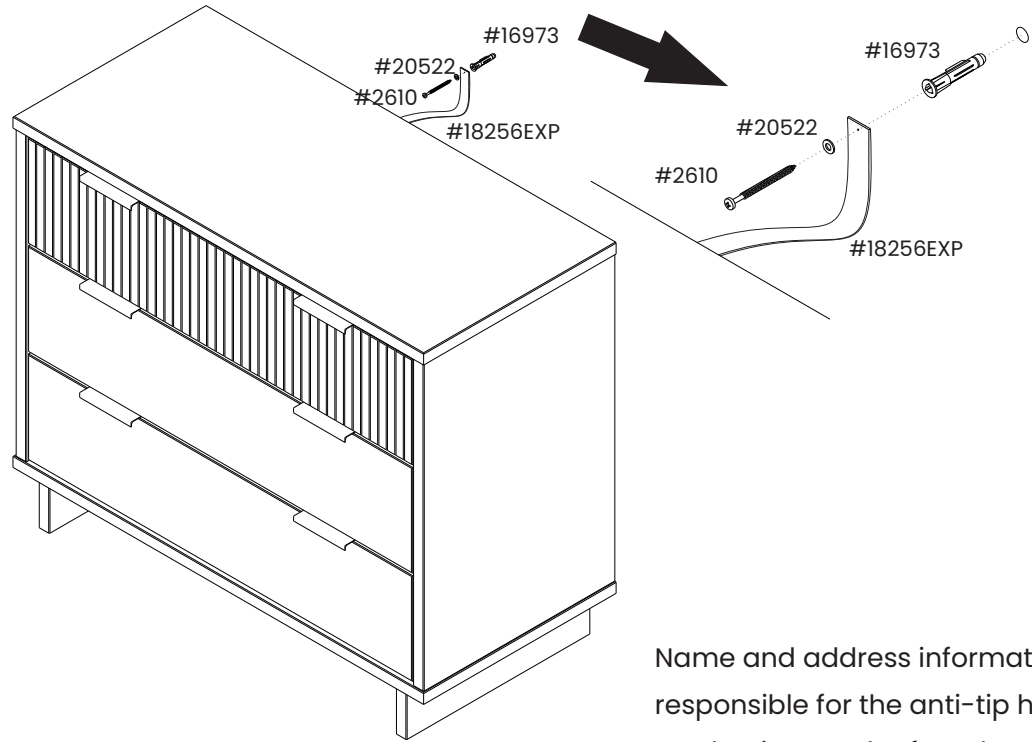
Approach the furniture as close as possible to the wall.

Then, mark with a pencil where you should drill the wall to put in the hardware.



23

Put in the hardware #16973 to the hole that you drilled on the wall.
Then, position the hardware #18256EXP and #20522.
Finally, fix them with screw #2610.



Name and address information for the manufacturer responsible for the anti-tip hardware and date of production can be found on the label on the back of the furniture.



MANHATTAN
COMFORT

WARRANTY POLICY

All Manhattan Comfort furniture products are warranted, to the original purchaser at the time of purchase and for a period of 30 days thereafter.

Our warranty is limited to new products purchased in factory sealed cartons. This warranty is valid in the United States of America and Canada.

In order to provide you with timely assistance, please thoroughly inspect your furniture for missing or defective parts immediately after opening the carton.

Manhattan Comfort offers a 30-day parts replacement warranty on all items.

Our furniture products are not intended for outdoor use.

THE WARRANTY DOES NOT COVER:

- Defects/damages by improper assembly or disassembly.
- Defects/damages caused by shipping. Claims for damage during transit should be placed immediately to the transportation company.
- Defects/damages caused by inappropriate use of the furniture.



319 Ridge Rd. Dayton, NJ 08810

908-888-0818