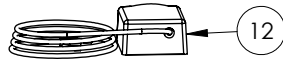
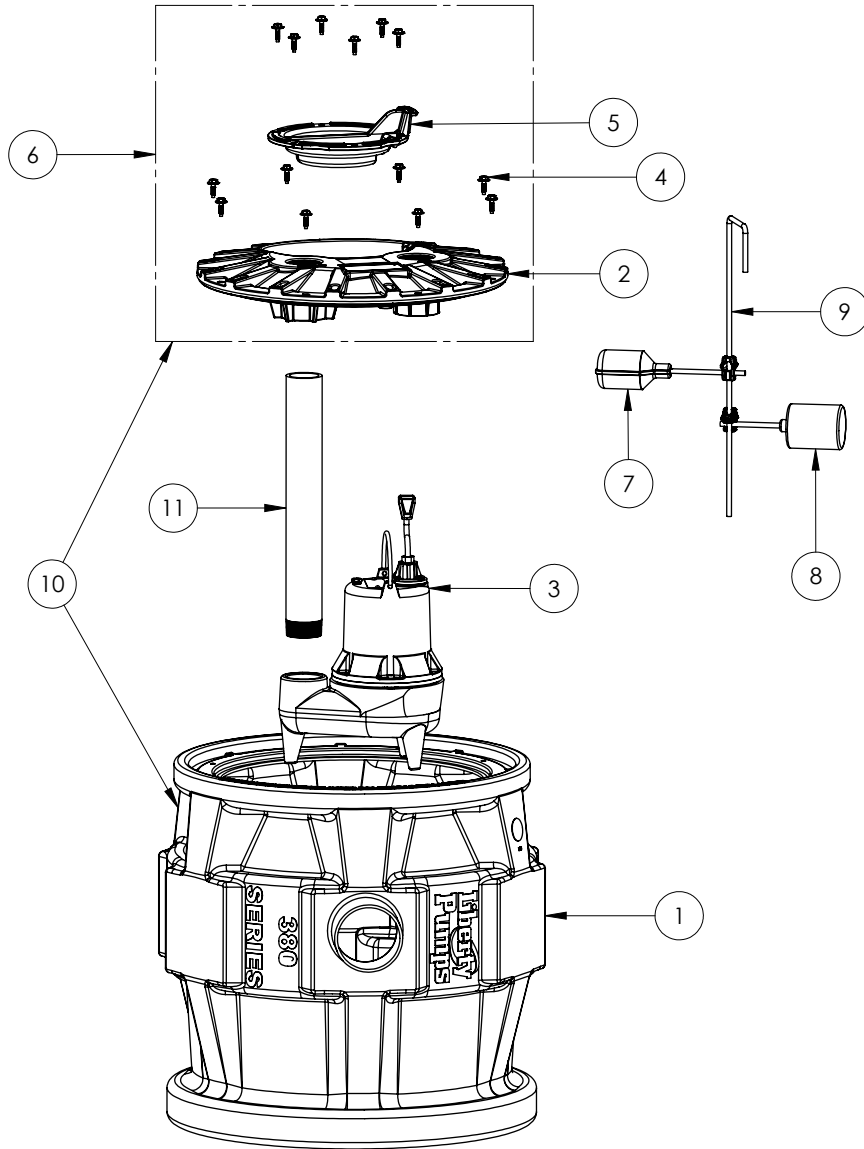


P382LE41 (B10)



NOTE: NOT ALL SYSTEMS
COME WITH ALARM



P382LE41

P382LE41 (B10)

#	PART #	DESCRIPTION	QTY	Note
1	K001110	PRO380 SERIES 24" BASIN	1	
2	50340A0	2X2 COVER, 8 BOLTS, FOR PVC PIPE	1	
3	LE41M	4/10 HP SEWAGE PUMP 115V, 10' POWER CORD		
4	K001162	COVER HARDWARE, WASHER HEAD HEX SCREWS 14 INCLUDED IN KIT	1	
5	K001233	INSPECTION COVER, INCLUDES MOUNTING SCREWS (6)	1	
6	K001101	COVER ASY 2X2, 8 BOLTS, FOR PVC PIPE	1	
7	Pro Series Alarm switch (B10)	REPLACEMENT SWITCH BASED ON SYSTEM LABEL	1	[1]
8	K001054	61130A0 PUMP SWITCH, 10' 115V	1	
9	K001123	QUICKTREE KIT, ROD & CLAMPS ONLY	1	
10	K001107	P382 TANK & 2X2 COVER ASSEMBLY	1	
11	K001399	PRO SERIES PIPE KIT 2" SCH80 X17.50"	1	
12	SEE NOTE FOR ALARM	ALARM ONLY		[2]
	K001144	61130B0 PUMP SWITCH, 25' 115V	1	
	K001134	FLOAT SWITCH, 20FT CORD, INCLUDES 1 SWITCH PER KIT	1	
	K001415	60050D0 SWITCH, 10' PILOT DUTY PIGTAIL	1	
16	K001054	61130A0 PUMP SWITCH, 10' 115V	1	

PART NOTES:

- [1] - ****NOTE****
ALARM SWITCH KITS
For /A2 Suffix of model number use Part No. K001134
For /A21 Suffix of model number use Part No. K001415
For /A2W Suffix of model number use Part No. K001134
- [2] - ALARM PRO SERIES
FORA2 SUFFIX OF MODEL
NUMBER: USE PART NO 6225000
FORA2W SUFFIX OF MODEL
NUMBER: USE PART NO 6226000
FORA21 SUFFIX OF MODE
NUMBER: USE PART NO 6242000
Part requires factory authorized service. Contact Liberty Pumps at 1-800-543-2550

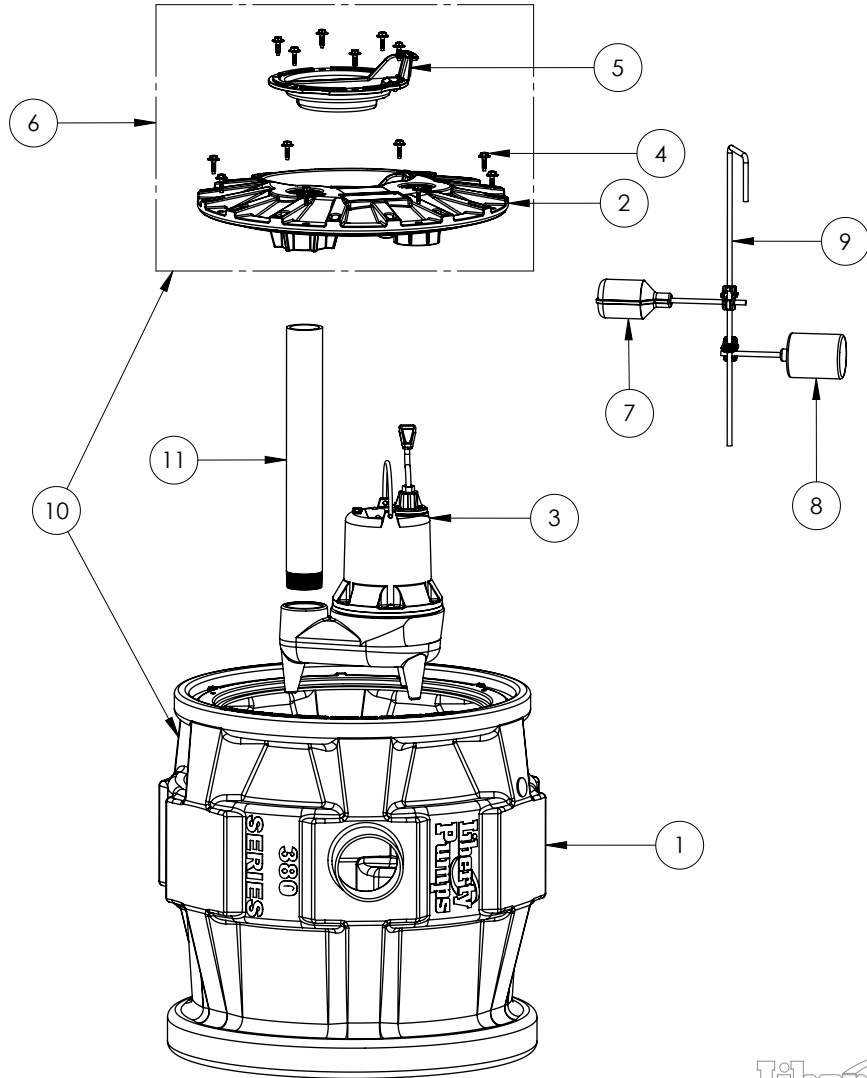
P382LE41

P382LE41 (B10)

ALARM OPTIONS	ADD SUFFIX	LABEL EXAMPLE	PART NUMBER
ALM-2	/A2	P382LE41/A2	6224000
ALM-2W	/A2W	P382LE41/A2W	6626000
ALM-2-1	/A21	382LE41/A21	6222000



NOTE: NOT ALL SYSTEMS COME WITH ALARM



P382LE41

P382LE41 (B10)

#	PART #	DESCRIPTION	QTY	Note
1	K001110	PRO380 SERIES 24" BASIN	1	
2	50340A0	2X2 COVER, 8 BOLTS, FOR PVC PIPE	1	
3	SEE NOTE FOR PUMP MODEL #	LIBERTY PUMP	1	[1]
4	K001162	COVER HARDWARE, WASHER HEAD HEX SCREWS 14 INCLUDED IN KIT	1	
5	K001233	INSPECTION COVER, INCLUDES MOUNTING SCREWS (6)	1	
6	K001101	COVER ASY 2X2, 8 BOLTS, FOR PVC PIPE	1	
7	Pro Series Alarm switch (B10)	REPLACEMENT SWITCH BASED ON SYSTEM LABEL	1	[2]
8	K001054	61130A0 PUMP SWITCH, 10' 115V	1	
9	K001123	QUICKTREE KIT, ROD & CLAMPS ONLY	1	
10	K001107	P382 TANK & 2X2 COVER ASSEMBLY	1	
11	K001399	PRO SERIES PIPE KIT 2" SCH80 X17.50"	1	
	K001054	61130A0 PUMP SWITCH, 10' 115V	1	
	K001144	61130B0 PUMP SWITCH, 25' 115V	1	
	K001134	FLOAT SWITCH, 20FT CORD, INCLUDES 1 SWITCH PER KIT	1	
	K001415	60050D0 SWITCH, 10' PILOT DUTY PIGTAIL	1	

PART NOTES:

[1] - Part requires factory authorized service. Contact Liberty Pumps at 1-800-543-2550

****NOTE****

Select PROSERIES Pump below to show sewage pump assembly parts

ex: P382LE41/A2

LE41

LE41-2

[2] - ****NOTE****

ALARM SWITCH KITS

For /A2 Suffix of model number use Part No. K001134

For /A21 Suffix of model number use Part No. K001415

For /A2W Suffix of model number use Part No. K001134