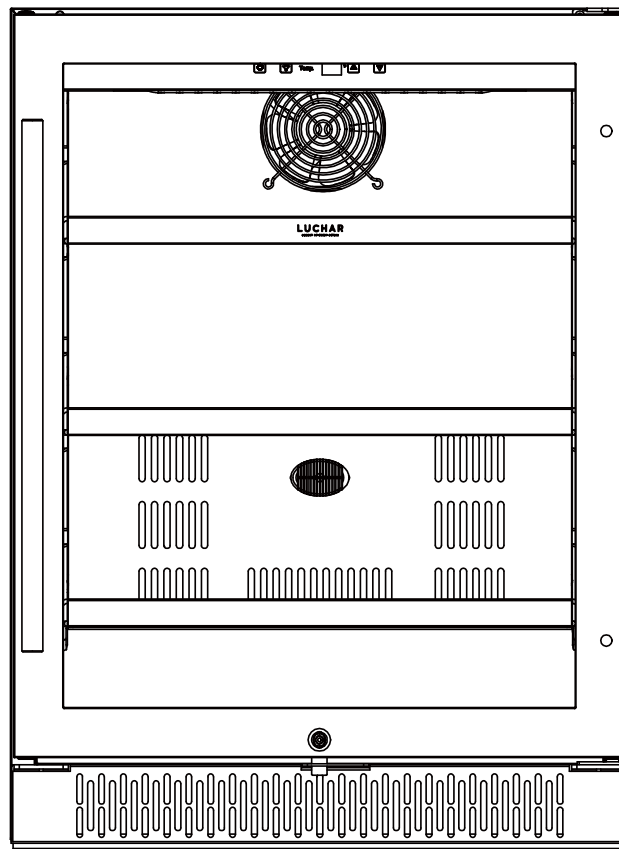

LUCHAR

LUXURY IN EVERY DETAIL

Owner's Manual

24" Compressor Beverage Refrigerator

Model number: LC-145A1EQ-BS



Need help or have a missing part?

Before returning to the store, please reach out to us first.

1-888 850 5221 (Mon-Fri, 8:00 am-5:00 pm PST)
lucharkitchen.com
service@lucharkitchen.com
18555 GALE AVE, CITY OF INDUSTRY, CA 91748

READ AND SAVE THESE INSTRUCTIONS

TABLE OF CONTENTS

IMPORTANT SAFETY RULES	3
IMPORTANT SAFETY INSTRUCTIONS	5
PARTS & FEATURES	6
INSTALLATION INSTRUCTIONS	7
OPERATING YOUR BEVERAGE REFRIGERATOR	11
CARE & MAINTENANCE	13
TROUBLE SHOOTING GUIDE	15
THE WARRANTY	16

IMPORTANT SAFETY RULES

Before the appliance is used, it must be properly positioned and installed as described in this manual, so read the manual carefully. To reduce the risk of fire, electrical shock or injury when using the appliance, follow basic precaution, including the following:



DANGER

- Plug into a grounded 3-prong outlet, do not remove grounding prong, do not use an adapter, and do not use an extension cord.
- Replace all panels before operating.
- It is recommended that a separate circuit, serving only your appliance be provided. Use receptacles that cannot be turned off by a switch or pull chain.
- Never clean appliance parts with flammable fluids. These fumes can create a fire hazard or explosion. And do not store or use gasoline or other flammable vapours and liquids in the vicinity of this or any other appliance. The fumes can create a fire hazard or explosion.
- Before proceeding with cleaning and maintenance operations, make sure the power line of the unit is disconnected.
- Do not connect or disconnect the electric plug when your hands are wet. Unplug the appliance or disconnect power before cleaning or servicing. Failure to do so can result in electrical shock or death.
- Do not attempt to repair or replace any part of your appliance unless it is specifically recommended in this material. All other servicing should be referred to a qualified technician.



WARNING

- Use two or more people to move and install appliance. Failure to do so can result in back or other injury.
- To ensure proper ventilation for your appliance, the front of the unit must be completely unobstructed. Choose a well-ventilated area with temperatures above 60°F (16°C) and below 90°F (32°C). This unit must be installed in an area protected from the element, such as wind, rain, water spray or drips.
- The appliance should not be located next to ovens, grills or other sources of high heat.
- The appliance must be installed with all electrical, water and drain connections in accordance with state and local codes. A standard electrical supply (115 V AC only, 60 Hz), properly grounded in accordance with the National Electrical Code and local codes and ordinances is required.
- Do not kink or pinch the power supply cord of appliance.
- The fuse (or circuit breaker) size should be 15 amperes.
- It is important for the appliance to be levelled in order to work properly. You may need to make several adjustments to level it.
- Never allow children to operate, play with or crawl inside the appliance.
- Do not use solvent-based cleaning agents or abrasives on the interior. These cleaners may damage or discolour the interior.
- Do not use this apparatus for other than its intended purpose.

IMPORTANT SAFETY RULES

FLAMMABLE REFRIGERANT GAS

For your safety, observe the following recommendations.

Safety Guidelines

- This appliance contains a small quantity of R600a refrigerant which is environmentally friendly, but flammable. It does not damage the ozone layer, nor does it increase the greenhouse effect.
During transportation and installation, ensure that the tubing of the refrigerant circuit is not damaged.
- Avoid using or manipulating sharp objects near by the appliances.
- Leaking refrigerant can ignite and may damage the eyes.
- In the event any damage does occur, avoid exposure to open fires and any device which creates a spark. Disconnect the appliance from the mains power.
- Thoroughly ventilate the room in which the appliance is located for several minutes.
Notify Customer Service for necessary action and advice.
- The room for installing the appliance must be at least 1 cubic metre per 8 grams of refrigerant. The refrigerant quantity contained in this appliance is listed above in grams; it is also noted on the Rating Plate of the appliance.



DANGER

- Risk of fire or explosion. Flammable refrigerant used.
- DO NOT use mechanical devices to defrost refrigerator. DO NOT puncture refrigerant tubing.
- Risk of fire or explosion. Flammable refrigerant used. To be repaired only by trained service personnel. DO NOT puncture refrigerant tubing.



WARNING

- Risk of fire or explosion: Flammable refrigerant used. Consult repair manual / owner's guide before attempting to service this product. All safety precautions must be followed.
- Risk of fire or explosion: Dispose of property in accordance with federal or local regulations.
- Risk of fire or explosion due puncturing of the refrigerant tubing. Follow handling instructions carefully.
- To prevent a child from being entrapped, keep out of reach of children and not in the vicinity of the cooler.

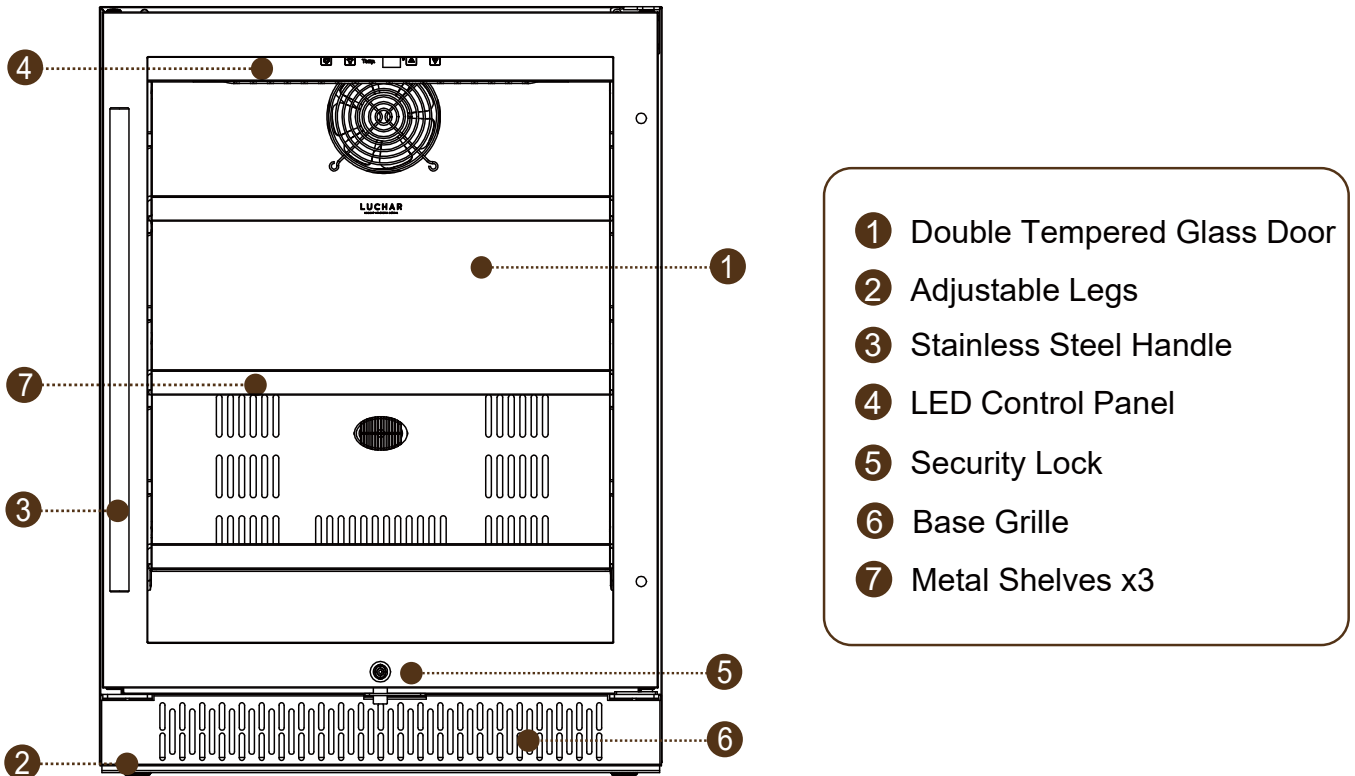
IMPORTANT SAFETY INSTRUCTIONS

⚡ WARNING ⚡

To reduce the risk of fire, electrical shock, or injury when using your appliance, follow these basic precautions:

- Read all instructions before using the beverage refrigerator
- **DANGER or WARNING:** Risk of child entrapment.
Child entrapment and suffocation are not problems of the past. Junked or abandoned appliances are still dangerous.
- Before you throw away your old beverage refrigerator take off the door but leave the shelves in place so that children may not easily climb inside.
- Never allow children to operate, play with, or crawl inside the appliance.
- Never clean appliance parts with flammable fluids. The fumes can create a fire hazard or explosion.
- Do not store or use gasoline or any other flammable vapours and liquids in the vicinity of this or any other appliance. The fumes can create a fire hazard or explosion.

PARTS & FEATURES



Technical Data:

Model:	LC-145A1EQ-BS
Capacity :	5.12 Cubic Feet (164 standard 12 oz. beverage cans)
Voltage:	115V / 60Hz
Rated Current:	1.2A
Temperature Range:	34°F - 54°F (1°C - 12°C)
Net Weight:	92.7 lbs
Gross Weight:	116 lbs
Unit Dimension:	23.4" W x 22.4" D x 32.3" H 24" D with handles installed
Packaging Dimension:	27.5" W x 26.8" D x 35.2" H
Refrigerant:	R600a

INSTALLATION INSTRUCTIONS

1 Before Using the Beverage Refrigerator

- Remove the exterior and interior packing.
- Check to be sure you have all of the following parts:
 - 3 shelves
 - Keys
 - Handle
 - Instruction Manual
- Before connecting the product to the power source, let it stand upright for approximately twenty four (24) hours. This will reduce the possibility of a malfunction in the cooling system from handling during transportation.
- Clean the interior surface with lukewarm water using a soft cloth.
- Install the handle on the left side of the door.

2 Installation of the product

- This appliance is designed to be for free standing installation or built-in (fully recessed). Place your product on a floor that is strong enough to support it when it is fully loaded. To level the product, adjust the front leveling legs at the bottom of the unit.
- Locate the product away from direct sunlight and sources of heat (stove, heater, radiator, etc.). Direct sunlight may affect the acrylic coating and heat sources may increase electrical consumption. Extreme cold ambient temperatures may also cause the unit not to perform properly. Don't install in a location where the temperature will fall below 60°F (16°C). Avoid locating the unit in a moist area.
- For best performance, it is recommended that you install the appliance in a location with an ambient temperature between 72°-78°F. If the ambient temperature is above or below recommended temperatures, the performance of the unit may be affected.
- Plug the unit into an exclusive, properly installed-grounded wall outlet. Do not under any circumstances cut or remove the third (ground) prong from the power cord. Any questions concerning power and/or grounding should be directed toward a certified electrician or an authorized service center.

3 Built-in Cabinet Instructions

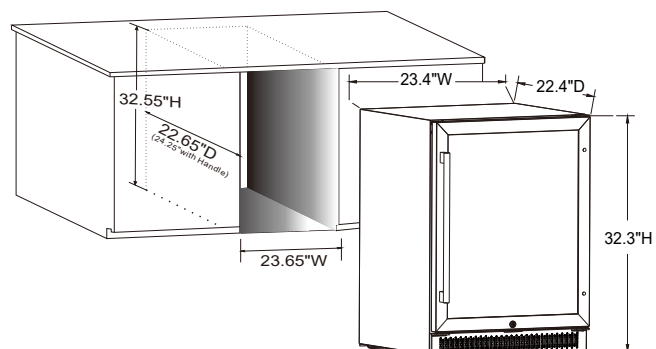
For built-in installation, leave a ¼" (6 mm) gap around the beverage refrigerator, including the sides and top, to ensure proper ventilation for cooling the compressor and condenser. Also, avoid obstructing the front exhaust vent, as this may negatively affect the unit's operation.

Cabinet opening dimensions

Minimum Width: 23.65" (60.1 cm)

Minimum Depth: 22.65" (57.6 cm)

Minimum Height: 32.55" (82.7 cm)



INSTALLATION INSTRUCTIONS

4 Free Standing Instructions

For freestanding installation, it is recommended to leave a 5-inch (127mm) gap between the back and sides of the unit to allow sufficient airflow for cooling the compressor and condenser.

5 Electrical Connection

- ⚡ **WARNING** ⚡ : Improper use of the grounded plug can result in the risk of electrical shock. If the power cord is damaged, have it replaced by an authorized service center.
- This appliance should be properly grounded for your safety. The power cord of this appliance is equipped with a three-prong plug which mates with standard three prong wall outlets to minimize the possibility of electrical shock. Do not under any circumstances cut or remove the third ground prong from the power cord supplied. For personal safety, this appliance must be properly grounded.
 - This appliance requires a standard 115/120 Volt AC ~/60Hz electrical ground outlet with three-prong. Have the wall outlet and circuit checked by a qualified electrician to make sure the outlet is properly grounded. When a standard 2-prong wall outlet is encountered, it is your responsibility and obligation to have it replaced with a properly grounded 3-prong wall outlet. The cord should be secured behind the appliance and not left exposed or dangling to prevent accidental injury.
 - The appliance should always be plugged into its own individual electrical outlet which has a voltage rating that matches the rating label on the appliance. This provides the best performance and also prevent overloading house wiring circuits that could cause a fire hazard from overheated. Never unplug the appliance by pulling the power cord. Always grip the plug firmly and pull straight out from the receptacle. Repair or replace immediately all power cords that have become frayed or otherwise damaged. Do not use a cord that shows cracks or abrasion damage along its length or at either end. When moving the appliance, be careful not to damage the power cord.

6 Extension Cord

Because of potential safety hazards under certain conditions, it is strongly recommended that you do not use an extension cord with this appliance. However, if you must use an extension cord it is absolutely necessary that it be a UL/CUL-Listed, 3-wire grounding type appliance extension cord having a grounding type plug and outlet and that the electrical rating of the cord be 115 volts and at least 10 amperes.

INSTALLATION INSTRUCTIONS

7 Power bar with Surge Protection (recommended)

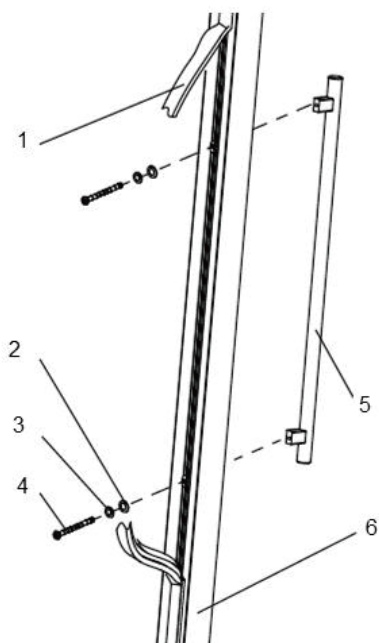
Most electrical appliances use a series of electric control boards to operate. These boards are very susceptible to power surges and could be damaged or destroyed.

If the appliance is going to be used in an area or if your city / country is prone to power surges / outages; it is suggested that you use a power surge protector for all electrical devices / appliances you use. The surge protector that you select must have a surge block high enough to protect the appliance it is connected to. If you have any questions regarding the type and size of surge protector, you need to contact a licensed electrician in your area.

8 Installing the Handle

This beverage refrigerator includes a stainless steel handle. To install the handle please follow the below instructions:

1. Remove the door gasket where the handle should be installed on the left side of the door, as shown below. You won't need tool since the gasket can be removed by hand. You can start with a corner if you can't remove it from the center.
2. Use the two handle screws, lock washer and flat washer included in the bag containing the instruction manual and insert them into the side of the door from the inside to the outside.
3. Align the holes in the handle with the screws, tighten the screws using the screwdriver until the base of the handle is at the level of the door and that the handle is tight but not too tight to damage the assembly.
4. Replace the gasket the door in place.

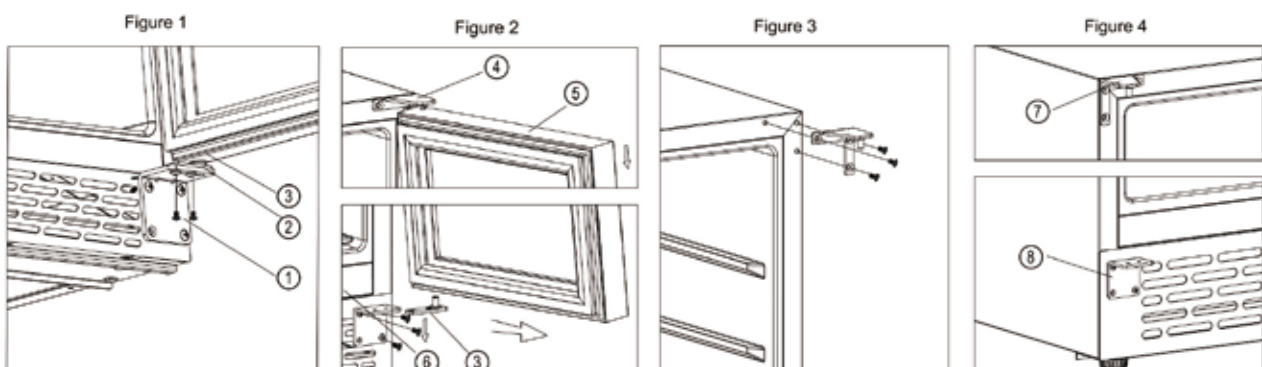


- ① Gasket
- ② Flat washer
- ③ Lock washer
- ④ Screw
- ⑤ Handle
- ⑥ Door frame

INSTALLATION INSTRUCTIONS

9 Reversing the Door

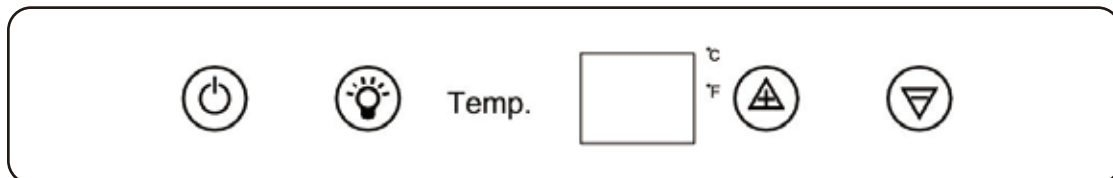
1. Remove the bottom hinge holder (2) by unscrewing the two lock screws (1). Be careful to hold the glass door firmly after removing the screws. (Figure 1)
2. Gently pull down to remove the glass door from the right top hinge and place it on a padded surface to avoid the risk of damage. Remove the lower hinge on the vent grill by prying using a screwdriver and move it to the right side of the door where the door was just removed from the hinge.
3. Unscrew and transfer the lower hinge (6) and lower hinge holder (3) to the opposite side, making sure to line up the screw holes. (Figure 2)
4. Using a flat-head screwdriver, gently pry up the decorative hinge cover plate from the top left of the unit and the round black decorative cover caps on the upper left side corner of the inside cabinet frame. Use them to cover the screw holes from the right-hand side.
5. Move the top hinge from the right-hand side to the left-hand side of cabinet(7). by removing the screws. (Figure 3/4)
6. Relocate the door to the left-hand side of cabinet by placing the door hinge holes into the hinge, then screw the bottom hinge assembly onto the left designated position and tighten after the door is leveled. (Figure 4)
7. Peel the door gasket back to reveal the pre-installed door handle screws and decorative screw covers. Using a small flat-head screwdriver unscrew and reverse the location of the door handle screws with the screw covers.
8. Install the door handle using the handle installation instructions.








OPERATING YOUR BEVERAGE REFRIGERATOR

It is recommended you install the beverage refrigerator in a place where the ambient temperature is between 19°C-24°C (66°F-75°F). If the ambient temperature is above or below recommended temperatures, the performance of the unit may be affected. For example, placing your unit in extreme cold or hot conditions may cause interior temperatures to fluctuate. The range of 5°C-22°C (40°F-72°F) may not be reached.

1 LED Control Panel



-  **ON/OFF:** To turn on or off the unit, press on the ON/OFF buttons at the same time for 5 seconds.
-  **INSIDE LIGHTING:** To turn on or off the lighting, press on the light button.
-  **TEMPERATURE DISPLAY:** Press on the light button for 5 seconds. The display will change and show you your preference (°C or °F).
-  **[+] BUTTON:** To increase the temperature by 1°C or 1°F
-  **[-] BUTTON:** To decrease the temperature by 1°C or 1°F

NOTE: If the unit is unplugged, if the power is lost, or turned off, you must wait 3 to 5 minutes before restarting the unit. If you attempt to restart before this time delay, the beverage refrigerator will not start.

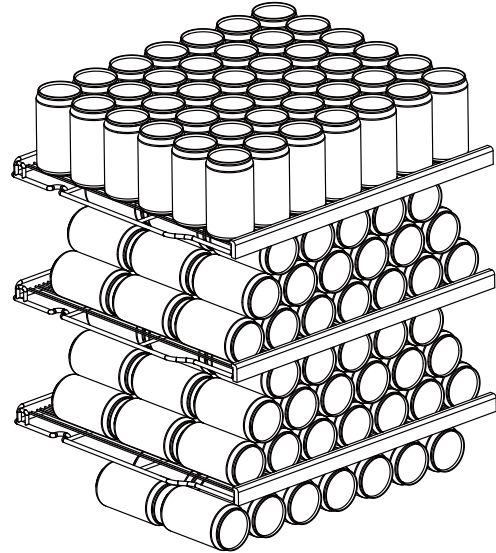
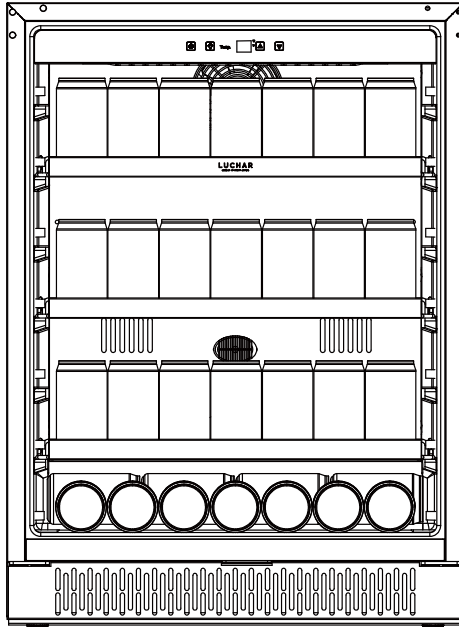
When you use the beverage refrigerator for the first time or restart beverage refrigerator after having been shut off for a long time, there could be a few degrees variance between the temperature you select and the one indicated on the LED readout. This is normal and it is due to the length of the activation time. Once beverage refrigerator is running for a few hours everything will be back to normal.

2 Setting the Temperature

The temperature range of product is 34°F-54°F (1°C - 12°C). The temperature will increase by 1°C or 1°F if you touch UP once, or the temperature will decrease by 1°C or 1°F if you touch DOWN once. To view the setting temperature at any time, touch the UP or DOWN marks. The setting temperature will temporarily flash in the LED display for 5 seconds. The internal storage temperature will appear in blue on the temperature display window.

OPERATING YOUR BEVERAGE REFRIGERATOR

Large Storage Capacity



Total: $42+54+54+14=164$ bottles

3 Door Lock

Your unit is provided with a lock and key. The keys are located inside the plastic bag that contains the Instruction Manual. Insert the key into the lock and turn it counter clockwise to unlock the door. To lock the door do the reverse operation making sure metal pin is engaged completely. Remove the key and place it in a secure place for safekeeping.

5 Shelves

This appliance comes with 3 wire shelves featuring a decorative front. The shelves are designed to be easily removable and slide out smoothly.

To prevent damaging the door gasket, make sure to have the door all the way opened when pulling shelves out of the product. For easy access to the bottles, you must pull the shelves approximately 1/3 out of the cabinet.

CARE & MAINTENANCE

1 Cleaning the Beverage Refrigerator

Turn off the power, unplug the appliance, and remove all items including shelves. Wash the inside surfaces with a warm water and baking soda solution. The solution should be about 2 tablespoons of baking soda to 1 cup of water. Wash the shelves with a mild detergent solution. Wring excess water out of the sponge or cloth when cleaning area of the controls, or any electrical parts. Wash the outside cabinet with warm water and mild liquid detergent. Rinse well and wipe dry with a clean soft cloth.

ATTENTION: By not disconnecting the unit during operation, you will expose yourself to risk of electric shock or personal injury.

2 Automatic Defrosting

The unit defrost automatically. The evaporator behind the rear wall of the unit defrosts automatically. The condensate collects in the drainage channel behind the rear wall of the unit, and flows through the drainage hole into the drip tray by the compressor where it evaporates.

3 Power Failure

Most power failures are corrected within a few hours and should not affect the temperature of your appliance if you minimize the number of times the door is opened. If the power is going to be off for a longer period of time, you need to take the proper steps to protect your contents.

4 Moving the Beverage Refrigerator

1. Remove all items (bottles)
2. Tape down securely all loose items (shelves) inside your appliance.
3. Turn the adjustable leg up to the base to avoid damage.
4. Tape the door shut.
5. Be sure the appliance stays secure in the upright position during transportation. If you absolutely need to transport beverage refrigerator horizontally, transport beverage refrigerator on its back (door on top).
6. Protect outside of appliance with a blanket, or similar item.

5 Energy Saving Tips

The beverage refrigerator should be located in the coolest area of the room, away from heat producing appliances, and out of the direct sunlight.

Ensure that the unit has proper allowances on all sides for proper ventilation. Never cover any air vents.

Only open the cooler door for as long as necessary. Frequent opening of the door will affect internal temperature.

CARE & MAINTENANCE

6 Charcoal Filtration System

Your beverage refrigerator is equipped with an active charcoal filtration system to ensure air purity and to maintain an odour free cabinet for the storage of your beverage. The filter is located at the bottom of the rear panel inside your beverage refrigerator. Keep in mind, that this filter should be changed every 12 months.

- Remove the bottles stored on the two (2) shelves in front of the filter.
- Remove the shelves and set aside to be replaced once you have changed the filter
- Hold the filter and turn it at 45 degrees in the counter-clockwise direction and then pull it out.
- Remove the existing filter and replace with a new



TROUBLE SHOOTING GUIDE

You can solve many common beverage refrigerator problems with ease, potentially avoiding the expense of a service visit. Consider trying the suggestions below before reaching out to service team.

PROBLEM	POSSIBLE CAUSE	SOLUTION
<i>Product does not operate.</i>	Not plugged in. The appliance is turned off. The circuit breaker tripped or a blown fuse.	Plug the unit. Turn on the unit. Check the breaker and/or fuses.
<i>Product is not cold enough.</i>	External environment may require a higher setting. There is insufficient ventilation. The door is not completely closed or the door seal is not working properly.	Lower the temperature of the fridge. Place the beverage fridge in an area with proper ventilation and clearances. Make sure nothing is blocking the front grille. Close the door tightly. Do not keep the door open for extended periods of time. Replace the seal on the door if necessary.
<i>The compressor turns on and off frequently.</i>	The room temperature is hotter than normal. A large amount of contents has been added to the unit. The door is opened too often or not closed completely. The temperature control is not set correctly. The door gasket does not seal properly.	Close the door properly. Check the door gasket.
<i>The fans turn on and off frequently.</i>	In order to circulate the air and maintain the set temperature inside the cabinet the fans must cycle on and off even when the compressor is off. The fans will cycle ON and OFF while the compressor is off approximately every 20 seconds, this is called "Semi-speed status". This cycle is normal and meant both to circulate the air as well as ensure the continued operational status of the fans. If the fan stops completely and does not complete this cycle the fan is non-operational.	
<i>Fan is always running</i>	This is simply a function of the cooling system. The lower the setting, the more the fan will run. If the room is very warm, the cooler will run more. The unit has been designed to run continuously when operating at the lower temperatures.	
<i>The light does not work.</i>	Not plugged in. The circuit breaker tripped or a blown fuse. The light button is "OFF". There may be a problem with the display board.	Plug the unit. Check the breaker and/or fuses. Contact the manufacturer.
<i>Vibrations.</i>	The unit is not levelled The bottles are vibrating. There is an object under the unit.	Check to assure that the beverage refrigerator is level. Make sure the bottles don't touch each others. Remove the object.
<i>The product seems to make too much noise.</i>	The unit is not level. There is insufficient ventilation. The unit is too close to a wall or another surface. The fan may be obstructed	Level the beverage refrigerator. The rattling noise may come from the flow of the refrigerant, which is normal. As each cycle ends, you may hear gurgling sounds caused by the flow of refrigerant in your beverage refrigerator. Contraction and expansion of the inside walls may cause popping and crackling noises. Allow sufficient clearance around the unit. Check the fan to make sure there is no debris or obstruction. If not, contact the manufacturer.
<i>Display shows EL OR EH</i>	The air temperature sensor in the corresponding temperature zone has failed.	Contact the manufacturer.
<i>Inside light flashes</i>	In some instances, this is normal the light may flash when the automatic defrost function starts to work. Set temperature is higher than inner temperature.	Adjust temperature to resolve.
<i>Frost appears in the unit.</i>	There is excess humidity or the interior temperature is too low.	Turn off the beverage fridge, unplug it, and remove the frost buildup manually. Reconnect the power once the ice has thawed. If problem persists, contact for service instructions.
<i>The door will not close properly.</i>	The unit is not level. The door was reversed and not properly installed. The gasket is dirty. The shelves are out of position.	Adjust the unit's feet and ensure the unit is level. Check the door hinges to make sure they are properly installed. Clean the door gasket. Place the shelves properly.

THE WARRANTY

1 YEAR WARRANTY PARTS & LABOUR	3 YEAR WARRANTY COMPRESSOR
<p>For a year (12 months) from the date of delivery by the original owner, we will, at its option, repair or replace any part of the unit, which proves to be defective in material or workmanship under normal use.</p> <p>During this period we will provide all parts and labour necessary to correct such defects free of charge, so long as the unit has been installed and operated in accordance with the written instructions in this manual.</p>	<p>For the 2nd through the 3rd year from date of original delivery, we will provide a replacement compressor free of charge due to a failure.</p> <p>You are responsible for the service labour and freight charges. Cost to move the beverage refrigerator to the servicers' shop and back to the user's home, as may be required, are the user's responsibility.</p>

WHAT IS NOT COVERED

- Damage due to such things as accident, misuse, abuse, mishandling, neglect, acts of God, fires, earthquakes, floods, high winds, government, war, riot or labour troubles, strikes, lockouts, delay of carrier, or any cause beyond the control of the Seller whether similar or dissimilar to the foregoing.
- Content losses due to spoilage.
- Incidental or consequential damages.
- Parts and labour costs for the following will not be considered as warranty:
 - Door springs, and/or frames.
 - Inner door panels, door rails and/or door supports.
 - Light bulbs and/or plastic housing.
 - Plastic cabinet liners.
- Punctured evaporator that voids the warranty on the complete sealed system.
- Repairs performed by unauthorized servicers.
- Service calls that do not involve defects in material or workmanship such as customer education, door reversal, or proper installation.
- Service calls that are related to external problems, such as abuse, misuse, inadequate electrical power, accidents, fire, floods, or acts of God.
- Replacement of house fuses or resetting circuit breakers.
- Failure of the product if it is used for other than its intended purpose.
- This warranty does not apply outside Canada or the Continental USA.

Purchaser understands and acknowledges that the goods purchased are beverage refrigerator. Purchaser assumes all risk of using this unit, including risk of spoilage, humidity variations, temperature variations, leaks, fire, water damage, mold, mildew, dryness, and similar perils that might occur.



LUCHAR

L U X U R Y I N E V E R Y D E T A I L



(888) 850 5221 Mon-Fri, 8:00 am-5:00 pm PST



lucharkitchen.com



service@lucharkitchen.com



18555 GALE AVE, CITY OF INDUSTRY, CA 91748

