



FUZION BATH SERIES

INSTALLATION / OPERATION INSTRUCTIONS

Save These Instructions for Future Use.

Complete and mail-in the product registration card provided with your unit.
Write and save the model and serial number of your unit below.

Owner's Record

Date Purchased _____

Purchased From _____

Installed By _____

Serial Number _____

Model _____

Installer: Leave this manual for homeowner.
Homeowner: Read this manual and keep for future reference.

IMPORTANT SAFETY INSTRUCTIONS READ AND FOLLOW ALL INSTRUCTIONS SAVE THESE INSTRUCTIONS

INSTRUCTIONS PERTAINING TO A RISK OF FIRE, ELECTRIC SHOCK, OR INJURY TO PERSONS

WARNING — WHEN USING THIS UNIT, BASIC PRECAUTIONS SHOULD ALWAYS BE FOLLOWED, INCLUDING THE FOLLOWING:

DANGER: TO REDUCE THE RISK OF INJURY, DO NOT PERMIT CHILDREN TO USE THIS UNIT UNLESS THEY ARE CLOSELY SUPERVISED AT ALL TIMES.

WARNING — USE THIS UNIT ONLY FOR ITS INTENDED USE AS DESCRIBED IN THIS MANUAL. DO NOT USE ATTACHMENTS NOT RECOMMENDED BY THE MANUFACTURER.

WARNING — NEVER DROP OR INSERT ANY OBJECT INTO ANY OPENING IN THE WHIRLPOOL BATH.

WARNING — DO NOT OPERATE THIS UNIT WITHOUT THE GUARD OVER THE SUCTION FITTING.

WARNING — THIS UNIT MUST BE CONNECTED ONLY TO A SUPPLY CIRCUIT THAT IS PROTECTED BY A GROUND FAULT CIRCUIT INTERRUPTER (GFCI). SUCH A GFCI SHOULD BE PROVIDED BY THE INSTALLER AND SHOULD BE TESTED ON A ROUTINE BASIS. TO TEST THE GFCI, PUSH THE TEST BUTTON. THE GFCI SHOULD INTERRUPT POWER. PUSH THE RESET BUTTON. POWER SHOULD BE RESTORED. IF THE GFCI FAILS TO OPERATE IN THIS MANNER, THE GFCI IS DEFECTIVE. IF THE GFCI INTERRUPTS POWER TO THE BATHTUB WITHOUT THE TEST BUTTON BEING PUSHED, A GROUND CURRENT FLOWING, INDICATING A POSSIBILITY OF AN ELECTRIC SHOCK. DO NOT USE THIS UNIT. DISCONNECT THE UNIT AND HAVE THE PROBLEM CORRECTED BY A QUALIFIED SERVICE REPRESENTATIVE BEFORE USING.

WARNING: (FOR PERMANENTLY CONNECTED UNITS) A GREEN COLORED TERMINAL (OR A WIRE CONNECTOR MARKED “G”, “GR”, “GROUND”, OR “GROUNDING”) IS PROVIDED WITHIN THE TERMINAL COMPARTMENT. TO REDUCE THE RISK OF ELECTRIC SHOCK, CONNECT THE TERMINAL OR CONNECTOR TO THE GROUNDING TERMINAL OF YOUR ELECTRIC SERVICE OR SUPPLY PANEL WITH A CONDUCTOR EQUIVALENT IN SIZE TO THE CIRCUIT CONDUCTORS SUPPLY THIS EQUIPMENT.

OPERATING

WARNING — PROLONGED IMMERSION IN HOT WATER MAY INDUCE HYPERTHERMIA. HYPERTHERMIA OCCURS WHEN THE INTERNAL TEMPERATURE OF THE BODY REACHES A LEVEL SEVERAL DEGREES ABOVE THE NORMAL BODY TEMPERATURE OF 98.6°F. THE SYMPTOMS OF HYPERTHERMIA INCLUDE AN INCREASE IN THE INTERNAL TEMPERATURE OF THE BODY, DIZZINESS, LETHARGY, DROWSINESS AND FAINTING. THE EFFECTS OF HYPERTHERMIA INCLUDE:

- A) FAILURE TO PERCEIVE HEAT
- B) FAILURE TO RECOGNIZE THE NEED TO EXIT THE SPA OR TUB
- C) UNAWARENESS OF IMPENDING HAZARD
- D) FETAL DAMAGE IN PREGNANT WOMEN
- E) PHYSICAL INABILITY TO EXIT THE SPA OR HOT TUB OR
- F) UNCONSCIOUSNESS RESULTING IN DANGER OF DROWNING.

WARNING — THE USE OF ALCOHOL, DRUGS OR MEDICATION CAN GREATLY INCREASE THE RISK OF FETAL HYPERTHERMIA.

WARNING — DO NOT TAMPER WITH USER-OPERATED CONTROLS OR SUCH DEVICES.

INSTALLATION

DANGER — RISK OF ELECTRIC SHOCK. CONNECT ONLY TO A CIRCUIT PROTECTED BY A GROUND FAULT CIRCUIT INTERRUPTER (GFCI).

CAUTION — TEST THE GROUND FAULT CIRCUIT INTERRUPTER PROTECTING THIS APPLIANCE PERIODICALLY IN ACCORDANCE WITH MANUFACTURER'S INSTRUCTIONS.

WARNING — USE THIS UNIT ONLY FOR ITS INTENDED USE AS DESCRIBED IN THIS MANUAL. DO NOT USE ATTACHMENTS NOT RECOMMENDED BY THE MANUFACTURERS.

WARNING — TO AVOID INJURY, EXERCISE CAUTION WHEN ENTERING OR EXITING THE HYDROMASSAGE BATHTUB.

WARNING — KEEP BODY AND HAIR A MINIMUM OF 6" (15,2 cm) AWAY FROM SUCTION FITTING AT ALL TIMES WHEN THE HYDROMASSAGE SYSTEM IS OPERATING. HAIR LONGER THAN SHOULDER LENGTH SHOULD BE SECURED CLOSE TO THE HEAD.

WARNING — RISK OF ELECTRICAL SHOCK; DO NOT PERMIT ELECTRICAL APPLIANCES (SUCH AS HAIR DRYER, LAMP, TELEPHONE, RADIO OR TELEVISION) WITHIN 60" (1.5 m) OF THIS HYDROMASSAGE BATHTUB.

WARNING — RISK OF ACCIDENTAL INJURY OR DROWNING; DO NOT USE DRUGS OR ALCOHOL BEFORE OR DURING THE USE OF HYDROMASSAGE BATHTUB EQUIPPED WITH A HEATER TO AVOID UNCONSCIOUSNESS AND POSSIBLE DROWNING.

WARNING — RISK OF FETAL INJURY; PREGNANT OR POSSIBLY PREGNANT WOMEN SHOULD CONSULT A PHYSICIAN BEFORE USING A HYDROMASSAGE BATHTUB EQUIPPED WITH A HEATER.

WARNING — RISK OF HYPERTHERMIA AND POSSIBLE DROWNING; DO NOT USE A HYDROMASSAGE BATHTUB EQUIPPED WITH A HEATER IMMEDIATELY FOLLOWING STRENUOUS EXERCISE.

WARNING — RISK OF HYPERTHERMIA AND POSSIBLE DROWNING; WATER TEMPERATURE IN EXCESS OF 104°F (40°C) MAY BE INJURIOUS TO YOUR HEALTH. CHECK AND ADJUST WATER TEMPERATURE BEFORE USE.

WARNING — RISK OF HYPERTHERMIA; PEOPLE USING MEDICATIONS AND/OR HAVING AN ADVERSE MEDICAL HISTORY SHOULD CONSULT A PHYSICIAN BEFORE USING A HYDROMASSAGE BATHTUB EQUIPPED WITH A HEATER.

WARNING — THE USE OF ALCOHOL, DRUGS OR MEDICATION CAN GREATLY INCREASE THE RISK OF FATAL HYPERTHERMIA.

FOR BUILT-IN AND DROP-IN UNITS, INSTALL TO PERMIT ACCESS FOR SERVICING.

THIS UNIT SHOULD BE ELECTRICALLY GROUNDED AND INSTALLED BY A LICENSED CONTRACTOR, ELECTRICIAN, AND PLUMBER.

BUILDING MATERIALS AND WIRING SHOULD BE ROUTED AWAY FROM THE MOTOR/PUMP OR BLOWER OR OTHER HEAT PRODUCING COMPONENTS OF THIS UNIT.

A PRESSURE WIRE CONNECTOR IS PROVIDED ON THE EXTERIOR OF THE MOTOR/PUMP AND HEATER TO PERMIT CONNECTION OF AN NO. 8 AWG (8.4 MM) SOLID COPPER BONDING CONDUCTOR BETWEEN THIS UNIT AND ALL OTHER ELECTRIC EQUIPMENT AND EXPOSED METAL IN THE VICINITY, AS NEEDED TO COMPLY WITH LOCAL REQUIREMENTS.

PRECAUTIONS

- Do not operate the hydromassage system unless the bath is filled with water to at least 1" to 2" (25,4 mm to 50,8 mm) above the highest jet.
- Do not immerse the control panel by overfilling the bath.
- Do not use oil-based bath additives in your hydromassage bath.
- When cleaning your bath, do not use abrasive substances which will damage the bath's surface.
- To prevent discoloration of the acrylic finish, do not fill the bath with water in excess of 140°F (60°C).
- Do not use household cleansers on any of the wood surfaces if equipped.

NOTE: This is a professional grade product. A knowledge of construction techniques, plumbing and electrical installation according to codes are required for proper installation and user satisfaction. We recommend that a licensed contractor perform the installation of all Jacuzzi Whirlpool Bath products. Our warranty does not cover improper installation related problems.

CONTENTS

Safety Instructions	2-3
Contents	4
Specifications	5-7
Roughing-in Reference	8-11
Drop-in Installation	12
Undermount Installation	13-14
Control Panel Installation	15
Service Access	15
Electrical Connections	16
Plumbing and Water Supply	17
Clean-up After Installation	17
Wood Finish	18
Operating Instructions	18-20
Maintenance Instructions	21-22
General Troubleshooting Guide	23
Authorized Service	24
Warranty	25-26

NOTE: To obtain a referral for a service agent in your area call 800-288-4002. You may also visit our web site at <http://www.jacuzzi.com/>. To find service agent listings for:

Electrical or Mechanical Repairs visit <http://jacuzzi.com/pdf/ASA.PDF>

Finish, Surface, or Shell-Related Repairs visit <http://jacuzzi.com/pdf/AFC.PDF>

Repair Parts or Accessories visit <http://jacuzzi.com/pdf/MPD.PDF>

INSTRUCTIONS

ENGLISH

Important: Read complete instructions before beginning installation.

Each Fuzion whirlpool bath arrives completely equipped with motor/pump assembly, heater, and plumbing necessary for whirlpool operation. Before tub installation can begin, install overflow fitting and pull control panel cord through control cutout in the tub deck. If unit is equipped with wood frame set frame aside in protective packaging until final trim installation.

Remove the bath from the carton. Retain the shipping carton until satisfactory inspection of the product has been made. **Do not lift the bath by the plumbing at any time; handle by the shell only.**

Immediately upon receipt, inspect the shell and tub contents before installing. Should inspection reveal any damage or defect in the finish, do not install the bath. Damage or defect to the finish claimed after the bath is installed is excluded from the warranty. Jacuzzi Whirlpool Bath's responsibility for shipping damage ceases upon delivery of the products in good order to the carrier. Refer any claims for damage to the carrier. For definitions of warranty coverage and limitations, refer to the published warranty information packed with the product or in the back of this manual.

All bath units are factory tested for proper operation and watertight connections prior to shipping. **NOTE: Prior to installation, the bath must be filled with water and operated to check for leaks that may have resulted from shipping damage or mishandling.** Jacuzzi Whirlpool Bath is not responsible for any defect that could have been discovered, repaired, or avoided by following this inspection and testing procedure.

This manual is intended to assist you with the installation of your Fuzion tub.

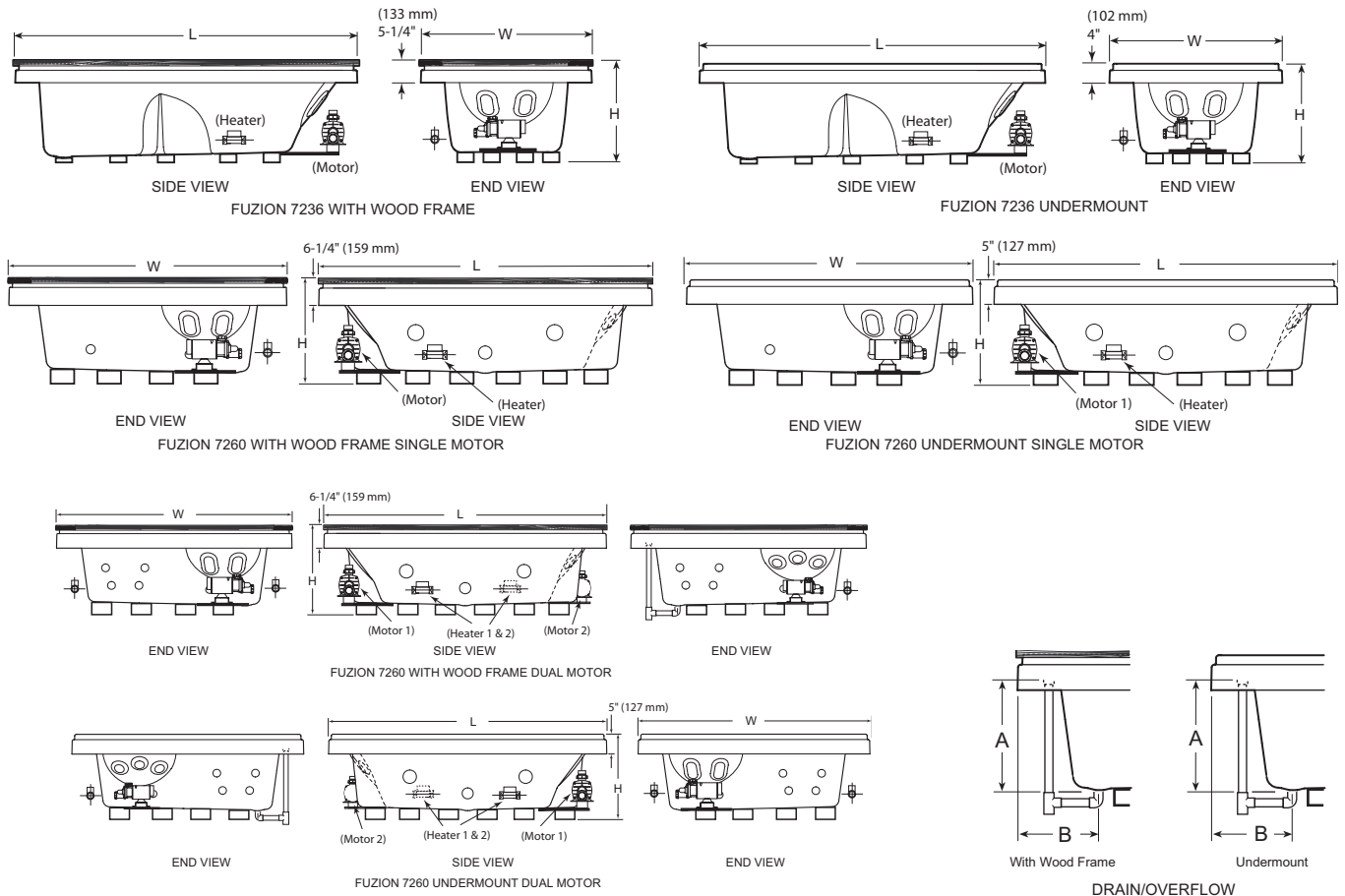
Specifications for all tubs are combined.

Framing and Support installation instructions are divided into two sections; drop-in and undermount.

The remaining instructions for all tubs are combined.

SPECIFICATIONS

RECTANGULAR



SPECIFICATIONS

SPECIFICATIONS (Rectangular)

ENGLISH

MODEL	DIMENSIONS	DRAIN/OVERFLOW	CUTOUT	TOTAL WEIGHT/ FLOOR LOADING	OPERATING GALLONAGE	PRODUCT WEIGHT	HEATER
FUZION 7236 WITH TEAK LH RH	70-11/16" (1795 mm) L 35-3/8" (899 mm) W 22-3/4" (578 mm) H	16-3/4" (425 mm) A 12" (305 mm) B	71" x 35" (1803 mm x 889 mm)	1238.8 lb (563 kg)/ 68.8 lb/ft ² (335 kg/m ²)	Min - 68 U.S. gal (257 liters) Max - 101 U.S. gal (382 liters)	195 lb (88.6 kg)	Factory Installed (S749000 Heater)
FUZION 7236 WITH WENGE LH RH	70-11/16" (1795 mm) L 35-3/8" (899 mm) W 22-3/4" (578 mm) H	16-3/4" (425 mm) A 12" (305 mm) B	71" x 35" (1803 mm x 889 mm)	1238.8 lb (563 kg)/ 68.8 lb/ft ² (335 kg/m ²)	Min - 68 U.S. gal (257 liters) Max - 101 U.S. gal (382 liters)	195 lb (88.6 kg)	Factory Installed (S749000 Heater)
FUZION 7236 UNDERMOUNT LH RH	70-11/16" (1795 mm) L 35-3/8" (899 mm) W 21-1/2" (546 mm) H	16-3/4" (425 mm) A 12" (305 mm) B	Template Provided P/N DD42000	1188.8 lb (540.4 kg)/ 60 lb/ft ² (321.4 kg/m ²)	Min - 68 U.S. gal (257 liters) Max - 101 U.S. gal (382 liters)	154 lb (70 kg)	Factory Installed (S749000 Heater)
FUZION 7260 WITH TEAK SINGLE MOTOR LH RH	72" (1829 mm) L 60" (1524 mm) W 22-3/4" (578 mm) H	16-3/4" (425 mm) A 12-1/16" (306 mm) B	71" x 59" (1803 mm x 1499 mm)	1805 lb (820.5 kg)/ 60 lb/ft ² (293 kg/m ²)	Min - 110 U.S. gal (416 liters) Max - 148 U.S. gal (560 liters)	274 lb (125 kg)	Factory Installed (S749000 Heater)
FUZION 7260 WITH WENGE SINGLE MOTOR LH RH	72" (1829 mm) L 60" (1524 mm) W 22-3/4" (578 mm) H	16-3/4" (425 mm) A 12-1/16" (306 mm) B	71" x 59" (1803 mm x 1499 mm)	1805 lb (820.5 kg)/ 60 lb/ft ² (293 kg/m ²)	Min - 110 U.S. gal (416 liters) Max - 148 U.S. gal (560 liters)	274 lb (125 kg)	Factory Installed (S749000 Heater)
FUZION 7260 UNDERMOUNT SINGLE MOTOR LH RH	72" (1829 mm) L 60" (1524 mm) W 21-1/2" (546 mm) H	16-3/4" (425 mm) A 12-1/16" (306 mm) B	Template Provided P/N DD44000	1730 lb (786 kg)/ 57.6 lb/ft ² (281 kg/m ²)	Min - 110 U.S. gal (416 liters) Max - 148 U.S. gal (560 liters)	199 lb (90.5 kg)	Factory Installed (S749000 Heater)
FUZION 7260* WITH TEAK DUAL MOTOR	72" (1829 mm) L 60" (1524 mm) W 22-3/4" (578 mm) H	16-3/4" (425 mm) A 12-1/16" (306 mm) B	71" x 59" (1803 mm x 1499 mm)	1849 lb (840.5 kg)/ 61.6 lb/ft ² (300 kg/m ²)	Min - 110 U.S. gal (416 liters) Max - 148 U.S. gal (560 liters)	319 lb (145 kg)	Factory Installed (BN60000 Heater)
FUZION 7260* WITH WENGE DUAL MOTOR	72" (1829 mm) L 60" (1524 mm) W 22-3/4" (578 mm) H	16-3/4" (425 mm) A 12-1/16" (306 mm) B	71" x 59" (1803 mm x 1499 mm)	1849 lb (840.5 kg)/ 61.6 lb/ft ² (300 kg/m ²)	Min - 110 U.S. gal (416 liters) Max - 148 U.S. gal (560 liters)	319 lb (145 kg)	Factory Installed (BN60000 Heater)
FUZION 7260* UNDERMOUNT DUAL MOTOR	72" (1829 mm) L 60" (1524 mm) W 21-1/2" (546 mm) H	16-3/4" (425 mm) A 12-1/16" (306 mm) B	Template Provided P/N DD44000	1774 lb (806 kg)/ 59.1 lb/ft ² (288 kg/m ²)	Min - 110 U.S. gal (416 liters) Max - 148 U.S. gal (560 liters)	244 lb (111 kg)	Factory Installed (BN60000 Heater)

NOTE: The overall dimensions are nominal with a tolerance of +0 and -1/4" (6,4 mm).

FOR ALL UNITS: Electrical Service Requirements: All require a dedicated GFCI protected separate circuit.

SINGLE MOTOR units:

RapidHeat™: 120 VAC, 15 AMP, 60 Hz. dedicated GFCI protected separate circuit.

Motor/Pump: 120 VAC, 20 AMP, 60 Hz. dedicated GFCI protected separate circuit.

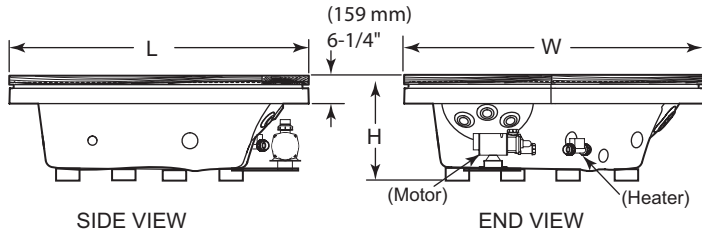
*DUAL MOTOR units: (2) Two 230 VAC, 20 AMP, 60 Hz. dedicated GFCI protected separate circuits required.

One (1) Heater and (1) Motor/Pump on each 230 VAC, 20 AMP, 60 Hz. dedicated GFCI protected separate circuit.

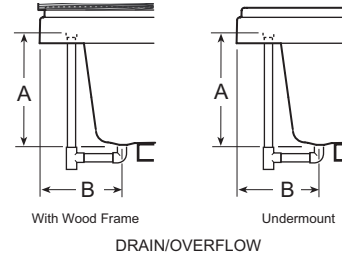
SPECIFICATIONS

CORNER BATHS

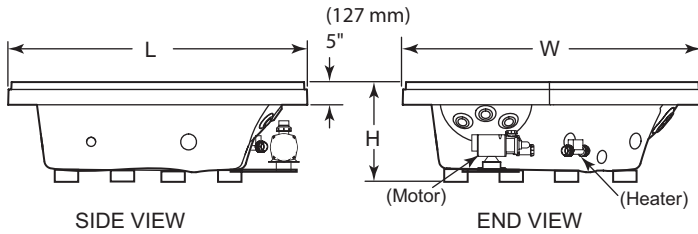
ENGLISH



FUZION 6666 WITH WOOD FRAME



DRAIN/OVERFLOW



FUZION 6666 UNDERMOUNT

SPECIFICATIONS (Corner)

MODEL	DIMENSIONS	DRAIN/OVERFLOW	CUTOUT	TOTAL WEIGHT/ FLOOR LOADING	OPERATING GALLONAGE	PRODUCT WEIGHT	HEATER
FUZION 6666 WITH TEAK LH RH	66" (1676 mm) L 66" (1676 mm) W 22-3/4" (578 mm) H	16-13/16" (427 mm) A 12-1/8" (308 mm) B	See Page 11	1923 lb (874 kg)/ 72.6 lb/ft ² (354 kg/m ²)	Min - 124 U.S. gal (469 liters) Max - 176 U.S. gal (666 liters)	256 lb (116.4 kg)	Factory Installed (S749000 Heater)
FUZION 6666 WITH WENGE LH RH	66" (1676 mm) L 66" (1676 mm) W 22-3/4" (578 mm) H	16-13/16" (427 mm) A 12-1/8" (308 mm) B	See Page 11	1923 lb (874 kg)/ 72.6 lb/ft ² (354 kg/m ²)	Min - 124 U.S. gal (469 liters) Max - 176 U.S. gal (666 liters)	256 lb (116.4 kg)	Factory Installed (S749000 Heater)
FUZION 6666 UNDERMOUNT LH RH	66" (1676 mm) L 66" (1676 mm) W 21-1/2" (546 mm) H	16-13/16" (427 mm) A 12-1/8" (308 mm) B	Template Provided P/N DD43000	1851 lb (841 kg)/ 69.8 lb/ft ² (340 kg/m ²)	Min - 124 U.S. gal (469 liters) Max - 176 U.S. gal (666 liters)	184 lb (83.5 kg)	Factory Installed (S749000 Heater)

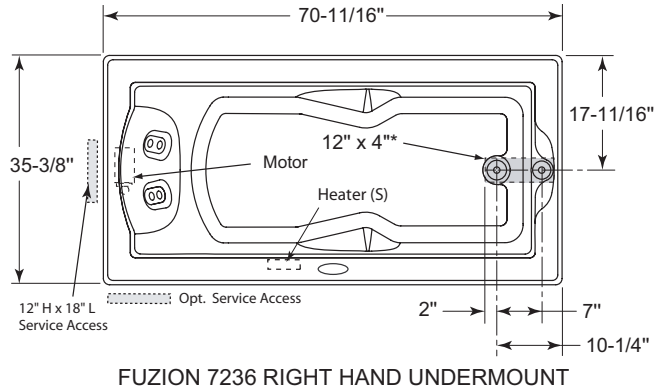
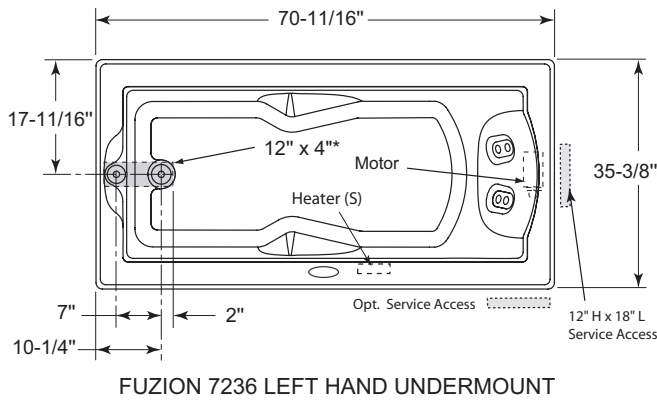
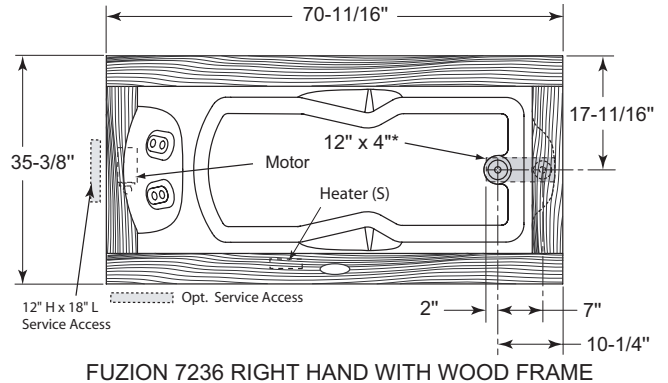
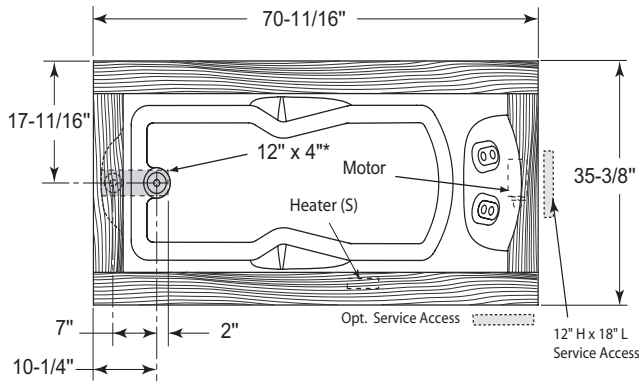
NOTE: The overall dimensions are nominal with a tolerance of +0 and -1/4" (6,4 mm).

FOR ALL UNITS: Electrical Service Requirements: All require a dedicated GFCI protected separate circuit.
RapidHeat™: 120 VAC, 15 AMP, 60 Hz. dedicated GFCI protected separate circuit.
Motor/Pump: 120 VAC, 20 AMP, 60 Hz. dedicated GFCI protected separate circuit.

ROUGHING-IN REFERENCE

ROUGHING-IN REFERENCE (RECTANGULAR)

NOTE: Some of these units have been provided with cutout templates included in shipping carton. See CUTOUT information for each model on page 6-7.



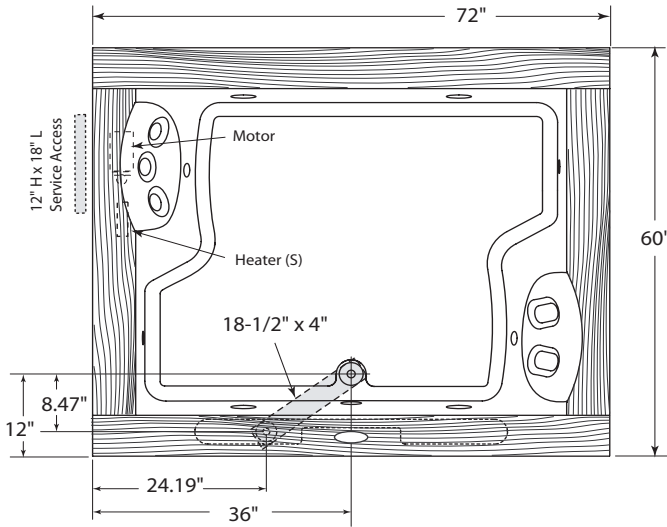
- NOTE:
1. Unless otherwise specified, units are produced with left or right-hand versions.
 2. Service Access dimensions given are minimum size.
 3. Measurements inside each unit represent cutout in floor to allow for drain/overflow.
 4. All measurements are in inches. To convert to millimeters, multiply inches by 25.4.
 5. THE OVERALL DIMENSIONS ARE NOMINAL WITH A TOLERANCE OF +0 AND -1/4" (6,4 mm).

ROUGHING-IN REFERENCE

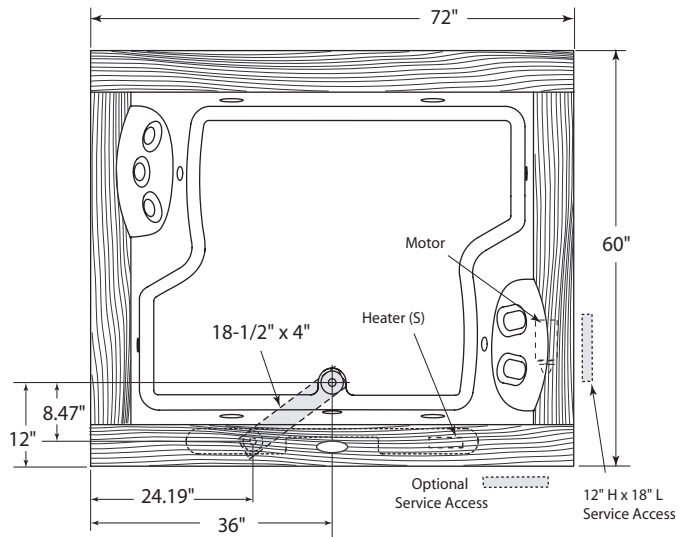
ROUGHING-IN REFERENCE (RECTANGULAR)

NOTE: Some of these units have been provided with cutout templates included in shipping carton. See CUTOUT information for each model on page 6-7.

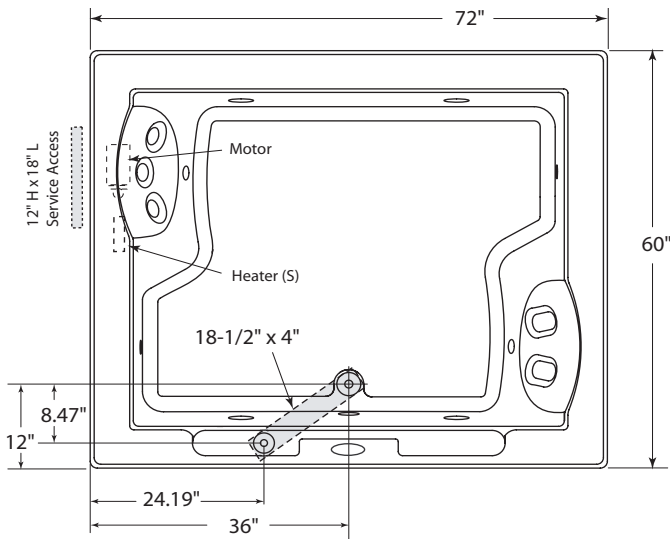
ENGLISH



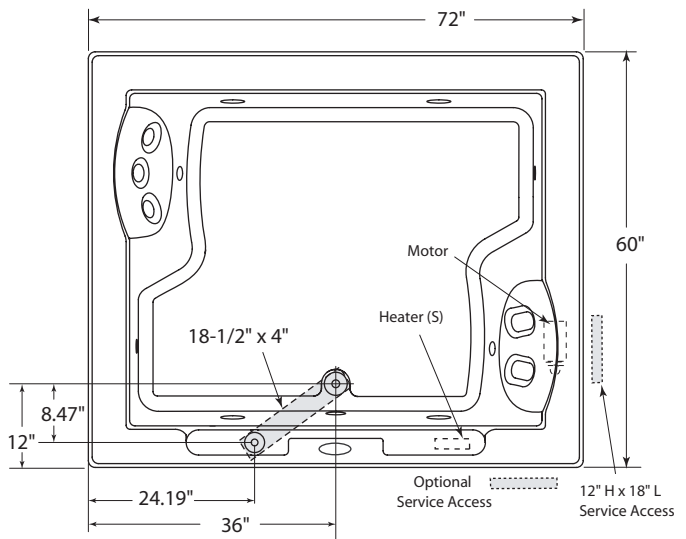
FUZION 7260 SINGLE MOTOR WITH WOOD FRAME
LEFT HAND MOTOR



FUZION 7260 SINGLE MOTOR WITH WOOD FRAME
RIGHT HAND MOTOR



FUZION 7260 SINGLE MOTOR UNDERMOUNT
LEFT HAND MOTOR



FUZION 7260 SINGLE MOTOR UNDERMOUNT
RIGHT HAND MOTOR

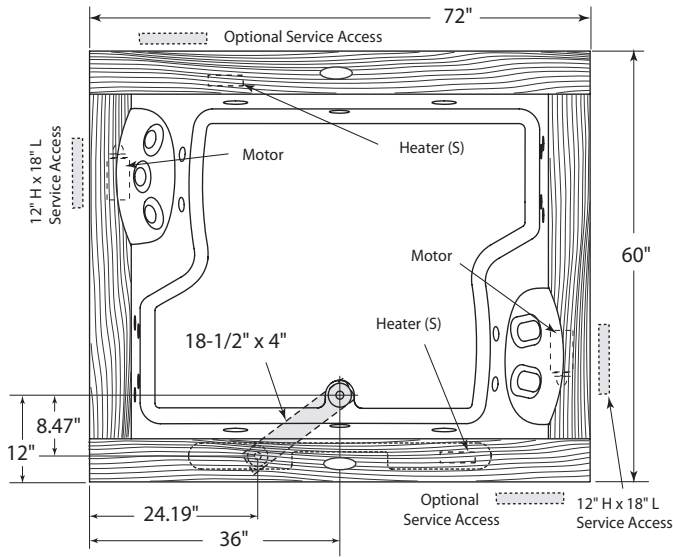
- NOTE:
1. Unless otherwise specified, units are produced with left or right-hand versions.
 2. Service Access dimensions given are minimum size.
 3. Measurements inside each unit represent cutout in floor to allow for drain/overflow.
 4. All measurements are in inches. To convert to millimeters, multiply inches by 25.4.
 5. THE OVERALL DIMENSIONS ARE NOMINAL WITH A TOLERANCE OF +0 AND -1/4" (6,4 mm).

ROUGHING-IN REFERENCE

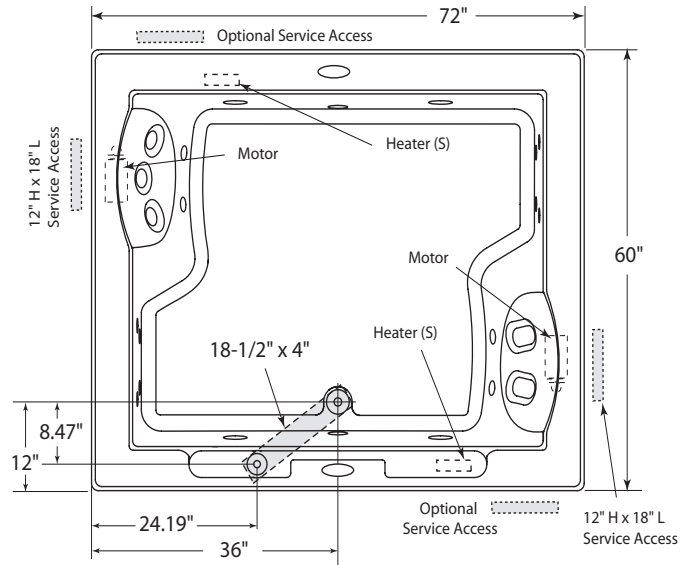
ROUGHING-IN REFERENCE (RECTANGULAR)

NOTE: Some of these units have been provided with cutout templates included in shipping carton. See CUTOUT information for each model on page 6-7.

ENGLISH



FUZION 7260 DUAL MOTOR WITH WOOD FRAME



FUZION 7260 DUAL MOTOR UNDERMOUNT

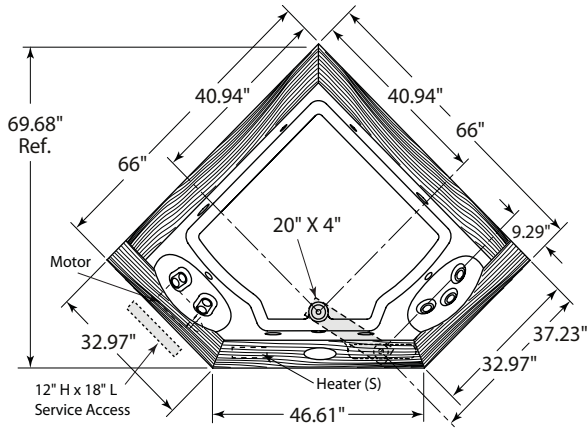
- NOTE:
1. Unless otherwise specified, units are produced with left or right-hand versions.
 2. Service Access dimensions given are minimum size.
 3. Measurements inside each unit represent cutout in floor to allow for drain/overflow.
 4. All measurements are in inches. To convert to millimeters, multiply inches by 25.4.
 5. THE OVERALL DIMENSIONS ARE NOMINAL WITH A TOLERANCE OF +0 AND -1/4" (6,4 mm).

ROUGHING-IN REFERENCE

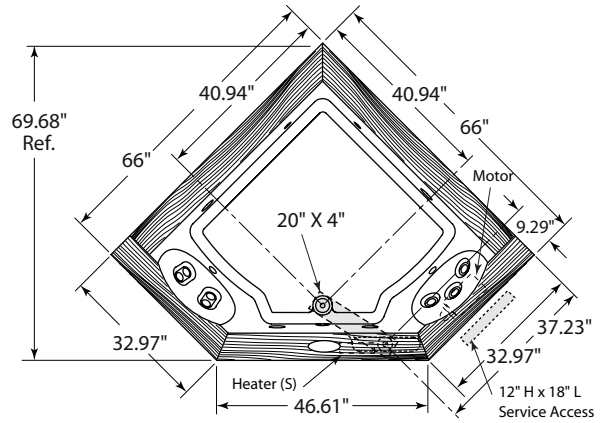
ROUGHING-IN REFERENCE (CORNER)

NOTE: Some of these units have been provided with cutout templates included in shipping carton. See CUTOUT information for each model on page 6-7.

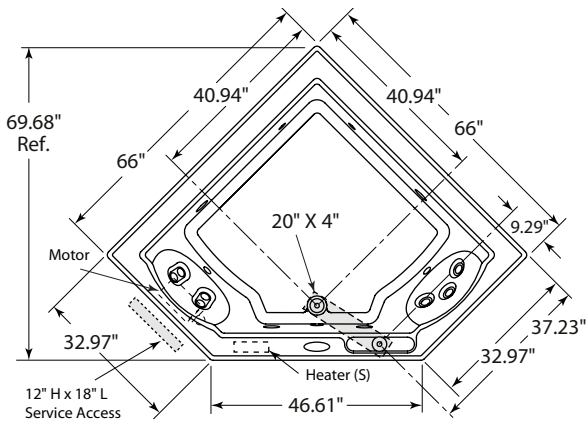
ENGLISH



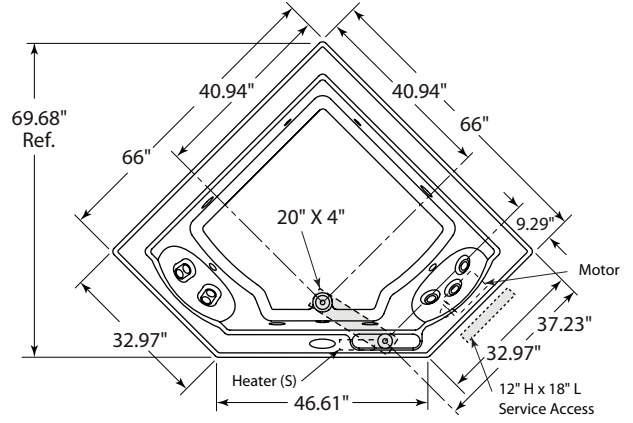
FUZION 6666 CORNER WITH WOOD FRAME
LEFT HAND MOTOR



FUZION 6666 CORNER WITH WOOD FRAME
RIGHT HAND MOTOR



FUZION 6666 CORNER UNDERMOUNT
LEFT HAND MOTOR

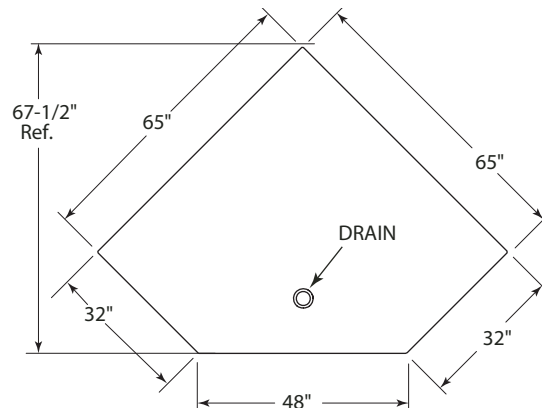


FUZION 6666 CORNER UNDERMOUNT
RIGHT HAND MOTOR

- NOTE:
1. Unless otherwise specified, units are produced with left or right-hand versions.
 2. Service Access dimensions given are minimum size.
 3. Measurements inside each unit represent cutout in floor to allow for drain/overflow.
 4. All measurements are in inches. To convert to millimeters, multiply inches by 25.4.
 5. THE OVERALL DIMENSIONS ARE NOMINAL WITH A TOLERANCE OF +0 AND -1/4" (6,4 mm).

CORNER CUTOUT

NOTE: Use this cutout for tubs with wood frame ONLY. Undermount tubs come with a cutout template.



FUZION 6666 CORNER CUTOUT

DROP-IN TUB INSTALLATION INSTRUCTIONS

Use these Framing and Support instructions for Fuzion tubs with wood frame.

Framing and Support

The drain/overflow must be installed before beginning this step. See **Plumbing and Water Supply** for details and instructions. The drain/overflow tailpiece of the bath extends below the bottom of the bath. Note that this requires a cutout in the floor.

The floor structure beneath the bath must be able to support a total weight of bath, water, and bather. Refer to the table in SPECIFICATIONS under Total Weight for your model. The unit must be supported from the bottom of the bath and **not** from the bath rim. If the subfloor is level and a continuous surface, no other preparation is necessary. You can proceed to install the bath. If the subfloor is not level, you **MUST** level the entire surface prior to installing the bath. The use of materials that shim or provide a level installation are allowed provided the method used will insure a level bath that is supported from the bottom. Materials that may be used are a floor leveling compound, mortar, plaster or minimal expansion structural foam having a density of a minimum of 5 lbs./cubic feet; however the bath must remain level in order for it to drain properly and all foam feet must make full contact with the leveling material. Both sides of a joint or splice of subfloor should be level to each other.

NOTE: Drop-In Bath units are equipped with metal anchor straps. These straps can be used to secure the unit to the floor or sub-floor to reduce movement after installation. If mortar or similar anchoring material is used, these straps are not necessary.

WARNING: ALL foam feet must contact the floor. Anchoring straps and/or other anchoring materials will not properly anchor unit if ALL foam feet are NOT in contact with a level floor. Operating a unit improperly installed may cause irreparable damage to the unit.

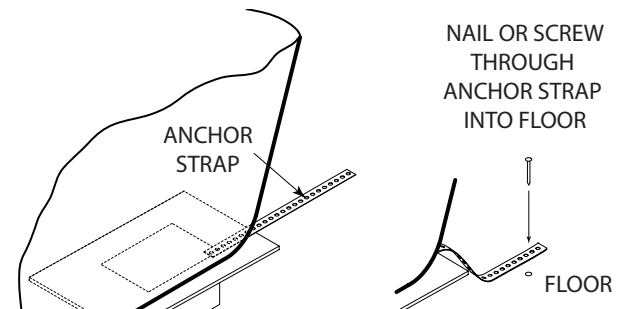
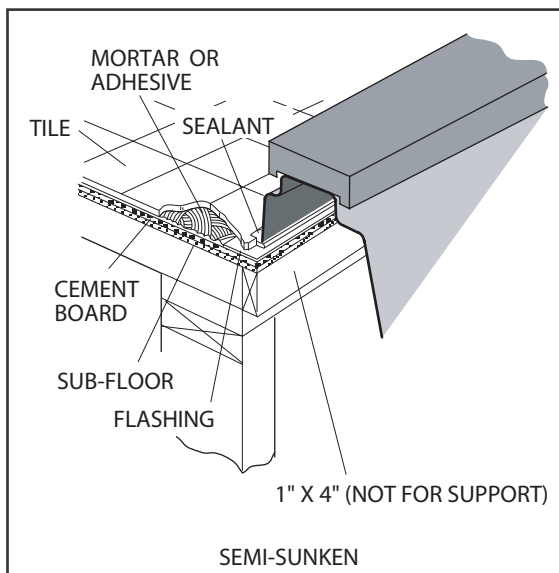
The rim of the bath is not designed to support weight. If finish material is to overlap or contact the bath, the added weight must be fully self-supporting.

The wood frame must be attached before beginning these instructions. The drain overflow parts must be assembled and properly installed.

The protective film liner inside the bath is used to prevent damage to the finish during installation. Before installation, remove liner to inspect for any defects, reapply and do not remove until final cleanup.

Install optional trim parts when all installation has been completed.

TYPICAL INSTALLATION



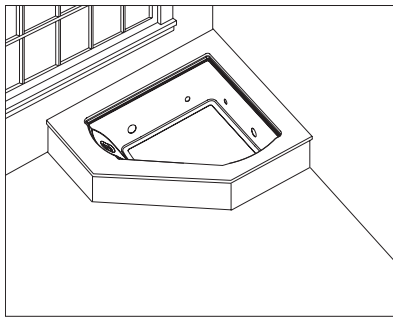
UNDERMOUNT TUB INSTALLATION INSTRUCTIONS

Use these Framing and Support instructions for Fuzion undermount tubs.

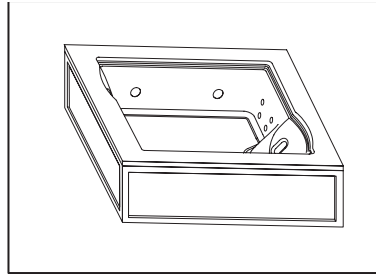
ENGLISH

UNDERMOUNT INSTALLATION OPTIONS

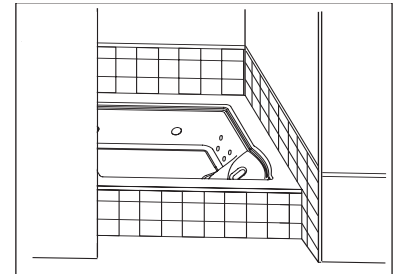
The undermount gives the opportunity to be flexible in the design and location of the bath. Examples are shown for possible installations.



CORNER



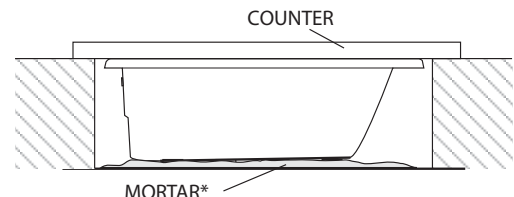
FREE STANDING



NICHE

Installation

A typical installation will have these construction characteristics.



*MORTAR MUST BE IN CONTACT WITH ALL FOAM FEET

Unit Protection

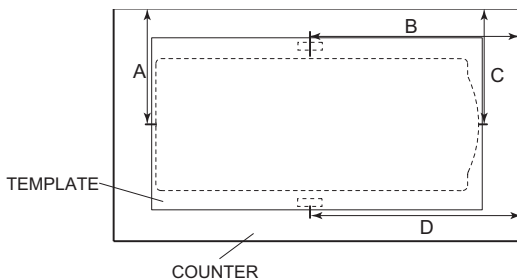
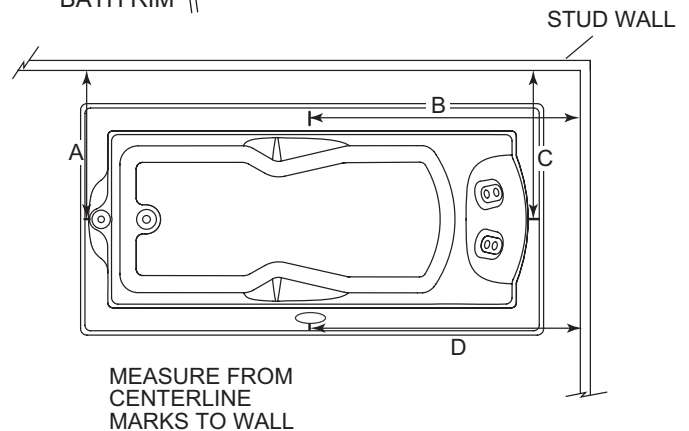
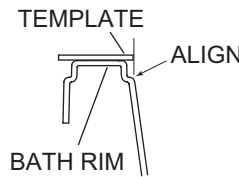
If protective film has been removed, reapply film. For added protection, place a drop cloth or other material in the bottom of bath for protection. Be careful not to scratch the bath surface.

Counter Preparation

Locate the tub in the position for the installation. The drain overflow parts **MUST** be assembled and properly installed. See **Plumbing and Water Supply**.

Position the template so that the cutout aligns with the tub's rim edge.

With bath and template in this position, using a grease pencil, mark on the bath the center line positions through the cut out. Remove template. Measure from marked center lines to a fixed point such as a wall.

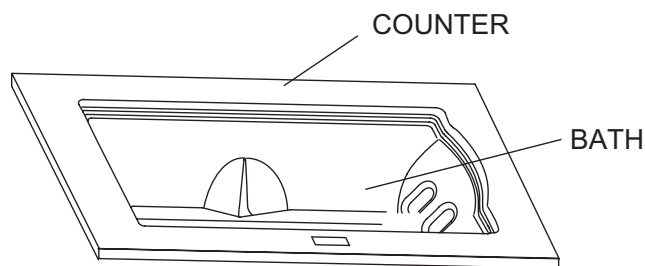


Transfer these measurements to counter and mark center line positions. Position template and cut counter for the desired offset including control panel cutout.

After cutting is complete, perform any needed routing, edge work or polishing to the counter.

UNDERMOUNT TUB INSTALLATION INSTRUCTIONS

Position the counter on top of the bath to ensure correct fit and appearance. Make any adjustments that may be necessary. Remove the counter.

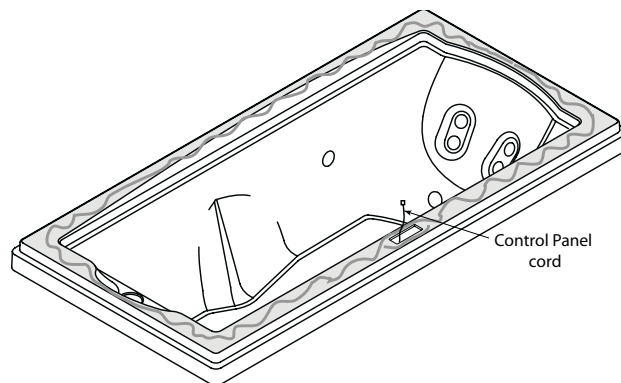


Adhering Counter to Bath

Ensure control panel cord (from underneath) is routed up through the control panel cutout in the counter and secured before gluing counter to tub.

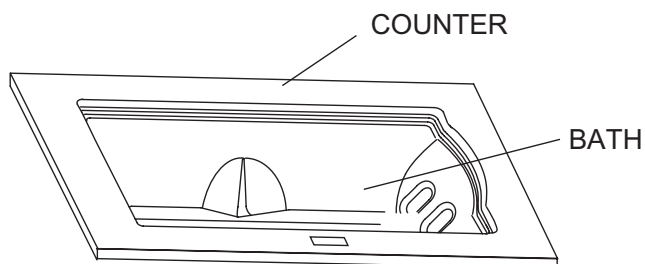
Clean any dirt or debris from the bath rim. Do not use abrasive cleaners.

Where the counter will make contact with top of the bath rim, apply a bead of silicone sealant (not provided).

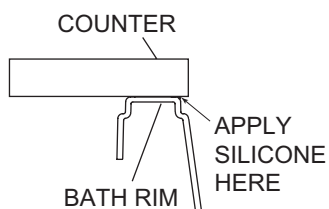
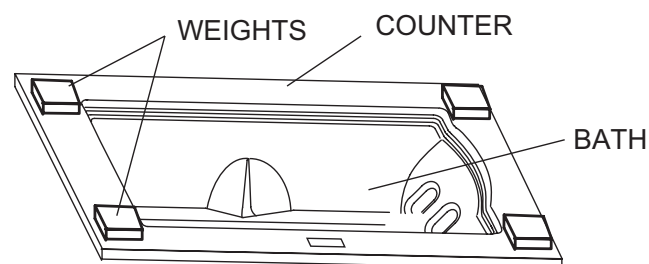


CAUTION: Do not use an adhesive or adhesive sealant to secure the counter to the bath rim. If maintenance or remodelling is required the counter may have to be removed. Adhesive will permanently bond the counter to the bath. This will make removal difficult and costly and may cause damage to the counter or bath.

Carefully position the counter onto the bath rim. The counter will need to be held in place while the sealant cures. Follow the manufacturer's instructions to determine time required for curing.



Apply a continuous bead of silicone sealant around the entire seam between the counter and bath rim. Allow sealant to skin over or cure before cleaning the counter or bath.



INSTALLATION INSTRUCTIONS

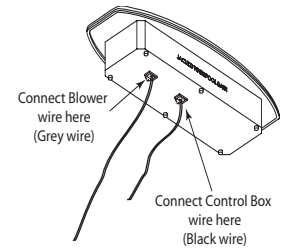
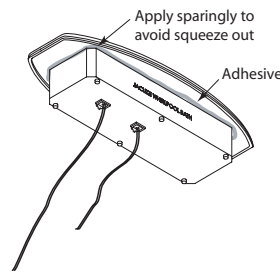
Control Panel Installation

For drop-in and undermount installations, install the control panel as shown below.

The control panel cutout opening in the assembled wood frame and tub and in the assembled counter and tub must be clear and free of adhesive.

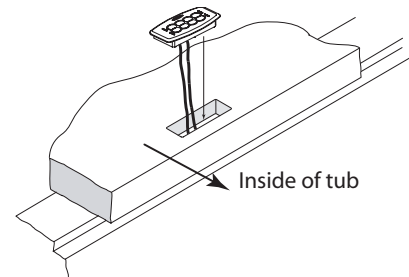
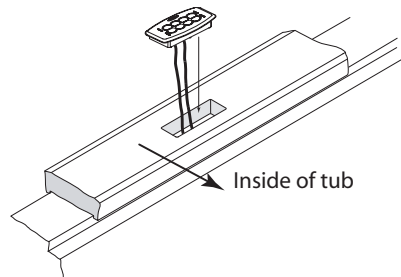
Control panel and wire to be free of defects. Insert wire into panel connector.

Apply adhesive sparingly around base of control panel.



Thread wire through cutout and to control box. Orientate control panel so that the Jacuzzi logo is read from the inside of the tub. Lower control panel in cutout and press firmly to embed adhesive.

Connect wire to control box.



Service Access

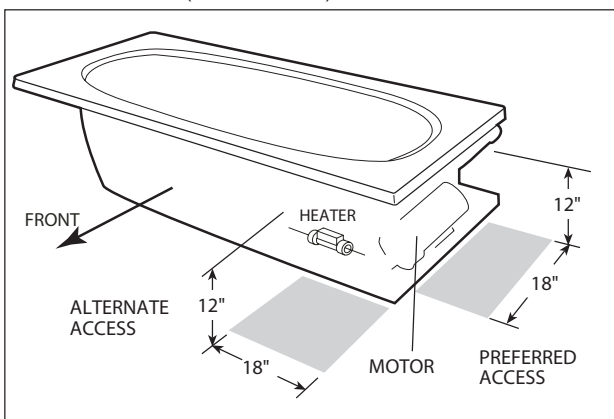
For partially or fully sunken installations, allow for access to service connections. It is the installer's responsibility to provide sufficient service access. The recommended minimum dimensions allowable for service to the bath are shown in the "Service Access" illustration. The recommended location(s) of the service access are shown on the Rough-in drawings.

Provide adequate area around unit for air circulation for cooling the motor and to supply sufficient air to the jets. Do not insulate this area or around motor.

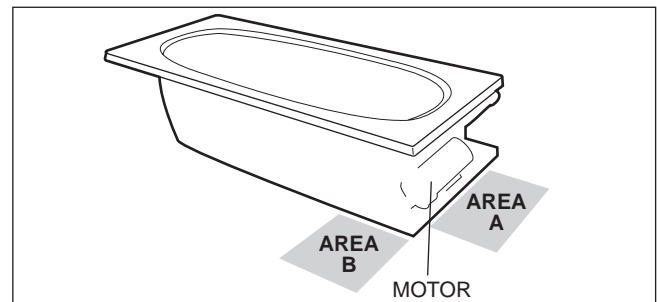
In some cases, access may not have been provided because of the design of the bath environment and having full understanding that in this case, it may be necessary to remove the unit for service.

If this is the case, diagnosing a problem may not be possible without complete access to the plumbing system. This would necessitate the removal of the unit. Although this practice is not commonly implemented, it is an acceptable method.

SERVICE ACCESS (WITHOUT SKIRT)



SERVICE ACCESS



In some cases access may have been provided in Area A but service is required in Area B which requires the unit to be pulled for service and reinstalled.

If service access has not been provided, it is the home owners responsibility to remove the bath and provide the required access, should a repair become necessary.

INSTALLATION INSTRUCTIONS

Electrical Connections

Separate circuits for all (except the Fuzion 7260 Dual motor) tubs, each must be protected by a Ground Fault Circuit Interrupter (GFCI), are required for the pump/motor and the RapidHeat™ Heater. The Fuzion 7260 Dual motor tubs require two (2) separate circuits, each must be protected by a Ground Fault Circuit Interrupter (GFCI), for each pump/motor and RapidHeat™ Heater combination.

Refer to the electrical specification for each model on pages 6 - 7. Install duplex outlets to the studwall underneath the bathtub, at least 4 inches (10,2 cm) above the floor or in accordance with local building or electrical codes. Duplex outlets are not provided. Because these units are manufactured with an electronic control panel no remote switch or timer is necessary.

Tubs with electronic control panels combine the electrical requirements of the pump/motor and electronic controls into a control box. For these units the power supply cord from the pump/motor runs to the control box. The power supply cord from the control box should be connected to the correctly rated amperage GFCI circuit.

Before installing electrical connections, inspect the pump/motor and heater nameplates and confirm you have 120 VAC, 20 AMP and 15 AMP or 230 VAC, 20 AMP service requirements. The GFCI circuits must match these requirements. Care must be taken:

FOR 120 VAC units

Connect the 120 VAC, 20 AMP pump/motor or control box power cord ONLY to the 120 VAC, 20 AMP GFCI circuit

Connect the 120 VAC, 15 AMP heater power cord ONLY to the 120 VAC, 15 AMP GFCI circuit.

FOR 230 VAC units

Connect one 230 VAC, 20 AMP control box power cord controlling one pump/motor and heater set ONLY to one 230 VAC, 20 AMP GFCI circuit.

Connect the second 230 VAC, 20 AMP control box power cord controlling the other pump/motor and heater set ONLY to the other 230 VAC, 20 AMP GFCI circuit.

Do NOT switch power cords and GFCI circuits.

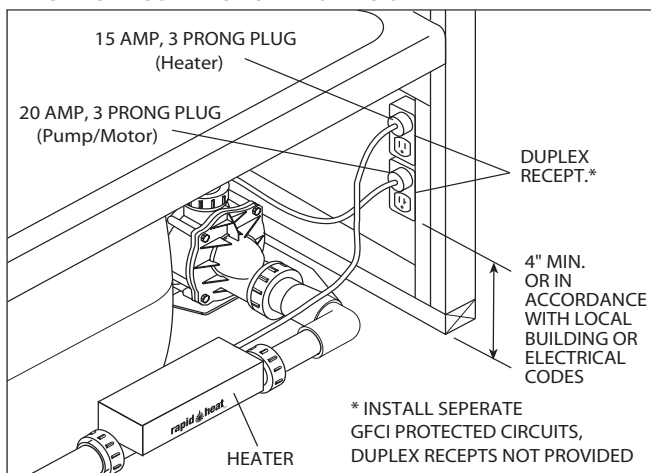
With a #8 solid copper wire (not provided), bond the heater to the house electrical panel or approved local bond. A bonding lug is provided on the heater. With another #8 solid copper wire (not provided), bond the pump/motor to the house electrical panel or approved local bond. A bonding lug is provided on the pump/motor.

At initial start-up and before each use thereafter with power ON, push the GFCI test button on each circuit. The reset button should pop out. Push this button in to reset. If the interrupter fails to operate in this manner, there is a ground current flowing or a device malfunction, indicating the possibility of electrical shock. **Turn OFF power and do not use the bath until the source of the problem has been identified and corrected.**

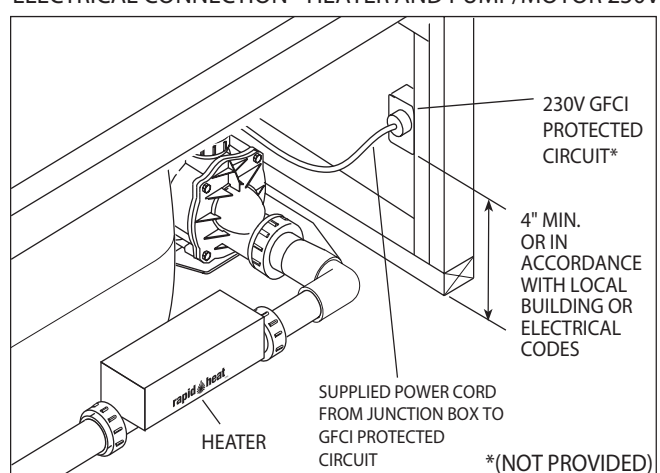
DANGER: RISK OF ELECTRIC SHOCK. Connect only to a circuit protected by a Ground Fault Circuit Interrupter (GFCI).

CAUTION: Operating the motor/pump without enough water in the bath can cause leaking and permanent damage to the pump. Before power is applied to the installation, make sure the switch is in the OFF position to avoid pump damage.

ELECTRICAL CONNECTION 120 VAC ONLY



ELECTRICAL CONNECTION - HEATER AND PUMP/MOTOR 230V



Plumbing and Water Supply

Plumbing

All Jacuzzi Whirlpool Bath products are factory tested for proper operation and watertight connections prior to shipping. If leaks are detected, notify your Jacuzzi Whirlpool Bath dealer. Do not install the unit.

Water Supply

Consult local authorities for plumbing code requirements in your area.

IMPORTANT: Proper installation of the fill spout plumbing and compliance with local codes are the responsibility of the installer. Jacuzzi Whirlpool Bath does not warrant connections of water supply fittings and piping, fill systems, or drain/overflow systems. Nor is it responsible for damage to the bath which occurs during installation.

CAUTION: A nonflammable protective barrier must be placed between soldering work and bath unit to prevent damage to the bath.

Faucet Installation

NOTE: Selecting a faucet for rim mounting: The combined thickness at the rim of the tub shell and the wood trim is 2" (50,8 mm) nominal. The length of the faucet tailpiece(s) must be long enough to extend past this dimension and have ample clearance to assemble any hardware (i.e. locknut, water supply fittings, etc.) necessary for installation. For undermount units, the combined thickness of the tub shell is 1/2" (12, 7 mm) nominal and the undermount deck should not exceed the length of the faucet tailpiece(s) including any assembly hardware.

Anti-Siphon Valve or Equivalent Backflow Preventer

Optional backflow prevention installation. Anti-Siphon valves or Equivalent Backflow Preventers are not supplied with the tub. Consult your local plumbing code requirements for the minimum height above the tub rim.

Clean-Up After Installation

Acrylic Surfaces

To avoid dulling and scratching the acrylic surface of the bath, never use abrasive cleaners. A mild liquid detergent and warm water will clean soiled surfaces.

Remove spilled plaster with a wood or plastic edge. Metal tools will scratch the surface. Spots left by plaster or grout can be removed if lightly rubbed with detergent on a damp cloth or sponge.

CAUTION: Use of chemicals and/or chemical cleaners may be hazardous to your health. Paint, tar, or other difficult surface stains can be removed with paint thinner, turpentine, or isopropyl alcohol (rubbing alcohol). **NOTE:** use these chemicals only on ACRYLIC SURFACE stains.

Minor scratches which do not penetrate the color finish can be removed by lightly sanding with 600-grit wet/dry sandpaper. You can restore the glossy finish to the acrylic surface of the bath with a special compound, Meguiar's #10 Mirror Glaze. If that is not available, use automotive rubbing compound followed by an application of automotive paste wax.

Major scratches and gouges which penetrate the acrylic surface will require refinishing. Ask your Jacuzzi Whirlpool Bath dealer for special instructions or visit our web site at <http://www.jacuzzi.com/>. To find service agent listings for:

- Electrical or Mechanical Repairs visit <http://jacuzzi.com/pdf/ASA.PDF>
- Finish, Surface, or Shell-Related Repairs visit <http://jacuzzi.com/pdf/AFC.PDF>
- Repair Parts or Accessories visit <http://jacuzzi.com/pdf/MPD.PDF>

Wood Surfaces Cleaning

Your teak/wenge wood is dissolved by strong or corrosive cleaners, so always use the mildest cleaner. **NOTE: DO NOT USE HARSH CLEANERS ON WOOD SURFACES.**

CAUTION: Use of chemicals and/or chemical cleaners may be hazardous to your health. A 75/25 mixture of liquid laundry detergent and chlorine bleach may be adequate. Apply this mixture with a stiff brush, scrubbing lightly with the grain. Leave it on the wood for several minutes to give the detergent time to suspend the dirt and the bleach time to lighten the wood, then rinse the wood thoroughly, brushing it to clear the grain. Allow to dry.

Drain Overflow (supplied)

A drain/overflow assembly must be installed on the bath, water tested, and connected to the sanitary system of the house. After opening the carton, inspect for damage or missing parts.

NOTE: The overflow fitting (supplied) of the drain/overflow assembly MUST be installed before the wood frame or (for undermount tubs) the counter is installed.

Overflow Fitting Installation

Remove and open the overflow fitting from the drain kit (supplied). Remove washers and nuts from the overflow fitting.

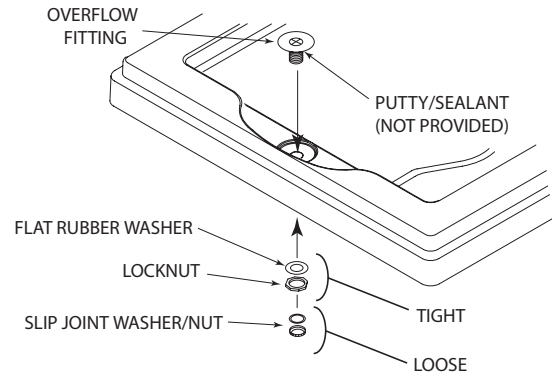
Place a small bead of plumbers putty, silicone, or similar approved sealant around the underside of the top flange. Place the overflow fitting into the overflow hole of the tub.

From the underside of the unit, place the rubber washer then locknut on the fitting and tighten securely. Be careful not to over tighten.

The overflow fitting accepts 1-1/2" (38 mm) slip joint type drain line connections. Assemble in accordance with local plumbing or building codes.

After the drain is fully installed, test for proper drainage. If the unit does not drain properly, rectify this condition before proceeding with the installation. Jacuzzi Whirlpool Bath is not responsible for removal and or reinstallation costs.

NOTE: Watertight installation of the drain is the installer's responsibility. Drain leakage is excluded from the Jacuzzi Whirlpool Bath warranty of this product.



WOOD FINISH

Finishes

Wood frames are factory finished with a clear satin spar varnish. Periodic maintenance for the spar varnish is required. Clean wood frame with mild household detergent. **NOTE: Do not use harsh chemicals or cleaners.**



CAUTION: Use of chemicals and/or chemical cleaners may be hazardous to your health.

Repairs to damaged finish should be made by a qualified wood refinisher, contact a professional furniture refinisher.

OPERATING INSTRUCTIONS

OPERATION

NOTE: These instructions pertain to all bath products manufactured by Jacuzzi Whirlpool Bath. Not all features discussed in this instruction pamphlet apply to all baths.

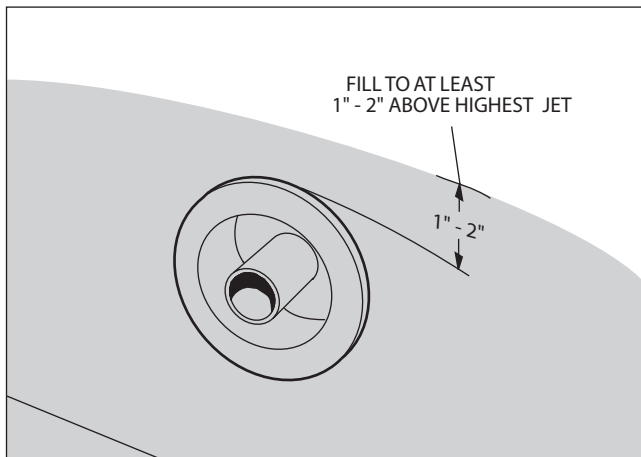
All baths manufactured by Jacuzzi Whirlpool Bath are designed for "fill and drain," which means the bath should be drained after each use and filled with fresh water by the next bather. This is a health precaution, as these baths are not designed to hold water continuously like pools or spas. If you want a unit designed to continuously hold water, see your Jacuzzi Whirlpool Bath dealer for the complete line of whirlpool spas available.

Once the bath is installed, remove any residue or foreign materials left over from construction. Paint, tar, or other difficult surface stains can be removed with paint thinner, turpentine, or isopropyl alcohol (rubbing alcohol). **NOTE: Use these chemicals only on SURFACE stains.** Other dirt can be cleaned off with a mild liquid detergent on a damp cloth. Scrape off plaster with a wooden or plastic edge; **do not use metal scrapers, wire brushes or other metal tools, as they will damage the bath's surface.**

Water Level

Close the drain and fill the bath until water is at least 1" to 2" (2,5 - 5,08 cm) above the highest jet (see water line indicated in the illustration). **Do not turn on the whirlpool system at any time if the jets are not completely immersed in water. Do not immerse the control panel by overflowing the bath.** Running the whirlpool system when there is insufficient water in the bath could result in water spraying outside the bath area. Running the whirlpool system without water will damage the recirculating pump.

IMPORTANT: When exiting the bath, the water level will drop below the jets which could result in water being sprayed out of the unit. To prevent this, **you must turn unit off before exiting bath.**



Controlling Whirlpool Action

The whirlpool action in your bath is influenced by three factors – direction of flow, force of water, and force of air. All baths manufactured by Jacuzzi Whirlpool Bath are equipped with fully adjustable PowerPro® jets, which are adjustable for all three factors. Some baths have additional directionally adjustable jets which can be adjusted for direction and flow of air only.

Direction: To change the direction of the water flow, swivel the jet nozzle to the desired angle. The jets can be directed individually toward any location on your body to provide a hydromassage. The jets can also be adjusted so that they all point in the same direction (clockwise or counterclockwise) to circulate the water in a circular motion around the bath, causing a total whirlpool effect.

Water Force: The high volume, fully adjustable jets can be adjusted to control the force of the water coming into the bath. For robust action, increase the force of the flow by rotating the jet handles to the left (counterclockwise). For a more gentle effect, rotate the handles to the right (clockwise). Customize water force by lowering water volume of one (1) jet(s) to increase water force in another jet(s). **Never run the whirlpool system with all the jets closed.**

Force of Air: The intensity of the hydromassage whirlpool action is determined by the amount of air inducted into the water. As the amount of air is increased, the hydromassage action increases. For maximum air induction, increase the amount of air using the **Air Flow Increase** buttons on the control panel. For fewer air bubbles, decrease the amount of air using the **Air Flow Decrease** buttons on the control panel. When the knobs are turned to the smallest circles, only water is being circulated.

OPERATING INSTRUCTIONS (cont'd)

Electronic Control Panel Operation (with optional Chromotherapy/Illumatherapy™ lighting)

All tubs in this product line come with electronic controls and standard Chromotherapy or Illumatherapy™. Read and follow the operation instructions for the control system of your unit.

General Functions


This Jacuzzi tub is equipped with a seven button electronic control panel. The seven button panel controls a two speed pump/motor, Chromotherapy or Illumatherapy™ lighting, air controls, and wave control. LED lights (in the control panel) indicate function levels. When switching between functions, the LED for the inactive functions will dim and the active function will brighten.

The bath is equipped with a water level sensor(s). When the water level is **below** the sensor, the pump/motor can **not** be activated. If the ON/OFF pump/motor button is pressed at this time, the pump/motor will not operate. When the water goes above the water level sensor, the pump/motor can be activated. If the water level drops below the level sensor, the pump/motor will shut **OFF**. To restart the pump/motor after the water level goes above the level sensor, the ON/OFF pump/motor button must be pressed. The pump/motor will automatically shut off 30 minutes after the pump/motor was turned on.


NOTE: Ensure the water level sensor located inside the bath is free of any soap or dirt buildup.

Normal Operation (with the bath filled to the proper level)


Pump/Motor Switch (ON/OFF)

Pressing the  button will turn ON the two speed pump/motor at HIGH speed. Pressing a second time will turn OFF the pump/motor. To change speeds use the Toggle buttons.


Pump/Motor Status LED

 When the pump/motor is ON at HIGH speed all four LED indicator lights will be lit. When the pump/motor is ON at LOW speed the bottom LED indicator light will be lit.


Left Air Valve Switch

Pressing this  button will activate the left air valves use the Toggle buttons to increase/decrease air flow to the left set of jets. The air flow can be adjusted from no air to maximum air.


Left Air Valve Status LED

 The Left Air Valve Status LED will show four LED lights at maximum air and only one LED light when the air is turned OFF. Each additional LED indicates more air flow.


Right Air Valve Switch

Pressing this  button will activate the right air valves. Use the Toggle buttons to increase/decrease air flow to the right set of jets. The air flow can be adjusted from no air to maximum air.

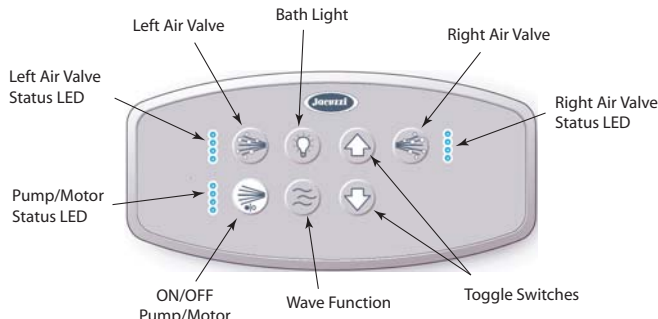
Right Air Valve Status LED

 The Right Air Valve Status LED will show four LED lights at maximum air and only one LED light when the air is turned OFF. Each additional LED indicates more air flow.


Bath Light Switch (ON/OFF)

Pressing this  button will turn ON the white bath light(s). Pressing the Toggle buttons at this time will increase or decrease light intensity. Pressing the button a second time will access the saved favorite color. To cycle lighting colors use the Toggle button. Pressing the Toggle button again will stop the light cycling. The color displayed when the cycle has been stopped will be saved as your favorite color. Pressing the button a third time to turn OFF the light.



NOTE: When switching between functions, the LED for the inactive functions will dim and the active function will brighten.



Wave Function Switch (ON/OFF)

Pressing this  button activates wave action by opening and closing both right and left air valves. Pressing a second time will turn OFF the wave action.

Toggle Buttons

The Toggle buttons, up  and down , act on each of the other buttons to increase, decrease, or modify functionality. Use the up arrow to increase and the down arrow to decrease.

- Pressing a toggle button after pressing the Pump/Motor button will increase or decrease speeds on the Pump/Motor. If the pump/motor is on HIGH speed press the down arrow to select LOW speed. If the pump/motor is on LOW speed press the up arrow to select HIGH speed.
- Pressing an up or down toggle button after pressing the Bath Light button once will increase or decrease the white light brightness. Pressing an up or down toggle button after pressing the Bath Light button twice will begin cycling the light colors. Leave the colors cycling or press the same toggle button again to stop the color cycling. With the lights stopped on a color pressing the Bath Light button a third time will turn OFF the light. (A favorite color will be saved ONLY when the cycling has been stopped on that color and then turned OFF.)

OPERATING INSTRUCTIONS (cont'd)

ENGLISH

RapidHeat™

Operation

Once the heater is installed and the whirlpool pump is operating, the heating function is totally automatic. The heater will help maintain the temperature of the water in the bath.

Vacuum/Pressure Switch

The heater is equipped with a preset vacuum/pressure switch which will not allow the heater to turn ON if the pump is not running with water flowing through the whirlpool system.

High-Limit Switch

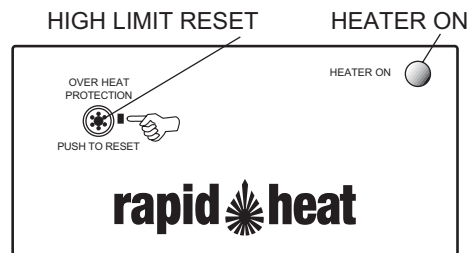
The heater includes an exclusive High-Limit switch. This safety circuit will not false trip from hot tap water. It will only turn off the heater if the thermostat fails. To reset, press the button. If the high-limit trips frequently, contact your Authorized Electrical/Mechanical Service Provider. Visit our web site at <http://www.jacuzzi.com/>.

To find service agent listings for:

Electrical or Mechanical Repairs visit <http://jacuzzi.com/pdf/ASA.PDF>

Finish, Surface, or Shell-Related Repairs visit <http://jacuzzi.com/pdf/AFC.PDF>

Repair Parts or Accessories visit <http://jacuzzi.com/pdf/MPD.PDF>



MAINTENANCE INSTRUCTIONS

Cleaning the Bath

To clean your bath, simply use a mild, nonabrasive liquid detergent solution on the acrylic surfaces. To clean the wood surfaces, follow the wood finish manufacturer's maintenance and cleaning instructions.

You can protect and restore the gloss to a dulled acrylic surface by applying Meguiar's #10 Mirror Glaze, a product specifically designed for use on acrylic finishes. If Meguiar's is not available, an acrylic polish of equal quality or automotive paste wax is acceptable.

Never use abrasive household cleaners on any Jacuzzi Whirlpool Bath product.

Repairs to the Surface

Minor scratches which do not penetrate the acrylic color finish can be removed by lightly sanding with 600-grit wet/dry sandpaper. Restore the gloss using Meguiar's Mirror Glaze or automotive paste wax.

Major scratches and gouges which penetrate the acrylic surface will require refinishing. Ask your Jacuzzi Whirlpool Bath dealer for special instructions.

Minor scratches which do not penetrate the wood finish can be repaired using the manufacturer's recommendations.

Major scratches and gouges which penetrate the wood surface will require refinishing.

Purging the Whirlpool System

NOTE: THE WHIRLPOOL SYSTEM SHOULD BE PURGED AT LEAST TWICE A MONTH

To remove accumulations of bath residue from the whirlpool system, it is recommended that a whirlpool bath be purged at least twice a month. For best results, however, we recommend that you purge your whirlpool bath after each use using our exclusive two-part plumbing system cleaner made specifically for whirlpool baths. Systems Clean™ is available through an authorized Jacuzzi Whirlpool Bath Distributor or by calling us direct at 1-800-288-4002. Instructions for use: Immediately after bathing and exiting the whirlpool bath, leave the bath water in the tub and add hot water, if necessary, so the water is at least 1" to 2" (25,4 mm to 50,8 mm) above the highest jet. Turn on the unit without the aerator. Pour the contents of the Systems Clean Packet 1 (taking care not to get the material on yourself) into the bath near the intake for the circulation pump. Repeat same process with Systems Clean Packet 2. **It is important to use Packet 1 before Packet 2 to avoid a strong odor.** Run the bath for 5 to 10 minutes. Drain completely and rinse any residue.

If you have followed the standard purging instructions above and still have an excess accumulation of bath residue and desire an alternative cleaning mechanism, we recommend **SUPER SYSTEMS CLEAN PLUS** manufactured by Stearns Packaging to rectify this condition. This may be obtained by contacting us at 1-800-288-4002. It is recommended that you follow the instructions provided by the manufacturer with the product. Repeated use may be necessary. **SUPER SYSTEMS CLEAN PLUS** does not replace the necessity to regularly purge your whirlpool system with Systems Clean as recommended.

Bath Additives

NOTE: DO NOT USE OIL OR OIL BASED BATH ADDITIVES.

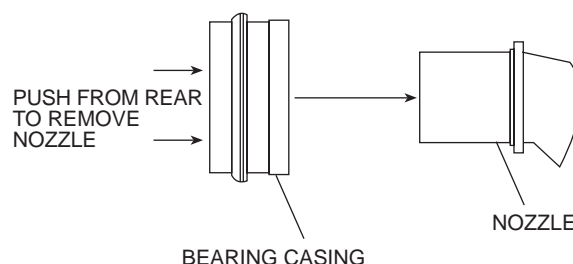
If you want to use any kind of bath additive, use only a small amount of low-foaming powder or crystal substance; the whirlpool action intensifies the foaming properties of soaps.

The use of certain bath oils, bubble baths and bath additives may increase the level of accumulations of bath residue in the whirlpool system. If excess accumulations persist, you should discontinue use of these products.

Spinning Jets Maintenance

(Models equipped with spinning jets)

If hair or other kind of debris gets caught in the bearings of these jets, it could cause them to stop spinning. This may require disassembly and cleaning. To do this, simply grab the nozzle and pull straight out of the jet housing. The bearing casing will be attached to the nozzle. These can be separated by holding the casing and pushing the nozzle out from the rear of the casing. After cleaning, reassemble in reverse.



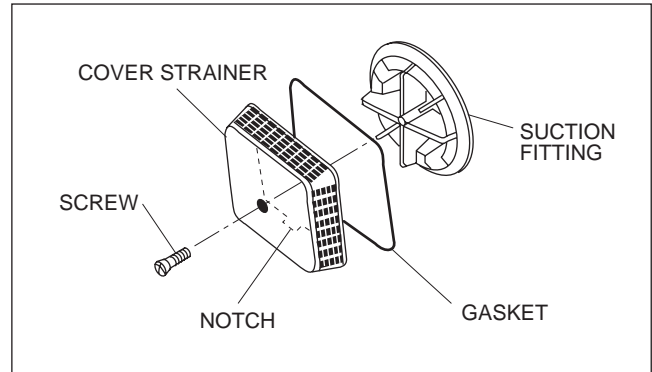
MAINTENANCE INSTRUCTIONS

Suction Cover/Strainer Maintenance

Clean the suction cover/strainer of hair and debris when necessary. To do this, remove the center screw and detach the square cover. Clean the cover by backflushing debris from the holes. Replace the suction cover immediately after cleaning. When reinstalling, orient the cover/strainer with the small notch at the bottom. The gasket must be inserted into the groove of the cover/strainer before reinstalling onto the suction fitting.

CAUTION: Keep hair a minimum of 6 inches (15,2 cm) away from the suction fitting at all times when the whirlpool system is operating. Hair longer than shoulder length should be secured close to the head, or a bathing cap should be worn. Do not operate the whirlpool system with the suction cover removed! It is a safety device and must always be in place on the suction fitting to minimize the potential hazard of hair and body entrapment.

SUCTION COVER/STRAINER ASSEMBLY

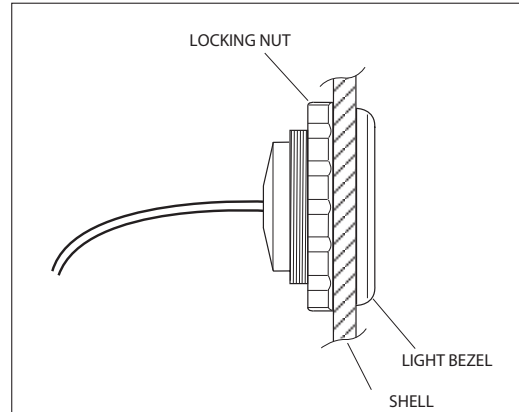


Chromotherapy Lighting

If your unit has Chromotherapy (LED) lighting and the lights fail to function contact your Jacuzzi Whirlpool Bath dealer. There are no customer serviceable components on the Chromotherapy lighting.

Replacement fixtures are available from your Jacuzzi Whirlpool Bath dealer.

LED LIGHT ASSEMBLY

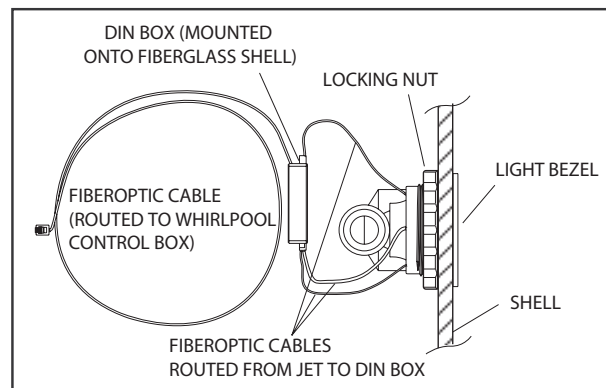


Illumatherapy™ Lighting

If your unit has Illumatherapy™ (fiberoptic) lighting and the lights fail to function contact your Jacuzzi Whirlpool Bath dealer. There are no customer serviceable components on the Illumatherapy lighting.

Replacement fixtures are available from your Jacuzzi Whirlpool Bath dealer.

JET WITH FIBEROPTIC LIGHTS



General Whirlpool Bath Troubleshooting Guide

ENGLISH

PROBLEM	PROBABLE CAUSES	REMEDY
Pump/Motor does not start.	No power to pump/motor.	Reset GFCI.
	Pump/motor not plugged in.	Insert plug fully into outlet.
	Pump/motor faulty.	Replace pump/motor assembly.
	Electronic Control Panel and/or Control Box defective.	Electronic Control Panel/Control Box wiring disconnected. Check all wiring and ensure all devices are properly connected. Replace Control Panel and/or Control Box.
Pump/Motor operates but no fully adjustable jets are functioning.	Jets are closed.	Open jets by rotate counterclockwise.
	Suction cover may be clogged.	With motor turned off, remove safety cover and remove any debris. Replace suction cover before operating.
Pump/Motor operates but air is not injected into water.	Air valves closed.	Check all wiring and ensure all devices are properly connected. Replace air valve(s).
	Electronic Control Panel and/or Control Box defective.	Electronic Control Panel/Control Box wiring disconnected. Check all wiring and ensure all devices are properly connected. Replace Control Panel and/or Control Box.
Pump/motor does not shutoff.	Electronic Control Panel and/or Control Box defective.	Check all wiring and ensure all devices are properly connected. Replace Control Panel and/or Control Box.
	If a wall timer is used, the timer is defective	Replace timer.
Water leakage from pump unions.	Overtightened, O-ring may be pinched or improperly seated, under tightened.	Untighten unions check and reseal O-ring. Lightly coat the O-Rings with baby-oil or mineral oil. If O-ring has been pinched out of shape, replace (refer to number below). When tightening union nuts, hand tighten only.
Pump/motor shuts off by itself or with wall timer, before set time elapses.	Motor thermal protection has deactivated pump/motor due to overheating. (Supply voltage low.)	Let motor cool; thermal protection will reset. Check for proper ventilation. (Check supply voltage.)
	GFCI tripped.	Reset GFCI. If it continues to trip do not use this unit. Disconnect the unit and have the problem corrected by a licensed electrician before using.
	Inadequate supply wiring.	Consult a licensed electrician to correct wiring to unit.

NOTE: If unit is within the warranty period, contact Jacuzzi Whirlpool Bath Service Support at 1 - (800) 288-4002 with bath's serial number before work is started. The Serial Number is located on the Specification/Serial Number Plate. See page 24.

AUTHORIZED SERVICE

ENGLISH

If you need a referral for a service company near you, or need assistance with operation or maintenance related questions, please call our Service Support Department at 1-800-288-4002. Visit our web site at <http://www.jacuzzi.com/> for products and services.

To find service agent listings for:

Electrical or Mechanical Repairs visit <http://jacuzzi.com/pdf/ASA.PDF>

Finish, Surface, or Shell-Related Repairs visit <http://jacuzzi.com/pdf/AFC.PDF>

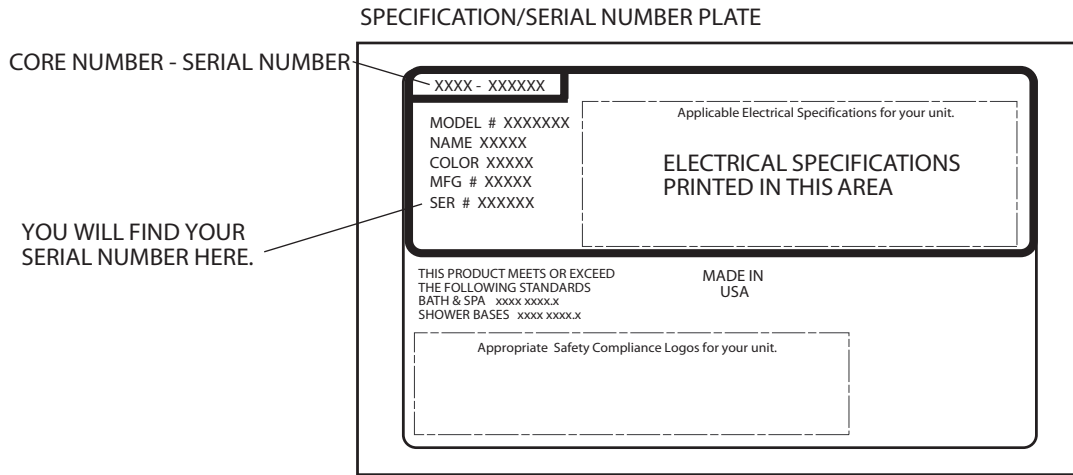
Repair Parts or Accessories visit <http://jacuzzi.com/pdf/MPD.PDF>

When requesting service or technical assistance please have available both the model and serial number of your unit. This information can be obtained from the product registration card provided with your unit. If the card has been misplaced, this information can be obtained from the specification/serial number label on the unit itself (for location of specification/serial number label see below).

BATH PRODUCTS

Whirlpool baths: The label is located on the wall of the bath near the pump/motor.


Non-jetted baths: The label is located next to the overflow.



**PRODUCT SPECIFICATIONS ARE SUBJECT TO CHANGE WITHOUT NOTICE.
USE INSTALLATION INSTRUCTIONS SUPPLIED WITH PRODUCT.**

Jacuzzi Whirlpool Bath has obtained applicable code (standards) listings generally available on a national basis for products of this type. It is the responsibility of the installer/owner to determine specific local code compliance prior to installation of the product. Jacuzzi Whirlpool Bath makes no representation or warranty regarding, and will not be responsible for any code compliance.

Jacuzzi Whirlpool Bath
14801 Quorum Dr., Suite 400, Dallas, TX 75254
Service Support: (800) 288-4002

 Printed on Recycled Paper

Printed in the U.S.A.

Jacuzzi Whirlpool Bath Limited Warranty Fuzion Series Bath Product

WARRANTY COVERAGE

Jacuzzi Whirlpool Bath (the "Company") offers the following express limited warranty to the original purchaser of any Jacuzzi Whirlpool Bath Designer Collection Bath Product ("unit") who purchases the product for personal or single family use ("user"). The Company will repair or replace, at its option, the unit or its equipment in accordance with the following terms and conditions.

TWO YEAR LIMITED WARRANTY ON BATHS

Our limited warranty on Designer Collection Bath products is for two (2) years. Our warranty covers the unit and factory-installed components (e.g., pump, motor) against defects in material or workmanship. Warranty coverage begins on the date the unit was originally purchased by the user.

FIVE YEAR (PARTS ONLY) LIMITED WARRANTY ON PUMP AND MOTOR

Our limited warranty on the pump and motor is for five (5) years for parts only. Warranty coverage begins on the date the unit was originally purchased by the user.

NINETY DAY (PARTS ONLY) LIMITED WARRANTY ON OPTIONS AND ACCESSORIES

Our limited warranty on options and accessories manufactured by the Company is for ninety (90) days for parts only. Our warranty covers options and accessories manufactured by the Company (e.g., fill spout kits, trim kits, skirts) against defects in materials or workmanship. Warranty coverage begins on the date the option or accessory was originally purchased by the user.

WARRANTY LIMITATIONS

Our limited warranty does not cover defects, damage, or failure caused by the common carrier, installer, user, or other person, or resulting from, without limitation, any of the following: careless handling (lifting unit by plumbing, abrading finish, etc.); modification of any type for any reason (including modification to meet local codes); improper installation (including installation not in accordance with instructions and specifications provided with the unit); connections supplied by the installer of the equipment; improper voltage supply or unauthorized electrical modification; misuse; incorrect operation, or lack of proper routine maintenance; operation of the unit without specified minimum amount of water or at inappropriate water temperature; use of abrasive or improper cleaners; or acts of God, such as lightning, floods, earthquakes, etc.

In addition, THE COMPANY WILL NOT BE RESPONSIBLE FOR INCIDENTAL OR CONSEQUENTIAL DAMAGES or losses arising from any cause (e.g., water damage to carpet, ceiling, loss of use, etc.) including its own negligence; damages to, respecting, or resulting from: plated parts when pool and/or spa chemicals are used in the unit; optional bath equipment not manufactured by the Company but supplied by Dealer, installer or the Company; the unit's prior usage as an operational display; or defects that should have been discovered before installation. This limited warranty does not include: labor, transportation, or other costs incurred in the removal and/or reinstallation of the original unit and/or installation of a replacement unit; any costs relating to obtaining access for repair; or loss of use damage, including loss of sales, profit or business advantage of any kind under any circumstances. Bath units are excluded from any warranty coverage if any addition, deletion, or modification of any kind whatsoever has been made to the unit (or to any component).

Warranty coverage is provided in the United States of America and Canada.

EXCLUSION OF IMPLIED WARRANTIES

IMPLIED WARRANTIES OF MERCHANTABILITY AND FITNESS FOR A PARTICULAR PURPOSE ARE DISCLAIMED ALTOGETHER OR TO THE FULL EXTENT ALLOWED BY LAW.

NOTICE: This warranty gives you specific legal rights, and you may also have other rights which vary from state to state. There are no warranties applicable to Jacuzzi Whirlpool Bath products except as expressly stated herein or as implied by applicable state and federal laws. The Company will not be responsible for any statements or representations made in any form that go beyond, are broader than or are inconsistent with any authorized literature or specifications furnished by the Company.

Some states do not allow limitations on how long an implied warranty lasts, or the exclusion or limitation of incidental or consequential damages, so the above limitations and exclusions may not apply to you.

RETURN OF WARRANTY CARD

The attached Warranty Registration Card MUST be filled out by the purchaser within thirty (30) days from purchase and mailed to Jacuzzi Whirlpool Bath in order for this warranty to become effective.



Jacuzzi Whirlpool Bath
14801 Quorum Dr., Suite 400
Dallas, TX 75254

RESPONSIBILITIES OF OTHERS

Inspecting the unit prior to installation is the responsibility of the installer or building contractor who acts on behalf of the user. They are responsible for ensuring the unit is free of defect or damage. Notices are placed on and in the unit and on the shipping carton advising the installer of this responsibility. In the event of a problem, the unit must not be installed. The Company is not responsible for failures or damage that could have been discovered, repaired, or avoided by proper inspection and testing prior to installation.

Damage occurring in transit is the responsibility of the carrier. The user or installer MUST open the crate and inspect the unit for damage when it is delivered. If damage is discovered, it must be reported immediately to the seller and the carrier in writing, and an inspection requested. Failure of the carrier to respond should be reported to the seller and the carrier. Your freight claims should be filed promptly thereafter.

It is the responsibility of the installer, building contractor, or user to provide access for service. The Company is not responsible for any costs relating to obtaining access for repair. The user shall bear such costs and, if appropriate, must seek recovery from the installer.

Damage occurring to the unit during installation is the responsibility of the installer and/or building contractor and damage occurring thereafter is the responsibility of the user.

Failure of any optional equipment is the sole responsibility of the equipment manufacturer. (Options and accessories manufactured by the Company are warranted for ninety (90) days from the original date of purchase for parts only.)

The Distributor or Dealer is responsible for knowing local code requirements and notifying the installing contractor and/or user of these requirements at the time of purchase. The Company is not responsible for costs to modify any product to obtain any code approval, such as city, county, or state building codes in U.S.A. or municipal or provincial codes in Canada.

WARRANTY SERVICE

For the customer's benefit, the Company maintains a list of independent service personnel to perform required warranty service repairs. Such firms are not agents or representatives of the Company and cannot bind the Company by words or conduct.

The Company will provide the warranty service described above when the following conditions have been met: the failure is of the nature or type covered by the warranty; the user has informed an Authorized Jacuzzi Whirlpool Bath Service Agent or Warranty Service Department Representative of the nature of the problem during the warranty period; conclusive evidence (e.g., proof of purchase or installation) is provided to the foregoing by the user proving that the failure occurred or was discovered within the warranty period; an authorized independent service person or Company representative has been permitted to inspect the unit during regular business hours within a reasonable time after the problem was reported by the user.

In order to obtain warranty service, consult your local telephone book for the location of the nearest Jacuzzi Whirlpool Bath Authorized Service Agent. Describe the problem and the Authorized Service Agent will inspect the unit and provide the required warranty service.

If you are unable to contact a Jacuzzi Whirlpool Bath Authorized Service Agent, call or write:

Jacuzzi Whirlpool Bath
Warranty Service Department
14801 Quorum Dr., Suite 400
Dallas, TX 75254
Call: (800) 288-4002

To obtain warranty replacement for factory-installed components for Company supplied options and accessories manufactured and supplied by the Company, call or write the above. Provide a description of the problem and proof of purchase. You will be instructed how to obtain replacements and where to return, at your expense, the failed component(s), option(s), or accessory(ies).

All replacement parts, equipment, and repairs shall assume the remaining warranty period of the part(s) replaced.

The Company's warranty obligation shall be discharged upon tender of replacement or repair. The customer's refusal to accept the tender terminates the Company's warranty obligation.

©2005 Jacuzzi Whirlpool Bath DE99000A 3/06

Ninety-Day
Parts Only
Limited Warranty
On
Accessory(ies)

Ninety-Day
Parts Only
Limited Warranty
On
Accessory(ies)



Warranty Registration Card

This card must be filled out and returned to the address printed on the other side within thirty (30) days from date of purchase in order for this warranty to be come effective.

Purchaser's Name _____
 Purchaser's Address _____
 City _____ State _____ ZIP _____
 Date of Purchase _____
 Model Name _____
 Serial Number _____
 Dealer's Name _____
 Dealer's Address _____

1. How did you first hear about this Jacuzzi® product?
 Advertisement Article in Magazine/Newspaper
 Visited Dealer/Plumbing Supplier Yellow Pages
 Builder/Plumber/Remodeler Decorator/Architect
 Visited Retailer/Home Center Store
 Word of Mouth . . . Friend/Relative/Acquaintance
 Other (Please Describe) _____

2. Who first gave you specific information about this product (specifications, prices, etc.)?
 Dealer/Plumbing Supplier Builder Remodeler
 Plumbing Contractor Retailer/Home Center Store
 Decorator/Architect Already Installed
 What was the main reason for purchase?
 Styling Warranty Service Product Features
 Brand Name Price Hydrotherapy
 Home Resale
 Other _____

4. Who finally decided which product you would buy?
 Self Spouse Self and Spouse Together
 Other Family Member Designer/Architect
 Builder/Plumber/Remodeler Already Installed
 Who installed? Already installed/New Home
 Contractor/Plumber when remodeling
 Self/Spouse when remodeling
 Other _____

6. What is the current market value of this property?
 Please estimate \$ _____

7. What is the age of the head of the household? _____ years

8. What other manufacturers did you consider?
 Eiler Lasco Price Pfister Aqua Glass
 Kohler American Standard Sterling
 Other (Specify) _____

9. How long did you shop before purchasing unit?
 1 day 2 months- 6 months
 2-7 days 6 months- 1 year
 1 week- 2 weeks 1 year- 2 years
 2 weeks- 4 weeks +2 years
 1 month- 2 months

10. Approximately how long have you lived in this home?
 Please indicate, approximately, the total annual income of your household.
 Up to \$24,999 \$50,000 to \$74,999
 \$25,000 to \$29,999 \$75,000 to \$99,999
 \$30,000 to \$39,999 \$100,000 to \$149,999
 \$40,000 to \$49,999 \$150,000 and Above

12. Was your purchase process?
 Very easy Easy Difficult Very Difficult
 How technically aware were you of the patented Jacuzzi® jet system prior to your purchase?
 Not aware Somewhat aware Very aware