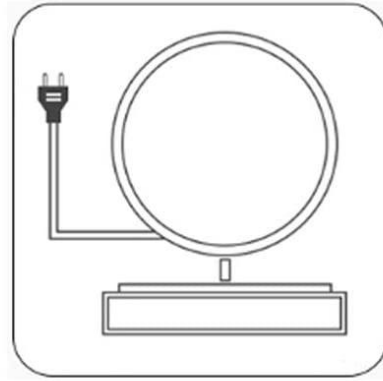
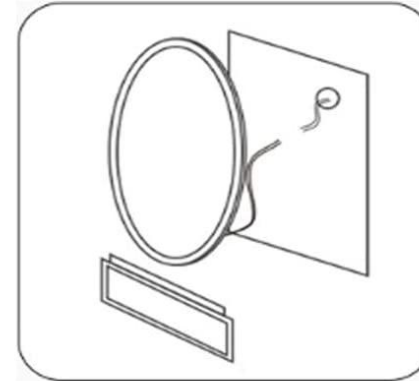


Mirror Plug-in Instructions

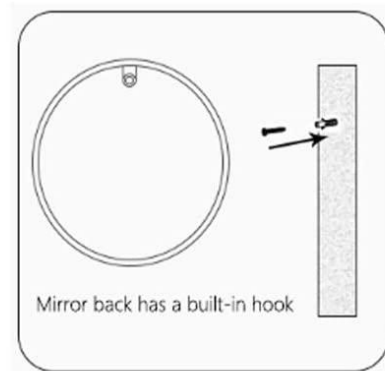


1. Plug in the power into the nearest socket.

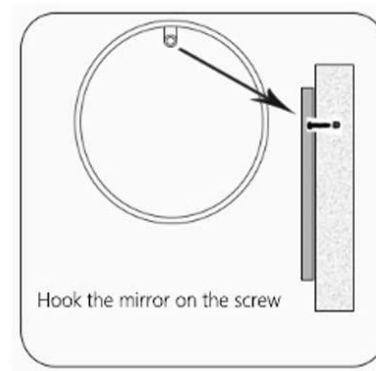


2. Or, cut off the plug and connect the power cord with a pre-wired cable. Hidden behind the mirror to look neat.

Mounting Instructions



Mirror back has a built-in hook



Hook the mirror on the screw

Drill a hole on the wall, put in an expansion bolt anchor and screw in the nut. Then hang the mirror on it.