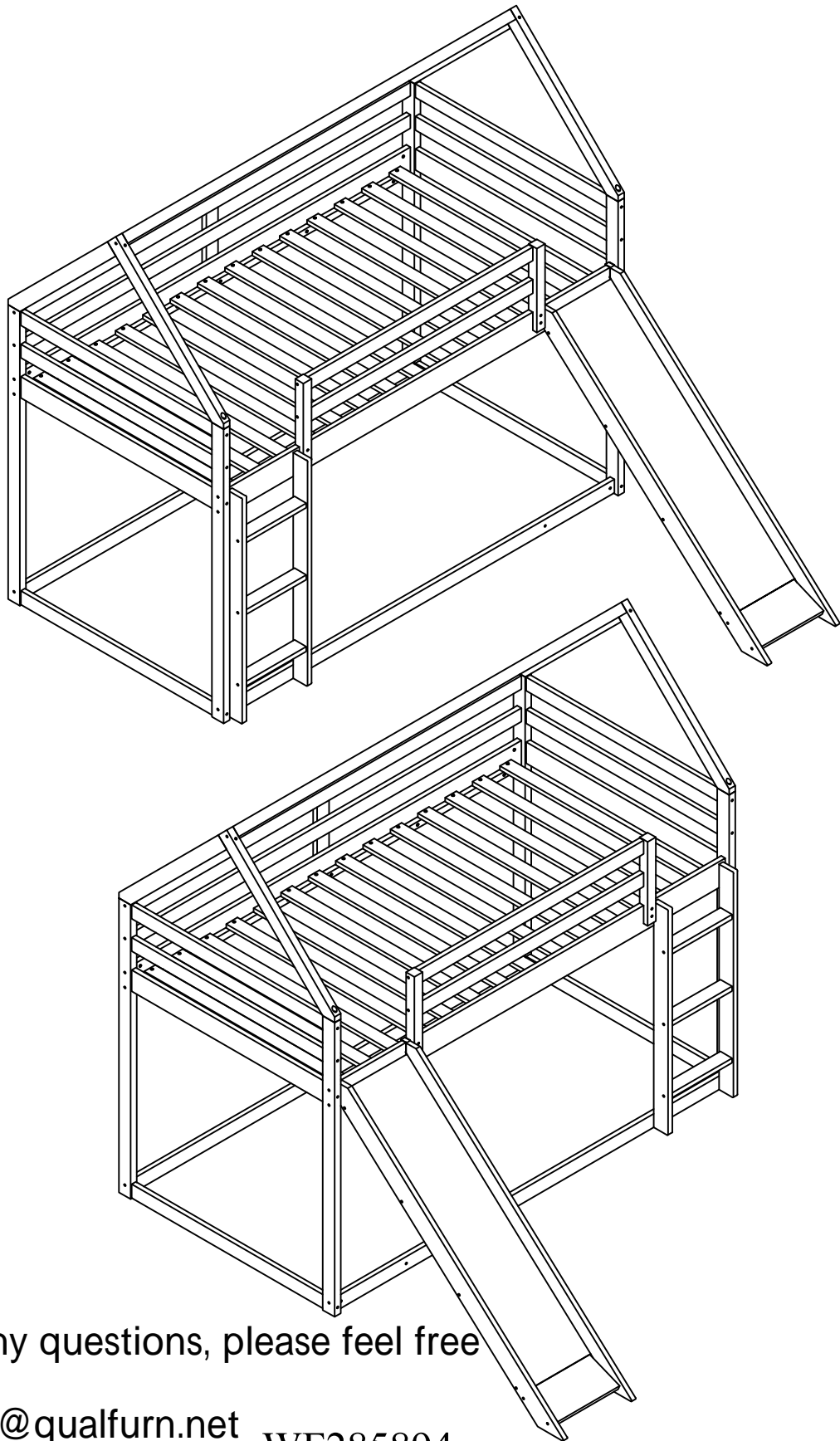


ASSEMBLY INSTRUCTIONS

T/T HOUSE BUNK BED WITH SLIDE BRIDGE



If you have any questions, please feel free to contact us.

Email: service@qualfurn.net

WF285894

ASSEMBLY INSTRUCTIONS



SAFETY WARNINGS



1. This bed is designed for use only mattress (es) meeting the following specifications on the upper bunk, and lower bunk:

Upper bunk (bunk bed and tribed included)

Bed Type	Length	Width	Thickness
Twin Standard	74" - 75"	37 $\frac{1}{2}$ " - 38 $\frac{1}{2}$ "	6" max

2. Replacement parts, including additional guardrails, maybe obtained from any of our (GIGACLOUD TECHNOLOGY (USA) INC. 18961 ARENTH AVENUE CITY OF INDUSTRY, CA, 91748) dealers
3. Follow the information on the warnings appearing on the upper bunk bed end structure and on the carton. Do not remove warning label from bed.
4. Always use the recommended size mattresses or mattress supports, or both, to help prevent the likelihood of entrapment or falls.
5. Surface of mattress must be at least 5" (127mm) below the upper edge of guardrails.
6. Do not allow children under 6 years of age to use the upper bunk.
7. Periodically check and ensure that the guardrail, ladder, and other components are in their proper position, free from damage, and that all connectors are tight.
8. Do not allow horseplay on or under the bed and prohibit jumping on the bed.
9. Always use the ladder for entering and leaving the upper bunk.
10. Do not use substitute part. Contact the manufacture or dealer for replacement part.
11. Use of a night light may provide added safety precaution for a child using the upper bunk.
12. Always use guardrails on both long sides of the upper bunk. If the bunk bed will be placed next to the wall, the guardrail that runs the full length of the bed should be placed against the wall to prevent entrapment between the bed and wall.
13. The use of water or sleep flotation mattresses is prohibited.
14. **STRANGULATION HAZARD** - Never attach or hang items to any part of the bunk bed that are not designed for use with the bed; for example, but not limited to, hook, belts and jump ropes.
15. Keep these instruction for future reference.
16. Prohibit more than one person on upper bunk
17. We recommend assembling your bunk bed on the shipping carton to protect your floor or carpet.
18. Be certain all staples are out of the box before beginning assembly on the shipping carton.

ASSEMBLY INSTRUCTIONS

1. At the beginning :

Tighten all hardware.

Check metal parts for rust. If found, sand and repaint using a non-lead-based paint meeting the requirements of 16 CFR 1303.

Check all wood members for deterioration and splinters. Sand down splinters and replace deteriorating wood members.

Rake and check depth of loose fill protective surfacing materials to prevent compaction and to maintain appropriate depth. Replace as necessary.

2. Twice a month

Tighten all hardware.

Rake and check depth of loose fill protective surfacing materials to prevent compaction and to maintain appropriate depth. Replace as necessary.

3. Owners shall be responsible for maintaining the legibility of the warning labels.

4. Disposal Instructions-

There shall be instructions advising the owner to disassemble and dispose of the playground equipment in such a way that no unreasonable hazards will exist at the time the playground equipment is discarded.

5. The instructions shall also include the information found in Section 4 of the United States Consumer Product Safety Commission's (USCPSC) Outdoor Home Playground Safety Handbook or specific surfacing guidelines for the product consistent with the USCPSC Handbook. A copy of this section may be found in Appendix X2.

6. Observing the following statements and warnings reduces the likelihood of serious or fatal injury.

7. Specifying the number and weight of occupants that may safely use the equipment singly or simultaneously,

8. Recommending on-site adult supervision for children of all ages,

9. Warning the owner to instruct children not to use the equipment in a manner other than intended,

10. Warning the owner to instruct children not to get off equipment while it is in motion,

11. Warning the owner not to allow children to wear inappropriate items, such as but not limited to, loose fitting clothing, hood and neck drawstrings, scarves, cord-connected items, capes and ponchos. These items can cause death by strangulation.

12. Warning the owner to instruct children not to climb when the equipment is wet.

13. Warning the owner to instruct children not to attach items to the playground equipment that are not specifically designed for use with the equipment, such as, but not limited to, jump ropes, clothesline, pet leashes, cables and chain as they may cause a strangulation hazard

14. Warning the owner to instruct children to remove their bike or other sports helmet before playing on the playground equipment.

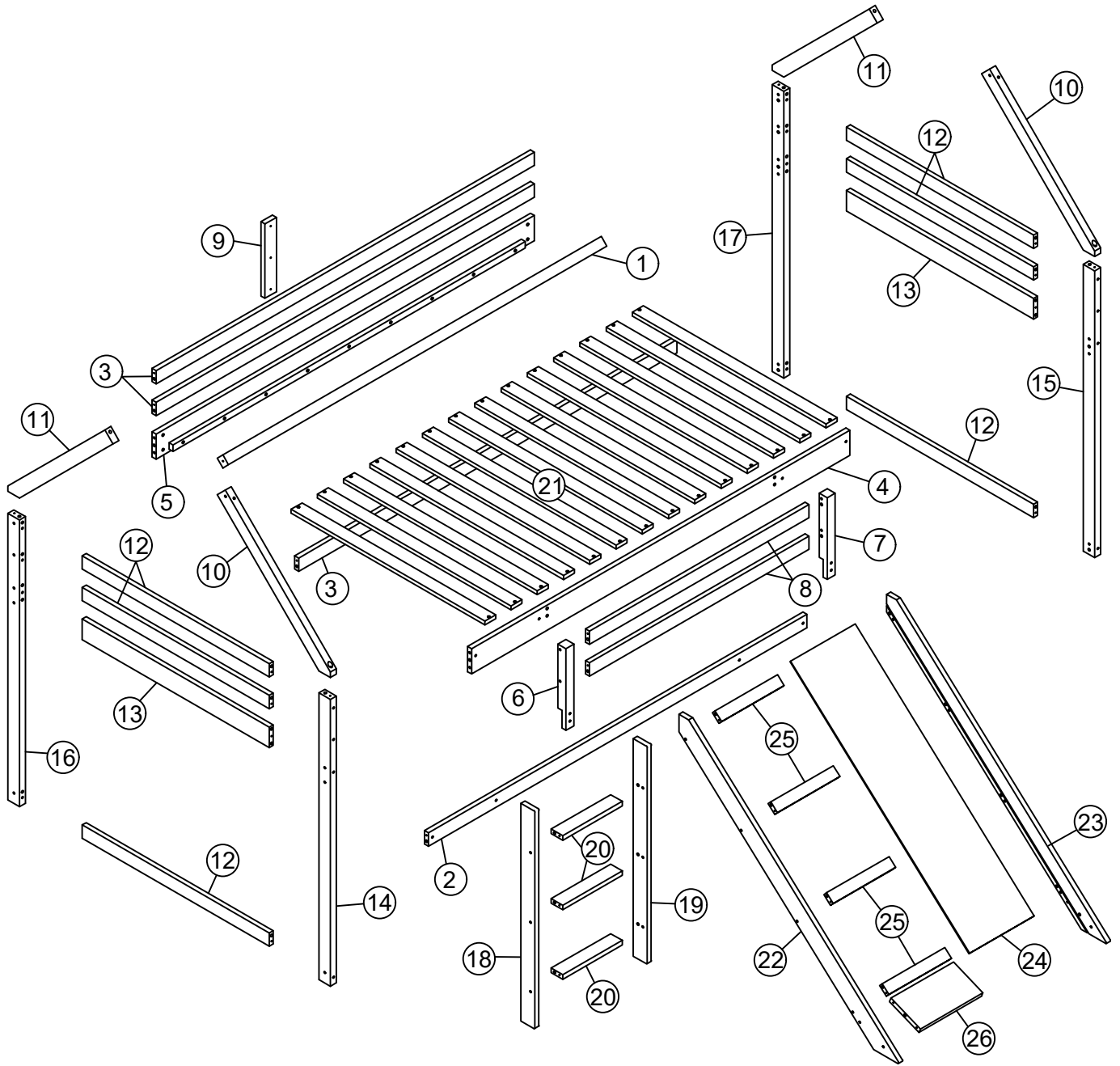
15. Warning the owner to dress children with well-fitting and full foot enclosing footwear. Examples of inappropriate footwear are clogs, flip flops, and sandals.

16. Place the equipment on level ground, not less than 6 ft (1.8 m) from any structure or obstruction such as a fence, garage, house, overhanging branches, laundry lines, or electrical wires








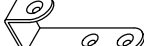


17. Do not install home playground equipment over concrete, asphalt, packed earth, grass, carpet, or any other hard surface. A fall onto a hard surface can result in serious injury or death to the equipment user

18. To prevent serious injury, cautionary statements shall be included which warn that children must not use the equipment until properly installed.

ASSEMBLY INSTRUCTIONS



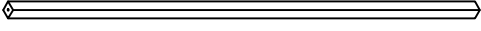
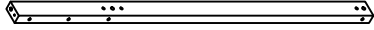
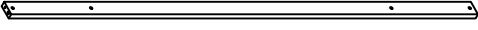
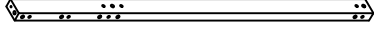
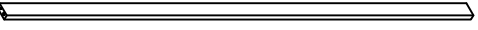
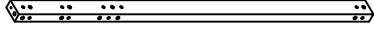

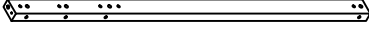


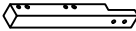
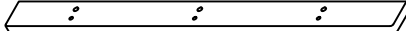
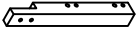
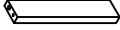
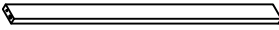
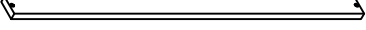

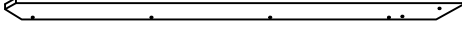
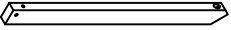
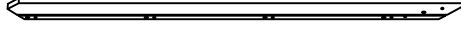
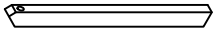

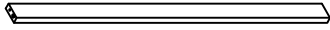

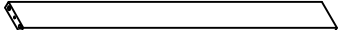

HARDWARE LIST (WF285894)

A	Ø4x30		31PCS	F	1/4x75		8PCS
B	Ø4x15		6PCS	G	1/4x35		4PCS
C	6.5x100		18PCS	H	Ø10x40		58PCS
D	6.5x80		14PCS	I	70x26x18		2PCS
E	6.5x60		26PCS	J	4x58		1PC

ASSEMBLY INSTRUCTIONS

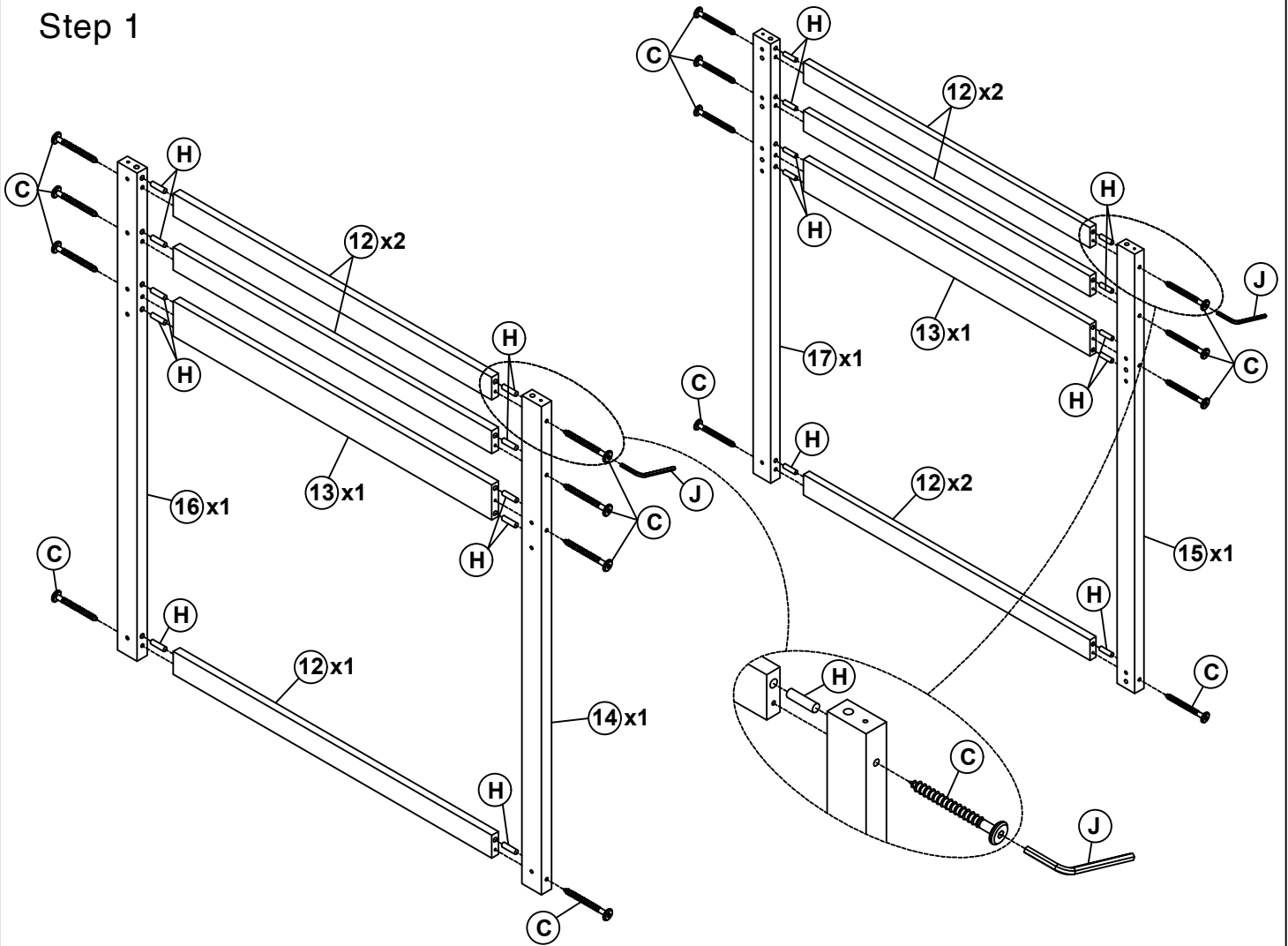
PARTS LIST

WF285894

1		1pc	14		1pc
2		1pc	15		1pc
3		3pcs	16		1pc
4		1pc	17		1pc
5		1pc	18		1pc
6		1pc	19		1pc
7		1pc	20		3pcs
8		2pcs	21		14pcs
9		1pc	22		1pc
10		2pcs	23		1pc
11		2pcs	24		1pc
12		6pcs	25		4pcs
13		2pcs	26		1pc

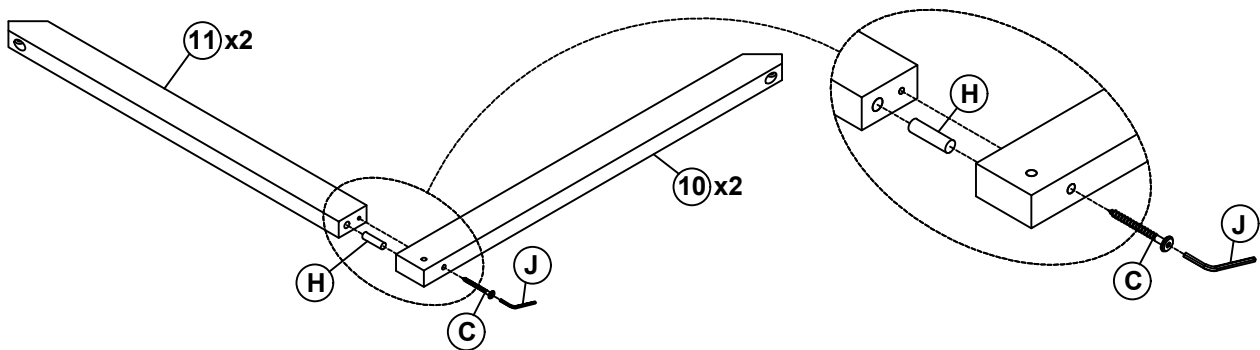
ASSEMBLY INSTRUCTIONS

Step 1



J	4x70		1PC
C	6.5x100		16PCS
H	Ø10x40		20PCS

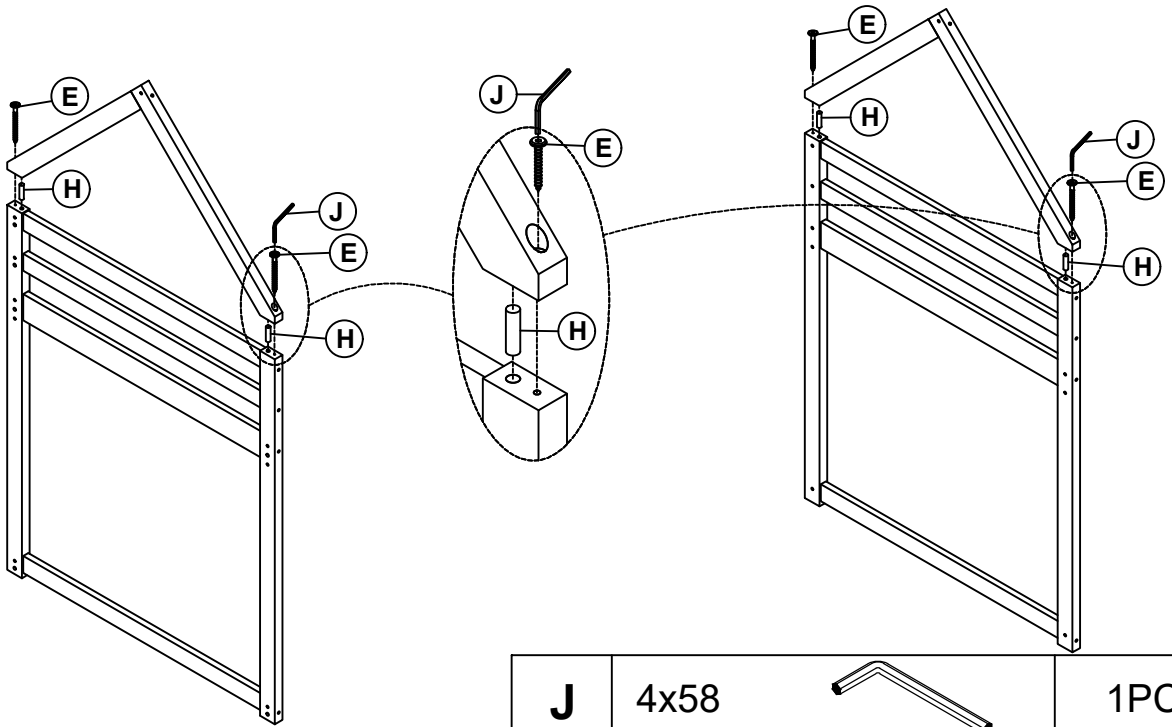
Step 2



C	6.5x100		2PCS
J	4x70		1PC
H	Ø10x40		2PCS

ASSEMBLY INSTRUCTIONS

Step 3

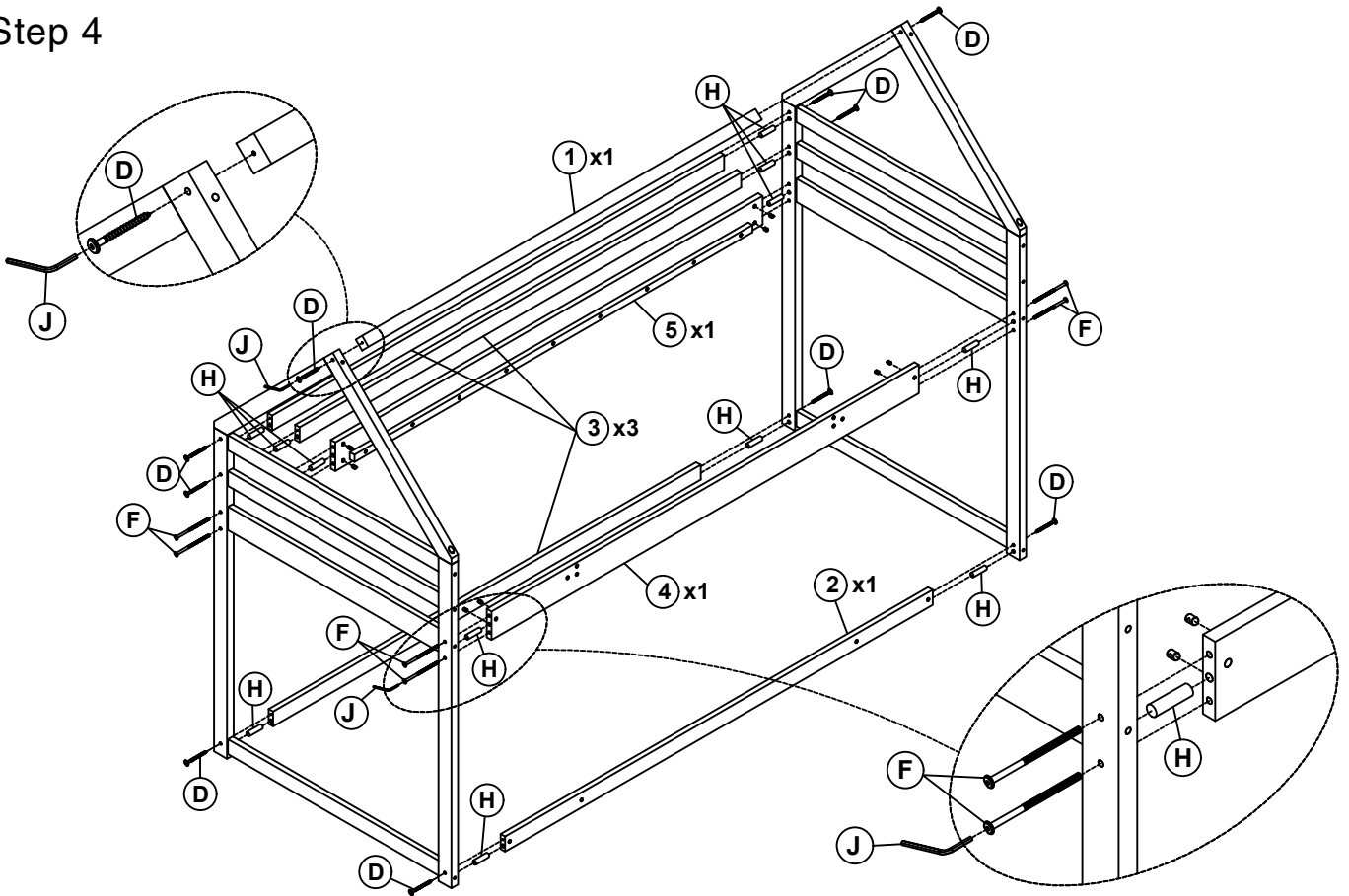


J	4x58		1PC
----------	------	--	-----

H	Ø10x40		4PCS
----------	--------	--	------

E	6.5x60		4PCS
----------	--------	--	------

Step 4



H	Ø10x40		12PCS
----------	--------	--	-------

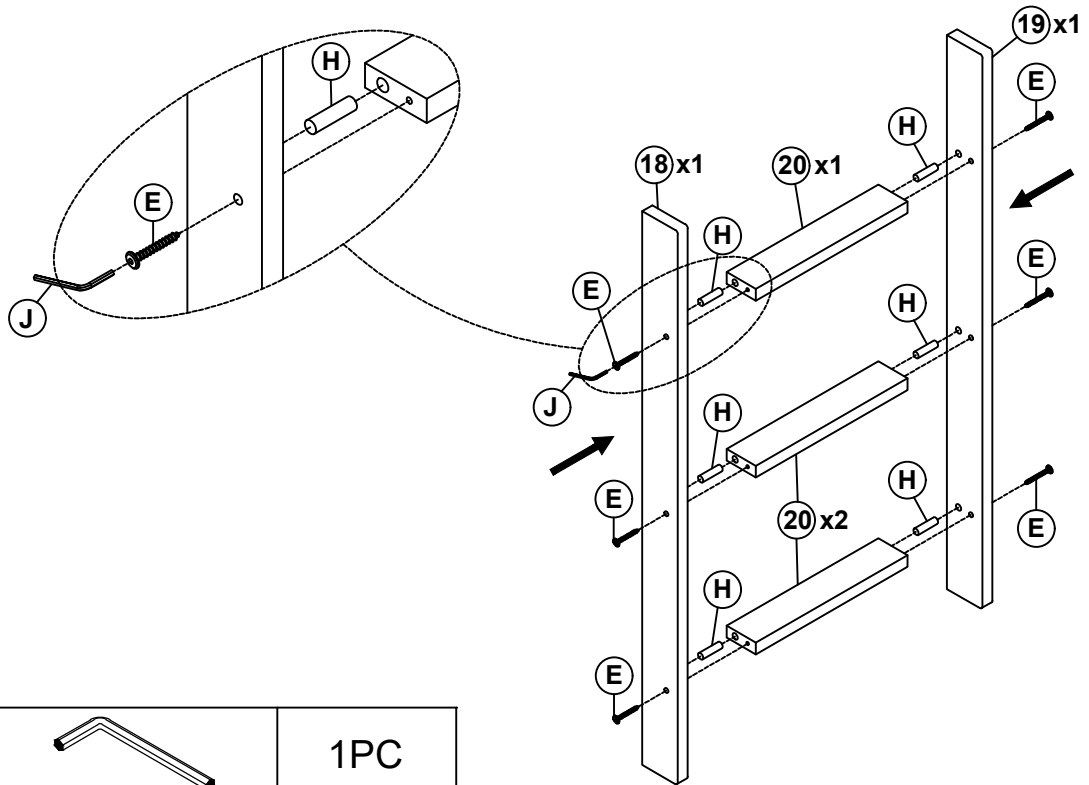
D	6.5x80		10PCS
----------	--------	--	-------

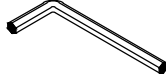


J	4x58		1PC
----------	------	--	-----

F	1/4x75		8PCS
----------	--------	--	------

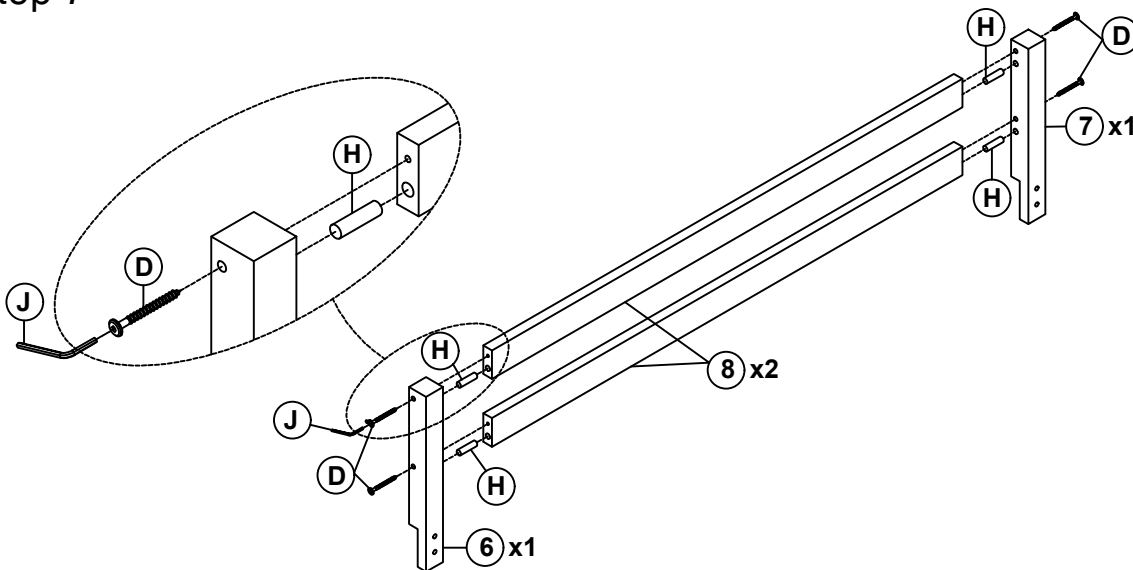
ASSEMBLY INSTRUCTIONS




Step 6



J	4x58		1PC
E	6.5x60		6PCS
H	Ø10x40		6PCS

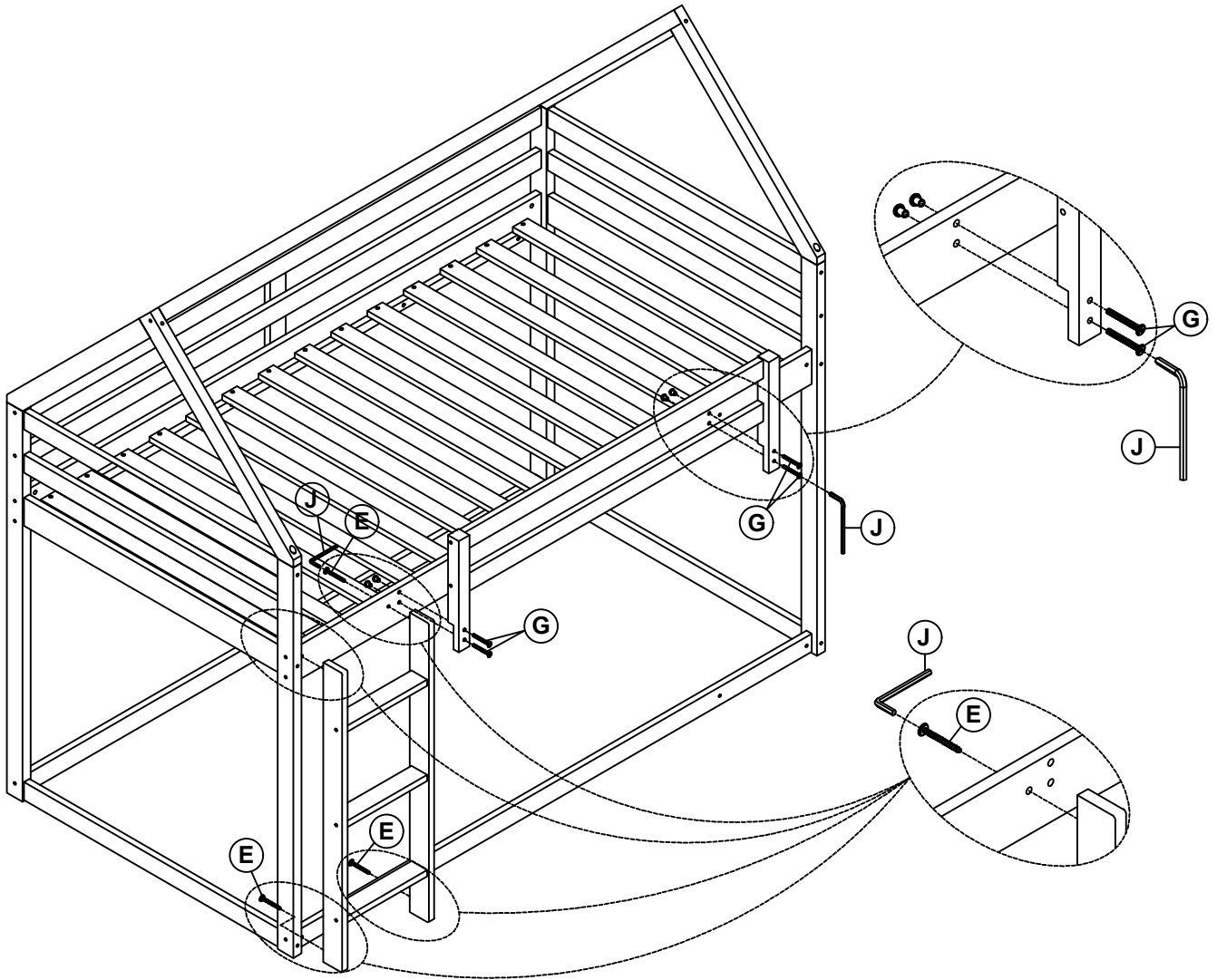
Step 7






J	4x58		1PC
D	6.5x80		4PCS
H	Ø10x40		4PCS

ASSEMBLY INSTRUCTIONS

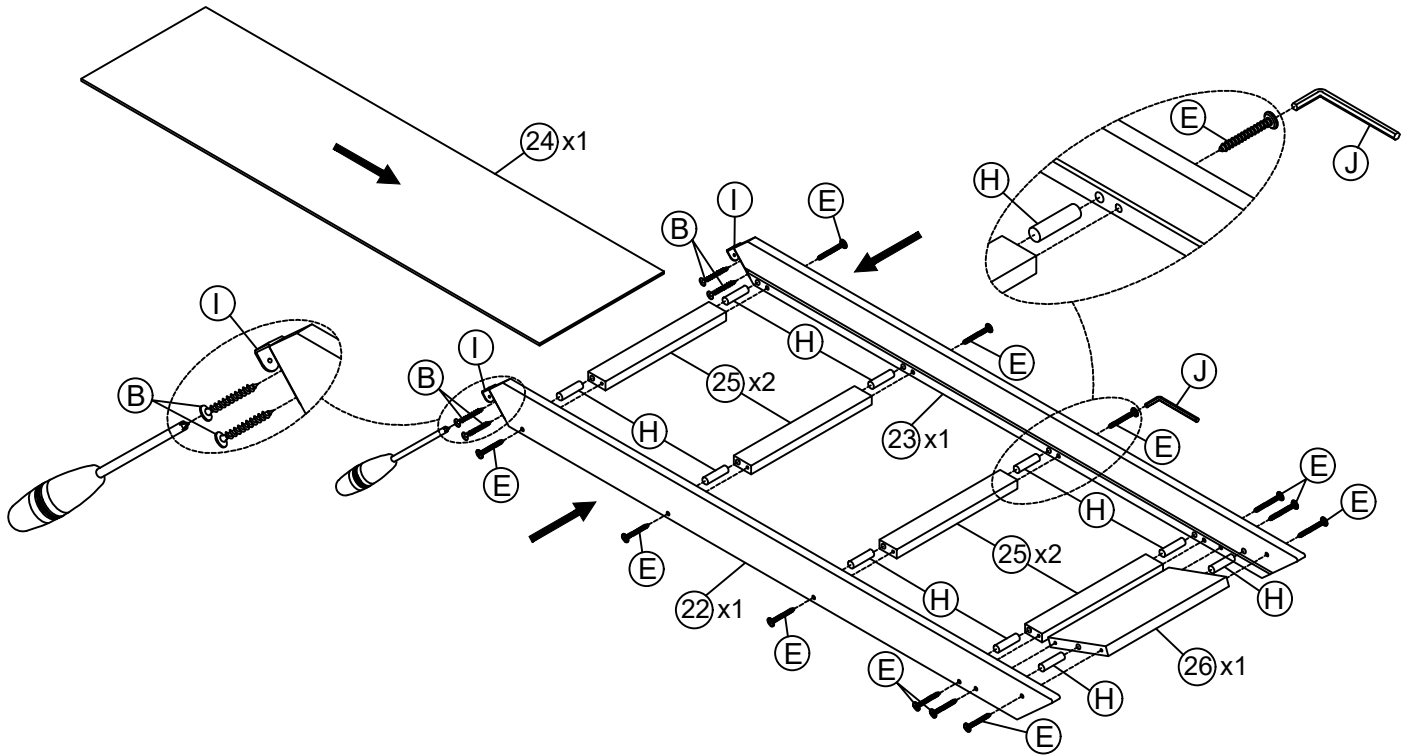
Step 8


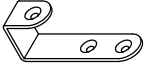





G	1/4x35		4PCS	J	4x58		1PC
				E	6.5x60		4PCS

ASSEMBLY INSTRUCTIONS

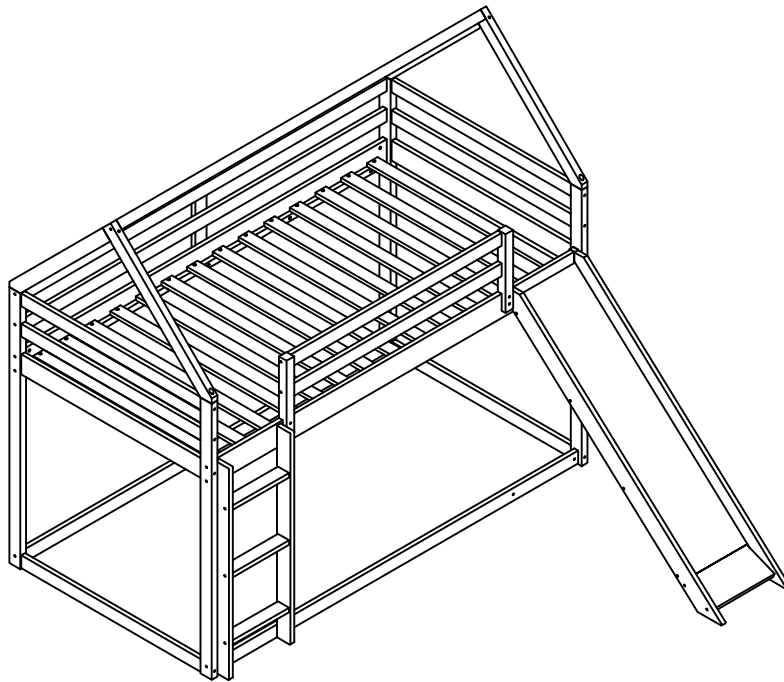
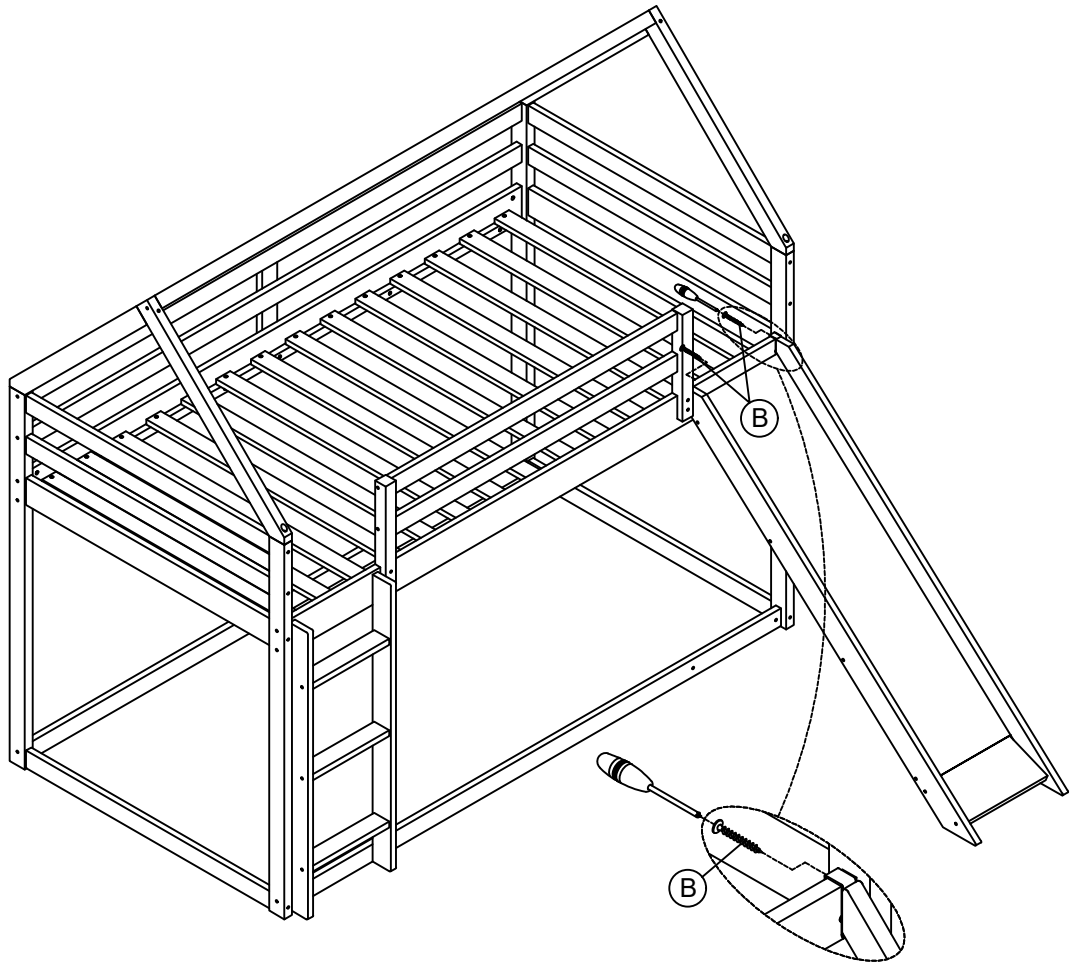
Step 9



B	Ø4x15		4PCS				
I	70x26x18		2PCS	J	4x58		1PC
H	Ø10x40		10PCS	E	6.5x60		12PCS

ASSEMBLY INSTRUCTIONS

Step 10



B

Ø4x15



2PCS