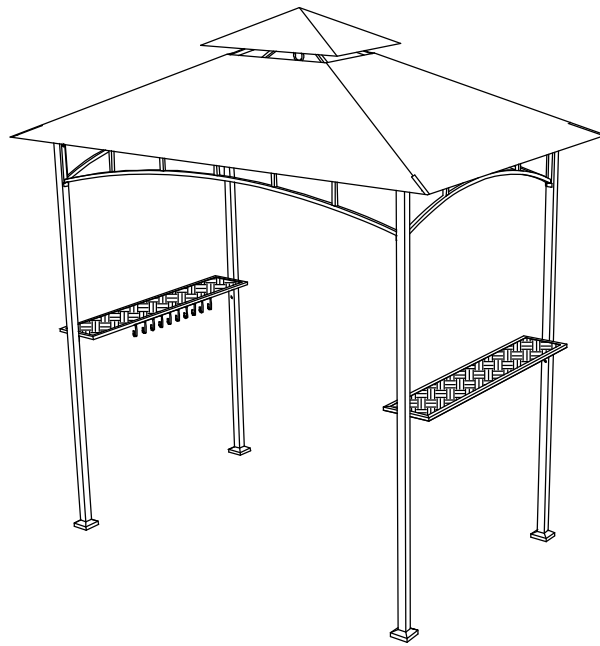


ITEM NO.:A103002203



WE HAVE YOU IN MIND, LET US SERVE YOU!

Questions? Issues?

CONTACT US

24 hours / 7 days a week

 Warranty Parts

www.sunjoyonline.com



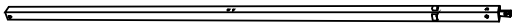
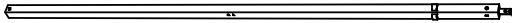
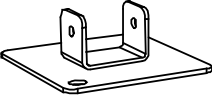
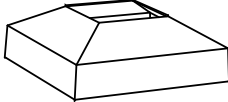

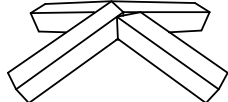
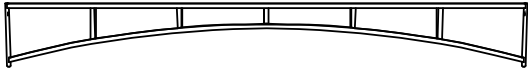







customer.care@sunjoygroup.com

Toll Free



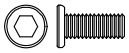


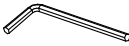
1-(866)-578-6569

Parts List

Description	Label	Part#	Qty	Image
Post(1)	A3	P000200458	2	
Post(2)	A4	P000200459	2	
Base	B1	P000100326	4	
Base Cover	C	P006100169	4	
Beam	D1	P000601342	4	
Large Top Connector	F2	P000501176	1	
Long Support	H1	P000400895	2	
Short Support	I1	P000400896	2	
Side Bar	J1	P002100329	2	
Hook	K	P005800001	1	
Tool hook	L	P005800176	1	
Small Canopy	M1	P001100553	1	
Lager Canopy	N1	P001100554	1	
Adjustable tube	O	P005700660	8	

Country of Origin: China

Hardware Pack 1

Label	Description	Part#	Qty	Image
AA	M6X15 Bolt	H010030030	8PCS	
BB	M6 Flat Washer	H050010057	16 PCS	
CC	M6X20 Bolt	H010030032	8 PCS	
DD	M6 Wrench	H090030002	1 PCS	

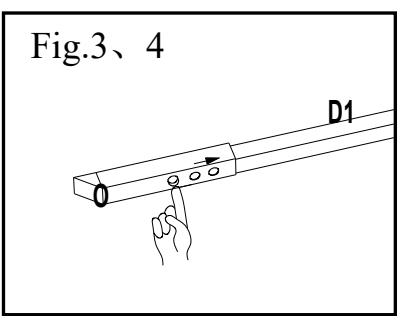
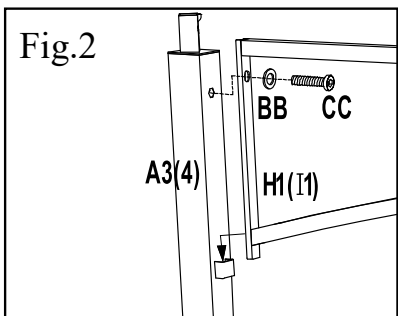
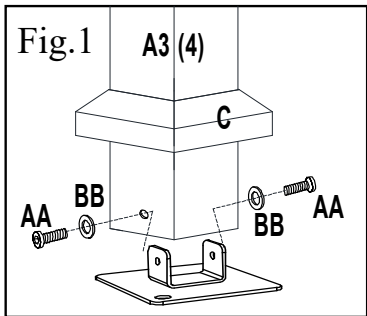
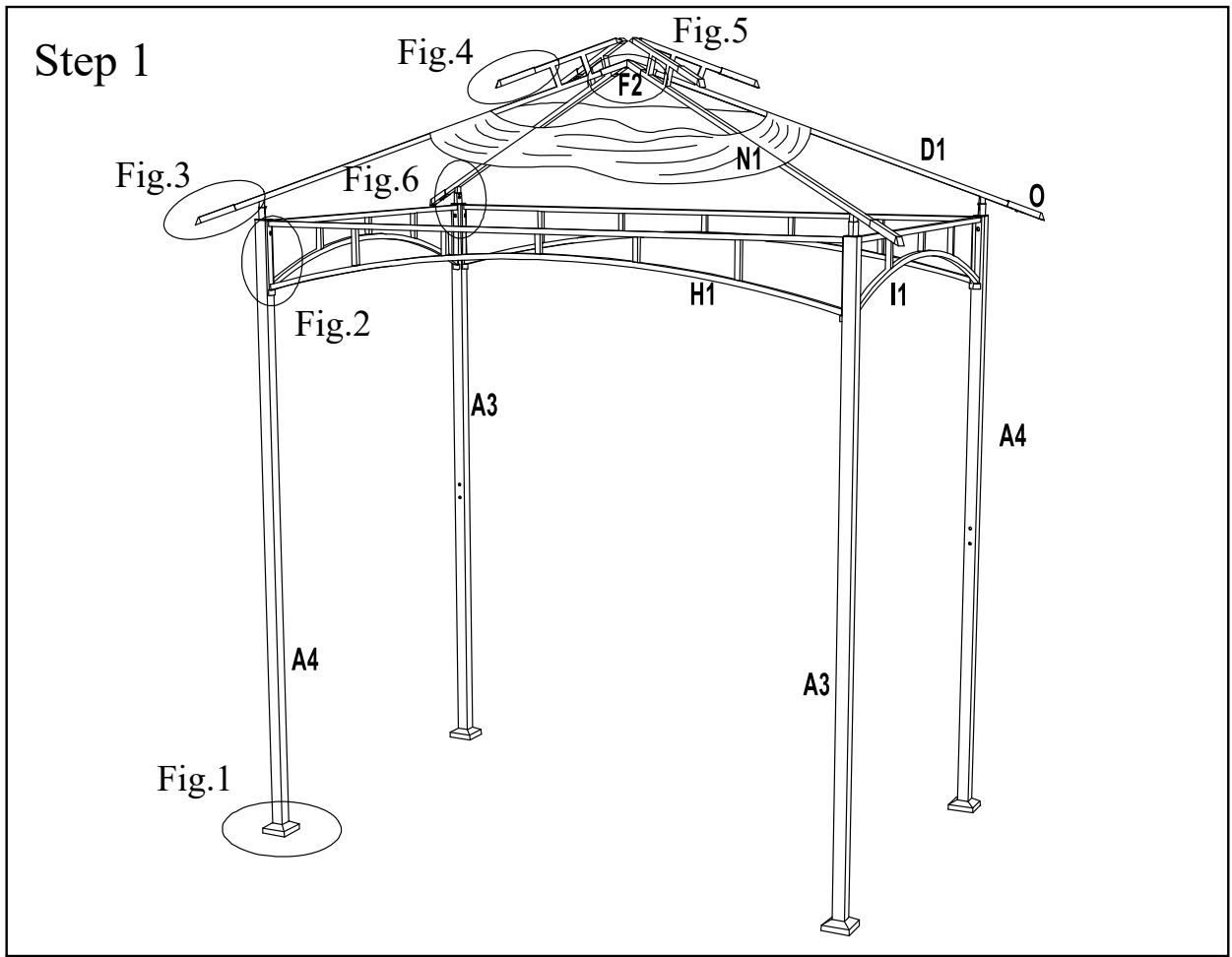


Fig.1: Put the base cover (C) through post (A3、 A4) , then attach base(B1) to post bottom (A3、 A4) by using bolt (AA) flat washer (BB) .

Fig.2: Attach long/short support (H1、 J1) to upper of post (A3、 A4) , fix by using Bolt (CC) flat washer (BB) .

Fig.3、 4: Attach the adjustable tube (O) to bottom of beam (D1) .

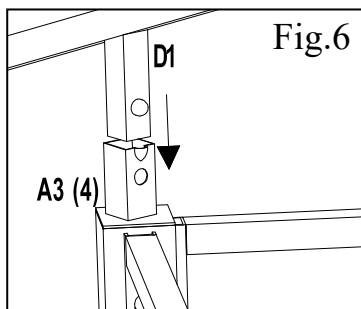
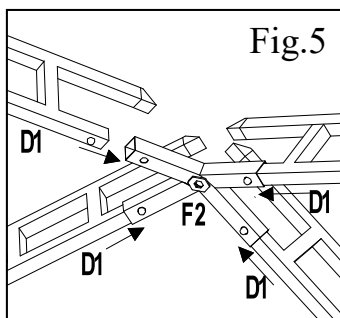





Fig.5: Insert beam (D1) to large top connector (F2) .

Fig.6: Insert beam (D1) to upper connector of post (A3、 A4) .

Hardware Pack 2

Label	Description	Part#	Qty	Image
AA	M6X15 Bolt	H06015C11	11PCS	
BB	M6 Flat Washer	H19001C11	11PCS	
FF	Φ6X230MM "7"stake	P12404B01002	8PCS	

Step 2

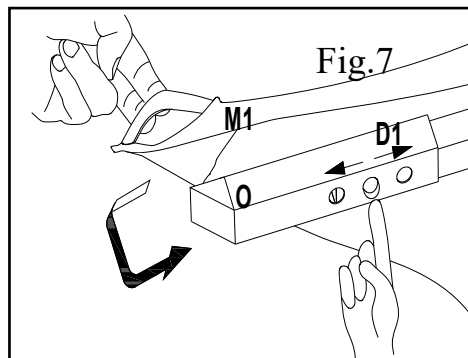
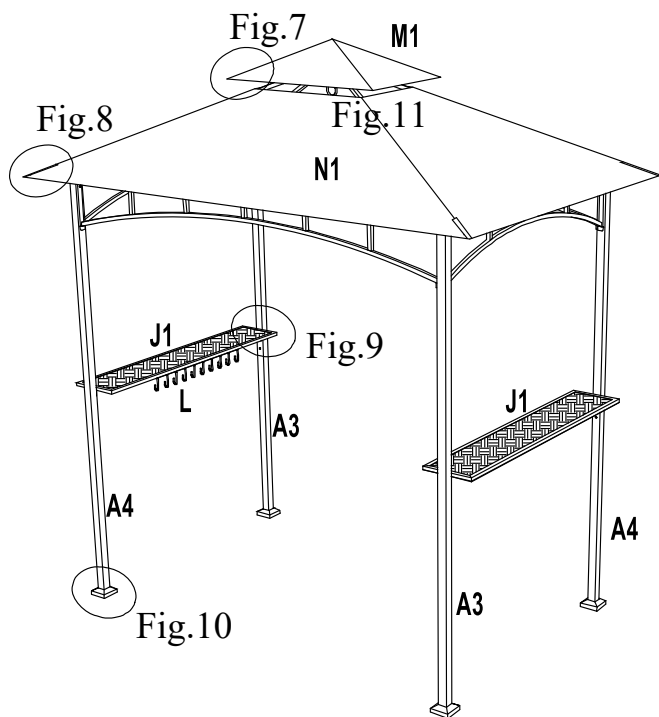


Fig.7: Fix small canopy(M1) to adjustable tube(O) , then adjust the tube(O) to appropriate size.

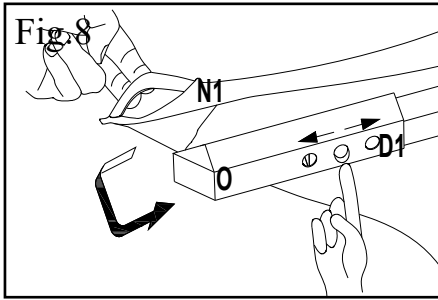


Fig.8: Fix large canopy (N1) to bottom of beam (D1) , then adjust the tube (O) to appropriate size.

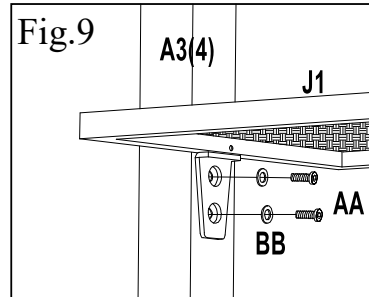


Fig.9: Attach side bar(J1) to post (A3、A4) , fix by using bolt (AA) flat washer (BB) .

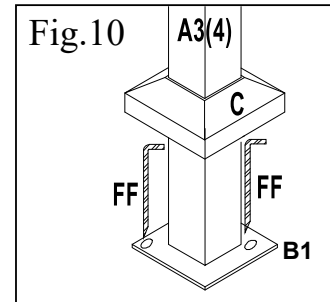


Fig.10:Up the base cover (C) , fix the assembled gazebo on ground by using stake(FF) .

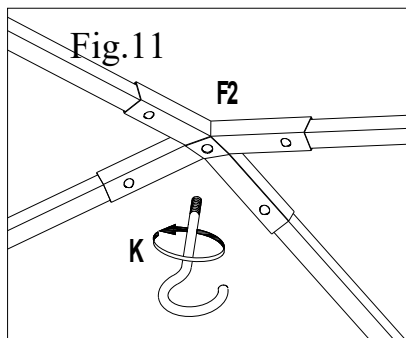


Fig.11:Install the hook (K) onto the top connection.

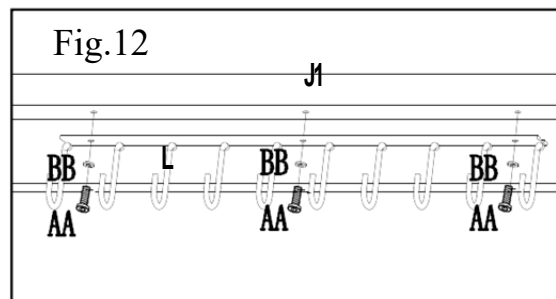


Fig.12:Attach hook rack (L) to glass side bar (J1) by using bolt (AA) and flat washer (BB).

Care and Maintenance

- Our steel components for garden accessories and furniture are treated with rust inhibiting paint that protects it from rusting. However, due to the nature of steel, surface oxidation (rusting) will occur once these protective coatings are scratched. This is not a defect and thus not covered by the warranty.
- To minimize this condition, we recommend care when assembling & handling the product to prevent scratching the paint. Should any scratching or damage occur, we recommend immediate touch-up with rust inhibiting paint.
- Surface rust can also be easily removed with a very light application of common cooking oil. If surface oxidation (rusting) occurs and if no measure is taken to prevent this, the oxidation may start dripping on to deck or patio and caused damaging stains, which may be difficult to remove. This can be prevented if the above-mentioned measures are taken to keep the product from oxidizing.
- Use damp cloth to wipe off the stains as quickly as possible.
- If necessary, wash with a mild solution of soap and water; rinse thoroughly and dry completely.
- Periodically check and ensure that all bolts are well-tighten during use

Limited Manufacturer's Warranty

Sunjoy Group warrants to the original purchaser that this item is free from defects in workmanship and materials for a period of 6 months from the date of purchase, provided the item was factory-sealed at the time of purchase and is maintained with care and used only for personal, residential purposes. Should any manufacturing defect arise within this warranty period, Sunjoy Group will replace (at our option) any defective merchandise or parts upon proof of purchase; however, transportation and delivery costs, as well as payments to a third party for assembly or disassembly of the item, remain the responsibility of the purchaser. A purchaser of an "open box," previously-returned, or "clearance" item, as well as original purchasers outside of the warranty period, may obtain replacement parts from Sunjoy Group for products in current production, at nominal cost.

Exclusions:

Items used for commercial, contract, or other non-residential purposes, or items damaged due to acts of nature, vandalism, misuse, or improper assembly are not covered. Corrosion or rusting of hardware is not covered. Proof of purchase (dated register receipt) is required for warranty claims. Warranty is to the original purchaser and is non-transferable. Any replacement of warranted items will be in the original style and color, or a similar style and color if the original is unavailable or has been discontinued. As some states do not allow exclusions or limitations on an implied warranty, the above exclusions and limitations may not apply. This warranty gives you specific rights, and you may also have other rights, which vary from state to state.

Country of Origin: China