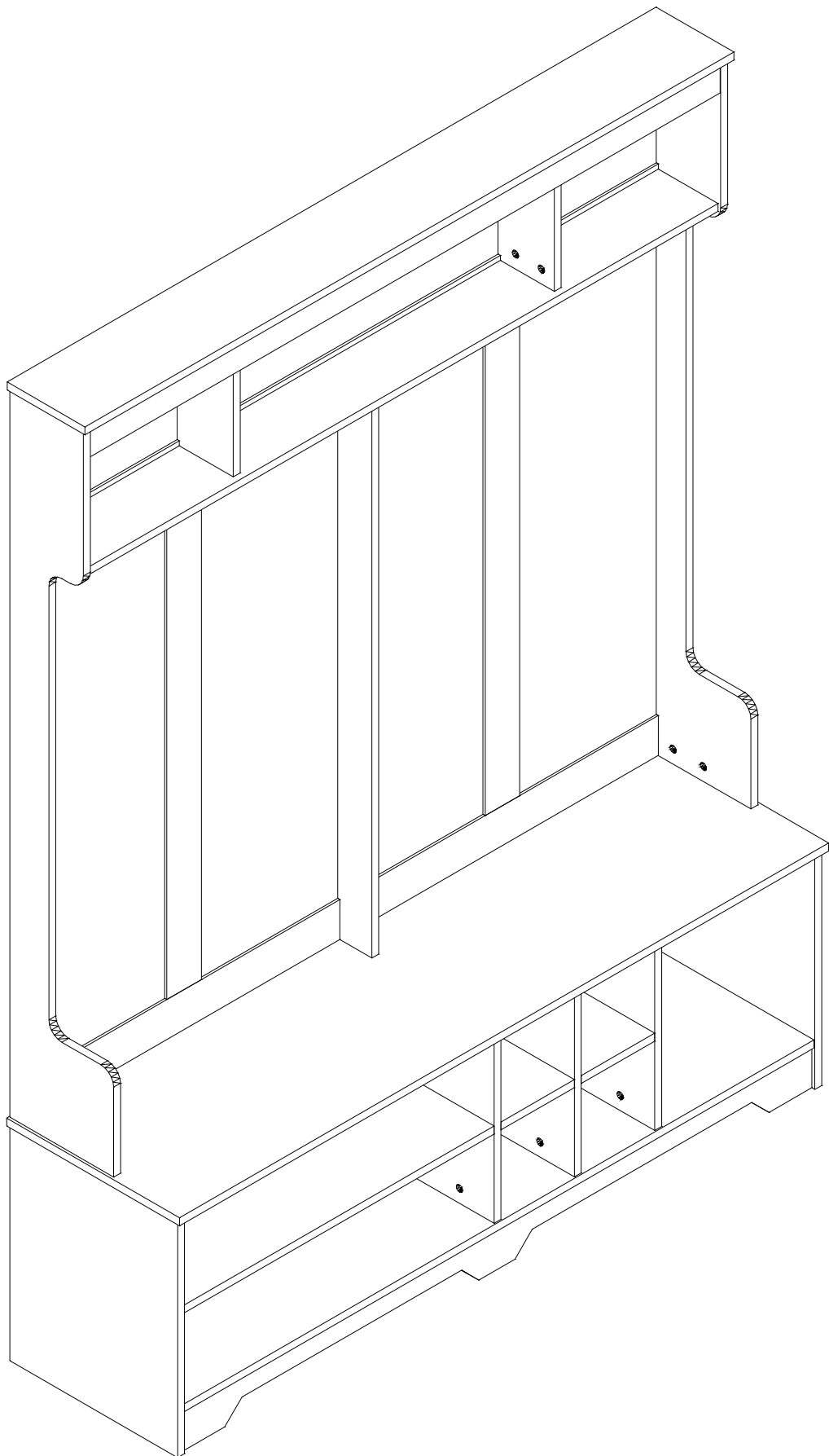
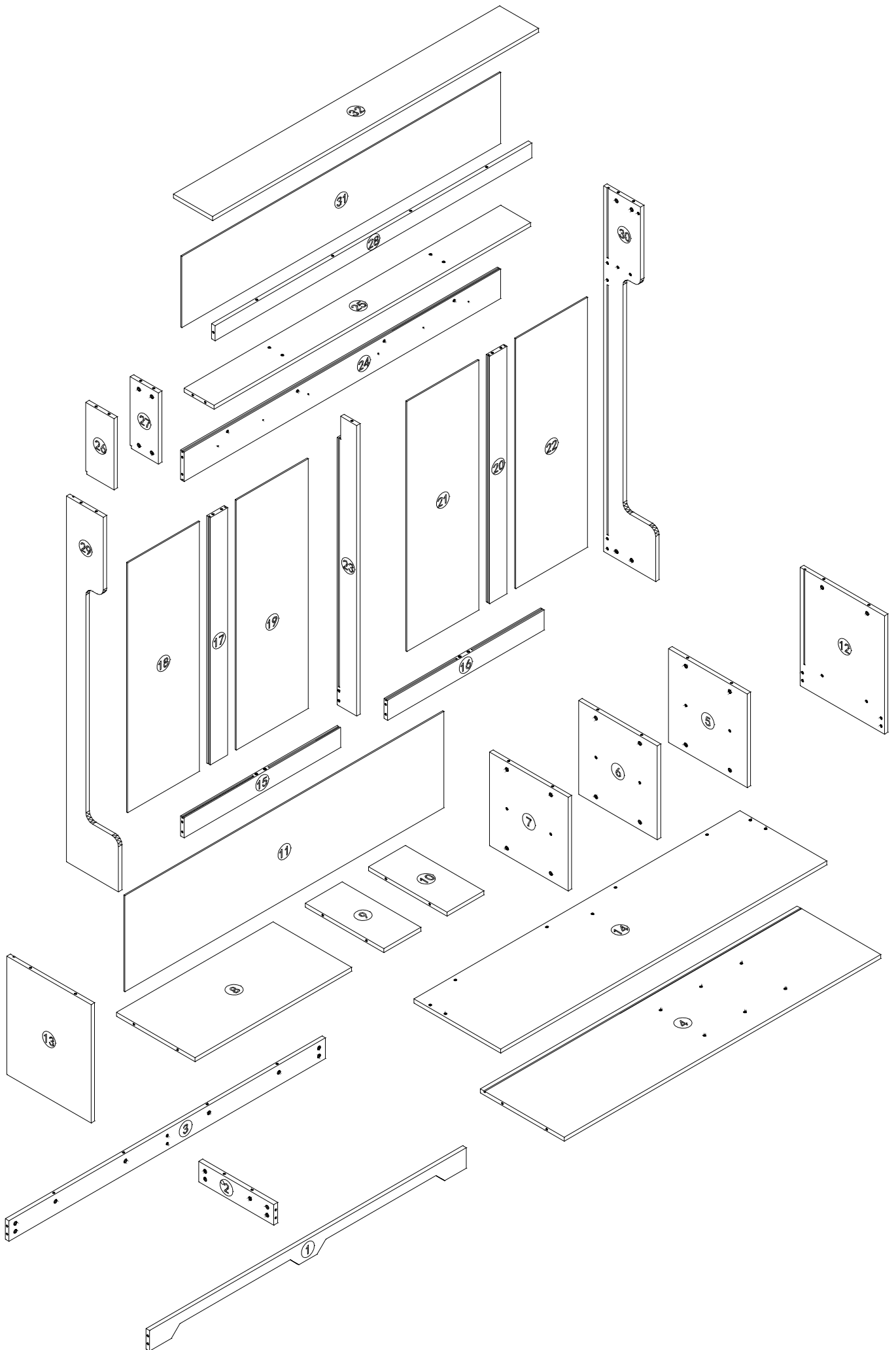


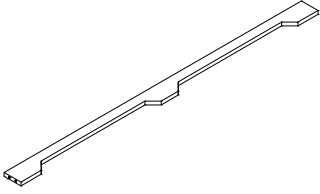
Assembly Instructions





Component List

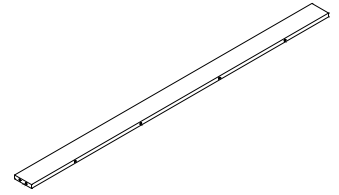
①



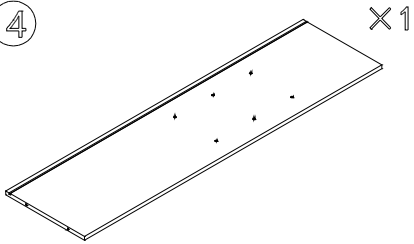
②



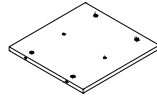
③



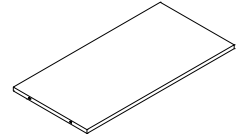
④



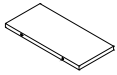
⑤ ⑥ ⑦



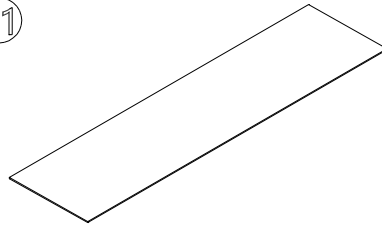
⑧



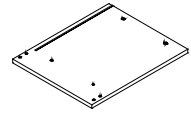
⑨ ⑩



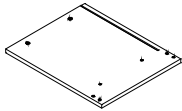
⑪



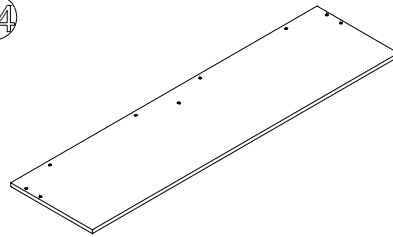
⑫



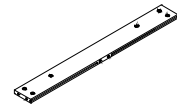
⑬



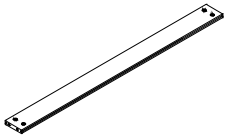
⑭



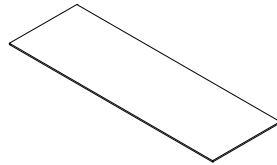
⑮ ⑯



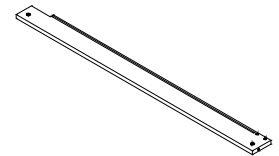
⑰ ⑳



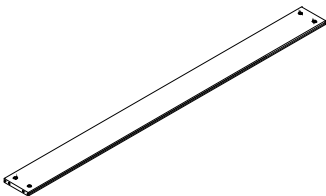
⑲ ⑳ ㉑ ㉒



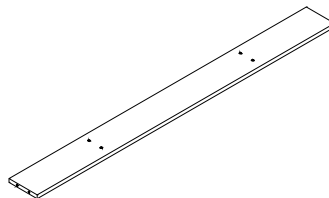
㉓



㉔



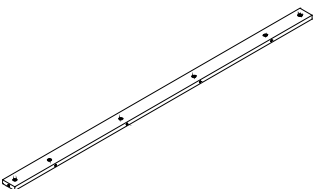
㉕



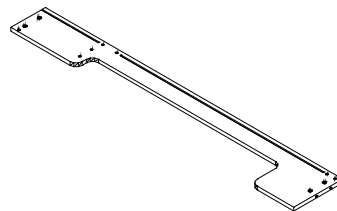
㉖ ㉗



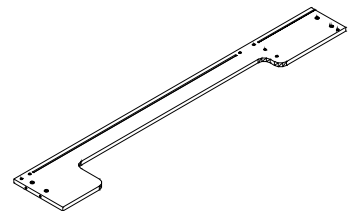
㉘



㉙

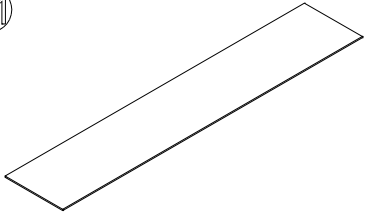


㉚

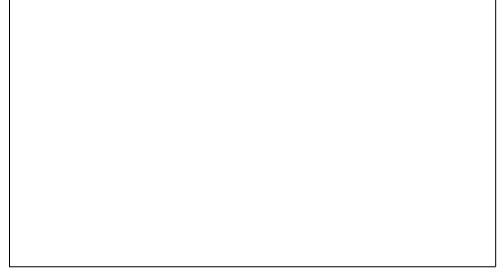
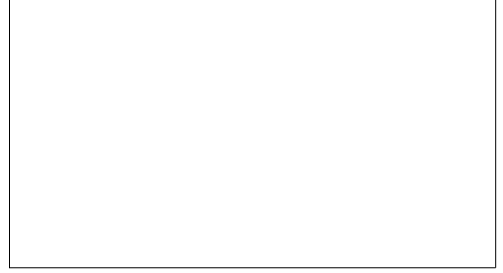
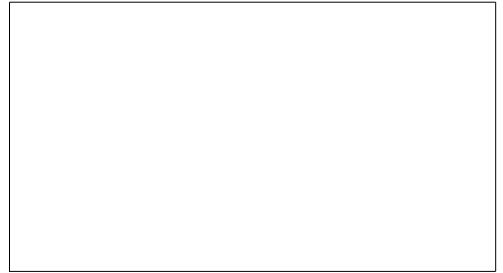
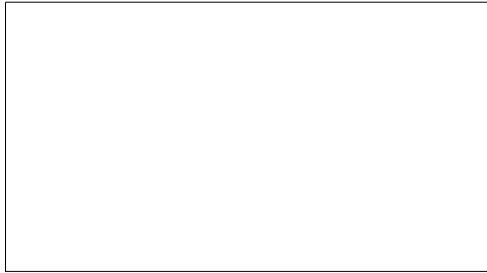
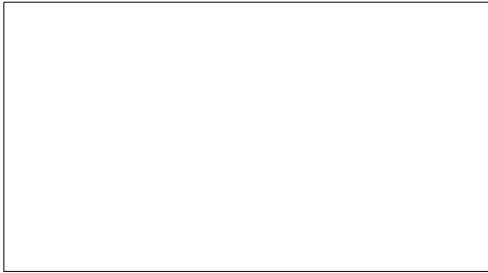
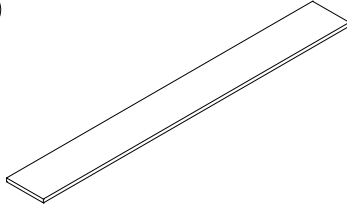


Component List

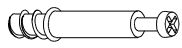
31



32



X106



(A)

6*33mm

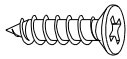
X106



(B)

ø5*10mm

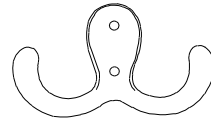
X12



(C)

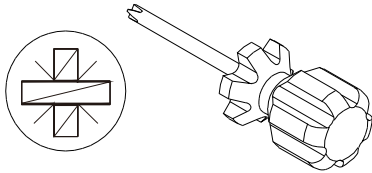
ø4*12mm

X6



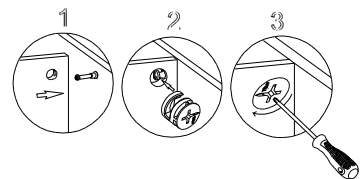
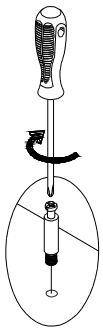
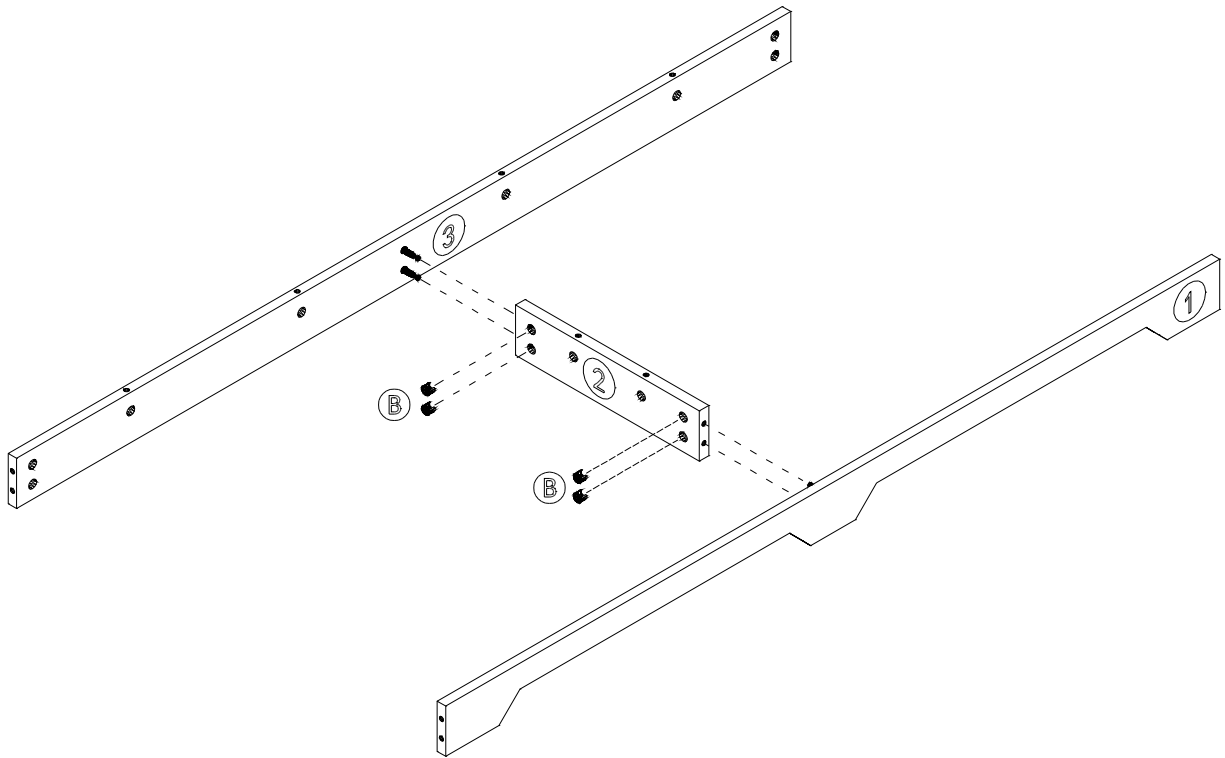
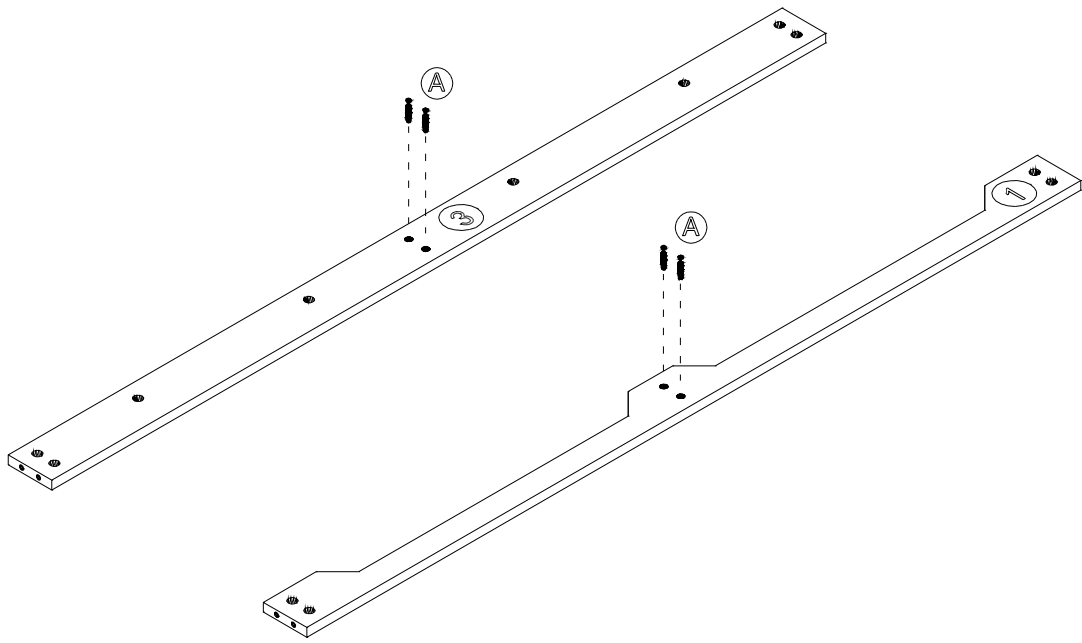
(D)

X1

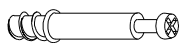


(E)

(F)



A

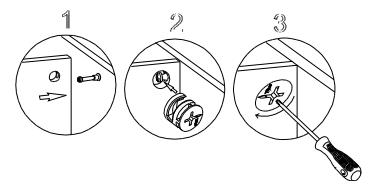
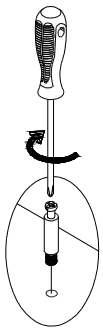
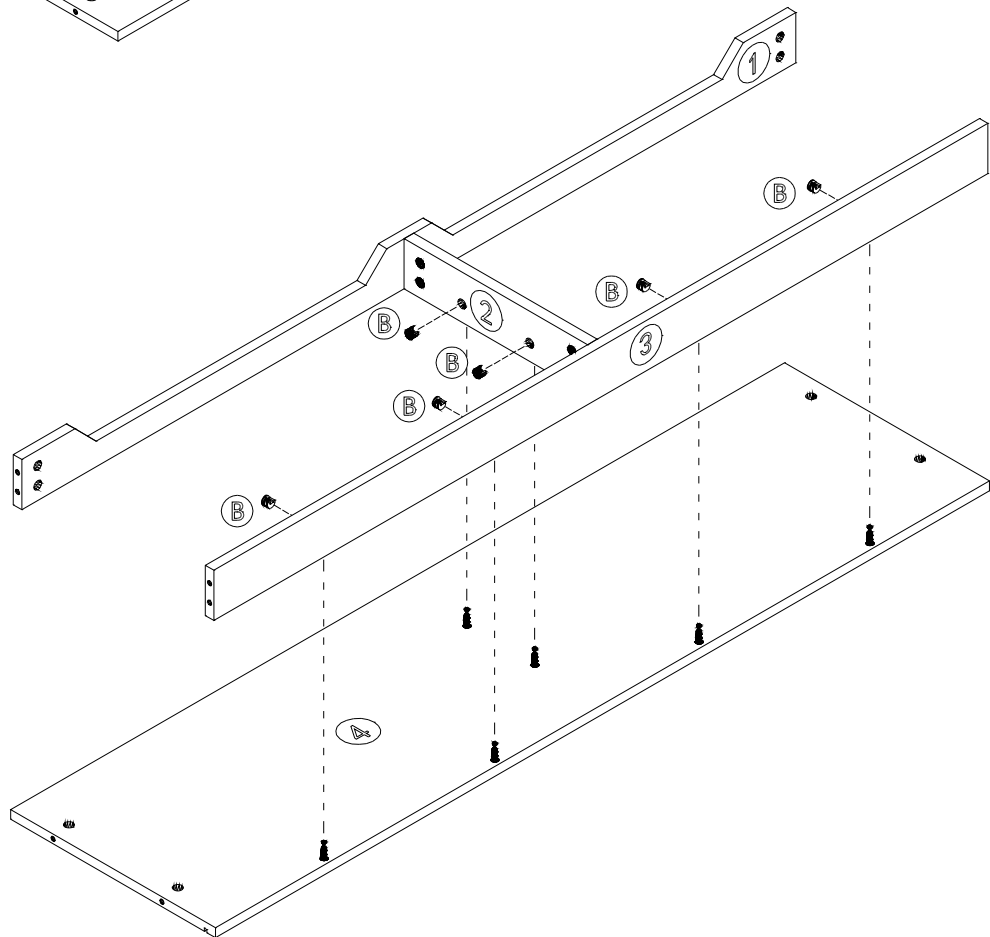
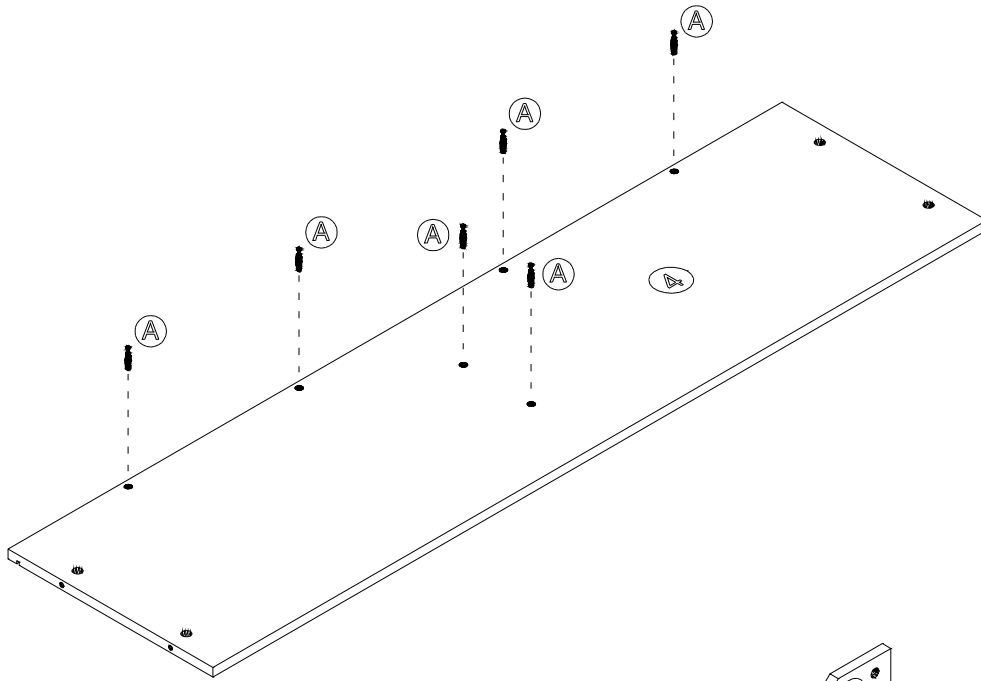


[× 4]

B



[× 4]



A

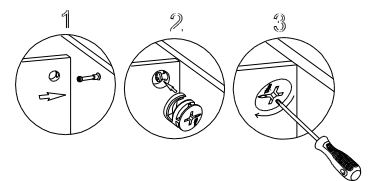
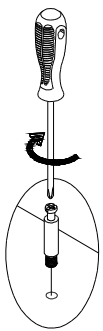
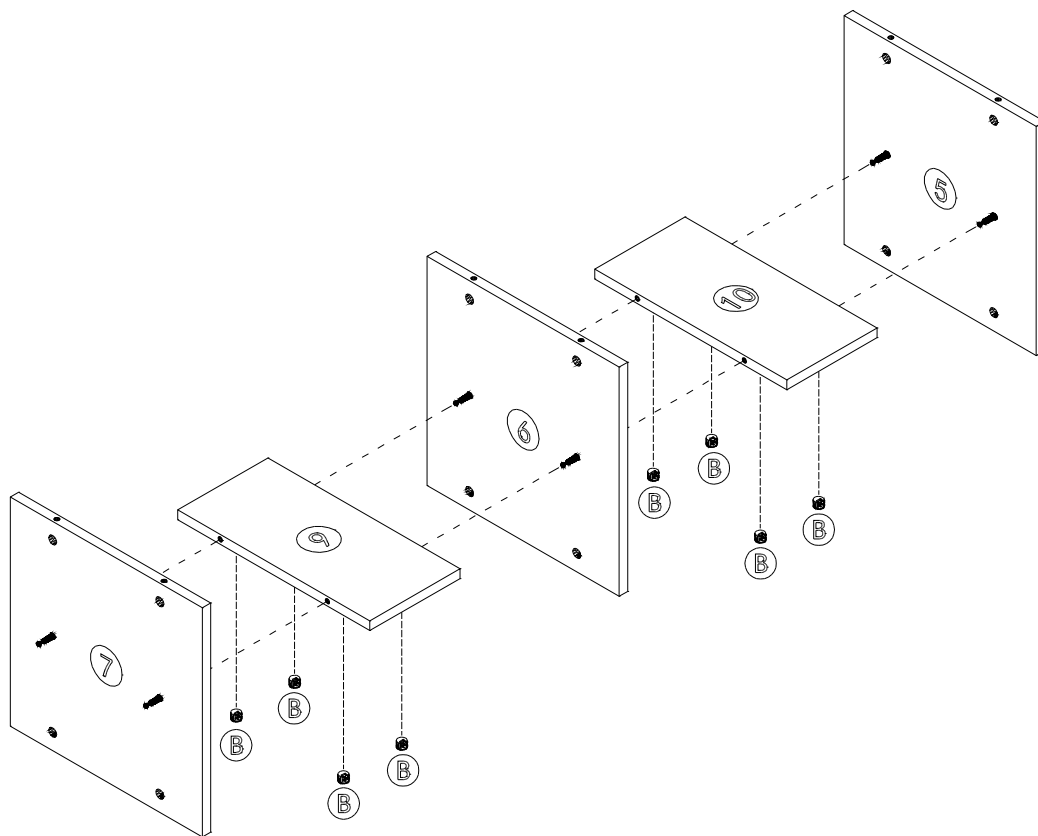
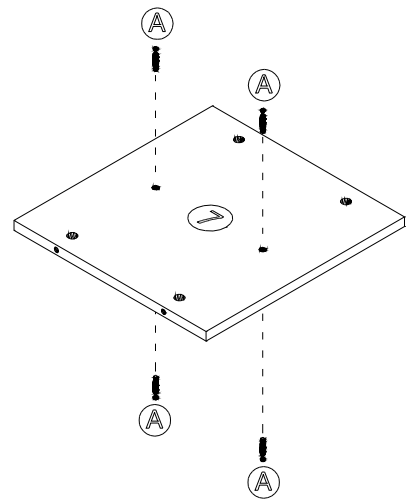
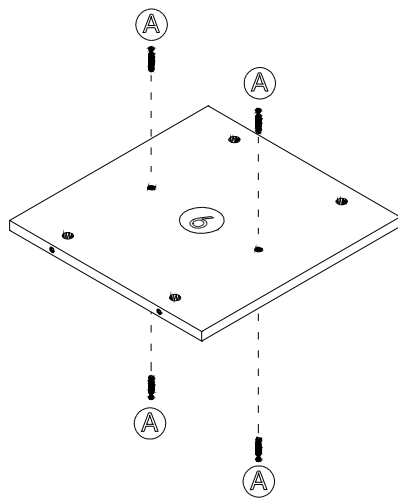
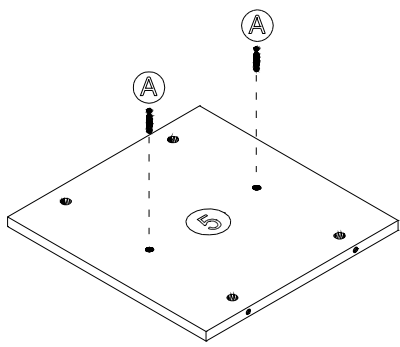



[× 6]

B

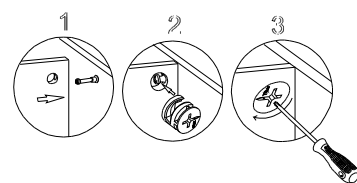
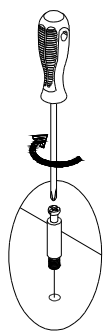
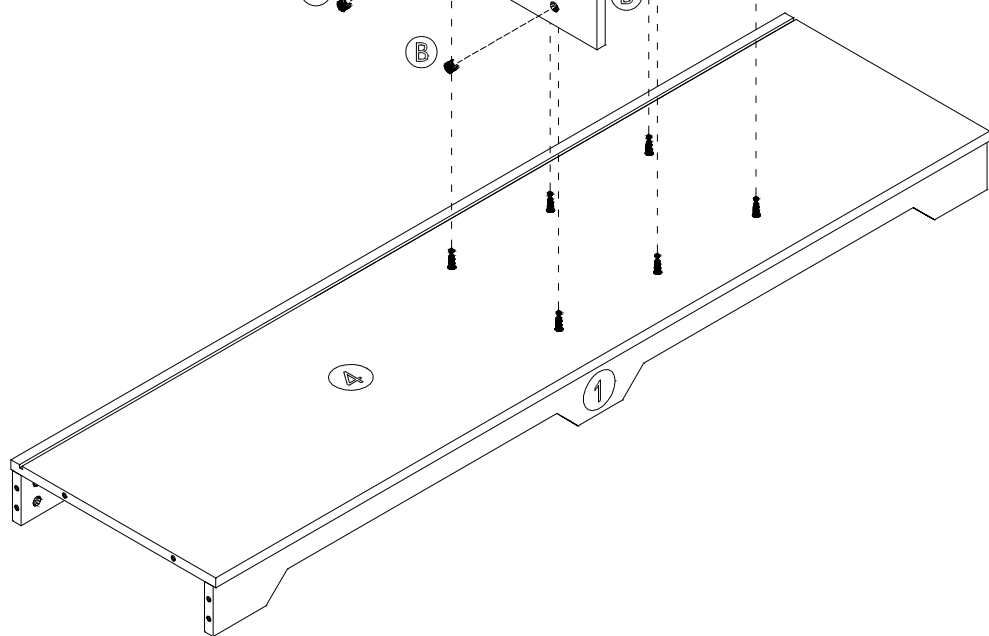
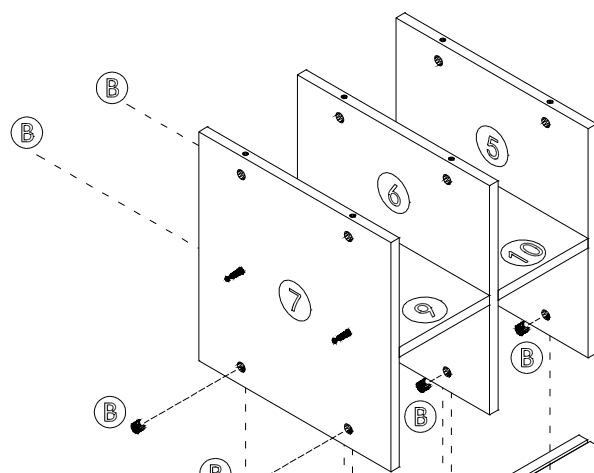
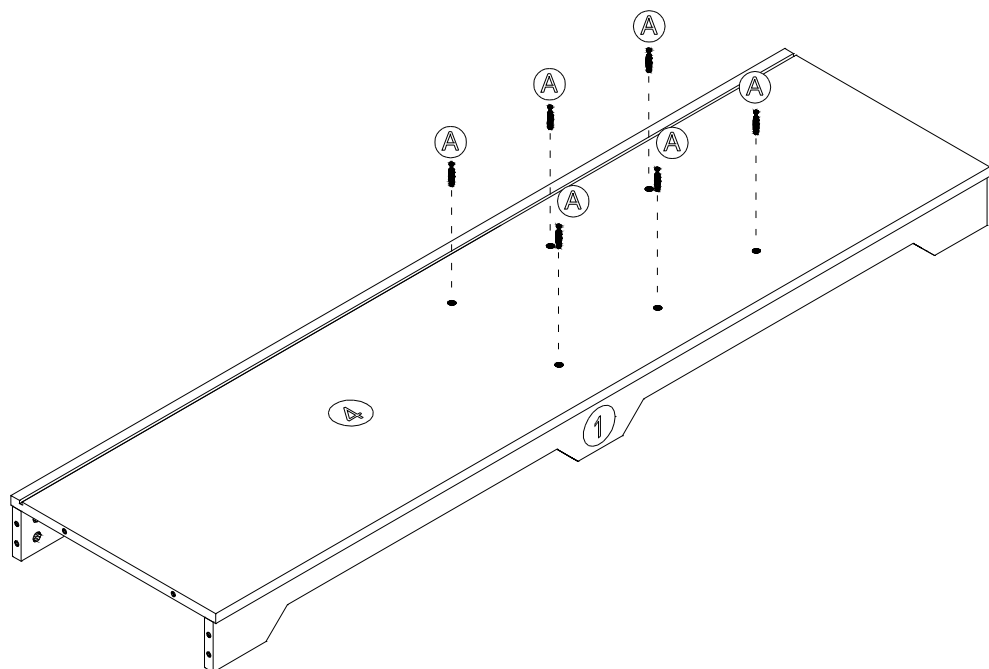


[× 6]



(A)  [×10]

(B)  [×8]



A

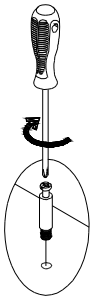
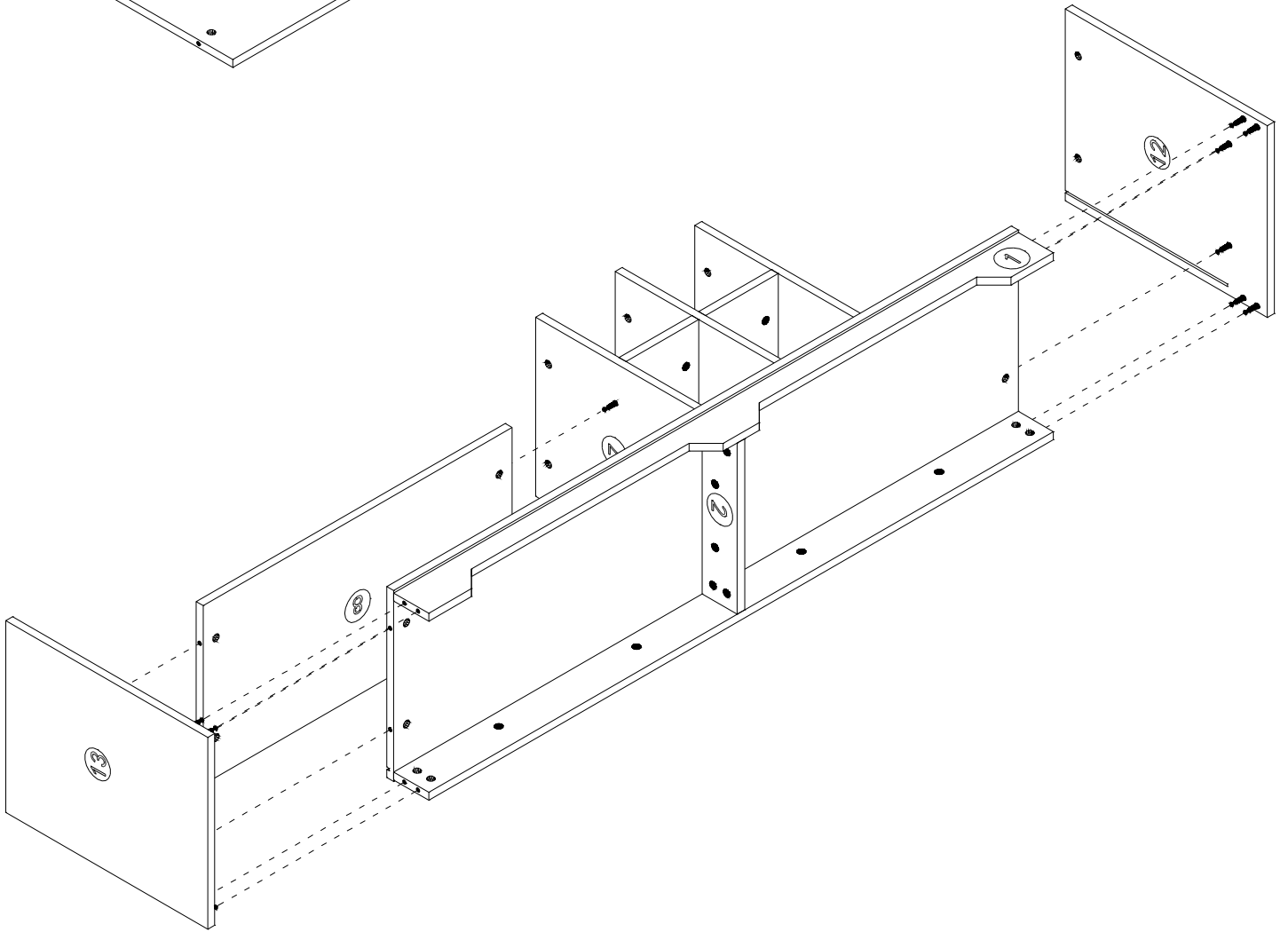
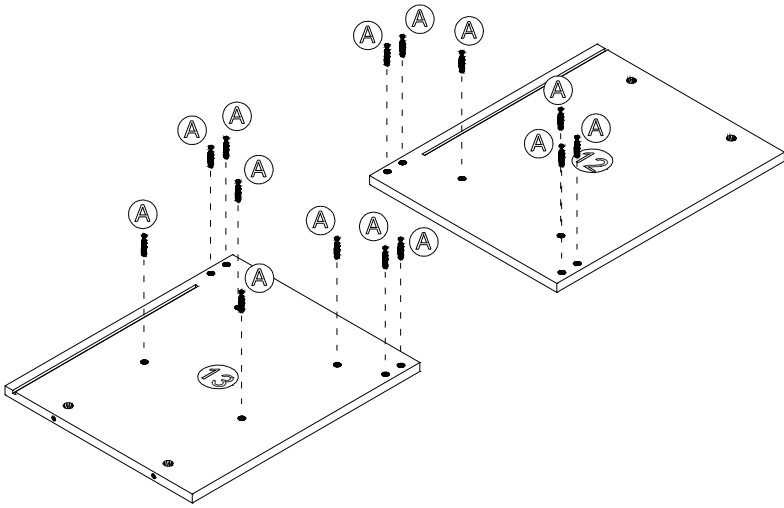


[X6]

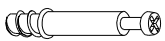
B



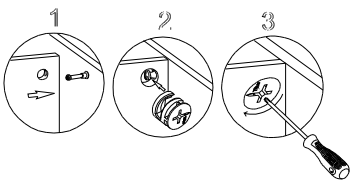
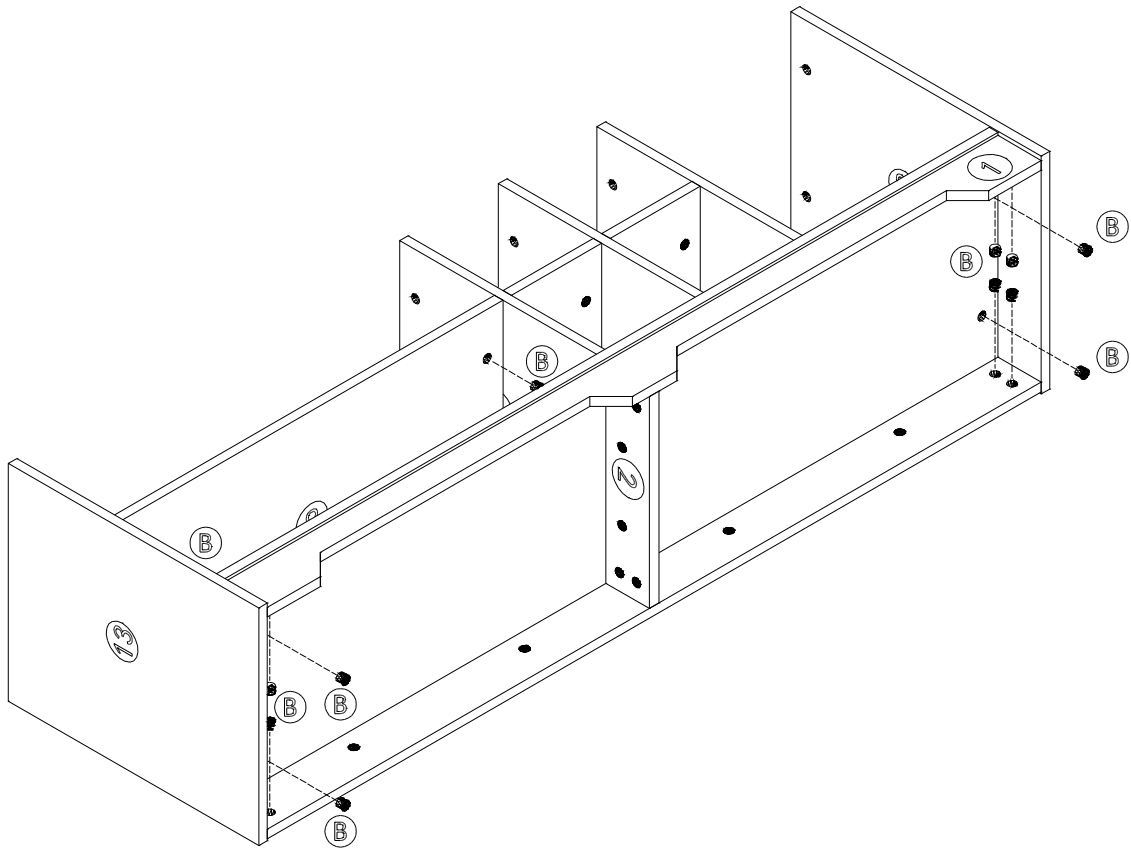
[X6]



A



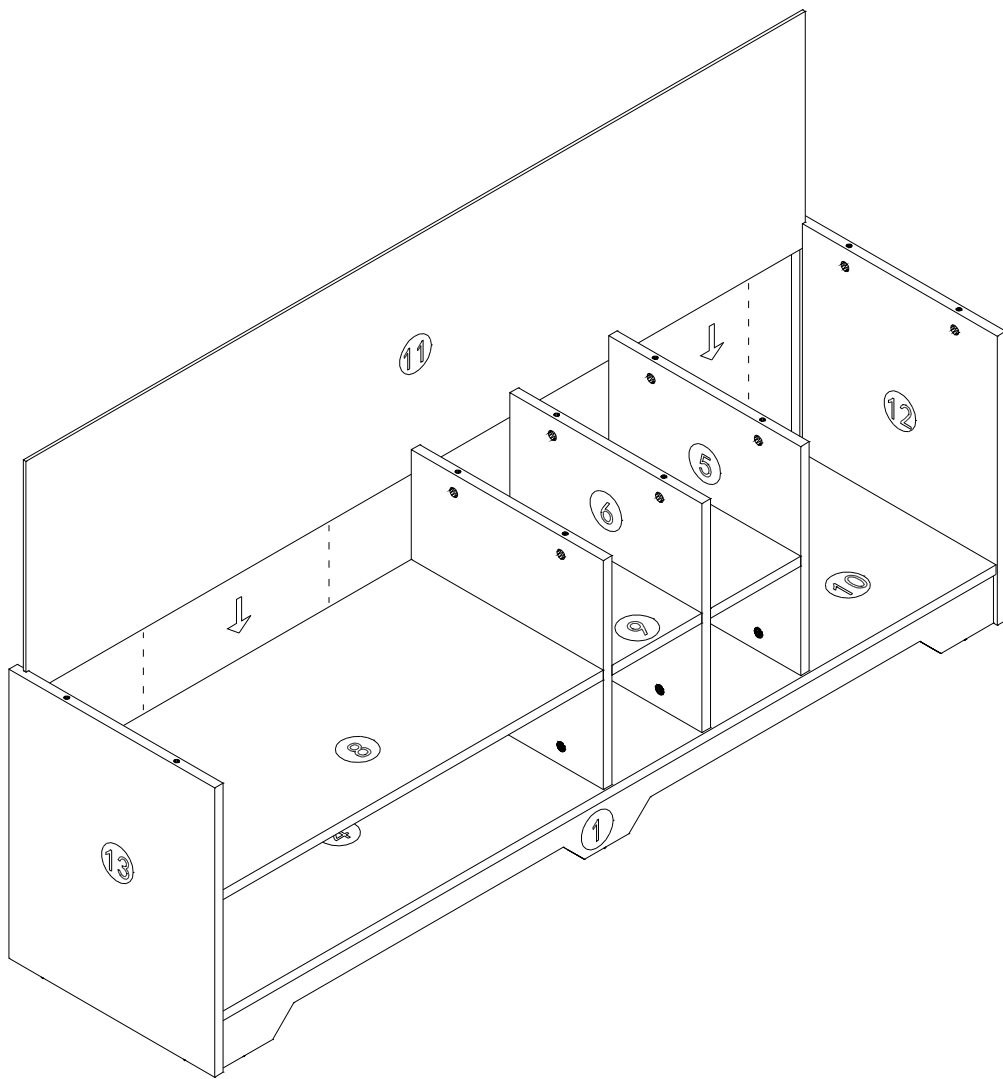
[X 14]

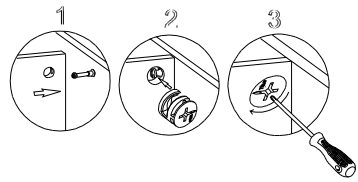
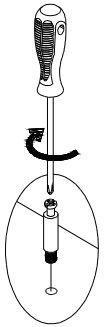
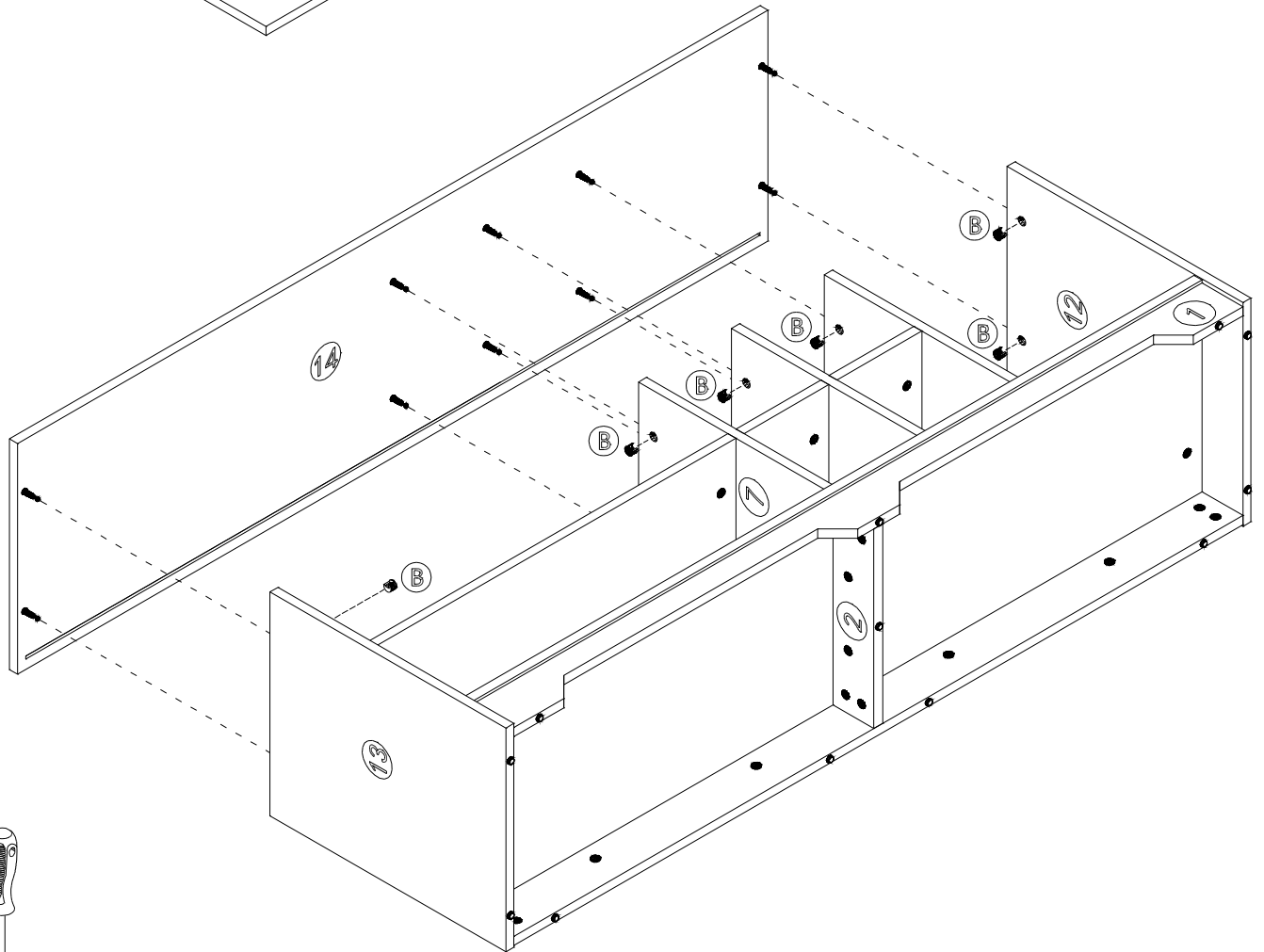
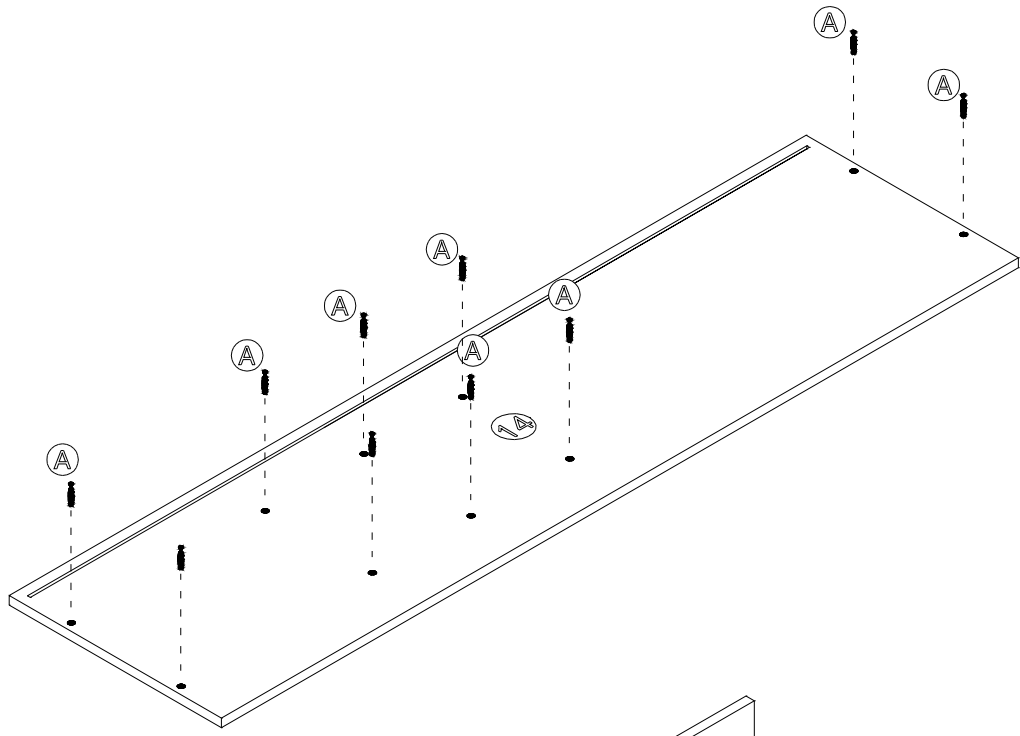



(B)



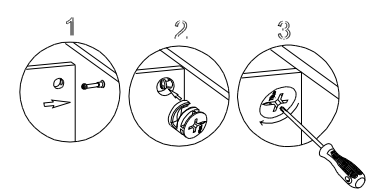
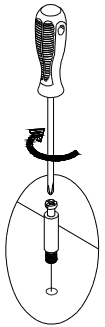
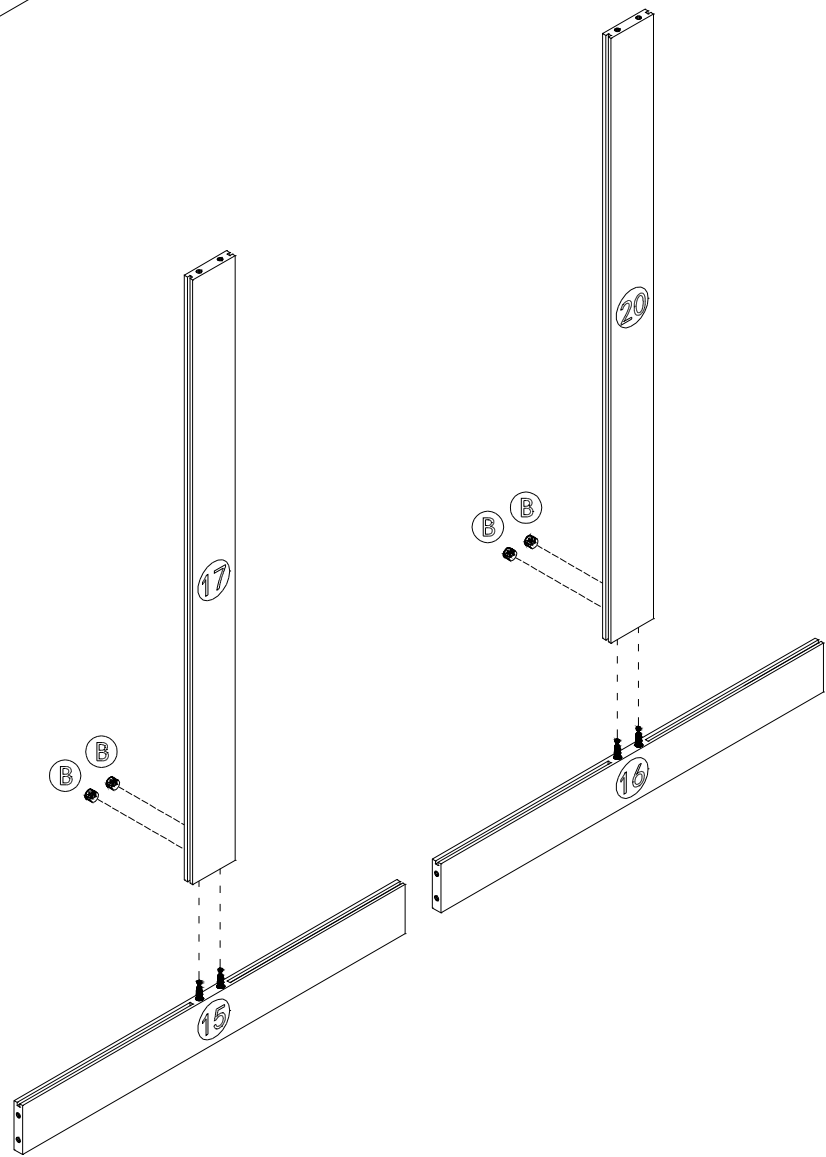
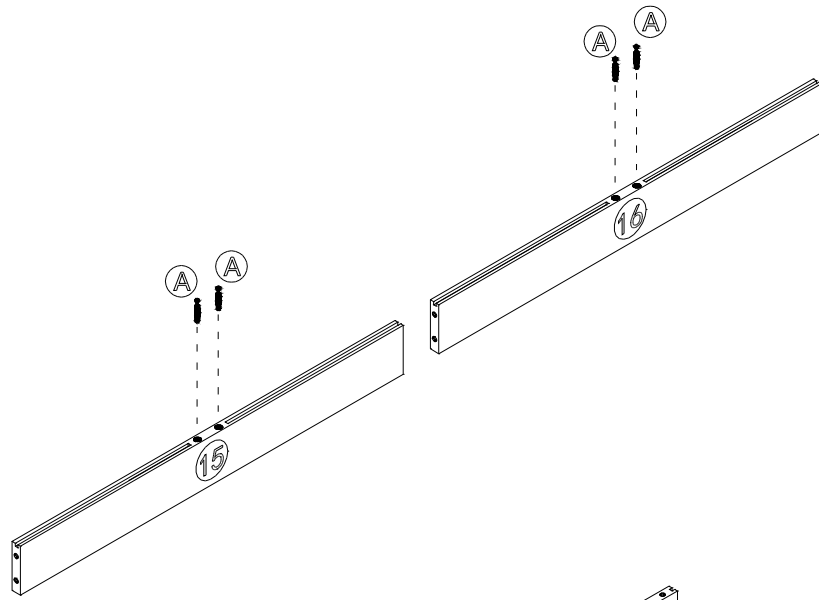
[X16]






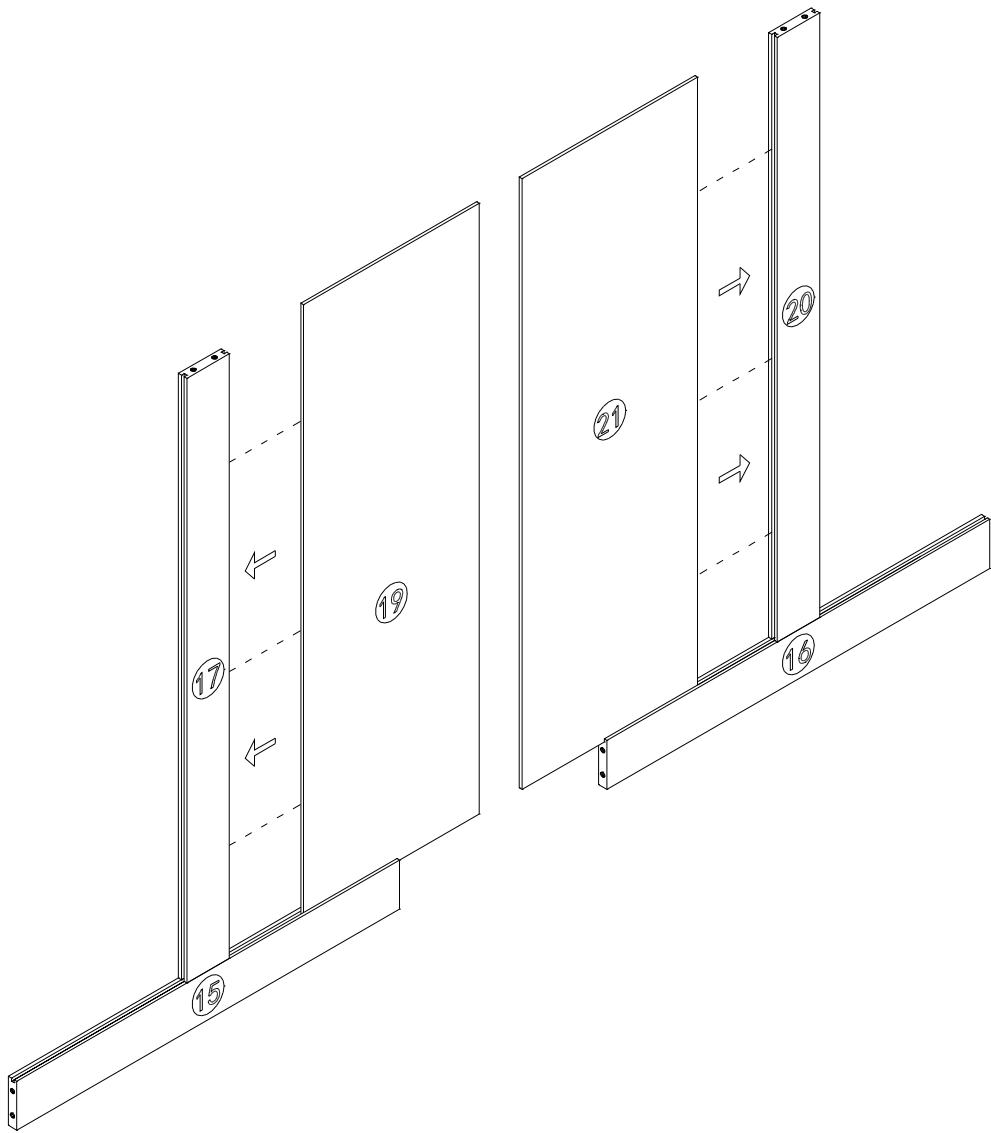
A  **[× 10]**

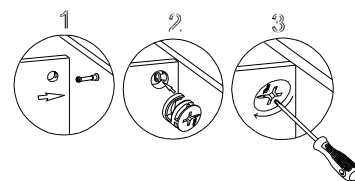
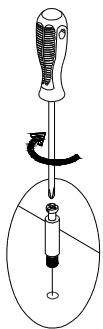
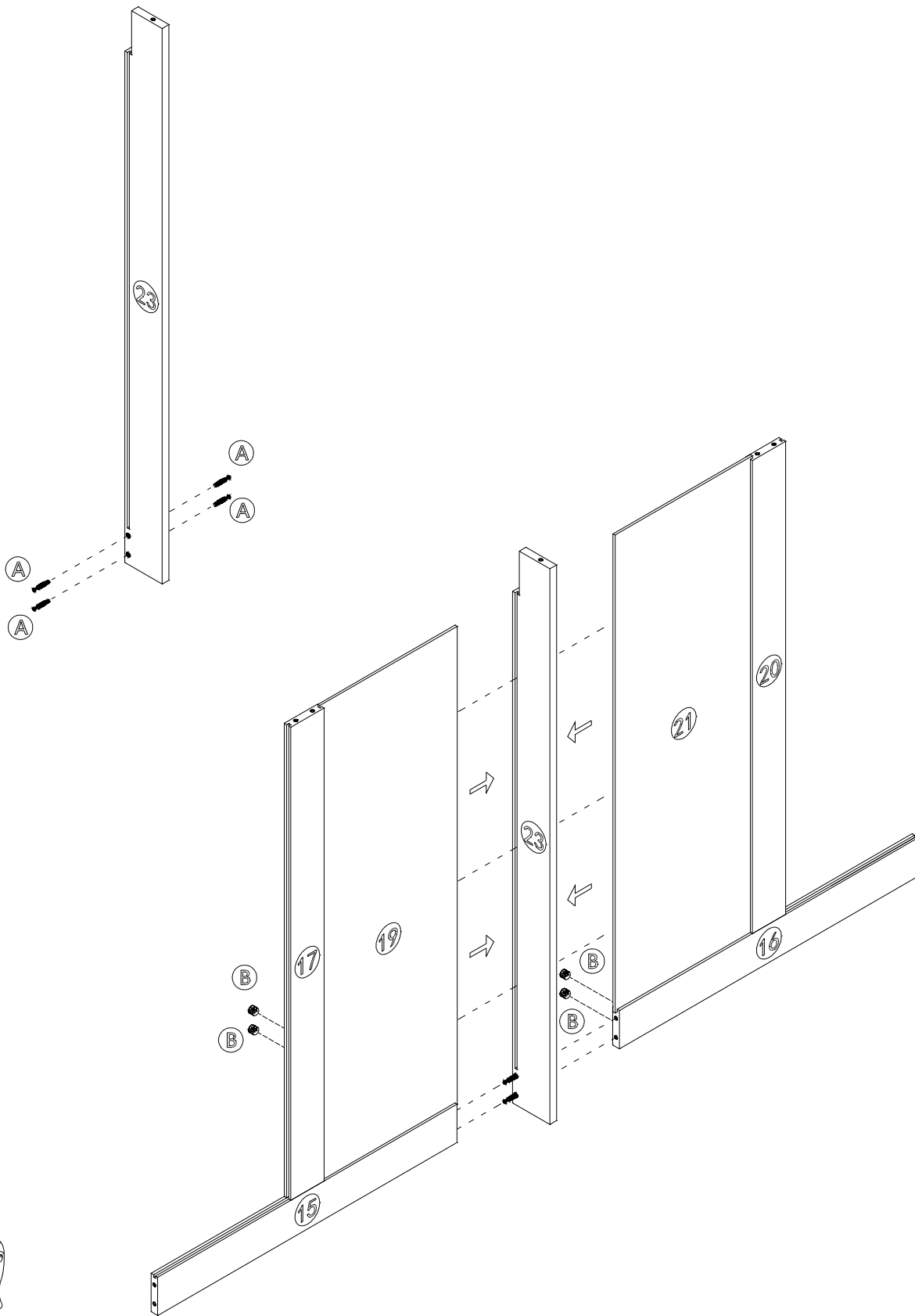
B  **[× 10]**



(A)  [×4]

(B)  [×4]





A

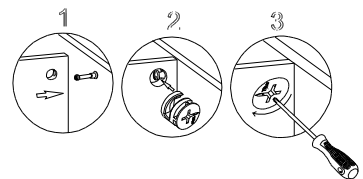
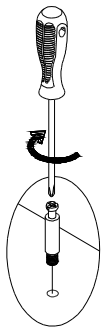
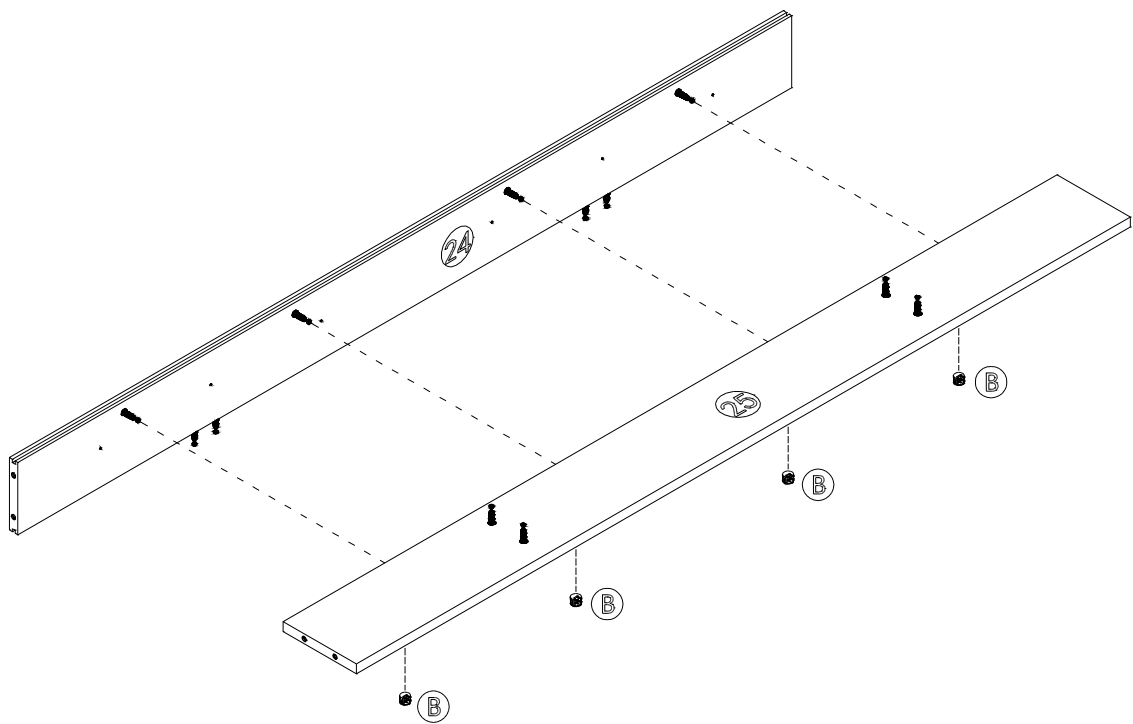
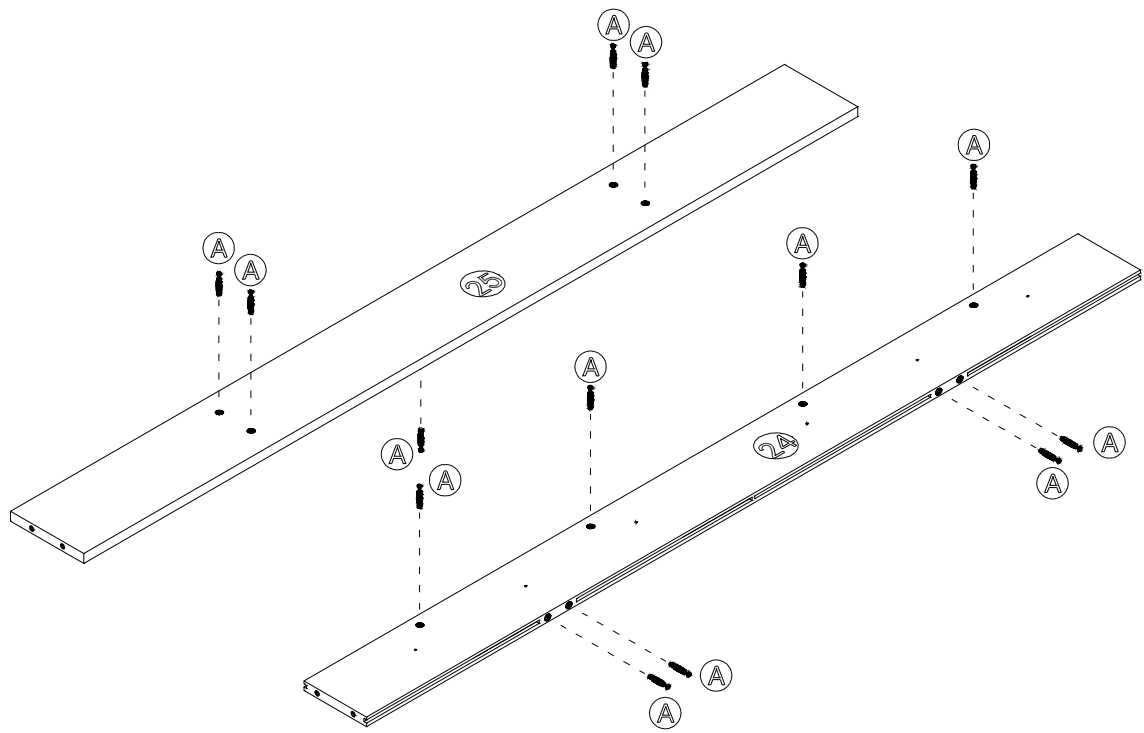


[× 4]

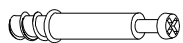
B



[× 4]



A

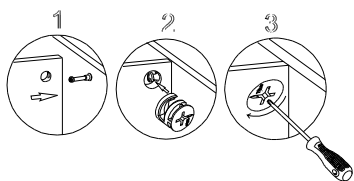
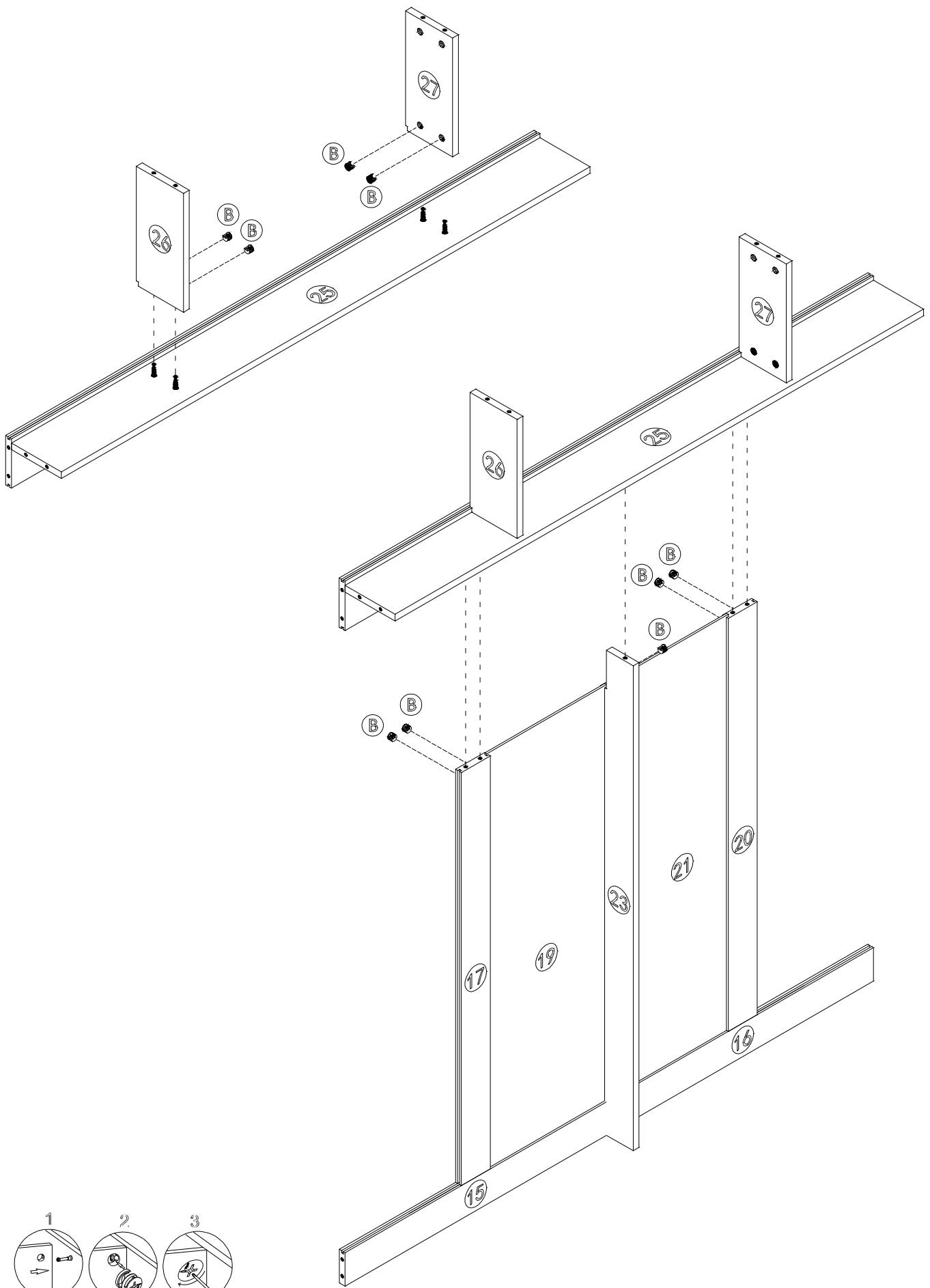


[× 13]

B



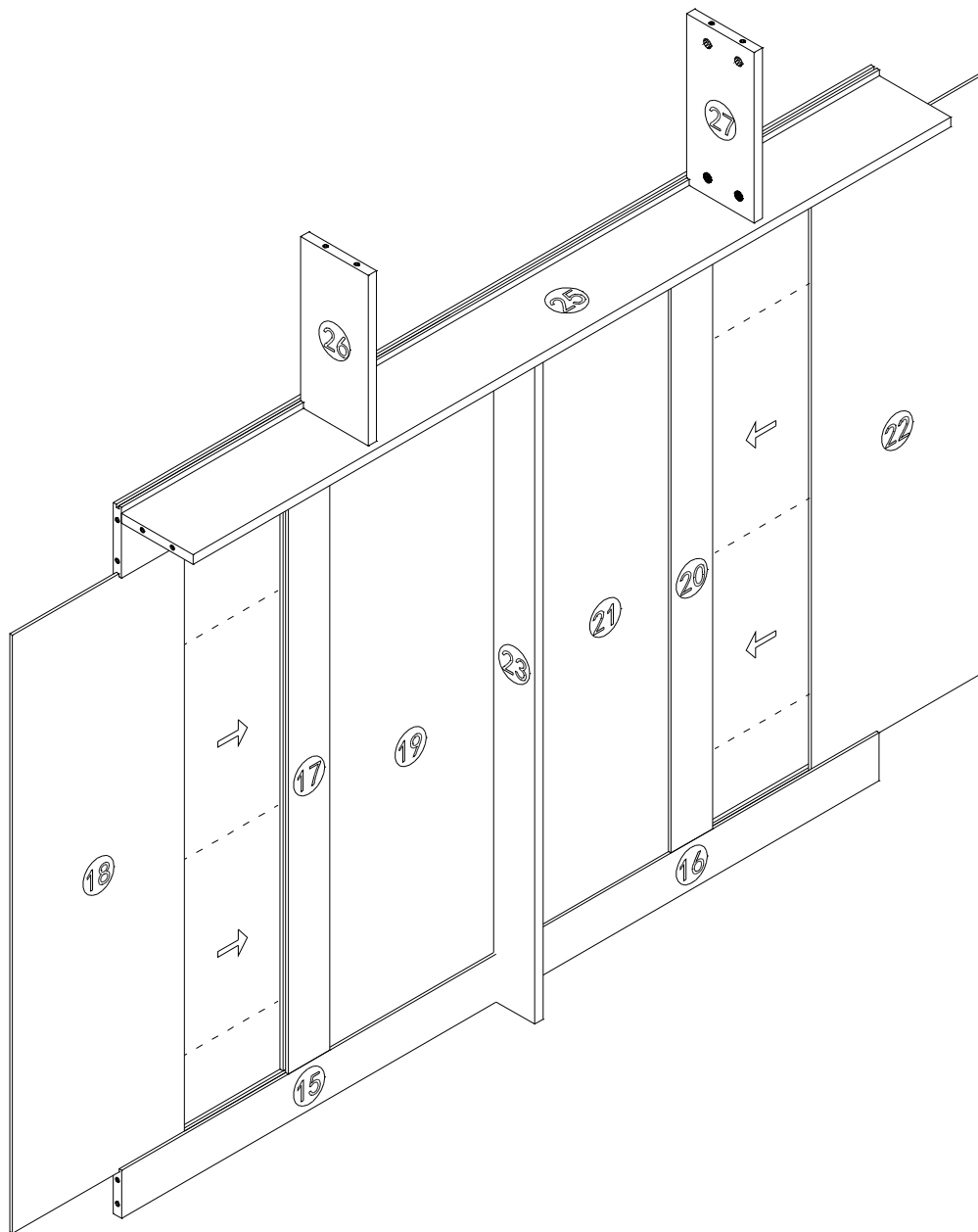
[× 4]

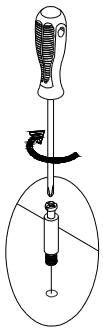
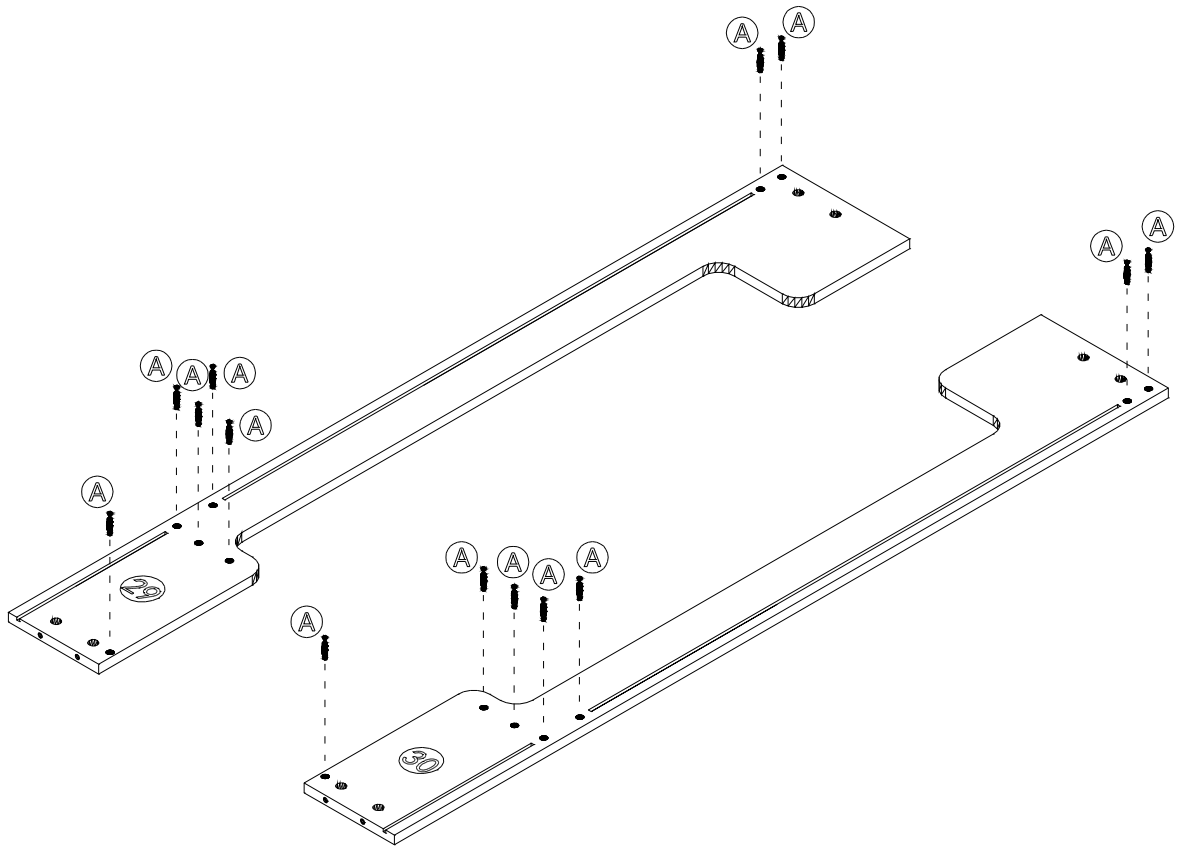


(B)



【×9】

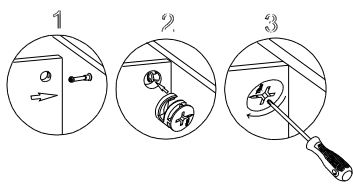
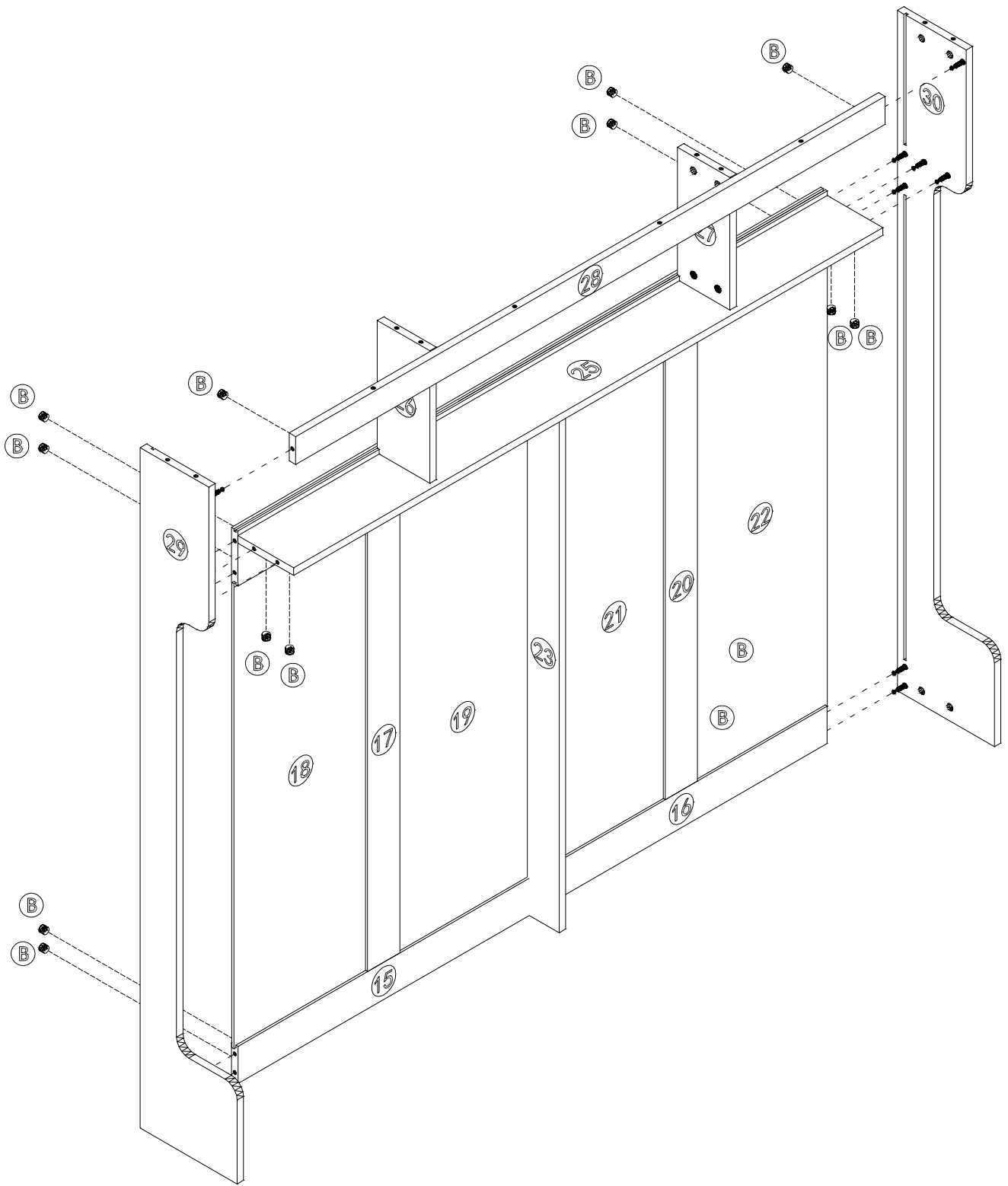




A



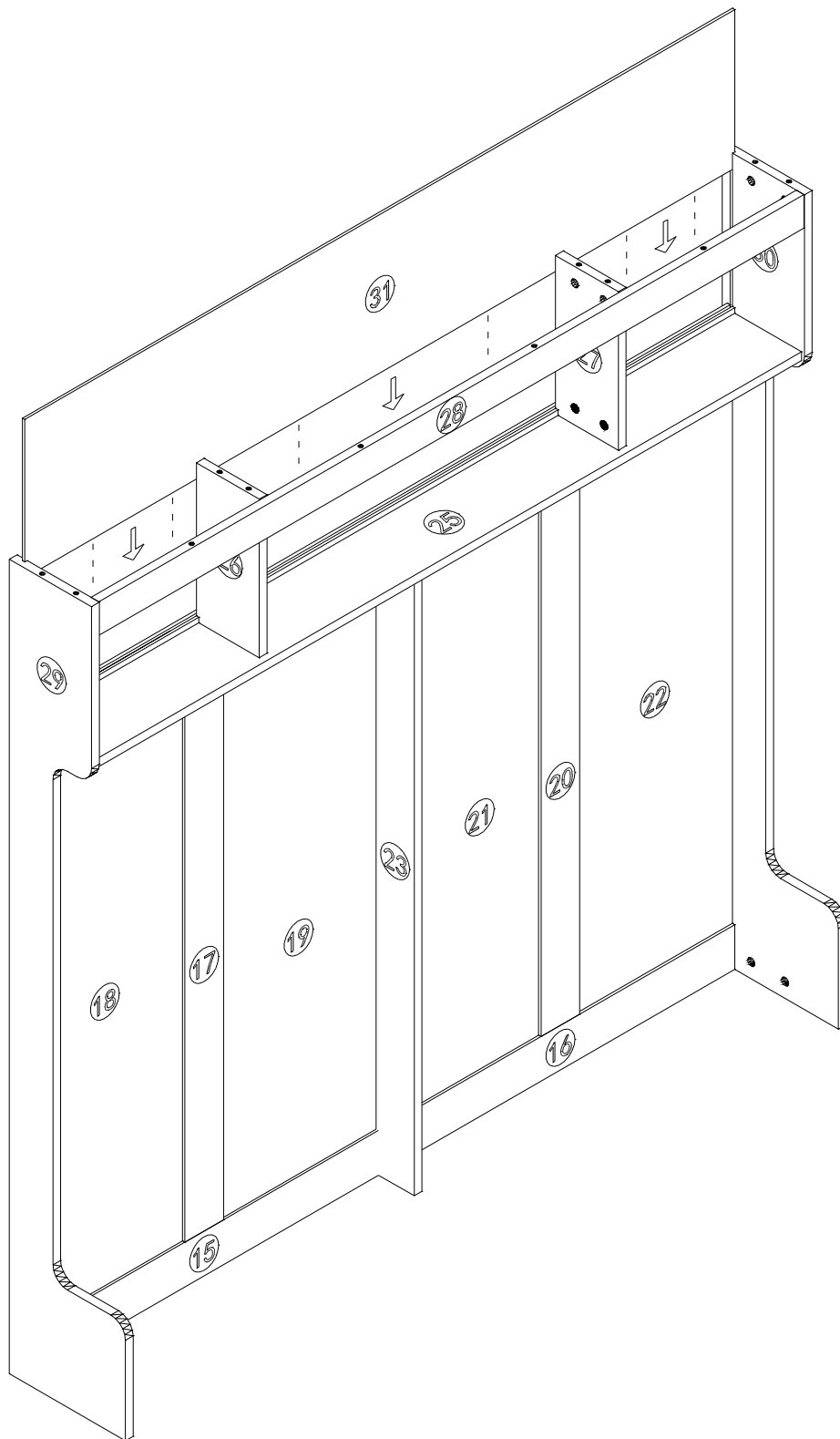
[× 14]

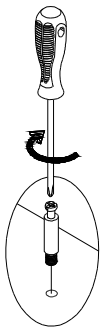
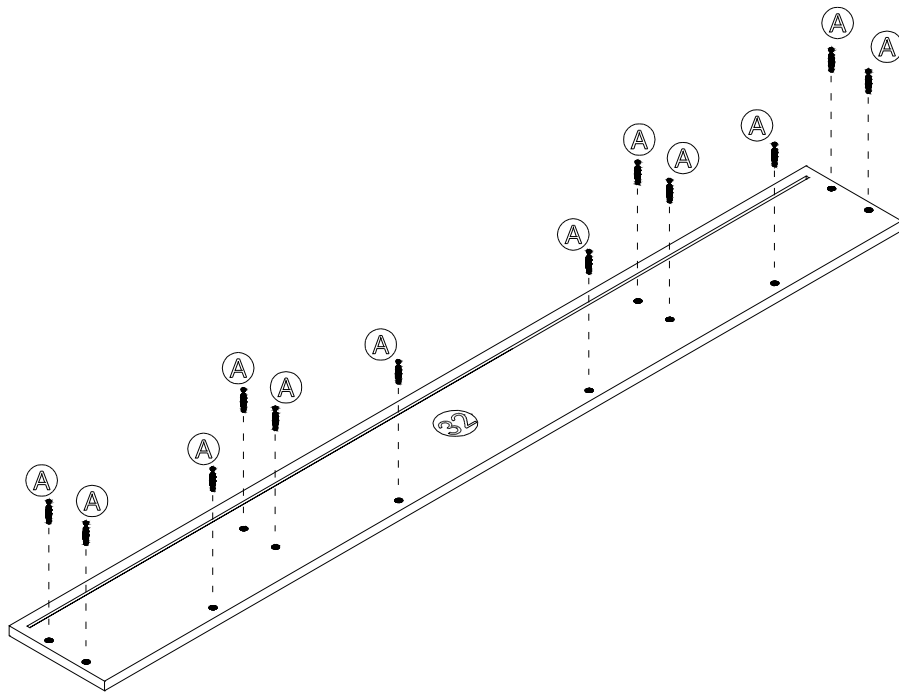


(B)



[× 14]

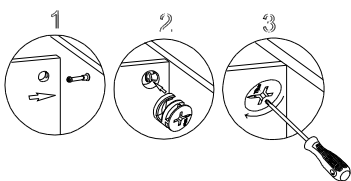
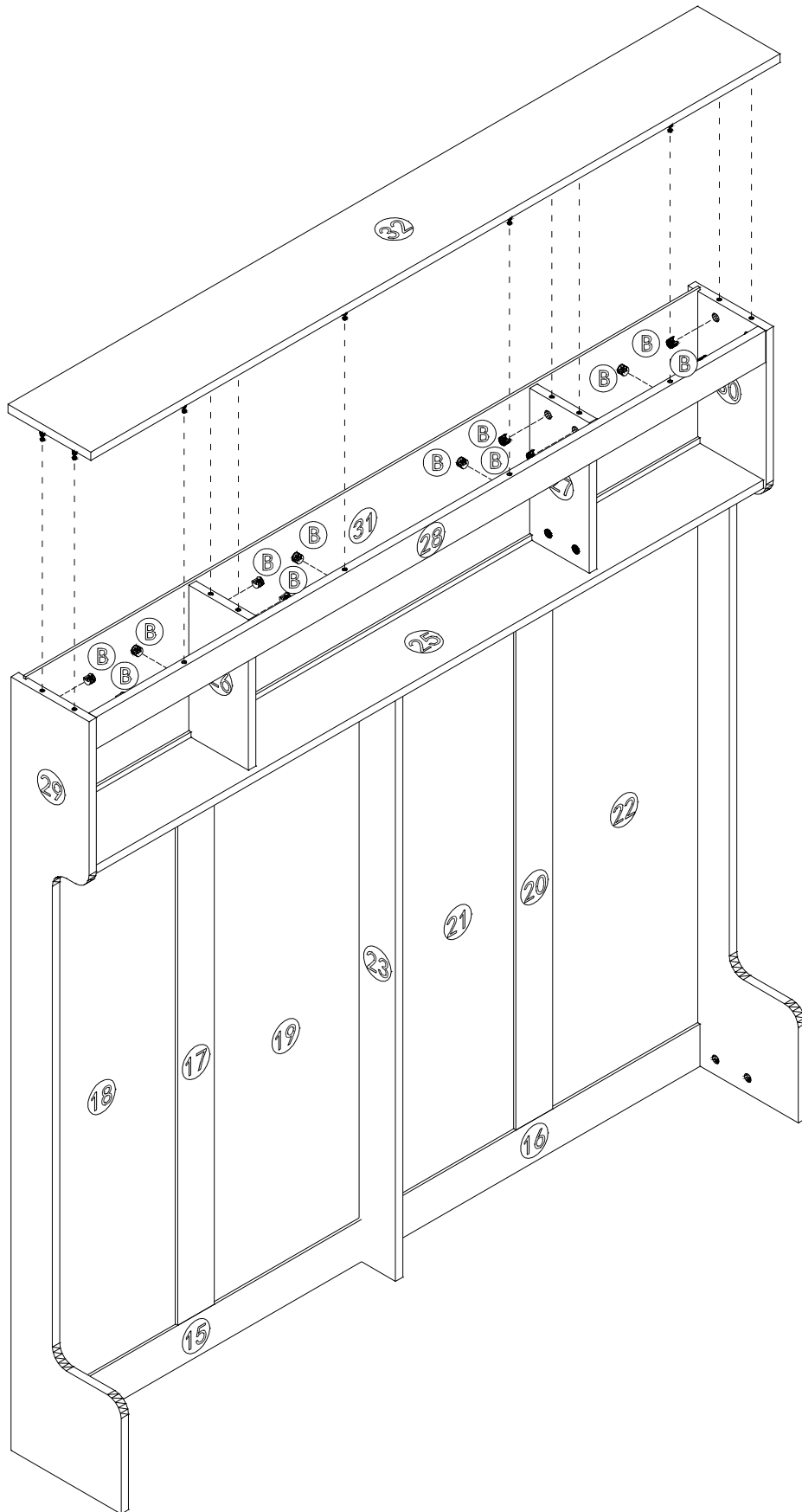




A



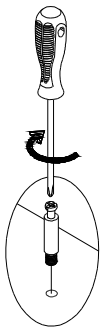
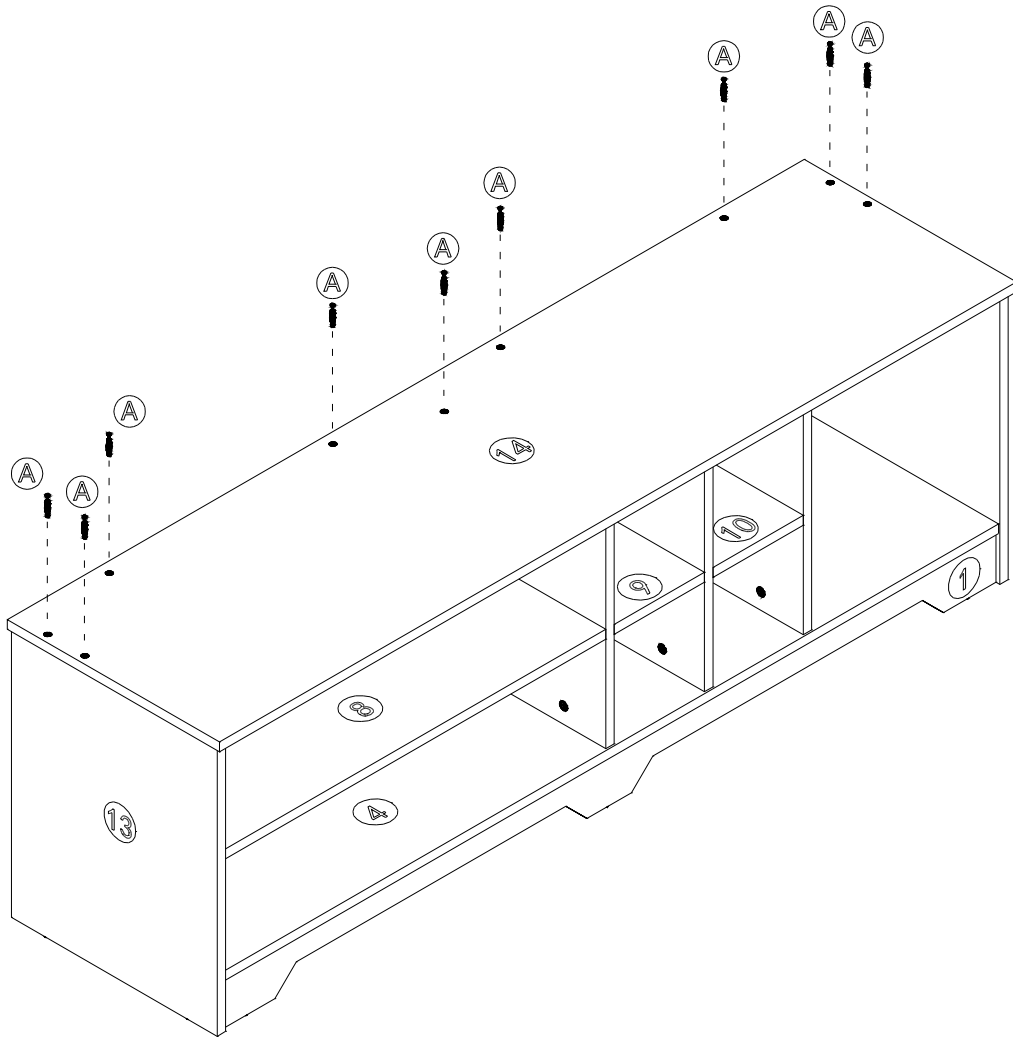
[× 12]



(B)



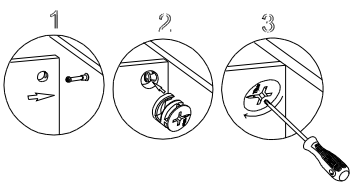
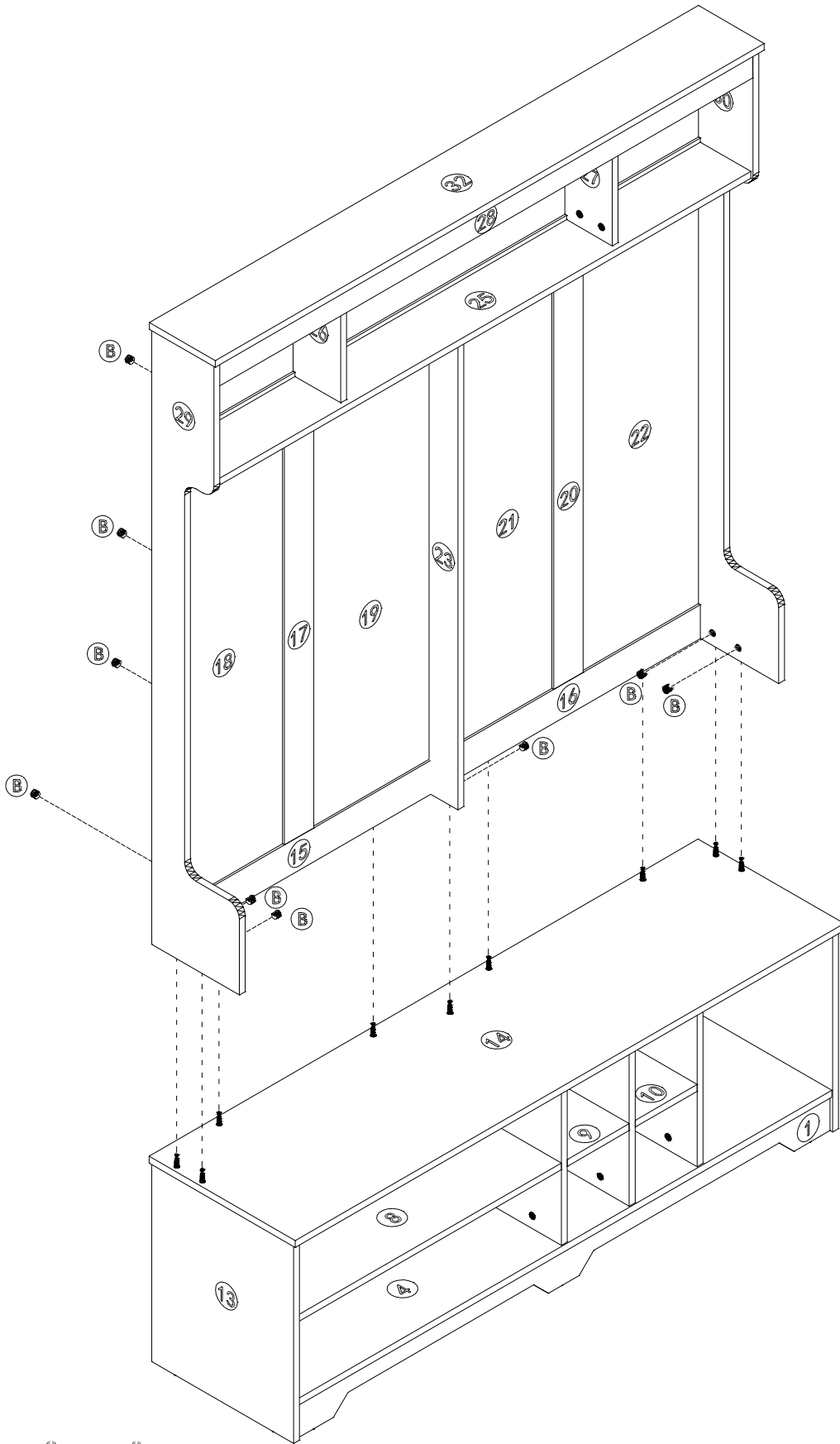
[X12]



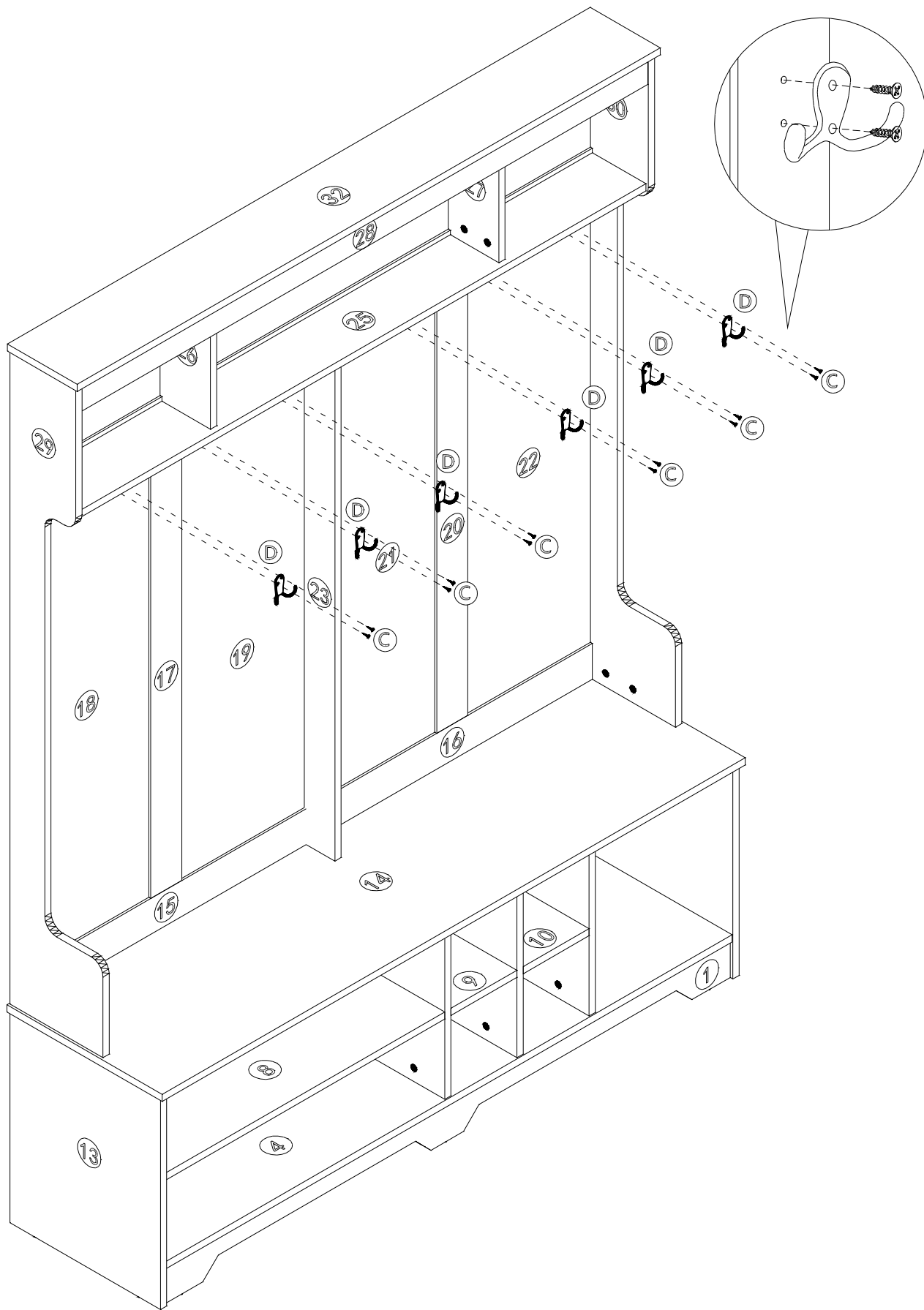
A

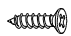


[× 9]



【×9】



Ⓒ  [×12]

Ⓓ



[×6]