

# ASSEMBLY INSTRUCTIONS



## CAUTION

◆ Inspect the wire insulation for any cuts, abrasions, or exposed copper that may have resulted during shipping. If there is a defect in the wire, do not attempt installation.

◆ Before starting installation of this fixture or removal of a previous fixture, disconnect the power by turning off the circuit breaker or by removing the fuse at the fuse box.

✉ If you need further assistance, please contact us by Email: [customersupport@superiordecorinc.com](mailto:customersupport@superiordecorinc.com)

## TOOLS REQUIRED



Ladder



Safety glasses



Electrical tape



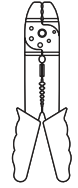
Phillips screwdriver



Flat blade screwdriver



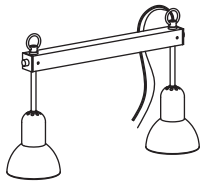
Pliers



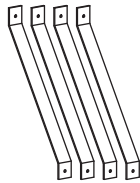
Wire strippers

\* PARTS SHOWN MAY DIFFER SLIGHTLY PER LIGHT FIXTURE

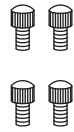
## HARDWARE INCLUDED



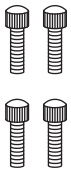
Fixture



Bracket



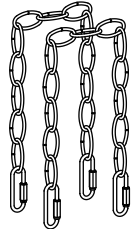
Short Decorative Screws



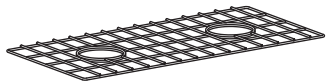
Long Decorative Screws



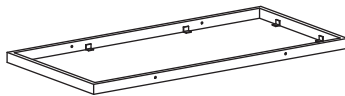
Decorative Nuts



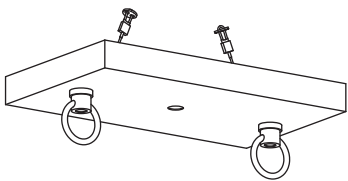
Chain



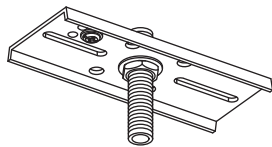
Decorative Net



Iron Rack



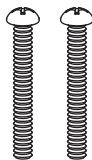
Ceiling Plate



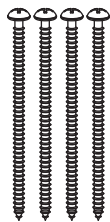
Mounting Unit



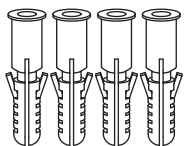
Ball Nut



Mounting Screws



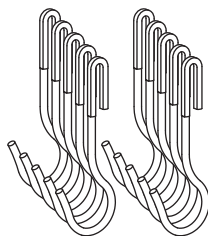
Wood Screws



Plastic Anchors

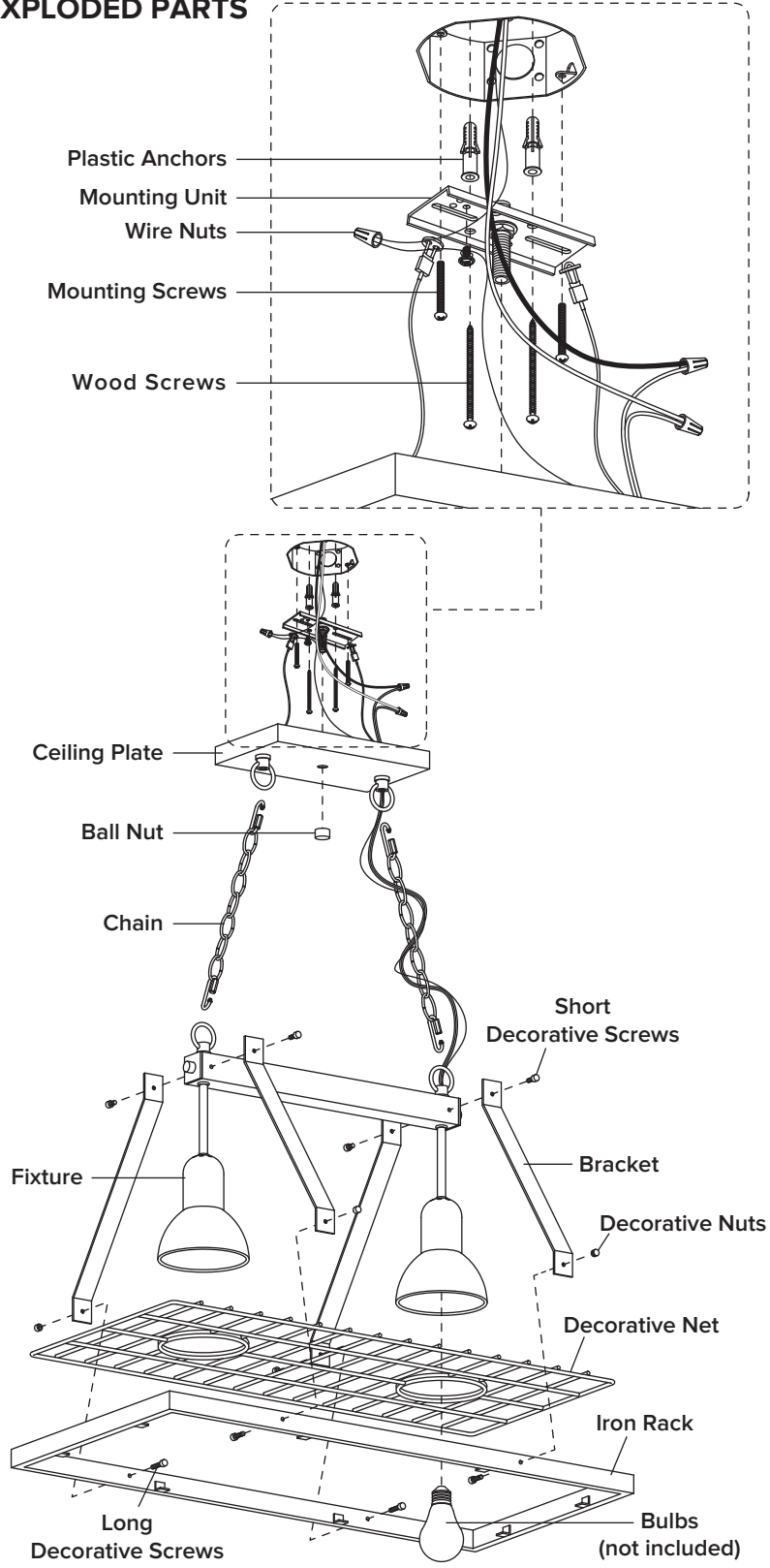


Wire Nuts



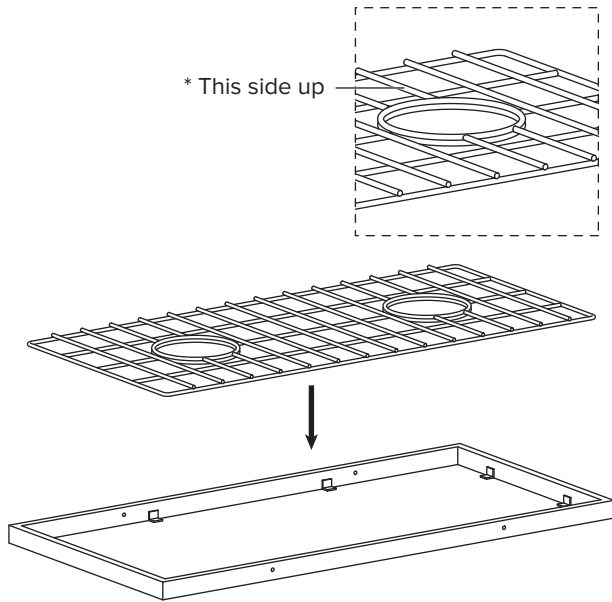
Hook

## EXPLODED PARTS



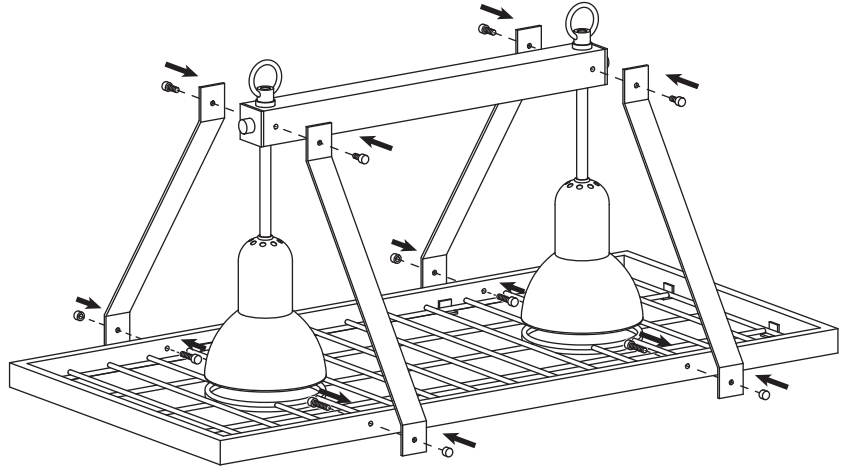
### STEP 1

Place the decorative net onto the iron rack.



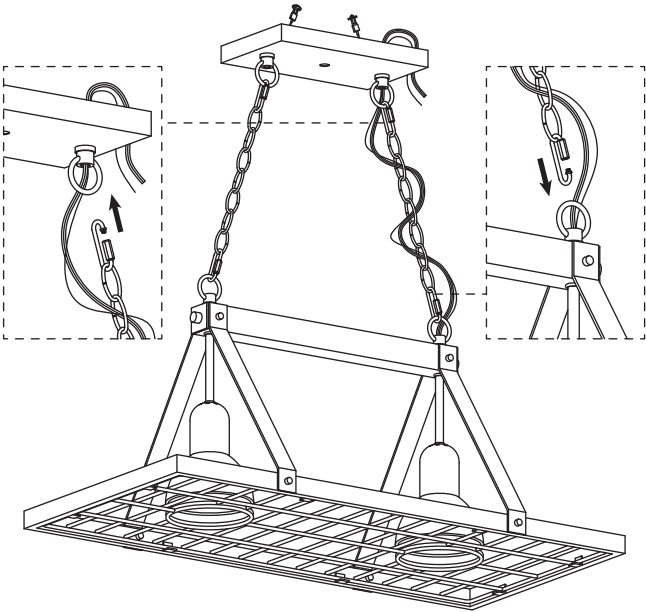
### STEP 2

1. Attach the **bracket** into **fixture** using **short decorative screws**.
2. Attach the **bracket** to the **iron rack** through screw holes, and secure it with **long decorative screws** and **decorative nuts**.



### STEP 3

1. Open up the quick link from both sides. Attaching them to ceiling plate and fixture.
2. Weave the fixture wire and the fixture ground wire through the **chain** and **ceiling plate**, Close the quick link.

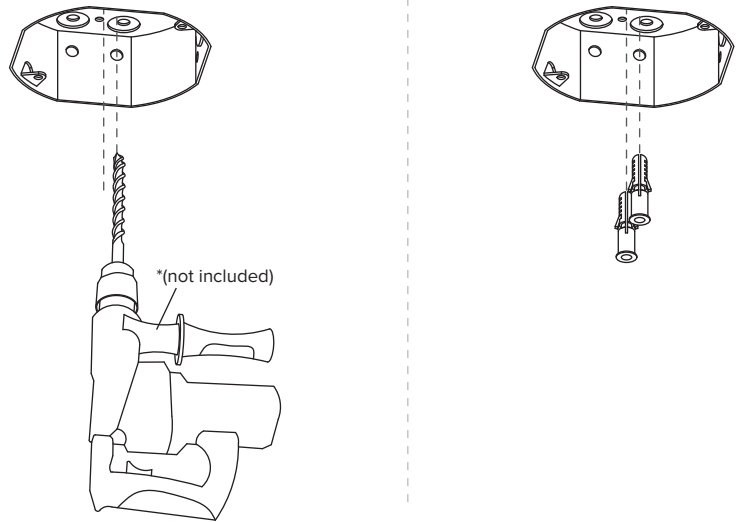


### STEP 4

1. Using a 3/8" (10mm) drill bit (not included) to drill holes in the marked areas.
2. Insert the **plastic anchors** into the drilled holes.

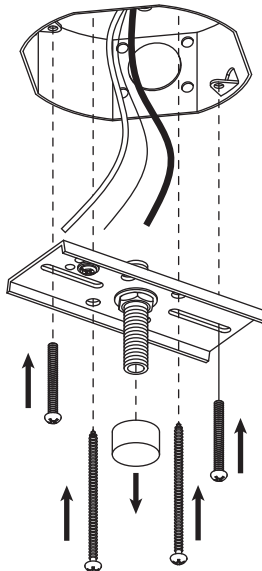
**CAUTION:** To hang fixtures weighing over 50 lbs.

The mounting unit must be supported independently of the ceiling junction box (not included). Recommend minimum of two plastic anchors (rated for 200 lbs. or greater).



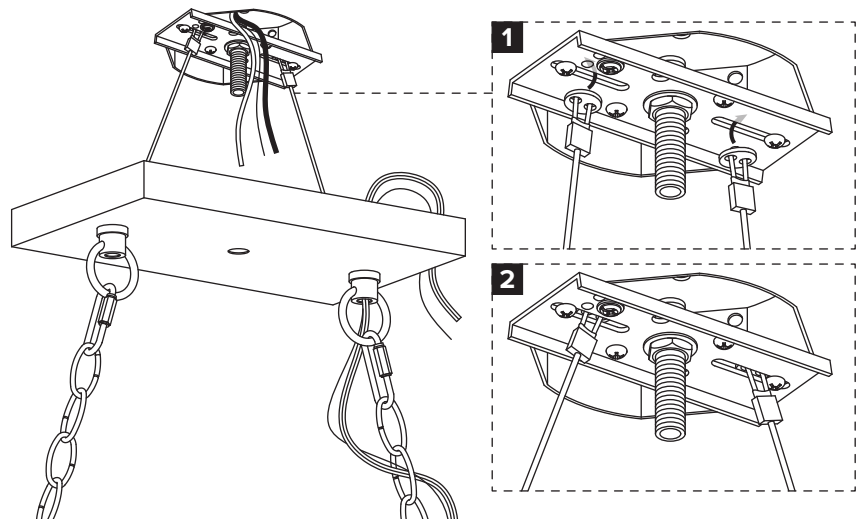
### STEP 5

1. Use the **mounting screws** and **wood screws** to attach the **mounting unit** to the **junction box** (not included).
2. Unscrew the **ball nut** from the **mounting unit**.



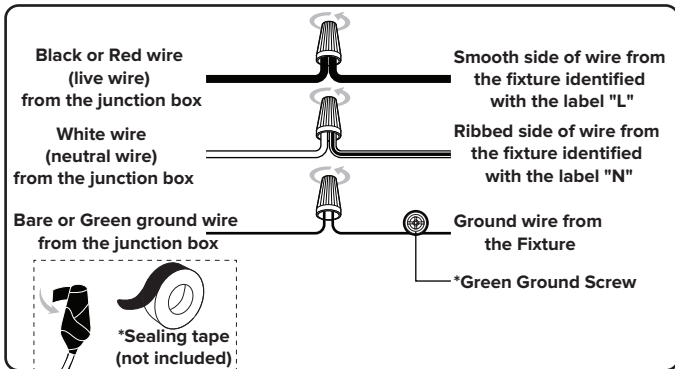
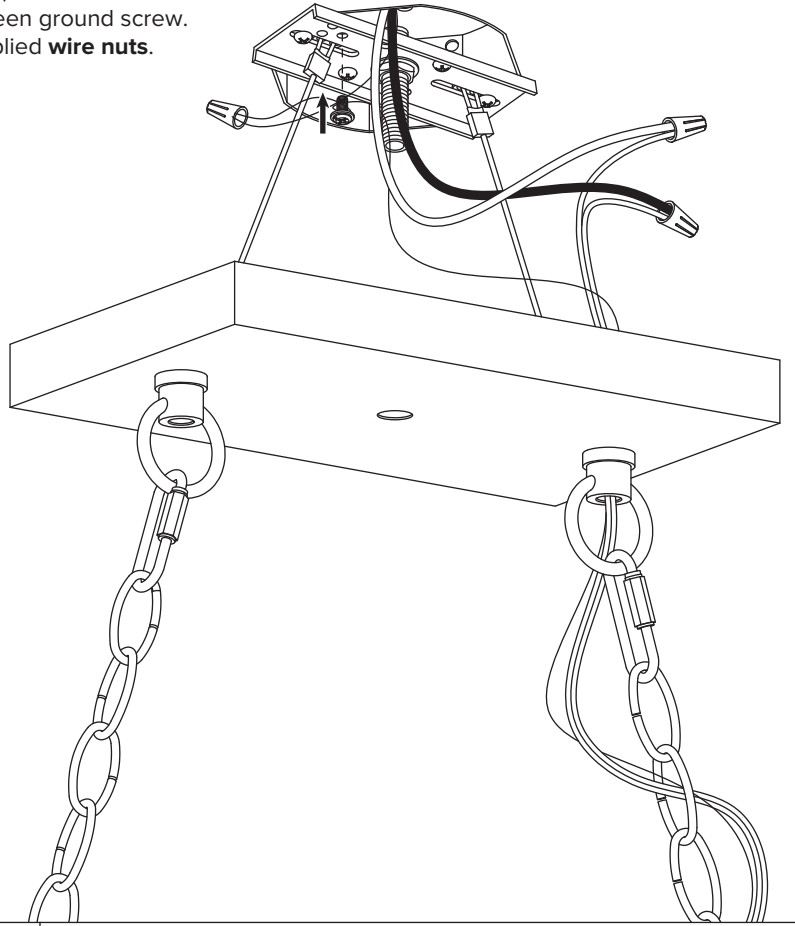
### STEP 6

Attach the lanyards on to the **mounting unit**.



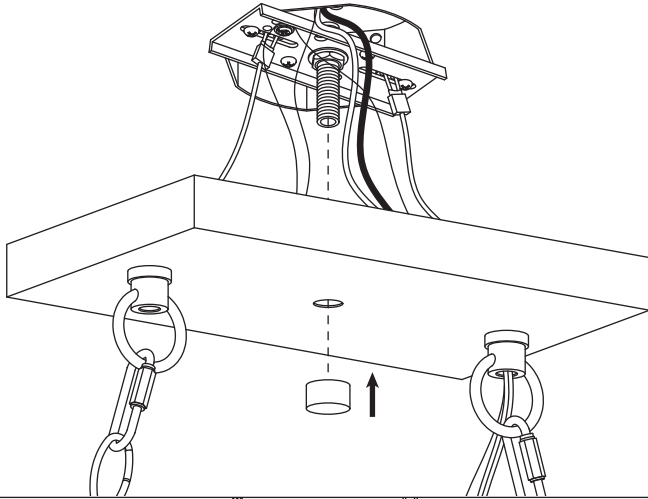
## STEP 7

1. Make the electrical connection from the junction box (not included) to the **fixture**. Connect the ground wire to the **mounting unit** by using the preinstalled green ground screw.
2. Connect the live wire, neutral wire and ground wires with the supplied **wire nuts**.
3. Secure with electrical tape (not included).



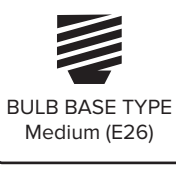
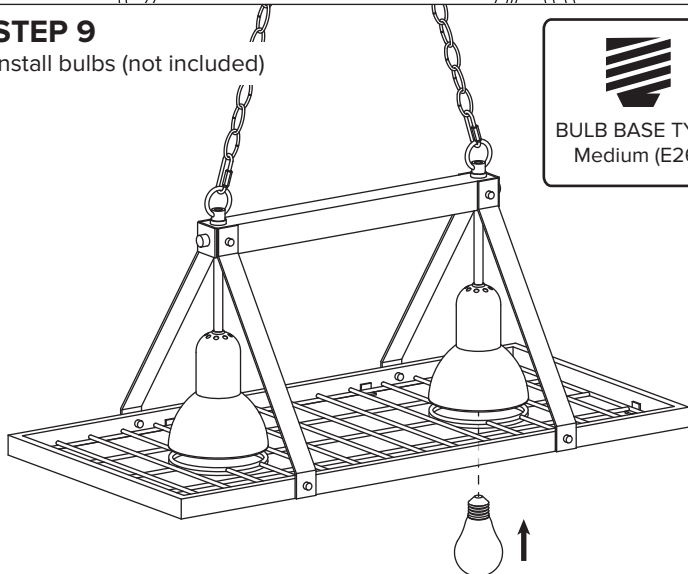
## STEP 8

Secure the ceiling plate to the **mounting unit** with the **ball nut**.



## STEP 9

Install bulbs (not included)



## STEP 10

Place the **hooks** onto the **iron ring**.

