



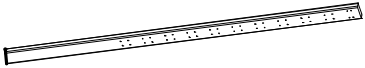






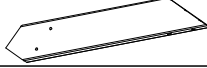












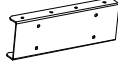




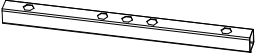
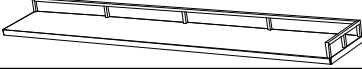
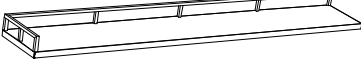

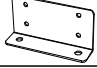


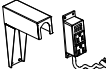

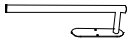



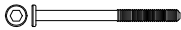


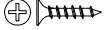
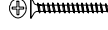
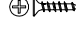
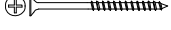


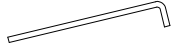

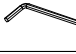

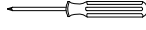





A1		1
A2		1
A3		1
A4		1
A5		1
A6		1
B1		2
B2		2
B3		4
C1		2
C2		2
D1		2
D2		2
D3		2
E		2
F		20
G1		1
G2		2
G3		2
G4		2
J1		4
J2		2


J3		2
K		2
L1		6
L2		2
L3		2
L4		1
L5		1
L6		2
M1		1
M2		1
P		10
S1		8
S2		2
U		1
V		1
W		1
X		1

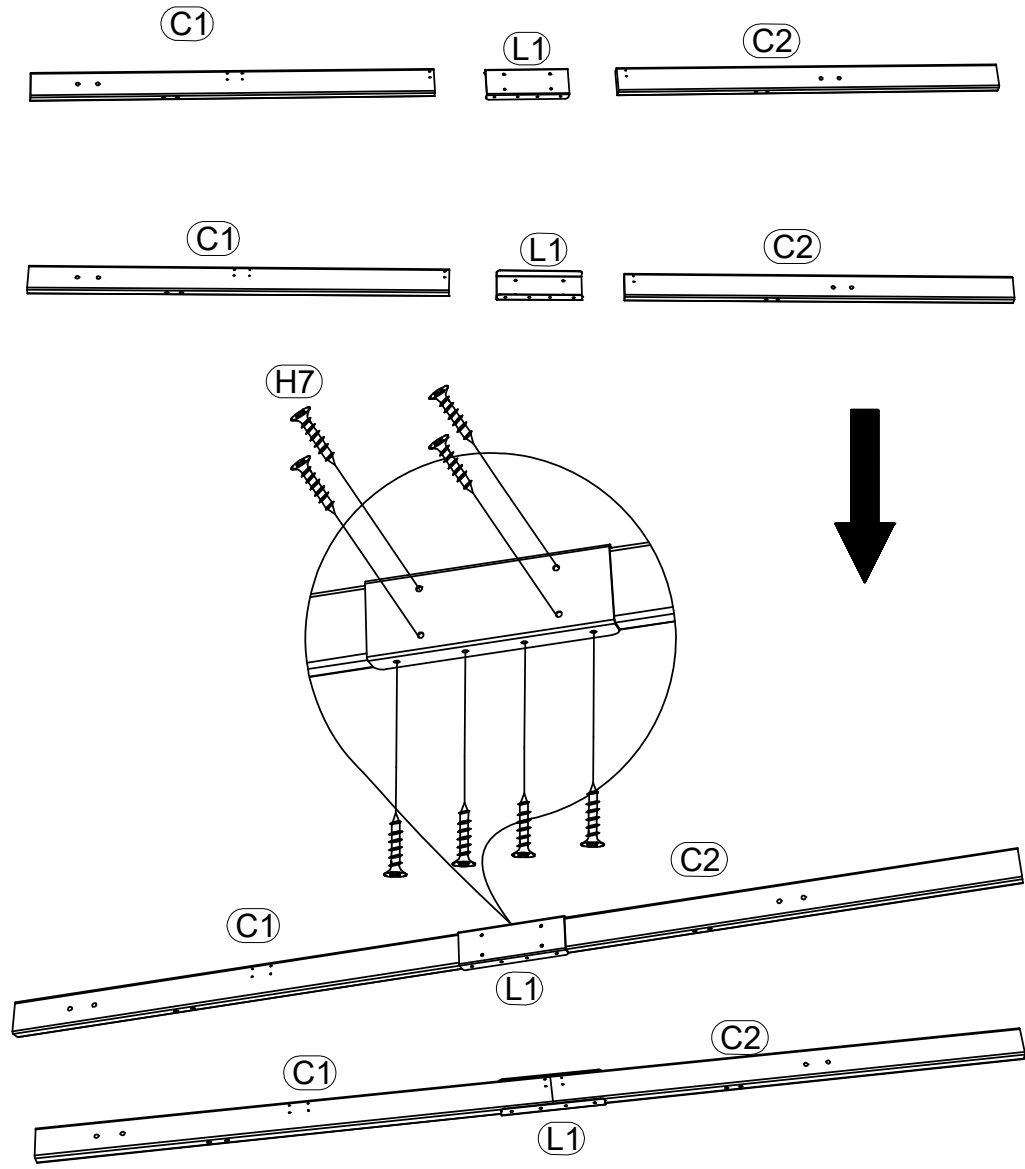
H1		M6X15	26
H2		M6X50	9
H3		M8x50	36
H4		M8x80	6
H5		M6-16	68
H6		M8-18	42
H7		M4X25	196
H8		M4X40	84
H9		M4X16	17
H10		M4X60	21
H11		M6X16	10
H12		RUBBER	10

HQ1		4X140	12
HQ2		M8X70	10
HW1		4MM-100	2
HW2		10-14	2
HW3			2





1

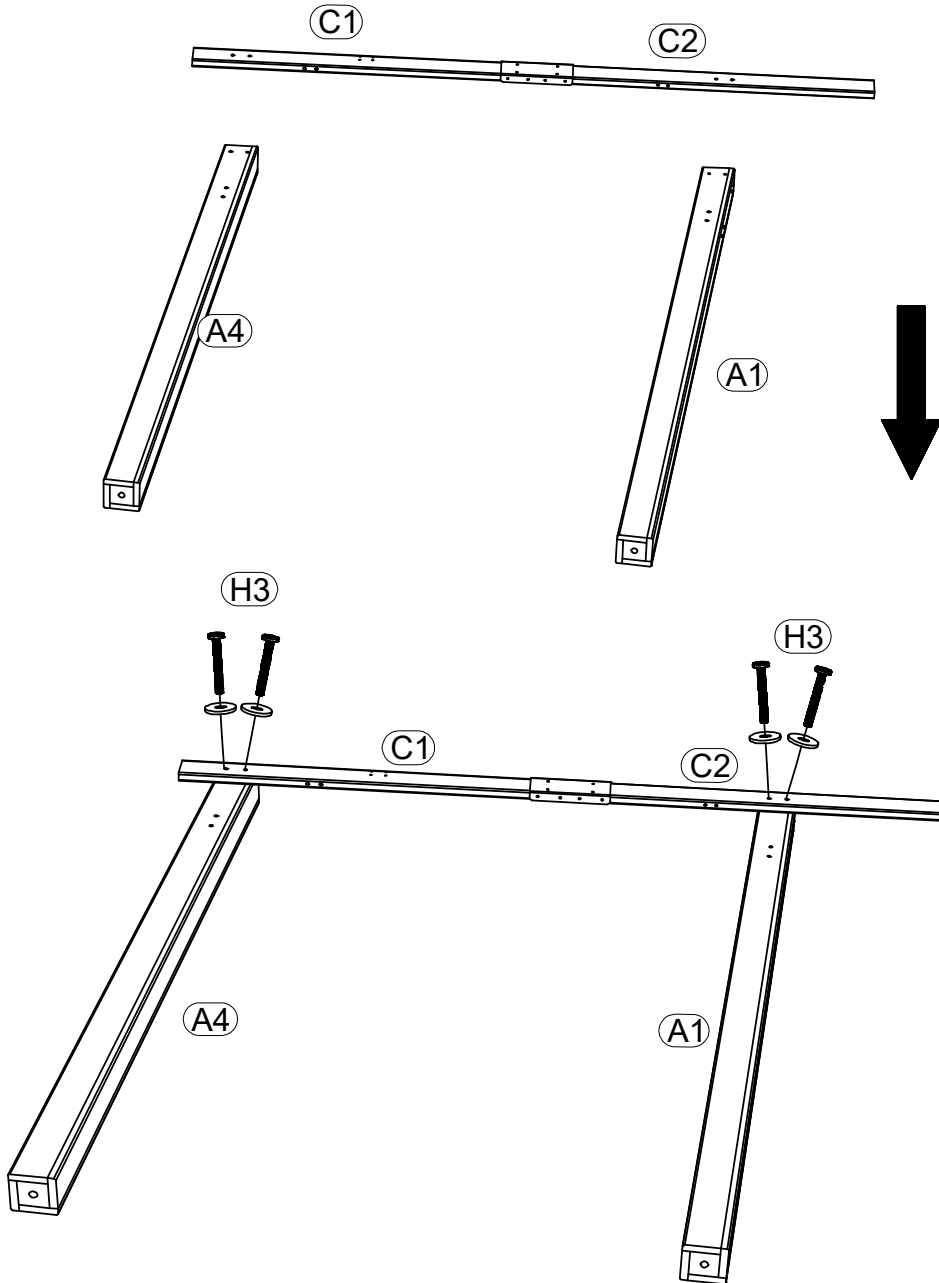
C1		2
C2		2
L1		2

H7		M4X25	16
----	--	-------	----






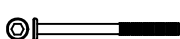

2

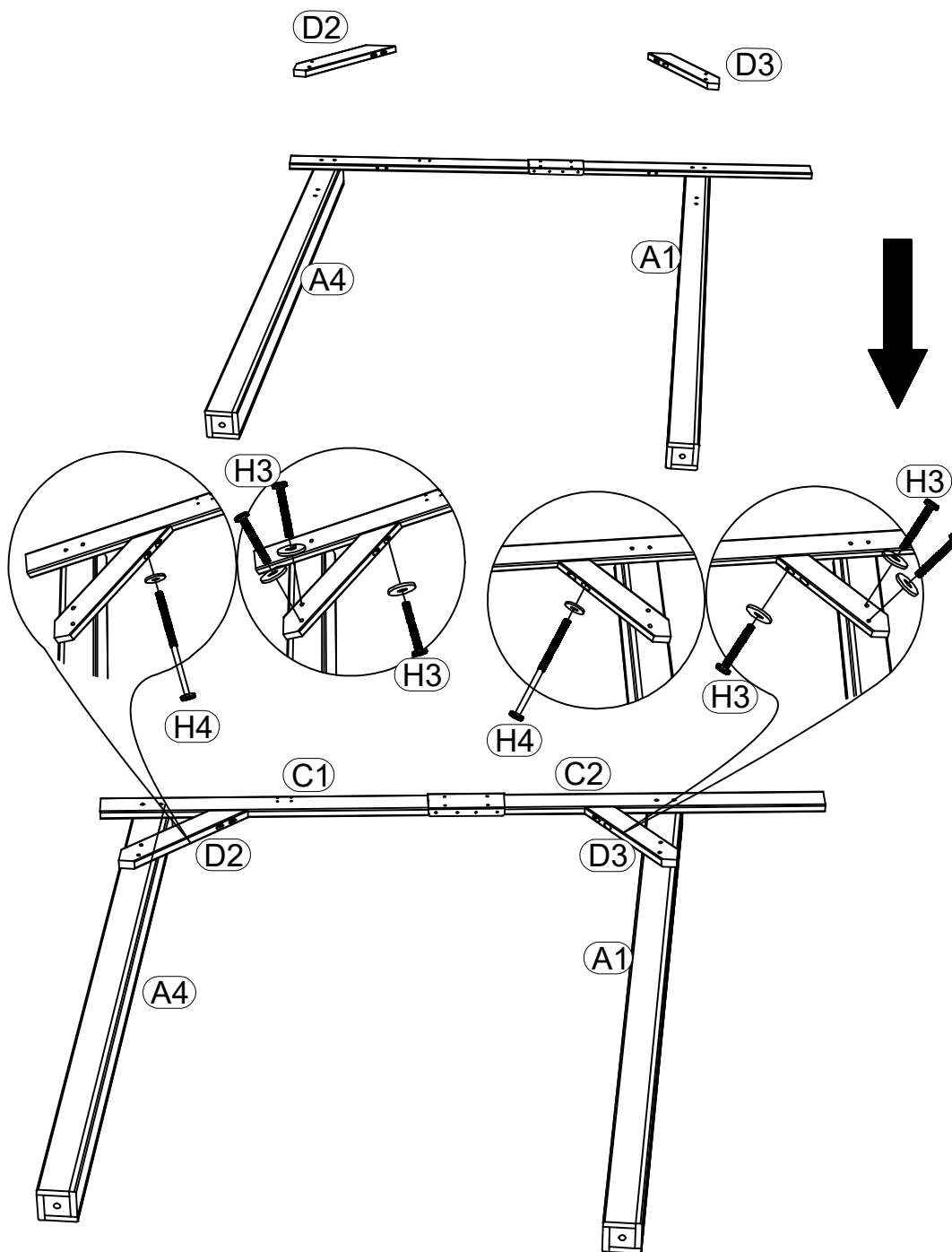
A1		1	H3		M8X50	4
A4		1	H6		M8-18	4





3



D3		1
D2		1

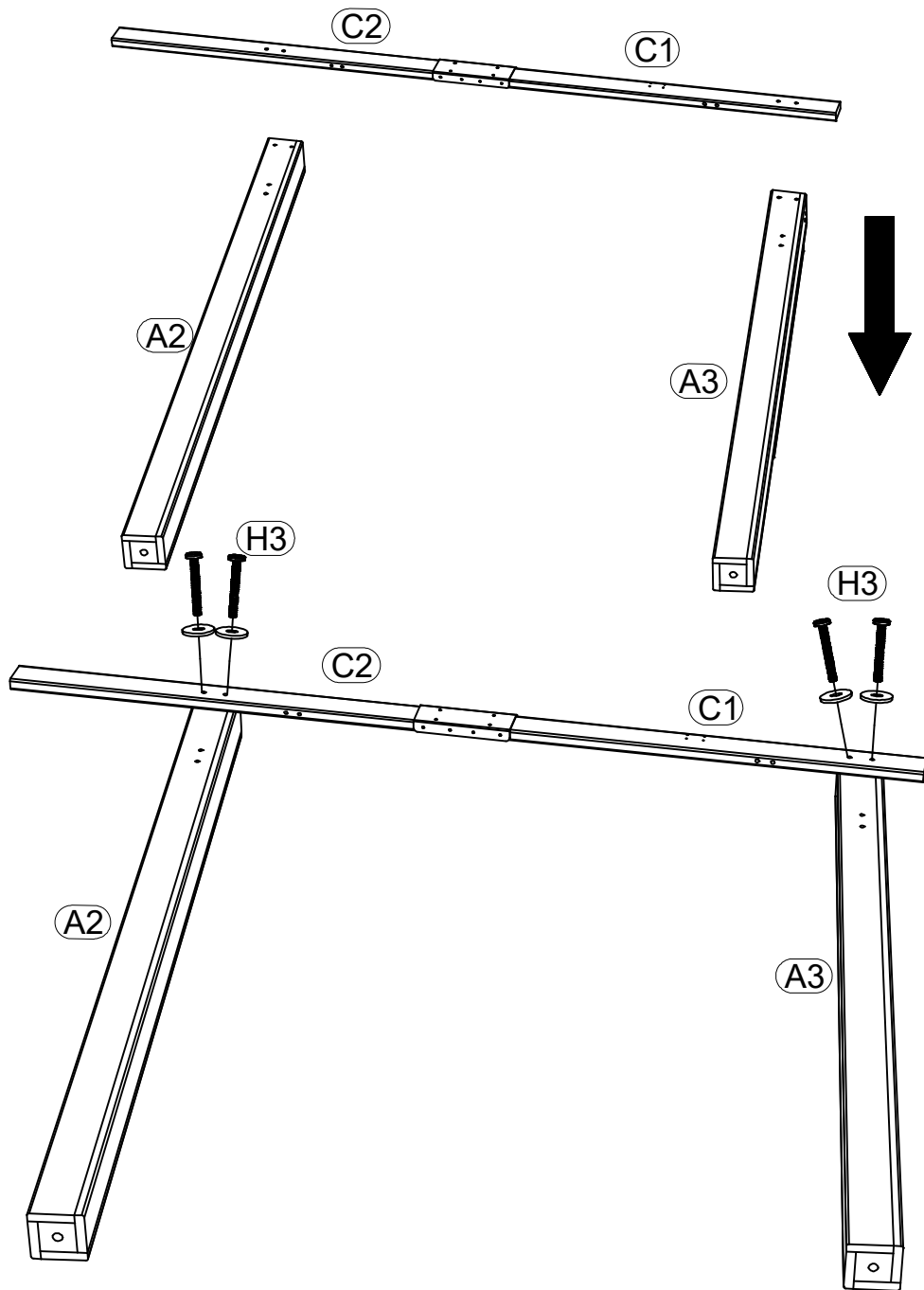
H3		M8X50	6
H4		M8x80	2
H6		M8-18	8





4


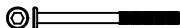

A2		1
A3		1

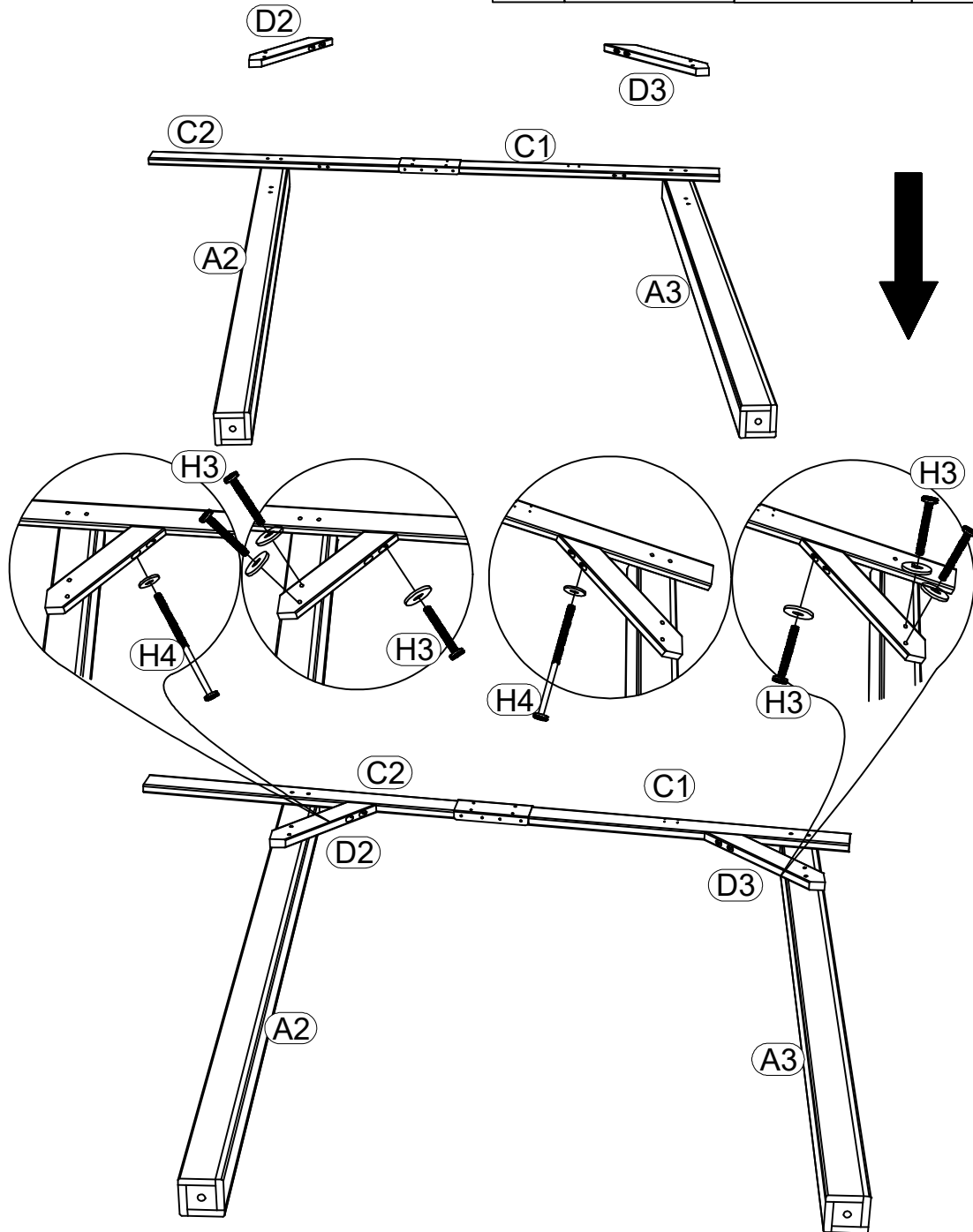
H3		M8X50	4
H6		M8-18	4



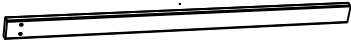
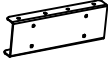
5


D3		1
D2		1

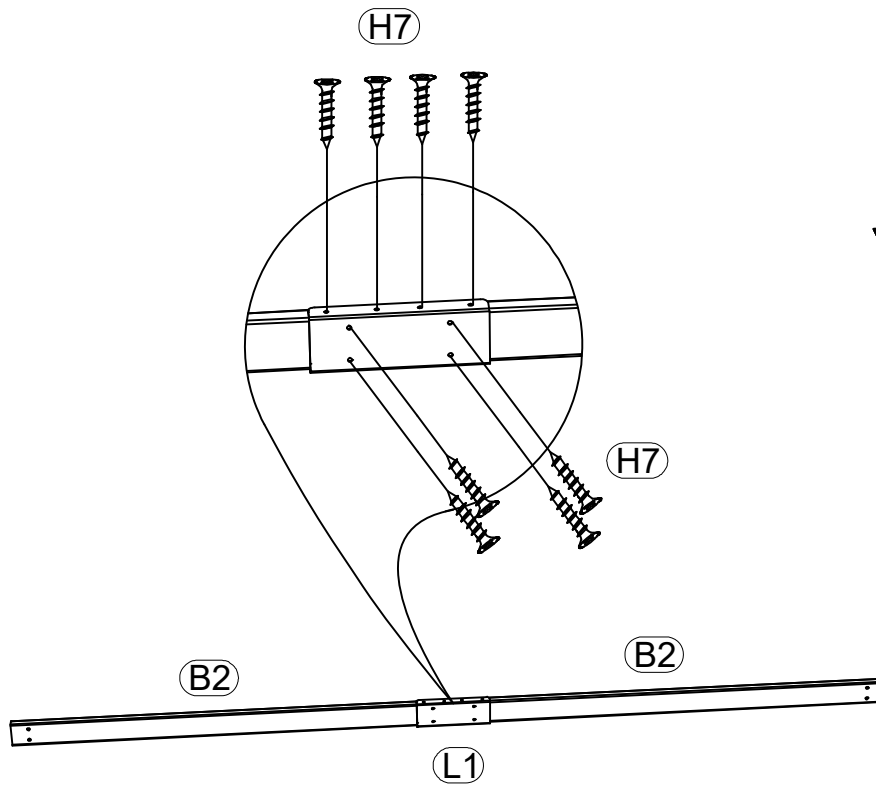
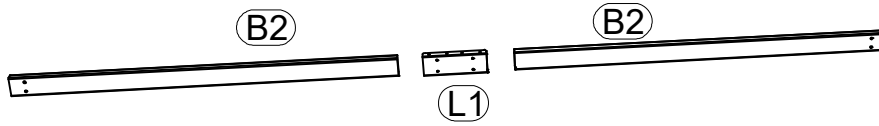
H3		M8X50	6
H4		M8X80	2
H6		M8-18	8



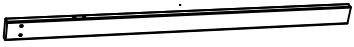
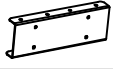
6


B2		1
L1		1

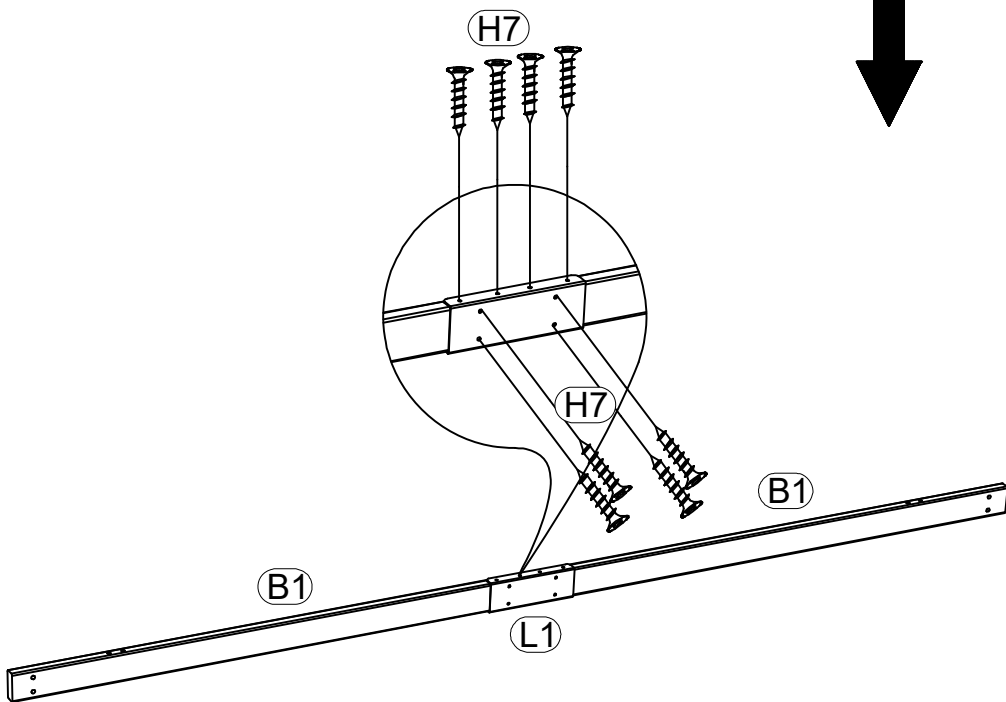
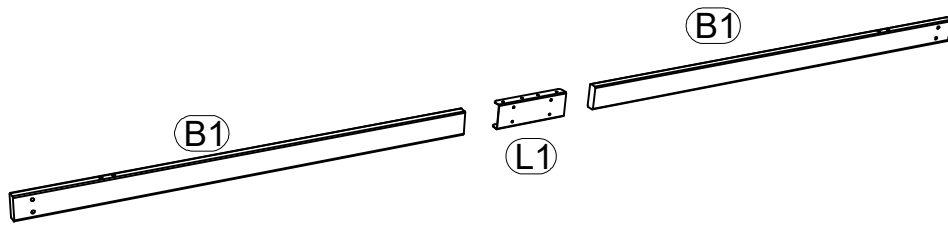
H7		M4X25	8
----	---	-------	---



7

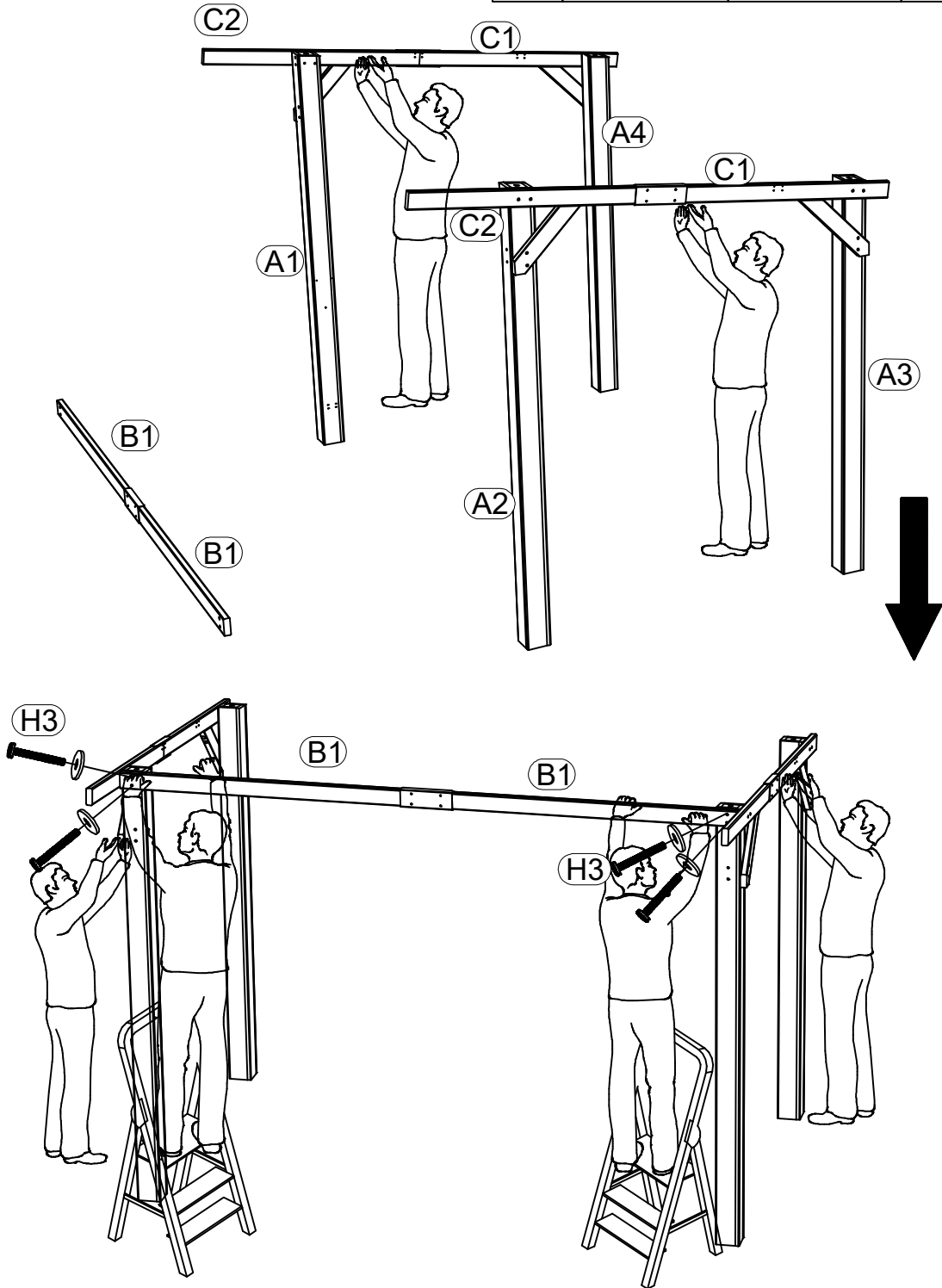
B1		1
L1		1

H7		M4X25	8
----	--	-------	---




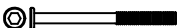

8

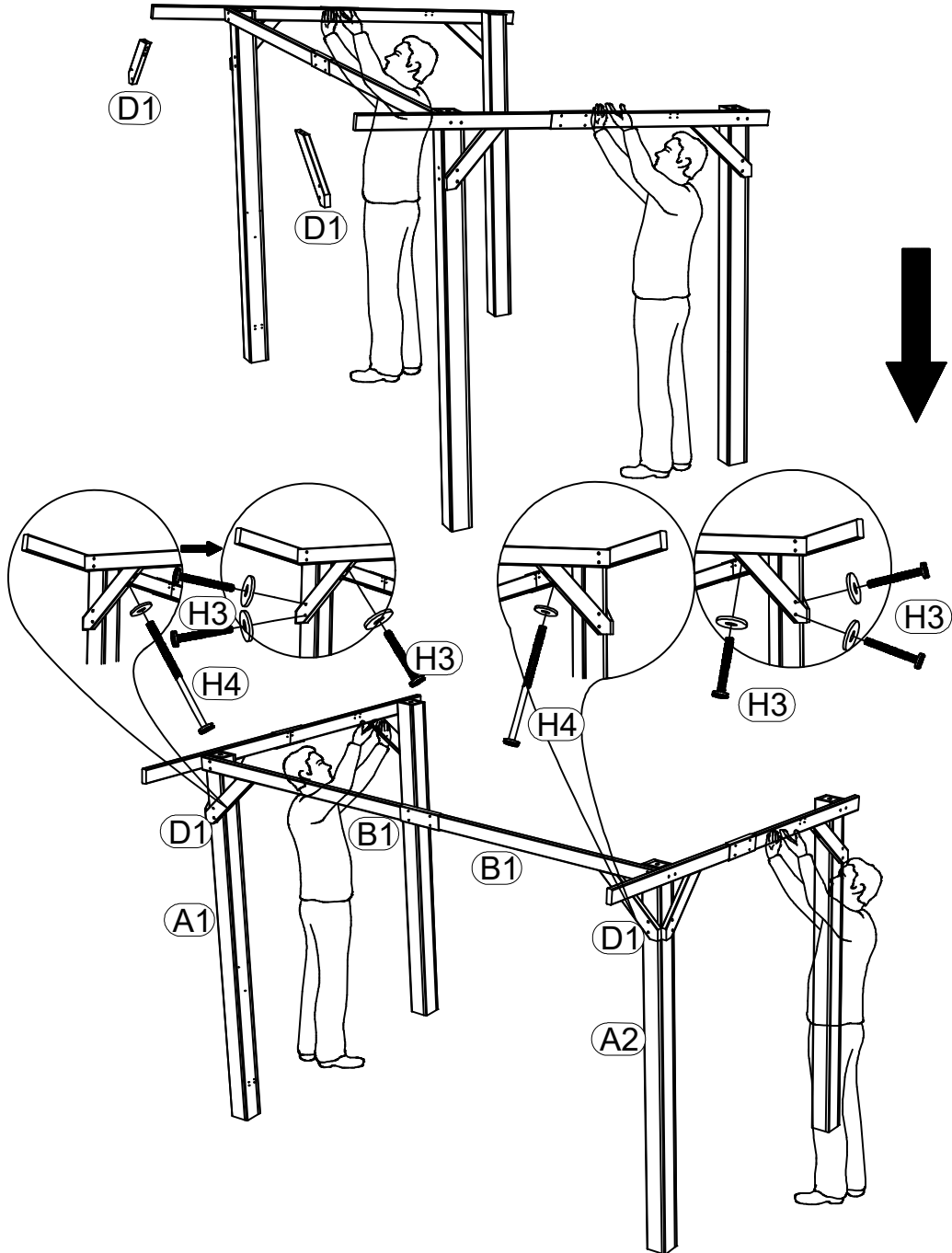
H3		M8X50	4
H6		M8-18	4





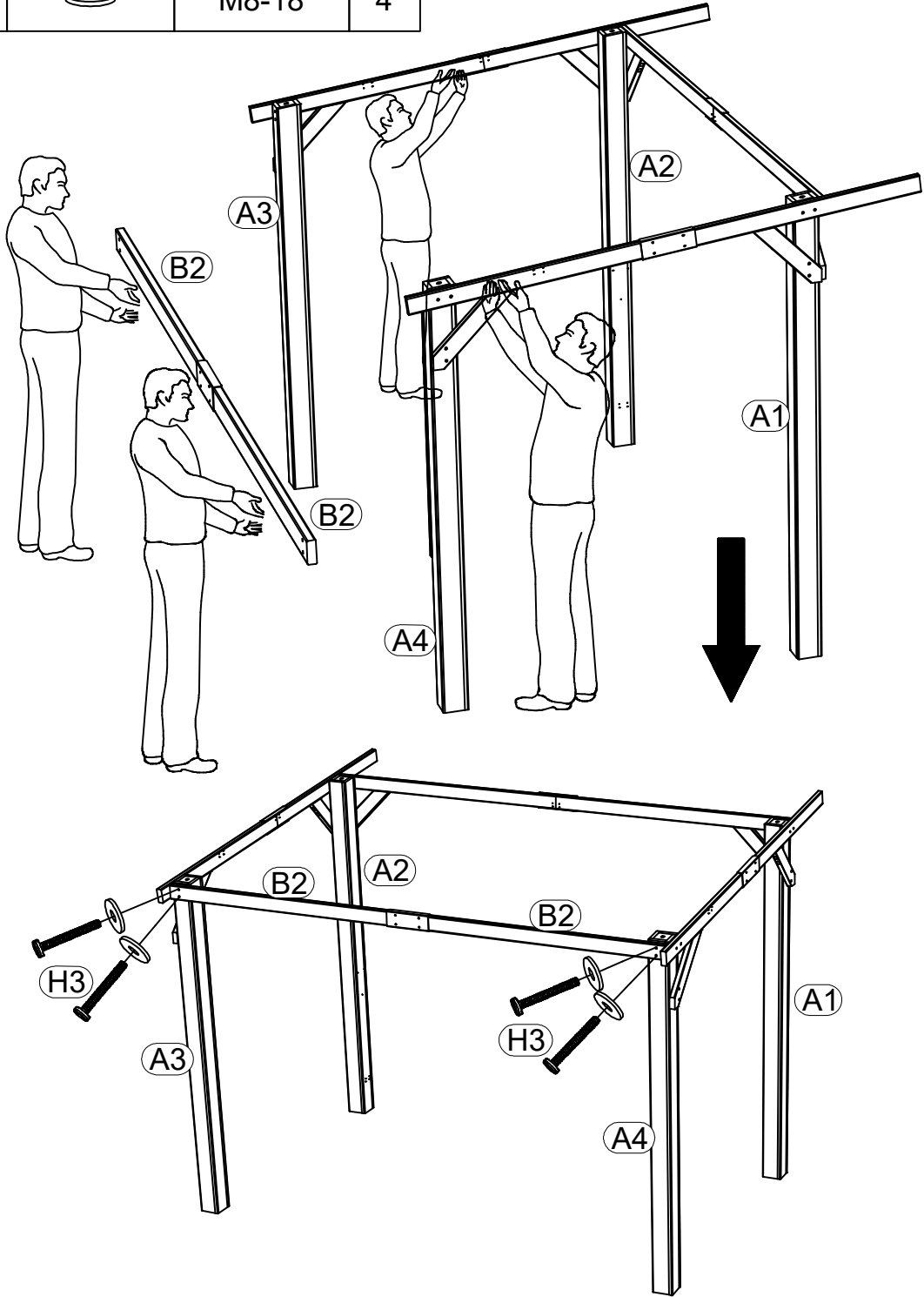
9

D1		2
----	---	---



H3		M8X50	6
H4		M8X80	2
H6		M8-18	8




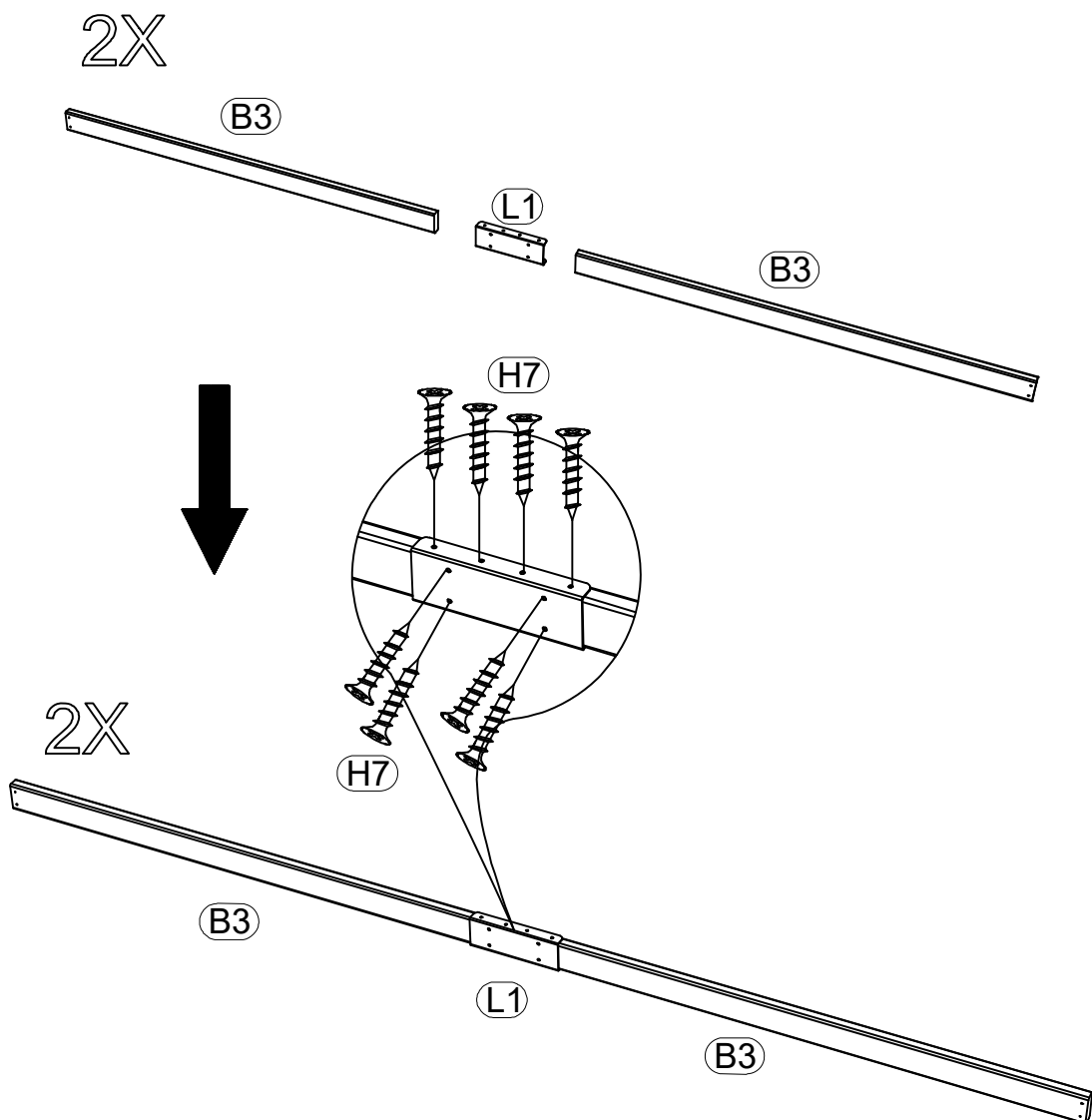
H3		M8X50	4
H6		M8-18	4



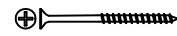
11

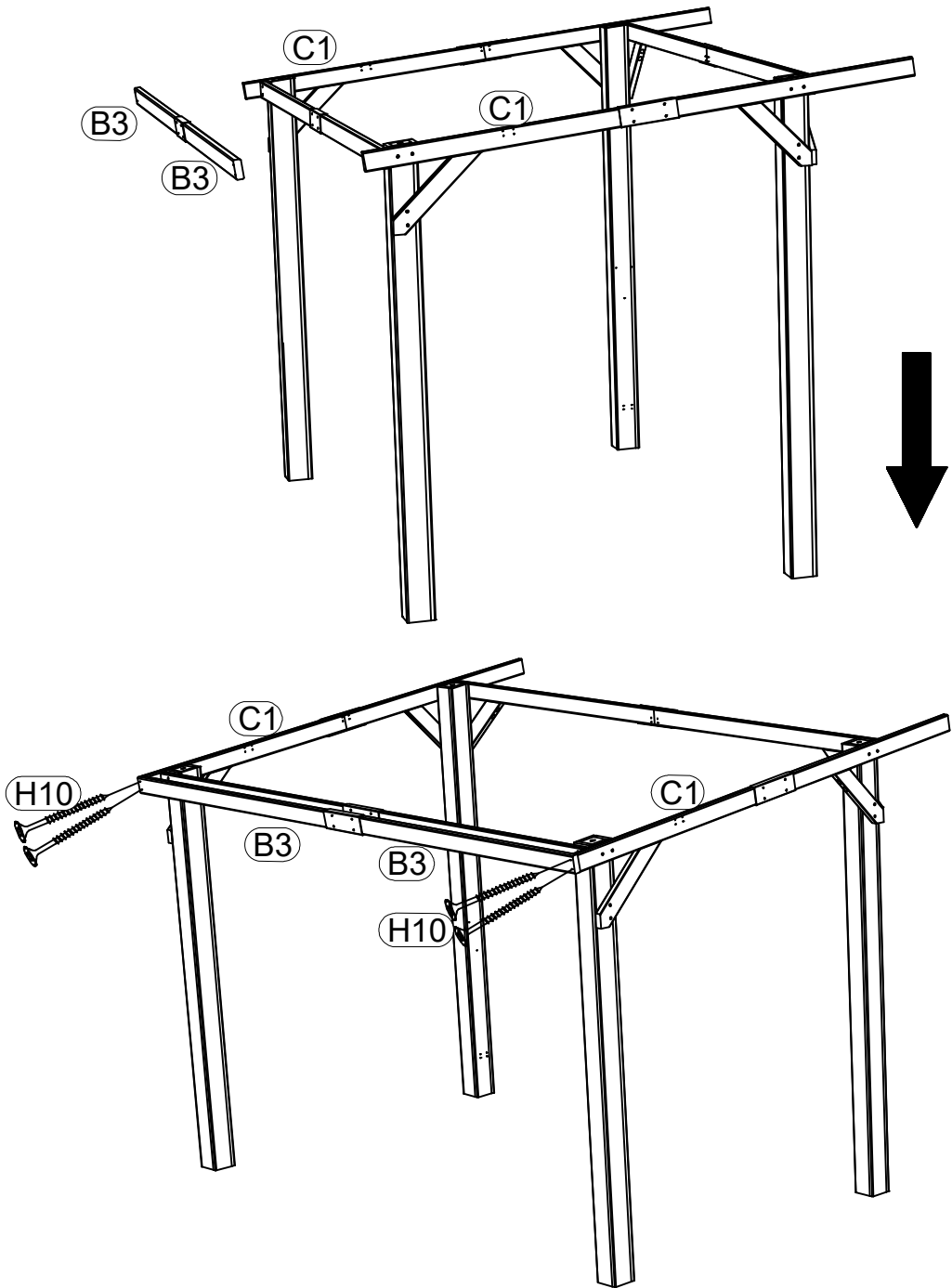
B3		4
L1		2

H7		M4X25	16
----	--	-------	----

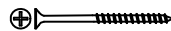


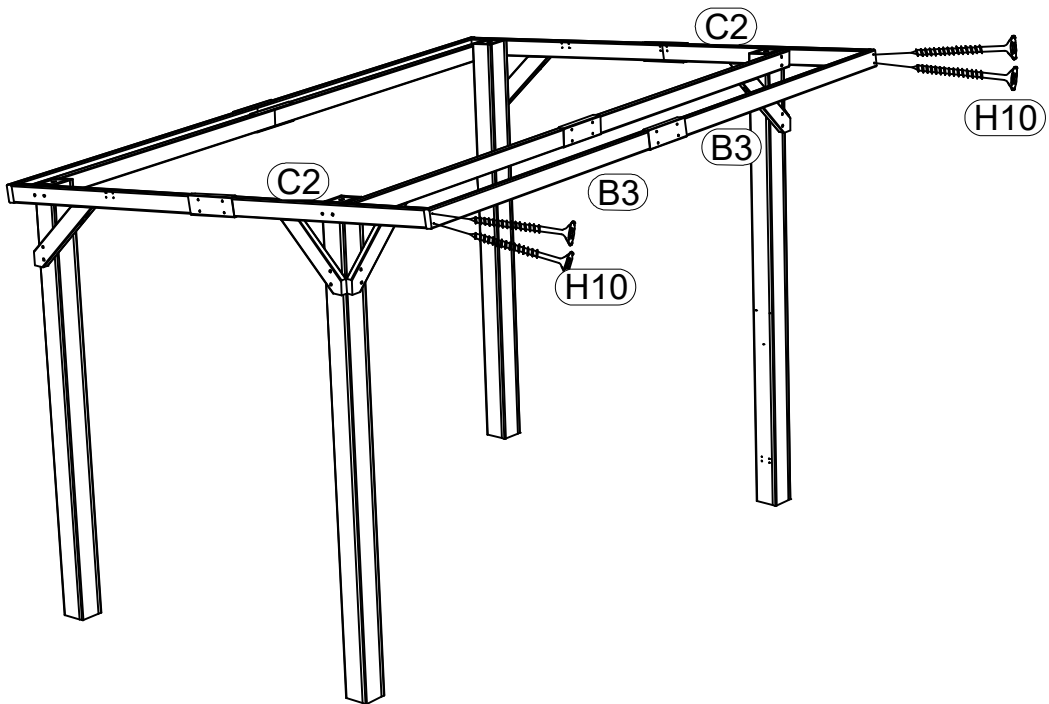
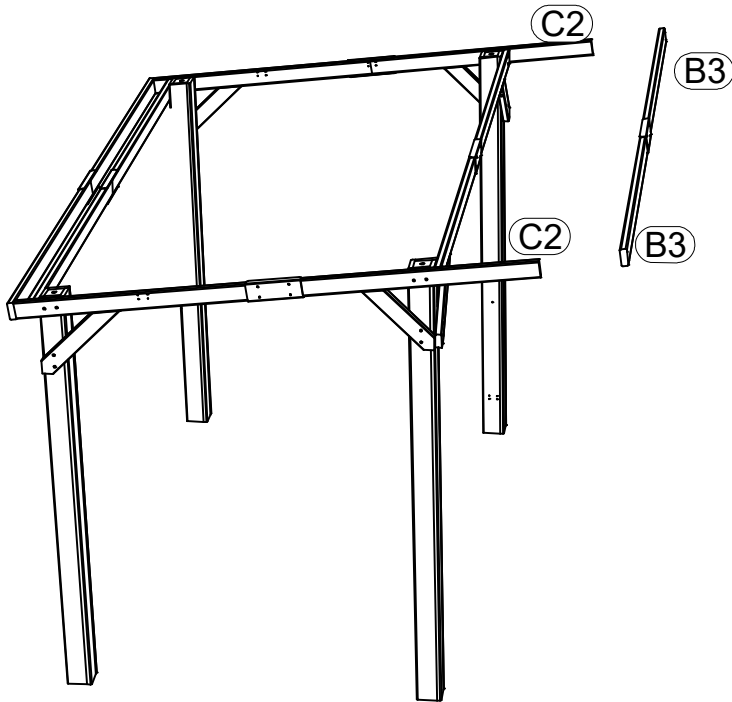
12

H10		M4X70	4
-----	--	-------	---


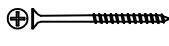


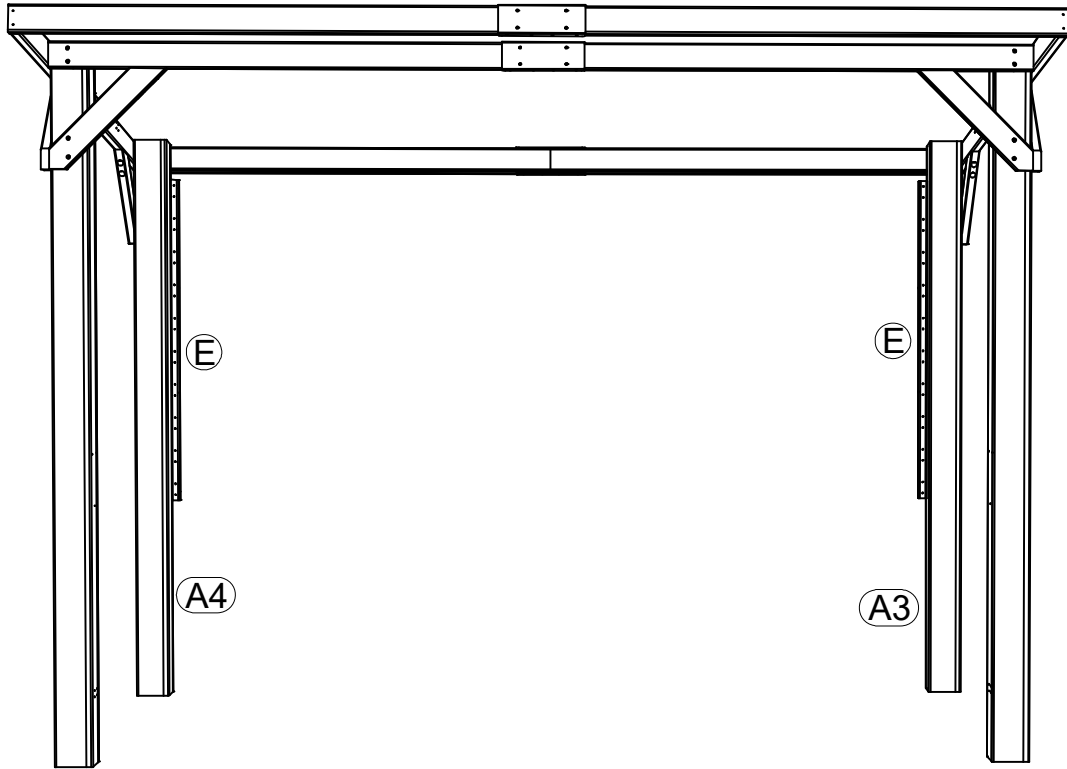
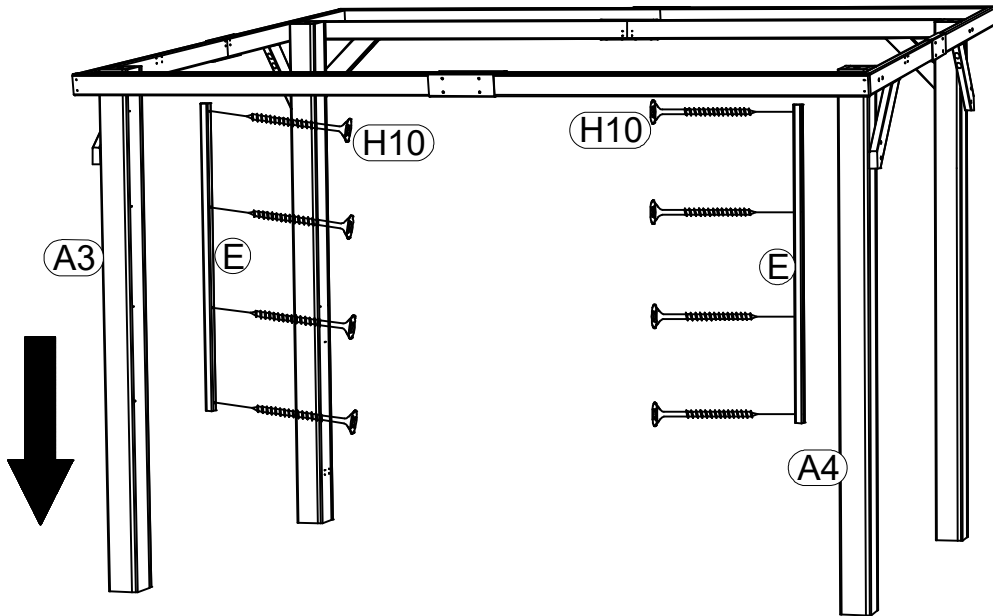
13




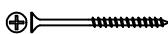
H10		M4X70	4
-----	--	-------	---

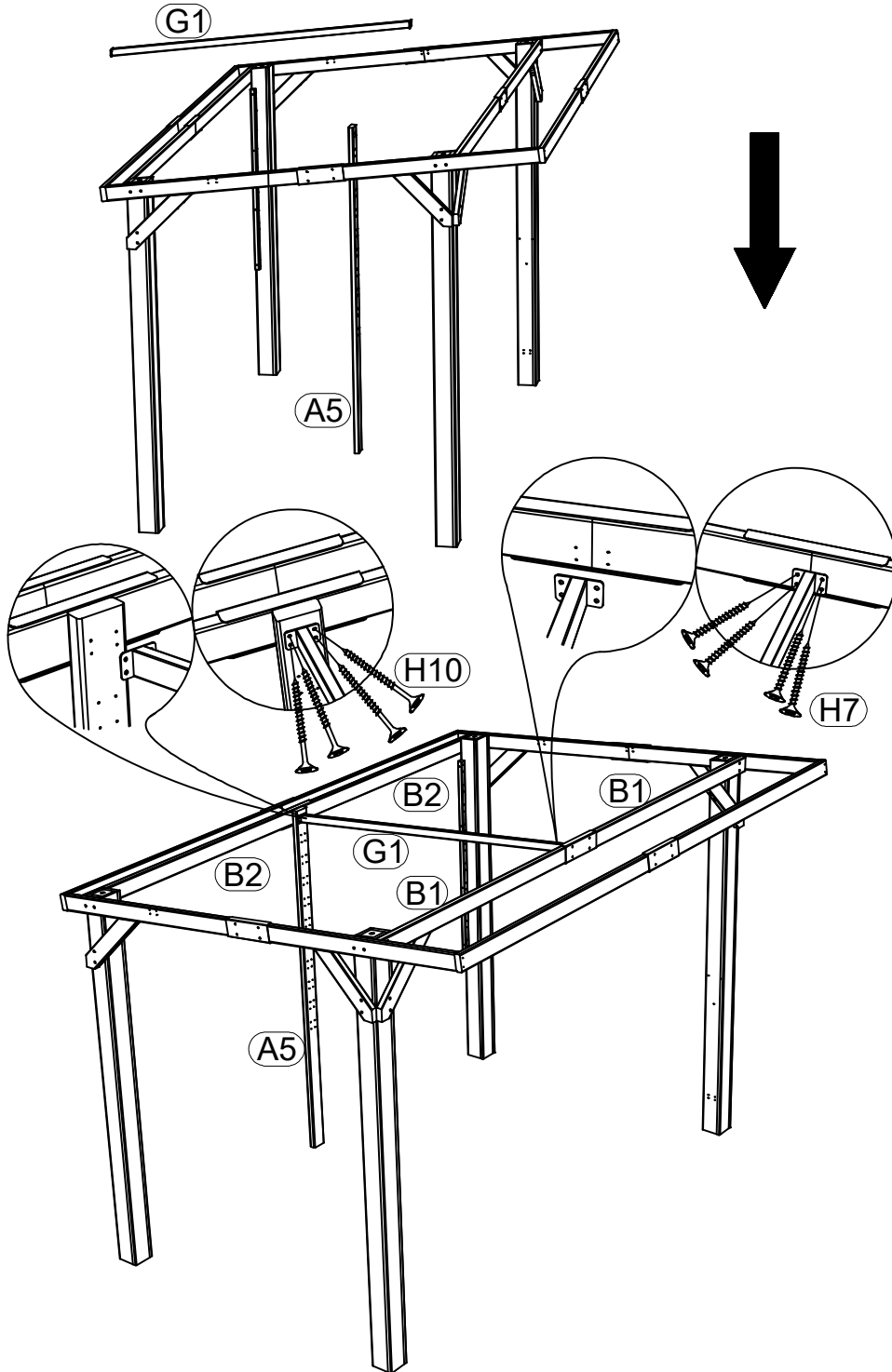


14

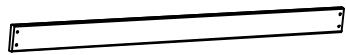

E		2	H10		M4X70	8
---	---	---	-----	--	-------	---

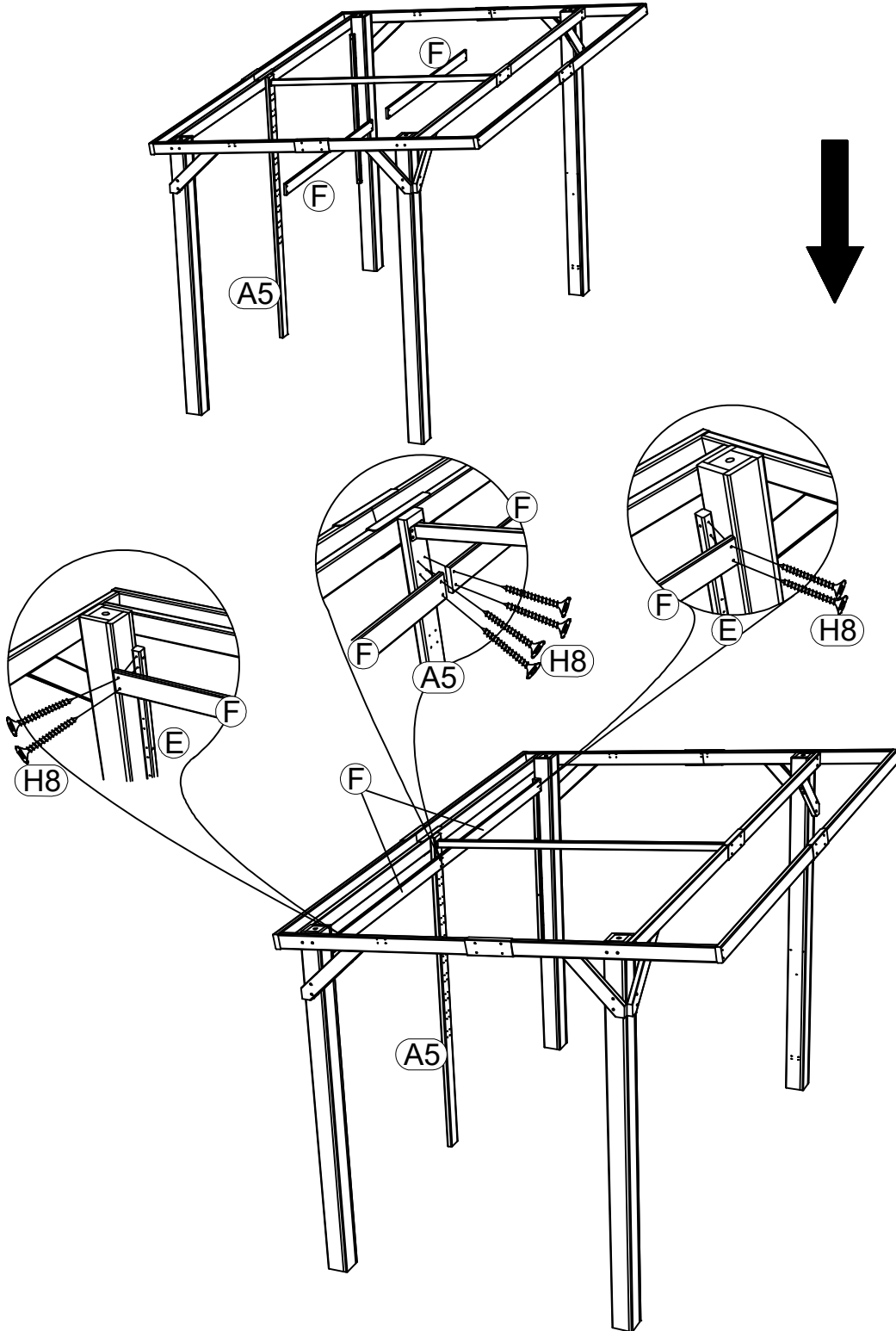


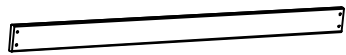

A5		1	H7		M4X25	4
G1		1	H10		M4X70	4

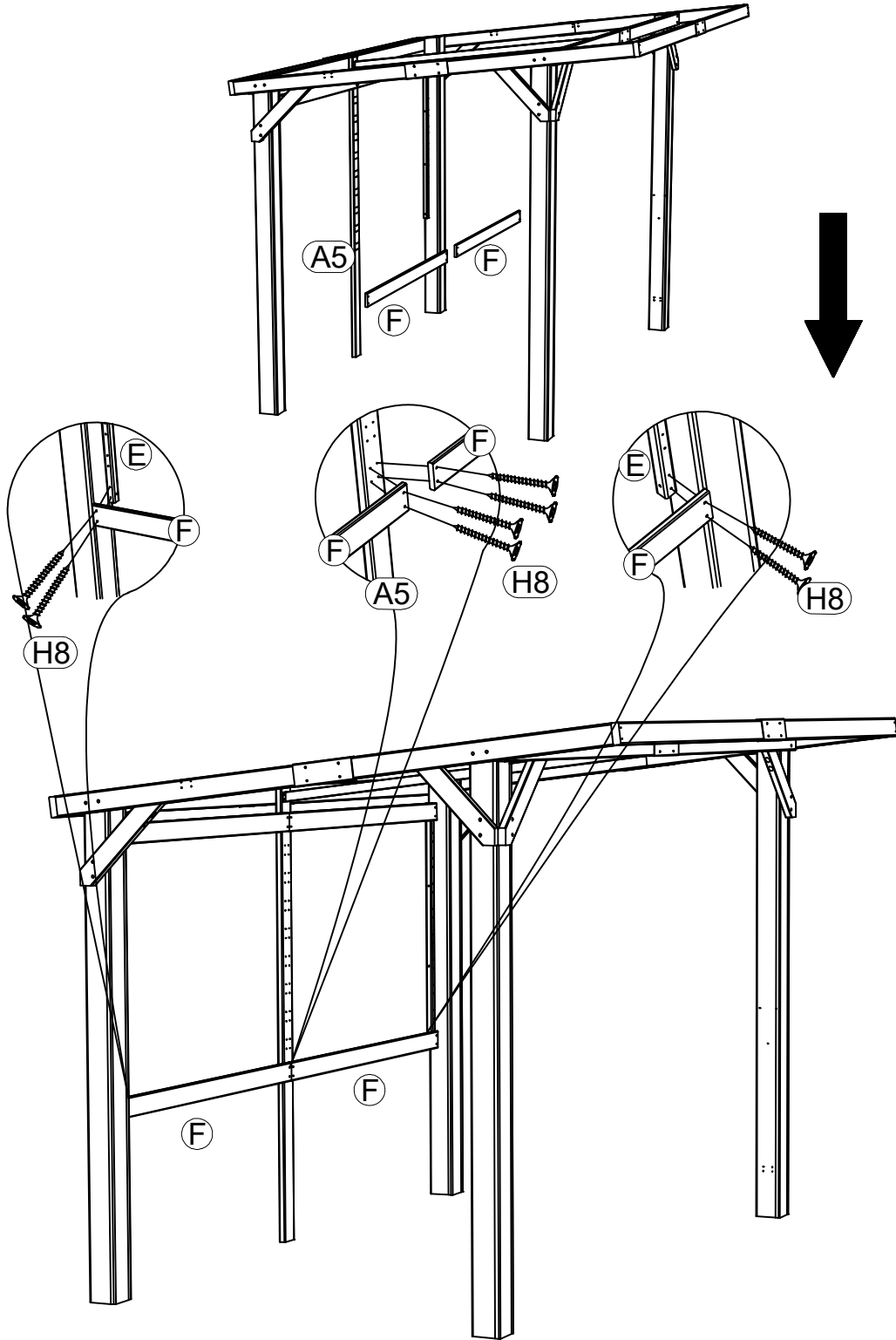


16

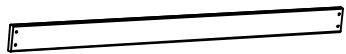

F		2	H8		M4X40	8
---	---	---	----	--	-------	---

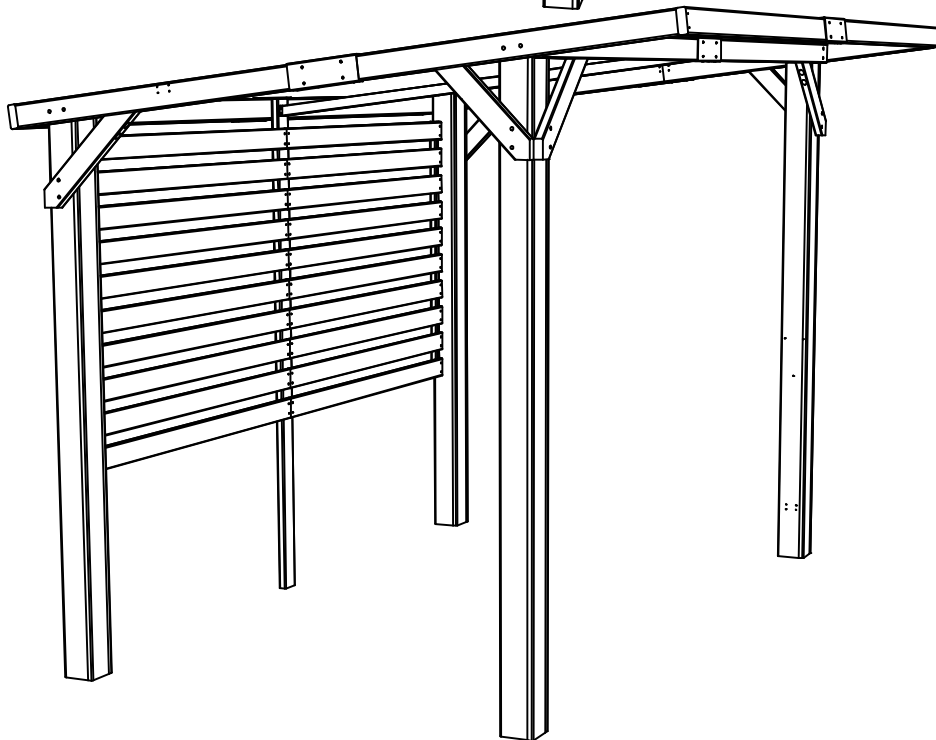
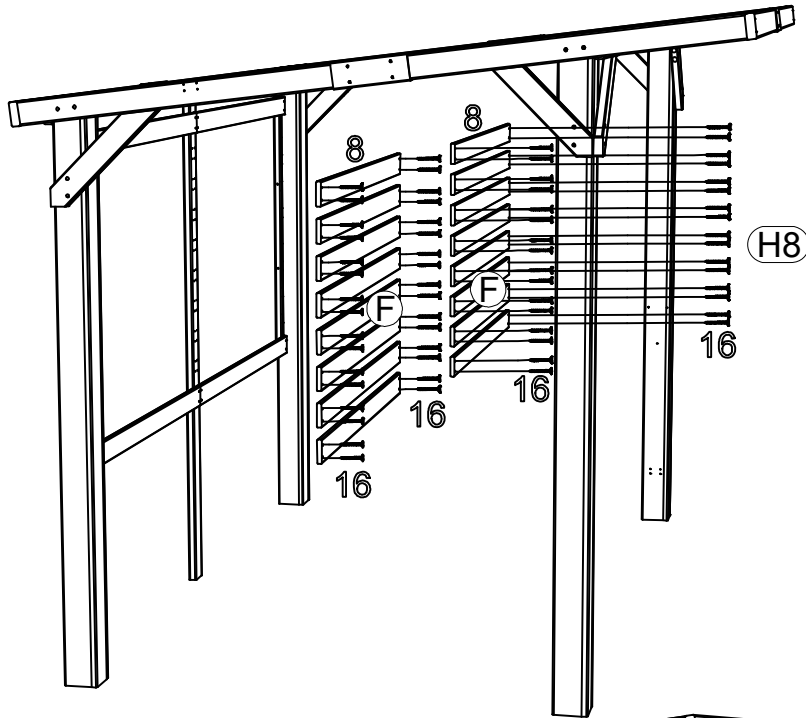


F		2	H8		M4X40	8
---	---	---	----	--	-------	---









18

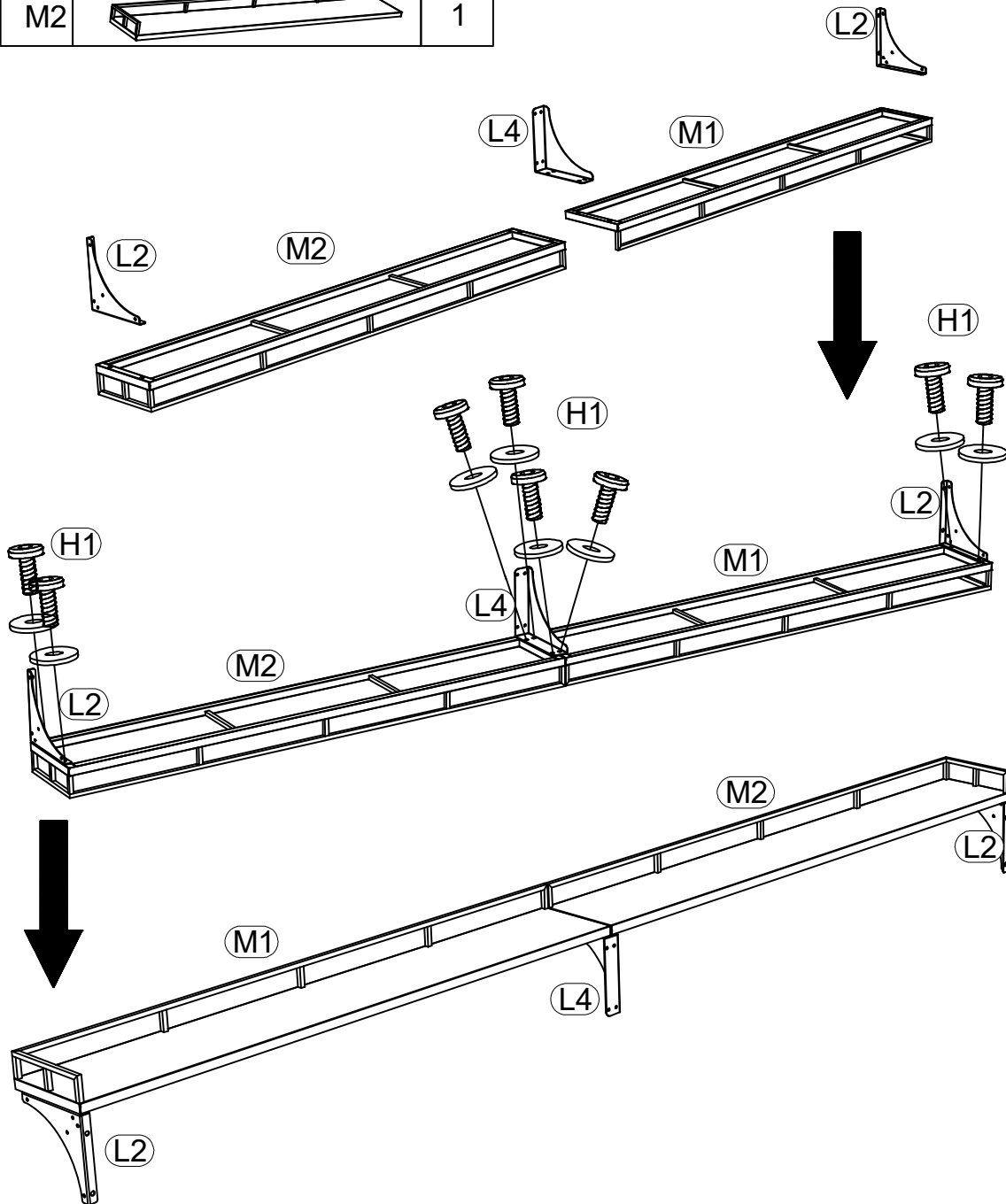
F		16	H8		M4X40	64
---	---	----	----	--	-------	----




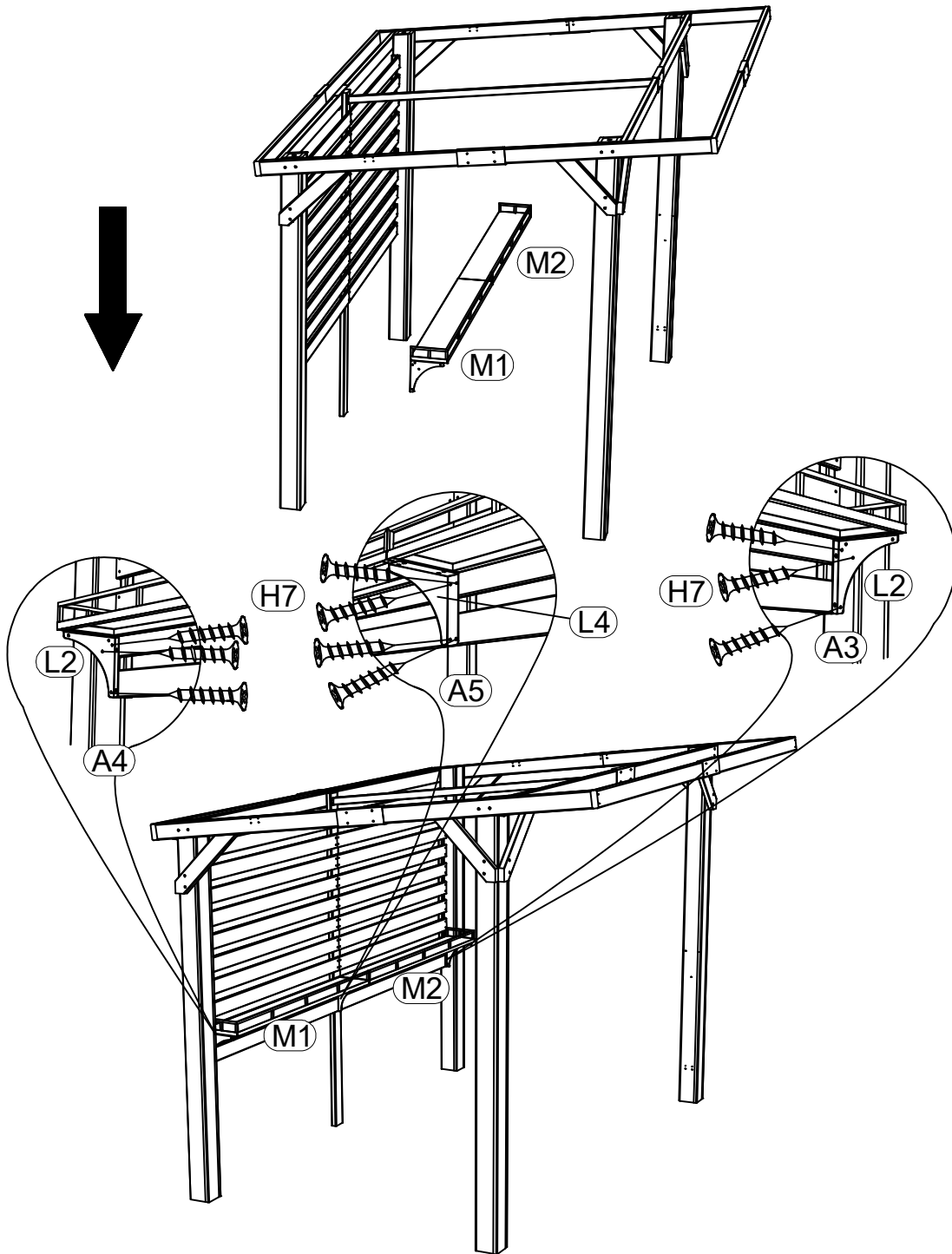
19

L2		2
L4		1
M1		1
M2		1




H1		M6X15	8
H5		M6-16	8




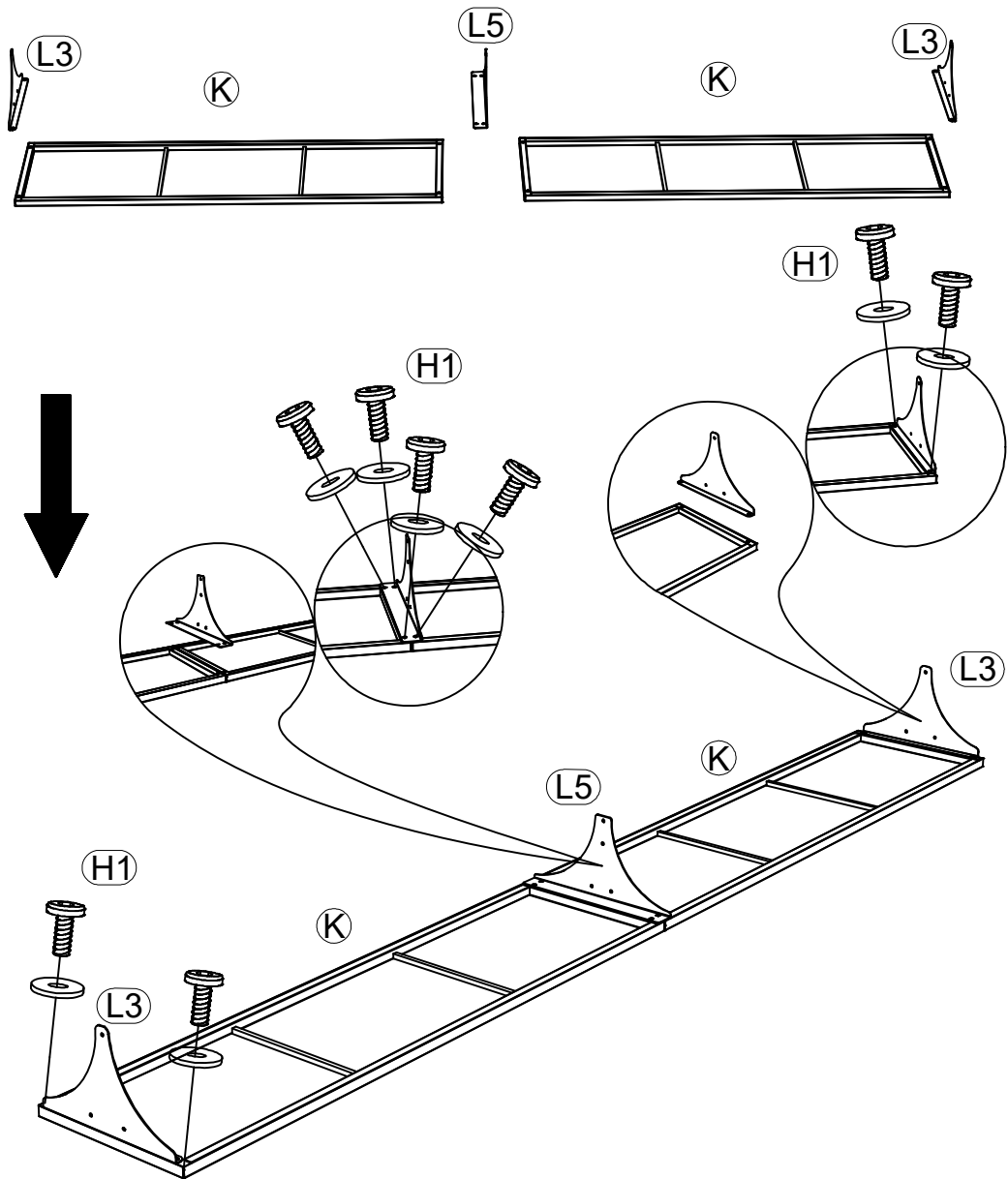
H7		M4X25	10
----	--	-------	----





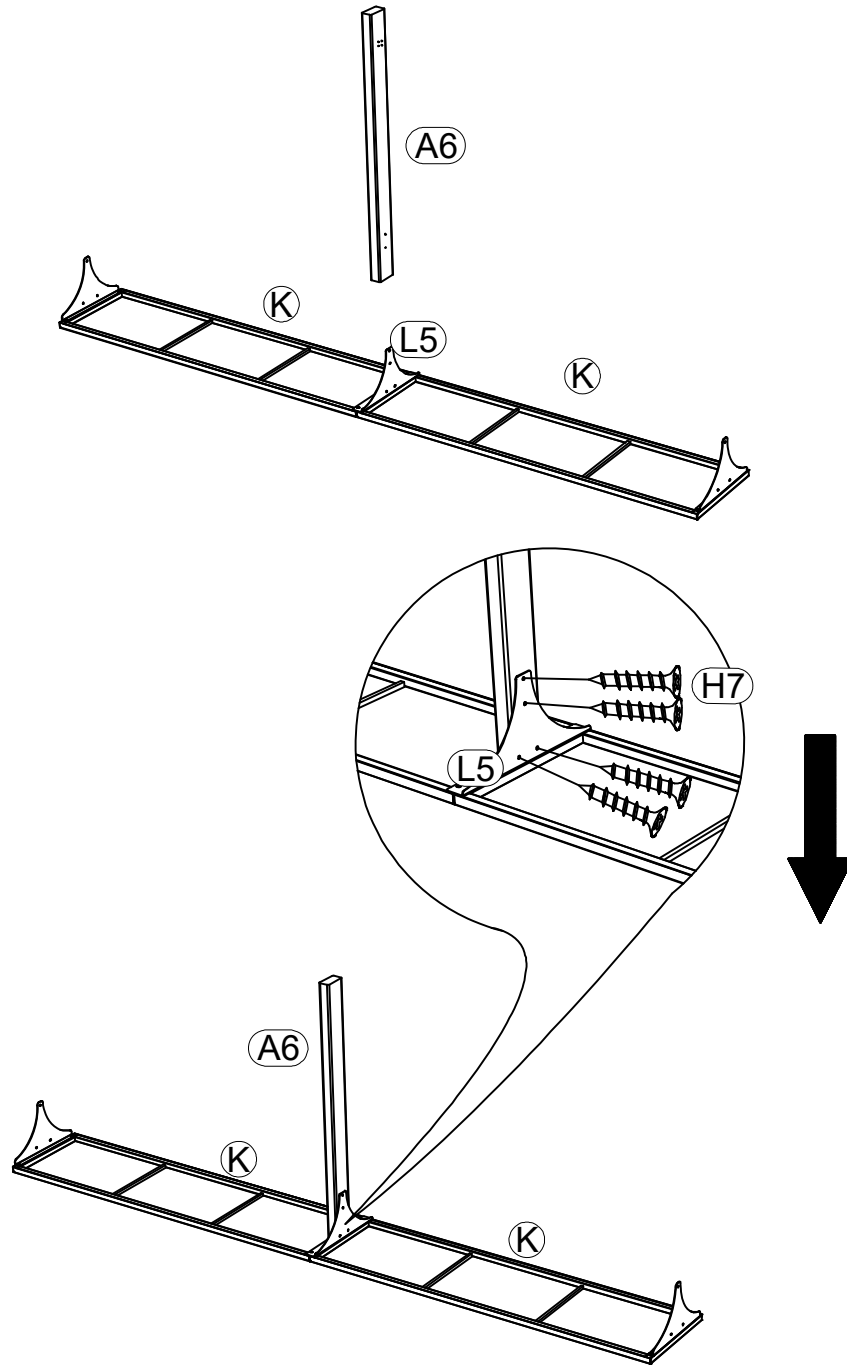
21

L5		1
L3		2
K		2


H1		M6X15	8
H5		M6-16	8

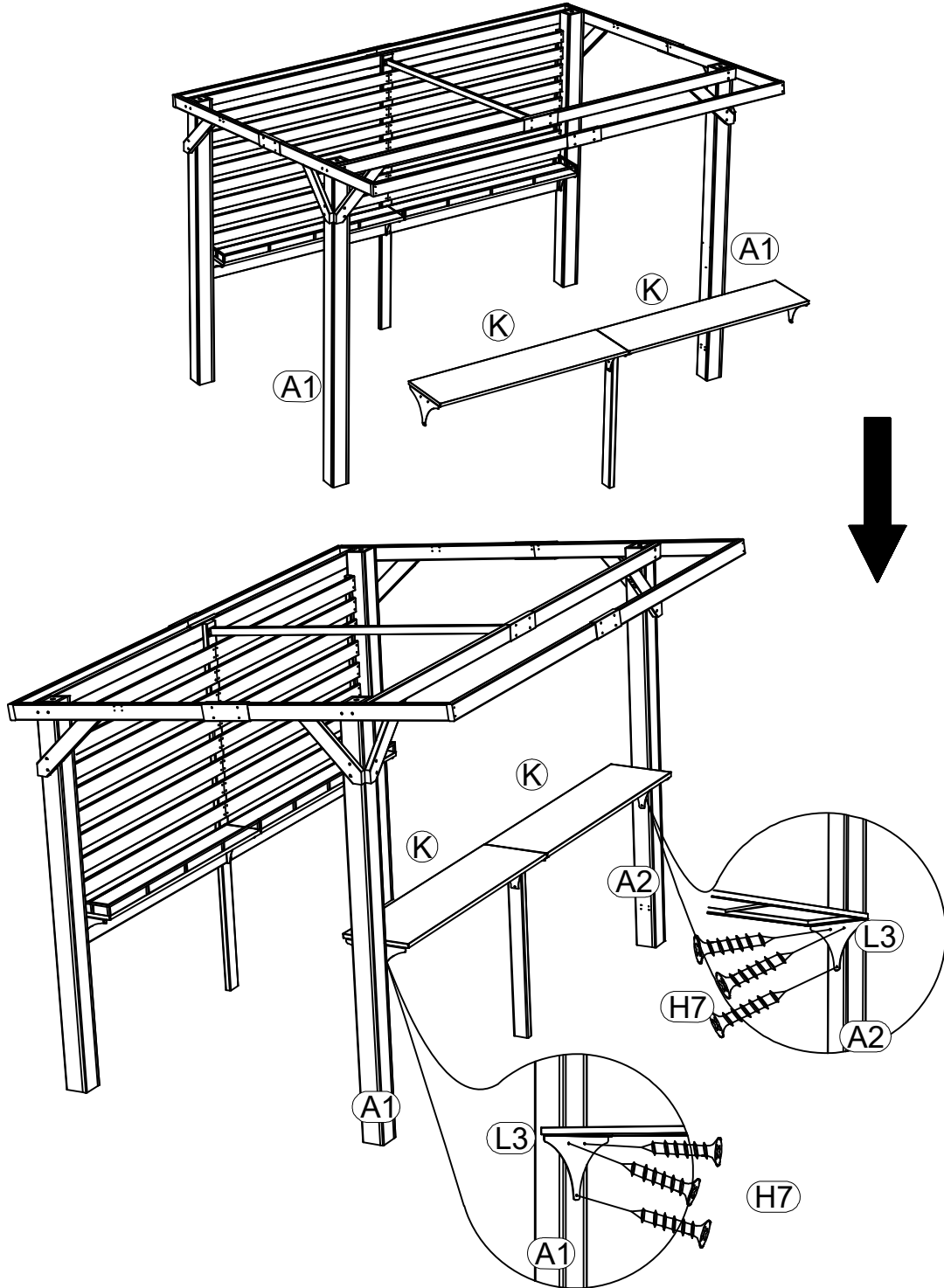




A6		1	H7		M4X25	4
----	---	---	----	--	-------	---

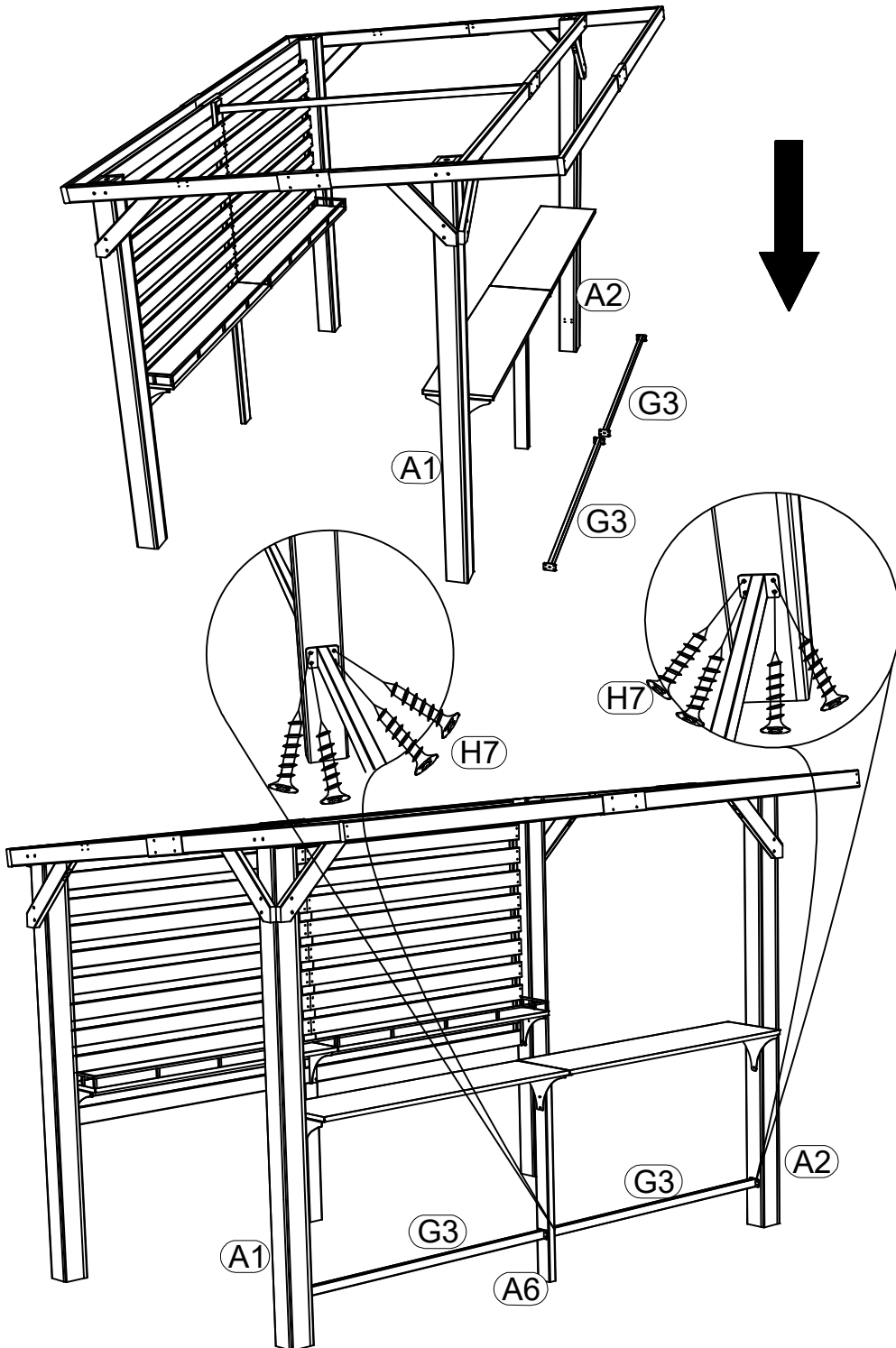


23





H7		M4X25	6
----	--	-------	---

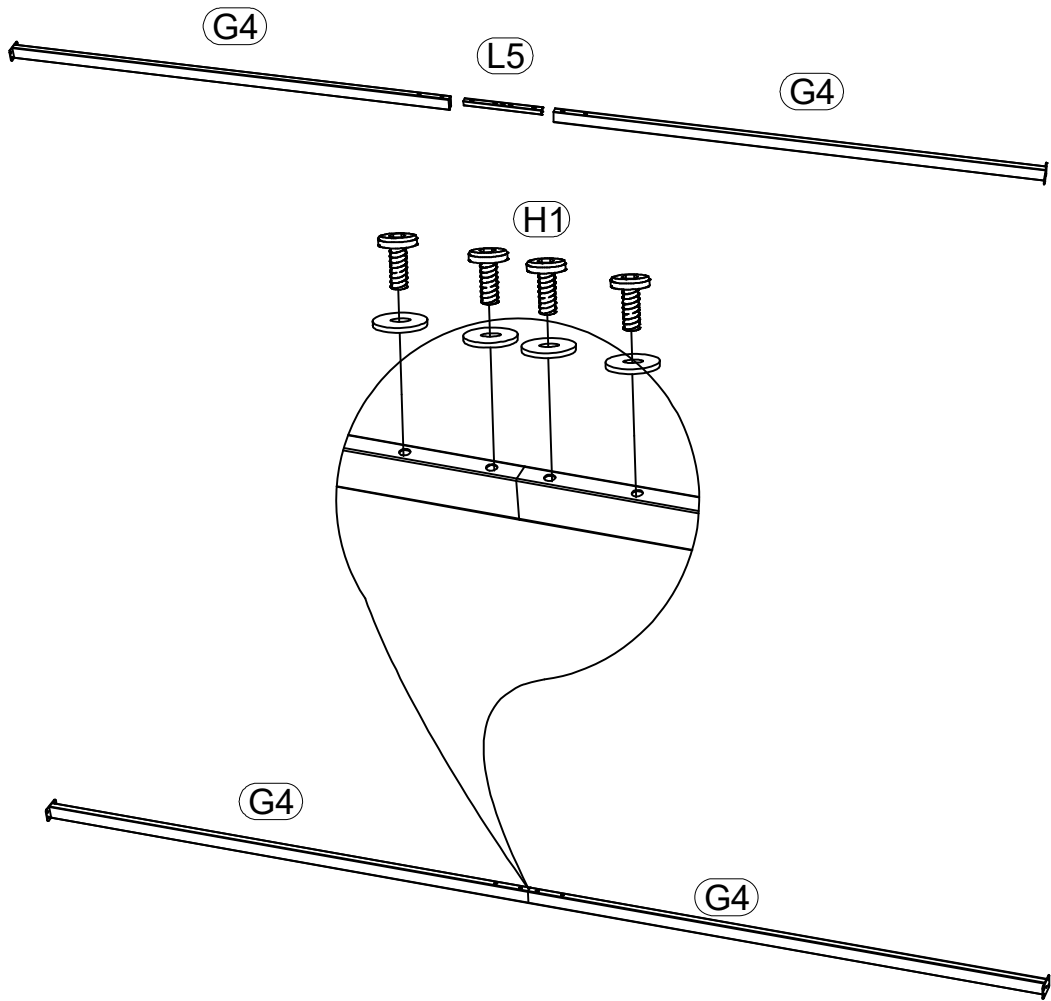



G3		2	H7		M4X25	16
----	---	---	----	--	-------	----

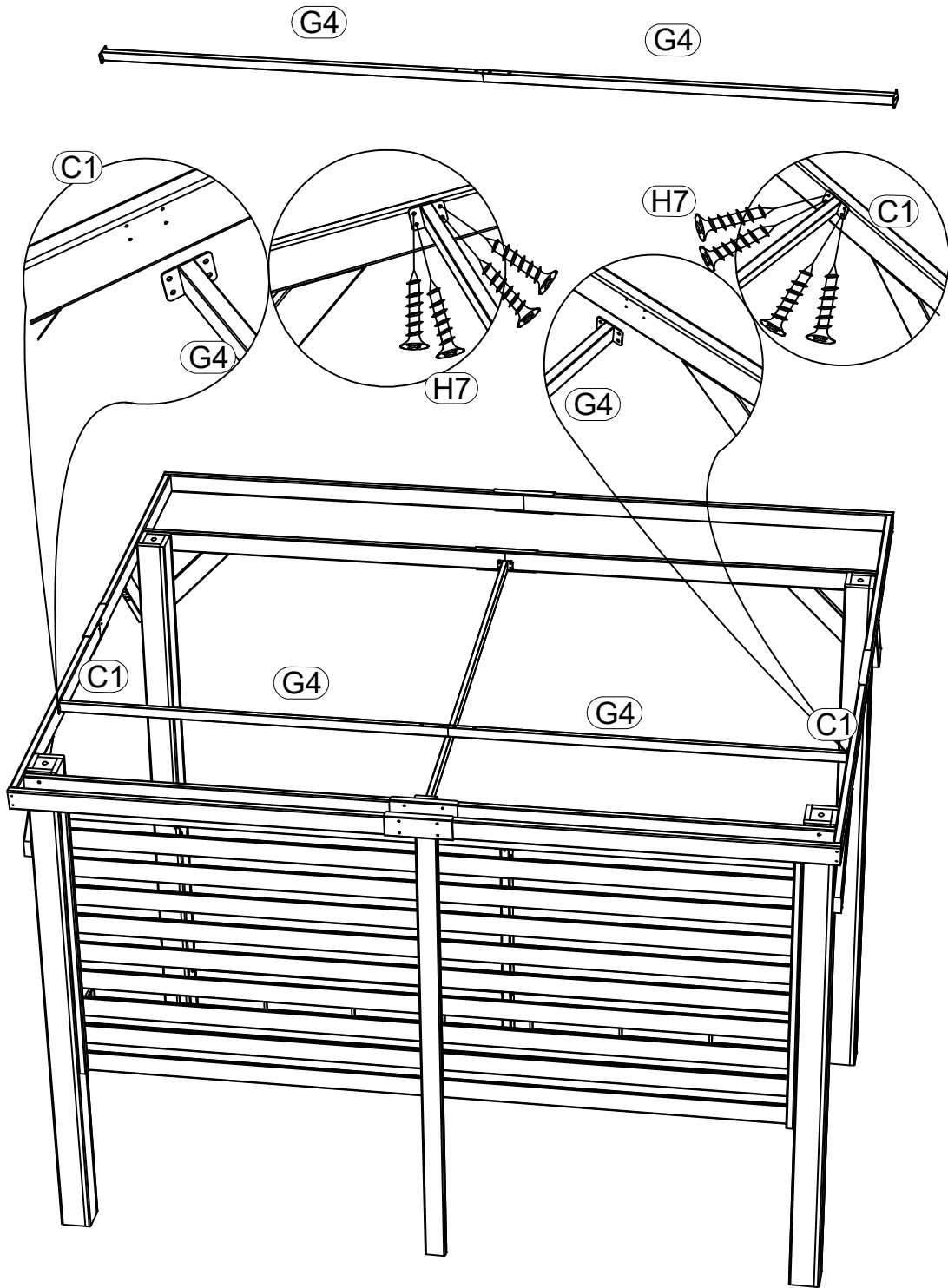






25

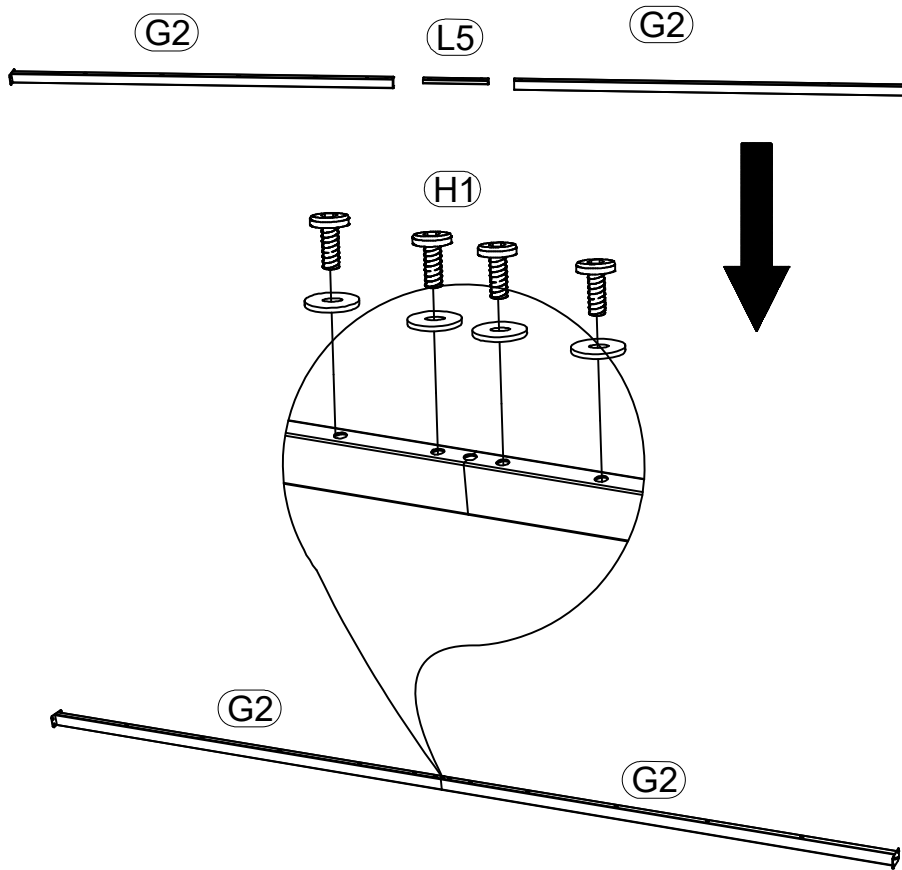
G4		2	H1		M6X15	4
L5		1	H5		M6-16	4




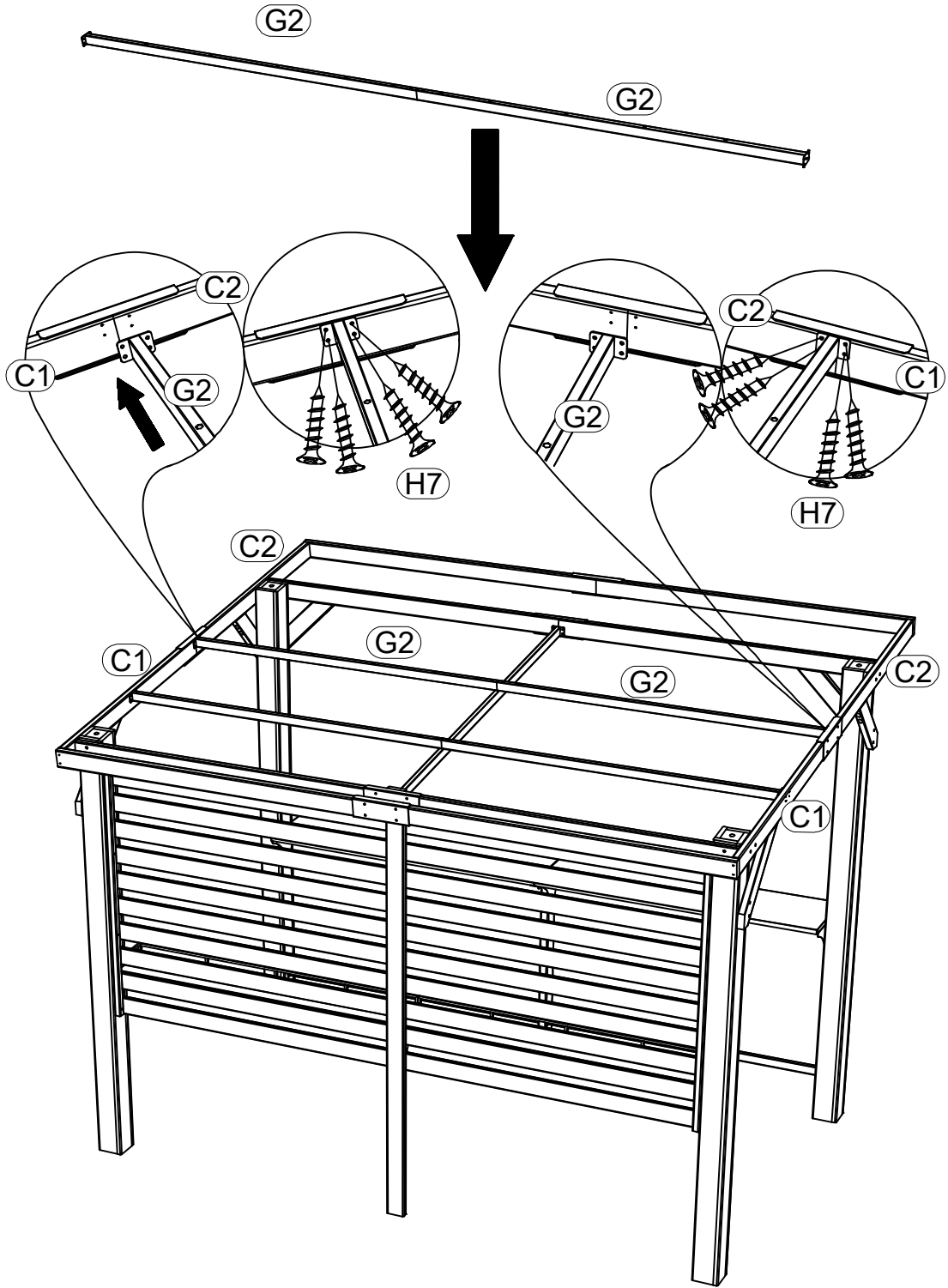
H7		M4X25	8
----	--	-------	---



G2		2	H1		M6X15	4
L5		1	H5		M6-16	4

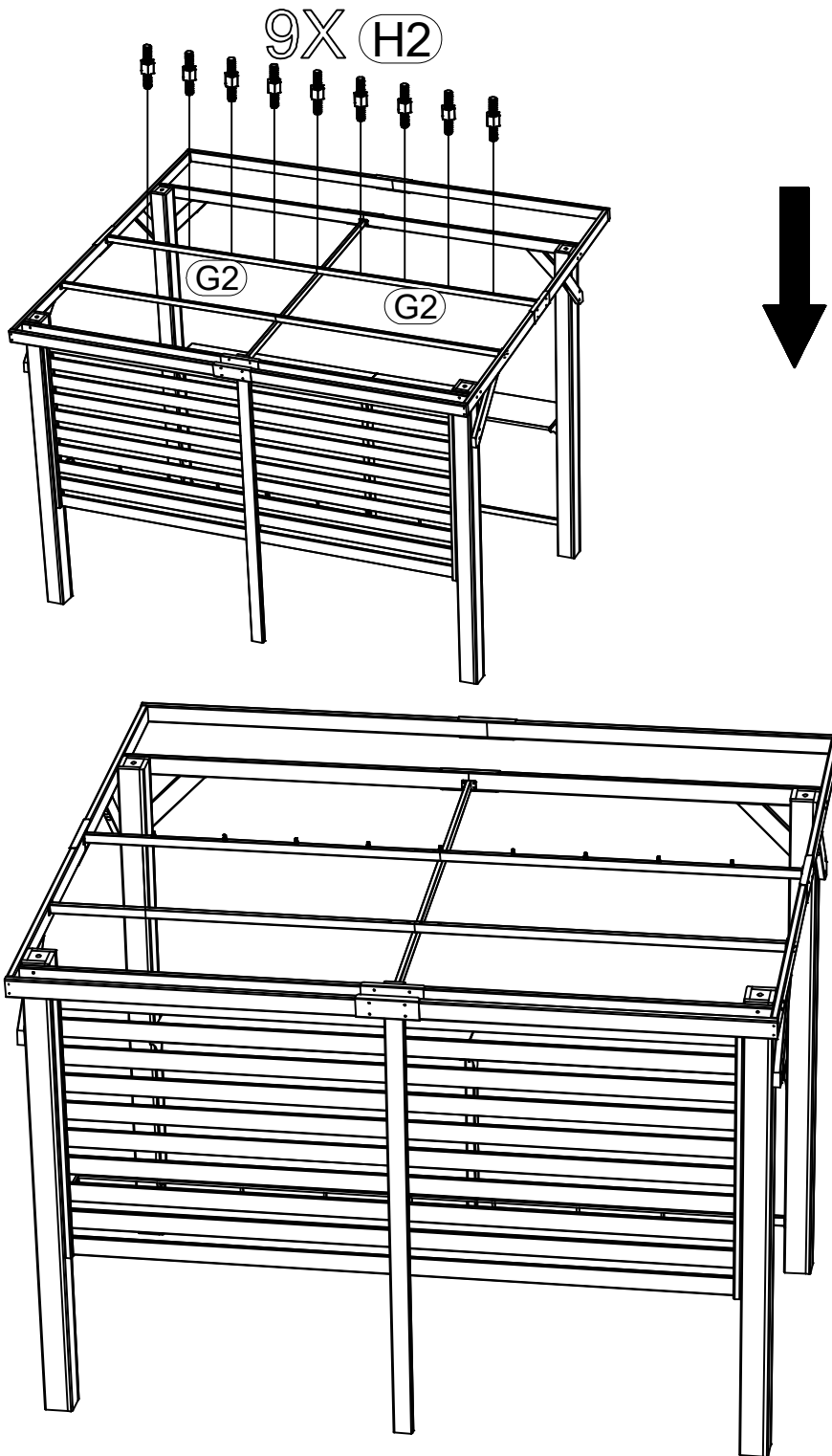


H7		M4X25	8
----	--	-------	---





29

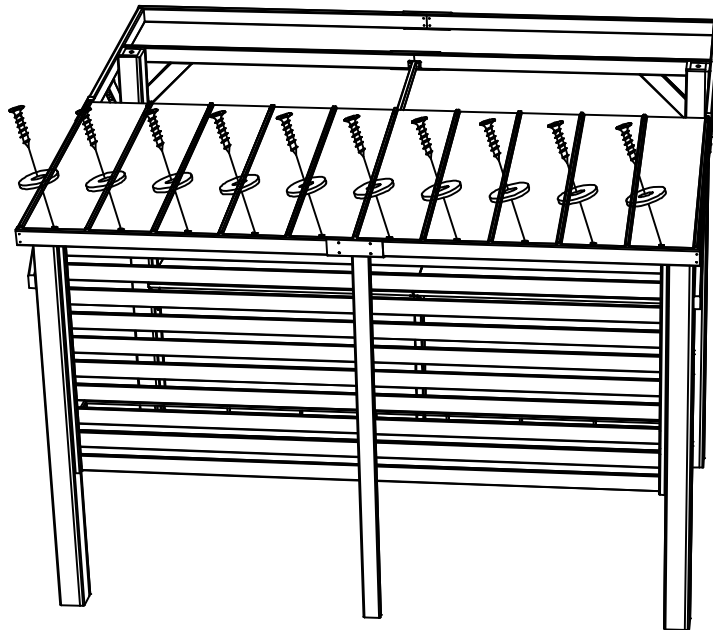
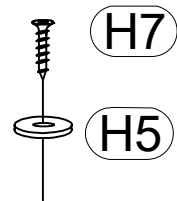
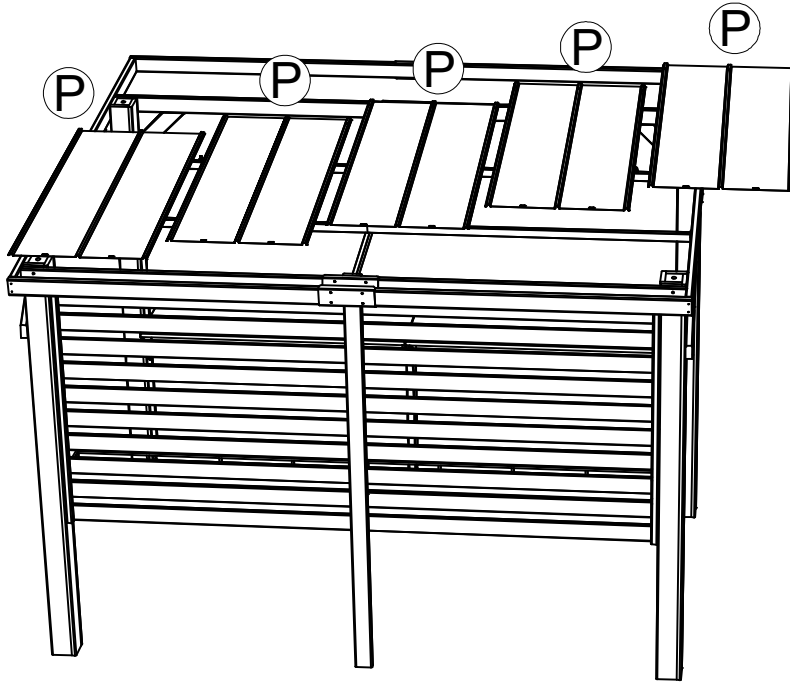
H2		M6X40	9
----	---	-------	---





30




P		5
---	---	---

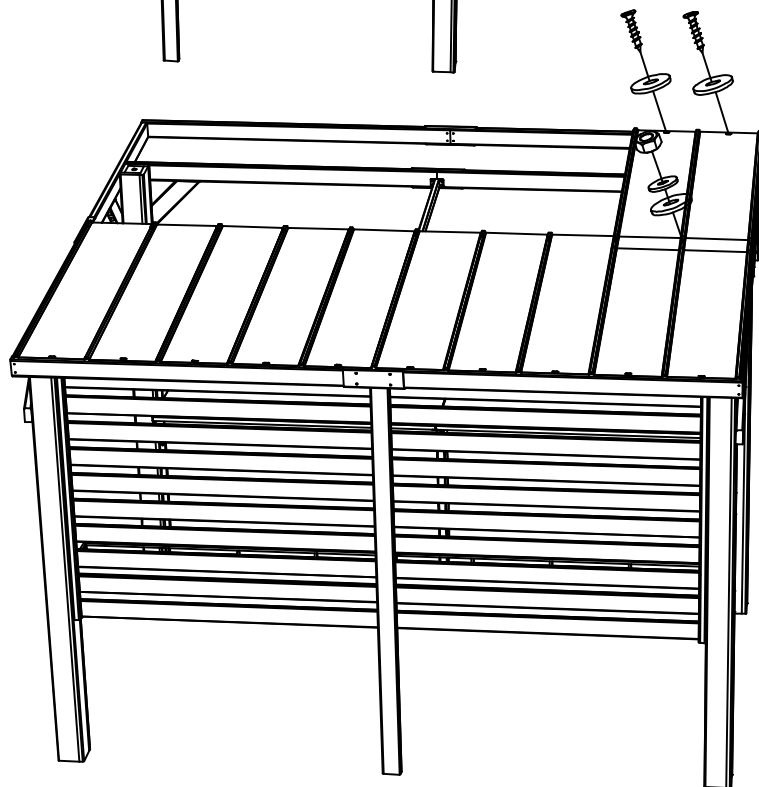
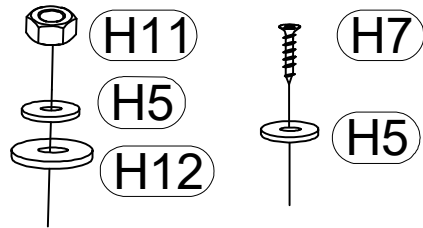
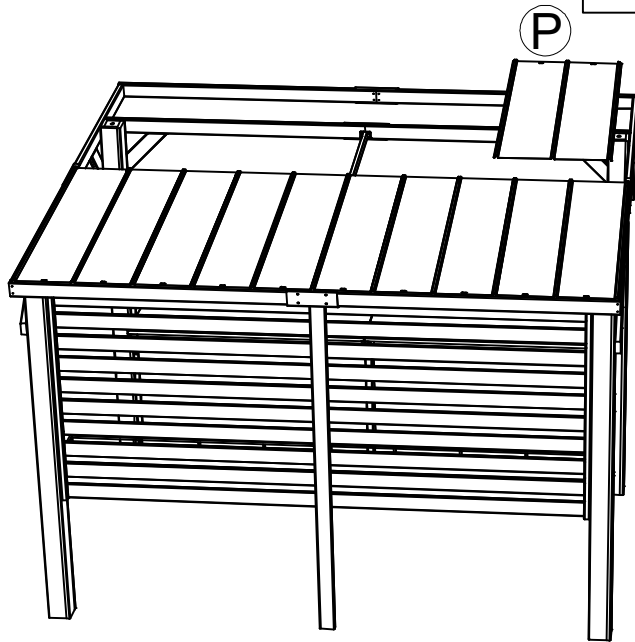
H7		M4X25	10
H5		M6-16	10








31

P		1
H11		M6

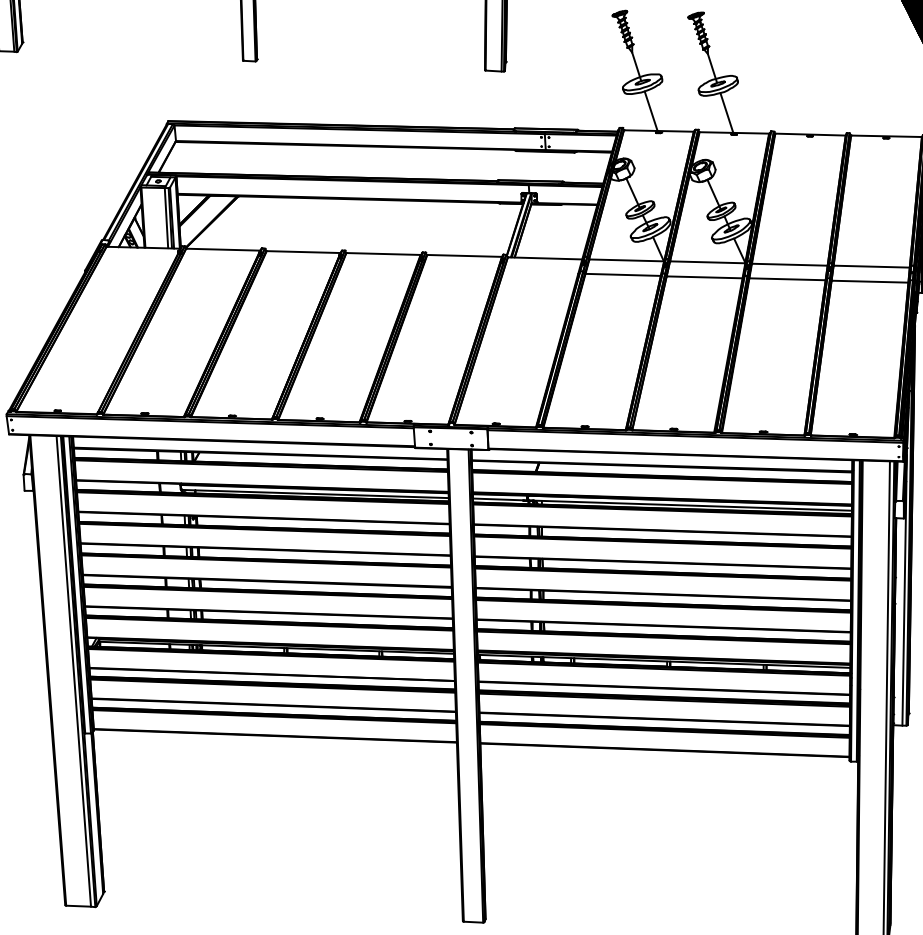
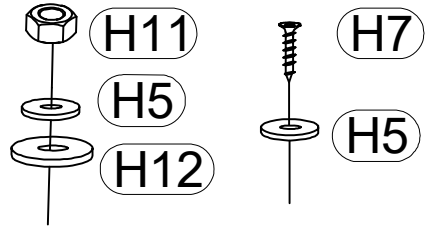
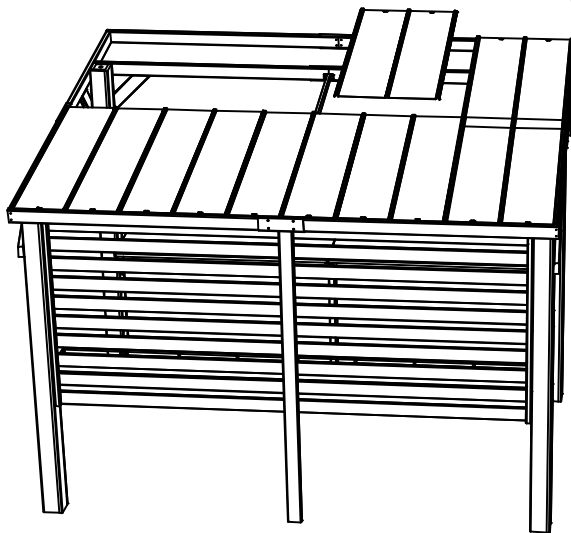
H7		M4X25	2
H5		M6-16	3
H12		RUBBER	1





P		1
H11		M6 2




H7		M4X25	2
H5		M6-16	4
H12		RUBBER	2

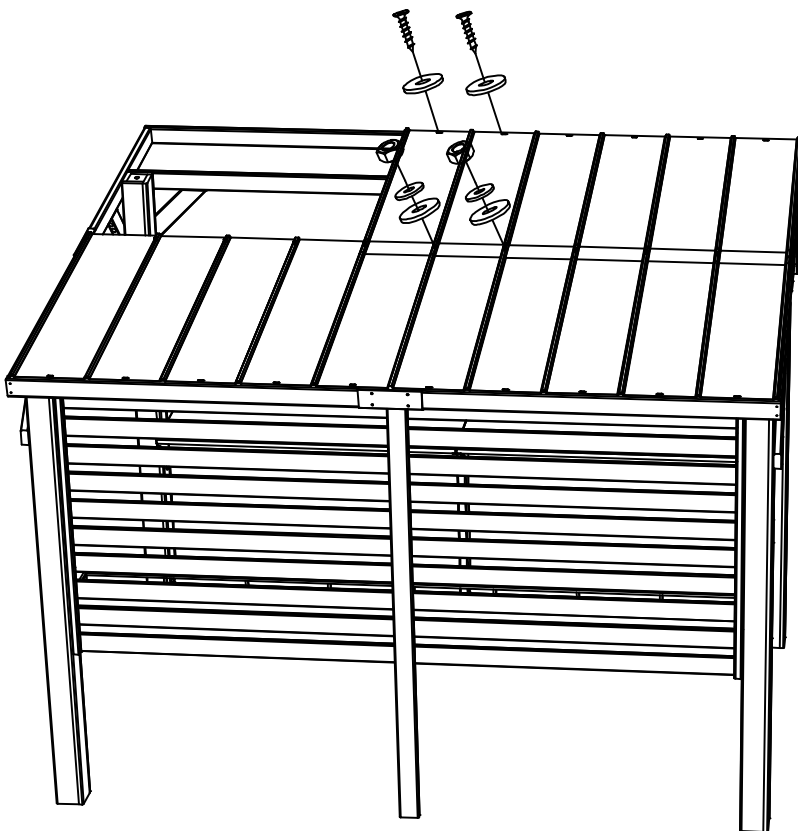
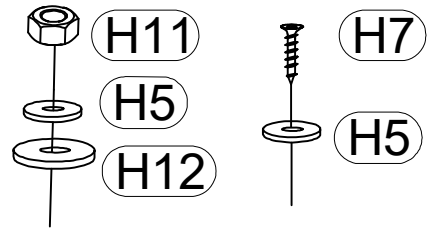
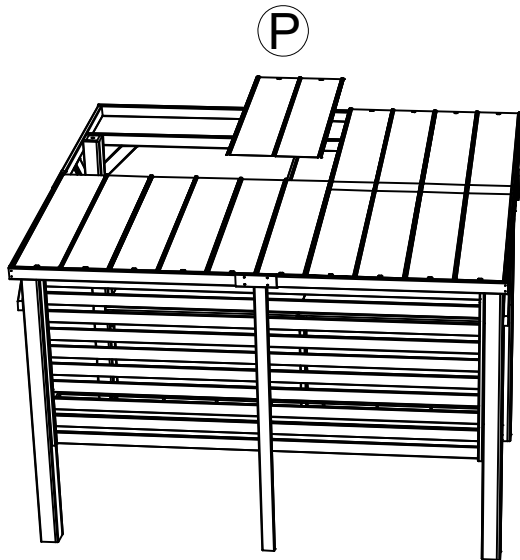
(P)





33




P		1
H11		M6
		2

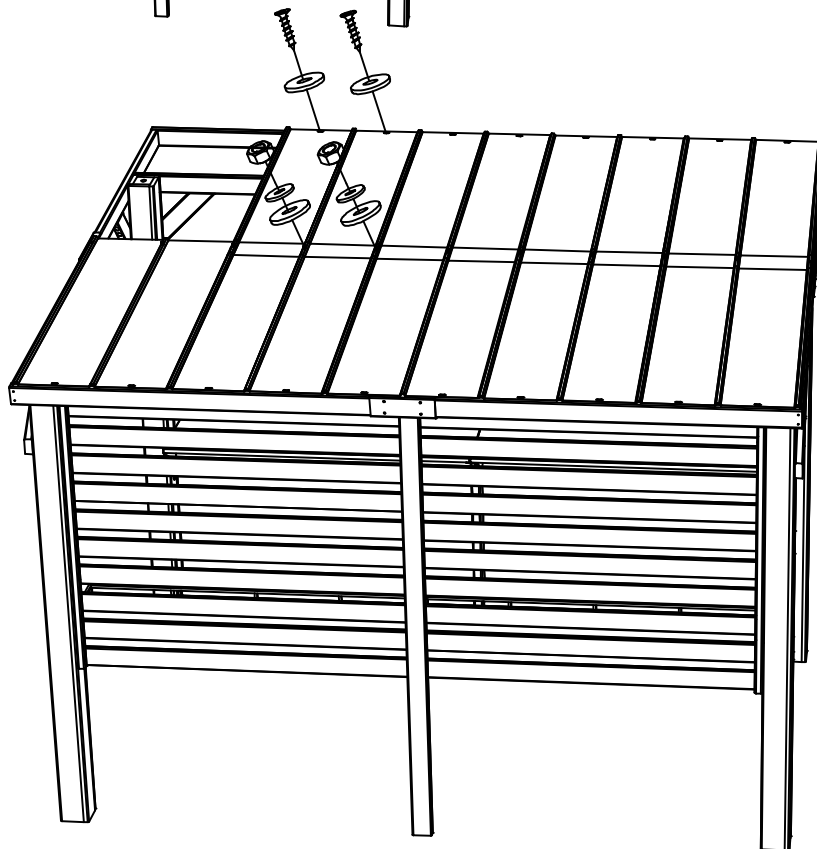
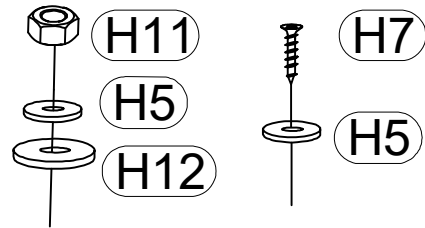
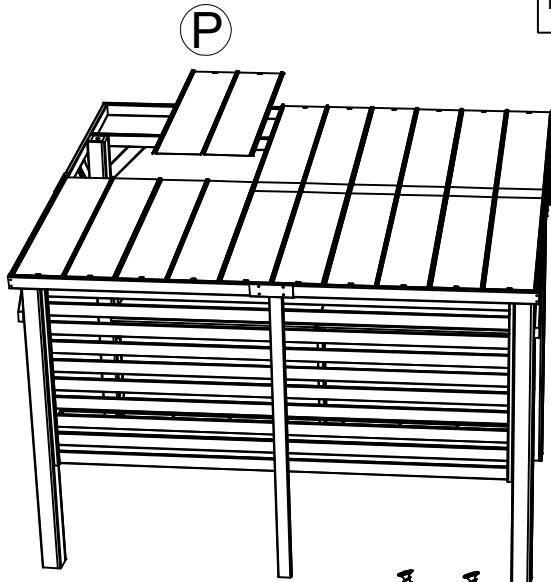
H7		M4X25	2
H5		M6-16	4
H12		RUBBER	2





34




P		1
H11		M6
		2

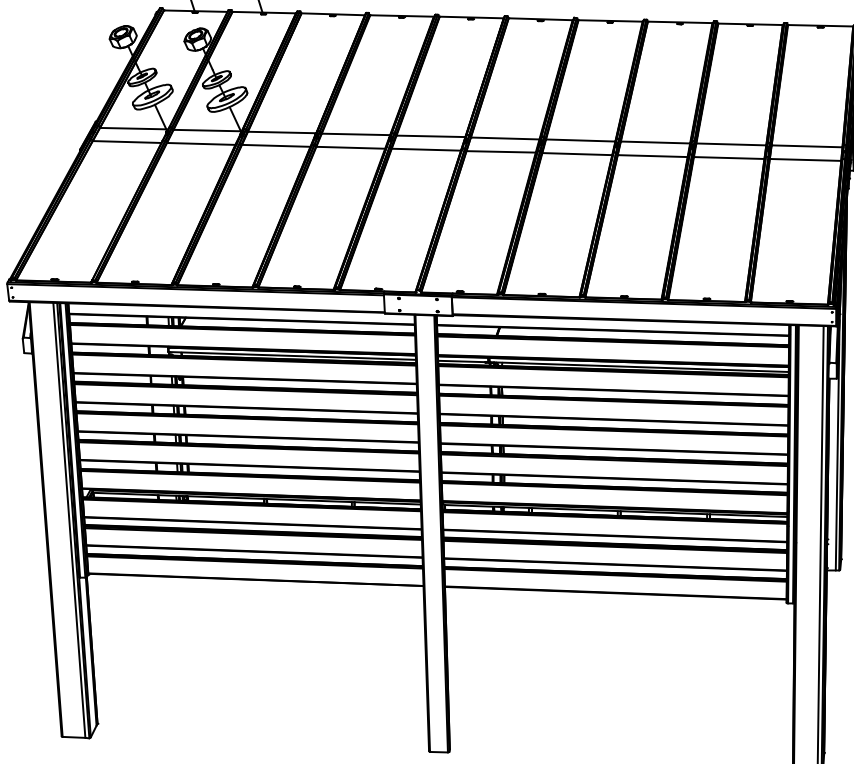
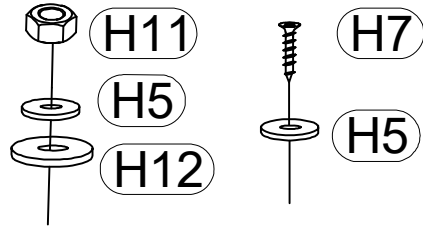
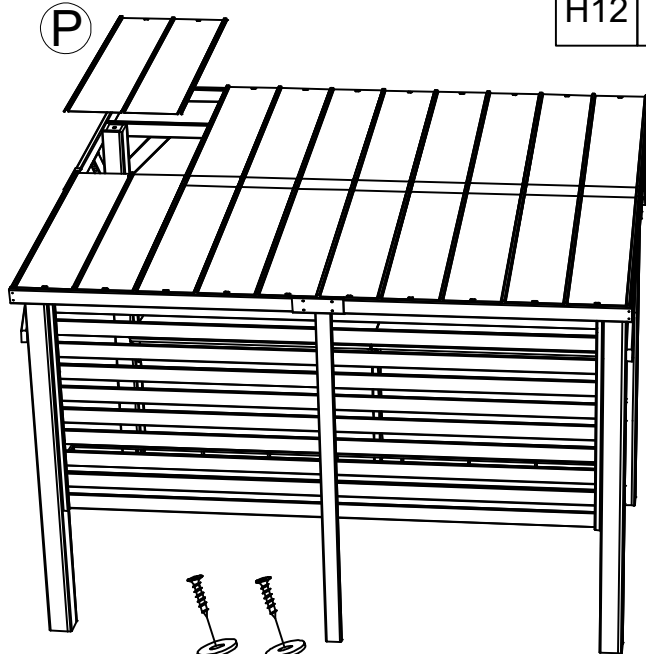
H7		M4X25	2
H5		M6-16	4
H12		RUBBER	2




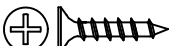
35

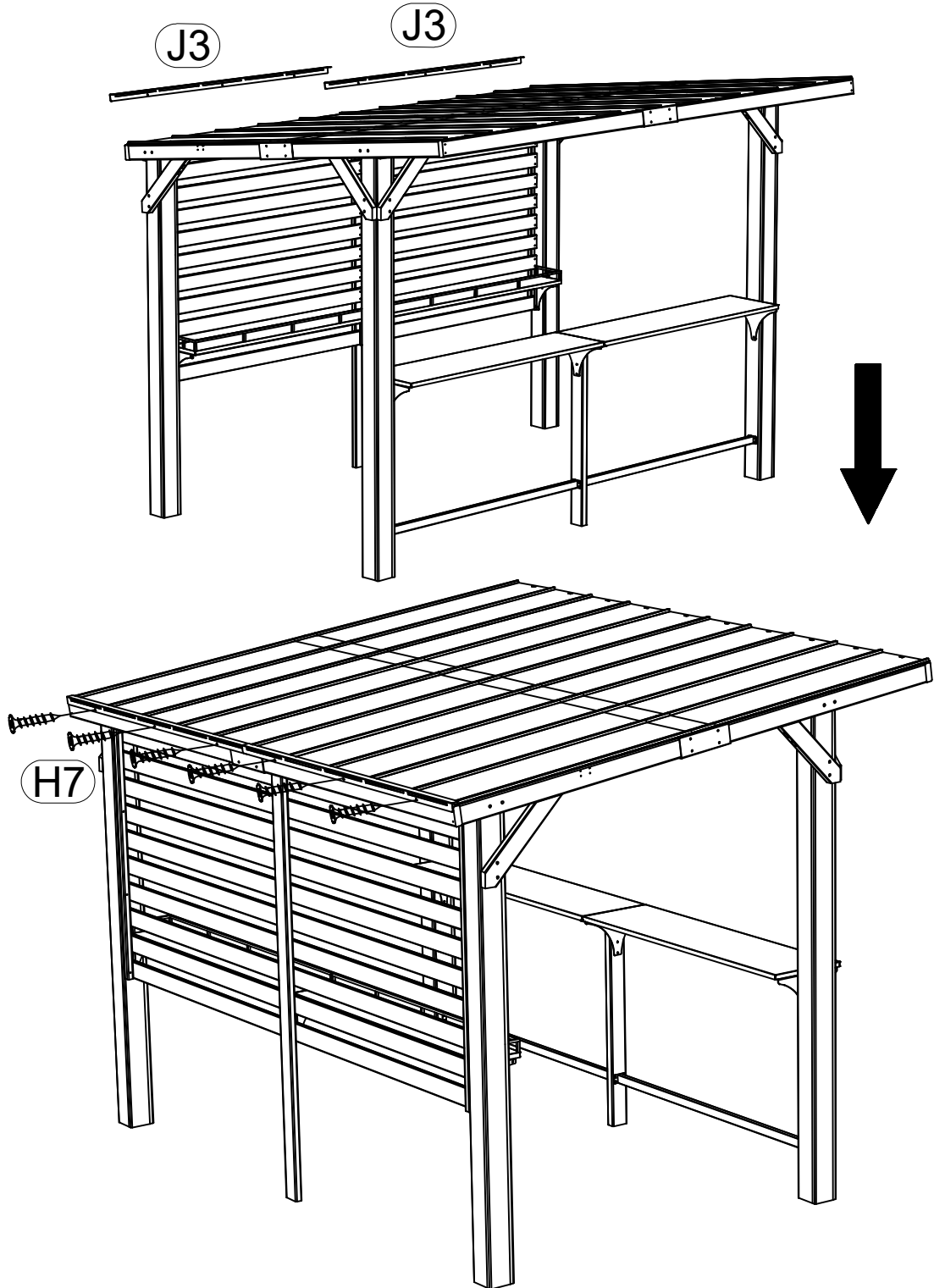
P		1
H11	 M6X16	2

H7		M4X25	2
H5		M6-16	4
H12		RUBBER	2





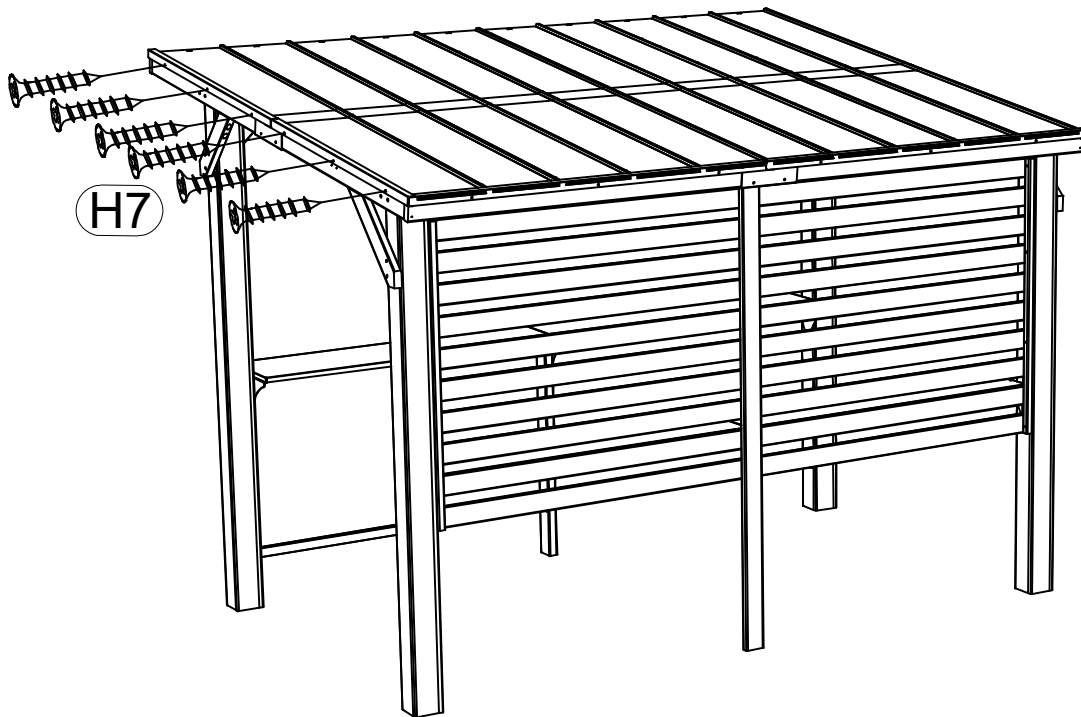
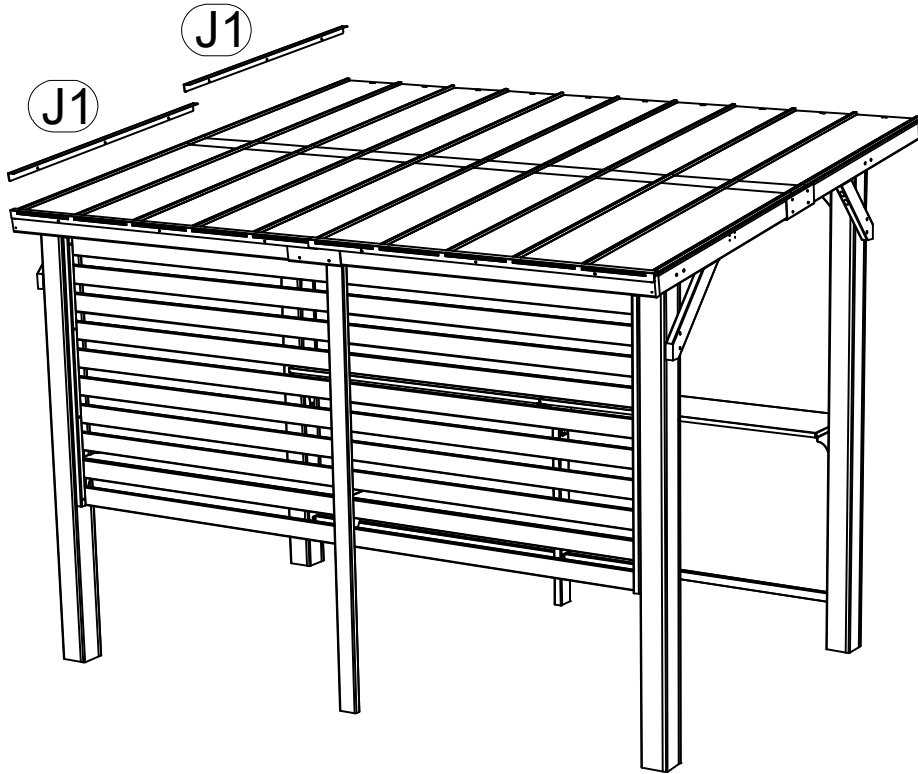
36

J3		2	H7		M4X25	6
----	---	---	----	--	-------	---





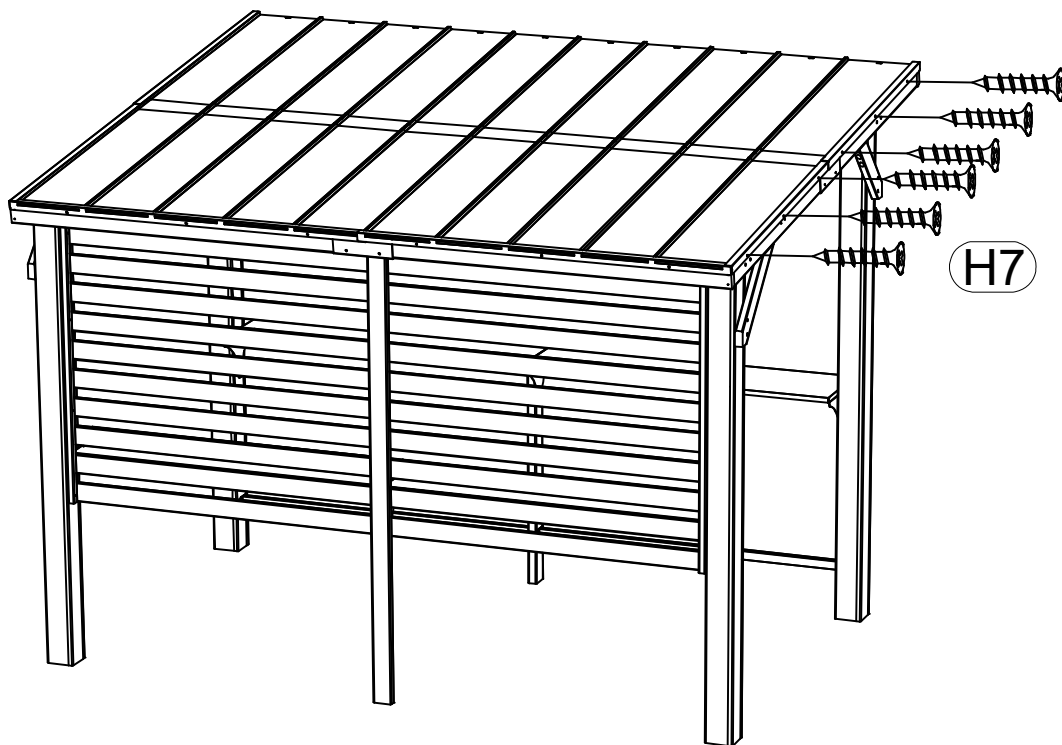
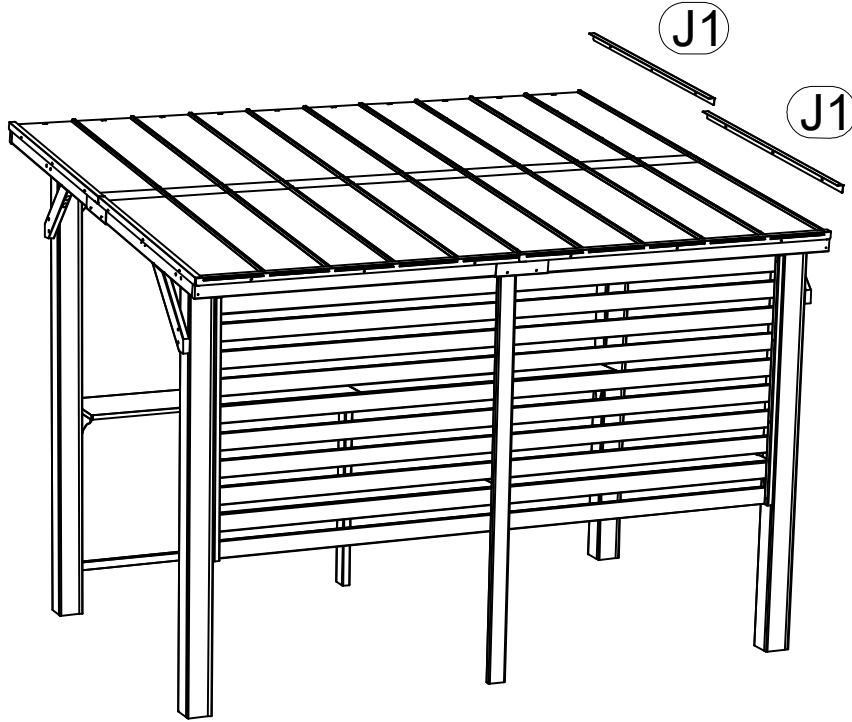
37

J1		2	H7		M4X25	6
----	---	---	----	--	-------	---





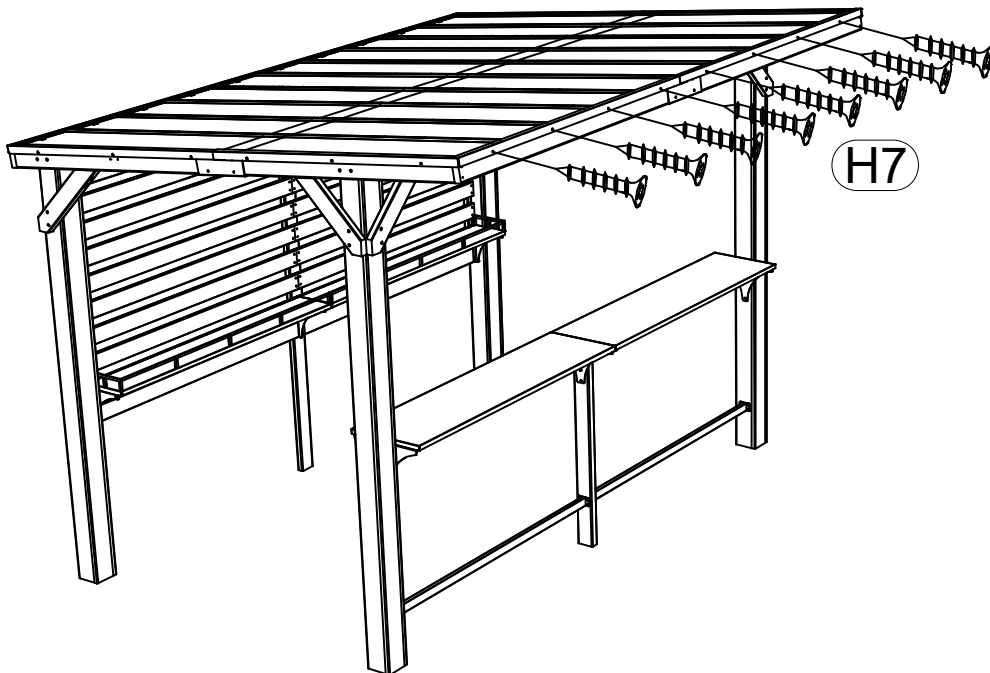
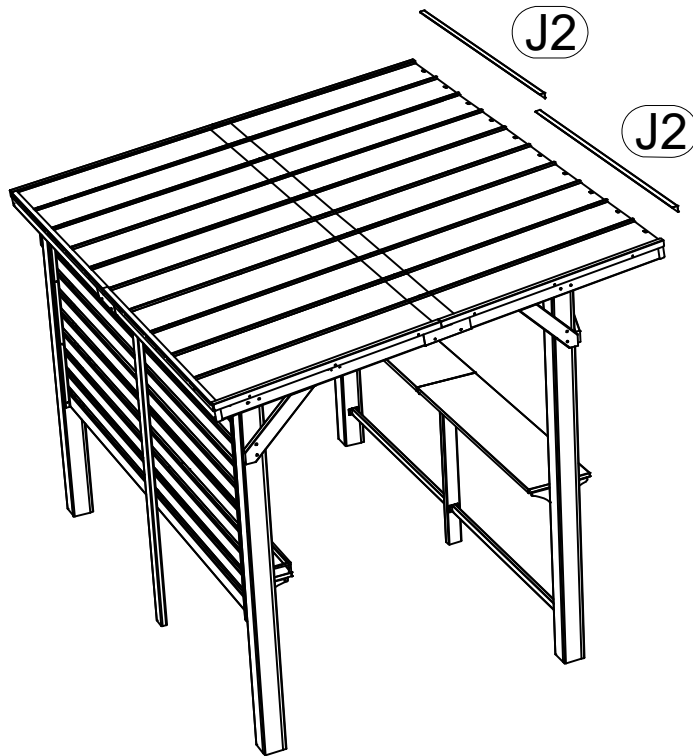
38



J1		2	H7		M4X25	6
----	---	---	----	--	-------	---

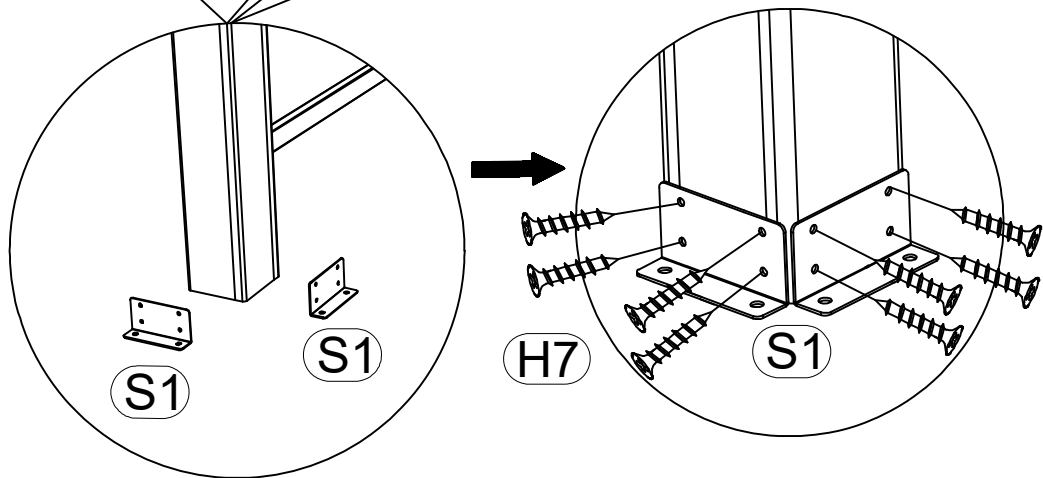
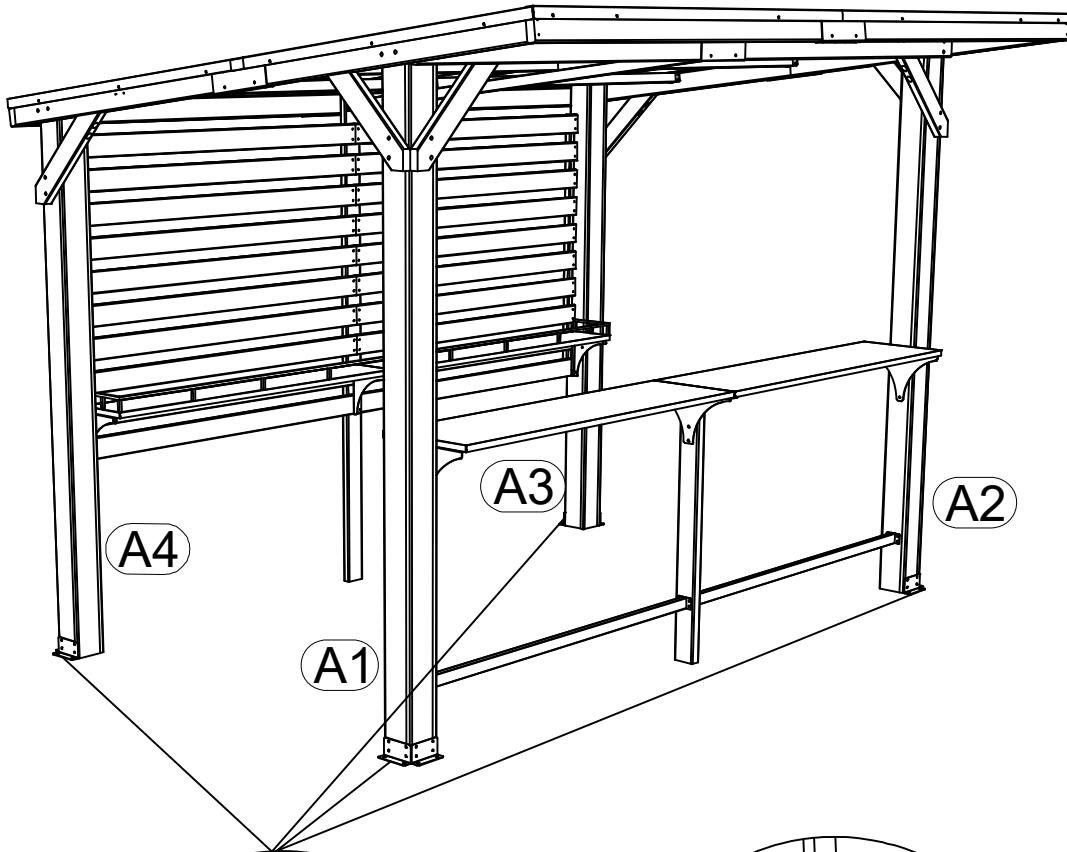


39



J2		2	H7		M4X25	8
----	---	---	----	--	-------	---

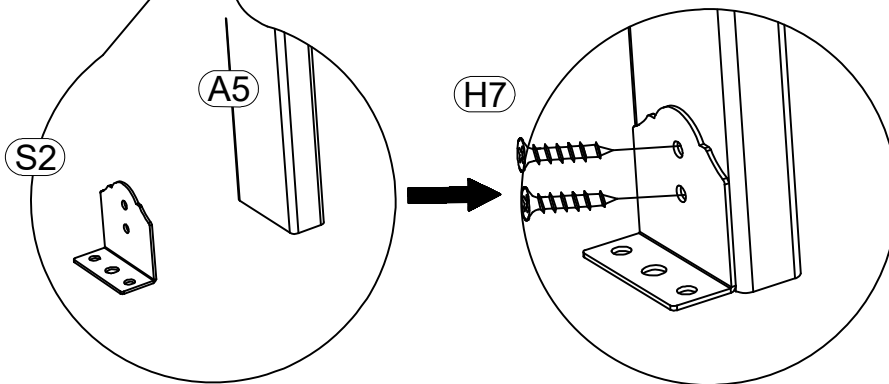
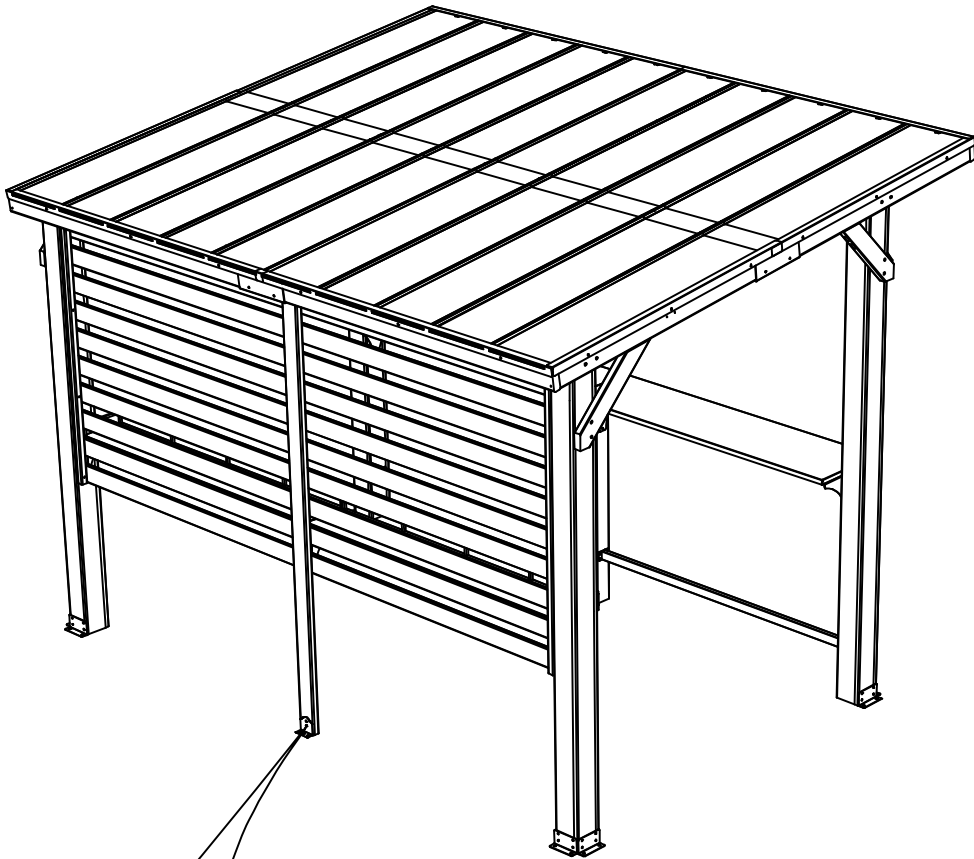




S1		8	H7		M4X25	32
----	---	---	----	--	-------	----

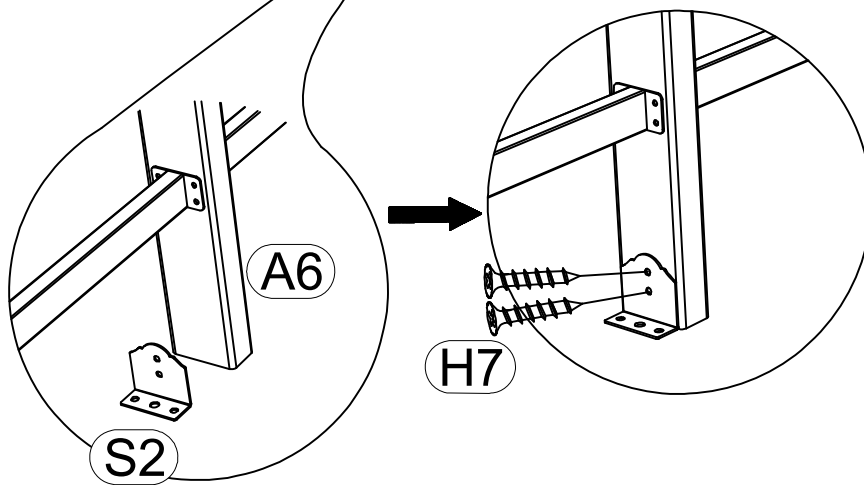
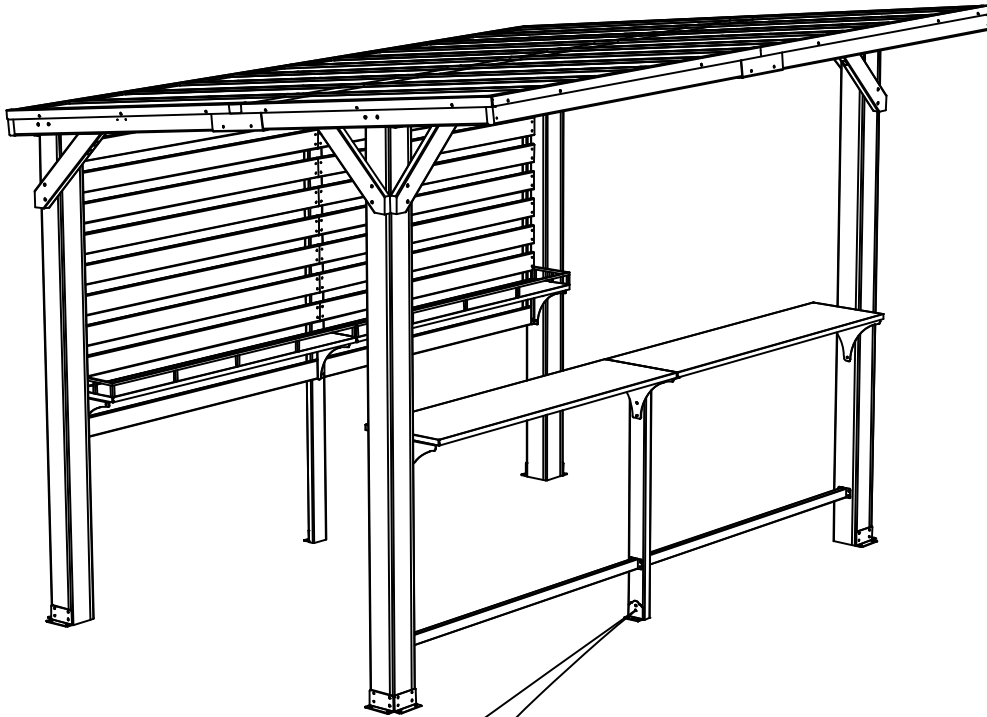


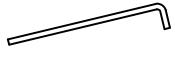

41

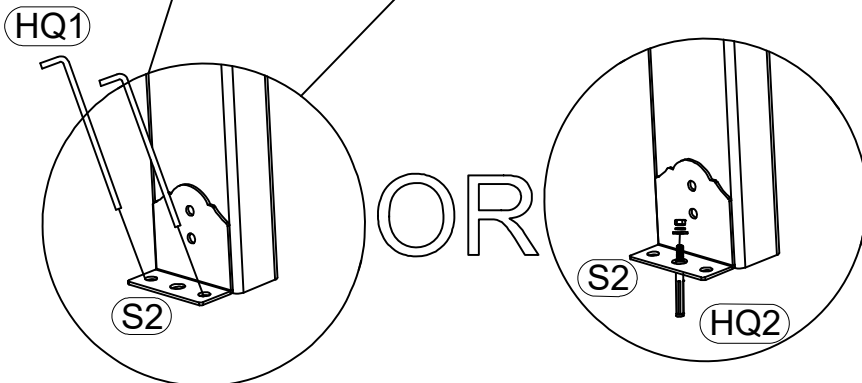
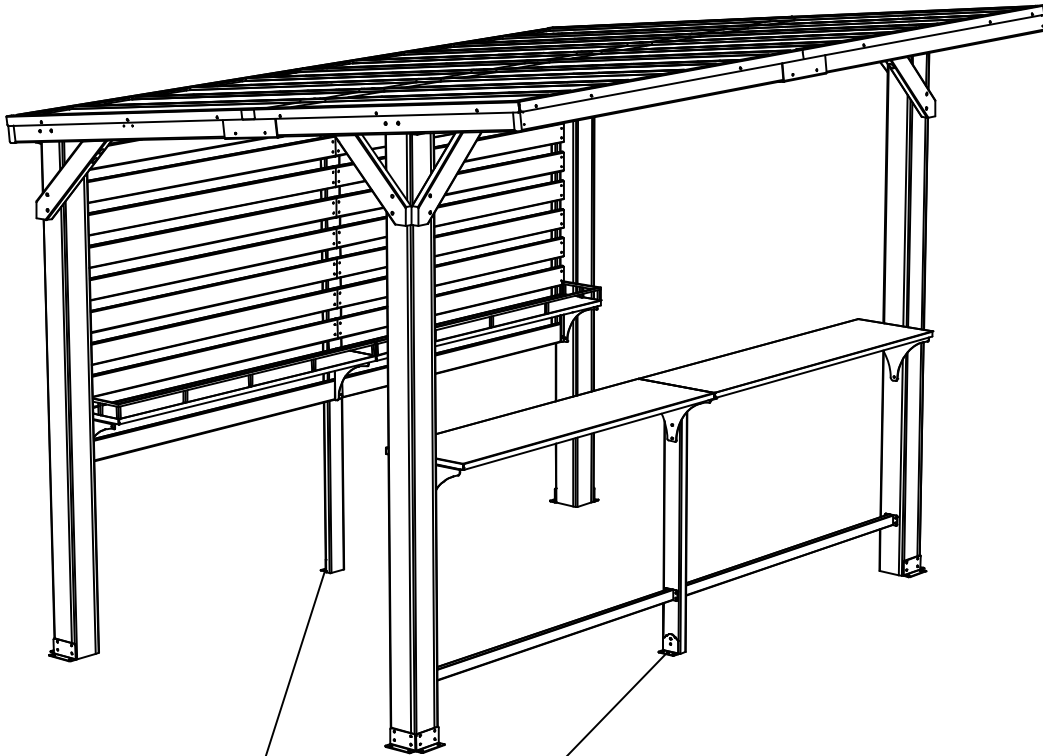
S2		1	H7		M4X25	2
----	---	---	----	--	-------	---





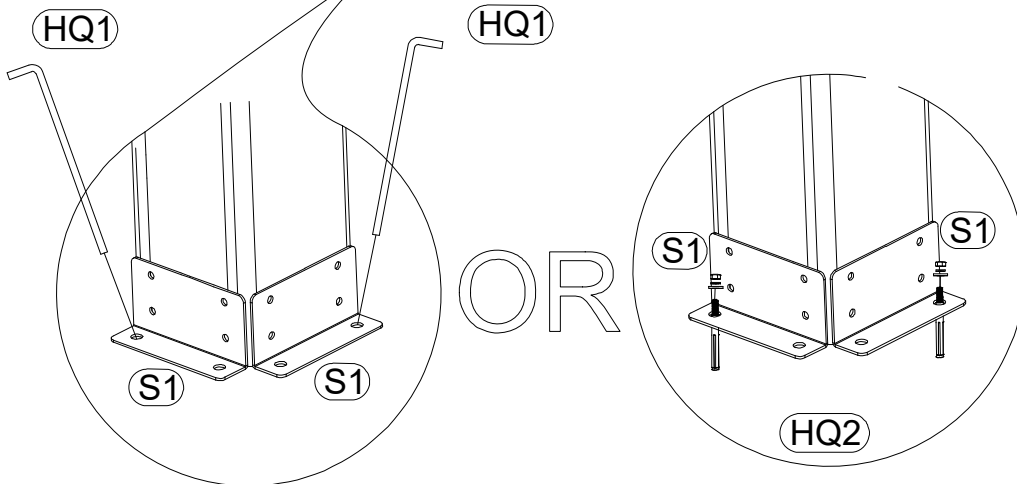
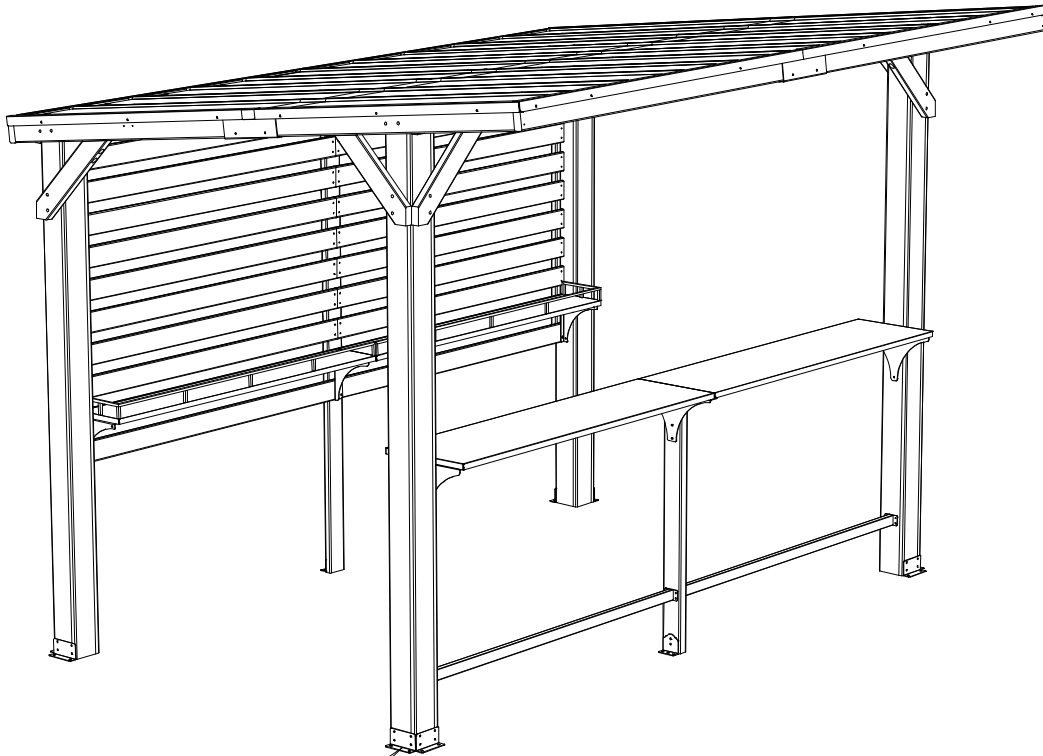
S2		1	H7		M4X25	2
----	---	---	----	--	-------	---



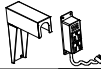

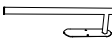
HQ1		4X140	4
HQ2		M8X70	2

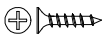


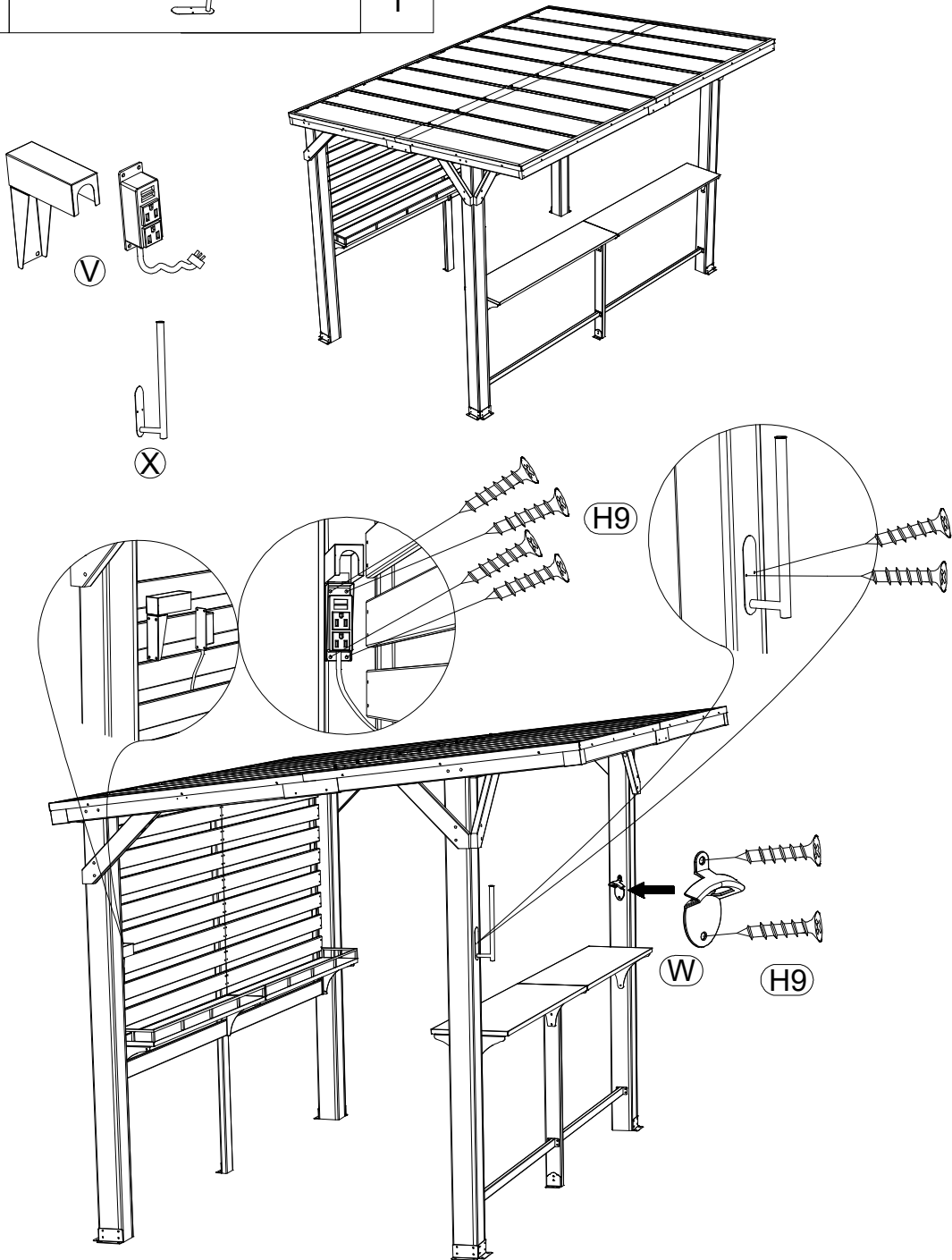
HQ1		4X140	8
HQ2		M8X70	8




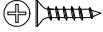

45

V		1
W		1
X		1

H9		M4X16	6
----	--	-------	---



46

U		1	H9		M4X16	8
			H5		M6-16	8

