

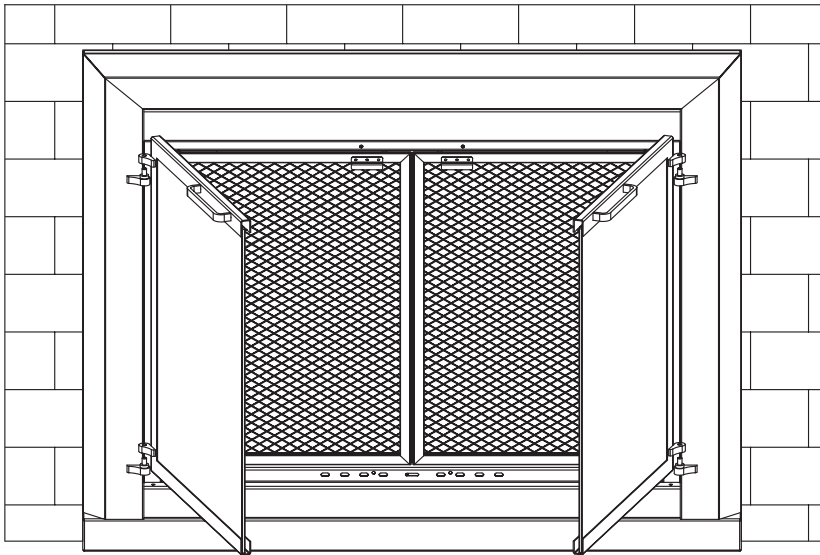
# allen + roth

ALLEN + ROTH and logo design are trademarks or registered trademarks of LF, LLC. All rights reserved.

# GLASS FIREPLACE DOORS

**Español p. 13**

**ATTACH YOUR RECEIPT HERE**



**Model No.**

4090166 / FPDS101BLK  
4090167 / FPDS102SLV  
4090168 / FPDS103ORB  
4090169 / FPDM104BLK  
4090170 / FPDM105SLV  
4090171 / FPDM106ORB  
4090172 / FPDL107BLK  
4090173 / FPDL108SLV  
4090174 / FPDL109ORB  
4090175 / FPDS201BLK  
4090176 / FPDS202SLV  
4090177 / FPDS203ORB  
4090178 / FPDM204BLK  
4090179 / FPDM205SLV

**Model No.**

4090180 / FPDM206ORB  
4090181 / FPDL207BLK  
4090182 / FPDL208SLV  
4090183 / FPDL209ORB  
4090184 / FPDS301BLK  
4090185 / FPDS302SLV  
4090186 / FPDS303ORB  
4090187 / FPDM304BLK  
4090188 / FPDM305SLV  
4090189 / FPDM306ORB  
4090190 / FPDL307BLK  
4090191 / FPDL308SLV  
4090192 / FPDL309ORB  
4090193 / FPDS401BLK

**Model No.**

4090194 / FPDS402SLV  
4090195 / FPDS403ORB  
4090196 / FPDM404BLK  
4090197 / FPDM405SLV  
4090198 / FPDM406ORB  
4090199 / FPDL407BLK  
4090200 / FPDL408SLV  
4090201 / FPDL409ORB  
4090202 / FPDS501BLK  
4090203 / FPDS502SLV  
4090204 / FPDS503ORB  
4090205 / FPDM504BLK  
4090206 / FPDM505SLV  
4090207 / FPDM506ORB

**Model No.**

4090208 / FPDL507BLK  
4090209 / FPDL508SLV  
4090210 / FPDL509ORB  
4090211 / FPDS601BLK  
4090212 / FPDS602SLV  
4090213 / FPDS603ORB  
4090214 / FPDM604BLK  
4090215 / FPDM605SLV  
4090216 / FPDM606ORB  
4090217 / FPDL607BLK  
4090218 / FPDL608SLV  
4090219 / FPDL609ORB

**KEEP THIS MANUAL FOR FUTURE REFERENCE**

**Model No.** \_\_\_\_\_ **Size** \_\_\_\_\_

**Finish** \_\_\_\_\_ **Dimensions** \_\_\_\_\_

*This information can be found on the carton label.*



**Questions, problems, missing parts?** Before returning to your retailer, call our customer service department at: 1-866-439-9800, 8 a.m. - 8 p.m., EST, Monday - Sunday. You can also contact us at [partsplus@lowes.com](mailto:partsplus@lowes.com) or visit [www.lowespartsplus.com](http://www.lowespartsplus.com).

## TABLE OF CONTENTS

---

Installation Guidelines .....	2
Package Contents / Hardware.....	3
Safety Information .....	4
Preparation & Installation Video QR Code .....	4
Installation Instructions.....	5
Care and Maintenance .....	10
Warranty .....	11

## INSTALLATION GUIDELINES

---

- This glass door unit is designed to overlap and cover the front of your fireplace opening and only covers a certain range of fireplace sizes.

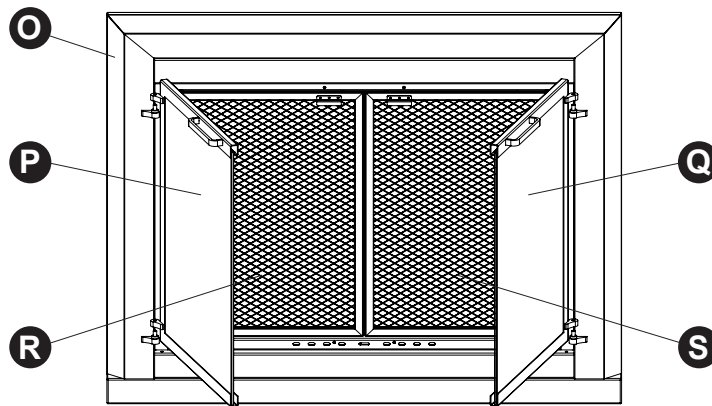
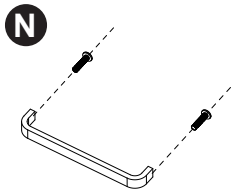
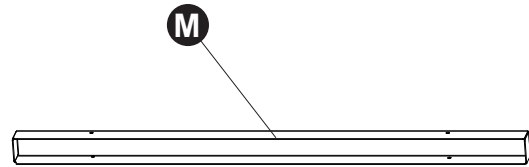
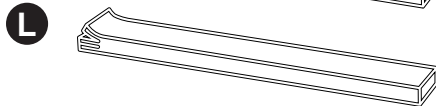
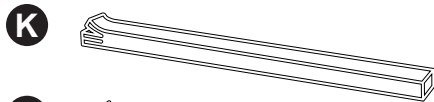
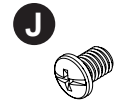
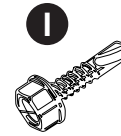
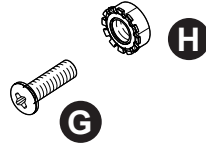
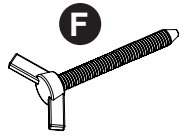
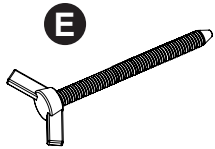
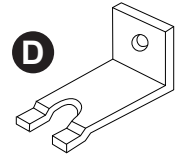
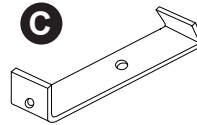
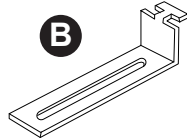
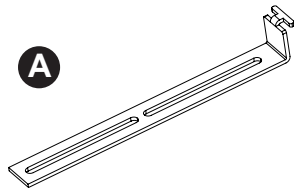
To ensure you have purchased the correct door unit for your fireplace, see the chart below:

SIZE	OVERALL DOOR DIMENSIONS	FITS FIREPLACE OPENING	
	Width x Height	Width	Height
<b>Small</b>	37.5" x 30"*	30" - 37"	22.5" - 29.5"
<b>Medium</b>	37.5" x 33"*	30" - 37"	25.5" - 32.5"
<b>Large</b>	43.5" x 33"*	36" - 43"	25.5" - 32.5"

*\*Height includes a 2" riser bar (not assembled). See assembly instructions for details.*

- This glass door unit is only intended for brick and mortar (masonry) fireplaces. Do not install this unit on a prefabricated (metal) fireplace.
- Be sure to check with your local municipality for any regional ordinances or codes before installing this unit.

## PACKAGE CONTENTS / HARDWARE



PART	DESCRIPTION	QTY
A	Long T-Bracket	2
B	Short T-Bracket	2
C	Lintel Clamp	2
D	Pressure Bracket	2
E	Long Thumbscrew (1/4-20 x 3 1/2")	2
F	Short Thumbscrew (1/4-20 x 2")	2
G	Long Machine Screw (8-32 x 5/8")	4
H	Hex Nut	4
I	Thread Cutting Screw (#10 x 1")	4
J	Short Machine Screw (1/4-20 x 1/4")	4

PART	DESCRIPTION	QTY
K	Heat-Resistant Fiberglass Insulation (Narrow Pieces: 2" Wide)	3
L	Heat-Resistant Fiberglass Insulation (Wide Pieces: 3" Wide)	3
M	Riser Bar	1
N	Door Handle* with 2 Screws (M4 x 20)*	2
O	Door Frame	1
P	Left Door	1
Q	Right Door	1
R	Left Screen	1
S	Right Screen	1

\*Pre-assembled


## SAFETY INFORMATION

---

Before installing your fireplace doors, be sure to read all safety and assembly information to ensure the proper operation of the unit. If you have any questions regarding the proper use of this product, be sure to contact our customer service department, whose contact information is found in our warranty.

### WARNINGS

- **DO NOT** close the glass doors while a fire is burning in the fireplace. Even though the doors are made of tempered glass, the glass can still shatter if exposed to excessive heat.
- **DO NOT** leave the screen doors open while the fire is burning. Be sure to leave the screen doors closed while a fire is burning in the fireplace. This will prevent sparks from escaping from the fireplace.
- **DO NOT** allow any cold liquid or substance to come in contact with the glass doors while they are hot. This could cause the glass to shatter.
- **DO NOT** build a fire that is too large or place the firewood grate too close to the screen doors to avoid discoloration of the frame.
- **DO** adjust the damper found at the bottom front of the screen doors to allow for proper air flow into your fire.

 **WARNING:** This product can expose you to chemicals, including lead and lead components which are known to the State of California to cause cancer, birth defects, and other reproductive harm. Wash your hands after handling this product. For more information go to [www.P65Warnings.ca.gov](http://www.P65Warnings.ca.gov).

### FIREPLACE PRECAUTIONS

- Before operating a new fireplace, be sure to neutralize the fireplace by applying a diluted solution of ammonia, followed by a warm then cold rinse.
- Never store combustible or volatile substances inside the fireplace.
- Keep all combustible and volatile substances away from the front of the fireplace.
- Do not use any combustible or volatile substances to help start a fire.
- Open the chimney damper before starting a fire.
- Keep children and pets away from the fireplace while in use.
- Do not touch any part of the glass door unit with your bare hands while a fire is burning. Always use an insulated glove to open and close the doors and damper.
- Never use your fireplace as an incinerator.
- Always allow ashes to fully burn out and cool before disposing.

## PREPARATION

---

Before beginning assembly of product, make sure all parts are present. Compare parts with package contents list. If any part is missing or damaged, do not attempt to assemble the product.

**Package Removal:** Carefully remove the glass door unit and all other pieces from the box, placing the glass door unit face down on a soft flat surface.

**Tools Required for Assembly (not included):** Flathead Screwdriver, Phillips Head Screwdriver, Work Gloves, Measuring Tape, Scissors

## INSTALLATION VIDEO

---

Scan QR code below for assembly video.



## INSTALLATION INSTRUCTIONS

### DETERMINING IF THE RISER BAR IS NEEDED


- You may or may not need to install the riser bar, depending on the height of your fireplace.
- To determine if you need the riser bar, place the glass door unit in front of your fireplace to see if it fits your fireplace opening.
- If the top of the glass door unit does not reach the top of your fireplace opening, you can install the Riser Bar to the bottom of the unit to add extra height to the unit.

### 1. RISER BAR INSTALLATION

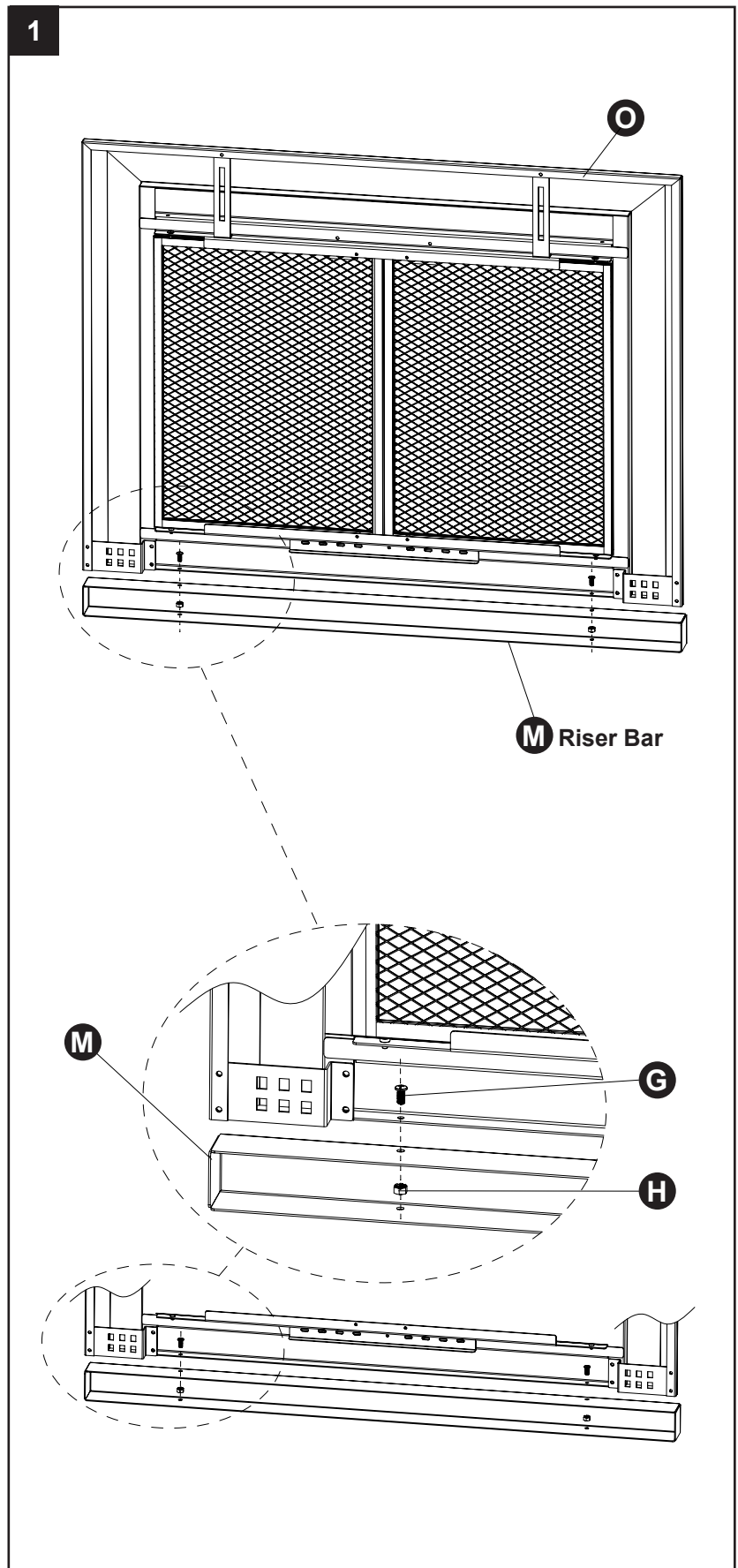
To attach the riser bar:

- Lay the unit face down on a soft flat surface.
- Attach the Riser Bar (M) to the bottom of the unit by inserting the Long Machine Screws (G) through the holes in the Riser Bar and the holes on the bottom of the unit, as shown.
- Secure the Long Machine Screws using the Hex Nuts (H), as shown.

#### Hardware Used

**G** Long Machine Screws (x2) 

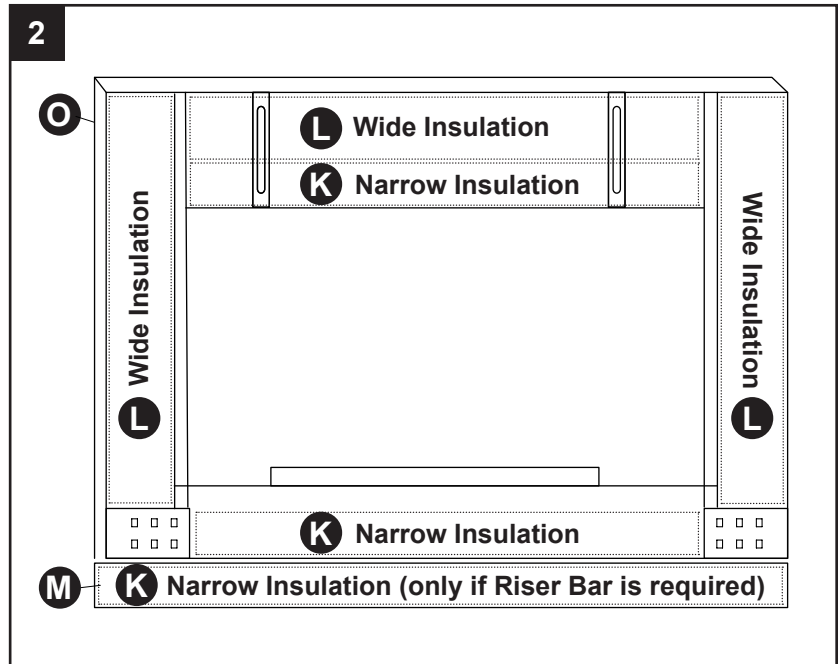
**H** Hex Nuts (x2) 



## INSTALLATION INSTRUCTIONS

### 2. INSERTING THE INSULATION


- Be sure to wear work gloves while handling the insulation strips.
- Trim insulation strips to fit with scissors.
- Lay the unit face down on a soft flat surface.
- Insert the Wide (L) and Narrow (K) Strips of Fiberglass Insulation into the wide and narrow gaps on the back of the unit, including the Riser Bar.



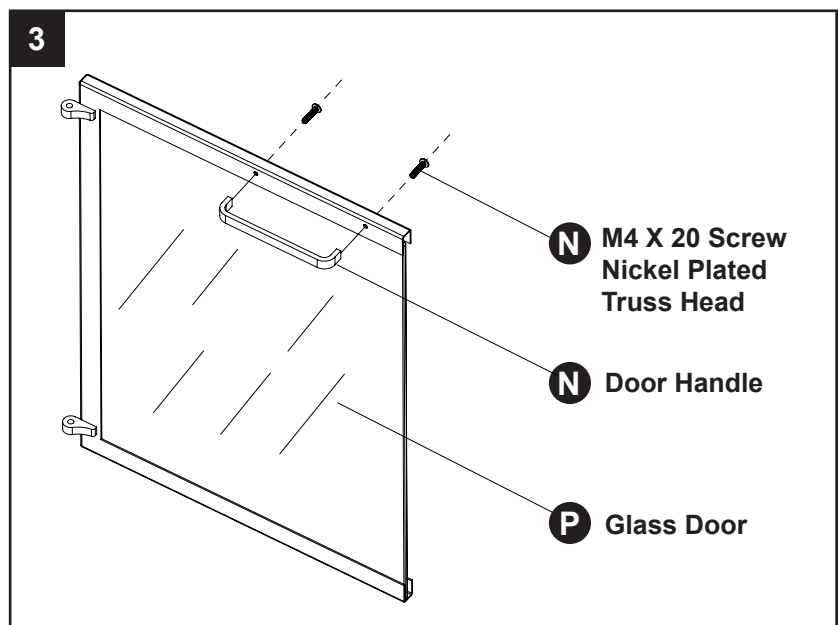
### 3. DOOR HANDLE ASSEMBLY\*

- Assemble the door handles to the glass doors, as shown, using the enclosed screws.

#### Hardware Used

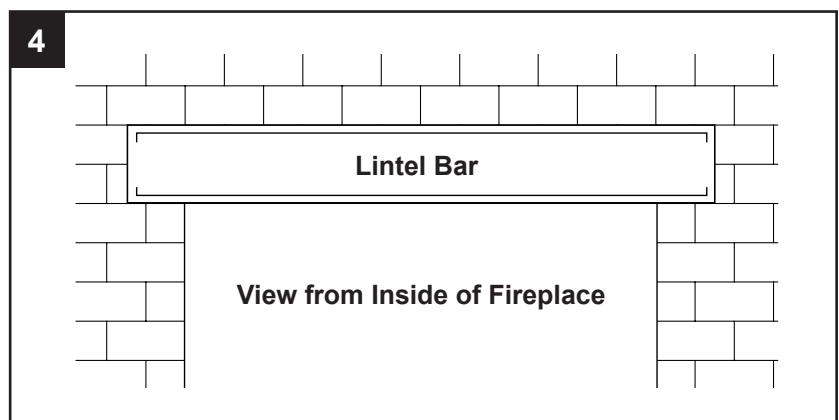
- N** Door Handles (x2) and  
M4 x 20 Screws (x4) 

\*Pre-assembled



### 4. LOCATING THE LINTEL BAR

- The lintel bar is the L-shaped metal bar that runs along the top of the inside opening of your fireplace, holding the bricks in place.



# INSTALLATION INSTRUCTIONS

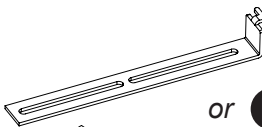
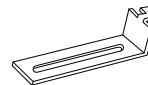
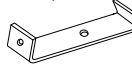


## 5. ASSEMBLING THE BRACKETS

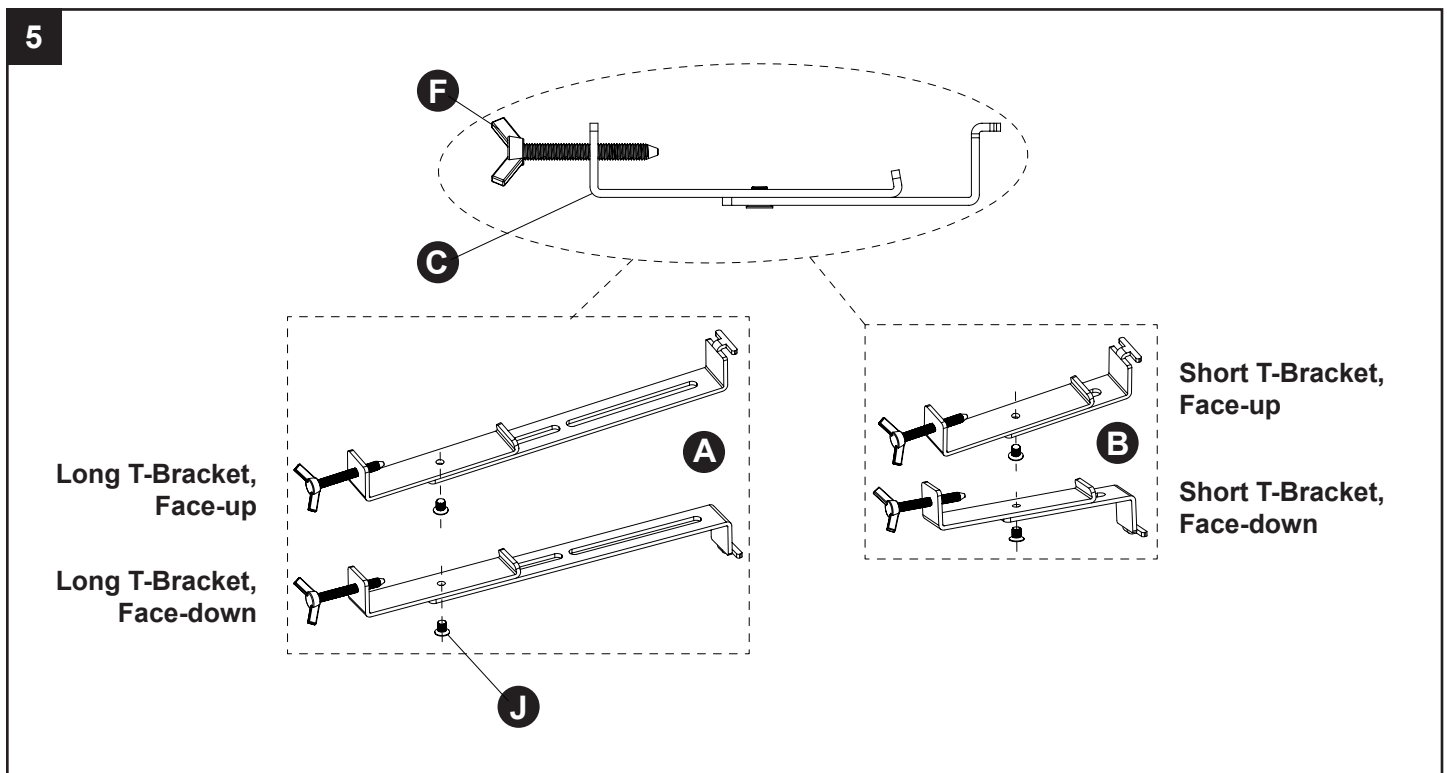
Before attaching the unit to your lintel bar, you have to assemble the brackets.

- You will use either the Long T-Brackets (A) or the Short T-Brackets (B) to attach the unit to your fireplace, depending on the width of your lintel bar.
- Use a measuring tape to measure the width of your lintel bar, measuring from the back of the lintel bar to the front of your fireplace.
- Use the width measurement of your lintel bar to determine whether you will need the Long T-Brackets or the Short T-Brackets.
- Assemble the 2 T-Brackets (long or short) to the 2 Lintel Clamps (C), using the Short Machine Screws (J).
- Do not over-tighten the machine screws yet. Leave them loose. You will tighten them later when you adjust the width of the clamp.
- Insert the Short Thumb Screws (F) into the back of the Lintel Clamps, as shown.

NOTE: You can assemble the T-Brackets to the Lintel Clamps either face-up or face-down (as shown), depending on the height of your fireplace. Try it face-up first. If the clamps do not fit your fireplace properly, you can always go back and re-assemble them face-down.

### Hardware Used

- A** Long T-Brackets (x2)  or **B** Short T-Brackets (x2) 
- C** Lintel Clamps (x2) 
- J** Short Machine Screws (x2) 
- F** Short Thumb Screws (x2) 

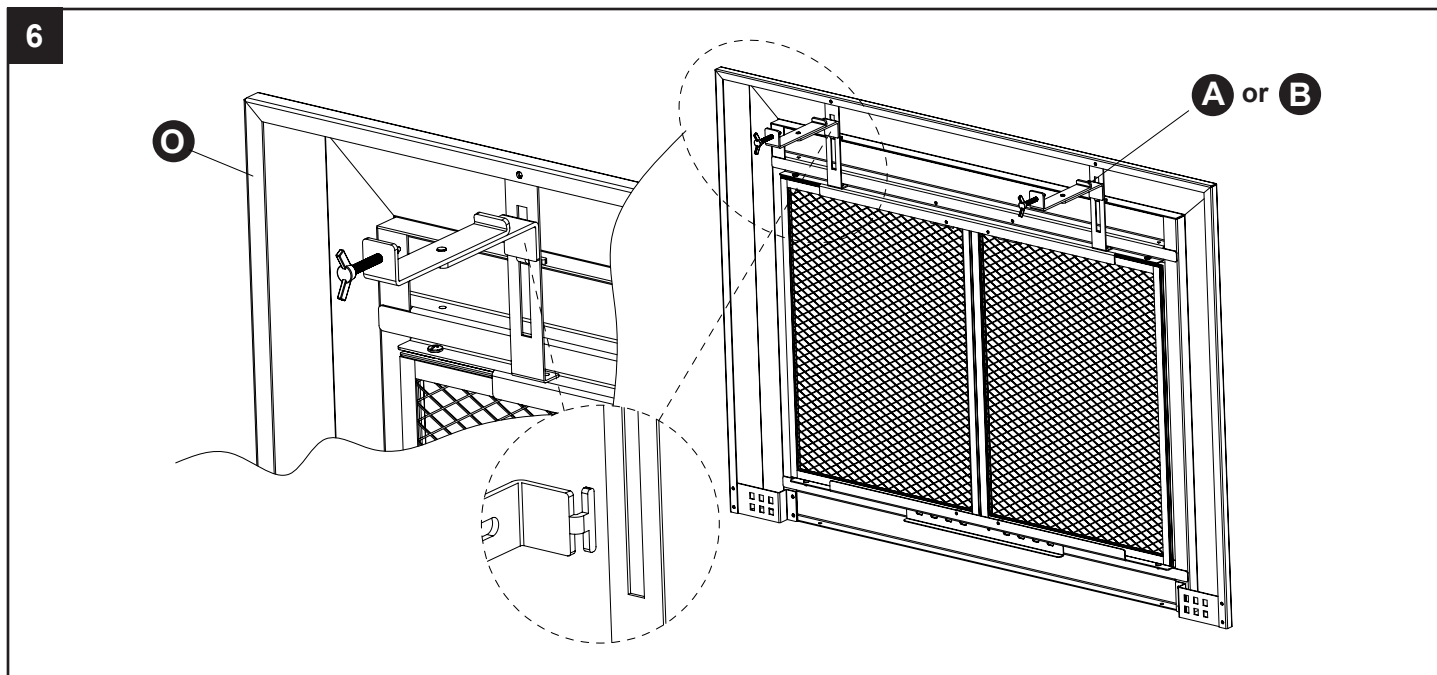


## INSTALLATION INSTRUCTIONS

### 6. INSERTING THE ASSEMBLED BRACKETS INTO YOUR DOOR UNIT

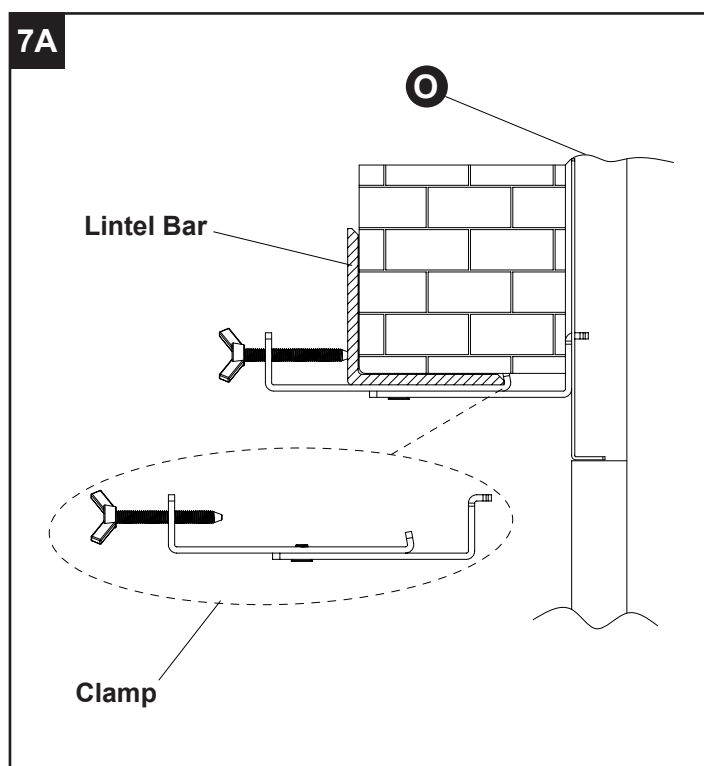
Now that the brackets are assembled, you are ready to attach the door unit to your lintel bar. (Recommendation: This part of the installation might require 2 people – one person to hold the unit in place, while the other person clamps the unit to the fireplace.)

- Insert the “T” of each T-Bracket into the slots found on the back of the door unit. Insert each “T” vertically into the slot, and then turn it until it’s horizontal. The assembled T-Brackets/Lintel Clamps should now be hanging loosely in the slots.



### 7A. ATTACHING THE UNIT TO YOUR LINTEL BAR

- Open both the glass doors and the screen doors on the unit.
- With the doors open, place the unit against the front of your fireplace opening. (This is where you may need assistance holding the unit in place while you clamp it to the lintel bar.)
- With the unit in place, reach inside the fireplace and position the T-Bracket/Lintel Clamp over the lintel bar.
- Adjust the width of the T-Bracket/Lintel Clamp until it is snugly grasping the lintel bar and tighten the Small Machine Screw.
- With the T-Bracket/Lintel Clamp fitting snugly over the lintel bar, tighten the thumb screw until the unit is held firmly in place.
- With both thumb screws securely tightened, the unit is now firmly attached to the top of your fireplace.





## INSTALLATION INSTRUCTIONS

### 7B. ALTERNATE ATTACHMENT METHOD FOR THE TOP OF THE DOORS ONLY

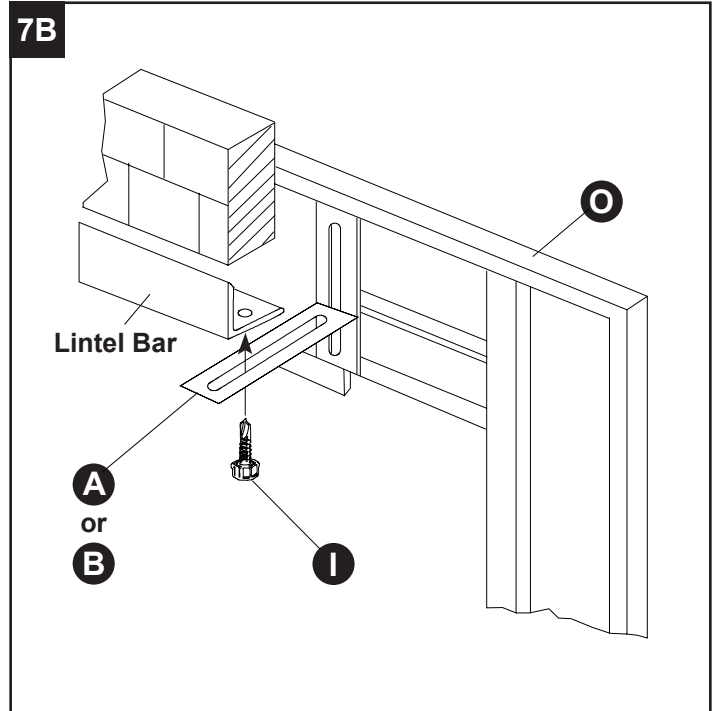
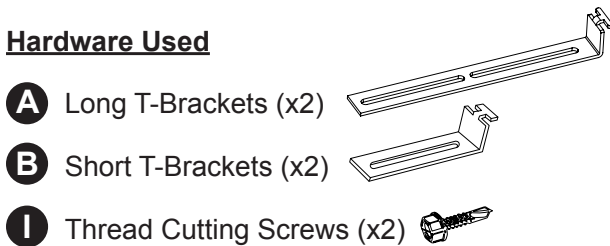
If the attachment Brackets and Lintel Clamps do not attach to your fireplace, use this alternate attachment method.

**Additional Tools Required:** Electric Drill, 7/32" High Speed Steel Bit, Pencil and Safety Glasses

**(RECOMMENDATION:** This part of the installation might require 2 people – one person to hold the unit in place, while the other person measures and attaches the unit to the fireplace.)

- Select a T-Bracket that will sit flush with your lintel bar: Long T-Brackets (A) or Short T-Brackets (B).
- Attach the selected T-Bracket to the door. Place the glass doors against the fireplace opening and center.
- Use your pencil and mark through the T-Bracket, on the lintel. Mark both sides.
- Remove the glass doors and drill a 7/32" hole into the lintel bar at each marked location.
- Place the glass doors against the fireplace opening and line up the brackets to the holes in the lintel bar.
- Use the Thread Cutting Screw (I) to attach both T-Brackets to the lintel bar.

#### Hardware Used

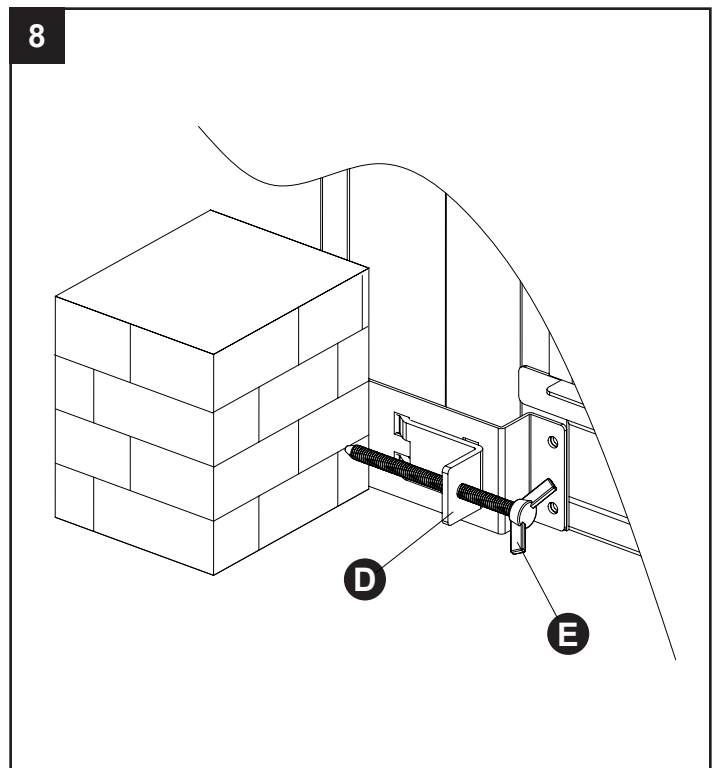
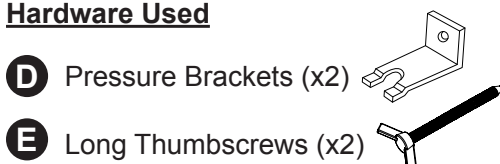


### 8. SECURING THE BOTTOM OF THE UNIT TO THE WALL

- Insert the 2 Long Thumbscrews (E) into the 2 Pressure Brackets (D), as shown.
- Insert the Pressure Brackets into the holes found on the bottom of the back of the door unit. Choose the holes that will best fit the size of your fireplace.
- Tighten the Long Thumbscrews until the point of each thumbscrew is digging into the brick on the side of your fireplace.
- If the thumbscrews do not reach the brick or are too long, you can re-position the Pressure Brackets by inserting them into a different set of holes on the unit.

Your glass door unit is now securely attached to your fireplace!

#### Hardware Used



## INSTALLATION INSTRUCTIONS

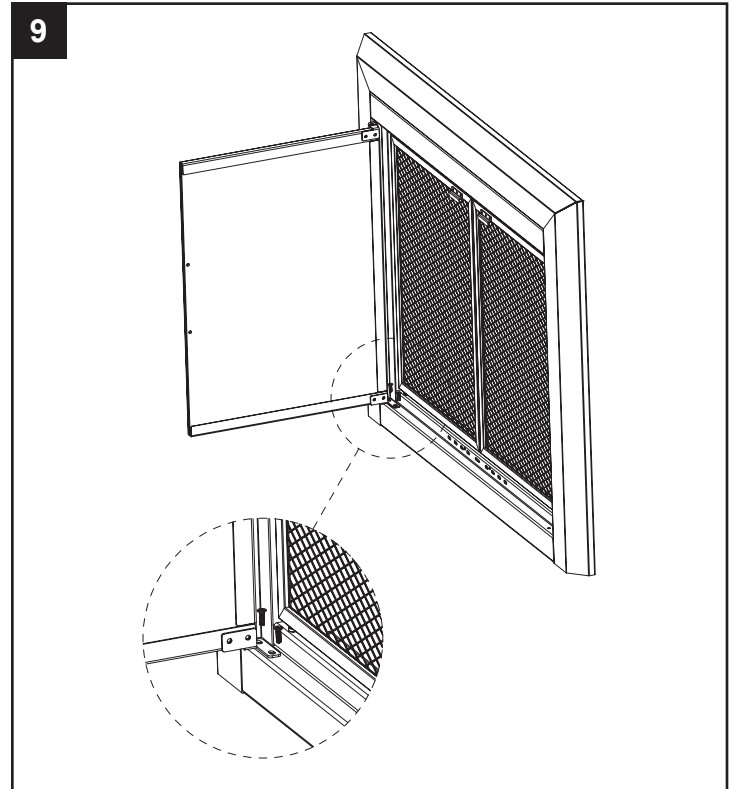
### 9. GLASS DOOR ADJUSTMENT

**Note: some models do not have these hinge styles and therefore this step can be skipped.**

The glass doors are attached to your unit with 4 hinges (2 hinges on each door). Each hinge is attached to the frame of the unit with 2 adjustable screws.

If the glass doors are not aligned properly, they can be easily adjusted:

- Loosen the 2 screws on one of the hinges.  
**DO NOT** remove the screws – just loosen them.
- Adjust the position of the door.
- Once the door is positioned properly, re-tighten the screws.
- If necessary, loosen the other hinge, adjust the door, and re-tighten.



## CARE AND MAINTENANCE

**WARNING: DO NOT** allow any cold liquid or substance to come in contact with the glass doors while they are hot. This could cause the glass to shatter.

### GLASS:

- Allow glass to cool fully before cleaning.
- Clean the glass with a diluted solution of ammonia and a clean cloth.
- **DO NOT** use scouring pads or harsh chemicals as it may damage the tempered glass.

### FRAME:

- Clean the surface of the unit with a damp cloth.
- If necessary, use a diluted solution of alcohol to remove fingerprints or other markings.
- **DO NOT** clean with scouring pads, harsh chemicals, cleaners, or solvents.

## WARRANTY

---

We warrant to the original retail purchaser of this product, and to no other person, that if this product is assembled, maintained, and operated in accordance with the printed instructions accompanying it, then for a period of one (1) year from the date of purchase, all parts in such product shall be free from defects in material and workmanship. We may require reasonable proof of your date of purchase. Therefore, you should retain your sales slip or invoice. This Limited Warranty shall be limited to replacement parts, which prove defective under normal use and service and which we shall determine in its reasonable discretion upon examination to be defective. Before returning any parts, you should contact our customer service department using the contact information listed on the cover of this manual. If we confirm, after examination, a defect covered by this Limited Warranty in any returned part, and if we approve the claim, we will replace such defective part without charge. If you return defective parts, transportation charges must be prepaid by you. We will return replacement parts to the original retail purchaser, freight or postage prepaid.

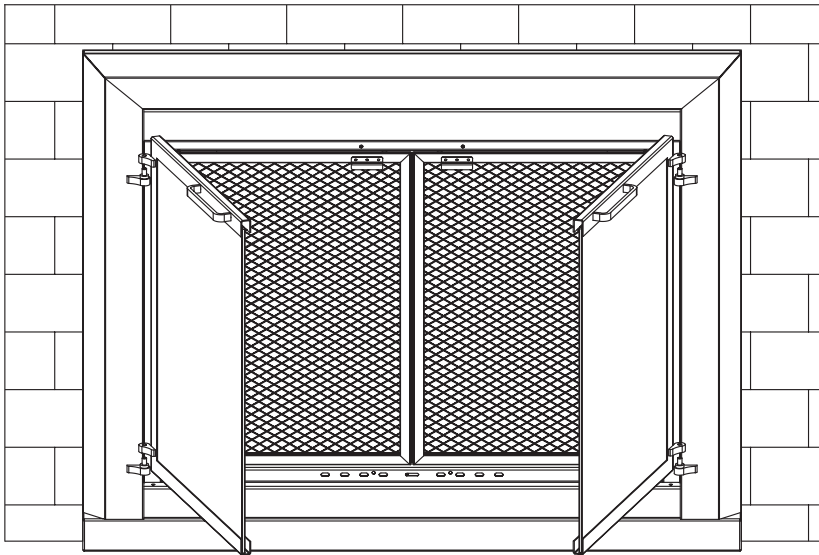
This Limited Warranty does not cover any failures or operating difficulties due to accident, abuse, misuse, alteration, misapplication, improper installation or improper maintenance or service by you or any third party, or failure to perform normal and routine maintenance on the product as set out in this owner's manual. In addition, the Limited Warranty does not cover damage to the finish, such as scratches, dents, discoloration, rust or other weather damage, after purchase.

This Limited Warranty is in lieu of all other expressed warranties. We disclaim all warranties for products that are purchased from sellers other than authorized retailers or distributors, including the warranty of merchantability or the warranty of fitness for a particular purpose. WE ALSO DISCLAIM ANY AND ALL IMPLIED WARRANTIES, INCLUDING WITHOUT LIMITATION THE IMPLIED WARRANTIES OF MERCHANTABILITY AND FITNESS FOR A PARTICULAR PURPOSE. WE SHALL HAVE NO LIABILITY TO PURCHASER OR ANY THIRD PARTY FOR ANY SPECIAL, INDIRECT, PUNITIVE, INCIDENTAL, OR CONSEQUENTIAL DAMAGES. We further disclaim any implied or express warranty of, and assumes no responsibility for, defects in workmanship caused by third parties.

This Limited Warranty gives the purchaser specific legal rights; a purchaser may have other rights depending upon where he or she lives. Some jurisdictions do not allow the exclusion or limitation of special, incidental or consequential damages, or limitations on how long a warranty lasts, so the above exclusion and limitations may not apply to everyone.

We do not authorize any person or company to assume for it any other obligation or liability in connection with the sale, installation, use, removal, return, or replacement of its equipment, and no such representations are binding on us. This warranty gives you specific legal rights, and you may also have the other rights that vary from state to state. As some states do not allow exclusions or limitations on an implied warranty, the above exclusions and limitations may not apply.





**Modelo No.**

4090166 / FPDS101BLK  
 4090167 / FPDS102SLV  
 4090168 / FPDS103ORB  
 4090169 / FPDM104BLK  
 4090170 / FPDM105SLV  
 4090171 / FPDM106ORB  
 4090172 / FPDL107BLK  
 4090173 / FPDL108SLV  
 4090174 / FPDL109ORB  
 4090175 / FPDS201BLK  
 4090176 / FPDS202SLV  
 4090177 / FPDS203ORB  
 4090178 / FPDM204BLK  
 4090179 / FPDM205SLV

**Modelo No.**

4090180 / FPDM206ORB  
 4090181 / FPDL207BLK  
 4090182 / FPDL208SLV  
 4090183 / FPDL209ORB  
 4090184 / FPDS301BLK  
 4090185 / FPDS302SLV  
 4090186 / FPDS303ORB  
 4090187 / FPDM304BLK  
 4090188 / FPDM305SLV  
 4090189 / FPDM306ORB  
 4090190 / FPDL307BLK  
 4090191 / FPDL308SLV  
 4090192 / FPDL309ORB  
 4090193 / FPDS401BLK

**Modelo No.**

4090194 / FPDS402SLV  
 4090195 / FPDS403ORB  
 4090196 / FPDM404BLK  
 4090197 / FPDM405SLV  
 4090198 / FPDM406ORB  
 4090199 / FPDL407BLK  
 4090200 / FPDL408SLV  
 4090201 / FPDL409ORB  
 4090202 / FPDS501BLK  
 4090203 / FPDS502SLV  
 4090204 / FPDS503ORB  
 4090205 / FPDM504BLK  
 4090206 / FPDM505SLV  
 4090207 / FPDM506ORB

**Modelo No.**

4090208 / FPDL507BLK  
 4090209 / FPDL508SLV  
 4090210 / FPDL509ORB  
 4090211 / FPDS601BLK  
 4090212 / FPDS602SLV  
 4090213 / FPDS603ORB  
 4090214 / FPDM604BLK  
 4090215 / FPDM605SLV  
 4090216 / FPDM606ORB  
 4090217 / FPDL607BLK  
 4090218 / FPDL608SLV  
 4090219 / FPDL609ORB

**GUARDE ESTE MANUAL PARA REFERENCIA FUTURA**

**Modelo No.** \_\_\_\_\_ **Tamaño** \_\_\_\_\_

**Acabado** \_\_\_\_\_ **Dimensiones** \_\_\_\_\_

*Esta información se encuentra en la etiqueta de la caja.*



**¿Preguntas, problemas, piezas faltantes?** Antes de volver a la tienda, llame a nuestro Departamento de Servicio al Cliente al 1-866-439-9800, de lunes a domingo de 8 a.m. a 8 p.m., hora estándar del Este. También puede ponerse en contacto con nosotros en [partsplus@lowes.com](mailto:partsplus@lowes.com) o visitar [www.lowespartsplus.com](http://www.lowespartsplus.com).

## ÍNDICE

---

Pautas de instalación .....	14
Contenido del empaque / Aditamentos.....	15
Información de seguridad.....	16
Video con código QR sobre la preparación e instalación.....	16
Instrucciones de instalación .....	17
Cuidado y mantenimiento.....	22
Garantía.....	23

## PAUTAS DE INSTALACIÓN

---

- Este módulo para puerta de vidrio está diseñado para superponerse y cubrir el frente de la abertura de la chimenea, y solo cubre un cierto rango de tamaños de chimenea.

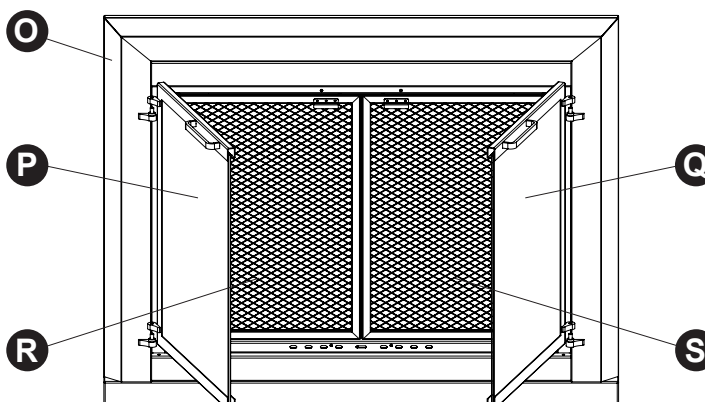
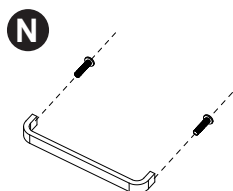
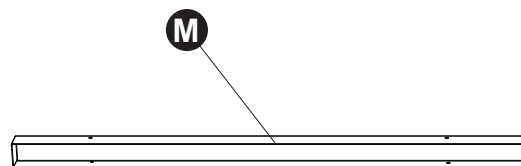
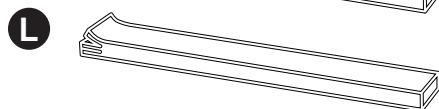
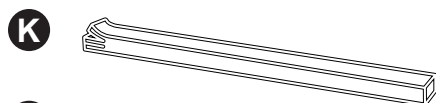
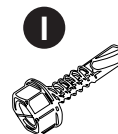
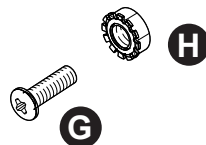
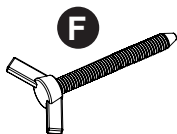
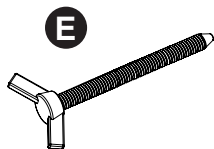
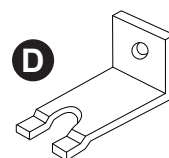
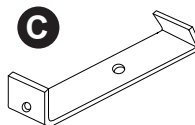
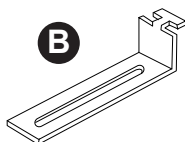
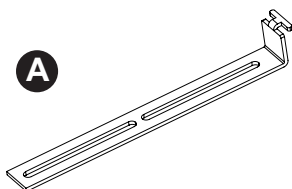
Para asegurarse de haber comprado el módulo para puerta correcto para su chimenea, consulte la tabla a continuación:

TAMAÑO	DIMENSIONES GENERALES DE LA PUERTA	SE ADAPTA A ABERTURAS DE CHIMENEAS	
		Ancho	Altura
	<b>Ancho y Alto</b>		
<b>Pequeña</b>	37.5" x 30"*	30" - 37"	22.5" - 29.5"
<b>Mediano</b>	37.5" x 33"*	30" - 37"	25.5" - 32.5"
<b>Grande</b>	43.5" x 33"*	36" - 43"	25.5" - 32.5"

\* La altura incluye una barra vertical de 5.08 cm (no ensamblada). Consulte las instrucciones de ensamblaje para obtener más detalles.

- Este módulo para puerta de vidrio solo está diseñado para chimeneas de ladrillo y mortero (mampostería). No instale este módulo en una chimenea prefabricada (de metal).
- Asegúrese de consultar con su municipio local si existe alguna ordenanza o código regional antes de instalar este módulo.

## CONTENIDO DEL EMPAQUE/ADITAMENTOS



PIEZA	DESCRIPCIÓN	CANT.
A	Soporte en T largo	2
B	Soporte en T corto	2
C	Abrazadera del dintel	2
D	Soporte de presión	2
E	Tornillo de mariposa largo (51.43 cm × 8.89 cm)	2
F	Tornillo de mariposa corto (51.43 cm × 5.08 cm)	2
G	Tornillo para metal largo (81.91 cm × 1.59 cm)	4
H	Tuerca hexagonal	4
I	Tornillo roscador (n.º 10 × 2.54 cm)	4
J	Tornillo para metal corto (51.43 cm × 0.63 cm)	4

PIEZA	DESCRIPCIÓN	CANT.
K	Fibra de vidrio resistente al calor aislamiento (piezas delgadas: 5.08 cm de ancho)	3
L	Fibra de vidrio resistente al calor aislamiento (piezas anchas: 7.62 cm de ancho)	3
M	Barra de contrahuella	1
N	Manija de puerta*con 2 tornillos (M4 × 20)*	2
O	Marco de la puerta	1
P	Puerta izquierda	1
Q	Puerta derecha	1
R	Malla izquierda	1
S	Malla derecha	1

\*Premontado



## INFORMACIÓN DE SEGURIDAD

---

Antes de instalar sus puertas para chimenea, asegúrese de leer toda la información de seguridad y ensamblaje para garantizar el correcto funcionamiento de la unidad. Si tiene alguna pregunta sobre el uso adecuado de este producto, asegúrese de comunicarse con nuestro departamento de Servicio al Cliente, cuya información de contacto se encuentra en nuestra garantía.



### ADVERTENCIAS

- **NO** cierre las puertas de vidrio mientras haya fuego en la chimenea. Aunque las puertas estén hechas de vidrio templado, el vidrio aún puede romperse si se expone a un calor excesivo.
- **NO** deje las puertas con malla abiertas mientras el fuego está encendido. Asegúrese de dejar las puertas con malla cerradas mientras hay fuego en la chimenea. Esto evitará que escapen chispas de la chimenea.
- **NO** permita que ningún líquido o sustancia fría entre en contacto con las puertas de vidrio mientras estén calientes. Esto podría hacer que el vidrio se rompa.
- **NO** encienda un fuego muy grande ni coloque la rejilla de leña demasiado cerca de las puertas con malla para evitar la decoloración del marco.
- **DEBE** ajustar la compuerta que se encuentra en la parte delantera inferior de las puertas con malla para permitir un flujo de aire adecuado hacia el fuego.

**⚠ ADVERTENCIA:** Este producto puede exponerlo a sustancias químicas, incluido plomo y componentes de plomo, reconocidas por el estado de California como causantes de cáncer, defectos congénitos y otros daños en el aparato reproductivo. Lávese las manos después de manipular el producto. Para obtener más información, visite [www.P65Warnings.ca.gov](http://www.P65Warnings.ca.gov).



### PRECAUCIONES CON LA CHIMENEA

- Antes de operar una chimenea nueva, asegúrese de neutralizarla aplicando una solución diluida de amoníaco, seguida de un enjuague tibio y luego frío.
- Nunca almacene sustancias combustibles o volátiles dentro de la chimenea.
- Mantenga todas las sustancias combustibles y volátiles alejadas del frente de la chimenea.
- No utilice sustancias combustibles o volátiles para avivar un incendio.
- Abra el regulador de tiro de la chimenea antes de encender fuego.
- Mantenga a los niños y las mascotas alejados de la chimenea mientras la utiliza.
- No toque ninguna parte del módulo para puerta de vidrio con las manos descubiertas mientras esté encendido el fuego. Utilice siempre un guante aislante para abrir y cerrar las puertas y el regulador de tiro.
- Nunca use su chimenea como un incinerador.
- Siempre deje que las cenizas se quemen y se enfríen por completo antes de desecharlas.

## PREPARACIÓN

---

Antes de comenzar a ensamblar el producto, asegúrese de tener todas las piezas. Compare las piezas con la lista del contenido del paquete. No intente ensamblar el producto si falta alguna pieza o si estas están dañadas.

**Retiro del paquete:** Retire con cuidado el módulo para puerta de vidrio y todas las demás piezas de la caja, colocando el módulo para puerta de vidrio boca abajo sobre una superficie plana.

### Herramientas necesarias para el ensamblaje (no incluidas):

Destornillador de cabeza plana, destornillador Phillips, guantes de trabajo, cinta métrica, tijeras

## VIDEO DE INSTALACIÓN

---

Escanee el siguiente código QR para ver un video de ensamblaje.





## INSTRUCCIONES DE INSTALACIÓN

### DETERMINAR SI SE NECESITA LA BARRA DE CONTRAHUELLA

- Puede que necesite instalar la barra de contrahuella o no, según la altura de su chimenea.
- Para determinar si necesita la barra de contrahuella, coloque el módulo para puerta de vidrio frente a su chimenea para ver si se ajusta a la abertura de su chimenea.
- Si la parte superior del módulo para puerta de vidrio no llega a la parte superior de la abertura de la chimenea, puede instalar la barra de contrahuella en la parte inferior de la unidad para agregarle altura al módulo.

### 1. INSTALACIÓN DE LA BARRA DE CONTRAHUELLA

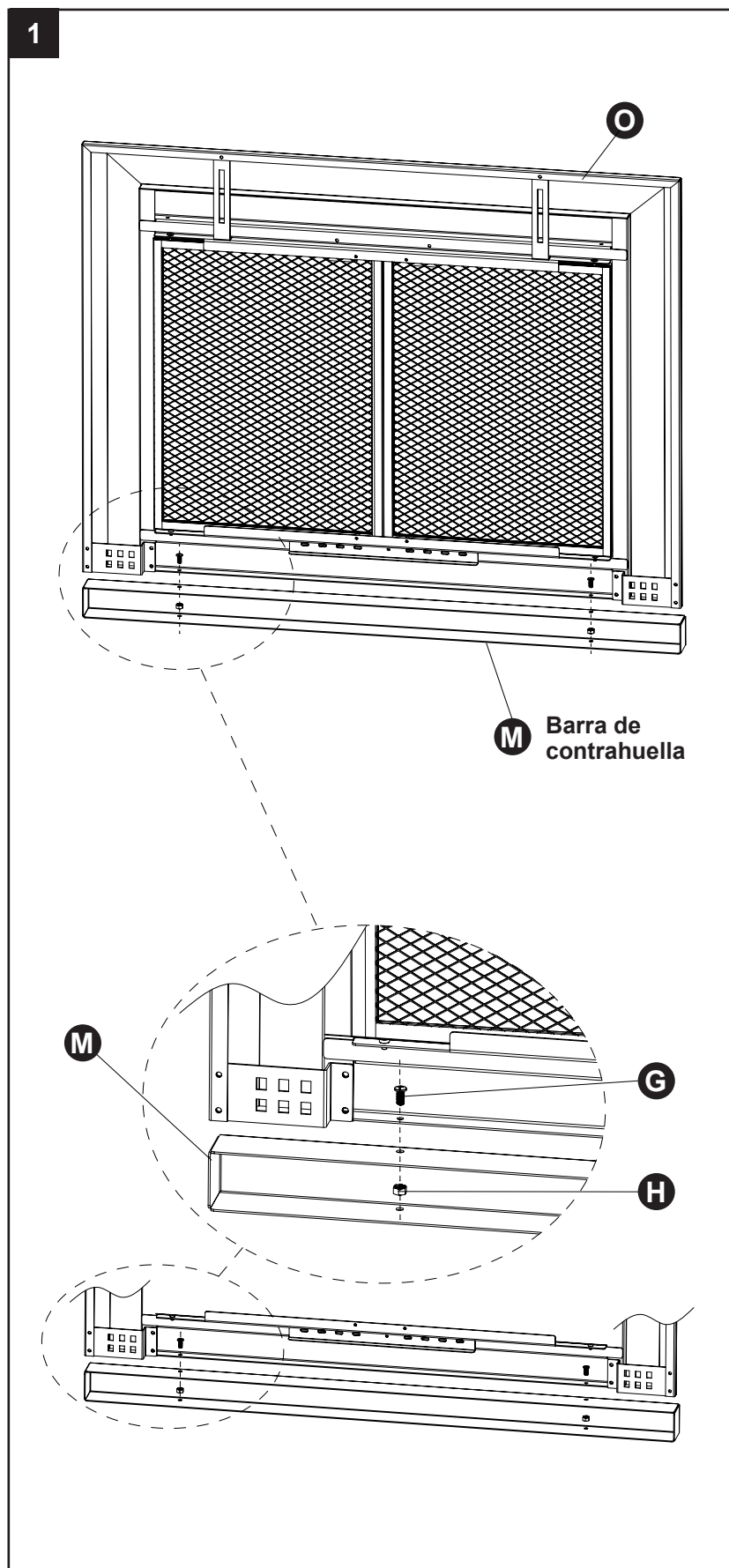
Para colocar la barra de contrahuella:

- Coloque la unidad boca abajo sobre una superficie suave y plana.
- Coloque la barra de contrahuella (M) en la parte inferior de la unidad insertando los tornillos largos para metal (G) a través de los orificios en la barra de contrahuella y los orificios en la parte inferior de la unidad, como se muestra.
- Asegure los tornillos para metal largos con las tuercas hexagonales (H), como se muestra.

#### Aditamentos Utilizados

**G** Tornillos para metal largos (x2) 

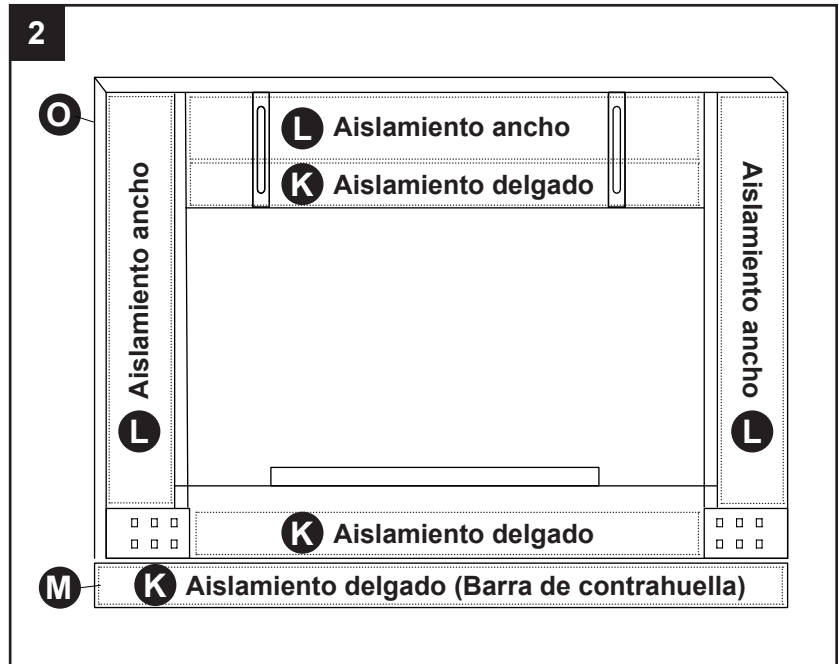
**H** HTuercas hexagonales (x2) 



## INSTRUCCIONES DE INSTALACIÓN

### 2. INSERCIÓN DEL AISLAMIENTO

- Asegúrese de usar guantes de trabajo mientras manipula las tiras de aislamiento.
- Corte con tijeras las tiras de aislamiento para obtener el ajuste deseado.
- Coloque la unidad boca abajo sobre una superficie suave y plana.
- Inserte las tiras anchas (L) y delgadas (K) de aislamiento de fibra de vidrio en los espacios anchos y estrechos en la parte posterior de la unidad, incluida la barra de contrahuella.



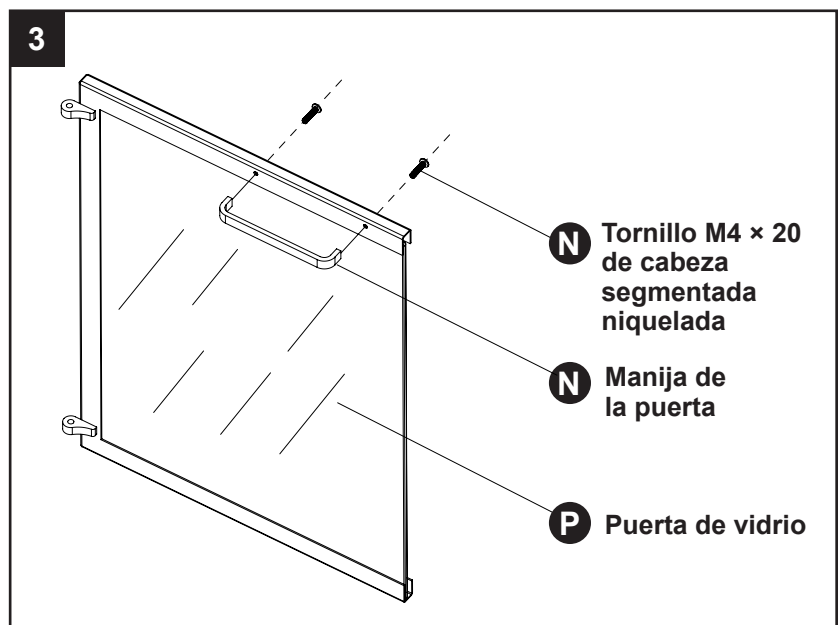
### 3. ENSAMBLAJE DE LA MANIJA POSTERIOR\*

- Monte las manijas de las puertas en las puertas de vidrio, como se muestra, utilizando los tornillos incluidos.

#### Aditamentos utilizados

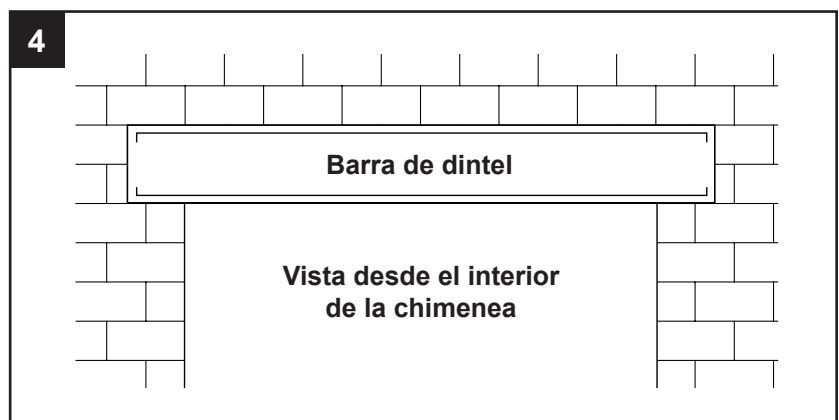
- N** Manijas para puerta (×2) y tornillos M4 × 20 (×4)

\*Premontado



### 4. UBICACIÓN DE LA BARRA DE DINTEL

- La barra de dintel es la barra de metal en forma de L que se extiende a lo largo de la parte superior de la abertura interior de su chimenea y sostiene los ladrillos en su lugar.



## INSTRUCCIONES DE INSTALACIÓN

### 5. ENSAMBLAJE DE LOS SOPORTES

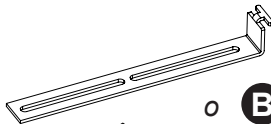
Antes de colocar la unidad en su barra de dintel, debe ensamblar los soportes.

- Deberá utilizar los soportes en T largos (A) o los soportes en T cortos (B) para sujetar la unidad a su chimenea, según el ancho de la barra de dintel.
- Use una cinta métrica para medir el ancho de su barra de dintel, midiendo desde la parte posterior de la barra de dintel hasta la parte frontal de su chimenea.
- Utilice la medida del ancho de su barra de dintel para determinar si necesitará los soportes en T largos o los soportes en T cortos.
- Ensamble los 2 soportes en T (largos o cortos) a las 2 abrazaderas de dintel (C), usando los tornillos para metal cortos (J).
- No apriete demasiado los tornillos para metal todavía. Déjelos sueltos. Los ajustará más tarde cuando ajuste el ancho de la abrazadera.
- Inserte los tornillos de mariposa cortos (F) en la parte posterior de las abrazaderas del dintel, como se muestra.

NOTA: Puede ensamblar los soportes en T a las abrazaderas para dintel, ya sea boca arriba o boca abajo (como se muestra), según la altura de su chimenea. Pruebe colocándolos boca arriba primero. Si las abrazaderas no se ajustan correctamente a su chimenea, siempre puede volver a empezar y montarlos boca abajo.

#### Aditamentos utilizados

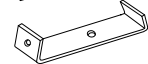
**A** Soportes en T largos (x2)



o **B** Soportes en T cortos (x2)



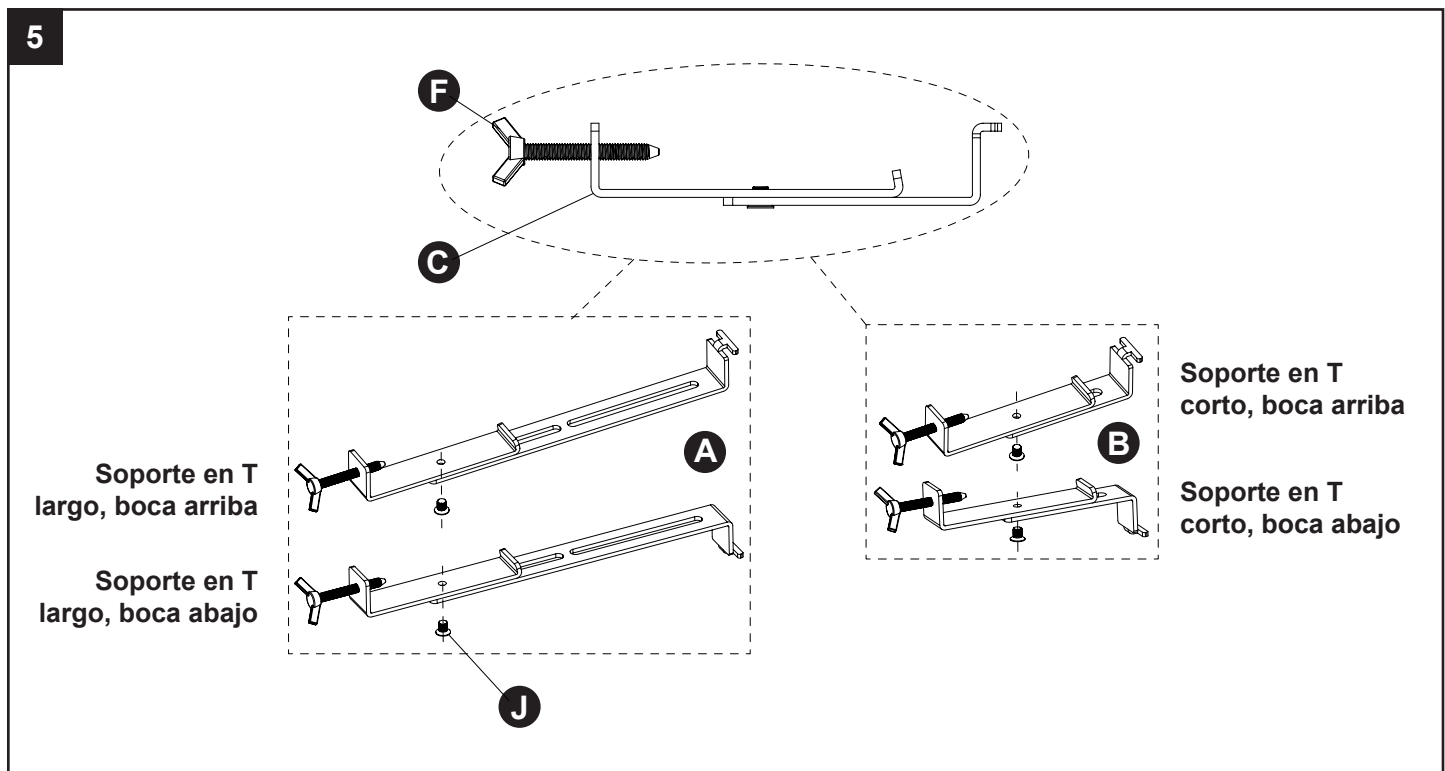
**C** Abrazaderas de dintel (x2)



**J** Tornillos para metal cortos (x2)



**F** Tornillos de mariposa cortos (x2)

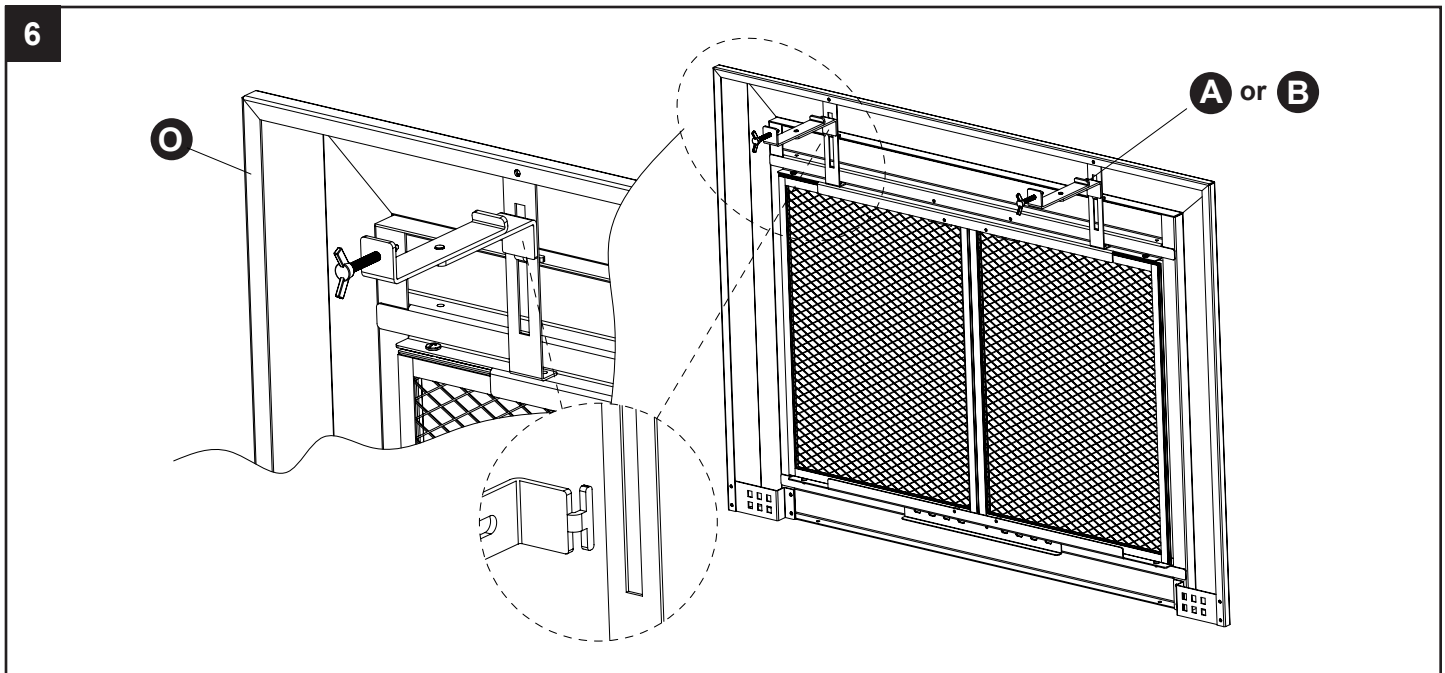


## INSTRUCCIONES DE INSTALACIÓN

### 6. INSERCIÓN DE LOS SOPORTES ENSAMBLADOS EN SU MÓDULO PARA PUERTA

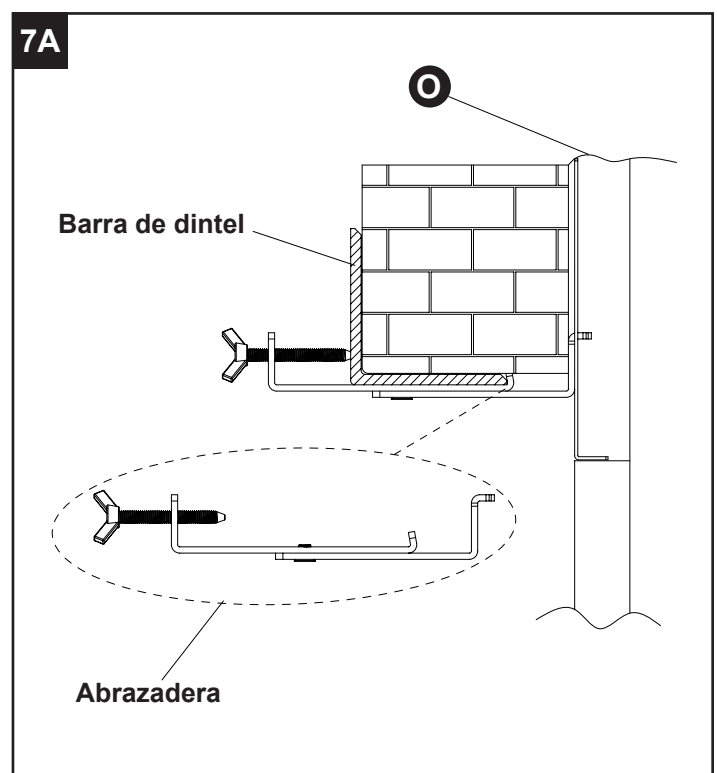
Ahora que los soportes están ensamblados, está listo para colocar el módulo para puerta en su barra de dintel.  
(Recomendación: Esta parte de la instalación puede requerir 2 personas: una persona para mantener el módulo en su lugar, y otra persona para atornillarlo a la chimenea).

- Inserte la "T" de cada soporte en T en las ranuras que se encuentran en la parte posterior del módulo para puerta. Inserte cada "T" verticalmente en la ranura y, luego, gírelas hasta que estén horizontales. Los soportes en T/las abrazaderas de dintel ensamblados ahora deben colgar flojos en las ranuras.



### 7A. AJUSTE DE LA UNIDAD A SU BARRA DE DINTEL

- Abra las puertas de vidrio y las puertas con malla en el módulo.
- Con las puertas abiertas, coloque el módulo contra el frente de la abertura de la chimenea. (Aquí es donde puede necesitar ayuda para mantener el módulo en su lugar mientras la ajusta a la barra de dintel).
- Con la unidad en su lugar, busque el interior de la chimenea y coloque el soporte en T/la abrazadera para dintel sobre la barra de dintel.
- Ajuste el ancho del soporte en T/de la abrazadera para dintel hasta que esté bien sujetado a la barra de dintel y apriete el tornillo para metal corto.
- Con el soporte en T/la abrazadera para dintel bien sujetado sobre la barra del dintel, apriete el tornillo de mariposa hasta que el módulo se mantenga firmemente en su lugar.
- Con ambos tornillos de mariposa ajustados firmemente, la unidad ahora está bien sujeta a la parte superior de su chimenea.



## INSTRUCCIONES DE INSTALACIÓN

### 7B. MÉTODO DE FIJACIÓN ALTERNATIVO SOLO PARA LA PARTE SUPERIOR DE LAS PUERTAS

Si los soportes de fijación y las abrazaderas para dintel no se acoplan a su chimenea, utilice este método de fijación alternativo. **Herramientas adicionales necesarias:** Taladro eléctrico, broca de acero de alta velocidad de 0.22 cm, lápiz y gafas de seguridad

(**RECOMENDACIÓN:** Esta parte de la instalación puede requerir 2 personas: una persona para mantener el módulo en su lugar, y otra persona para medirlo y fijarlo a la chimenea).

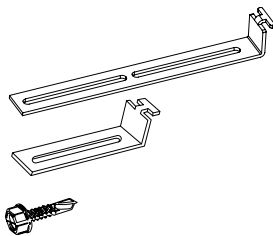
- Seleccione un soporte en T que quede al ras de la barra del dintel: soportes en T largos (A) o soportes en T cortos (B).
- Fije el soporte en T seleccionado a la puerta. Coloque las puertas de vidrio contra la abertura y el centro de la chimenea.
- Utilice su lápiz y marque el soporte en T, en el dintel. Marque ambos lados.
- Retire las puertas de vidrio y perforo un orificio de 0.22 cm en la barra de dintel en cada ubicación marcada.
- Coloque las puertas de vidrio contra la abertura de la chimenea y alinee los soportes con los orificios de la barra de dintel.
- Utilice el tornillo roscador (I) para sujetar ambos soportes en T a la barra de dintel.

#### Aditamentos utilizados

**A** Soportes en T largos (×2)

**B** Soportes en T cortos (×2)

**I** Tornillos roscadores (×2)



### 8. FIJACIÓN DE LA PARTE INFERIOR DEL MÓDULO A LA PARED

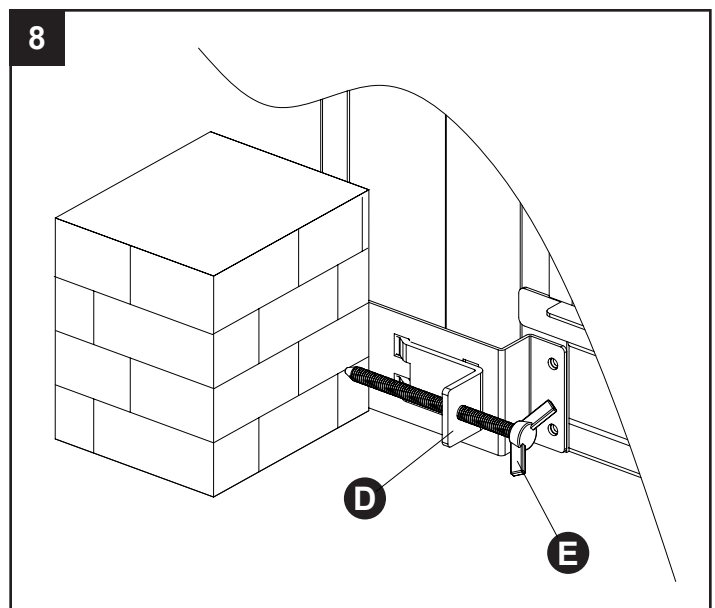
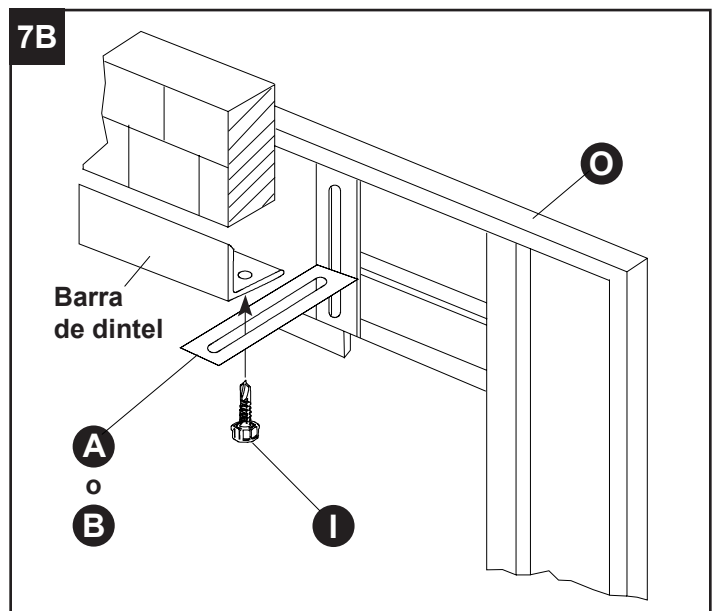
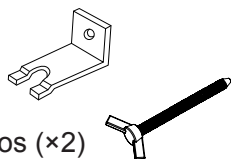
- Inserte los 2 tornillos de mariposa largos (E) en los 2 soportes de presión (D), como se muestra.
- Inserte los soportes de presión en los orificios que se encuentran abajo de la parte posterior del módulo para puerta. Elija los agujeros que mejor se adapten al tamaño de su chimenea.
- Apriete los tornillos de mariposa largos hasta que la punta de cada uno se clave en el ladrillo a un lado de la chimenea.
- Si los tornillos de mariposa no llegan al ladrillo o son demasiado largos, puede volver a colocar los soportes de presión insertándolos en un conjunto diferente de orificios en el módulo.

¡Su módulo para puerta de vidrio ya está firmemente adherido a su chimenea!

#### Aditamentos utilizados

**D** Soportes de presión (×2)

**E** Tornillos de mariposa largos (×2)



## INSTRUCCIONES DE INSTALACIÓN

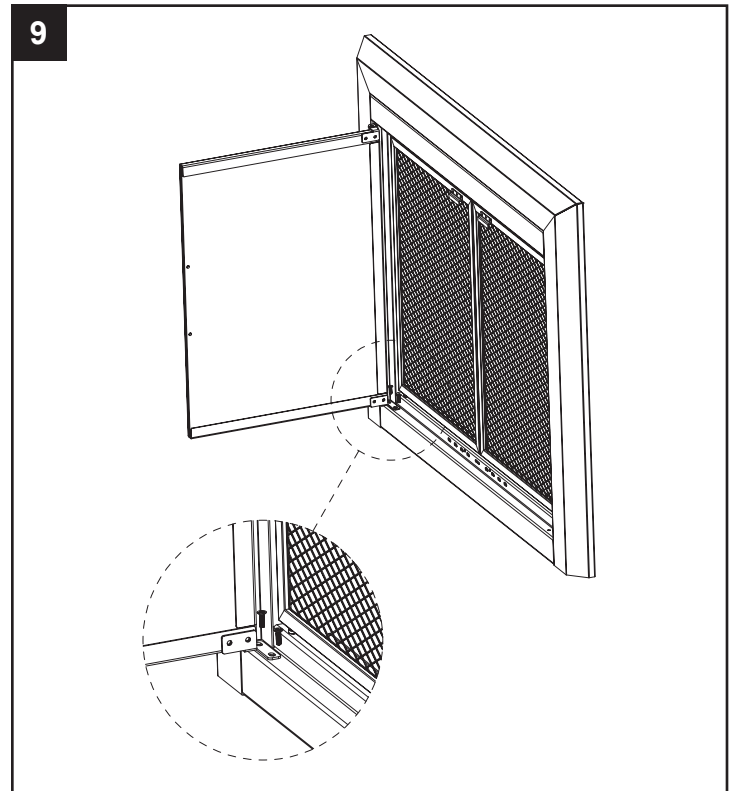
### 9. AJUSTE DE LA PUERTA DE VIDRIO

**Nota:** Algunos modelos no tienen estos estilos de bisagra, en cuyo caso se puede omitir este paso.

Las puertas de vidrio están adheridas a su unidad con 4 bisagras (2 bisagras en cada puerta). Cada bisagra está adherida al marco del módulo con 2 tornillos ajustables.

Si las puertas de vidrio no están alineadas correctamente, se pueden ajustar de manera fácil:

- Afloje los 2 tornillos de una de las bisagras.  
**NO** saque los tornillos, solo aflójelos.
- Ajuste la posición de la puerta.
- Una vez que la puerta esté colocada correctamente, vuelva a apretar los tornillos.
- Si es necesario, afloje la otra bisagra, ajuste la puerta y vuelva a atornillarla.



## CUIDADO Y MANTENIMIENTO

**ADVERTENCIA:** NO permita que ningún líquido o sustancia fría entre en contacto con las puertas de vidrio mientras estén calientes. Esto podría hacer que el vidrio se rompa.

### VIDRIO:

- Deje que el vidrio se enfríe por completo antes de limpiarlo.
- Limpie el vidrio con una solución diluida de amoníaco y un paño limpio.
- **NO** utilice almohadillas abrasivas ni productos químicos agresivos, ya que pueden dañar el vidrio templado.

### MARCO:

- Limpie la superficie exterior del módulo con un paño húmedo limpio.
- Si es necesario, use una solución diluida de alcohol para quitar las huellas dactilares u otras marcas.
- **NO** limpie con almohadillas abrasivas, productos químicos agresivos, limpiadores o solventes.



## GARANTÍA

---

Le garantizamos al comprador minorista original de este producto, y a ninguna otra persona, que si este producto se ensambla, se mantiene y se usa de acuerdo con las instrucciones impresas incluidas, ninguna de las piezas del producto presentará defectos de fabricación en el material ni en la mano de obra durante un (1) año desde la fecha de compra. Podríamos exigir un comprobante razonable de la fecha de su compra. Por ello, usted deberá conservar su recibo o factura de la venta. Esta garantía limitada se limitará a piezas de repuesto que presenten fallas bajo un uso y servicio normales y que determinemos en nuestra propia opinión que presentan fallas después de examinarlas. Antes de devolver cualquier pieza, debe ponerse en contacto nuestro departamento de Servicio al Cliente, mediante la información de contacto que figura en la portada de este manual. Si después de examinar la pieza devuelta confirmamos que existe una falla que está cubierta por esta Garantía limitada, y si aprobamos el reclamo, esa pieza se reemplazará sin ningún costo para el cliente. Al devolver piezas defectuosas, usted deberá prepagar los cargos de transporte. Devolveremos las piezas de repuesto al comprador minorista original con flete o franqueo prepago.

Esta garantía limitada no cubre fallas o dificultades en la operación debido a accidentes, mal uso, abuso, alteraciones, aplicación inadecuada o instalación o mantenimiento inadecuados o reparados por usted o por un tercero, o por no efectuar mantenimiento normal o rutinario del producto como se señala en este manual del propietario. Además, la Garantía limitada no cubre daños al acabado, tales como rayones, hendiduras, oxidación, decoloración u otros daños producidos por el clima después de la compra.

Esta Garantía limitada reemplaza a todas las demás garantías expresas. Rechazamos todas las

demás garantías por productos que se adquieran de vendedores distintos a las tiendas minoristas o distribuidores autorizados, incluida la garantía de comerciabilidad o la garantía de idoneidad para un fin en particular. TAMBIÉN RECHAZAMOS TODAS LAS DEMÁS GARANTÍAS IMPLÍCITAS, LO QUE INCLUYE SIN LIMITACIÓN A TODAS LAS GARANTÍAS IMPLÍCITAS DE COMERCIABILIDAD E IDONEIDAD PARA UN FIN EN PARTICULAR. NO SEREMOS RESPONSABLES LEGALES ANTE EL COMPRADOR NI ANTE NINGÚN TERCERO POR NINGÚN DAÑO ESPECIAL, PUNITIVO, INDIRECTO, INCIDENTAL O RESULTANTE. También rechazamos cualquier garantía explícita o implícita por las fallas en la fabricación causada por terceros y tampoco asumimos responsabilidad alguna por ellas.

Esta Garantía limitada le otorga derechos legales específicos al comprador, el que podría tener también otros derechos dependiendo de dónde viva. Algunas jurisdicciones no permiten la exclusión o limitación de daños especiales, incidentales o resultantes, ni permiten limitaciones en cuanto a la duración de una garantía, de modo que es posible que las limitaciones y exclusiones anteriores no se apliquen a todas las personas.

No autorizamos a ninguna persona o empresa a asumir en su nombre ninguna otra obligación o responsabilidad en relación con la venta, instalación, uso, retiro, devolución o reemplazo de sus equipos y ninguna de esas representaciones se considera obligatoria para nosotros. Esta garantía le otorga derechos legales específicos pero podría tener también otros derechos que varían según el estado. Debido a que algunos estados no permiten exclusiones o limitaciones en una garantía implícita, las exclusiones y limitaciones anteriores pueden no aplicarse.

