



Alternate language poster available at:
Idioma alternativo póster disponibles en:
www.GenieCompany.com

Assembly & Installation
Video Available at:
www.GenieCompany.com
or scan this code



CHAIN/BELT DRIVE OPENER ASSEMBLY & INSTALLATION INSTRUCTIONS

HOW TO USE THIS ASSEMBLY POSTER

This assembly poster provides all the necessary steps to complete the installation of the opener ONLY. The owners manual must be used to complete the installation and setup of this garage door opener.

- Always wear safety glasses while performing this installation.
- Follow each step in sequence, DO NOT skip steps. Do not move on to the next sequence until all steps in that sequence are complete.
- Certain steps will require hardware. Look for the bag symbol to help identify the parts bag required for this step.
- Sometimes an additional person can be helpful for certain steps. Look for the buddy symbol for steps where this may be applicable.
- Certain steps will require tools to assemble the opener. Note the recommended tool symbol to help with that step.

IMPORTANT INSTALLATION INSTRUCTIONS

POTENTIAL HAZARDS
Overhead doors are large, heavy objects that move with the help of springs under high tension and electric motors. Since moving objects, springs under tension, and electric motors can cause injuries, your safety and the safety of others depends on you reading the information in this installation poster. If you have questions or do not understand the information presented, call The Genie Company (1-800-35-GENIE). In this section, and those that follow, the words Danger, Warning and Caution are used to emphasize important safety information.
! DANGER indicates an imminently hazardous situation which, if not avoided, will result in death or serious injury.
! WARNING indicates a potentially hazardous situation which, if not avoided, could result in death or serious injury.
! CAUTION indicates a potentially hazardous situation which, if not avoided, may result in injury or property damage.
NOTE is used to indicate important steps to be followed or important considerations.

WARNING TO REDUCE THE RISK OF SEVERE INJURY OR DEATH

READ AND FOLLOW ALL SAFETY, INSTALLATION AND OPERATION INSTRUCTIONS. If you have any questions or do not understand an instruction, call The Genie Company or your local Genie Factory Authorized Dealer.
• **DO NOT** install opener on an improperly balanced door. An improperly balanced door could cause severe injury. Repairs and adjustments to cables, spring assembly, and other hardware must be made by a trained service person using proper tools and instructions.
• Remove all ropes and remove or disable all locks connected to the garage door before installing opener.
• Where possible, install door opener 7 feet or more above the floor. For products having an emergency release, mount the emergency release within reach, but at least 6 feet above the floor and avoiding contact with vehicles to avoid accidental release.
• **DO NOT** connect the opener to the source of power until instructed to do so.
• Locate the wall console button: A) Within sight of door. B) At a minimum height of 5 feet so small children cannot reach it. C) Away from all moving parts of the door.
• Install the entrapment WARNING label next to the wall button or console. Install red emergency release handle on the emergency release cord.
• The opener must reverse when the door contacts a 1-1/2 inch high object on the floor at the center of the doorway. This is about the size of a 2" x 4" board laid flat.

WARNING A moving door could result in serious injury or death.

• Keep people clear of opening while door is moving.
• **DO NOT** allow children to play with the door opener.
• **DO NOT** operate a door that jams or one that has a broken spring.

WARNING An Electrical Shock could result in serious injury or death.

• Turn off power before removing opener cover.
• When replacing cover, make sure electrical wires are not pinched or near moving parts.
• Opener must be properly grounded.

WARNING-HIGH SPRING TENSION

• Repairs and adjustments must be made by a trained door system technician using proper tools and instructions.

AVERTISSEMENT POUR RÉDUIRE LES RISQUES DE BLESSURES GRAVES VOIRE MORTELLES

LIRE ET SUIVRE ATTENTIVEMENT TOUTES LES INSTRUCTIONS D'INSTALLATION ET DE FONCTIONNEMENT AINSI QUE TOUTES LES CONSIGNES DE SÉCURITÉ. Si vous avez des questions ou si vous ne comprenez pas une instruction, veuillez contacter directement The Genie Company.
• **NE PAS** installer l'opérateur sur une porte mal équilibrée. Celle-ci pourrait entraîner de graves blessures. Les réparations et les réglages des câbles, ensembles de ressort ou tout autre article de quincaillerie doivent être effectués par un professionnel qui se sert d'outils appropriés et qui respecte les instructions.
• Enlever toutes les cordes et désactiver toutes les verrous de la porte avant d'installer l'opérateur.
• Dans la mesure du possible, installer l'ouvre-porte à 2,1 m ou plus au-dessus du sol.
• Pour les produits dotés d'un cordon de déclenchement d'urgence, installer le déclenchement d'urgence mais au moins à 1,8 m au-dessus du sol en évitant tout contact avec les véhicules pour éviter qu'ils ne soient déclenchés accidentellement. **NE PAS** utiliser d'urgence cordon de libération pour ouvrir ou fermer la porte.
• **NE PAS** connecter l'opérateur à la source d'alimentation tant que l'instruction n'est pas donnée.
• Réparer la console murale: A) En vue de la porte. B) À une hauteur minimale de 1,5 m afin que les jeunes enfants ne puissent pas l'atteindre. C) Loin de toutes pièces mobiles de la porte du garage.
• Placer l'étiquette d'AVERTISSEMENT en cas de coinceage à proximité du bouton mural ou de la console de manière à ce qu'elle soit bien en évidence. Installer la poignée du cordon de déclenchement d'urgence.
• L'opérateur doit s'inverser lorsque la porte entre en contact avec un objet d'une hauteur de 3,8 cm placé sur le sol, au centre de l'ouverture de la porte. Ceci équivaut environ à une planche de 5 x 10 cm posée à plat sur le sol.

AVERTISSEMENT PORTE EN MOUVEMENT POURRAIT ENTRAÎNER DES BLESSURES GRAVES VOIRE LA MORT

• Garder les personnes éloignées de la porte et de son mécanisme. Ne laisser personne se tenir dans l'ouverture de la porte pendant qu'elle est en mouvement.
• Ne pas permettre aux enfants de jouer avec l'opérateur de la porte.
• Ne pas modifier la commande de l'opérateur à contact momentané à moins qu'un moyen d'inversion externe soit installé.
• Ne pas faire fonctionner une porte qui bloque ou dont le ressort est cassé.

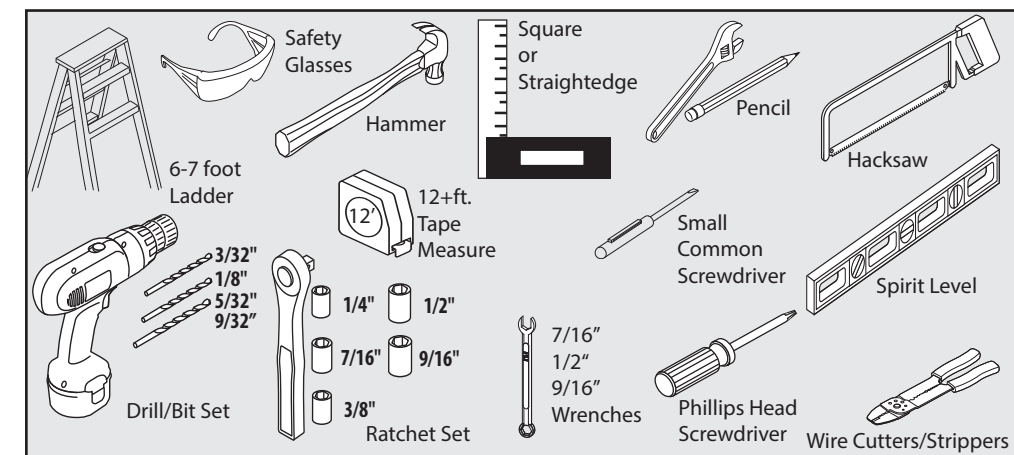
AVERTISSEMENT CHOC ÉLECTRIQUE POURRAIT ENTRAÎNER DES BLESSURES GRAVES VOIRE LA MORT

• Couper le courant avant d'enlever le couvercle de l'opérateur.
• Lorsque le couvercle est à nouveau remplacé, s'assurer que les fils ne sont ni coincés ni près des pièces mobiles.
• L'opérateur doit être correctement mis à la terre.

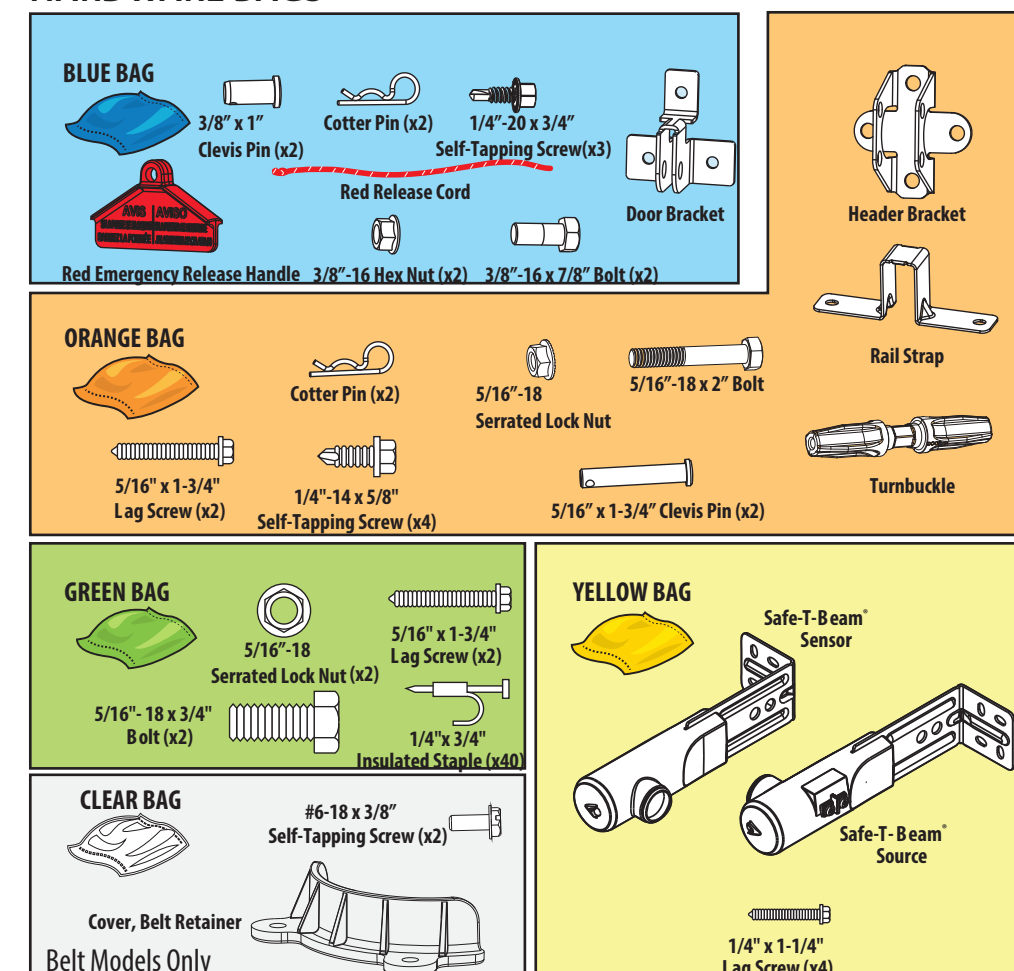
AVERTISSEMENT TENSION ÉLEVÉE RESSORT POURRAIT ENTRAÎNER DES BLESSURES GRAVES VOIRE LA MORT

• Ne pas essayer d'installer, réparer ou ajuster les ressorts ou toute autre pièce à laquelle le ressort de la porte est attaché, y compris les blocs de bois, supports à acier, câbles ou autres articles sensibles.
• Les réparations et les réglages doivent être effectués par un technicien qualifié qui se sert d'outils appropriés et qui respecte les instructions.

RECOMMENDED TOOLS



HARDWARE BAGS



PRE-INSTALLATION CONSIDERATIONS

This opener includes parts and supplies needed for installation in most garages and on most garage doors. There are many variations of garages and garage doors. A few additional parts and supplies may be needed for installation in your garage and to your garage door. While going over these instructions, please note the additional items you may need. For help finding a local Genie Professional Dealer, refer to the dealer locator at www.GenieCompany.com or call Customer Service at 1-800-35-GENIE.

There are a few specific areas which might require extra materials:

- Measure the height of the garage door. For doors taller than 7" and up to 8" in height, you will need a Rail Extension Kit for the door to fully open.
- See section 2 - The header above the garage door where torsion springs are used—does it extend far enough above the spring(s) to allow mounting of the header bracket? If not, or if you can't tell—you will probably need a piece of 2" x 6" lumber to span across wall studs.
- See section 3 - The area overhead where the powerhead will be mounted—if you have a finished ceiling, you will need a piece of perforated angle which can span across beams of trusses.

See section 5 - Is there wood along the door tracks near the floor where the Safe-T-Beam can be most easily mounted, or will you need fasteners or some other material for mounting to the track itself? Will you need extension brackets or wooden blocks to extend the Safe-T-Beam far enough off the wall to see past any door hardware?

- Is there an electrical outlet within approximately 3' of the point where the opener will be? If not, you need to contact a licensed electrician.

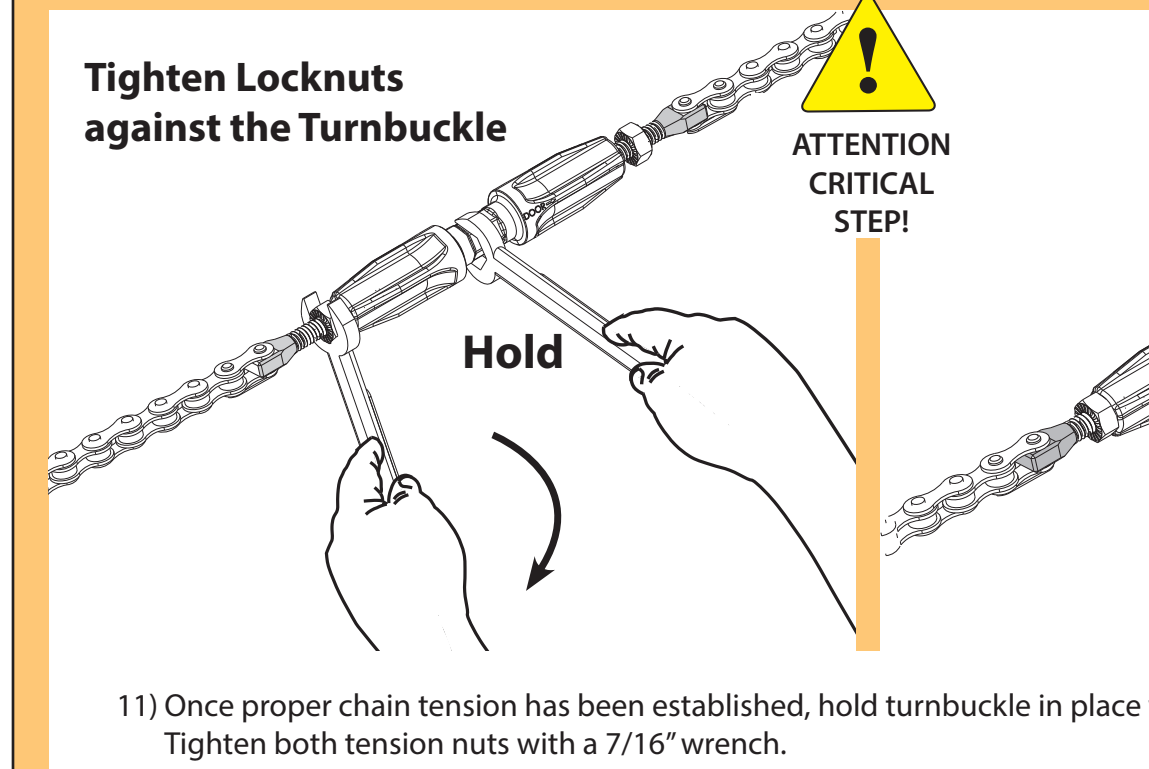
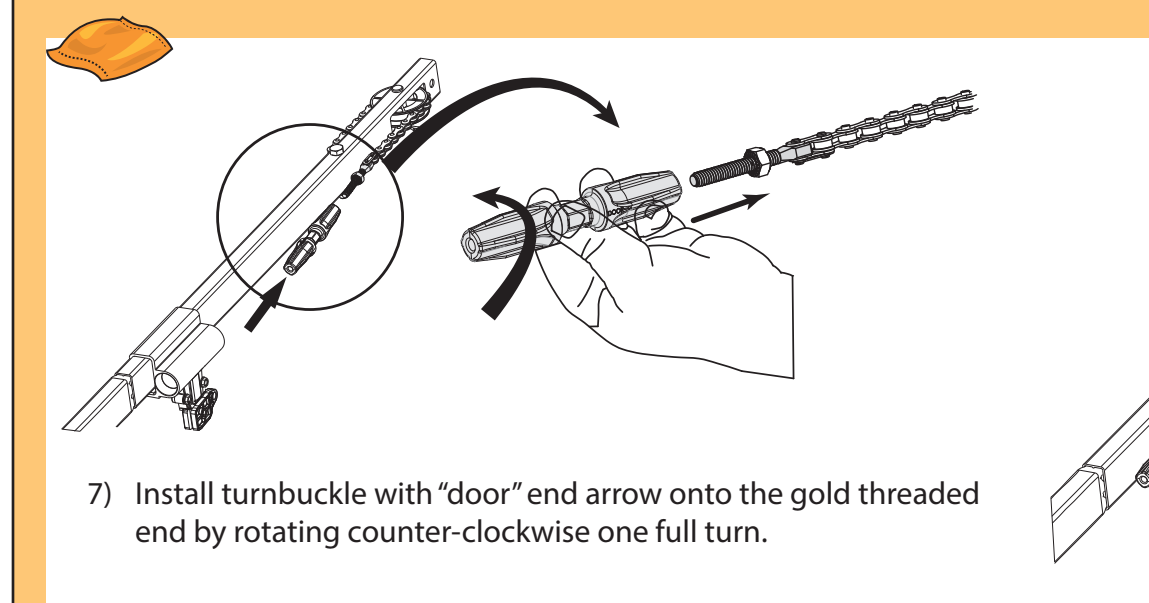
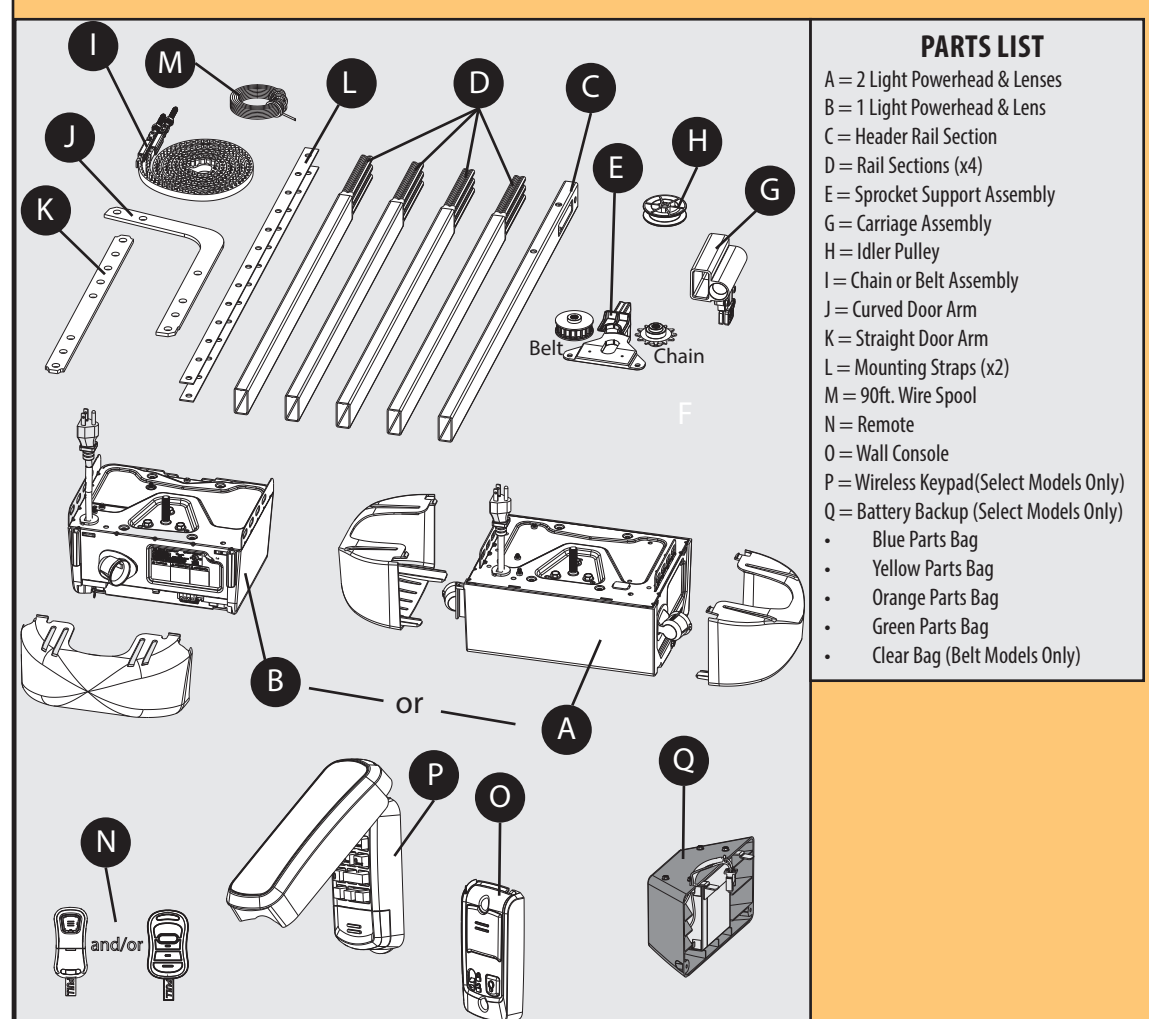
Check condition of the door and all its associated hardware: Tracks, springs, hinges, rollers. Is anything loose or appear to be worn? If so, call a trained professional for an evaluation and repairs. DO NOT ATTEMPT TO ADJUST SPRINGS OR THEIR ATTACHED PARTS!

- Operate the door manually. Does it move freely and smoothly? Check the balance of the door by manually lifting it halfway open and release. It should stay put or move very slowly. If not, call a service person for repairs.
- Remove all ropes and remove or disable all locks connected to the garage door before installing opener. It is also recommended that T-handles be removed. It is recommended that closed loop lifting handles with no protruding parts remain.

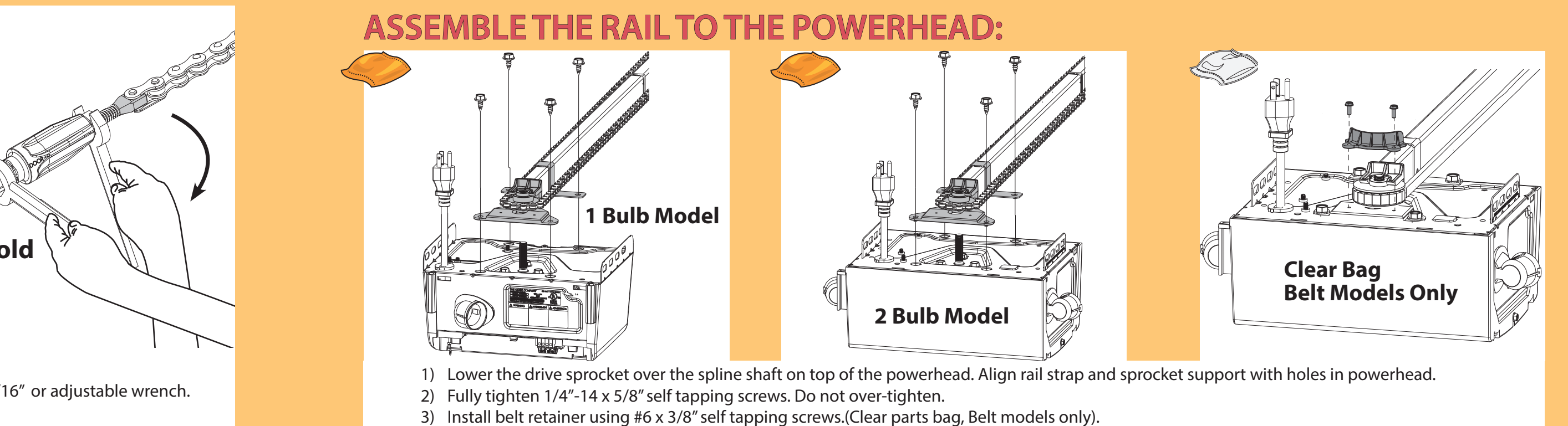
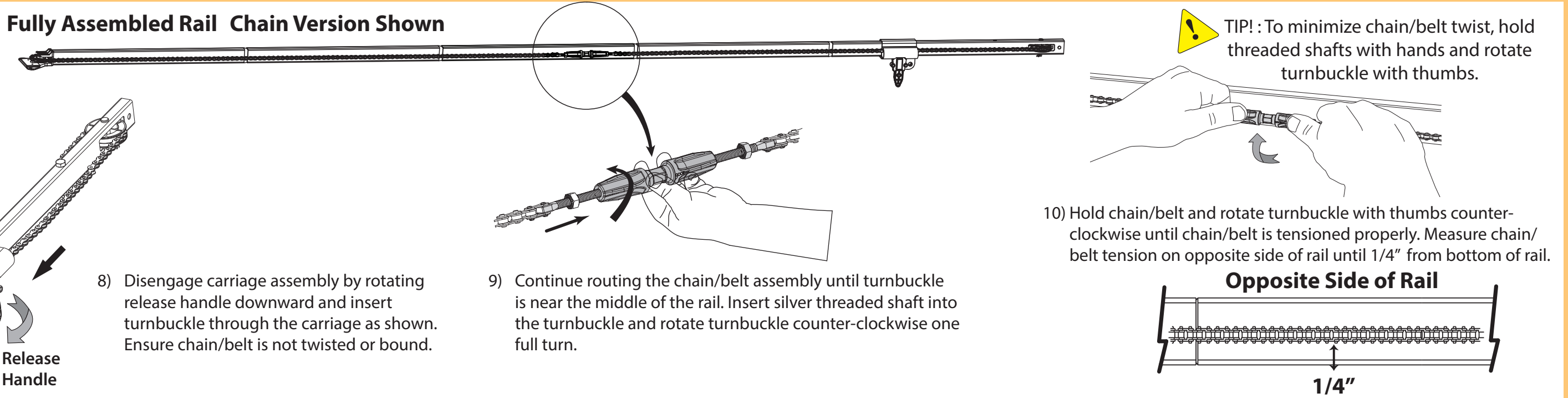
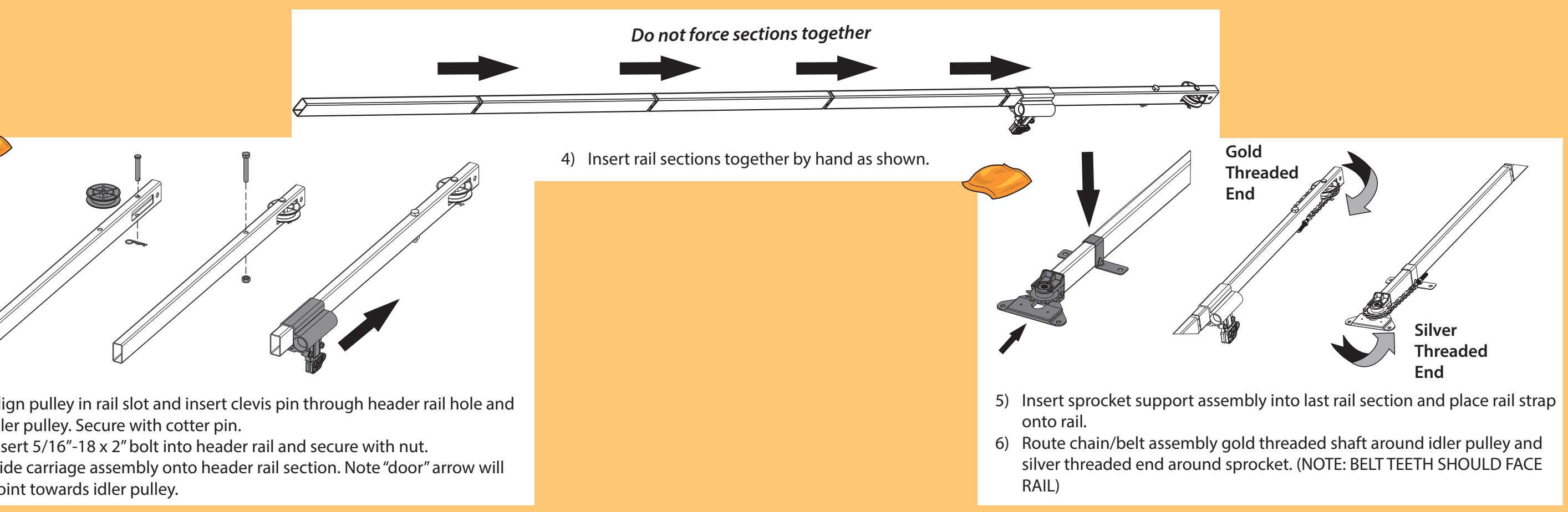
1 ASSEMBLE THE OPENER

Orange Parts Bag

TOOLS: (2) - 7/16" or Adjustable Wrenches, 3/8" wrench or ratchet & socket.



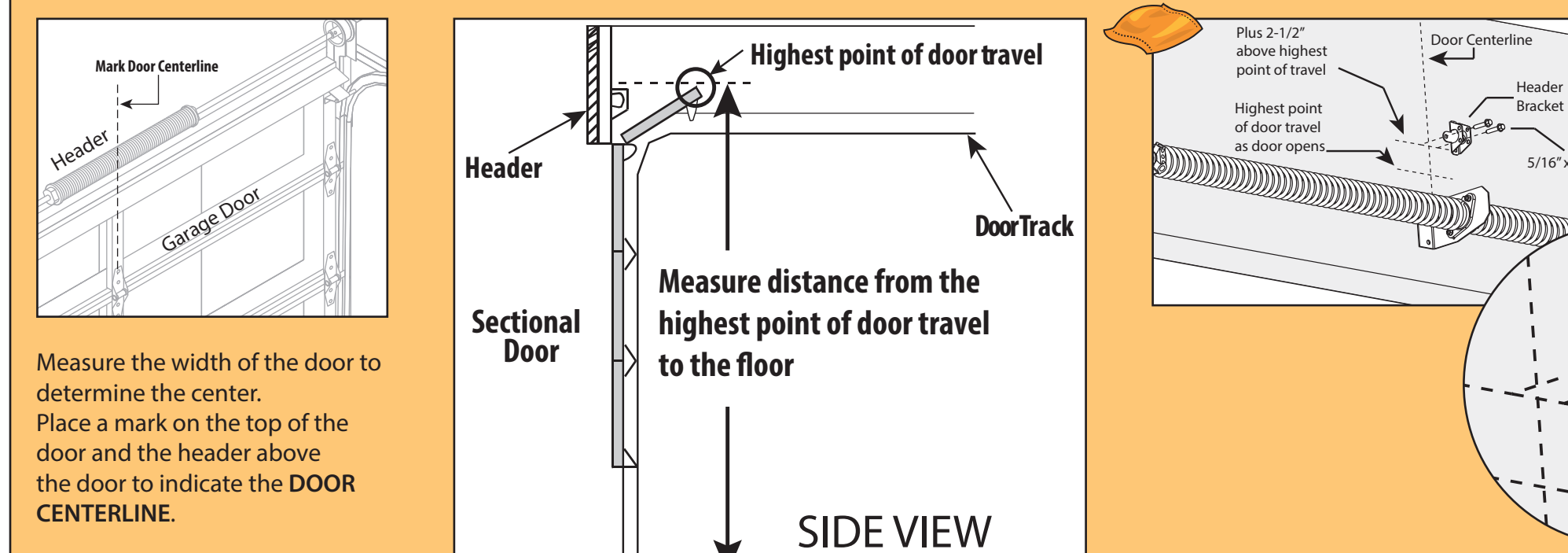
FOR USE ON SECTIONAL DOORS ONLY



2 INSTALL HEADER BRACKET AND OPENER TO WALL

Orange Parts Bag

TOOLS: Tape Measure, Ruler/Square, Ladder(s), Pencil, 5/32" Drill, 7/16" Socket/Ratchet.

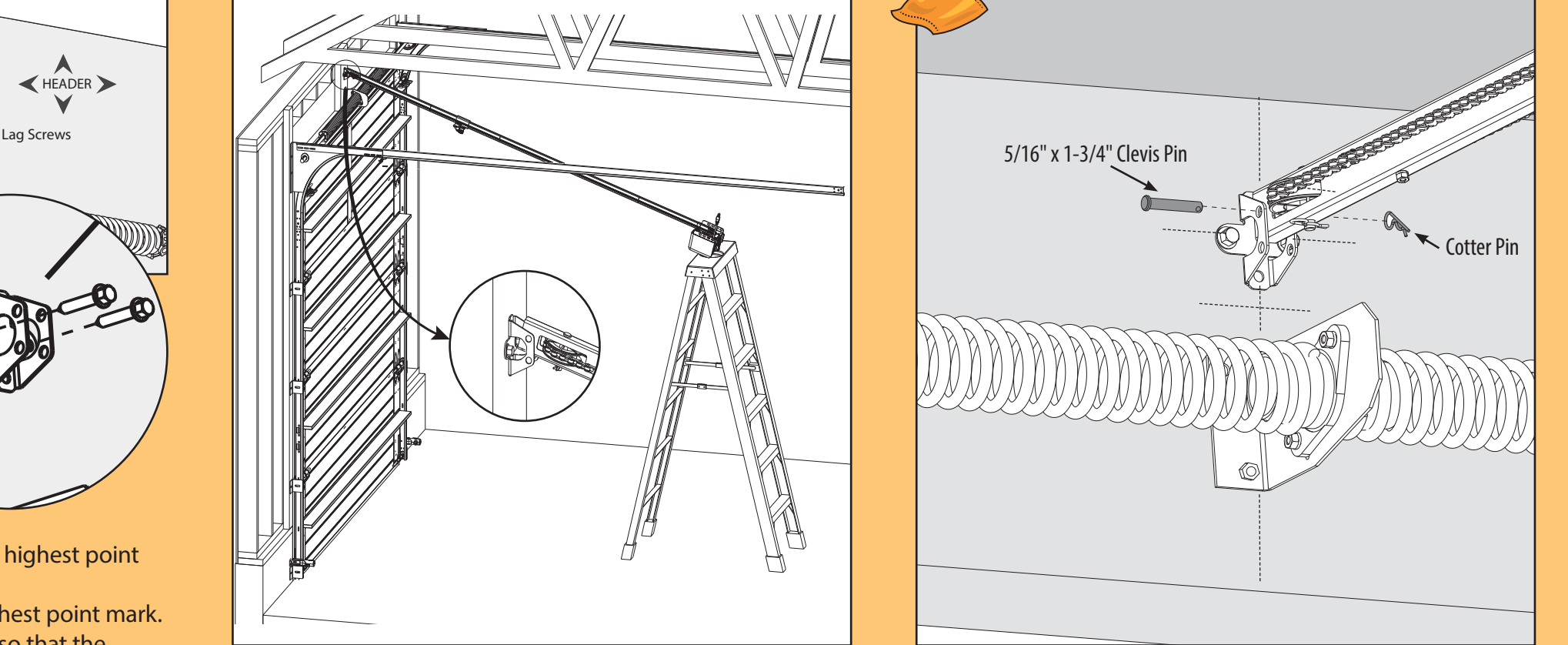


- Determine "highest point of door travel":
 - Get on a ladder to the side of the garage door.
 - Have someone lift the door open slowly.
 - As the door is raised, find the highest point where the door extends above the door tracks—that is the highest point of door travel. This is typically where the top door roller exits the curved portion of the door track onto the horizontal section as the door is raised.
 - With a tape measure, determine the distance from the highest point of door travel to the floor.
- Place a mark on the garage header at the highest point of door travel at the DOOR CENTERLINE.
- Add 2-1/2 inches above the highest point mark.
- Position the header bracket on this mark so that the mounting holes intersect with this line.
- Drill 5/32" pilot holes in header.
- Secure header bracket with 5/16" x 1-3/4" lag screws.

NOTE: If door spring rest where door bracket should be mounted using the instructions above, move door bracket just above door spring.

WARNING
Door springs are under high tension. If spring or shaft is in the way, measure above spring or shaft on the garage door centerline and mark as location for header bracket. **DO NOT ATTEMPT TO MOVE, ADJUST, OR REMOVE DOOR SPRING!**

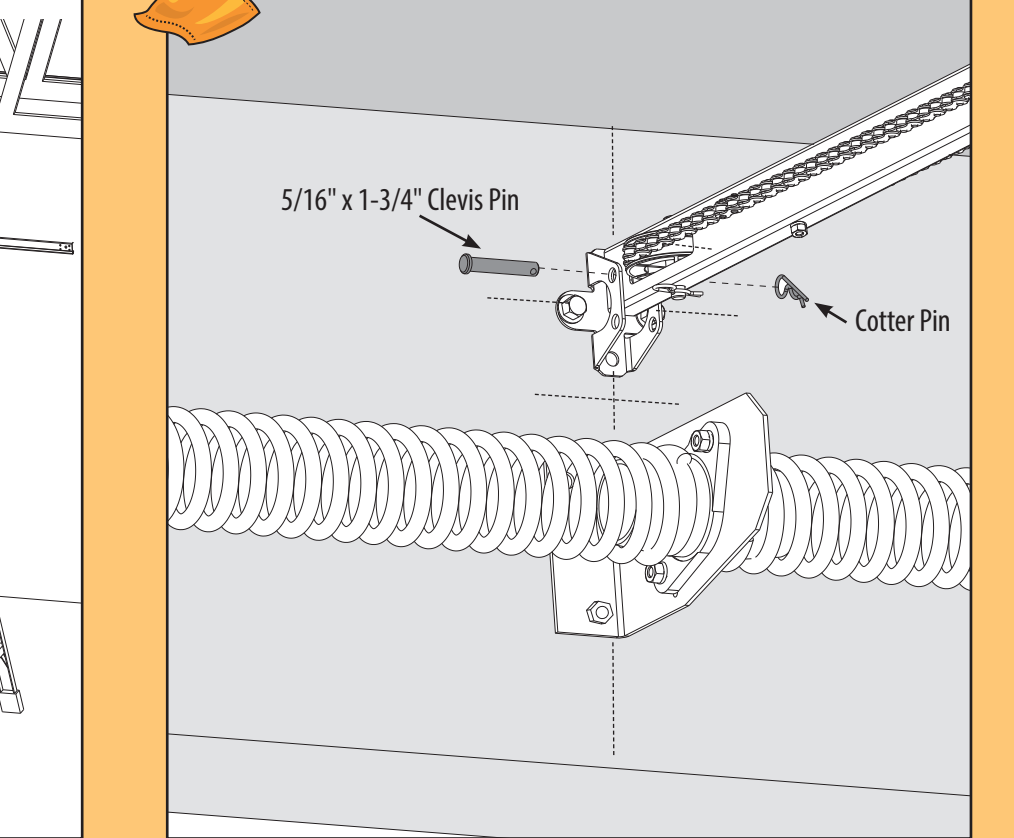
CAUTION
Header bracket must be fastened to garage framing. **DO NOT** fasten to drywall, particle board, plaster, or other such materials.



- Raise opener assembly and position opener rail section inside bracket (inset).
- Support powerhead on a ladder or other suitable item and/or have a second person assist during this step.
- Align holes in rail with upper holes in bracket (inset).
- Slide clevis pin through holes in rail and bracket and secure with cotter pin.
- Slide carriage near the powerhead now to prevent damage to the door for the next step.

AVERTISSEMENT
Les ressorts de la porte sont soumis à une haute tension. Si le ressort ou l'arbre se trouve dans le passage, mesurez au-dessus du ressort ou de l'arbre sur la ligne centrale de la porte de garage et marquez ce repère comme emplacement pour le support de ligneau. **NE PAS DÉPLACER, RÉGLER NI DÉMONTÉ LE RESSORT DE LA PORTE!**

CAUTION
Le support de ligneau doit être monté sur la charpente du garage. **NE PAS** fixer au plâtrier, aggloméré, plâtre ou autres matériaux de ce type.



3 MOUNTING OPENER TO CEILING

Green Parts Bag

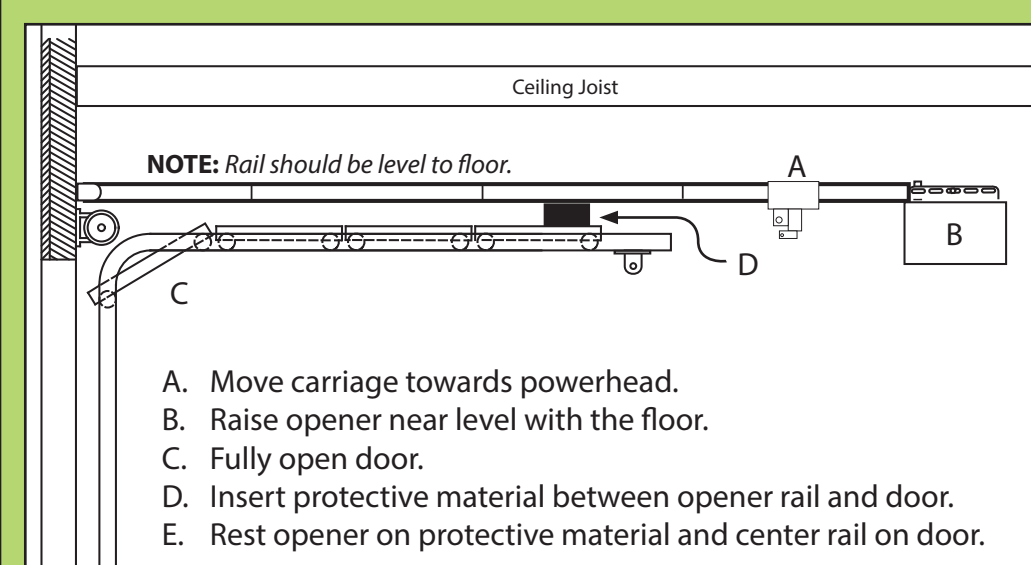
TOOLS: Tape Measure, Level, Ruler/Square, Ladder, Pencil, 5/32" Drill, 7/16" & 1/2" Socket/Ratchet, Hacksaw.

There are several methods to mount the powerhead to the ceiling. The most popular methods are shown here. Use the method, or combination of methods, that best suit the mounting requirements for your garage.

Attach to garage framework only. DO NOT attach to drywall or particle board.

This opener includes 2 - 28in long perforated angle straps, 2- lag screws, and 2- nuts and bolts. Additional hardware may be required depending on the installation requirements.

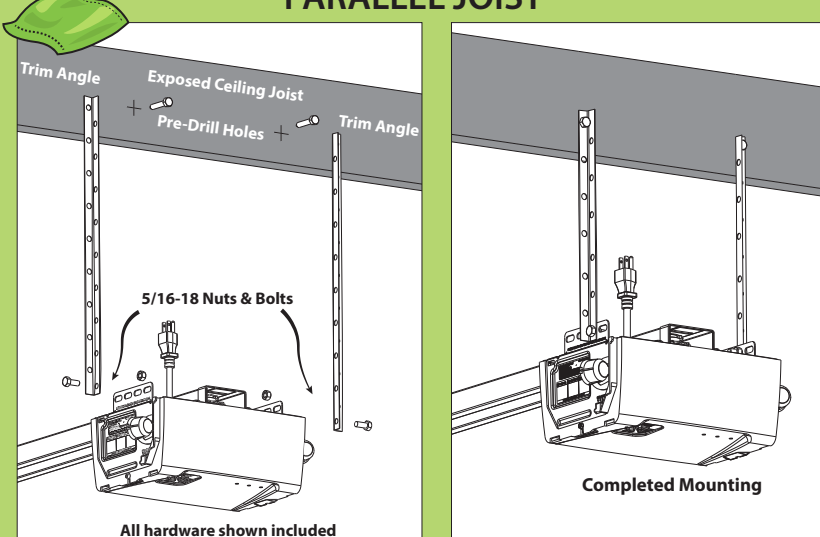
RAISE AND CENTER OPENER TO DOOR



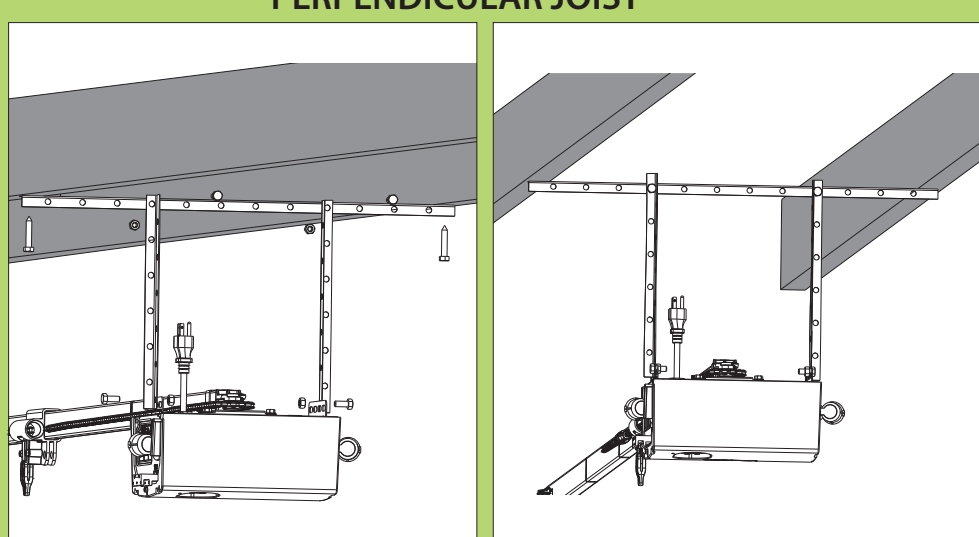
Lift and support powerhead while a second person fully opens the door. Insert a 2 x 4 board, cardboard or towel between door and rail to protect door.

Position opener over the DOOR CENTERLINE and allow it to rest on protective material.

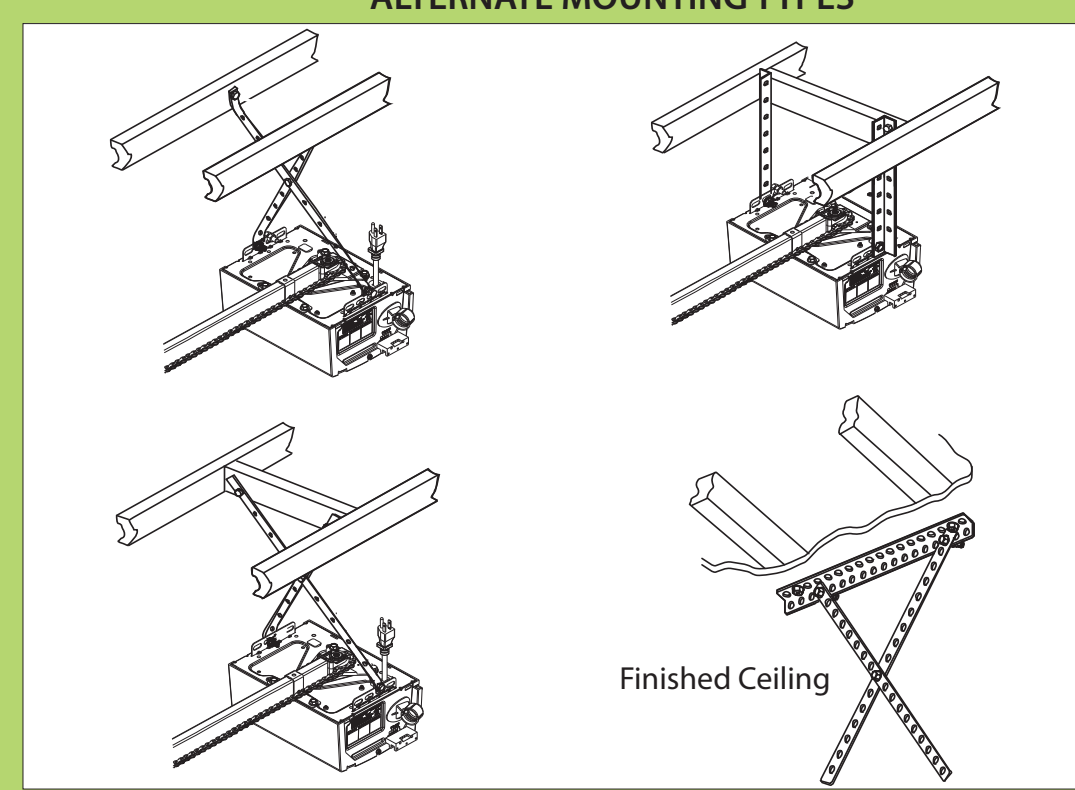
PARALLEL JOIST



PERPENDICULAR JOIST



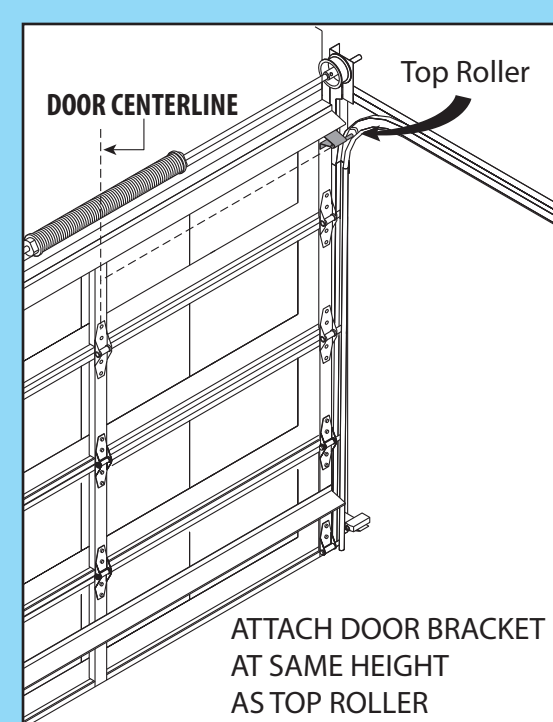
ALTERNATE MOUNTING TYPES



4 ATTACHING OPENER TO DOOR

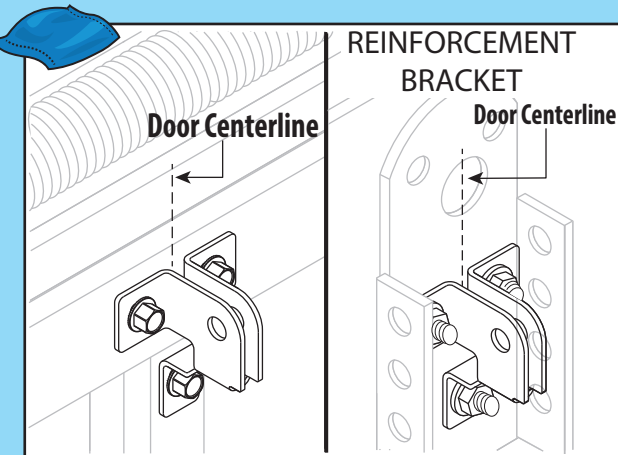
Blue Parts Bag

TOOLS: Tape Measure, Level, Ruler/Square, Ladder, Pencil, 1/8" or 9/32" Drill, 7/16" & 9/16" Socket/Ratchet.

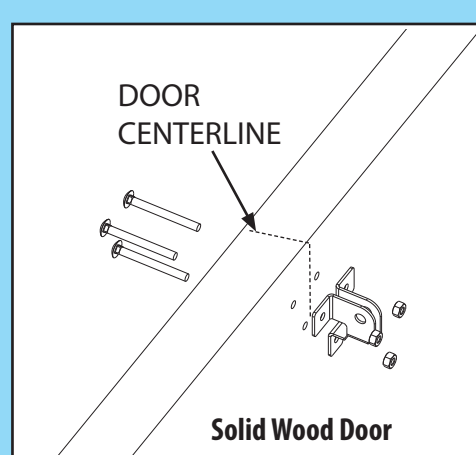


- Sectional Door (Metal Door):**
- Center bracket on door and align near the same height as top rollers.
 - Using bracket as a guide, mark holes on door.
 - Drill 1/8" pilot holes partially through the door.
 - Secure with 1/4" - 20 x 3/4" self-tapping screws.

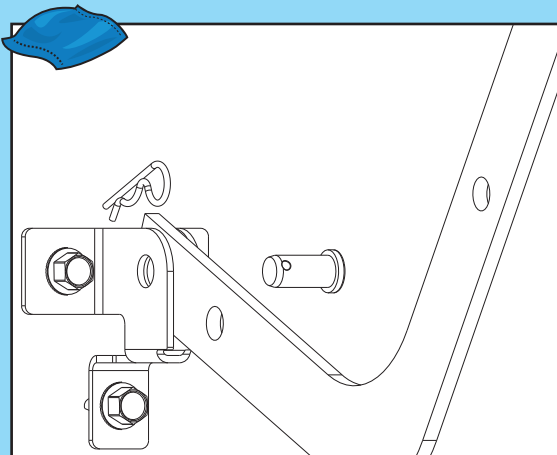
Some garage door manufacturers provide door brackets that CAN be used with your Genie Door Arms.



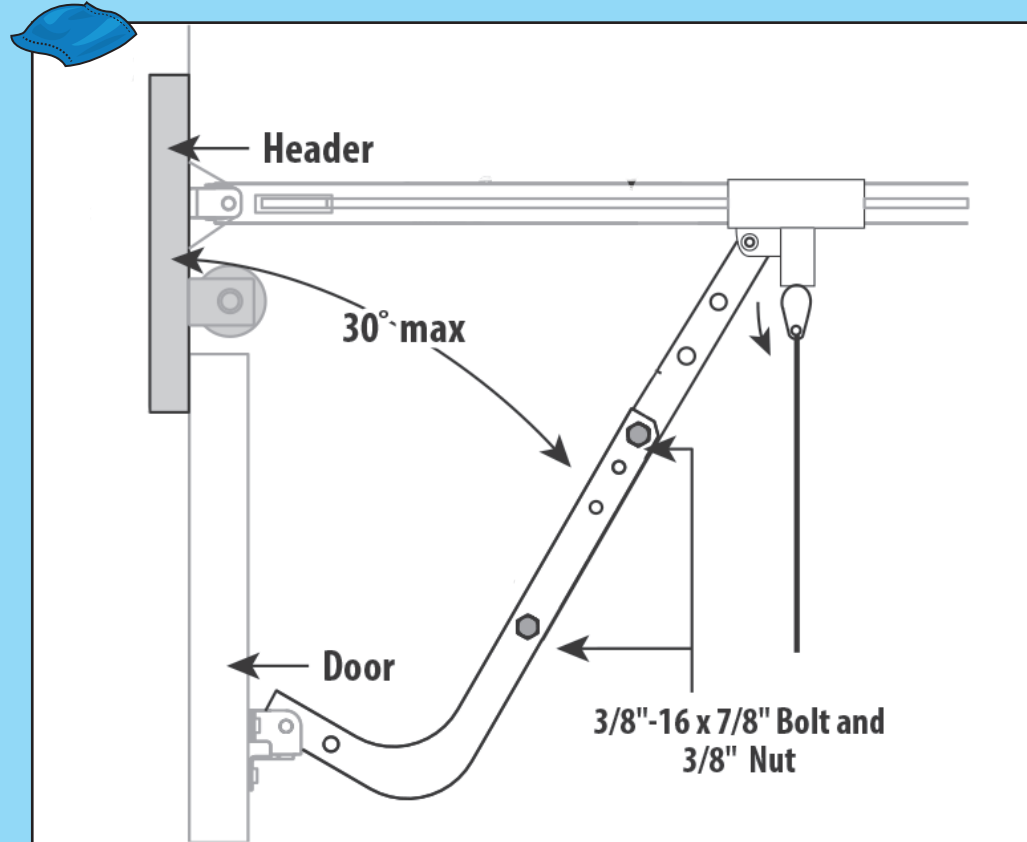
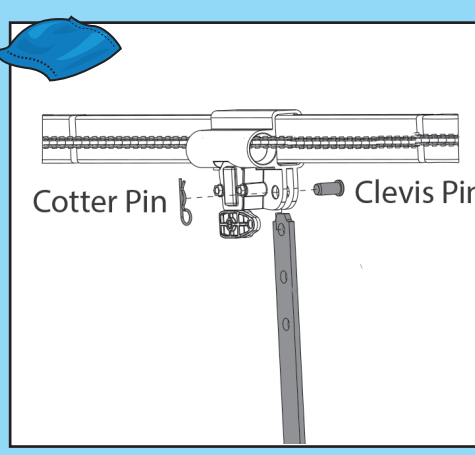
* In some cases, a garage door opener reinforcement bracket should be used. Check the recommendations from the door manufacturer. Attach door bracket to reinforcement bracket.



- Sectional Door (Wooden Door):**
- Center bracket on door. Attach near the same height as top rollers.
 - Using bracket, mark holes on door.
 - Drill 9/32" holes completely through the door.
 - Fasten bracket with 1/4" X ** carriage bolts and nuts (not provided).
- *Measure thickness of door and add 1/2 inch to purchase correct length of carriage bolts. Stainless Steel bolts are recommended to prevent staining of the door.



- Attach the curved door arm to the door bracket with 3/8" X 1" clevis pin and hair pin.
 - Attach the straight door arm with 3/8" X 1" clevis pin and hair pin.
 - Attach the emergency release cord to the carriage release arm. Tie a simple overhand knot to secure.
 - Position emergency release handle to be approximately 6 feet from floor*. Attach with a simple overhand knot. Cut off excess.
- * If the emergency release handle interferes with vehicle roof rack, sunroof or other object that may interfere with the proper and safe operation of the release mechanism, move release handle further upwards.
- NOTE: Emergency release handle MUST be placed where home occupant(s) can reach.



- Slide the carriage to about 16 inches from the door.
- Position carriage and door arms to form an angle of approximately 20 to 30 degrees.
- Attach the curved and straight door arms together using 3/8"-16 x 7/8" bolts and nuts. Space the fasteners as far apart as possible.

NOTE: Overall length of both arms should be minimized, but not so short that the straight arm is vertical or too long that it exceeds 30° from the header.

5 WIRING THE OPENER (Safe-T-Beam® & Wall Console)

Yellow Parts Bag

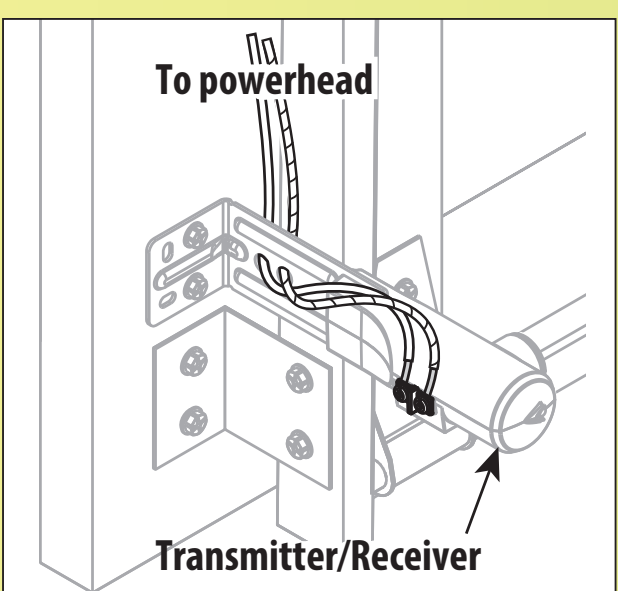
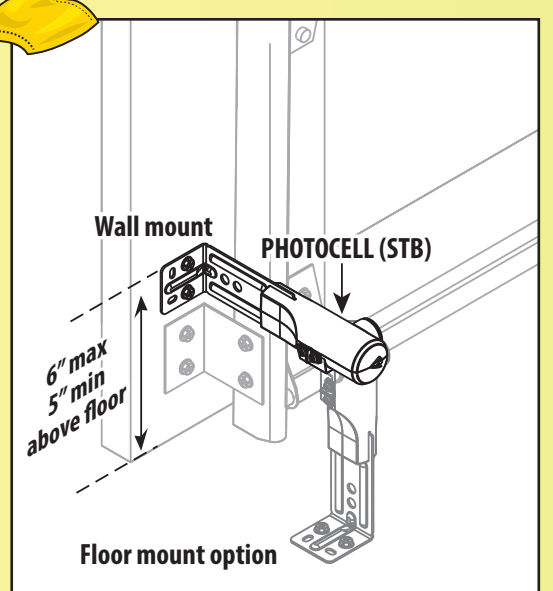
Green Parts Bag

TOOLS: Ladder, Pencil, Small Common Screwdriver, Wire Strippers/Wire Cutters, Hammer, 3/32" Drill, 1/4" Socket/Ratchet

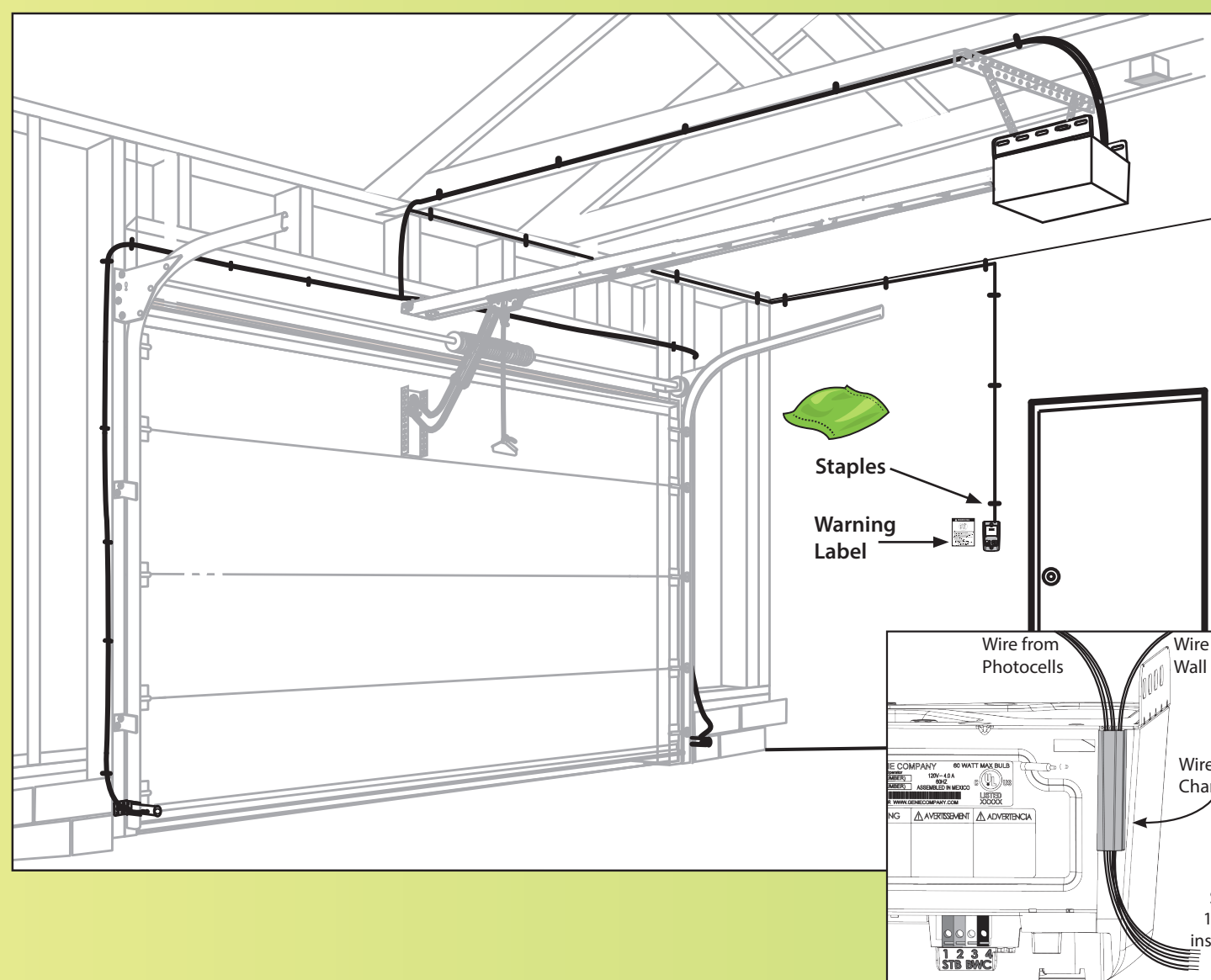
NOTE: All low voltage wiring must be CL2 or equivalent rated

Safe-T-Beams®

- Position Safe-T-Beam™ (STB) Transmitter and Receiver on each side of garage door 5"- 6" above floor. Face the lenses towards each other.
- Mark bracket mounting holes; drill 3/32" pilot holes and secure with (4) 1/4" x 1-1/4" lag screws (provided) into wood. If mounting into concrete or block, other fasteners are required and are available at leading retail stores.
- Use garage pre-wiring if available. Otherwise, route 2 lengths of supplied wire from powerhead, along the ceiling, across the header and down both sides of the door, to each sensor. Secure the wire to the ceiling and walls using the insulated staples (green bag).
- On the powerhead: insert both wires down through the control wire channel. Remove 1/4" insulation from both sets of white and striped wire. Twist two striped wires together. Using a small flat head screwdriver, press in the orange tab at terminal 1 and insert the wires. Twist the two white wires together and insert into terminal 2. Ensure the wires are in their terminal, adjust as necessary.
- At each sensor, remove 1/4" insulation from the white and striped wires and secure in each terminal. Ensure the wires are secure at each terminal; adjust as necessary.

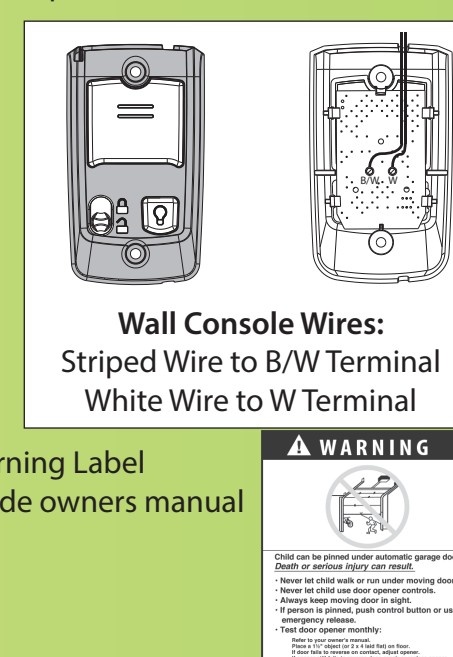
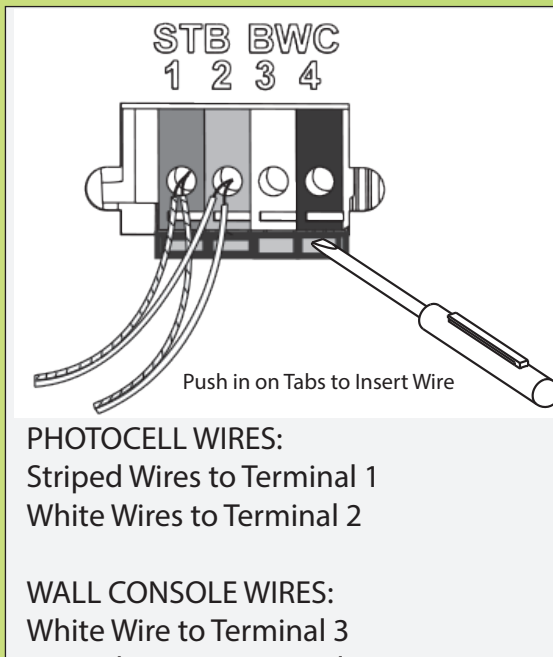


TYPICAL INSTALLATION



Wired Wall Console

- NOTE: Skip steps 1-4 if your model included the Wireless Wall Console. See owners manual for more instruction.
- Use garage pre-wiring if available. Otherwise, route supplied wire from powerhead to the desired location for the wall control. Secure wire with insulated staples (green bag).
 - On the powerhead: insert wire down through the control wire channel. Remove 1/4" insulation from white and striped wire. Using a small flat head screwdriver, press in the orange tab and insert the white wire in terminal 3 and the striped wire in terminal 4. Ensure the wires are secure in each terminal; adjust as necessary.
 - At the wall console end of the wire, remove 1/4" insulation from the white and striped wires and secure the white wire to the "W" terminal and the striped wire to the "B/W" terminal as shown. Ensure the wires are secure at each terminal; adjust as necessary.
 - Mark the wall console mounting holes, drill 3/32" pilot holes and mount with #6 x 1-1/4" screws. If mounting to drywall, anchors will be required (not provided).
 - Post the "ENTRAPMENT WARNING LABEL" (Included in the Operation and Maintenance Manual) next to the wall console. (Use alternate label for IDCM model openers, see owners manual)



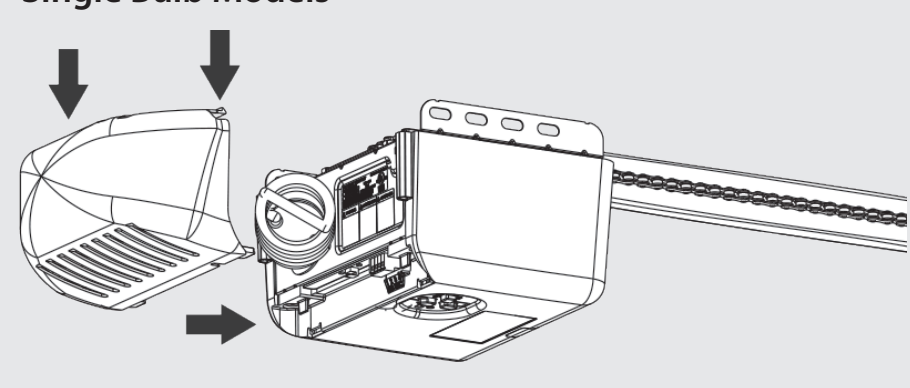
6 INSTALL LIGHT BULBS AND LENS COVERS

- Install light bulbs into powerhead light socket(s). Skip this step for integrated LED models.
- Insert lower lens tabs into slots in motor cover on powerhead.
- Snap upper lens tabs into place. It may be necessary to squeeze tabs down slightly to align tabs with slots at top of opener frame.

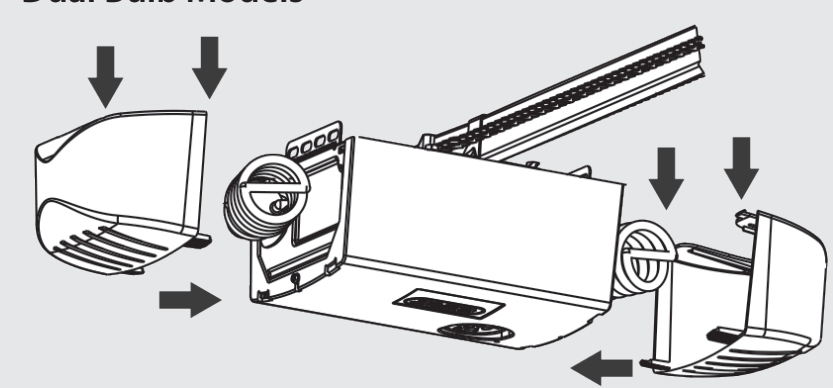
NOTE: Aladdin Connect® models require a minimum 40 Watt equivalent bulb, 60 Watt maximum.

NOTE: Integrated LED lighted models require specialty kits for replacement. See owners manual parts section.

Single Bulb Models



Dual Bulb Models



Compact CFL, SPECIALTY LED®, or Incandescent Bulbs can be used. 60W Max.

* Genie LED light bulbs are designed to reduce or eliminate reduced remote range issues caused by common LED bulbs. They also offer better product life by making them resistant to vibration caused by the opener, and cold or damp weather. See website for details at www.GenieCompany.com

7 POWER THE OPENER

CAUTION

DO NOT run opener until travel limits have been set to avoid damage to unit.

CAUTION

NE PAS faire fonctionner l'ouvre-porte au-delà des limites de parcours pour ne pas endommager l'unité.

WARNING

Opener is equipped with grounded electrical plug for your protection, and only fits grounded electrical outlets. DO NOT alter plug in any way! If you have no grounded outlets, have one installed by a licensed electrician. Opener must be properly grounded to prevent personal injury and equipment damage. NEVER USE AN EXTENSION CORD! Check local building codes for any requirement that you must have a permanent hard-wired connection.

AVERTISSEMENT

L'opérateur, qui est équipé d'une prise électrique mise à la terre pour votre protection est compatible uniquement avec des prises électriques mises à la terre. NE PAS modifier la fiche d'une quelconque manière. Si vous n'avez pas de prises mises à la terre, faites-en installer par un électricien agréé. L'opérateur doit être correctement mis à la terre pour éviter les blessures corporelles et des dommages matériels. NE JAMAIS UTILISER DE RALLONGE! Vérifiez les codes locaux des bâtiments pour connexions câblées permanentes. Les connexions câblées permanentes doivent être effectuées par un électricien agréé qui se servira d'outils appropriés et respectera les consignes.

FOR GROUNDED OUTLET CONNECTION:

Plug in the power cord to standard 115 VAC outlet. Coil excess cord and tape or twist tie it to top of powerhead. (DO NOT PLACE DIRECTLY ABOVE LIGHT BULBS.).

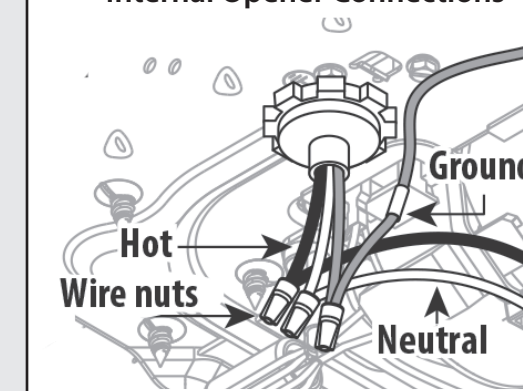
FOR PERMANENT WIRING BY AN ELECTRICIAN ONLY:

- Cut existing power cord outside chassis.
- Remove strain relief and strip insulation from power cord wires inside chassis.
- Install suitable power cable and connectors (Adhere to local code and regulations)
- The wire connections must be made INSIDE CHASSIS and there must be at least 6" of new power supply line wire INSIDE CHASSIS.
- Check local code for the use of conduit or other protective material. (Conduit, strain relief, and wire nuts are not provided.)

ONCE POWER IS APPLIED:

- Verify that the RED and GREEN lights are lit on the Safe-T-Beam®. If they are not lit, return to step 5 and check wiring.
- Verify that the wall console is lit RED. If powerhead LED is blinking blue, press the Sure-Lock® button on the console. If the console is not lit RED, return to step 5 and check wiring.

Internal Opener Connections



INSTALLATION IS COMPLETE. OPENER IS NOW READY TO PROGRAM

Refer to the Programming, Operation and Maintenance Manual for programming and Battery Backup installation instructions.