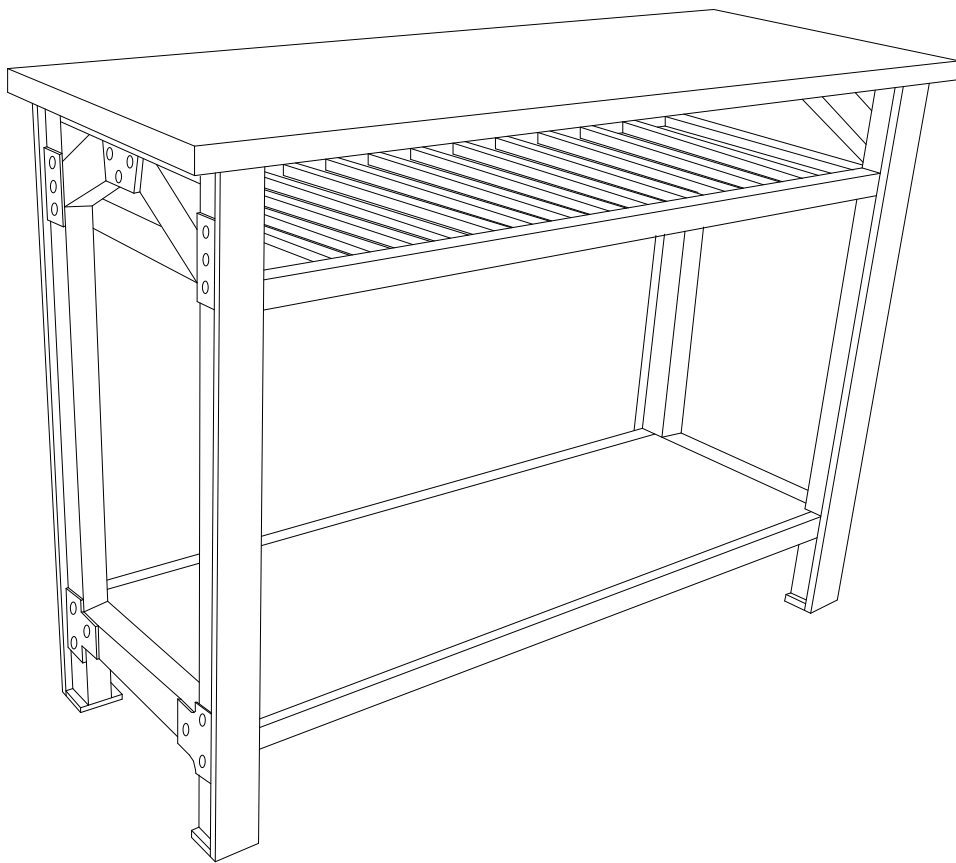





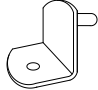



YOSEMITE

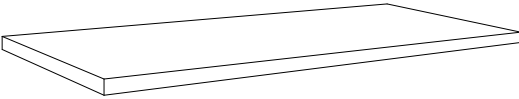
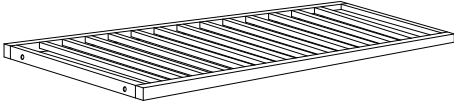
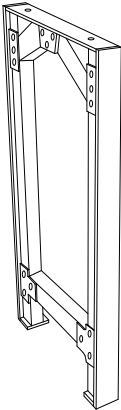
CONSOLE TABLE ASSEMBLY INSTRUCTION



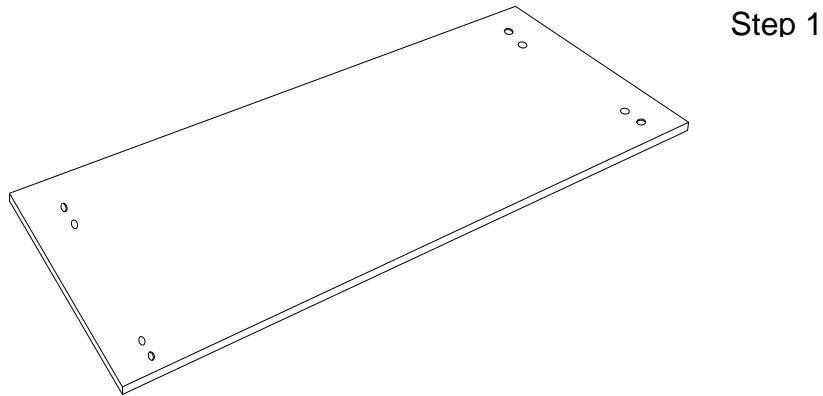
NOTE: We recommend setting this Bed up in it's final destination.

Ltr.	Qty.	Hardware Included.	
A	4		Allen Bolt Ø 6 x 30mm
B	4		Allen Bolt Ø 6 x 40mm
C	8		Lock Washer
D	8		Flat Washer
E	4		Screws
F	4		Shelf supports
G	1		Allen Key

TOOLS NEEDED:
- Assembly requires 2 or
More people

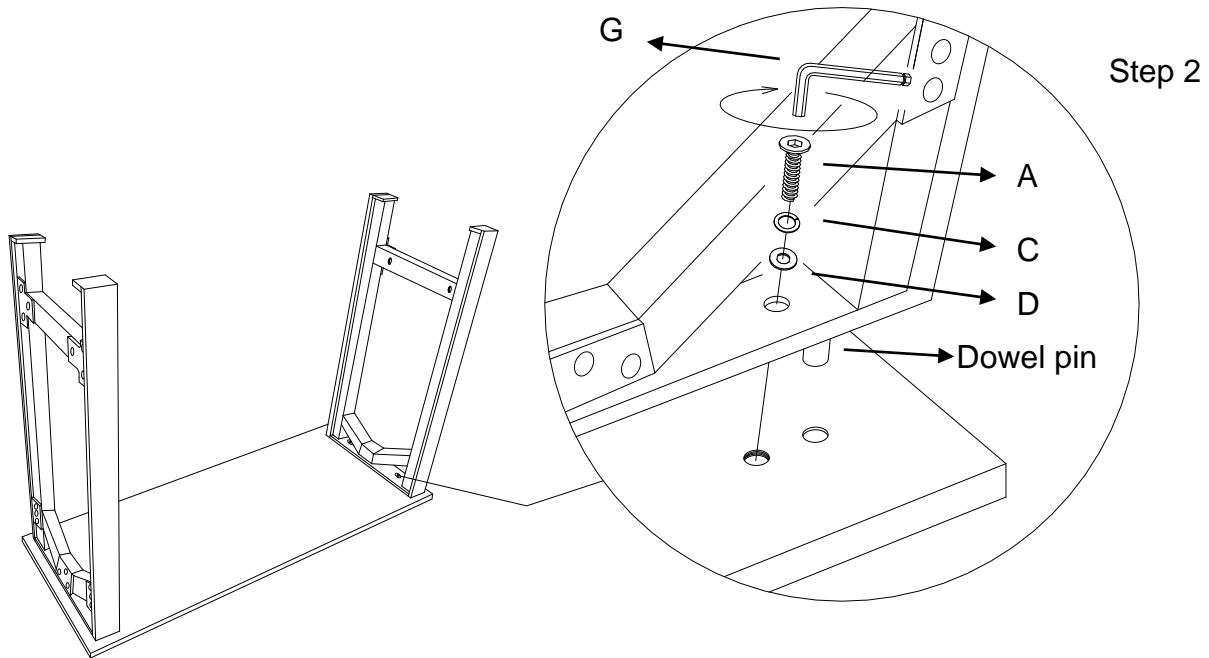
Ltr.	Qty	Components	
H	1		 
I	2	Top panel (H)	
J	1	Slat Shelf (J)	
K	1	Panel Shelf (K)	

Step 1: Place the Top panel on a clean protected work surface where the Table can be assemble as shown in the step 1.

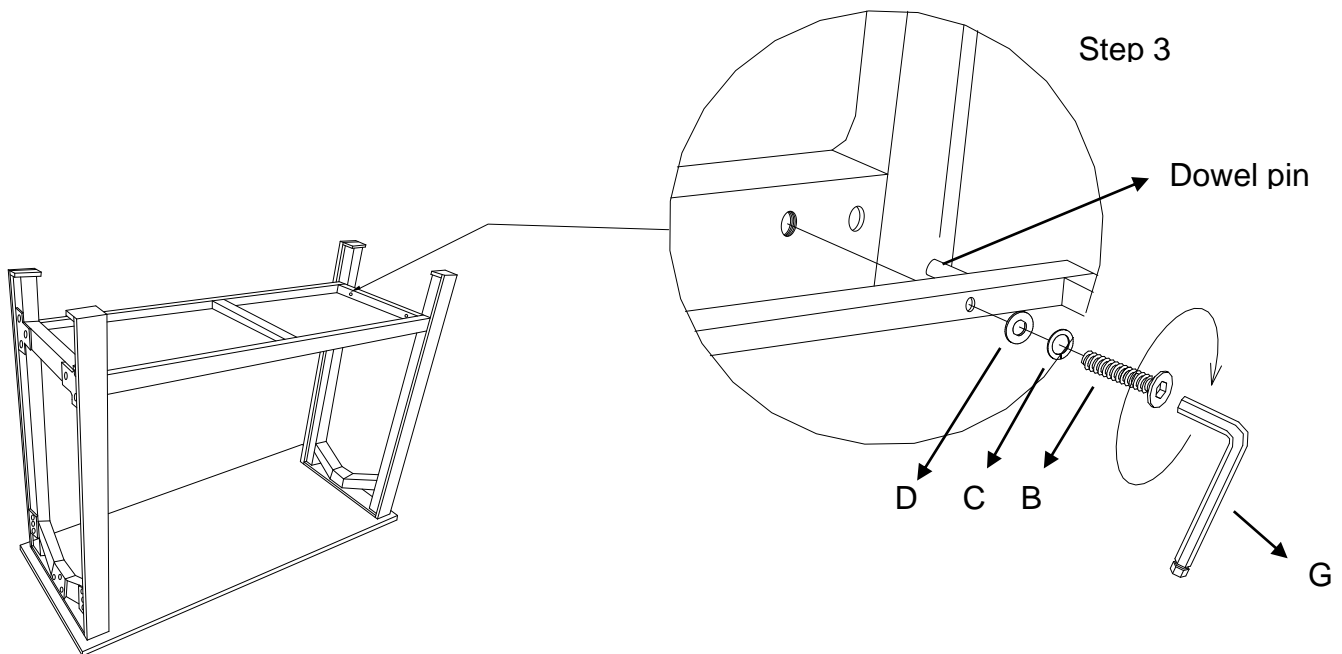


Step 2: Insert the dowel pin of the legs assembly aligning the holes with the female insert nut of the top panel, insert the Bolts (A) with the complete lock washer and flat washer into the female insert nut then tighten with the Allen key provided as shown in the step 2.

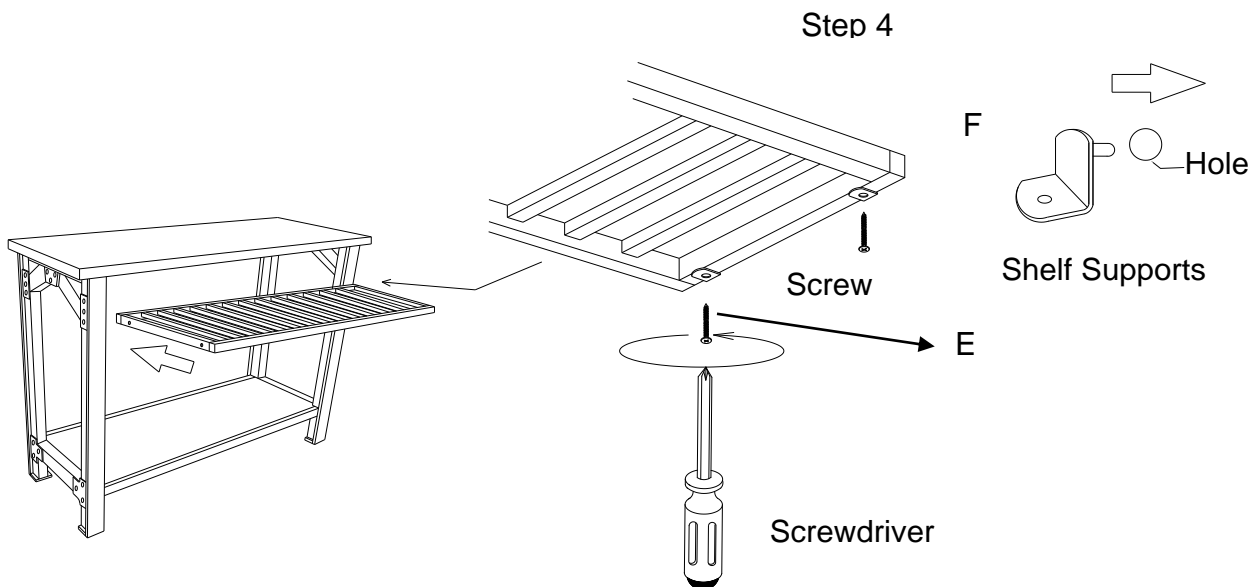
Note: Do not tighten the bolts until the shelf is property installed.



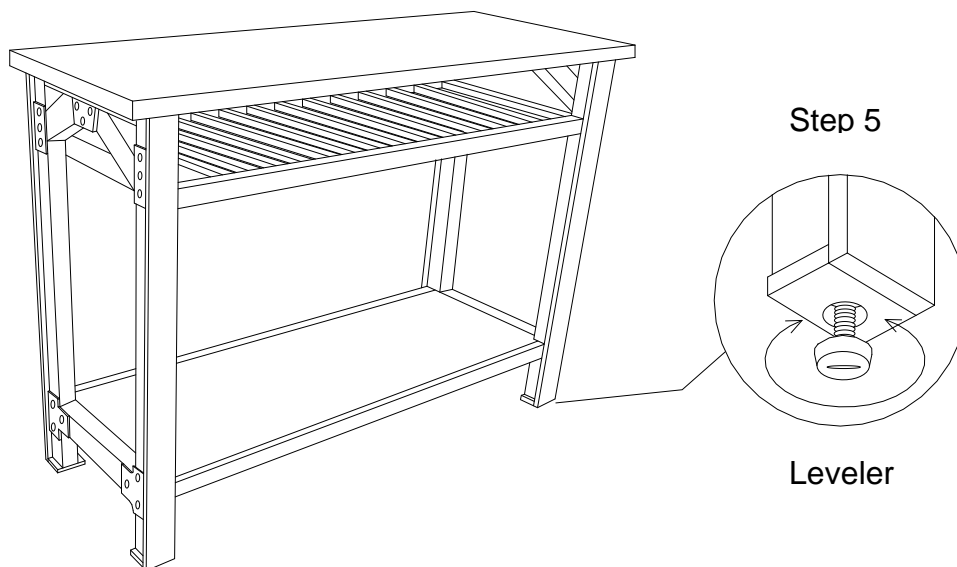
Step 3 : Insert the dowel pin of the shelf into the bottom rail of the leg assembly. Insert the bolts (B) (with the complete lock washer and flat washer) into the female insert nut of the legs thru the end cleat of the shelf assembly and tighten with the Allen key provided. as shown in the step 3



Step 4 : Insert the shelf supports into the hole of the leg assembly then place the slat shelf and screw (E) using Philip Screwdriver (Not included) .



Step 5: If the floor is uneven adjust the levelers located at the underside of the legs, to do this lift up the side that need to be elevated to provide access to the levelers, turn the leveler until adequate contact with the floor as shown in the step 5.



Cleaning & Care:

DO NOT use alcohol based products or spray polisher as they can damage the finish.
Dust with soft cloth. One to two times monthly apply beeswax polish as needed.

Finish can be affected by heat or extended contact with oils or wine.