



Chandelier

We want you to be safe while installing your beautiful chandelier! Refer to these guidelines to help prevent accidents and any damage. Be sure to consult your owner's manual for more detailed installation instructions or consult your local electrician. **Remember to turn off the power before starting to install your new chandelier for safety purposes.**

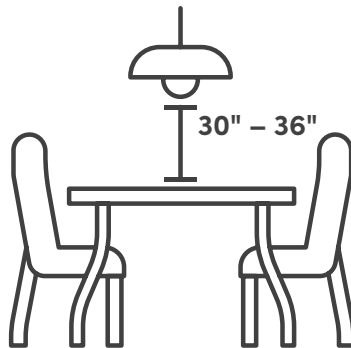
General Height Calculation

To figure out how far your chandelier should hang, we recommend 3" for every foot of space between the floor and ceiling. Simply multiply the height of your ceiling (in feet) by three. For example, if your ceilings are 8' high, your chandelier should be 24" tall ($8 \times 3 = 24$).

Room-Specific Height Calculation

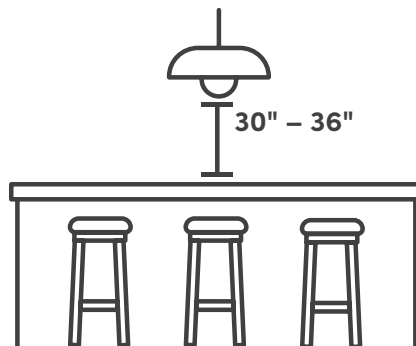
Dining Room

- **Hanging Height:** The bottom of the chandelier should hang 30" – 36" above the table.
- **Where to Hang:** Center the light above the middle of the table – not the middle of the room.



Kitchen Island

- **Hanging Height:** The bottom of the chandelier should hang 30" – 36" above the countertop.
- **Where to Hang:** Center the chandelier in the middle of the island.

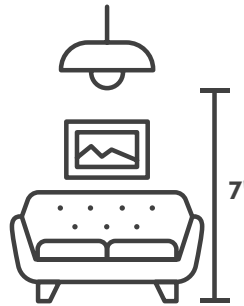


Entryway, Bedroom, or Living Room

- **Hanging Height:** Always have 7' of clearance between the bottom of the chandelier and the floor.
Note: For ceilings taller than 8', mount the chandelier an additional 3" higher for every extra foot above 8'.
- **Where to Hang:**
Entryway: Center the chandelier in the middle of the space.

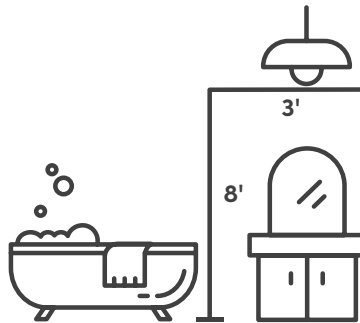
Tip: If you have a large foyer, place it over a round table for a bold statement!

Bedroom/Living Room: Place the chandelier in the middle of the room or above a bedside or coffee table.



Bathroom

- **Hanging Height:** Mount it at least 8' above the highest point from the tub's edge.
- **Where to Hang:** Due to strict building codes for wet environments, the chandelier must be at least 3' to the side of the tub or shower.
- **Caution:** Make sure that the chandelier is enclosed or made for moisture-rich environments.



How to Install Your Chandelier

1. **Turn off the power.** Safety first!
2. **Attach your electric box.** Make sure it is secure and free of any frayed wires.
3. **Assemble your chandelier.** Follow the instructions in your user manual before hanging it up.
4. **Measure the chain.** Use the tips above to ensure it hangs at the perfect height.
5. **Attach the chandelier to the electric box.** Refer to your user manual for instructions.
6. **Connect the wires.** Most chandeliers will have a black wire and a white one. Twist the stripped end of the black wire from the ceiling to the fixture. Repeat with the white wire. Place the wires back in the electric box and secure it until it is closed.
7. **Please note this step can be tricky, so reach out to an electrician for assistance if needed.**
Screw in your lightbulbs. Enjoy your new light fixture!