



# Forté® | K-T10360-4

MasterShower® volume control valve trim

## Features

- Includes faceplate with handle
- Single handle provides on/off activation and volume control
- Complements Forté faucets and accessories



## Available Colors/Finishes

*Color tiles intended for reference only.*

- SN Vibrant Polished Nickel
- PB Vibrant Polished Brass



1-800-4KOHLER (1-800-456-4537)  
Kohler Co. reserves the right to make revisions without notice to product specifications.  
For the most current specification sheet, go to [www.kohler.com](http://www.kohler.com) USA or [www.kohler.ca](http://www.kohler.ca) Canada.  
3-27-2026 14:10 - US-CA

THE BOLD LOOK  
OF **KOHLER**®

---

## Codes/Standards

ADA, CSA B651 compliant when installed to the specific requirements of these regulations.

ADA    CSA B651

ASME A112.18.1/CSA B125.1

ADA

ICC/ANSI A117.1

CSA B651

---

## Technical Information

All product dimensions are nominal.

### Handle

Handle Style/ Type:                      Lever

---

## Valves

Required Valve:                      Volume Control

---

## Material

- Premium material construction with metal handle ensures reliability and durability
  - KOHLER finishes resist corrosion and tarnishing
- 

## Recommended Products/Accessories

K-23723 Faucet cleaner

---

## Warranty

See website for detailed warranty information.

KOHLER® Faucet Lifetime Limited Warranty

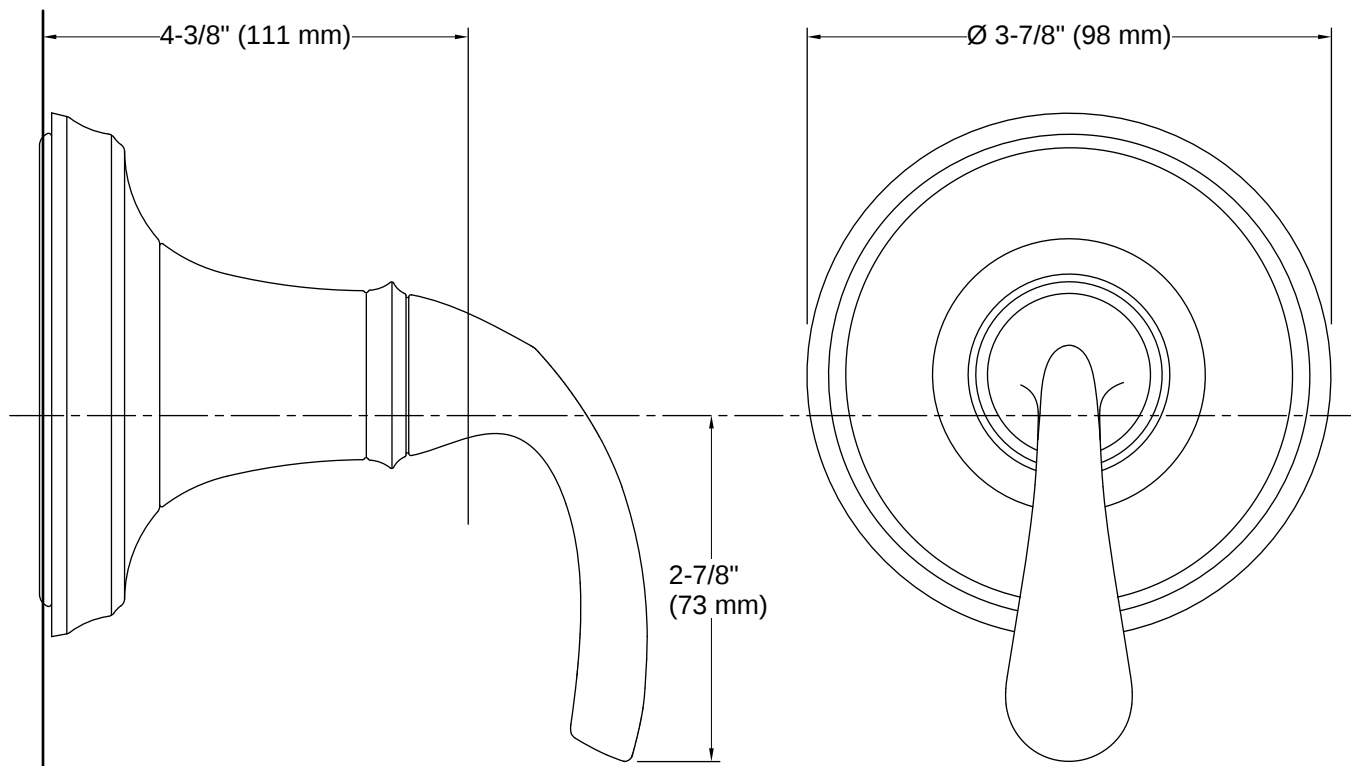


1-800-4KOHLER (1-800-456-4537)

Kohler Co. reserves the right to make revisions without notice to product specifications.

For the most current specification sheet, go to [www.kohler.com](http://www.kohler.com) USA or [www.kohler.ca](http://www.kohler.ca) Canada.

3-27-2026 14:10 - US-CA



## Installation

- Trim only; requires valve to complete installation (sold separately)
- Patented K-joint installation technology ensures consistent trim appearance, regardless of variability in valve rough-in

## Installation Notes

*Install this product according to the installation instructions.*

ADA, CSA B651 compliant when installed to the specific requirements of these regulations.

