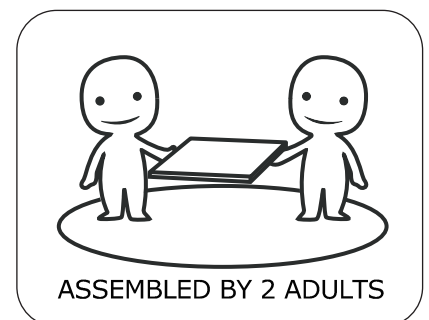
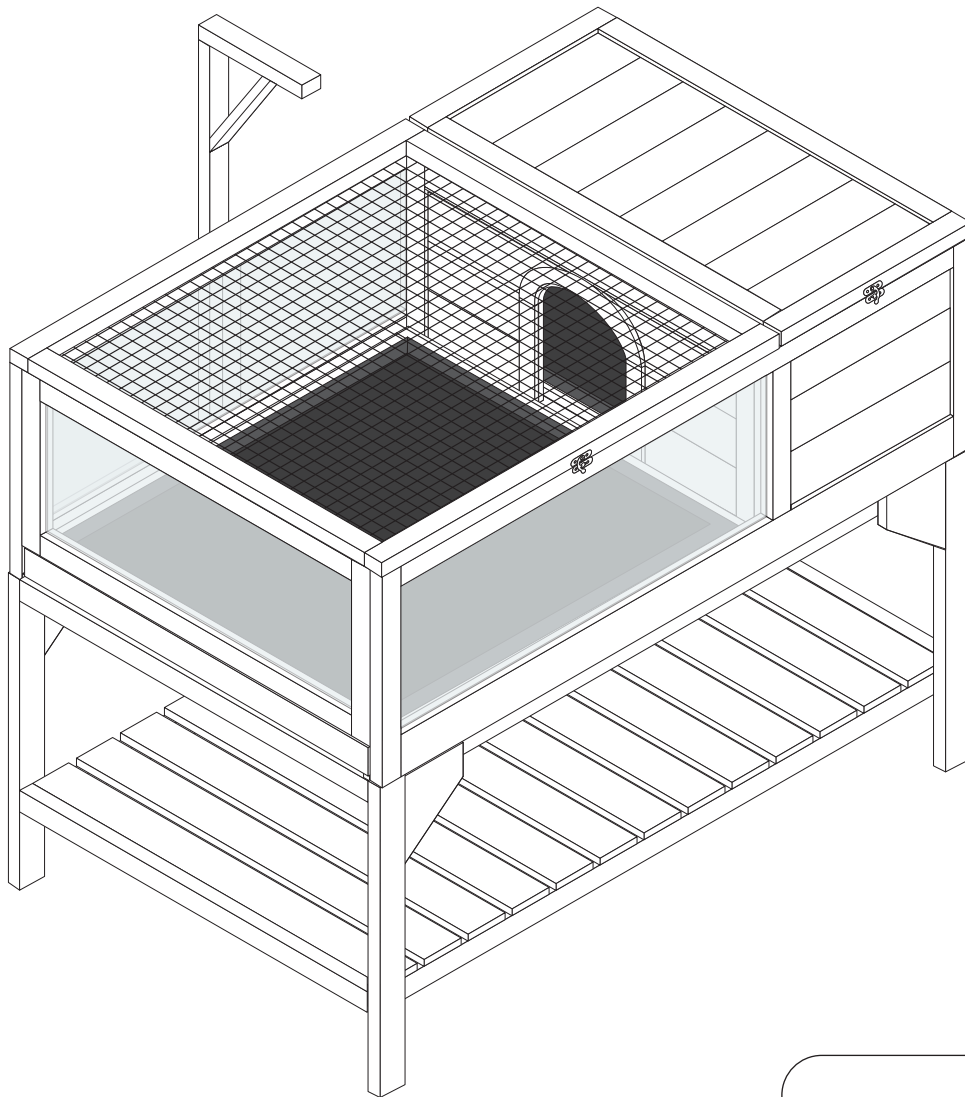
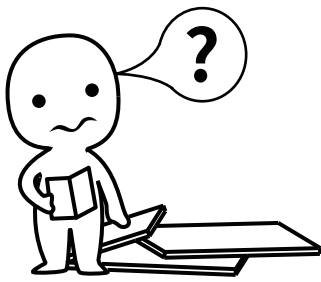


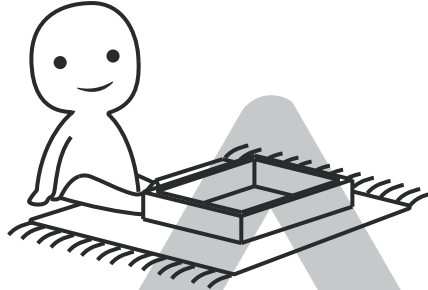
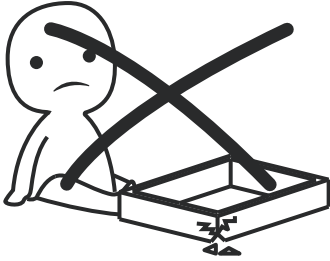
WOOD TORTOISE HABITAT





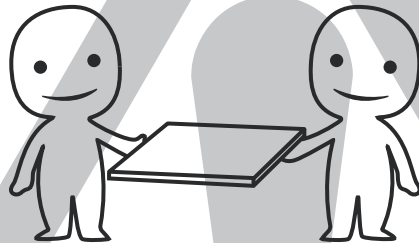
IMPORTANT INFORMATION!

please read the entire manual before starting to assemble and/or using this product. follow the manual thoroughly and keep it for further reference.



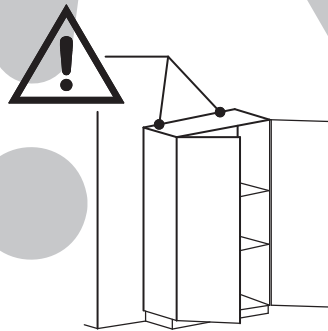
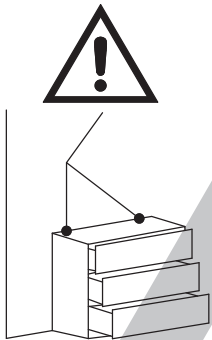
AVOID SCRATCHES!

In order to avoid scratching this furniture should be assembled on a soft layer- could be a rug.



IMPROVE EFFICIENCY !

Try to find a partner to install with you, which can speed up the installation efficiency and shorten the time.



ANTI-TOPPLE WARNING !

Overturned furniture can cause serious or fatal crush injuries. To prevent tipping over, be sure to use the wall attachment, if not included with this product. Please purchase the wall attachment that fit your wall. If unsure, seek professional advice. Please read and follow each step of the instructions carefully.

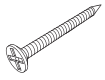
IMPORTANT !

It is important that any product which is assembled using any kind of screw is re-tightened 2 weeks after assembly, and once every 3 months - in order to assure stability through-out the lifespan of the product.

For regular maintenance and cleaning of the product, for the frame, please use a rag dipped in neutral detergent to fully wipe it, and then dry it with a clean rag. For glass materials, wipe with a rag dampened with water glass cleaner, and then dry with a dry rag.

Do not use an electric screwdriver, and do not use too much force when installing, because the board is easy to break.

Ax2



M4x50mm

Bx32



M4x30mm

Cx2



M4x20mm

Dx24



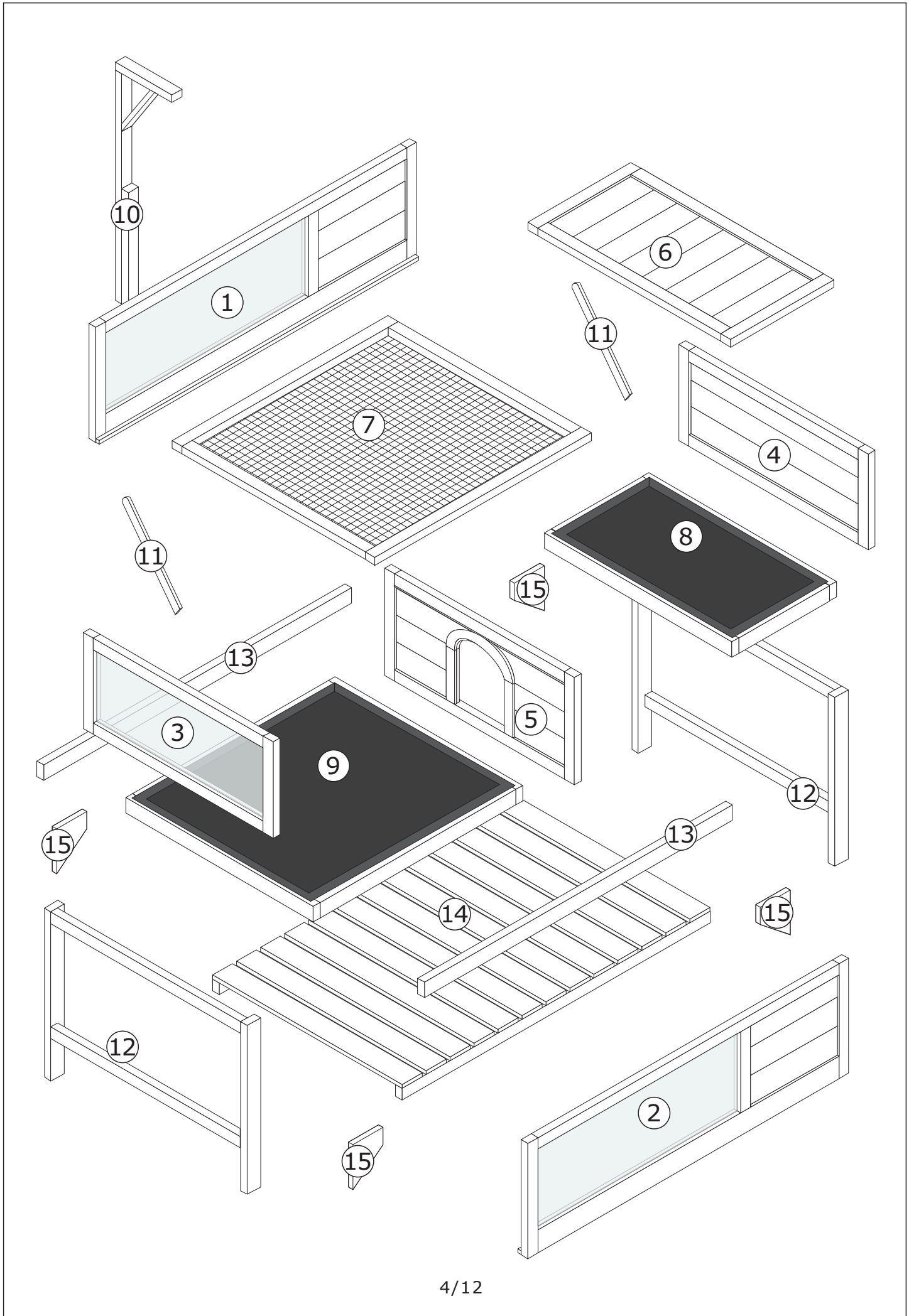
M3x16mm

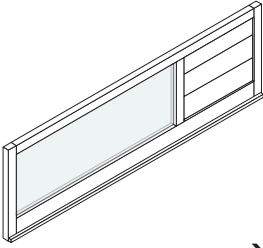
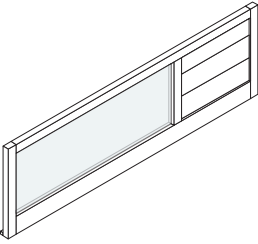
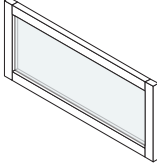
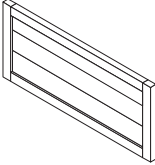
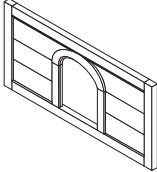
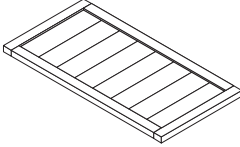
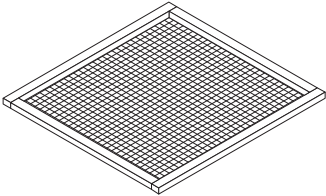
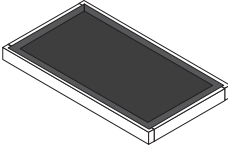
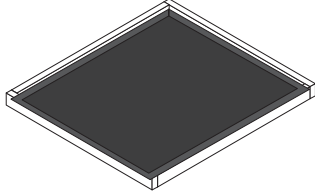
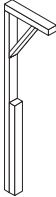

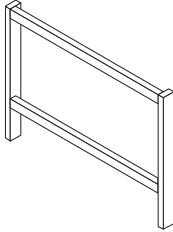
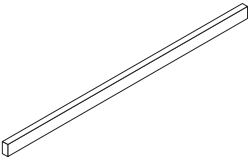
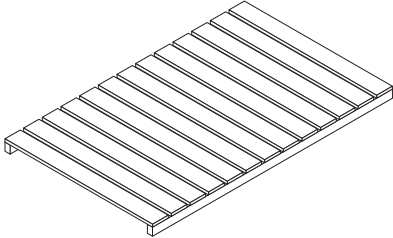

Ex4



Fx2





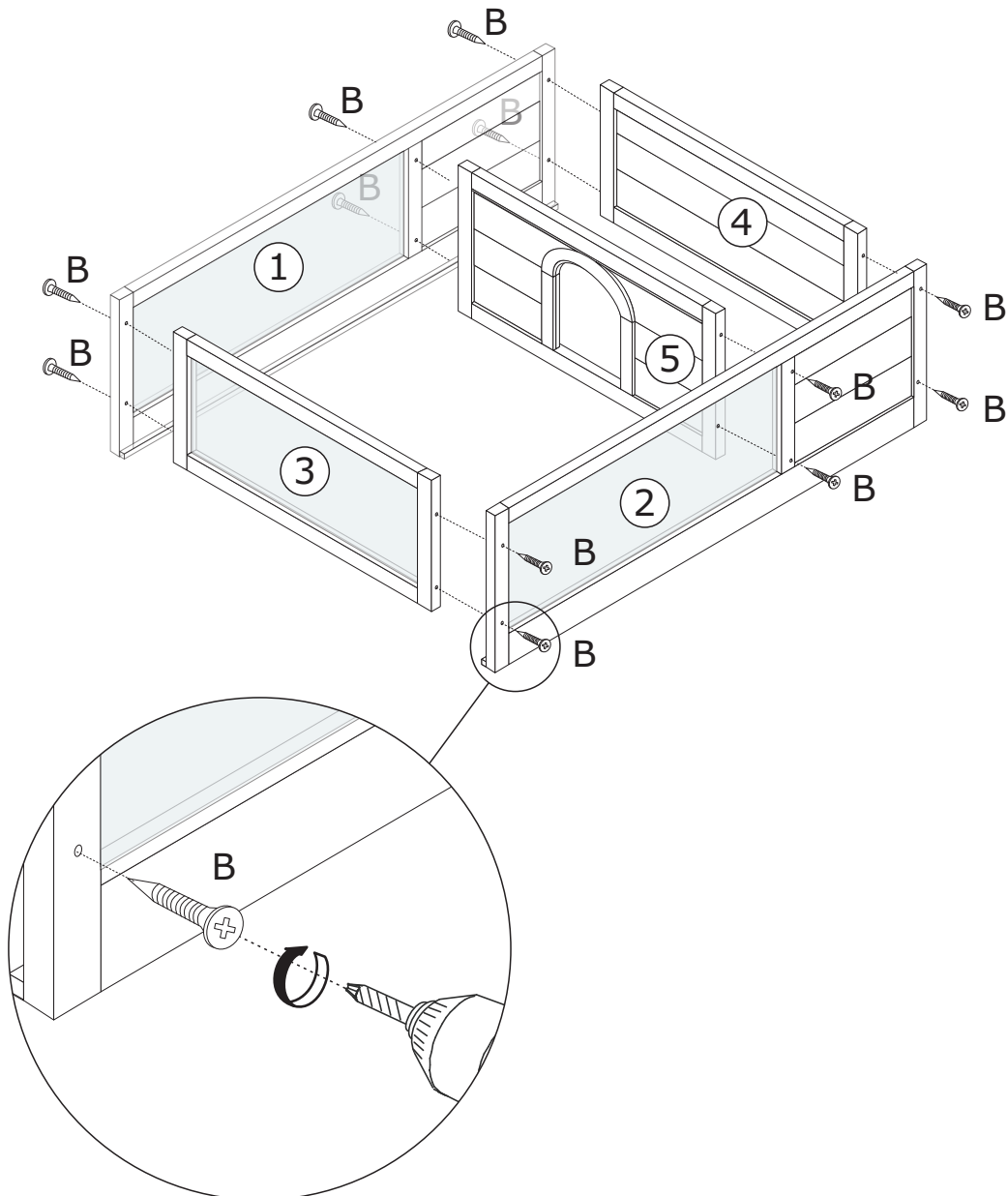
<p>①</p>  <p>x1</p>	<p>②</p>  <p>x1</p>	<p>③</p>  <p>x1</p>
<p>④</p>  <p>x1</p>	<p>⑤</p>  <p>x1</p>	<p>⑥</p>  <p>x1</p>
<p>⑦</p>  <p>x1</p>	<p>⑧</p>  <p>x1</p>	<p>⑨</p>  <p>x1</p>
<p>⑩</p>  <p>x1</p>	<p>⑪</p>  <p>x2</p>	<p>⑫</p>  <p>x2</p>
<p>⑬</p>  <p>x2</p>	<p>⑭</p>  <p>x1</p>	<p>⑮</p>  <p>x4</p>

1

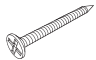


<p>Bx12</p>  <p>M3.5x30mm</p>	
--	--

Attach part 2 front panel and part 1 back panel to part 3 and part 4 side panels with eight part B screws.

Attach part 5 middle panel with four part B screws.



2

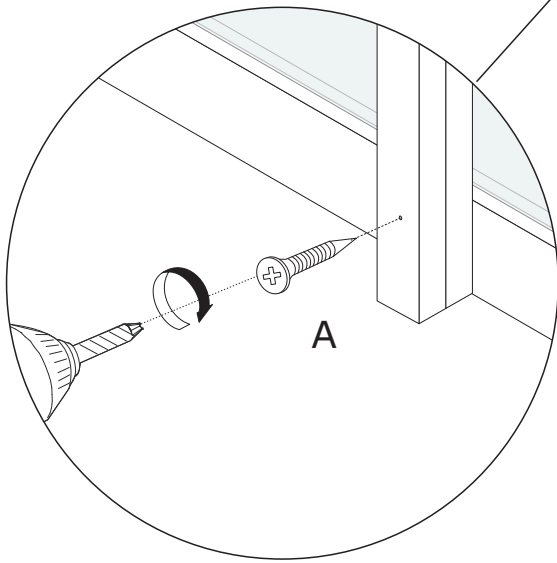
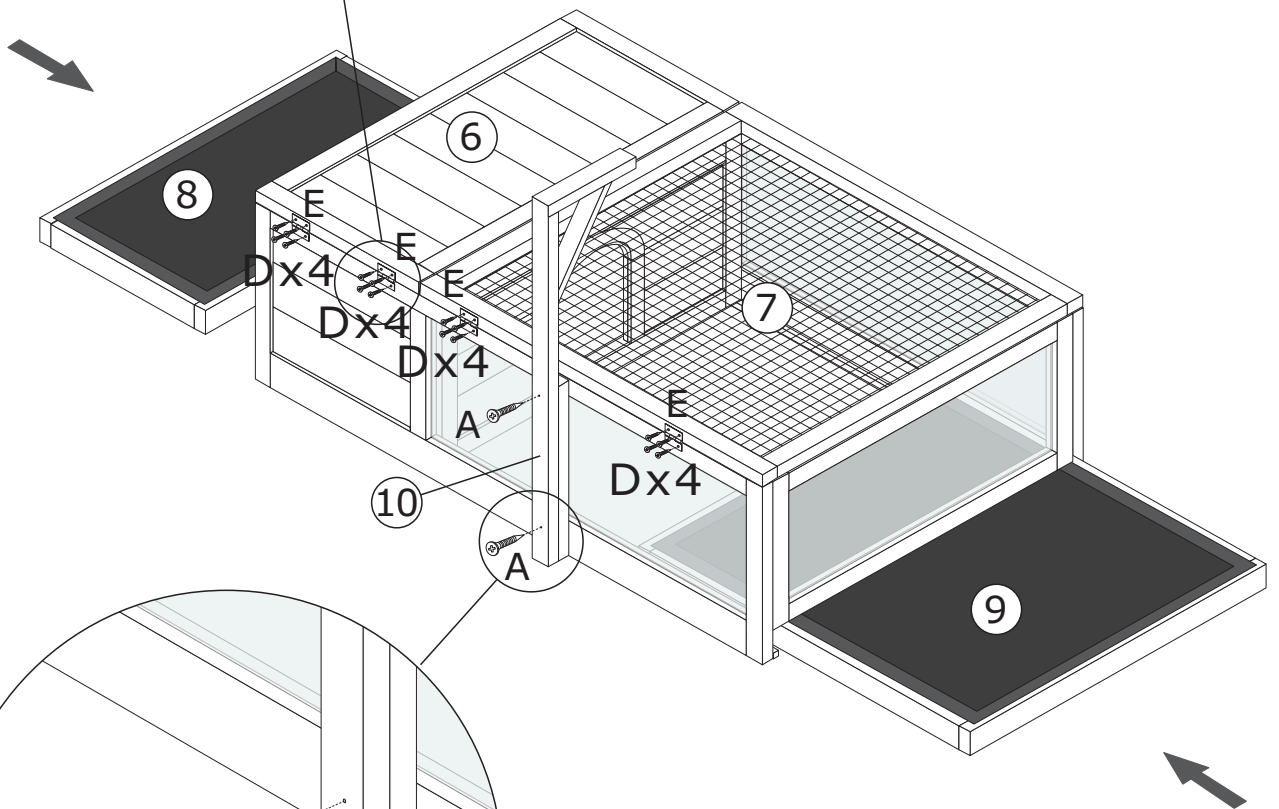
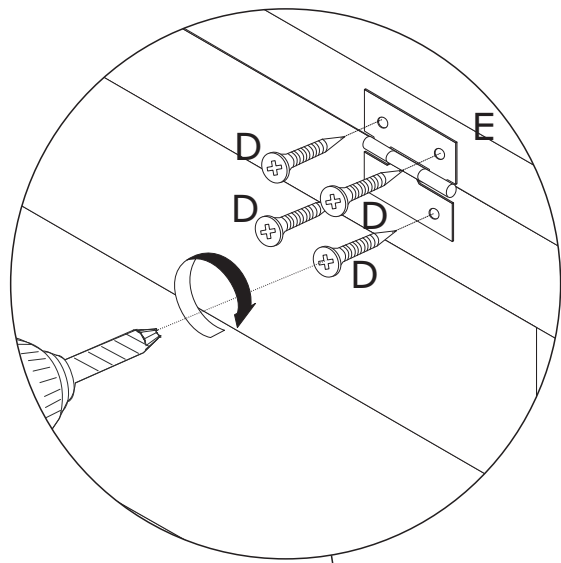
Ax2  M3.5x50mm	Dx16  M3x16mm	Ex4 	
---	--	--	--

Connect part 6 right roof with two part E hinges and eight part D screws.

Connect part 7 left cover with two part E hinges and eight part D screws.

Fix part 10 lamp frame support to the habitat with two part A screws.

Push into part 8 and part 9 drawers.



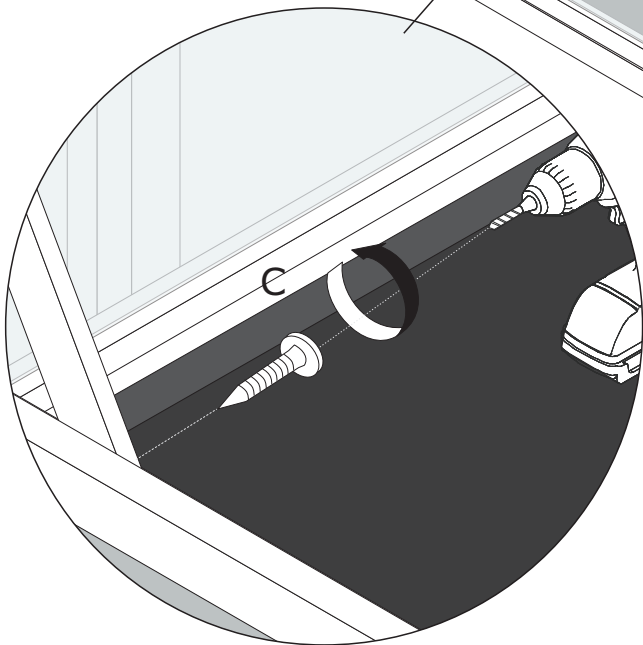
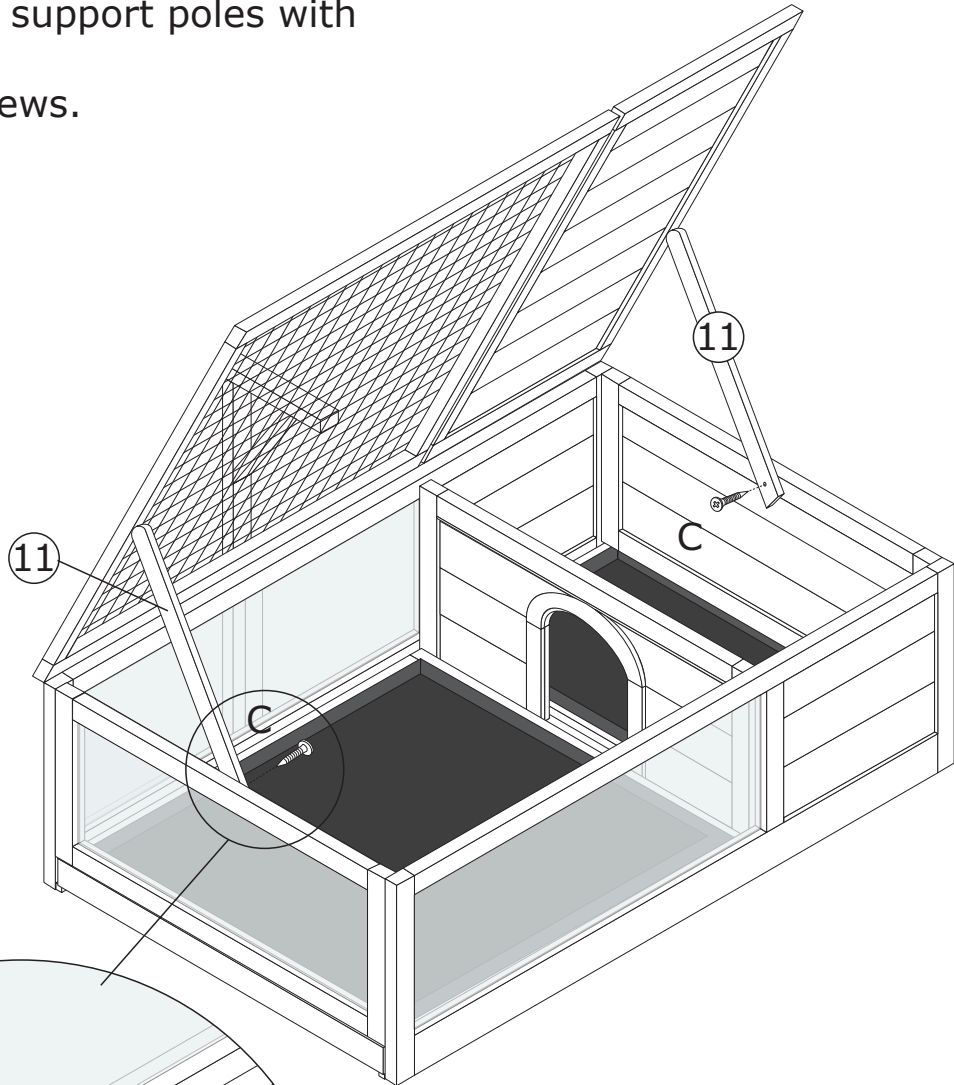
3

Cx2



M3x20mm

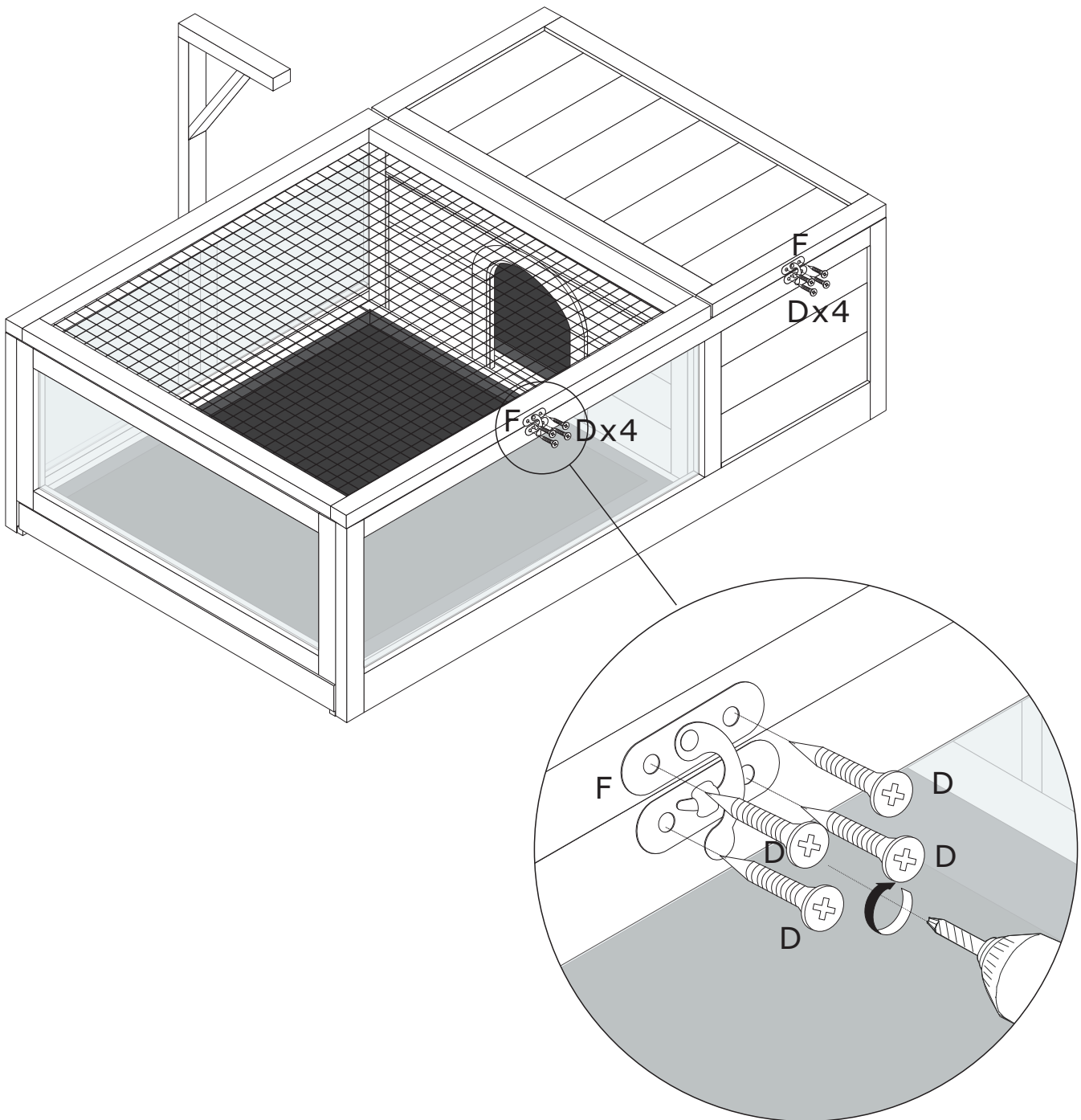
Fix two part D support poles with two part C screws.



4

Dx8  M3x16mm	Fx2 	
---	--	--

Install two part F lock catches with eight part D screws.

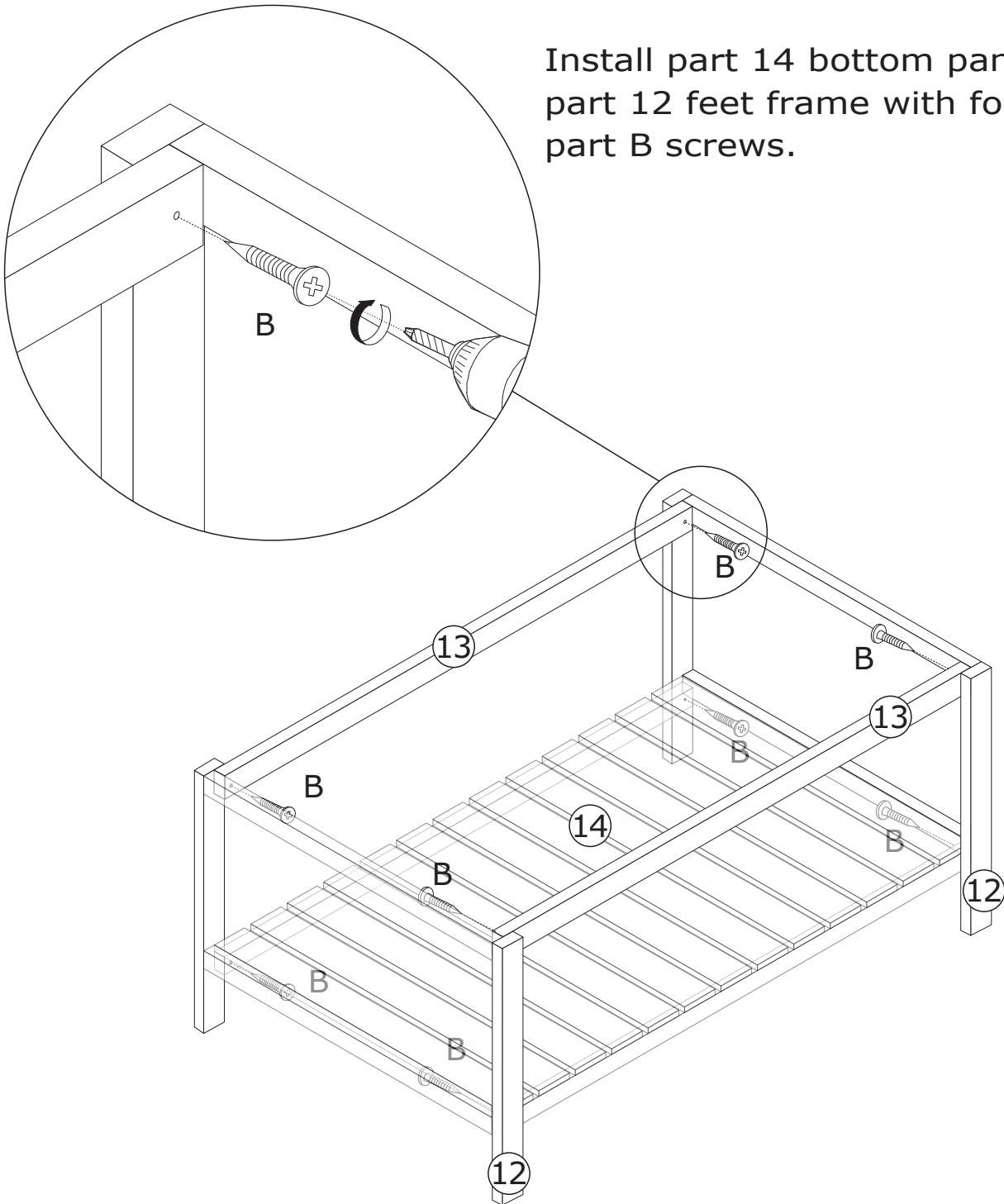


5

<p>Bx8</p>  <p>M3.5x30mm</p>	
---	--

Attach two part 13 to part 12 feet frame with four part B screws.

Install part 14 bottom panel to part 12 feet frame with four part B screws.



6

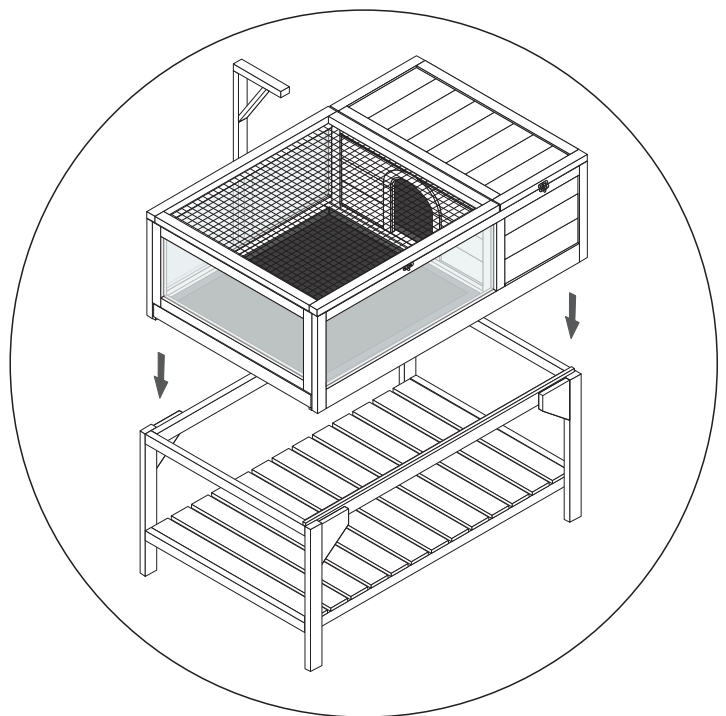
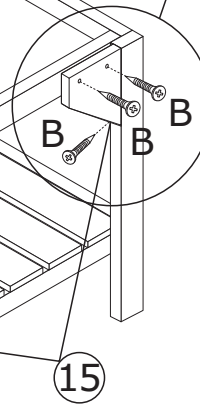
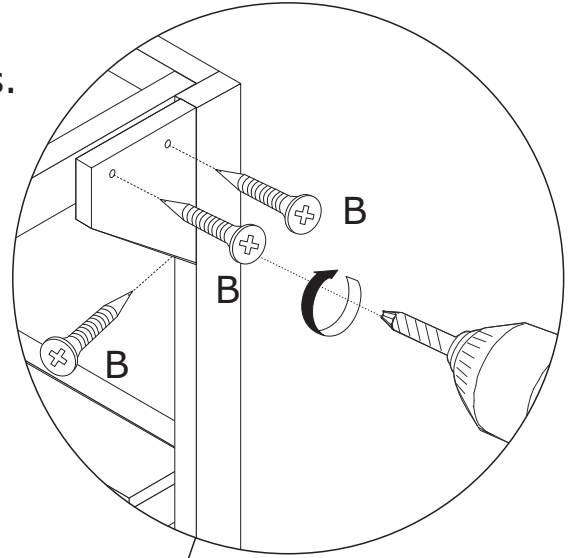
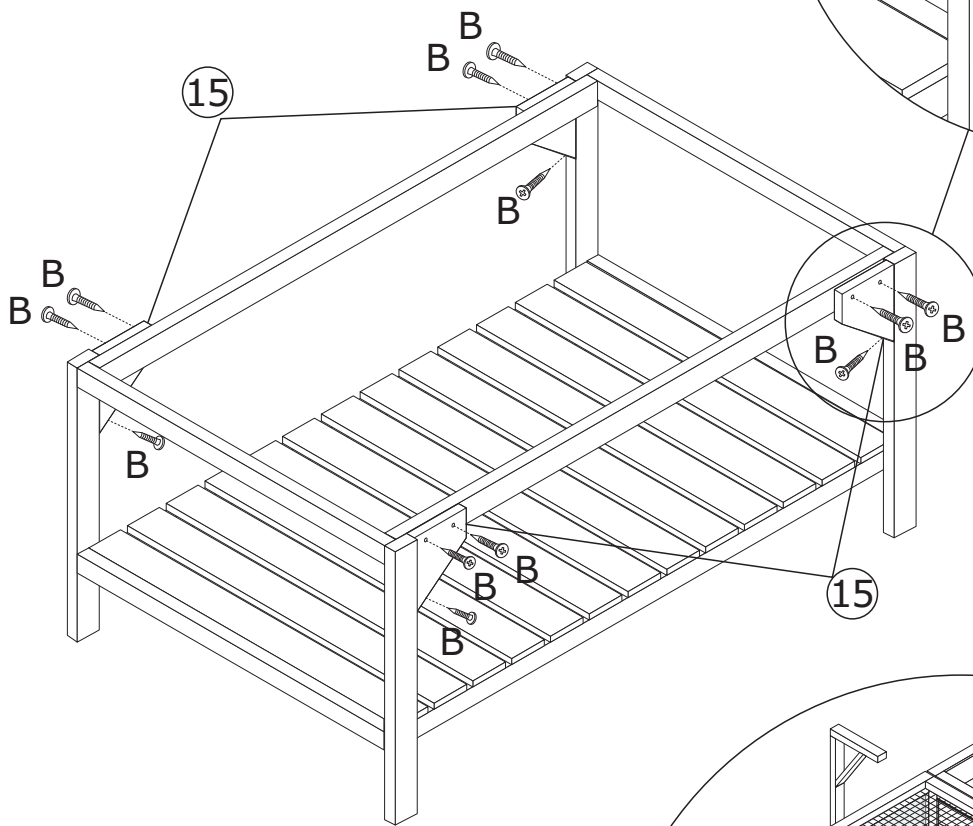
Bx12



M3.5x30mm

Fix four part 15 with twelve part B screws.

Place the assembled tortoise habitat above the shelf.



We will use the information provided on this card to contact you only if there is a safety alert or recall for this product.

We will not sell, rent, or share your personal information.

To register your product, please complete and mail the bottom part of this card, or email your contact information, the model name and number, and date of manufacture of the product, as provided on this card,

to:

Model Name:

Manufacture Date:

Model Number:

Name:

Mail address:

City:

Phone Number:

E-mail:

Zip Code: