

INSTRUCTION MANUAL

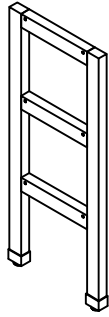
Garden Potting Table

⚠ NOTICE

Please retain these instructions for future reference.

- Do not stand on or use any part of this item as a step ladder.
 - Firmly secure all bolts, screws and knobs before use.
 - Reconfirm that all bolts, screws, and knobs are secure every 90 days.
 - Fasten screws loosely during initial assembly.
 - Do not use or store this item in the proximity of open flame or flammable/combustible chemicals.
 - Be aware that some parts are heavy and have sharp edges.
 - If any parts are missing, broken, damaged, or worn, stop using this product until repairs are made and/or factory replacement parts are installed.
 - Do not use this item in a way inconsistent with the manufacturer's instructions as this could void the product warranty.
 - Check all parts are present before you start to assemble the product. Place small parts on a tray or similar to ensure they are not lost.
- The manufacturing process can very occasionally result in sharp edges/waste material so please take care when assembling this product.

①



Side Frame
2PCS

②

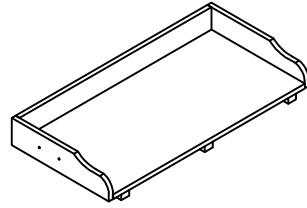
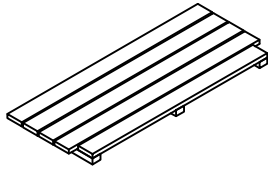


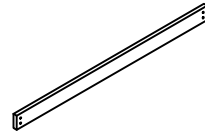
Table Top
1PC

③



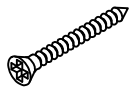
Shelve
2PCS

④



Long Slat
2PCS

Ⓐ



screw
3x12mm 2PCS

Ⓑ



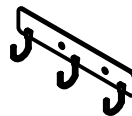
screw
4x30mm 8PCS

Ⓒ



bolt&nut
6x70mm 12PCS

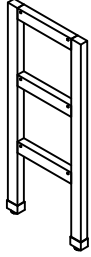
Ⓓ



hook
1PC

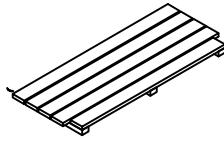
1

①



2PCS

③



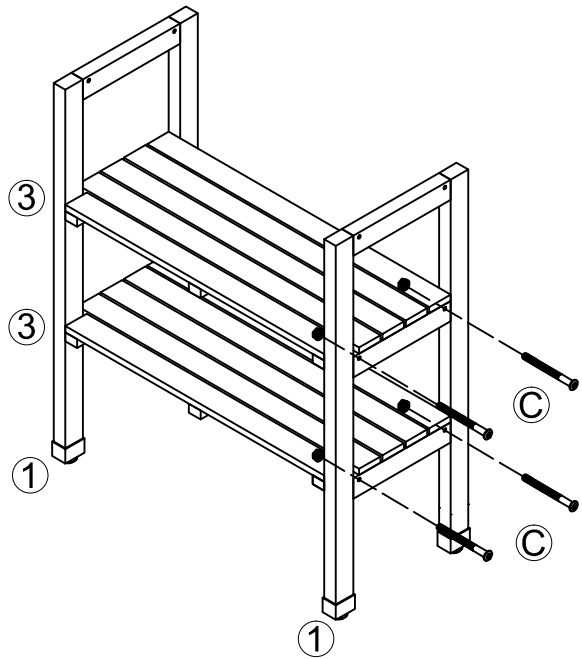
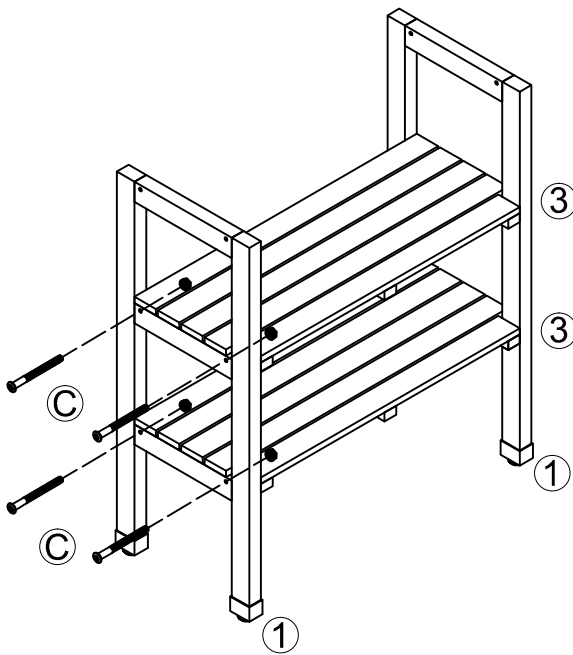
2PCS

Ⓒ



bolt&nut
6x70mm 8PCS

Assembly the side frame to the shelf using eight Ⓒ sets

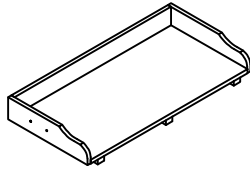


④

2

②

Ⓒ

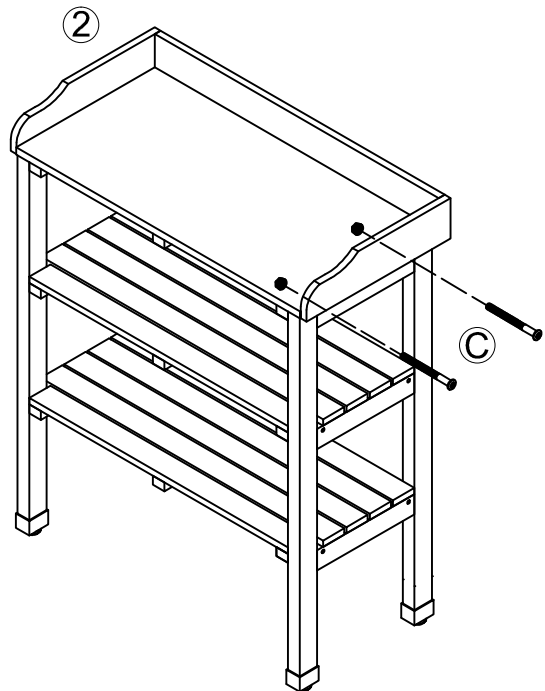
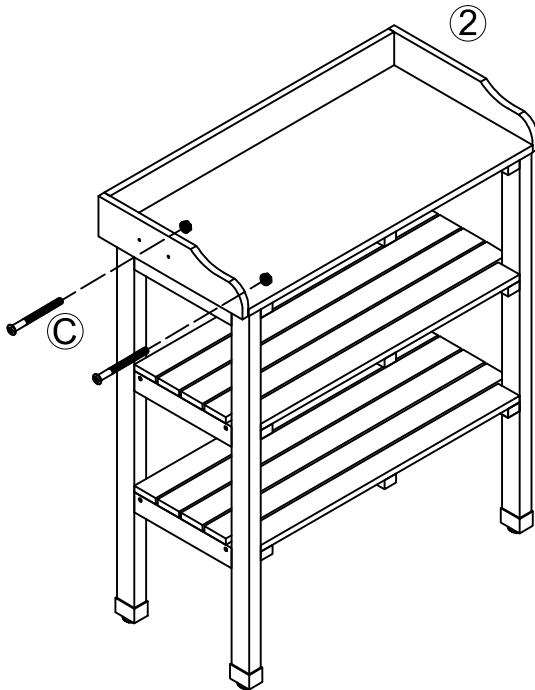


1PC



bolt&nut
6x70mm 4PCS

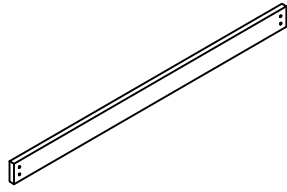
Assembly the table top to the main part using four Ⓒ sets



⑤

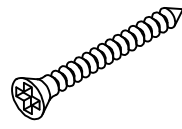
3

④

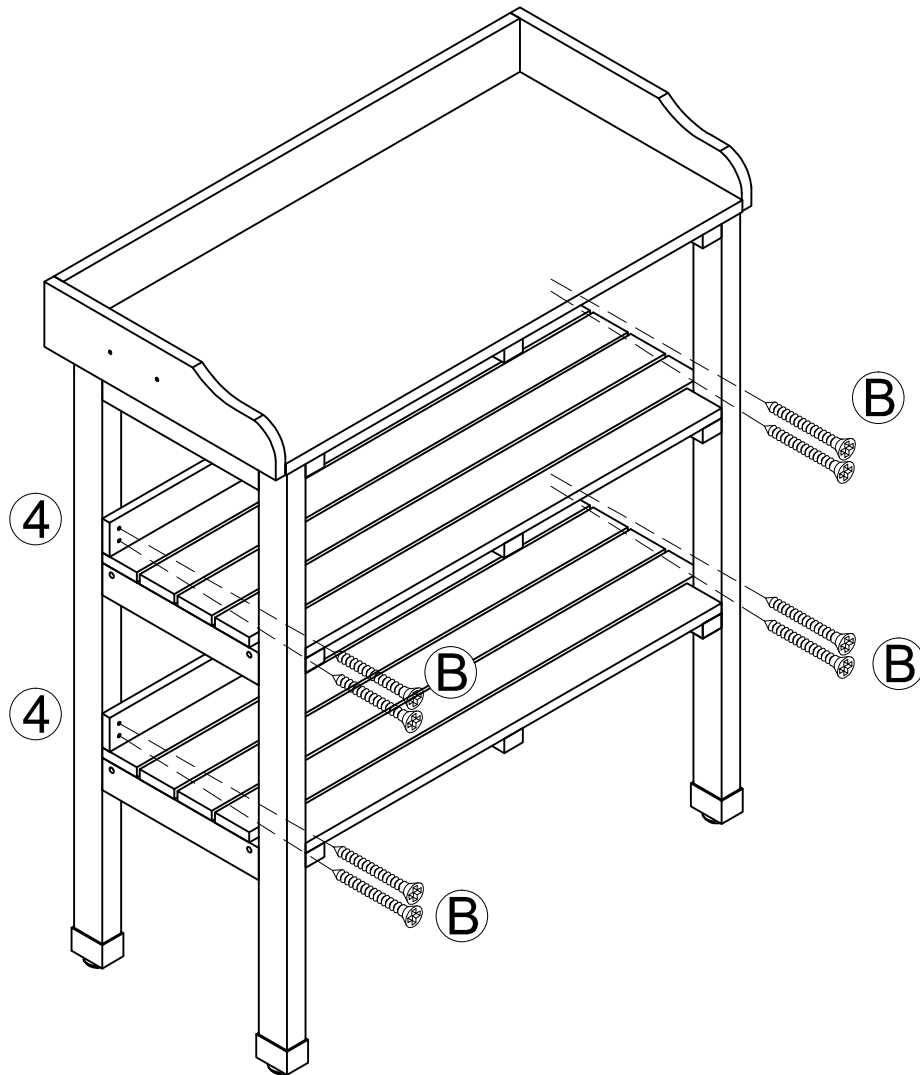


2PCS

Ⓑ



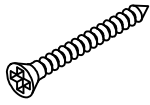
screw
4x30mm 8PCS



⑥

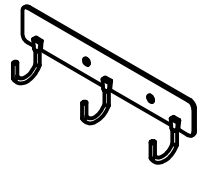
4

(A)



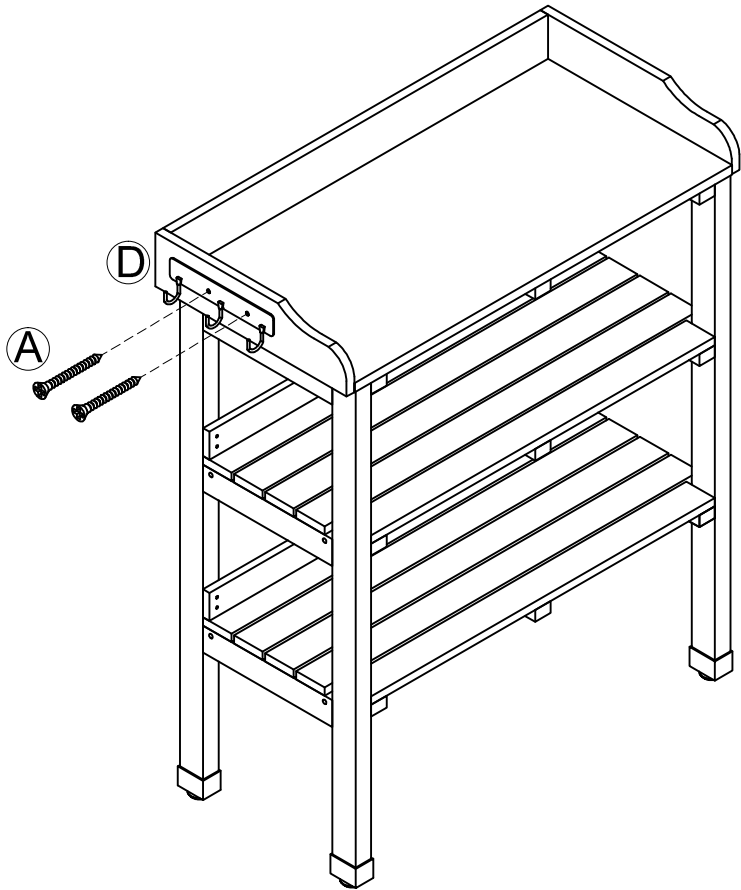
screw
3x12mm 2PCS

(D)



hook
1PC

Assembly the hook to the table top



(7)