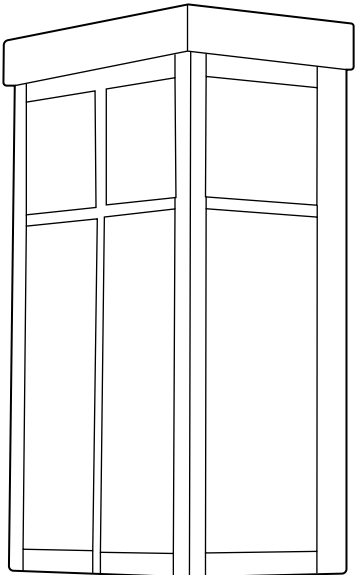


LED OUTDOOR WALL FIXTURE

Español p. 11

ATTACH YOUR RECEIPT HERE



800053

APPROVED FOR USE
IN WET LOCATIONS

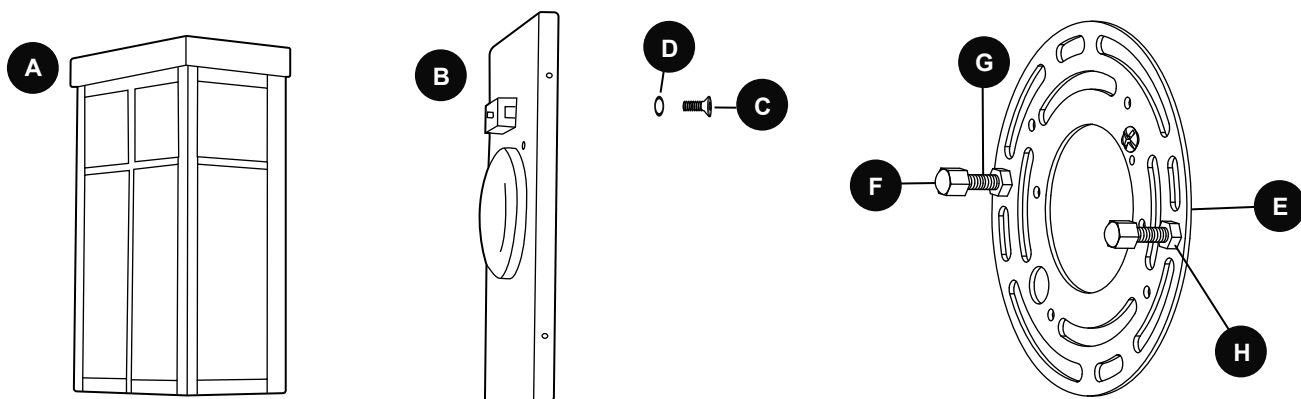
Purchase Date _____

Thank you for purchasing this product.
Questions, problems or missing parts?
Before returning, contact us on: **800-527-1292**, 8:30 a.m. - 5 p.m., CST,
Monday - Friday.

TABLE OF CONTENTS

Package Contents	2
Hardware Contents	3
Safety Information	3
Preparation	4
Assembly Instructions	5
Operating Instructions	9
Care and Maintenance	10
Troubleshooting	10
Warranty	10

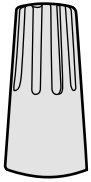
PACKAGE CONTENTS



PART	DESCRIPTION	QUANTITY
A	Fixture	1
B	Backplate (preassembled to fixture (A))	1
C	Backplate Screw (preassembled to fixture (A))	4
D	Plastic Washer (preassembled to backplate screw (C))	4
E	Mounting Plate (preassembled to backplate (B))	1
F	Decorative Nut (preassembled to fixture screw (G))	2
G	Fixture Screw (preassembled to mounting plate (E))	2
H	Nut (preassembled to fixture screw (G))	2

HARDWARE CONTENTS (shown actual size)

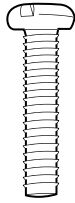
AA



Wire
Connector

Qty. 3

BB



Machine
Screw

Qty. 2



SAFETY INFORMATION

READ AND SAVE THESE INSTRUCTIONS.



DANGER

- TURN OFF ELECTRICITY at main fuse box (or circuit breaker box) before beginning installation by removing the fuse (or switching the circuit breaker off).
- For your protection and safety, carefully read and understand the information provided in this manual completely before attempting to assemble, install or operate this product. Failure to do so could lead to electrical shock, fire or other injuries that could be hazardous or even fatal.
- If using this light fixture in a WET location, this light fixture must be connected to a supply circuit that is protected by a Ground Fault Circuit Interrupter (GFCI) to reduce the risk of personal injury, electrical shock or death.
- DO NOT connect this fixture to an electrical system that does not provide a means for equipment grounding. Never use a fixture in a two-wire system that is not grounded. Installing a fixture into an electrical system not having a proper grounding means could cause metal parts of the fixture to carry electrical currents if any of the fixture wires, wire connections or splices were to become broken, cut or loose during the mounting or normal operation of the fixture. Under this condition, anyone coming in contact with the fixture would be subject to electrical shock, which could cause serious injury or death.
- DO NOT connect the bare or green insulation fixture ground wire to the black (HOT) current-carrying wire or the white (NEUTRAL) house wire. Connection of the bare or green fixture ground wire to the black or white house wires may cause metal parts of the fixture to carry electrical currents. Under this condition anyone coming in contact with the fixture will receive electrical shock, which could cause serious injury or death.
- DO NOT damage or cut the wire insulation (covering) during installation of fixture. DO NOT permit wires to contact any surface having a sharp edge. To do so may damage or cut the wire insulation, which could cause serious injury or death from electrical shock.

SAFETY INFORMATION

WARNING

- All electrical connections must be in agreement with local codes and ordinances, the National Electric Code (NEC) and ANSI/NFPA 70-1999. Contact your municipal building department to learn about your local codes, permits and/or inspections. Risk of fire – most dwellings built before 1985 have supply wire rated for 140 ° F. Consult a qualified electrician before installation.
- To avoid personal injury, the use of gloves may be necessary while handling fixture parts with sharp edges.
- DO NOT suspend any fixture by the house wires. A fixture must always be mounted directly to a mounting plate which is first attached to the outlet box. Wire connectors will not support the weight of a fixture. Suspending a fixture by the house wires and wire connectors will result in the fixture falling, with the possibility of personal injury and the danger of electrical shock or fire.
- To reduce the risk of fire, electrical shock, or personal injury, wire connectors provided with this light fixture are designed to accept only one 12-gauge house wire and two lead wires from the light fixture. If your house wire is larger than 12-gauge or there is more than one house wire to connect to the corresponding fixture lead wires, consult an electrician for the proper size wire connectors to use.
- To reduce the risk of damage to the fixture, DO NOT use power tools to assemble any part of the fixture.
- Failure to caulk fixture mounting surface with silicone weather sealant may result in water damage in outlet box, which may cause electrical malfunction or electrical shock.
- To avoid water damage to fixture or possible electrical malfunction, install fixture at least 4 ft. above the ground/floor.

CAUTION

- If you are not sure the lighting system has a grounding means, DO NOT attempt to install this fixture. Contact a qualified, licensed electrician for information regarding the proper grounding methods as required by the local electrical code in your area.
- All fixtures must be mounted to an outlet box that is supported by the building structure.
- Do NOT tamper with or attempt to repair LED component of fixture. The light source is designed for this specific application and should not be serviced by untrained personnel. If any servicing is required, call our customer service department.

PREPARATION

Before beginning assembly of product, make sure all parts are present. Compare parts with package contents list and hardware contents list. If any part is missing or damaged, do not attempt to assemble the product.

Estimated Assembly Time: 30 minutes

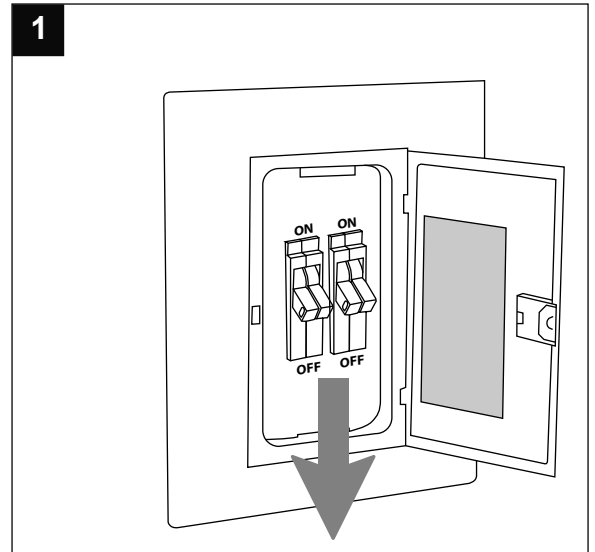
Tools Required for Assembly (not included): Flathead Screwdriver, Phillips Screwdriver, Wire Strippers, Pliers, Wire Cutters, Safety Glasses, Stepladder, Electrical Tape, Silicone Weather Sealant (and tool to apply sealant).

Helpful Tools (not included): A/C Tester Light, Do-It-Yourself Wiring Handbook, Soft Cloth, Level.

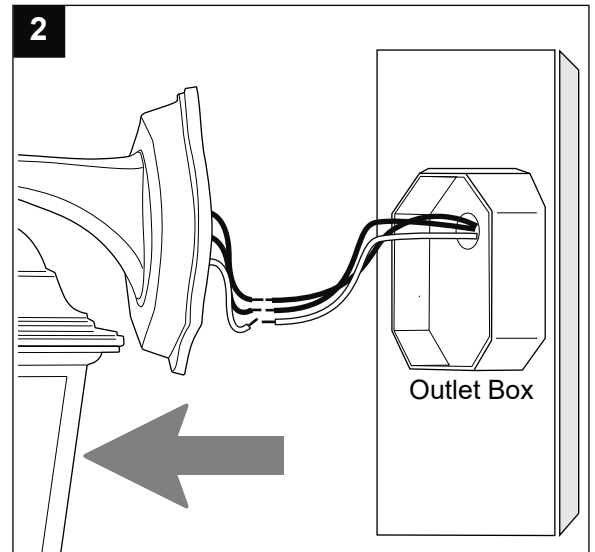
ASSEMBLY INSTRUCTIONS

1. Turn off circuit breakers and wall switch to the fixture supply line leads.

⚠ DANGER: Failure to disconnect power supply prior to installation may result in serious injury or death.

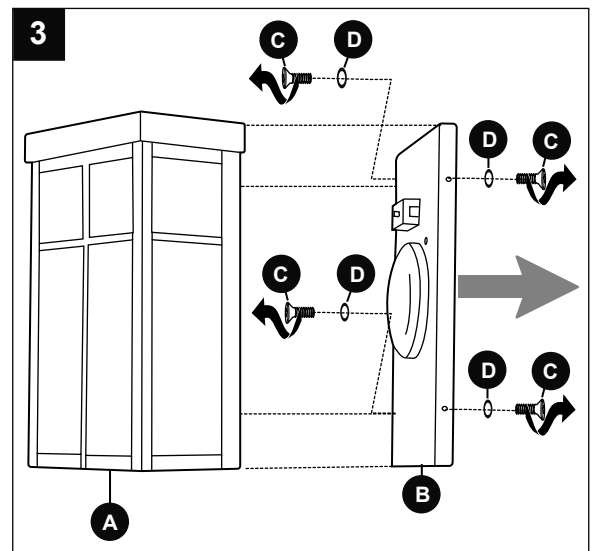


2. Remove existing fixture and disconnect all electrical wiring.



3. Remove backplate (B) from fixture (A) by removing backplate screws (C) and plastic washers (D) from edges of fixture (A).

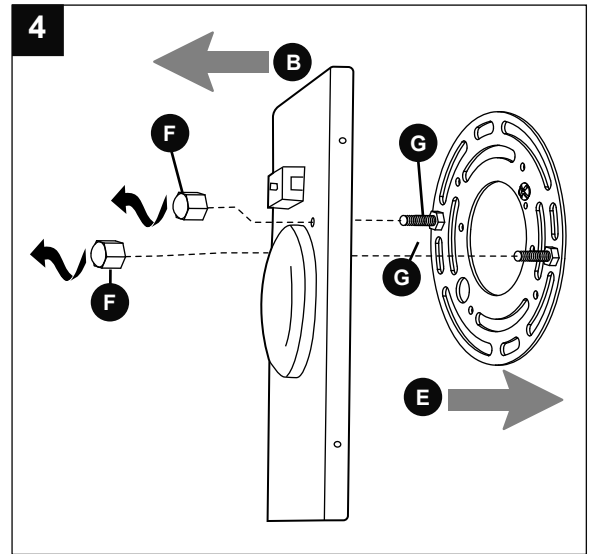
Save backplate screws (C) and plastic washers (D) for later use.



ASSEMBLY INSTRUCTIONS

- Unwrap BARE wire from BLACK and WHITE wires on backplate (B) Then, remove two decorative nuts (F) from fixture screws (G) on other side of backplate (B) and remove mounting plate (E) from backplate (B).

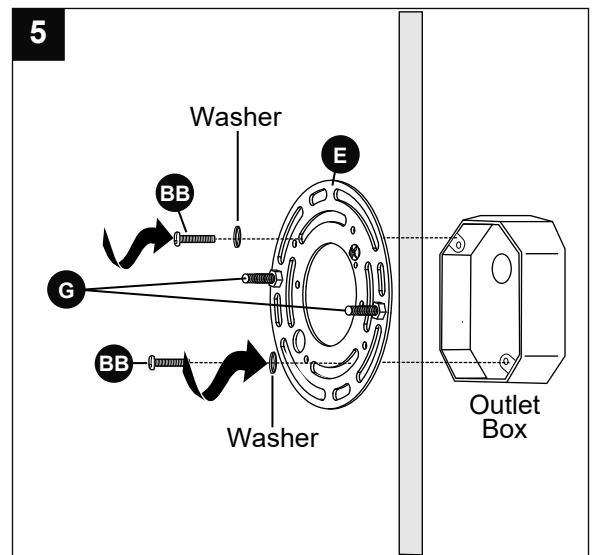
Save decorative nuts (F) for later use.




- Attach mounting plate (E) to outlet box (not included) using existing washers and outlet box screws or the machine screws (BB).
NOTE: If the outlet box screws required for your outlet box are of a different size than the machine screws (BB), consult a licensed electrician before proceeding.

Use a level (not included) to adjust fixture screws (G) parallel with floor and ceiling as needed. Once fixture screws (G) are adjusted, tighten machine screws (BB) completely to secure mounting plate (E) to outlet box.

⚠ CAUTION: The fixture must be mounted to an outlet box that is supported by the building structure and can support the weight of the fixture. Plastic outlet boxes are not recommended.



Hardware Used

BB Machine Screw  x 2

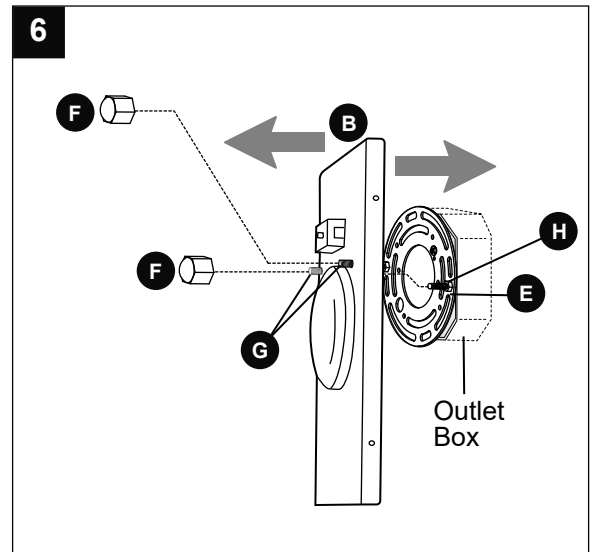
ASSEMBLY INSTRUCTIONS

6. Adjust fixture screws (G) to proper length by screwing them completely into mounting plate (E).

Temporarily place backplate (B) over mounting plate (E) to determine amount of adjustment necessary for fixture screws (G). **[NOTE: Fixture screws (G) should come through holes in backplate (B) just enough so decorative nuts (F) fit flush against backplate (B) when mounted.]**

Once fixture screws (G) are adjusted, tighten nuts (H) securely against mounting plate (E).

Set backplate (B) aside for later use.



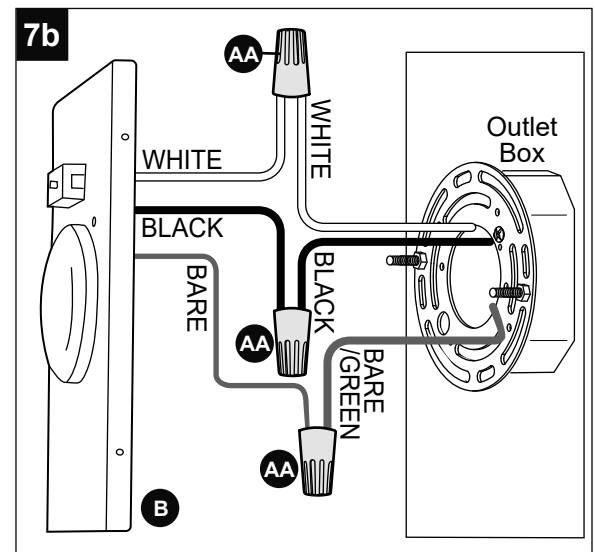
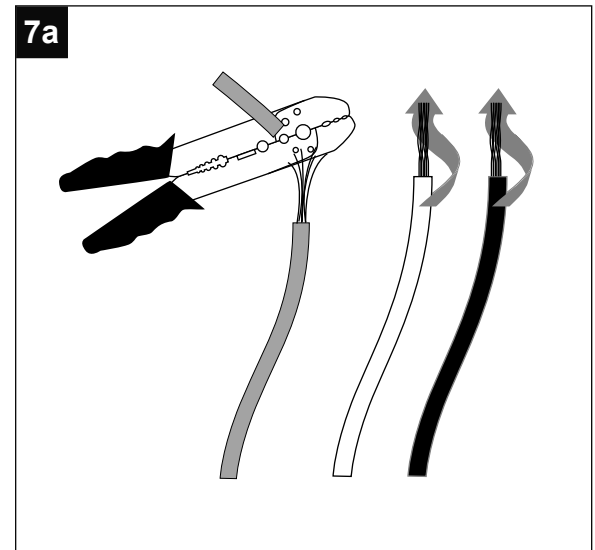
- 7a. Prepare wires by stripping 3/4 in. of insulation from wire ends using wire strippers (not included).

- 7b. Connect BARE/GREEN ground wire from outlet box to BARE ground wire from backplate (B) with wire connector (AA). Connect WHITE wire from backplate (B) to WHITE wire from outlet box using existing wire connector or wire connector (AA). Connect BLACK wire from backplate (B) to BLACK wire from outlet box using existing wire connector or wire connector (AA).


NOTE: Screw wire connectors (AA) on in a clockwise direction.

! WARNING: Never connect ground wire to WHITE or BLACK power supply wires.

! WARNING: To reduce the risk of fire, electrical shock or personal injury, wire connectors (AA) are designed to accept only one 12-gauge house wire and two lead wires from the light fixture. If your house wire is larger than 12-gauge or there is more than one house wire to connect to the corresponding fixture lead wires, consult an electrician for the proper size wire connectors to use.



Hardware Used

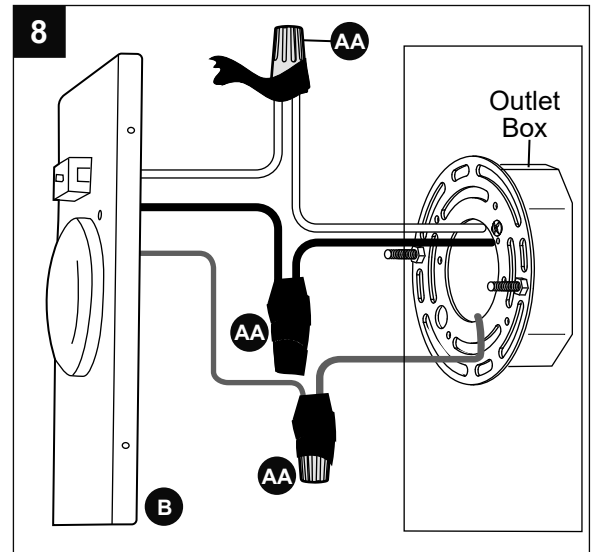
- AA** Wire Connector  x 3

ASSEMBLY INSTRUCTIONS

8. Wrap electrical tape (not included) around each individual wire connector (AA) down to the wire.

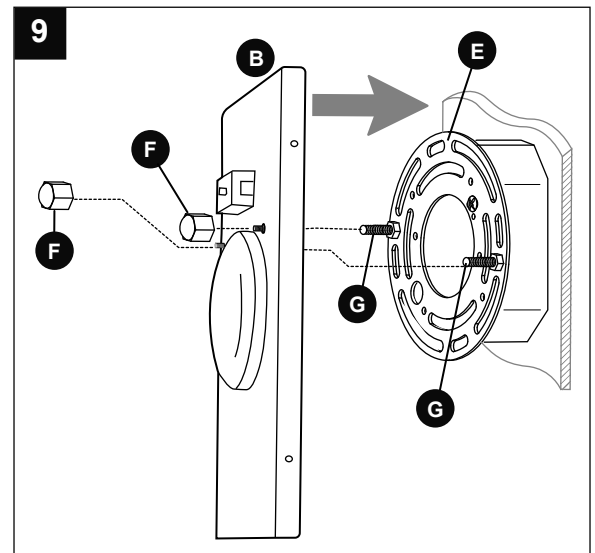
⚠ WARNING: Make sure no bare wire or wire strands are visible after making connections.

Push wire connectors (AA) gently back into outlet box. Carefully push excess wiring into outlet box.

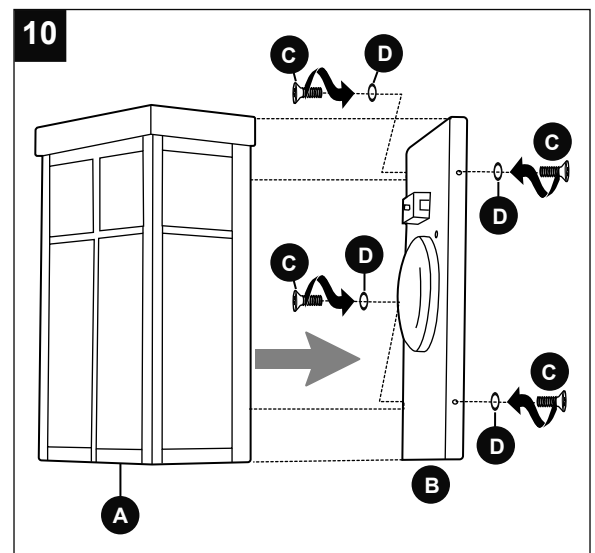


9. Align holes in backplate (B) with fixture screws (G) on mounting plate (E) and push backplate (B) toward wall. Attach backplate (B) to mounting plate (E) using the decorative nuts (F) previously removed (Step 4, page 6).

NOTE: Before tightening decorative nuts (F) completely, use level to check backplate (B) -- adjust if necessary.



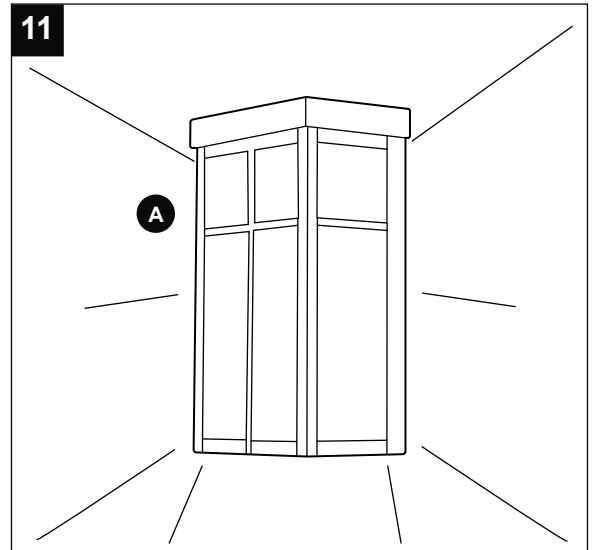
10. Attach fixture (A) to backplate (B) using the backplate screws (C) and plastic washers (D) previously removed (Step 3, Page 5).



ASSEMBLY INSTRUCTIONS

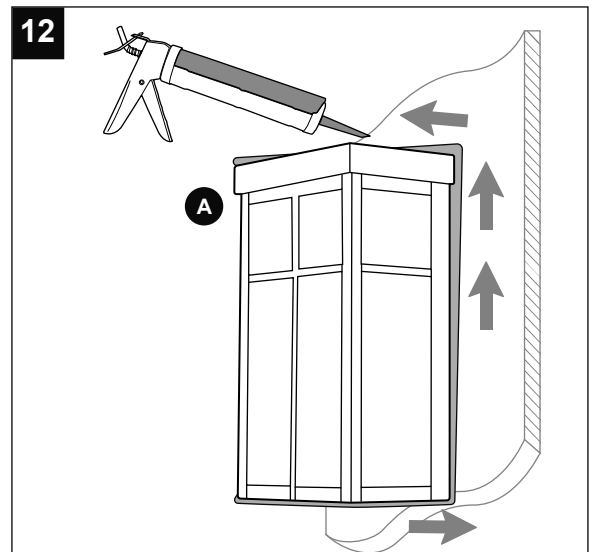
11. Restore power and test fixture (A).

If light does not function, please refer to TROUBLESHOOTING on the next page.



12. After completing installation, caulk mounting surface of fixture (A) with silicone weather sealant (not included).

⚠ WARNING: Failure to caulk fixture mounting surface with silicone weather sealant may result in water damage in outlet box, which may cause electrical malfunction or electrical shock.

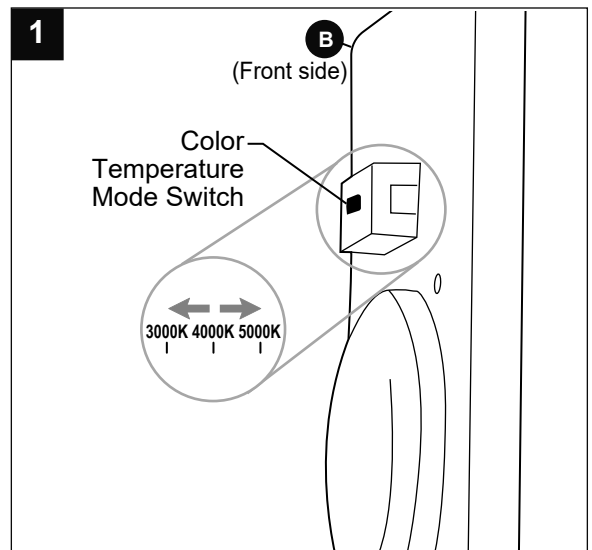


OPERATING INSTRUCTIONS

1. Choose color temperature mode with switch on the front side of the backplate (B), accessible from the INSIDE of the fixture (A).

The color temperatures mode switch is labeled from left to right with the numbers noted below. [The color temperature equivalent has been provided for each number.]

- 3000K - Warm
- 4000K - Neutral
- 5000K - Cool



CARE AND MAINTENANCE

- Shut off main power supply. Wipe fixture with soft, damp cloth. Do not use an abrasive cleaner on shade or fixture.
- Total wattage for this fixture is 17 watts; do not attempt to replace the LEDs.

TROUBLESHOOTING

⚠ WARNING: Before beginning work, shut off the power supply to avoid electrical shock.

PROBLEM	POSSIBLE CAUSE	CORRECTIVE ACTION
Light does not come on initially or no longer comes on.	<ol style="list-style-type: none">1. Power is OFF.2. Faulty connection.3. LED component is not working properly.	<ol style="list-style-type: none">1. Make sure power supply is ON.2. Check wiring and all connections.3. Contact Customer Service.
Fuse blows out or circuit breaker trips.	<ol style="list-style-type: none">1. Crossed wires.2. Power wire is grounding out.	<ol style="list-style-type: none">1. Check wiring.2. Check all connections.

WARRANTY

The distributor warrants all of its lighting fixtures against defects in materials and workmanship for five (5) years from the date of purchase. If within this period the product is found to be defective, take a copy of the bill of sale as a proof of purchase and the product in its original carton to the place of purchase. The distributor will, at its option, repair, replace or refund the purchase price to the consumer. All costs of installation and removal of the fixture is the responsibility of the consumer. This warranty does not cover fixtures becoming defective due to misuse, accidental damage or improper handling and/or installation and specifically excludes liability for direct, incidental or consequential damages, improper packaging of returned products and acts of God. As some states do not allow exclusions of limitations on an implied warranty, the above exclusion and limitation may not apply. This warranty gives you specific rights and you may also have other rights which may vary from state to state.