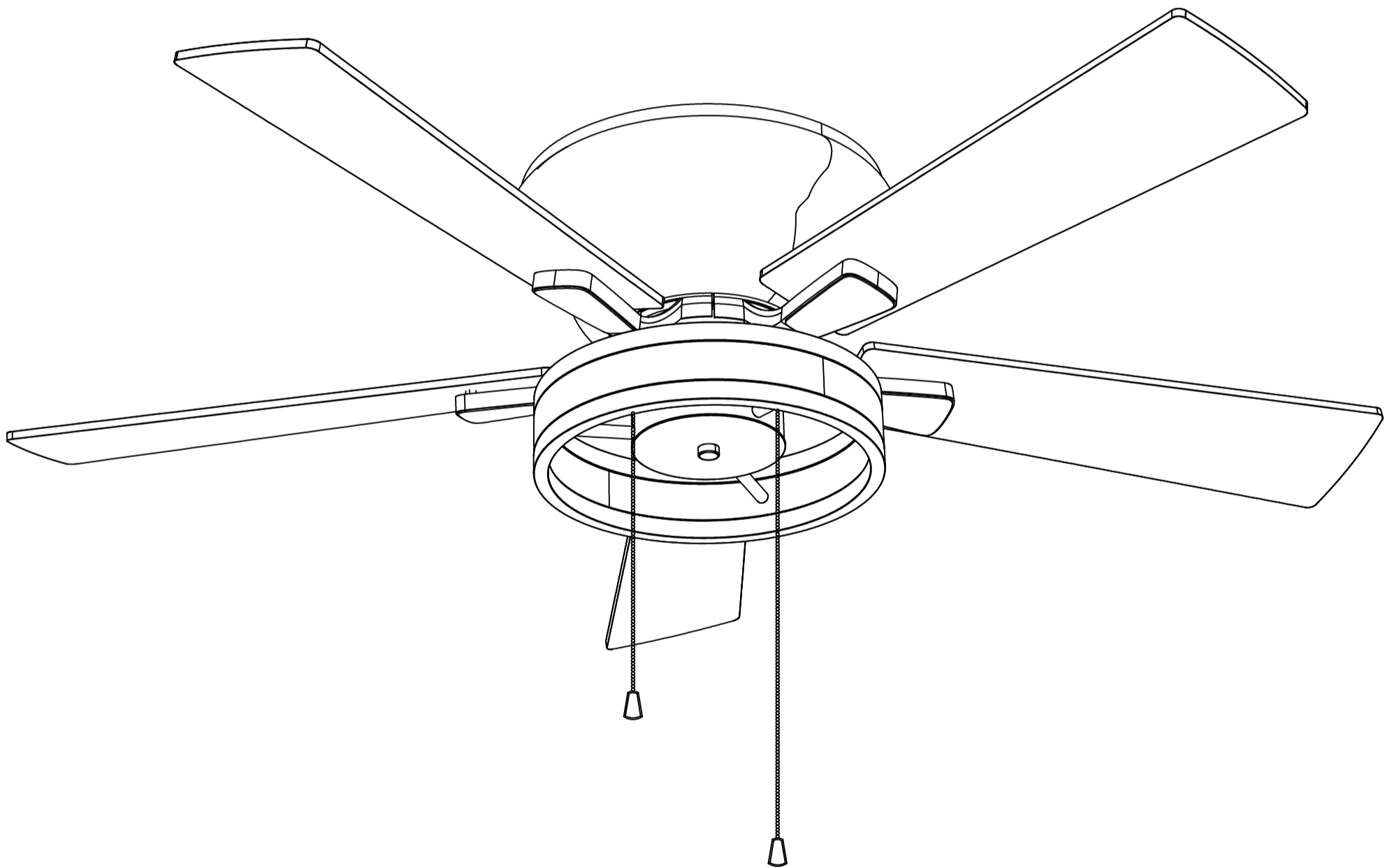


INSTALLATION & USER MANUAL

52 INCH CEILING FAN WITH LIGHT



Customer Service: support@breezary.com

Table of Contents

Table of Contents.....	2	Exploded View.....	4
Safety Information.....	2	Installation Instructions.....	5
Dimension Reference.....	3	Troubleshooting Guide.....	11
Hardware Included.....	3	Balancing Kit	12
Fan Parts Included.....	3		

Table of Contents

READ AND SAVE THESE INSTRUCTIONS.

1. To reduce the risk of electric shock, ensure electricity has been turned off at the circuit breaker or fuse box before you begin.
2. All wiring must be in accordance with the National Electrical Code “ANSI/NFPA 70” and local electrical codes. Electrical installation should be performed by a qualified licensed electrician.
3. The outlet box and support structure must be securely mounted and capable of reliably supporting a minimum of 35 lbs (15.9 kg). Use only UL Listed outlet boxes marked “Acceptable for Fan Support of 35 lbs. (15.9 kg) or less.”
4. Do not place objects in the path of the blades.
5. To clean the fixture, turn off the power, wait for it to cool, and wipe the fixture with a clean, soft cloth.
6. After making electrical connections, spliced conductors should be turned upward and pushed carefully up into the outlet box. The wires should be spread apart with the grounded conductor and the equipment grounding conductor on one side of the outlet box and ungrounded conductor on the other side of the outlet box.
7. All setscrews must be checked and retightened where necessary before installation.



WARNING: To reduce the risk of electrical shock or fire, not use this fan with any solid-state fan speed control device. It will permanently damage the electronic circuitry.



WARNING: To reduce the risk of personal injury, do not bend the blade brackets when installing the rackets balancing the blades, or cleaning the fan. Do not insert



WARNING: To reduce the risk of fire, electric shock or personal injury, mount to outlet box marked “acceptable for fan support of 35 lbs. (15.9 Kg) or less” and use screws provided with the outlet box.



WARNING: To avoid possible electrical shock, turn the electricity off at the main fuse box before wiring.



WARNING: To reduce the risk of electrical shock, this must be installed with an isolating wall control / switch.



CAUTION: To reduce the risk of personal injury, use only the screws provided with the outlet box.



CAUTION: Please use carefully when working around or cleaning the fan to avoid injury or damage of fan.

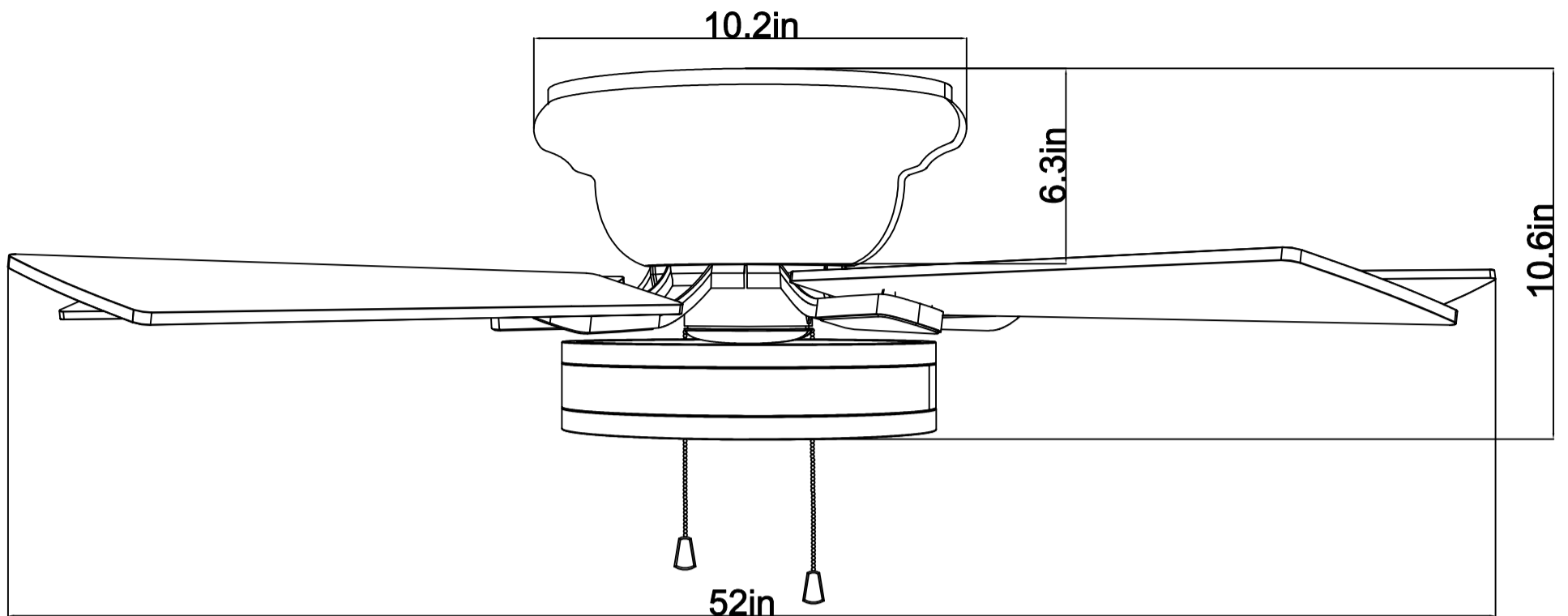


CAUTION: The fan must be mounted with a minimum of 7 ft (2.1 m) clearance from the trailing edge of the blades to the floor.


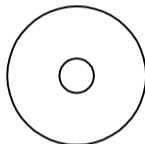



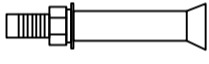
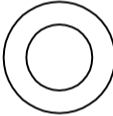
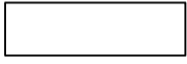

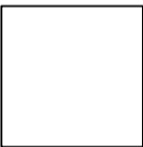



CAUTION: Changes or modifications not expressly approved by the party responsible for compliance could void the user's authority to operate the equipment.


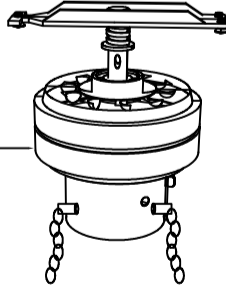
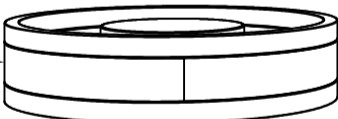

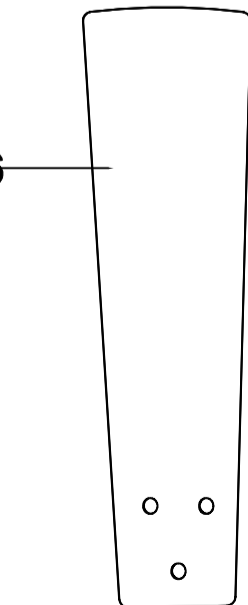
Dimension Reference



Hardware Included

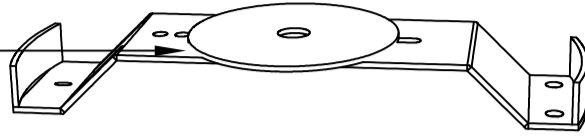
	S1		S6		Hardware Package	Quantity
	S2		S7	S11	S1. Wire Connectors	5
	S3		S8		S2. Wood Screw	4
	S4		S9		S3. Expansion screws	2
	S5		S10		S4. Sponge pad	3
					S5. Balanced patch	1
					S6. Spring washer	2
					S7. Inch thread	2
					S8. Blade gasket	16
					S9. Fan blade screw	16
					S10. plastic clip	1
					S11. Pull rope	2

Fan Parts Included

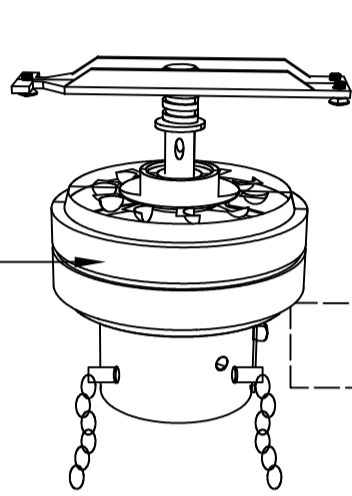
			Name	Quantity
1	2	3	1. Hanger bracket	1
			2. electric machinery	1
4	5		3. Motor housing	1
			4. Blade arm	1
			5. Lamp body assembly	1
			6. Fan blade	5

Exploded View

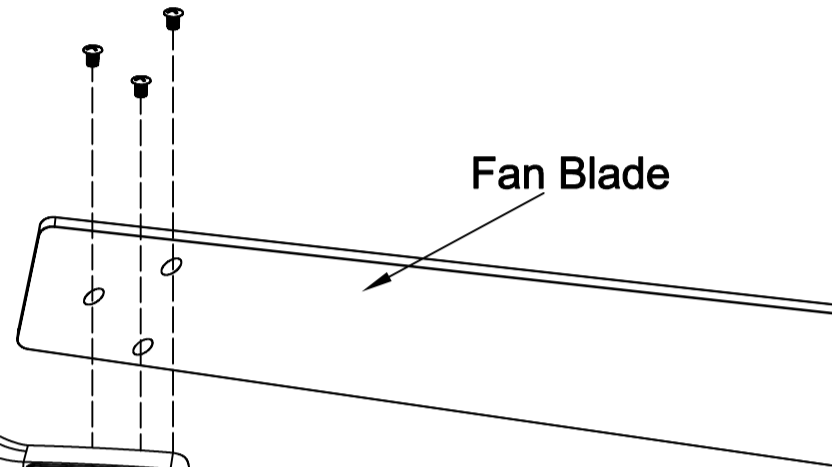
Hanger Bracket



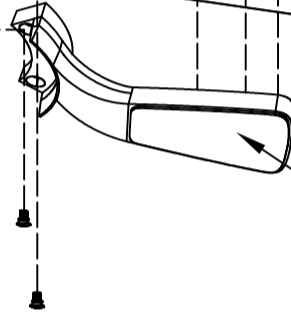
Motor Assembly



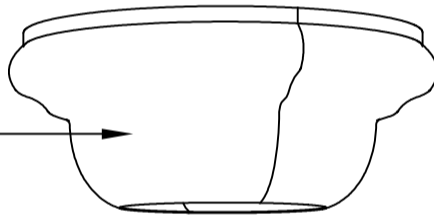
Fan Blade



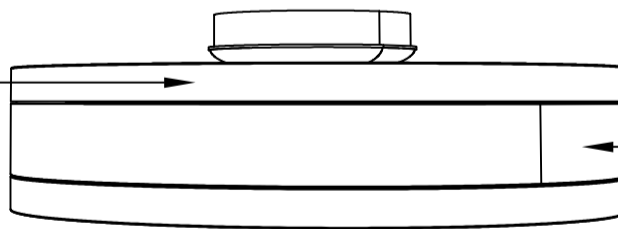
Blade Bracket



Motor Housing



Acrylic



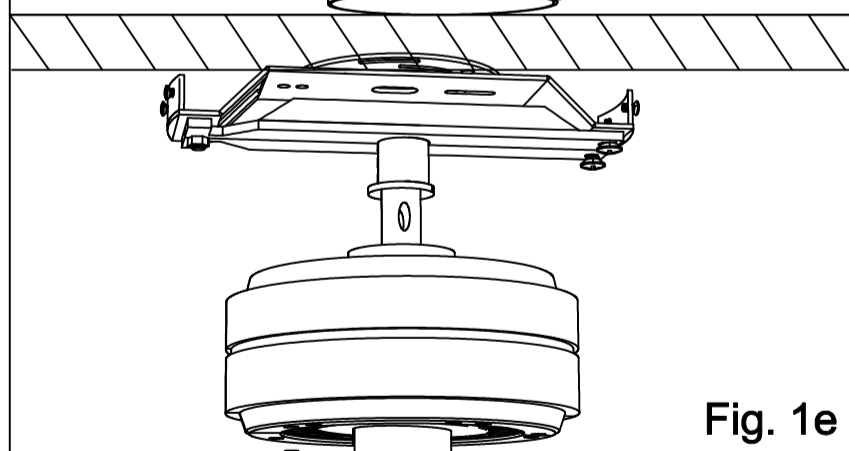
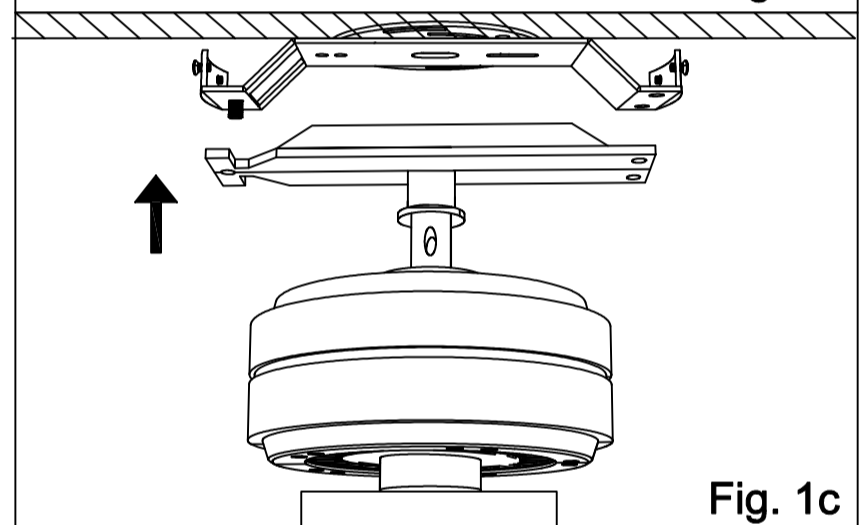
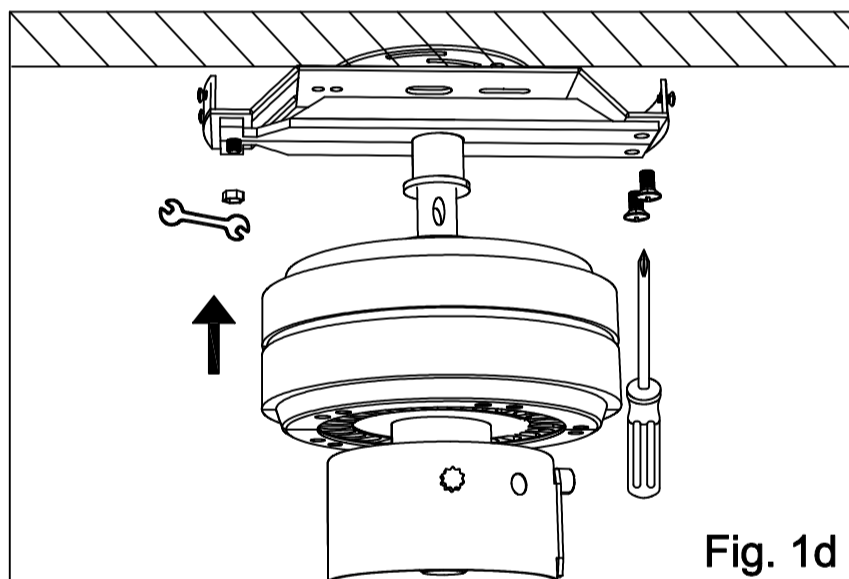
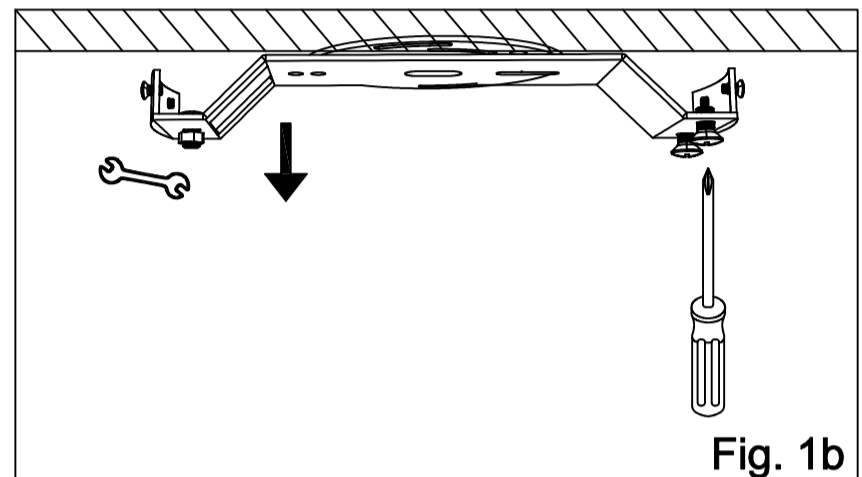
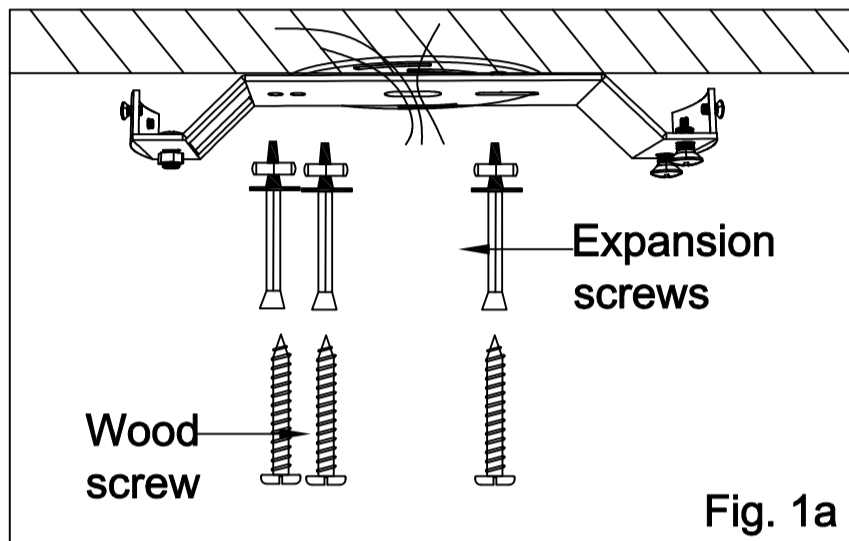
Aluminum ring



Light belt
LED

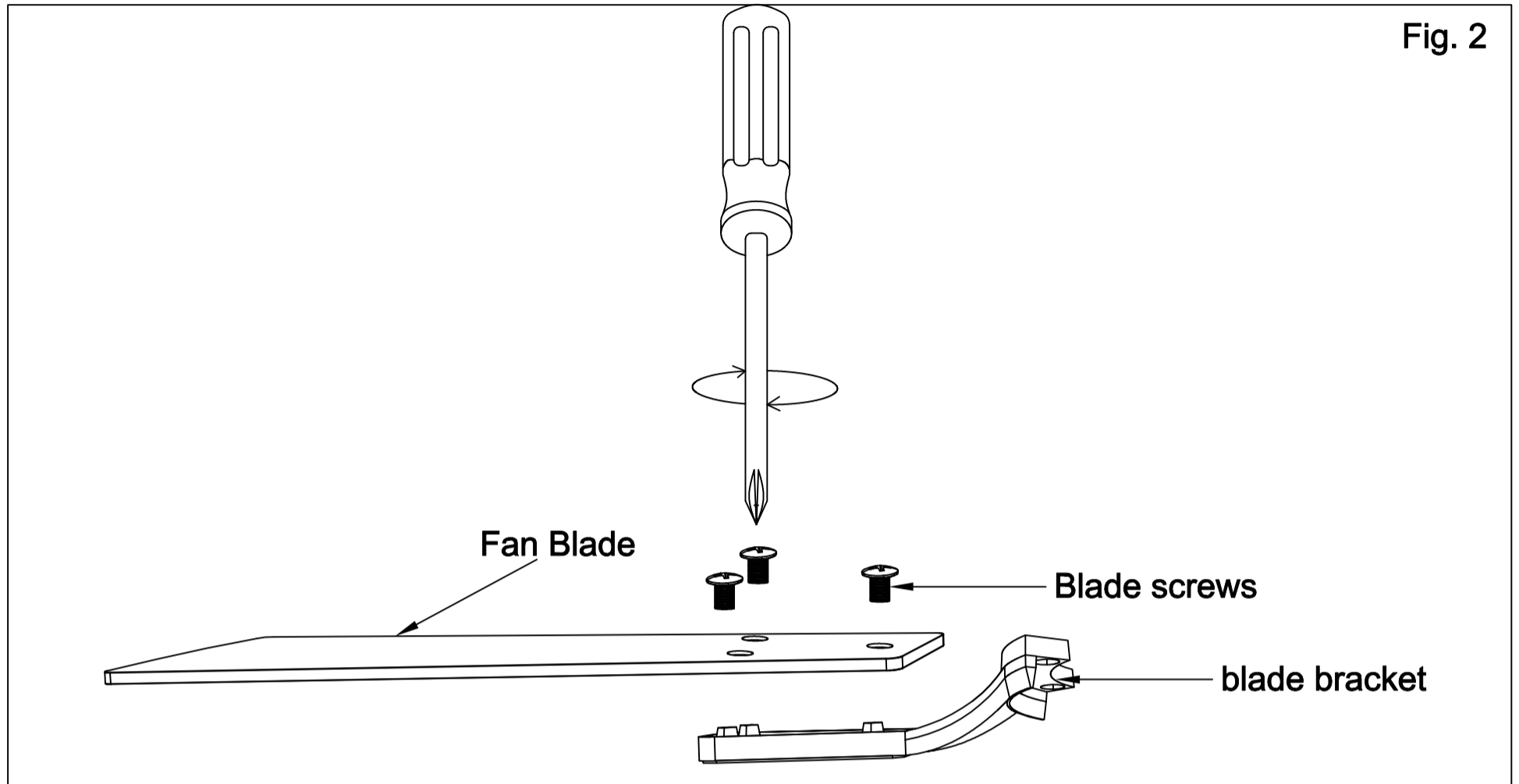
Installation Instructions

- Select the installation location and remove the hanger from the packaging. ceiling is made of concrete, and expansion screws are used to fix the hanger. The ceiling is made of wood, and the hanger is fixed with wooden screws.
- Remove the nut and screw from the hanger, take out the motor head inside the packaging, align it with the screw hole and place it on top.
- Lock the nuts and screws taken out in Fig. 1e in their original positions, ensuring that the motor head is firmly attached to the hanger.

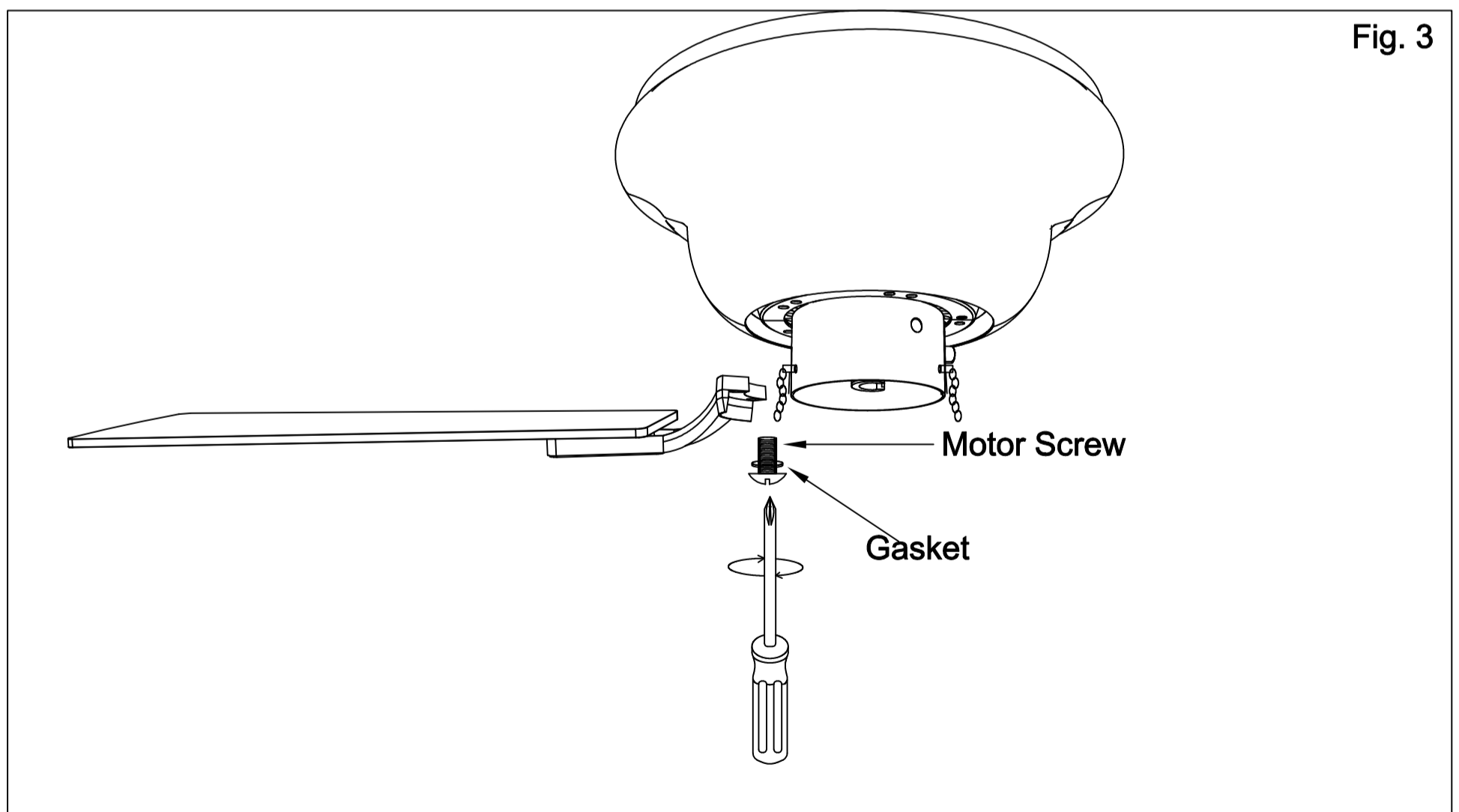


Installation Instructions

- Take out the fan leaf and the night fork. Fix the fan blade and fork with the fan blade screws of the spare parts kit.

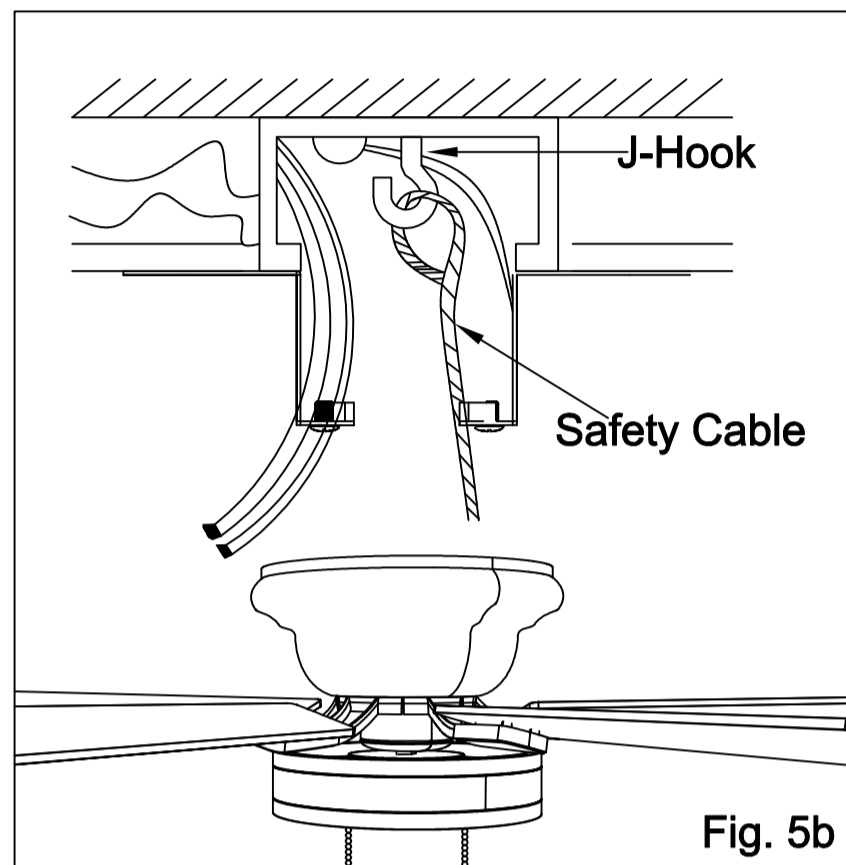
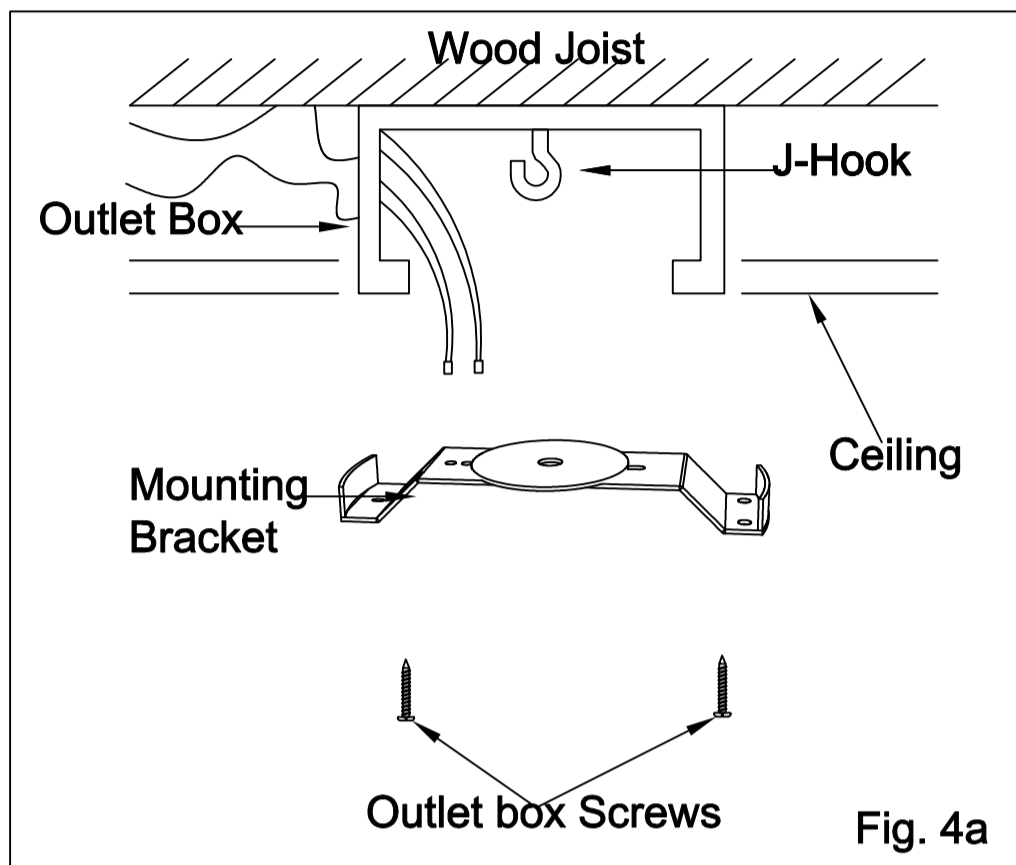


- Take out the screws on the motor. Lock the fan on the motor.



Installation Instructions

- Install J-Hook through centre of outlet box and into the wooden joist.
- Secure mounting bracket and rubber gaskets to metal outlet box.
- Hang the safety cable onto the J-hook.

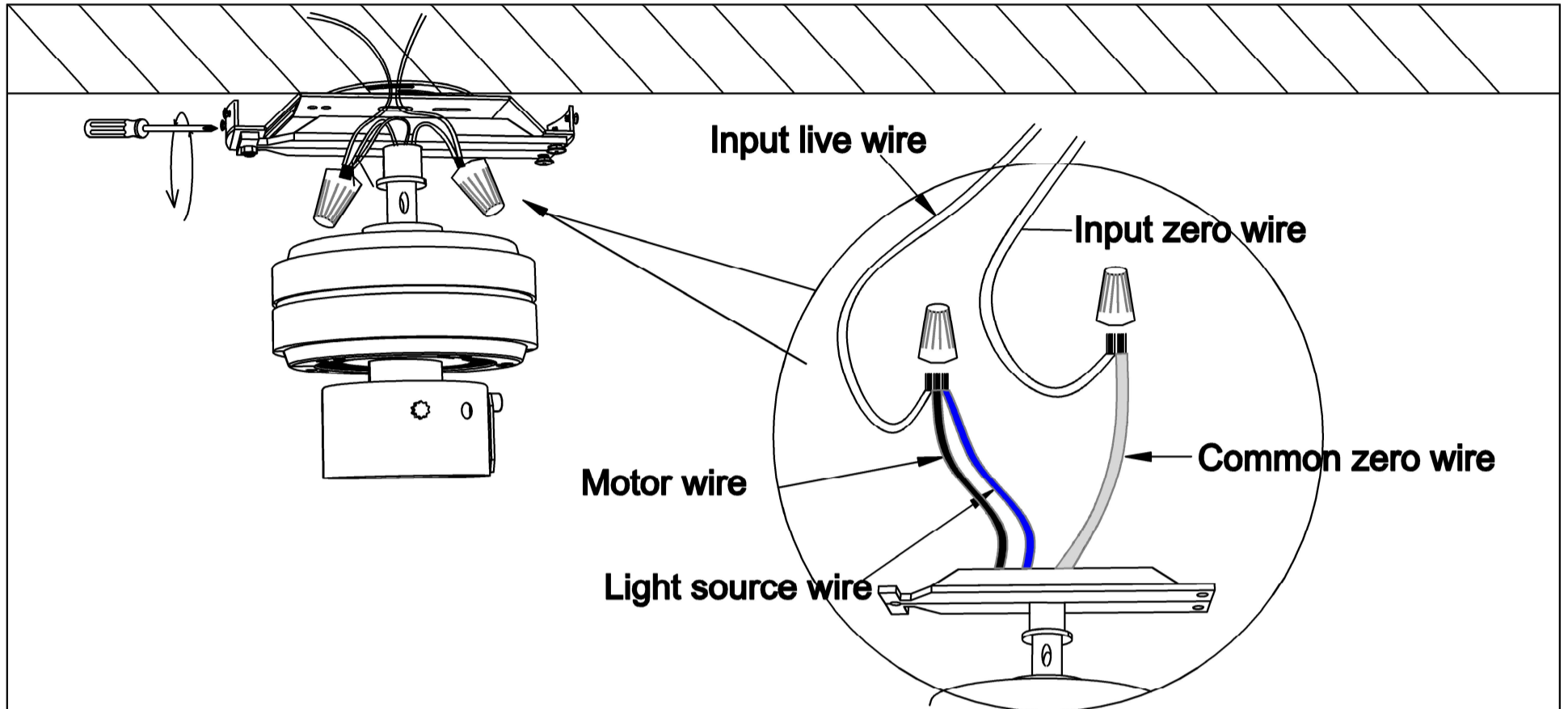


A. Make the following wire connections to the receiver unit using the wire nuts supplied.

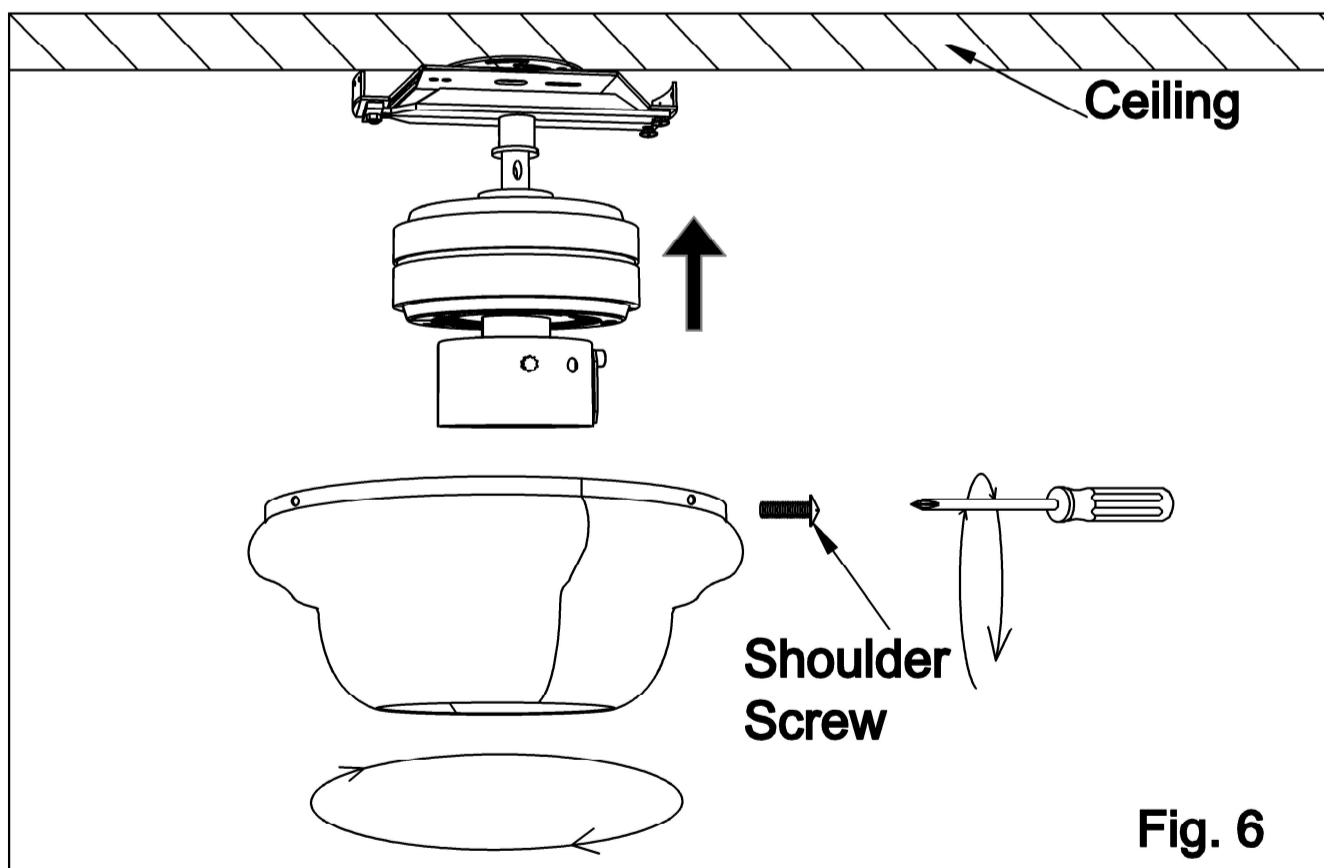
- Connect GREEN fan wire to BARE (ground) wire.
- Connect BLACK receiver unit wire to BLACK supply wire.
- Connect WHITE receiver unit wire to WHITE supply wire.
- After making the wire connections, ensure the wires should be spread apart with the grounded conductor and the equipment-grounding conductor on one side of the outlet box and the ungrounded conductor on the other side of the outlet box.
- Ensure the splices after being made should be turned upward and pushed carefully up into the outlet box.
- Connect the 4-Wire female and male plug.
- Connect the 2-Wire female and male plug.

Installation Instructions

- Connect the black and blue wires to the input live wire. Connect the income zero line to the white line (the white line is the common zero line of the fan). Complete the wiring and remove the two diagonally opposite screws.

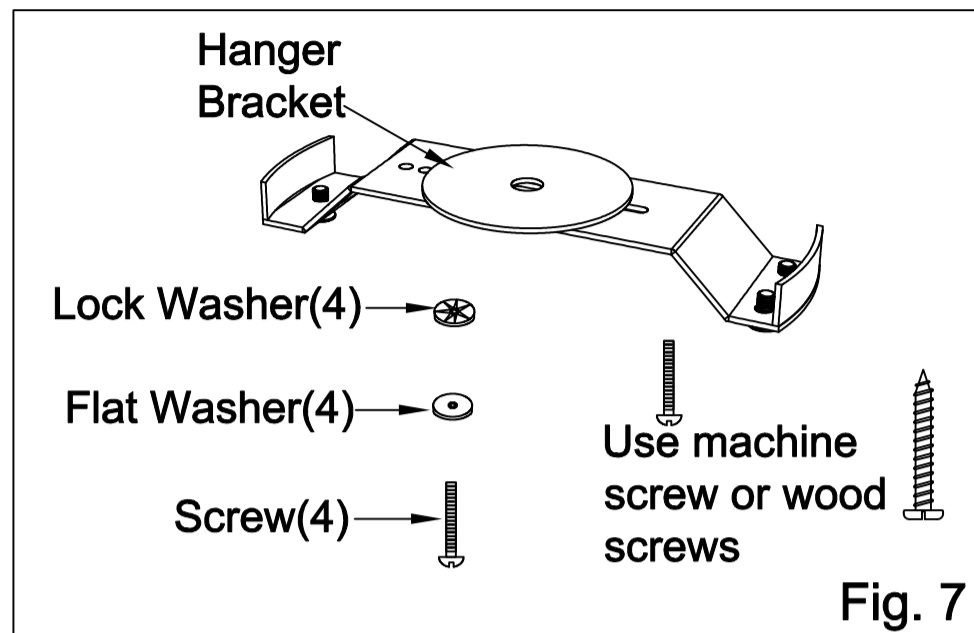


- Assemble canopy by rotating key slot in canopy over shoulder screw in hanger bracket, taking care not to pinch the wires. Tighten shoulder screw. Fully assemble and tighten second shoulder screw that was previously removed.



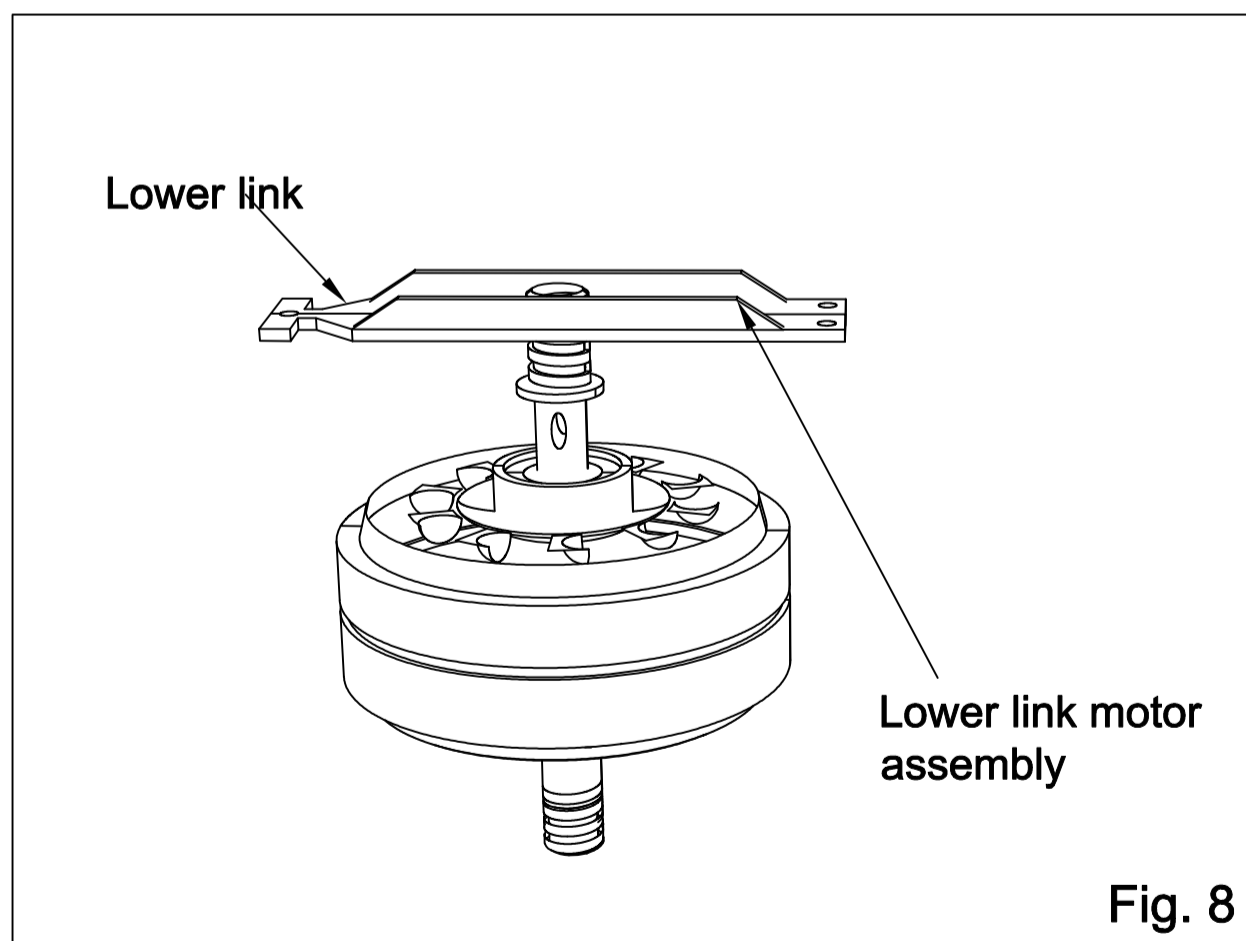
Installation Instructions

- Securely attach the hanger bracket to the outlet box using the outlet box screws and washers supplied with the outlet box.



WARNING: The outlet box must be securely anchored. Hanger bracket must seat firmly against outlet box. If the outlet box is recessed, remove wall board until bracket contacts box. If bracket and/or outlet box are not securely attached, the fan could wobble or fall.

- Carefully lift the fan and fix the lower link/hanger ball assembly on the hanger bracket just connected to the outlet box. Make sure that the screw holes of the lower link and the hanger are aligned.
- This fan is only available for standard and tilt mounting options. The close mount and flush mount options are not available. For sloping ceilings, note that the angle cannot exceed 16 °

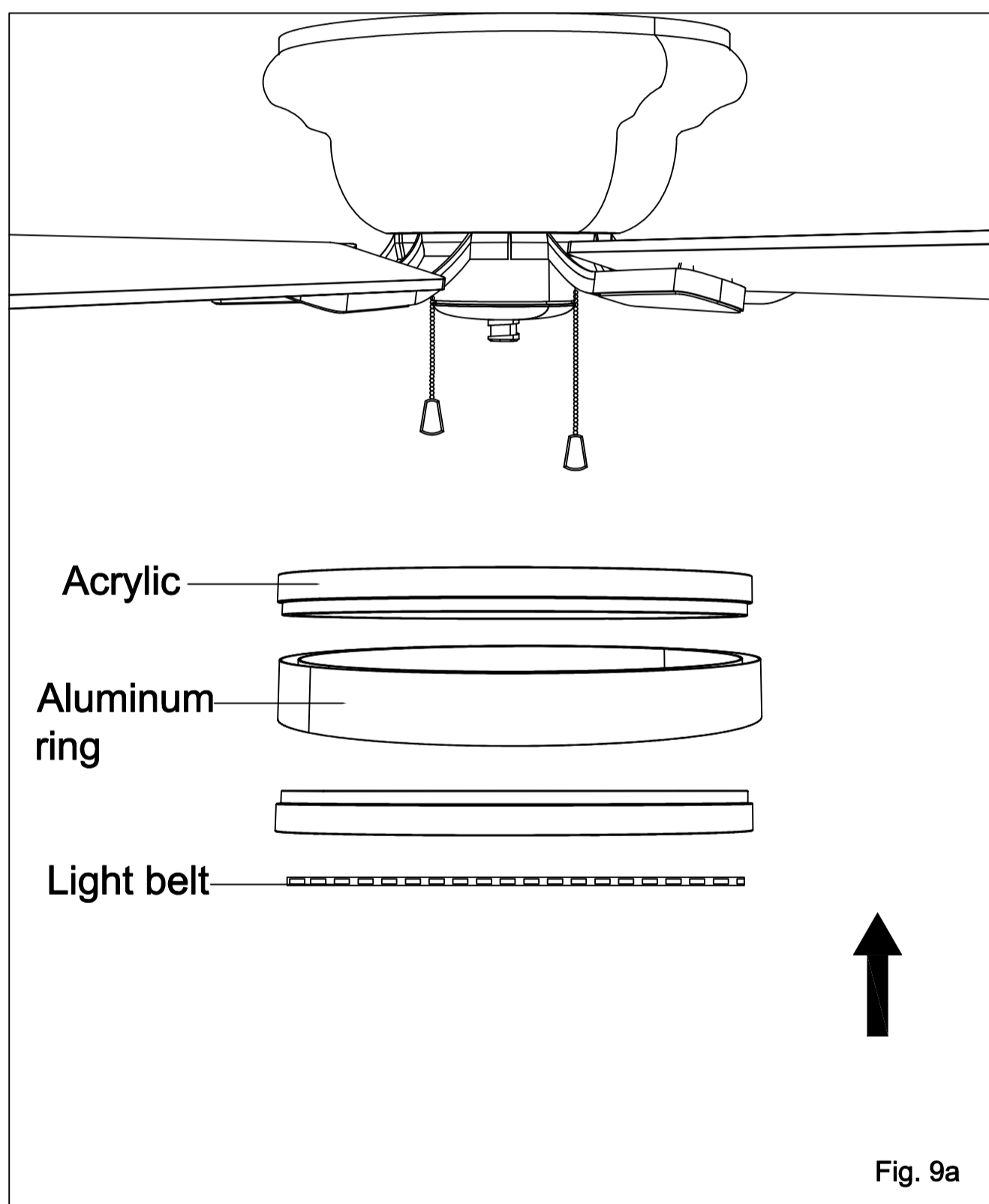


Warning: To avoid possible impact, do not clamp the wire between the suspension link motor and the hanger bracket. 6 °

Installation Instructions

WARNING: BE SURE TO TURN OFF POWER BEFORE INSTALLING

- Connect the corresponding wires at the bottom of the lamp and the motor.
- Tighten the three screws on the edge of the switch cover.
- Take out the decorative nuts, nuts, iron washers and plastic washers pre-locked on the lamp tube.
- Install glass, tighten plastic washer, iron washer and nut in turn.
- Install the decorative frame and fasten the decorative nut.



WARNING: Check all connections, set screws and screws are securely tightened before the next step.

Troubleshooting Guide

If you have difficulty operating your new ceiling fan it may be the result of incorrect assembly, installation, or wiring. In some cases these installation errors may be mistaken for defects. If you experience any faults please check this troubleshooting guide.

	Problem	Suggested Remedy
1	If fan does not start.	<ul style="list-style-type: none"> <input type="checkbox"/> Check the main and branch circuit fuses or breakers. <input type="checkbox"/> Check the line wire connections to the fan and switch wire connections in the switch housing. <input type="checkbox"/> Check the battery in the remote control. Ensure you are in the normal range of 10-20 feet.
2	If fan sounds noisy.	<ul style="list-style-type: none"> <input type="checkbox"/> Ensure all motor housing screws are snug. <input type="checkbox"/> Ensure the screws that attach the fan blade bracket to the motor hub are tight. <input type="checkbox"/> Ensure the wire nut connections are not rattling against each other or the interior wall of the switch housing. <input type="checkbox"/> Allow a 24-hour "breaking in" period. Most noises associated with a new fan disappear during this time. <input type="checkbox"/> If you are using the Ceiling Fan light kit, ensure the screws securing the glassware are tight. Check that the light bulbs are also secure. <input type="checkbox"/> Ensure the canopy is a short distance from the ceiling. It should not touch the ceiling. <input type="checkbox"/> Ensure your outlet box is secure and rubber is orator pads were used between the mounting plate and outlet box.
3	If fan wobbles.	<ul style="list-style-type: none"> <input type="checkbox"/> Check that all blades are screwed firmly into blade holders. <input type="checkbox"/> Check that all blade holders are tightened securely to motor. <input type="checkbox"/> Make sure that canopy and mounting bracket are tightened securely to ceiling junction box and junction box is mounted firmly to ceiling joist. <input type="checkbox"/> Most fan wobble problems are caused when blade levels are unequal. Check this level by selecting a point on the ceiling above the tip of one of the blades keeping measure within 1/8 in. Rotate the fan until the next blade is positioned for measurement. Repeat for each blade. If all blade levels are not equal you can adjust blade levels by the following procedure. To adjust a blade tip down insert a washer (not supplied) between the blade and blade holder at the screw closest to the motor. To adjust a blade tip up insert washer (not supplied) between the blade and blade holder at the two screws farthest the motor. <input type="checkbox"/> If blade wobble is still noticeable interchanging two adjacent (side by side) bladed can redistribute the weight and possibly result in smoother operation.
4	If light does not work.	<ul style="list-style-type: none"> <input type="checkbox"/> Check blue wire from fan to make sure it is connected to hot wire from the house. <input type="checkbox"/> Check for loose or disconnected wires in fan switch housing. <input type="checkbox"/> Check for loose or disconnected wires in light kit. <input type="checkbox"/> Check for faulty light bulbs. CAUTION: Make sure main power is turned off before entering switch housing. <input type="checkbox"/> If the fan light shuts off shortly after being switched on it may be due to excessive current demand. Turn off power to the fan and replace the light bulbs with lower wattage bulbs. Turn on power to the fan using the pull chain, wall switch, or remote control (whichever is installed on the particular fan).

Balancing Kit

The Balancing kit should only be used if there is an unacceptable amount of fan wobble after completing all the steps in your Owners Manual under "Attaching The Fan Blades."

1. Turn the fan on and set the speed control setting to a speed at which the wobbles is the greatest.
2. Turn off the fan and allow it to come to a complete stop. Select one blade and place the balance clip on it, halfway between the blade holder and the blade tip on the trailing edge of blade.
3. Turn the fan on. Note whether the wobble has increased or decreased. Turn the fan off, move the clip to another blade, and retest. Repeat this procedure on all blades noting the blade on which the greatest improvement is achieved.
4. Move the clip back to the blade that showed the greatest improvement. Move the clip inward and outward on this blade and operate the fan to find the position where the clip gives the greatest improvement.
5. Remove the clip and install a balancing weight to the top of blade along the center line near the point where the clip was positioned.
6. If the fan wobble problem has not been corrected you may wish to try to improve the balancing further by using the balancing clip and additional weights.

