

# INSTRUCTION MANUAL

---

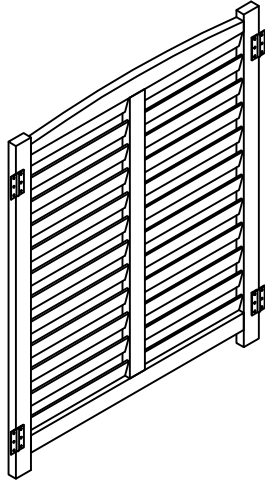
Air Conditioner Screen

**⚠ NOTICE**

**Please retain these instructions for future reference.**

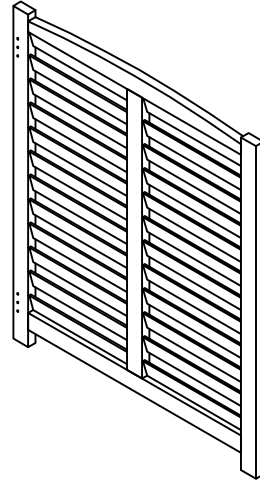
- Do not stand on or use any part of this item as a step ladder.
- Firmly secure all bolts and screws before use.
- Do not use or store this item in the proximity of open flame or flammable/combustible chemicals.
- Be aware that some parts are heavy and have sharp edges.
- If any parts are missing, broken, damaged, or worn, stop using this product until repairs are made and/or factory replacement parts are installed.
- Ensure your product is sited on level ground. Failure to do this may put additional stress on connections and joints and in time could cause them to fail.

1



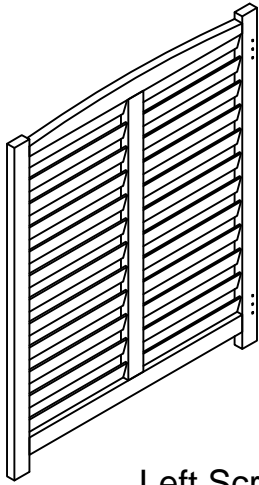
Middle Screen  
1PC

2



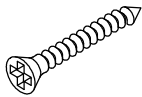
Right Screen  
1PC

3



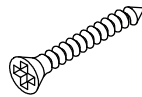
Left Screen  
1PC

A



wood screw  
3x16mm 12PCS+1

B



wood screw  
4x25mm 4PCS+1

C

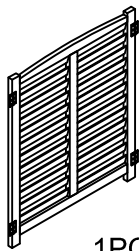


4PCS

3

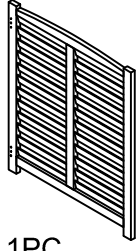
1

①



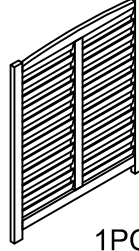
1PC

②



1PC

③

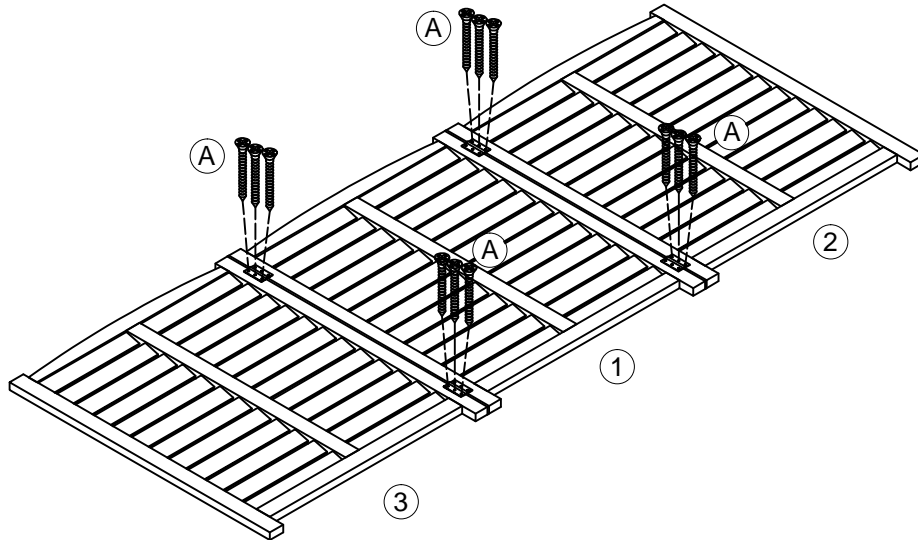


1PC

Ⓐ



wood screw  
3x16mm 12PCS



2

Ⓑ



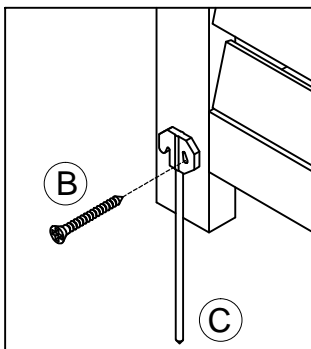
wood screw  
4x25mm 4PCS

Ⓒ

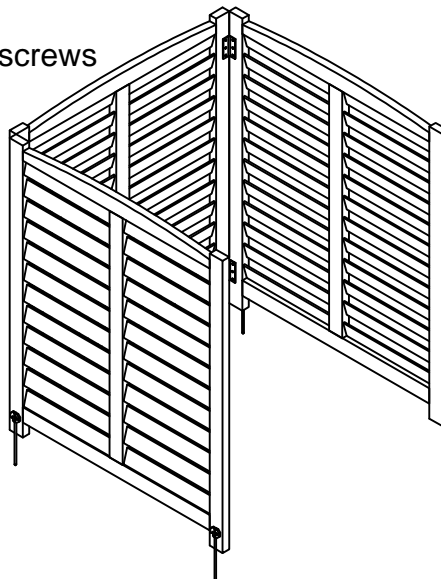


4PCS

Put the fence in location first  
Hammer the stakes into the ground  
Attach the stakes to the fence using four B screws



x4



④