



DUAL SPRAY SWIVEL AERATOR WITH PAUSE VALVE

Our Niagara Conservation branded Dual Spray Swivel Aerator with Pause Valve directs the water flow where it's needed the most providing greater efficiencies. It offers two stream options: a full force multiple stream and a splash-free bubble stream that can be changed by twisting the body. This aerator contains a 360° swivel which helps to reduce water use by directing the water flow where it's needed. This aerator also features a pause action valve that reduces flow to a trickle while keeping temperature constant.

THE FEATURES

- Dual threaded
- Fits most male and female threaded faucets, Male: 15/16-27, Female: 55/64-27
- Pressure compensating technology guarantees a consistent flow rate across a wide range of pressure
- Does not contain any unplated brass parts; virtually a lead-free aerator
- Soft rubber nozzles for easy cleaning and decalcification
- 10 year warranty***

CERTIFICATION & PERFORMANCE REQUIREMENTS

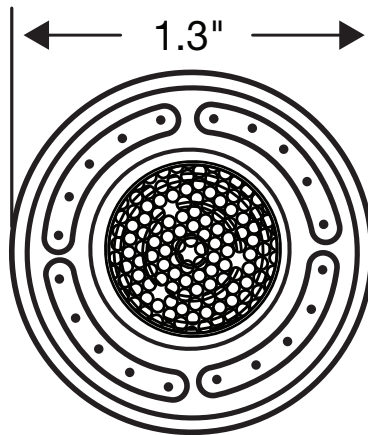
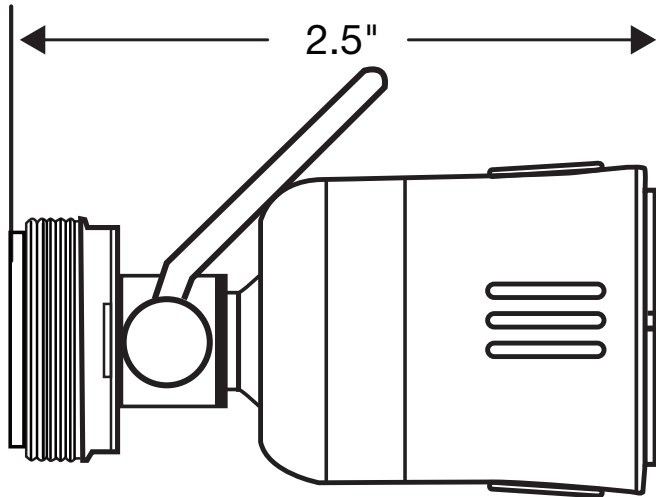
- ASME A112.18.1 / CSA B125.1; ANSI/NSF 61

MODEL #	SPRAY	FINISH	FLOW RATE	WATERSENSE	CASE QTY.
N3126VP-C	Aerated Bubble/Needle	Chrome	1.5 GPM	Yes	200

THE POTENTIAL ANNUAL SAVINGS*

	FLOW RATE	WATER	ELECTRIC HEATING	GAS HEATING
DOLLAR SAVINGS	1.5 GPM	\$51	\$39	\$21
UTILITY SAVINGS	1.5 GPM	6,132 gallons	347 kWh	19 therms

THE DIMENSIONS**



*Factors in calculating savings potential:

- 3-person households each person using a faucet 8 minutes per day, 365 days per year (AWWARF Residential Study)
- Comparing water use with these aerator vs. a standard 2.2 GPM unit
- US city average water and sewer cost of \$8.3 per 1,000 gallons (study done by NUS

Consulting Group 2011)

- Average cost of electricity 0.113¢ per kWh (Energy Star Nov. 2013 Lightbulb Calculator — http://www.energystar.gov/?c=cfls.pr_cfls_savings)
- Average cost of gas \$1.137 per therm (Bureau of Labor Statistics April 2014)
- Calculations done by <http://www.fishnick.com/savewater/tools/watercalculator>

**Dimensions are subject to change

***WARRANTY DETAILS

AM Conservation Group, Inc. guarantees to the original purchaser or recipient of an aerator that it is free from defects in material and workmanship for a period of 10 years. AM Conservation Group, Inc. will at our choice replace any part of the aerator which is in our opinion defective provided that the product has not been abused, misused, altered, or damaged after its purchase. This includes damage due to the use of tools or harsh chemicals. In the event a product has been discontinued, AM Conservation Group, Inc. will replace it with what we determine to be the closest product. AM Conservation Group, Inc. is not responsible for labor charges, installation, or other consequential cost. AM Conservation Group, Inc.'s responsibility shall not exceed the original cost of the product.