

⚠ Warnings and Cautions

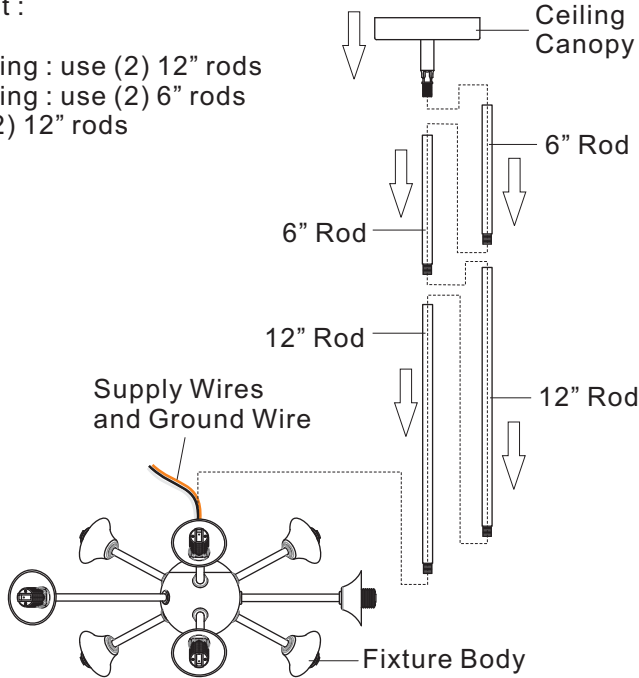
Turn off electricity at circuit breaker or main fuse box before installation. Consult a licensed electrician if in doubt.

These instructions are provided for your safety. It is very important you read them completely before installing the fixture. We strongly recommend that a licensed, professional electrician perform the installation.

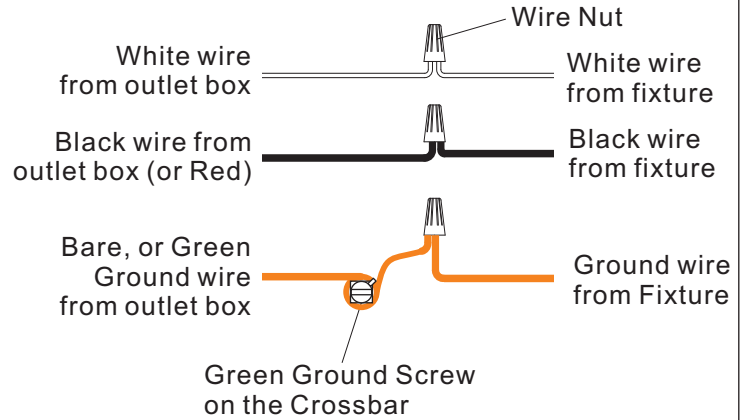
STEP 1 - Install Ceiling Canopy and Rods

Suggested Rods for Ceiling Height :

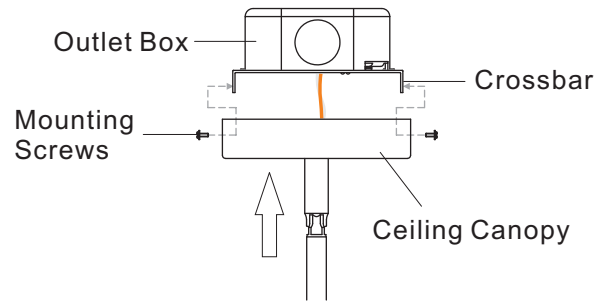
8' ceiling : use (2) 12" rods
 9' ceiling : use (2) 6" rods and (2) 12" rods



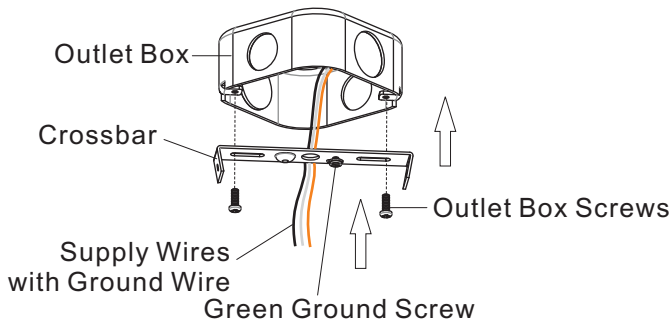
STEP 3 - Wiring



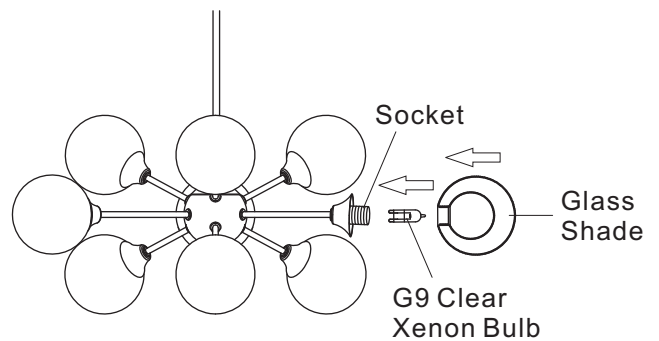
STEP 4 - Install Fixture to Ceiling



STEP 2 - Install Crossbar



STEP 5 - Install Bulbs and Shades



Warranty

This product is provided with a 1 year limited warranty that it will be free from defects in material and workmanship and subject to certain conditions and exclusions from the date of purchase. Email customercare@ashleyharbour.com for warranty service.