

**USER'S MANUAL**  
**RATTAN L SHAPE SOFA**

**A00261-BLDG**  
**A00261-GRDG**



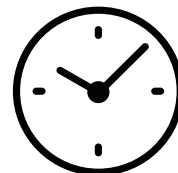
**280 LBS**  
**CHAIR**  
**CAPACITY**



**110 LBS**  
**TABLE**  
**CAPACITY**



**1 PERSON**  
**ASSEMBLY**



**APPROXIMATELY**  
**60 MIN.**  
**ASSEMBLY**

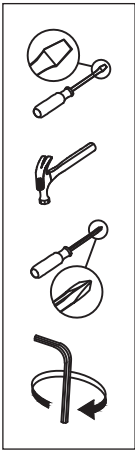
---

# Contact Us!

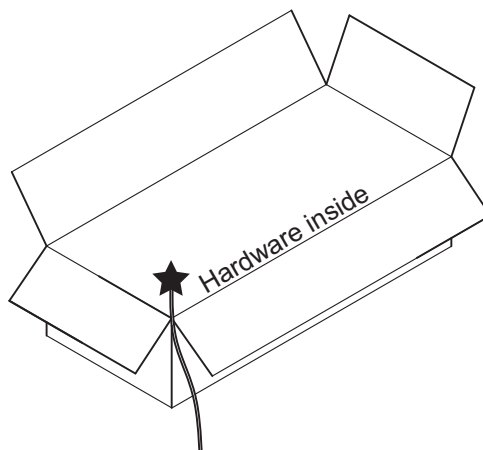
## Need Help! Do NOT return this item.

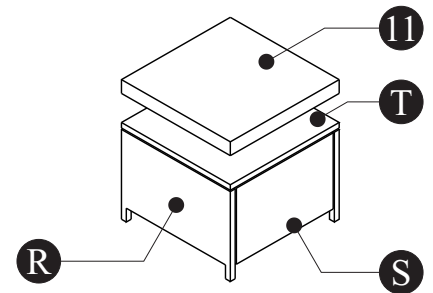
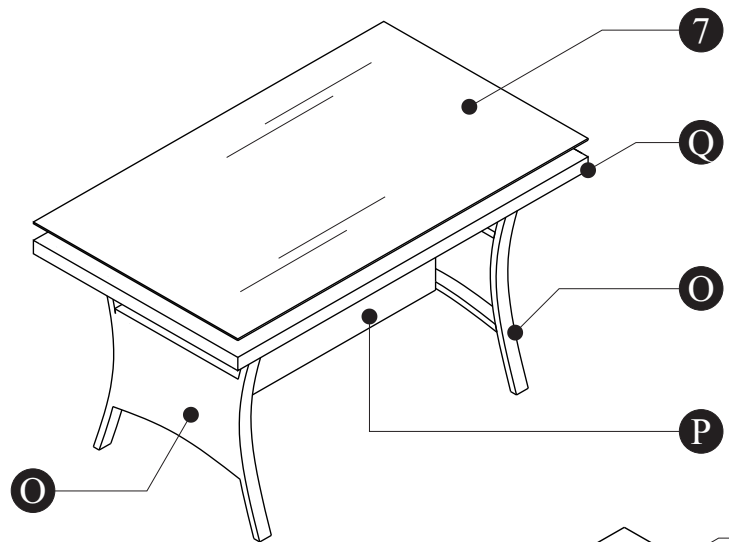
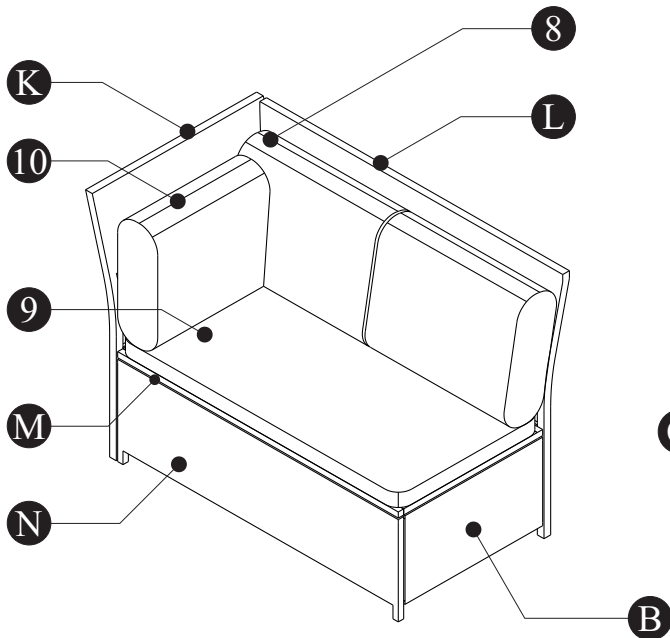
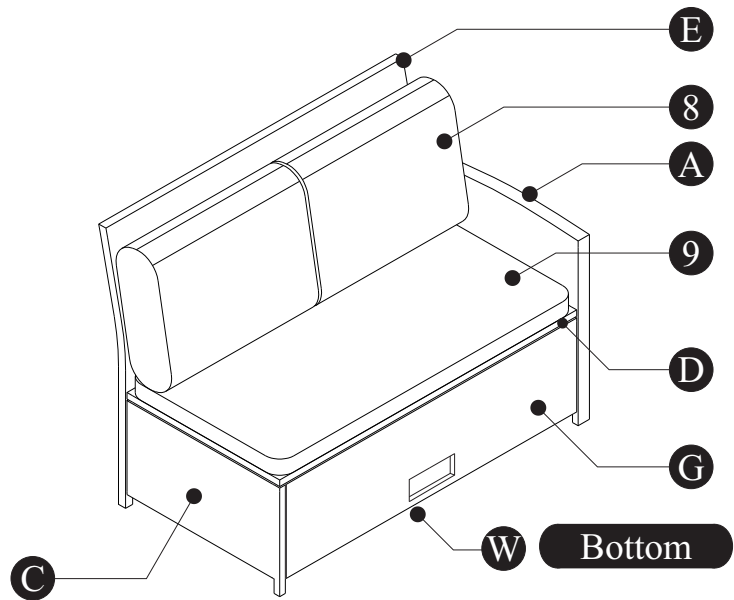
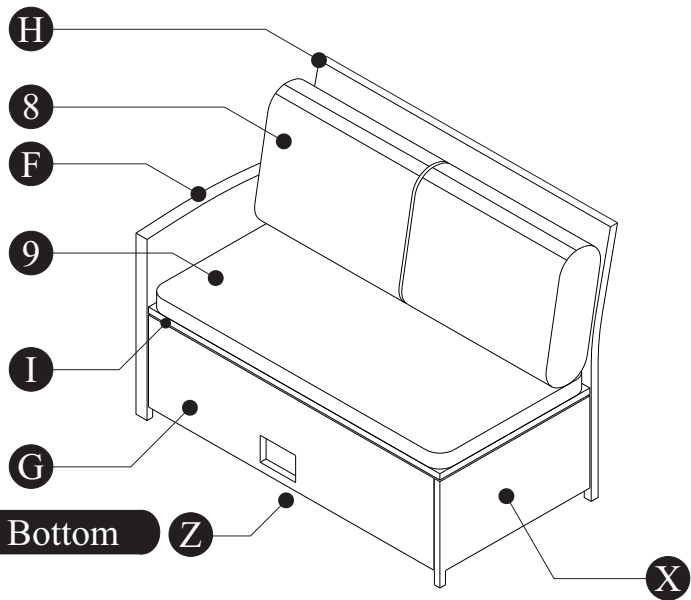
Contact our friendly customer service department for help first.

## Before You Start



- Please do not exceed the weight limitation of each items
- Do not stand on or use any part of this item as step ladder
- Read each step carefully before starting. It is very important to ensure each step followed in correct order, otherwise assembly difficulties may occur.
- Most of board parts are labeled or stamped on the raw edges. Have a check to make sure all parts are included.
- Work in a spacious area, preferably on a carpet close to where the unit will be used.
- Keep the handtools close at hand. Do not use power tools to assemble your furniture. They may scratch or damage the parts.
- Manufacturer and seller expressly disclaim any and all liability for personal injury, property damage or loss, whether direct, indirect, or incidental, resulting from incorrect attachment, improper use, inadequate maintenance, or neglect of this product.
- To entitle refund, all return must in its original product packaging with all accessories are included. Pictures return may required as evidence and the responsibilities will pass to us untill the item has been received by our side. All returned fee under customer's expense.



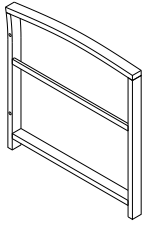


**Notice:**

1. 50% Tighten before fixing all screws, Allen wrench is recommended instead of an electric drill.
2. Place the item on a flat ground to adjust and make sure it remains stable.
3. Tighten up all screws with tools gradually.
4. If the screws are not aligned with holes during assembly, please loosen all the other screws to 50% and continue the assembly process.
5. If the item is not stable, please loosen all the screws, adjust it on a flat ground and tighten up all screws again.
6. Note : If one or some screws are fully tightened during assembly, chances are the others will not be aligned with holes. In addition, all the holes are designed to be relatively larger to provide more space for the adjustment of the screws.

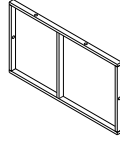
# Part List & Hardware

**A**



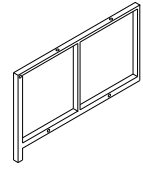
Left frame (1 pc)

**B**



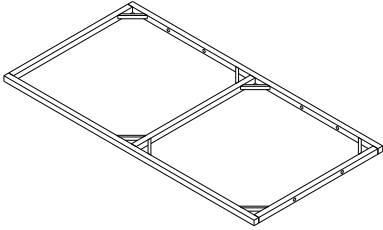
Panel side frame (1 pc)

**C**



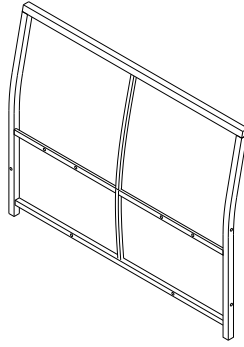
Side frame (1 pc)

**D**



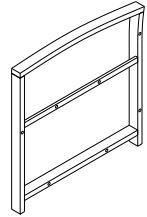
Seat frame D (1 pc)

**E**



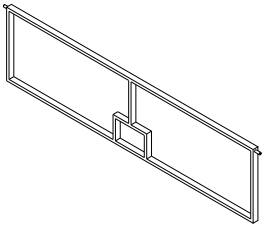
Back frame E (1 pc)

**F**



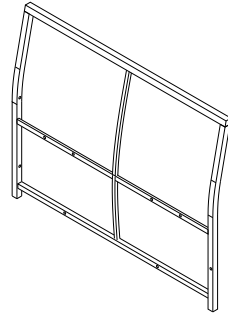
Right frame (1 pc)

**G**



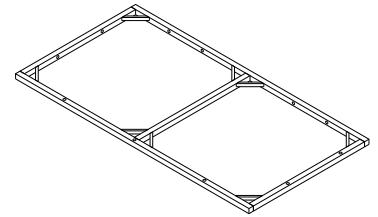
Lid open frame (2 pcs)

**H**



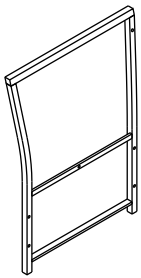
Back frame (1 pc)

**I**



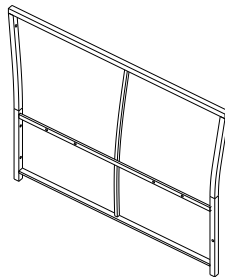
Seat frame (1 pc)

**K**



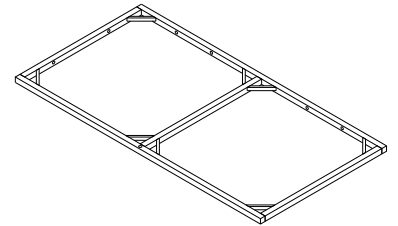
Small corner frame (1 pc)

**L**



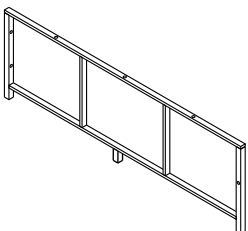
Big corner frame (1 pc)

**M**



Corner seat frame (1 pc)

**N**



Corner front frame (1 pc)

**O**

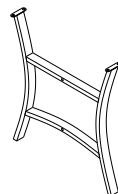
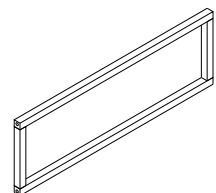


Table feet frame (2 pcs)

**P**



Middle table frame (1 pc)

# Part List & Hardware

Q

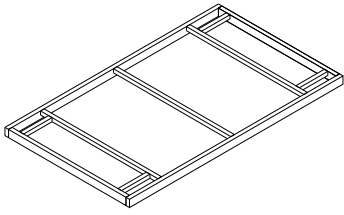
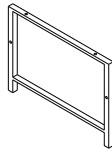


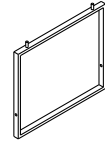
Table top (1 pc)

R



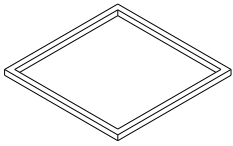
Stool feet frame (4 pcs)

S



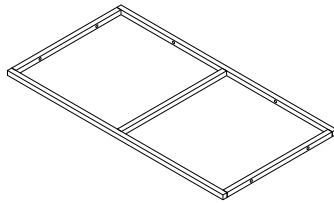
Stool side frame (4 pcs)

T



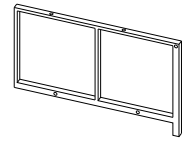
Stool top frame (2 pcs)

W



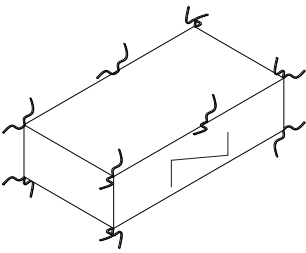
Bottom frame (1 pc)

X



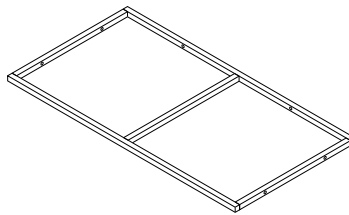
Side frame (1 pc)

Y



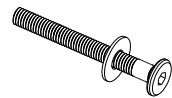
Rain cover (2 pcs)

Z



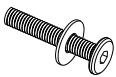
Bottom frame (1 pc)

1



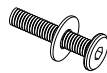
Bolt M6x70 (8 pcs)

2



Bolt M6x45 (5 pcs)

3



Bolt M6x35 (30 pcs)

4



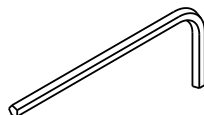
Bolt M6x25 (29 pcs)

5



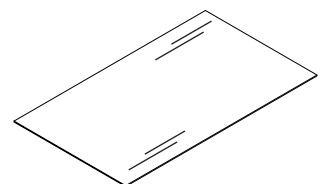
Bolt M6x15 (8 pcs)

6



Allen key (1 pc)

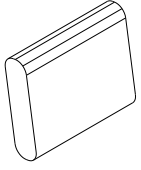
7



Glass (1 pc)

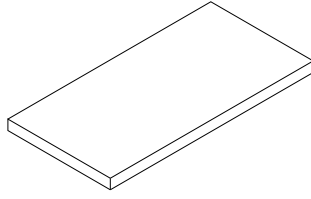
# Part List & Hardware

8



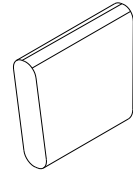
Back pillow (6 pcs)

9



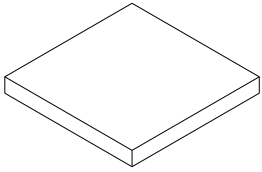
Seat cushion (3 pcs)

10



Small corner pillow (1 pc)

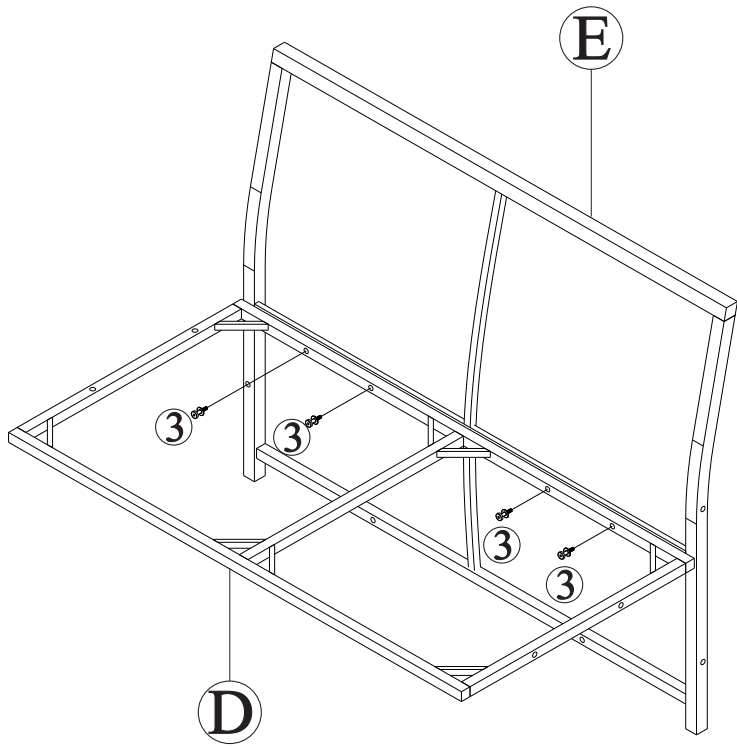
11



Stool cushion (2 pcs)

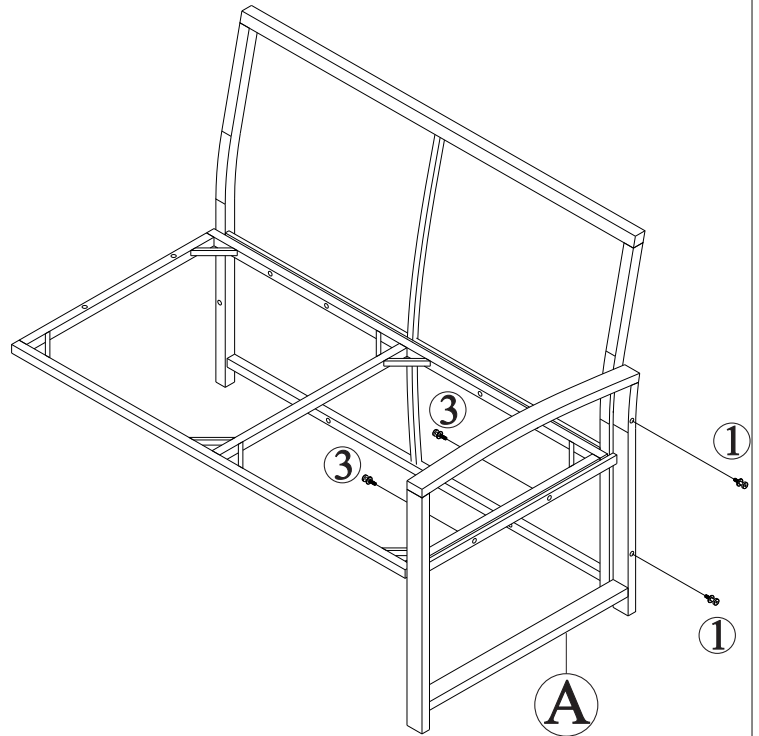
**STEP 1**

Connect Back Frame E (E) & Seat Frame D (D) with Bolt (3)



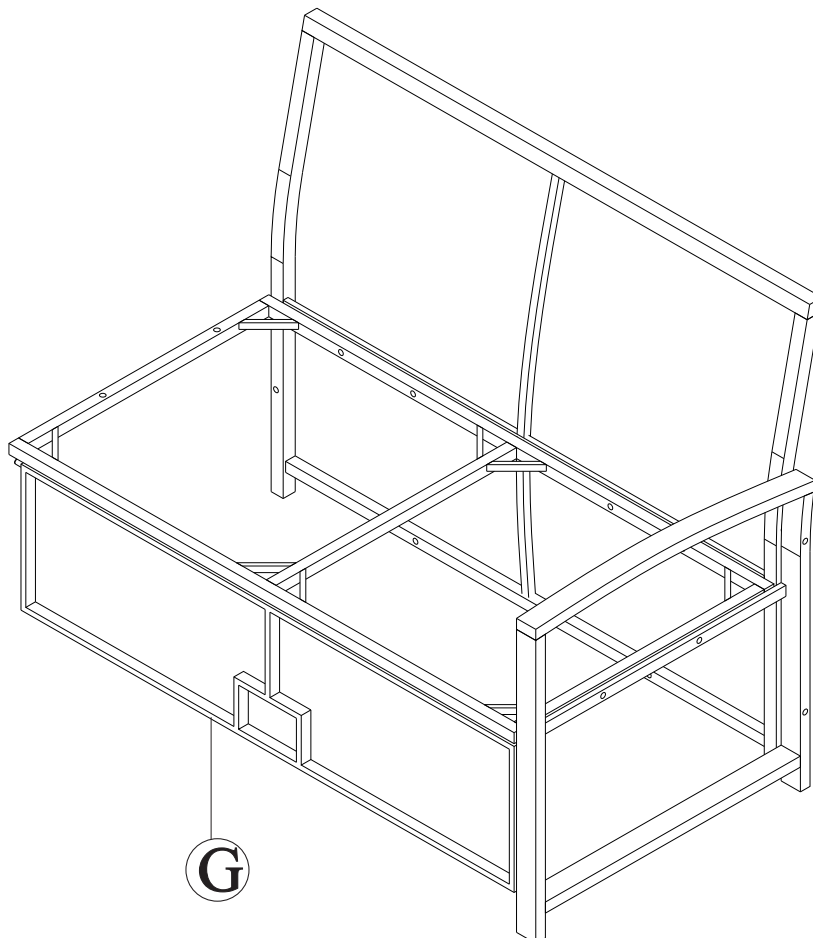
**STEP 2**

Connect part from STEP 1 & Left Frame (A) with Bolt (1) & (3)



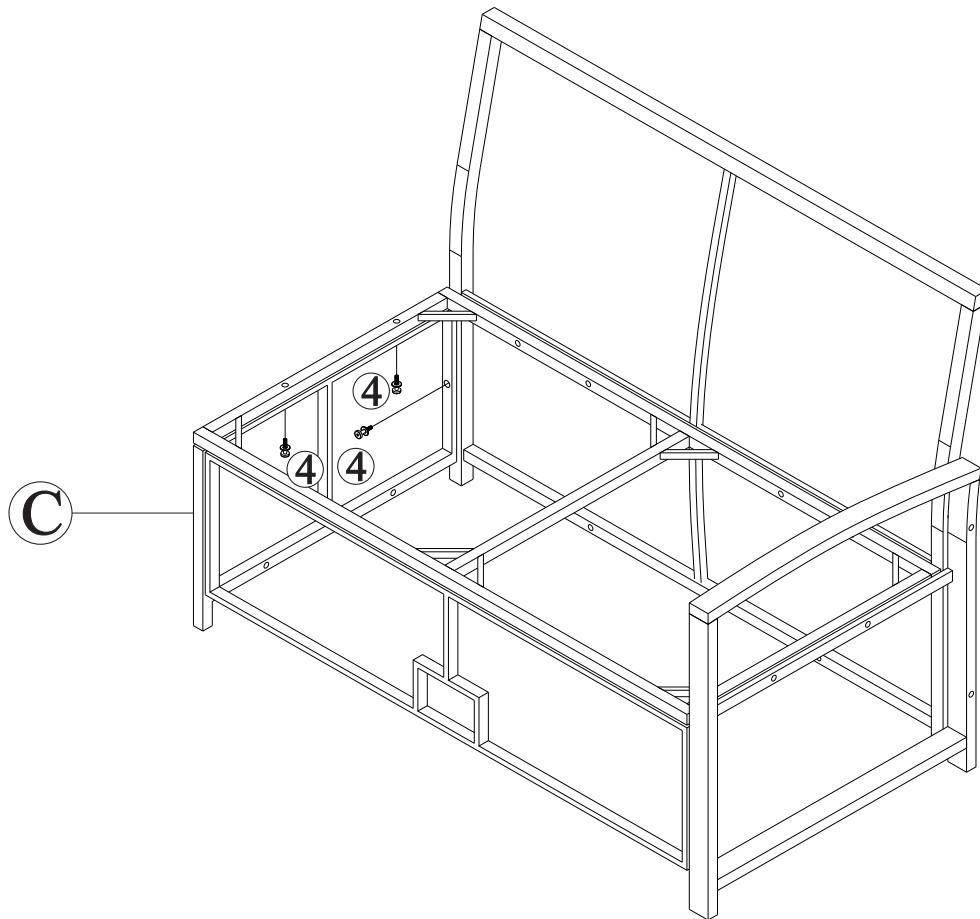
**STEP 3**

Connect part from STEP 2 & Lid Open Frame (G)



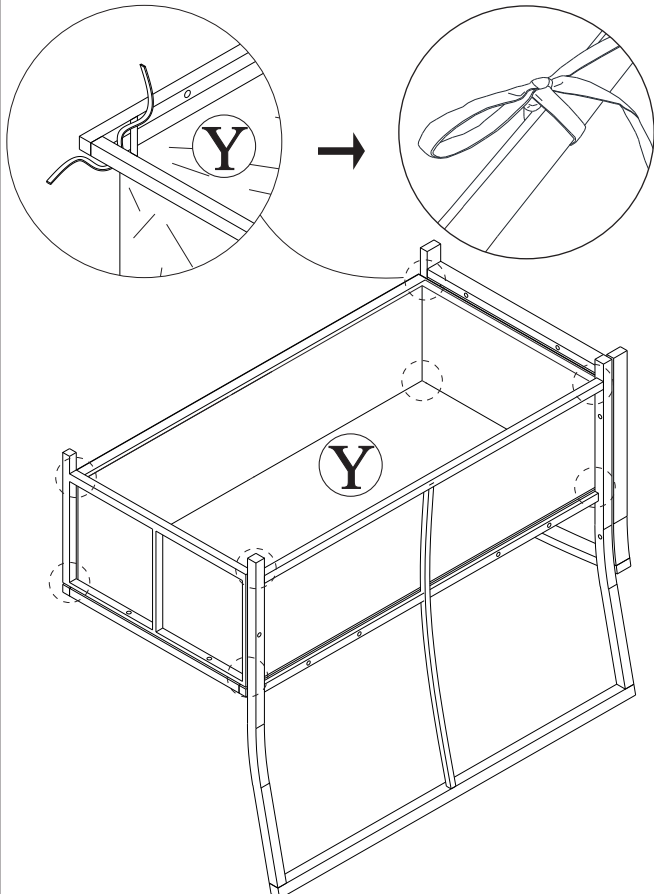
### STEP 4

Connect part from STEP 3 & Side Frame (C) with Bolt (4)



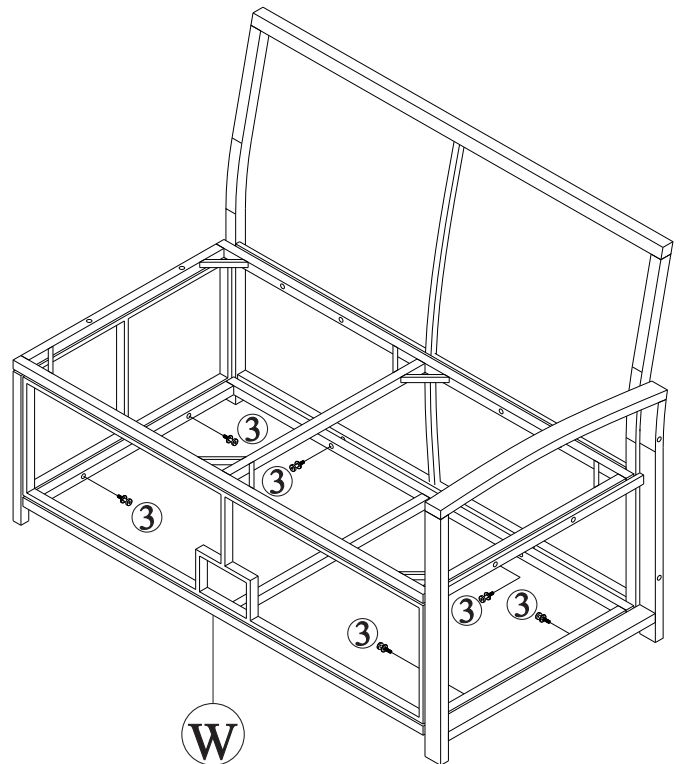
### STEP 5

Connect part from STEP 4 & Rain Cover (Y)



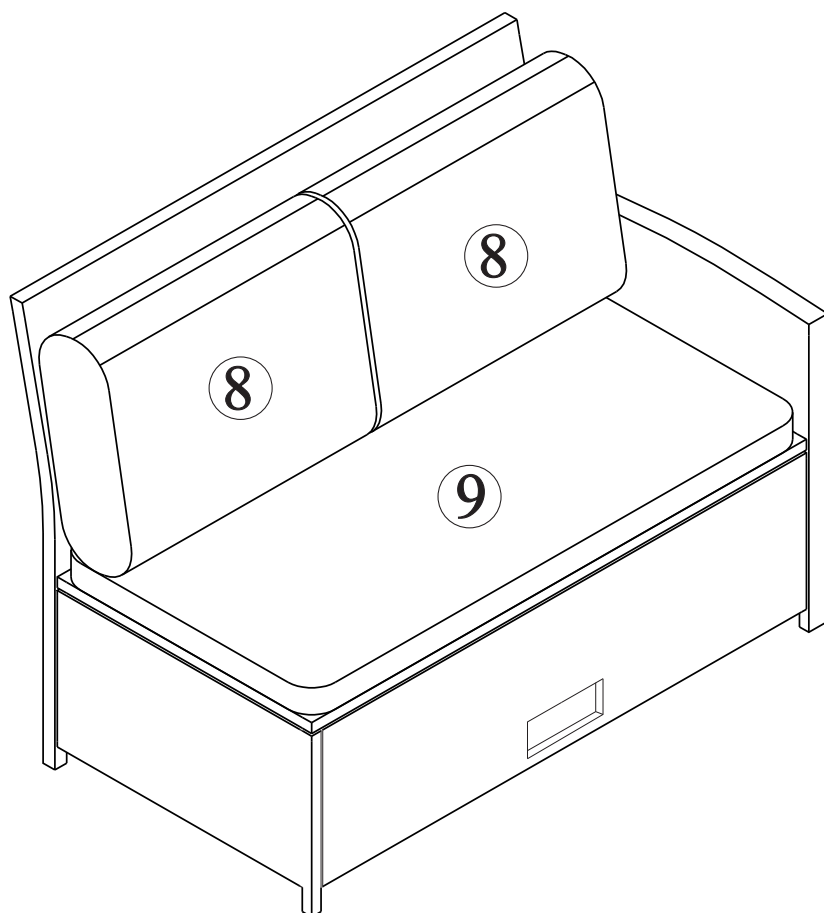
### STEP 6

Connect part from STEP 5 & Bottom Frame (W) with Bolt (3)



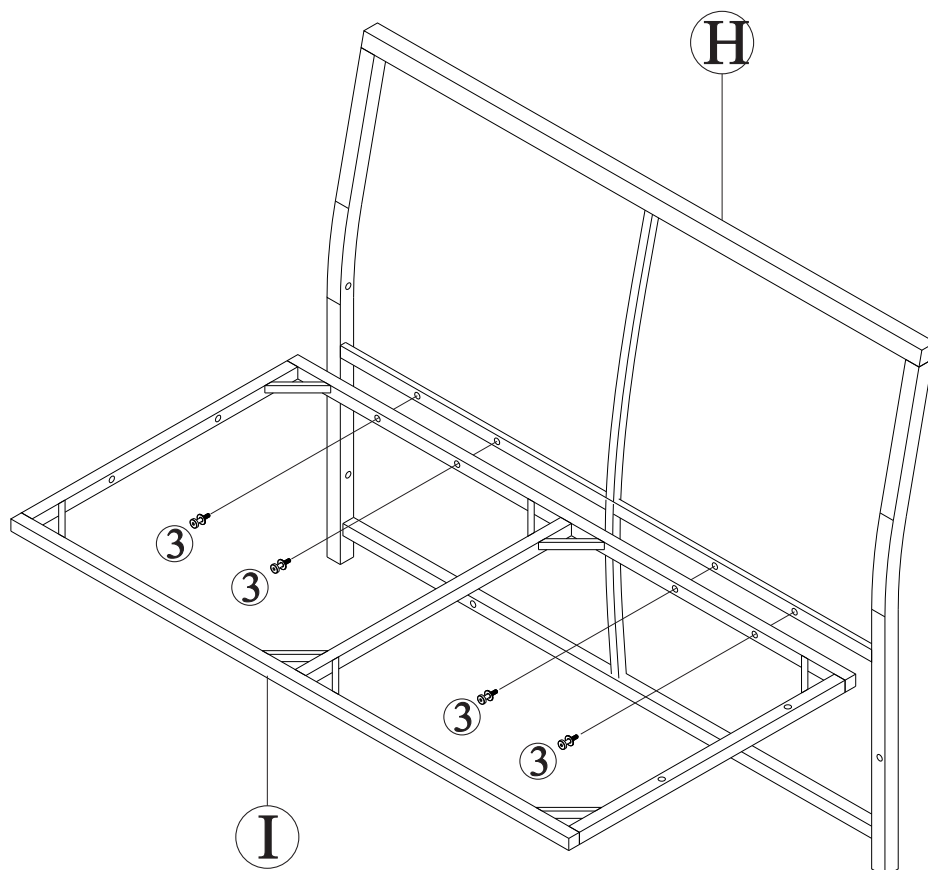


Put on Seat Cushion (9) & Back Pillow (8) to complete Left Corner Sofa



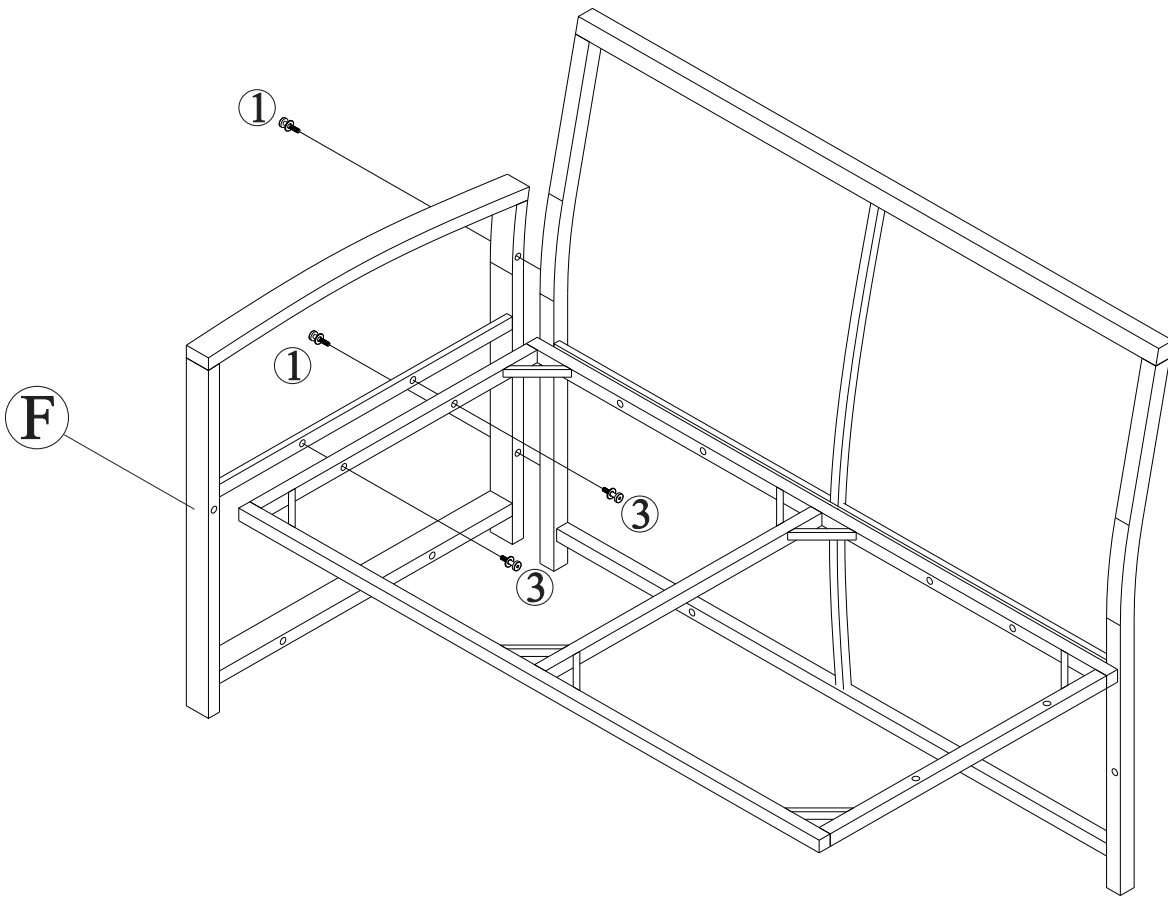
STEP 7

Connect Back Frame (H) & Seat Frame (I) with Bolt (3)



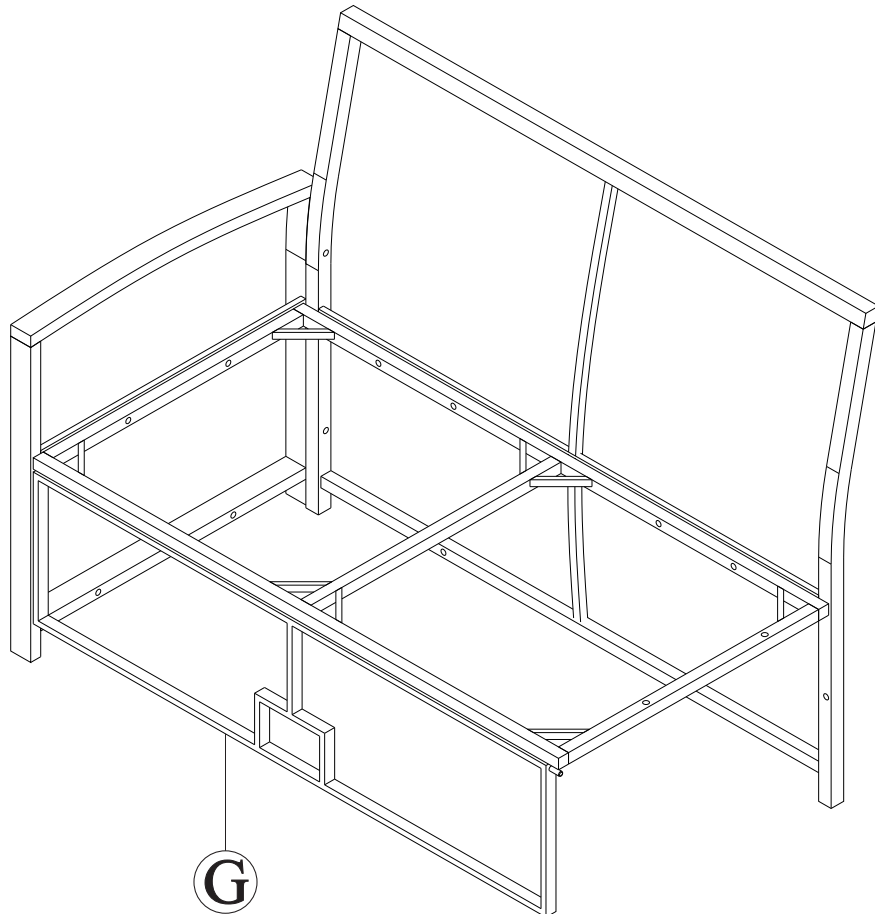
### STEP 8

Connect part from STEP 7 & Right Frame (F) with Bolt (1) & (3)



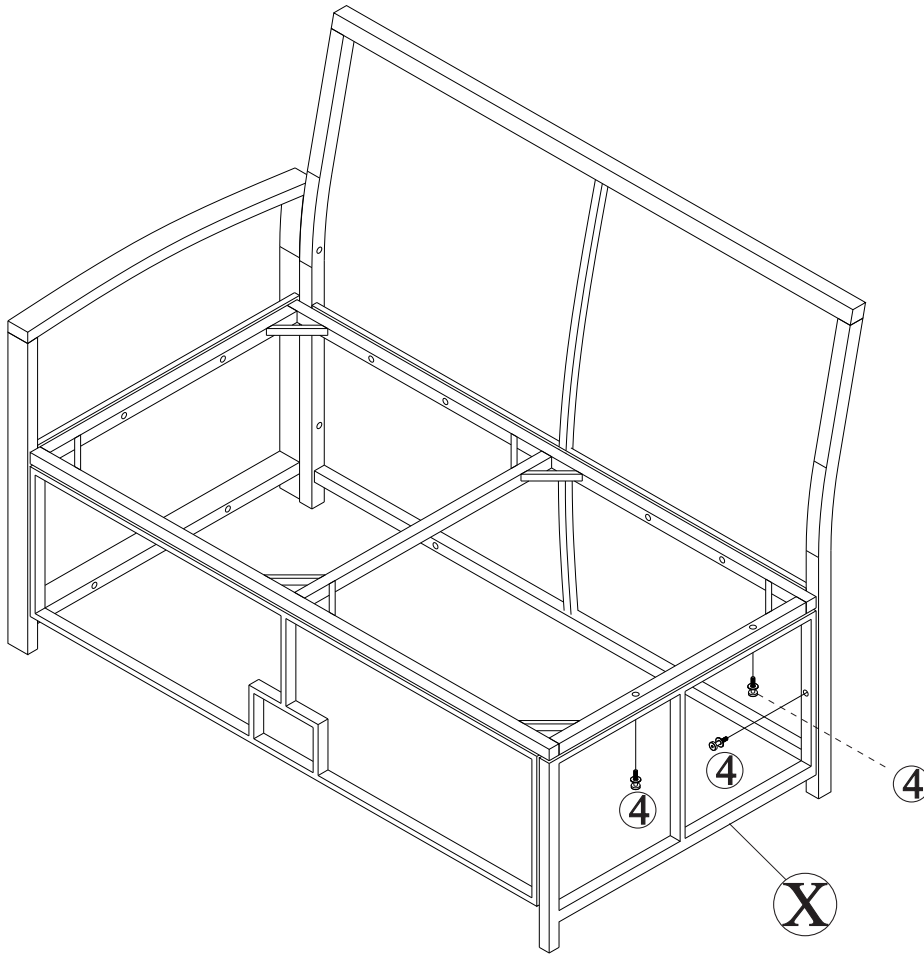
### STEP 9

Connect part from STEP 8 & Lid Open Frame (G)



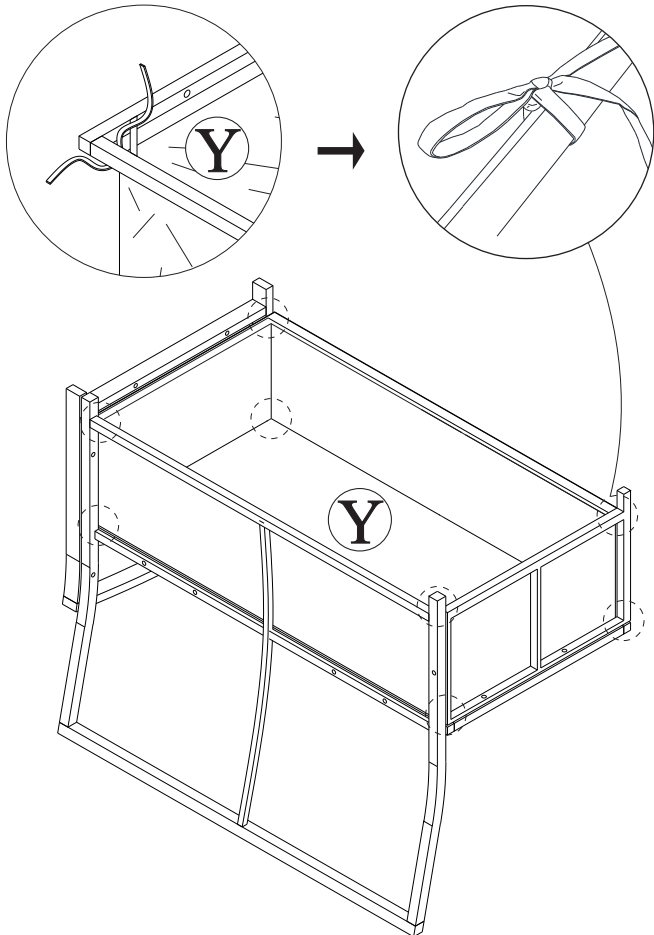
STEP 10

Connect part from STEP 9 & Side Frame (X) with Bolt (4)



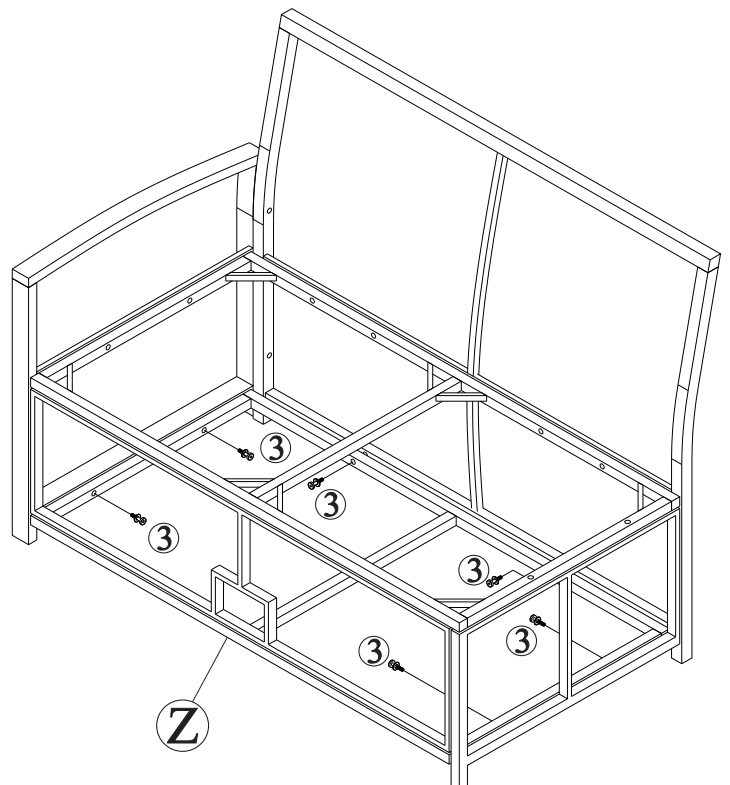
STEP 11

Connect part from STEP 10 & Rain Cover (Y)

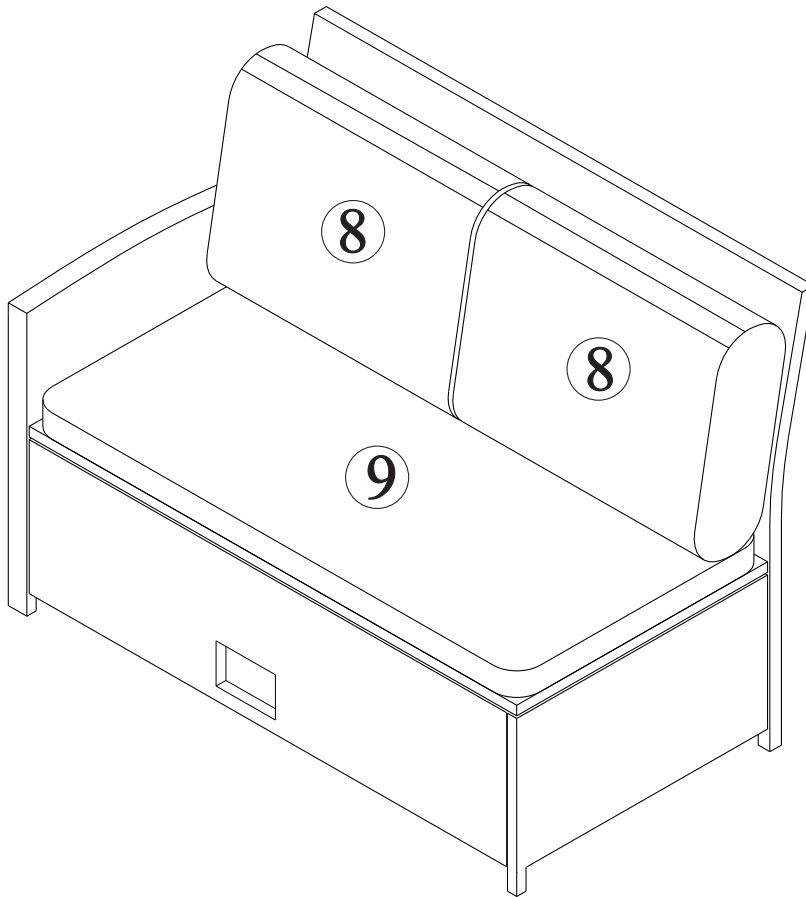


STEP 12

Connect part from STEP 11 & Bottom Frame (Z) with Bolt (3)

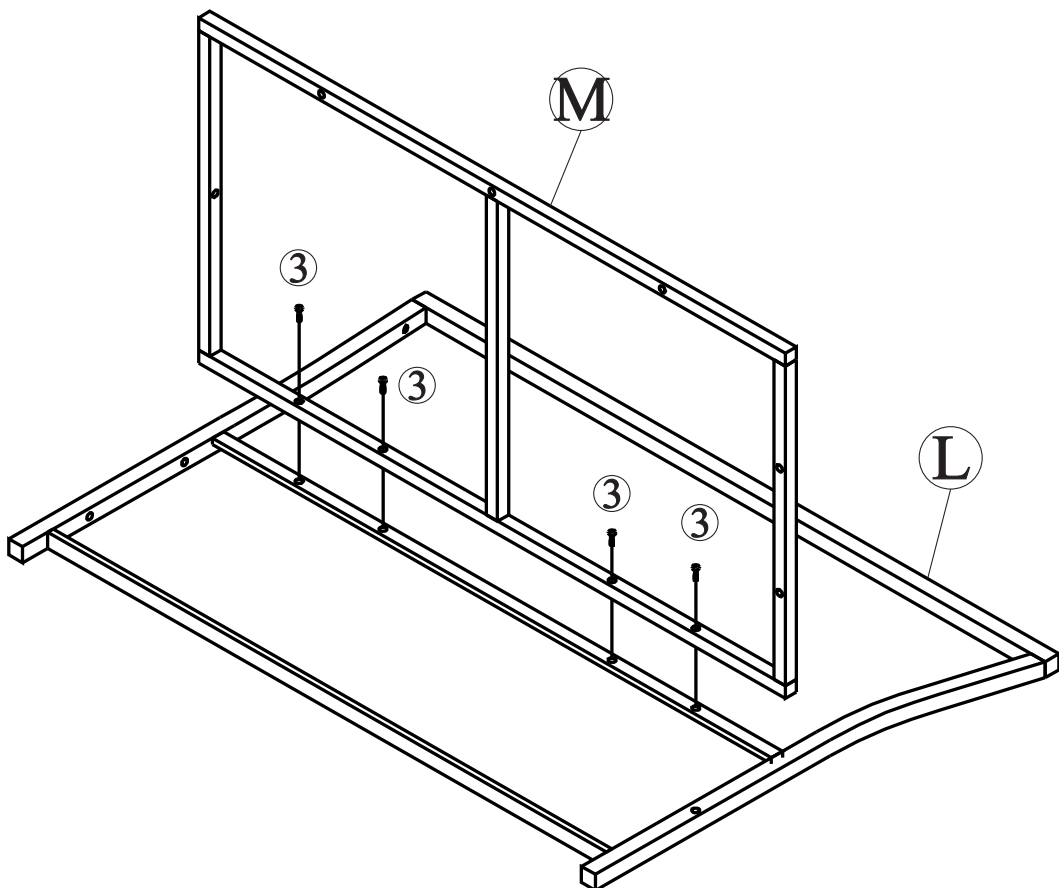


Put on Seat Cushion (9) & Back Pillow (8) to complete Right Corner Sofa



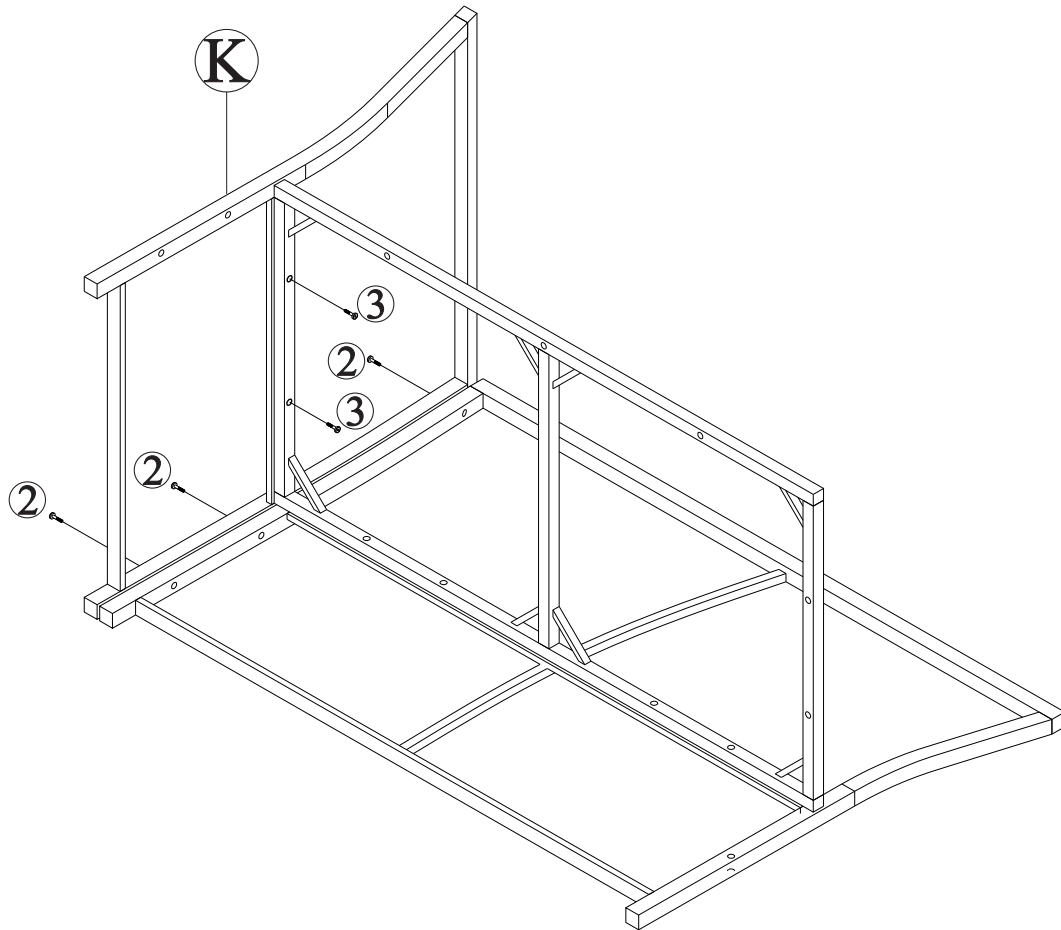
STEP 13

Connect Big Corner Frame (L) & Corner Seat Frame (M) with Bolt (3)



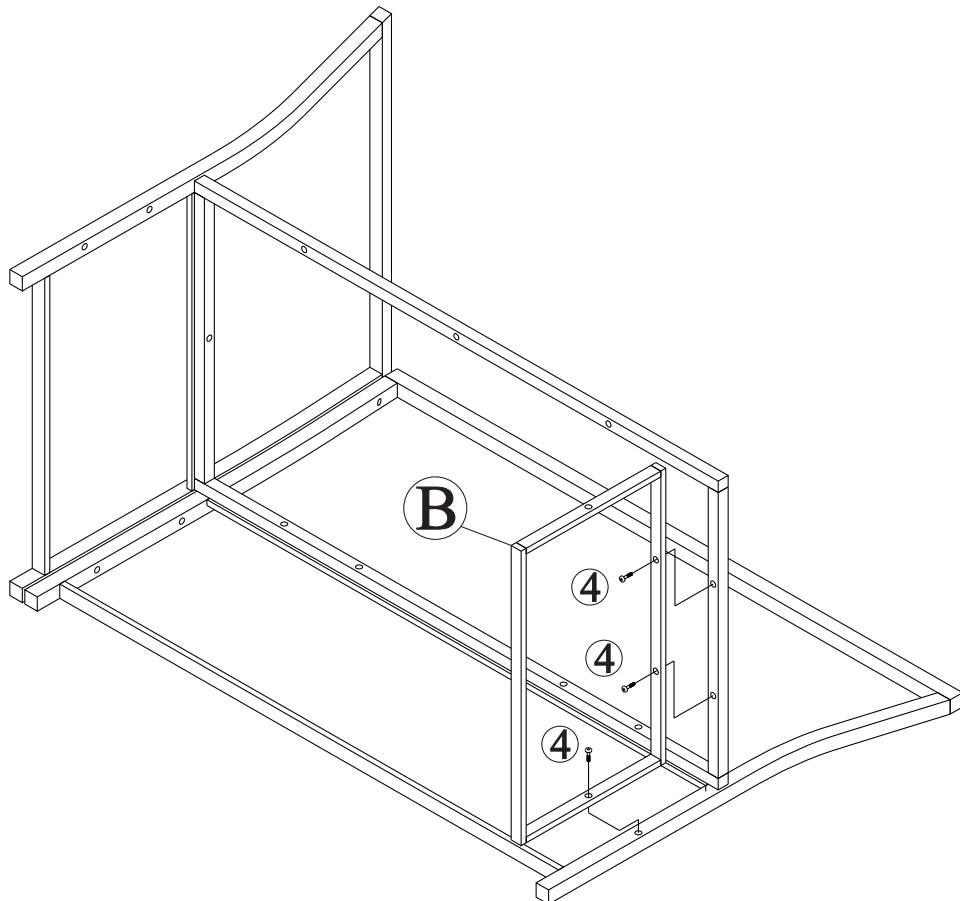
STEP 14

Connect part from STEP 13 & Small Corner Frame (K) with Bolt (2) & (3)



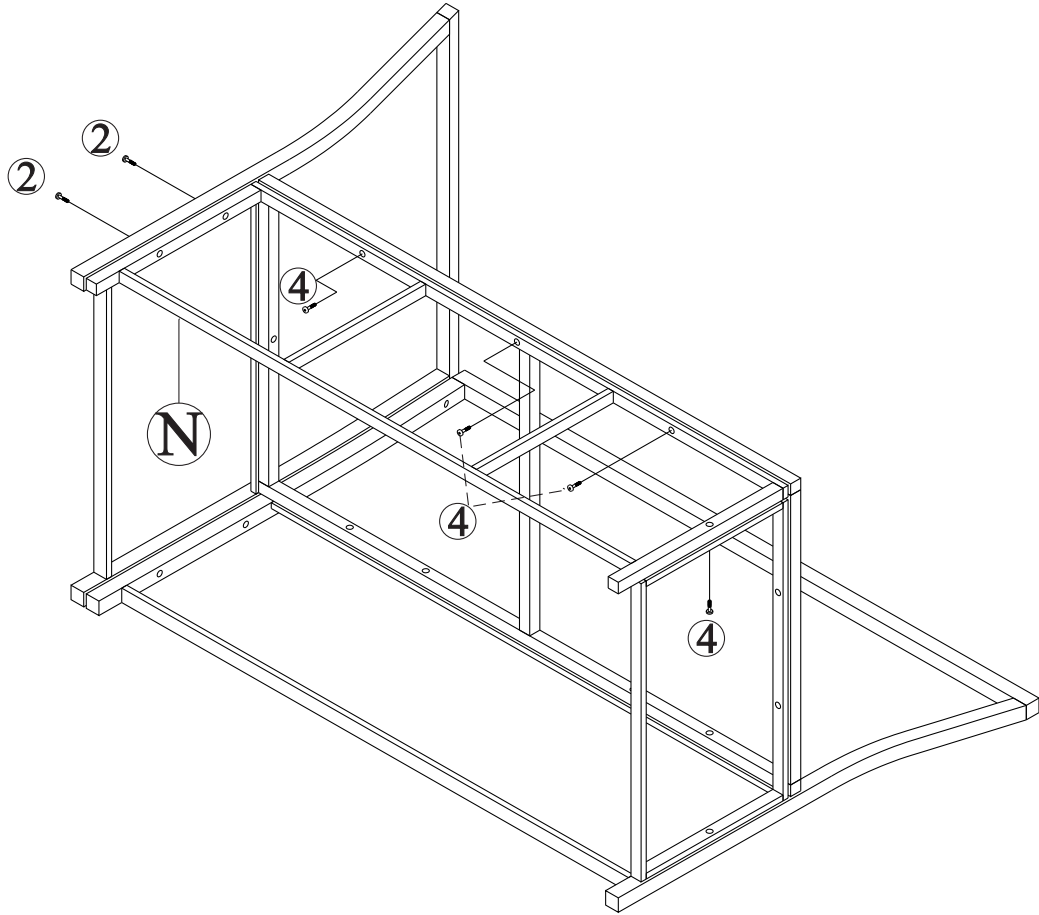
STEP 15

Connect part from STEP 14 & Panel Side Frame (B) with Bolt (4)



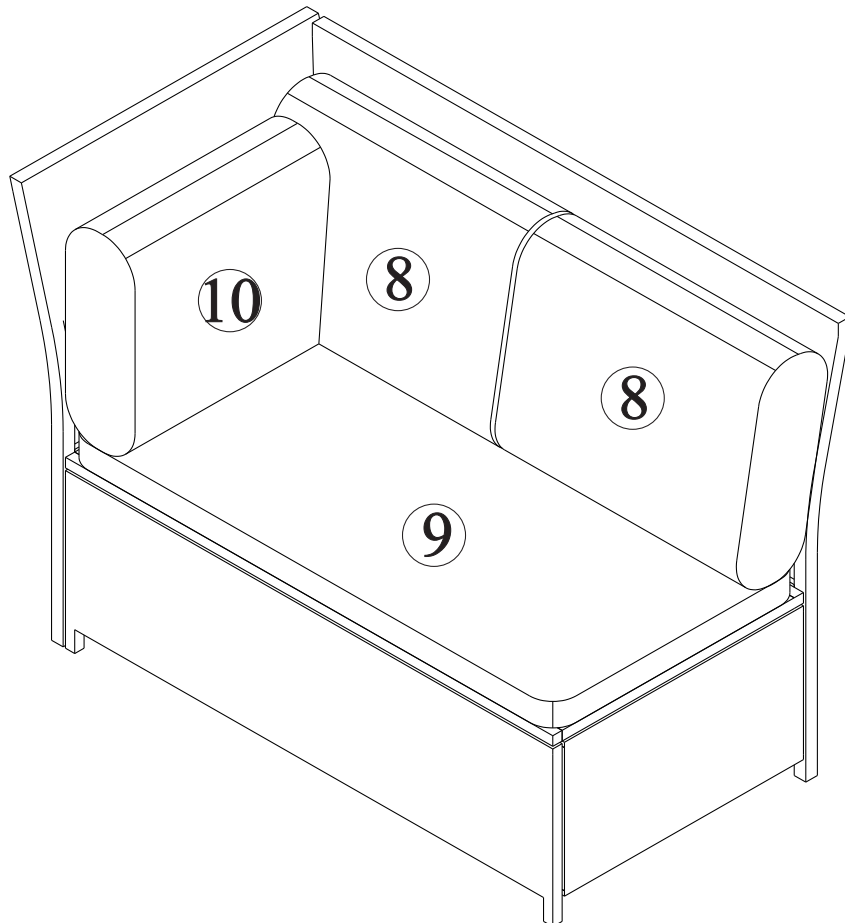
### STEP 16

Connect part from STEP 15 & Corner Front Frame (N) with Bolt (2) & (4)



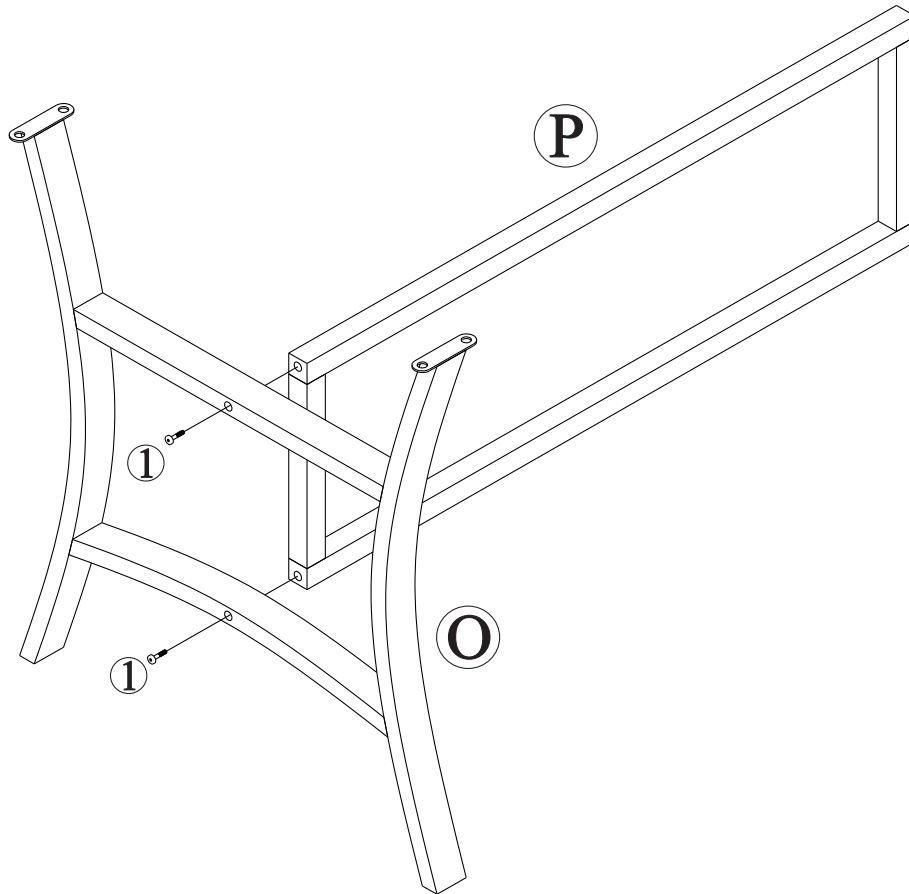
### STEP 17

Put on Seat Cushion (9), Back Pillow (8) & Small Corner Pillow (10) to complete Corner Sofa



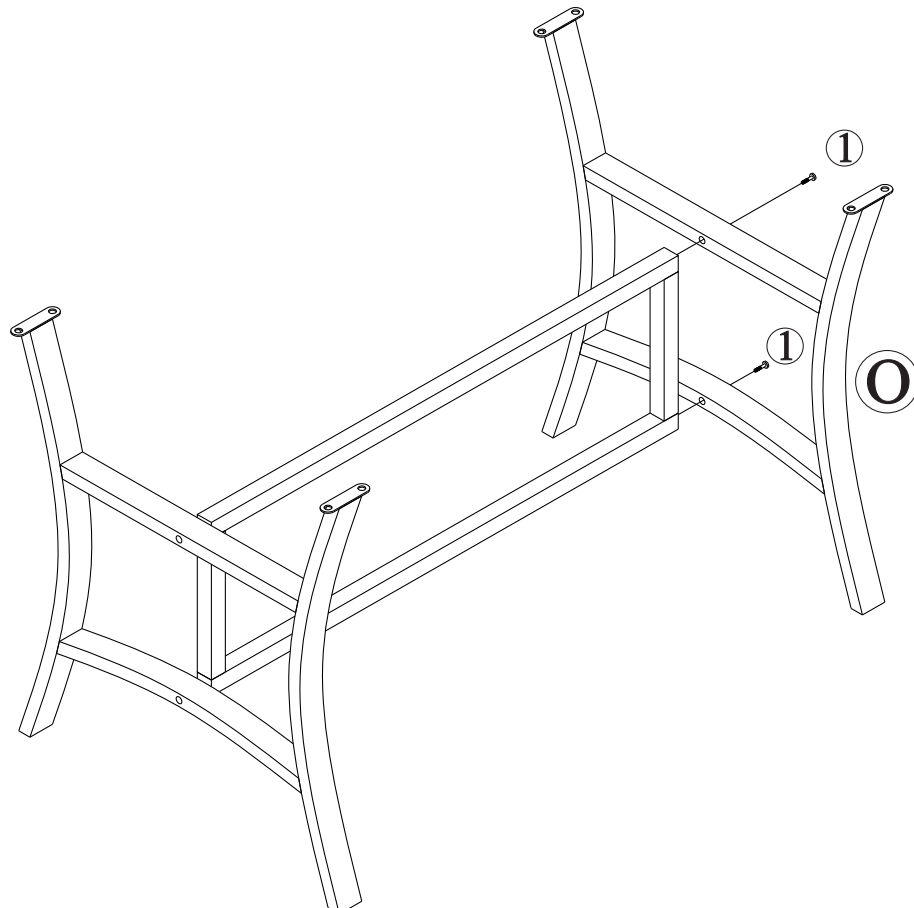
STEP 18

Connect Table Feet Frame (O) & Middle Table Frame (P) with Bolt (1)



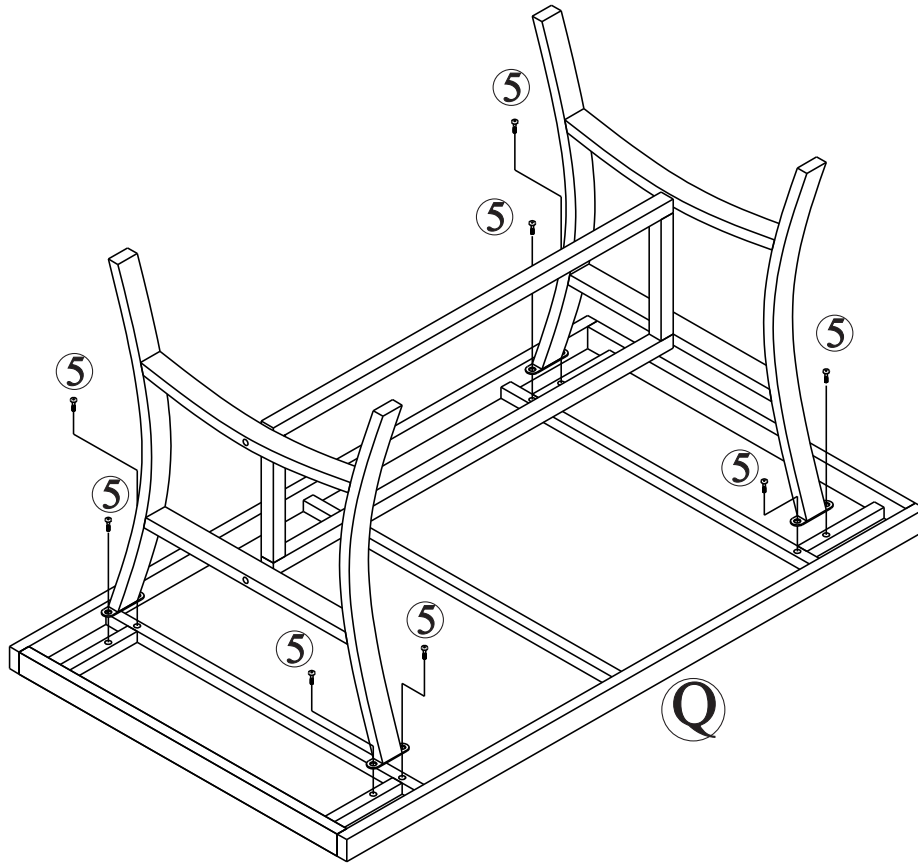
STEP 19

Connect part from STEP 18 & Table Feet Frame (O) with Bolt (1)



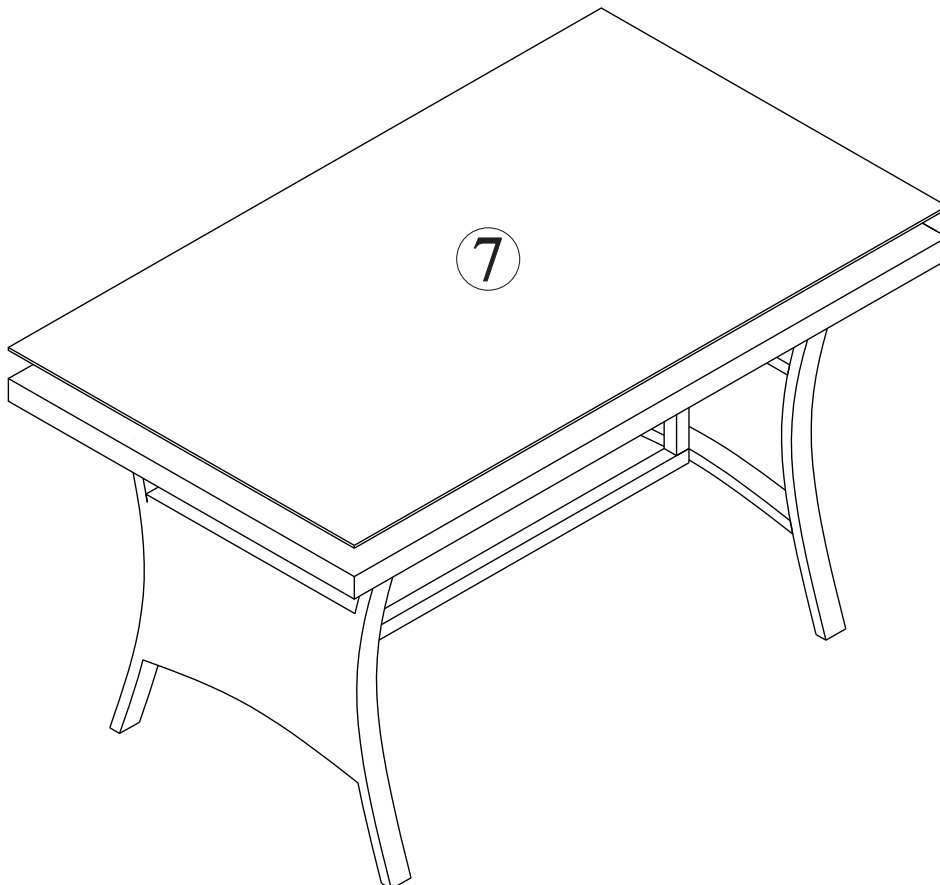
STEP 20

Connect part from STEP 19 & Table Top Frame (Q) with Bolt (5)



STEP 21

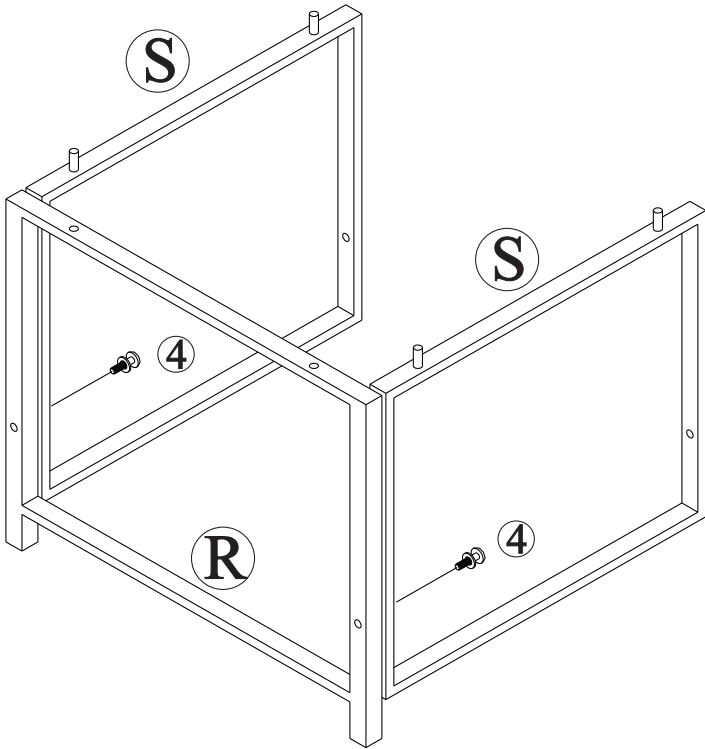
Put on Table Glass (7) to complete the Table





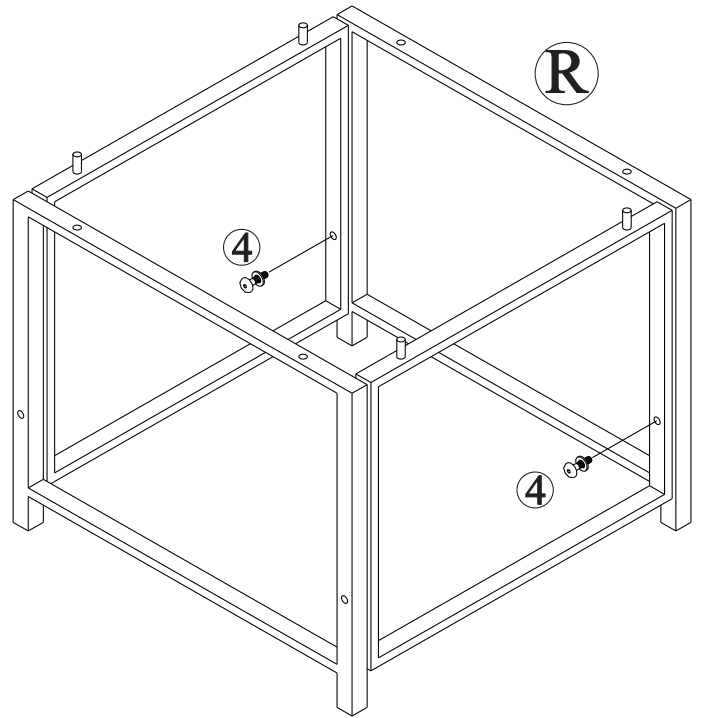
### STEP 22

Connect Stool Feet Frame (R) & 2x Stool Side Frame (S) with Bolt (4)



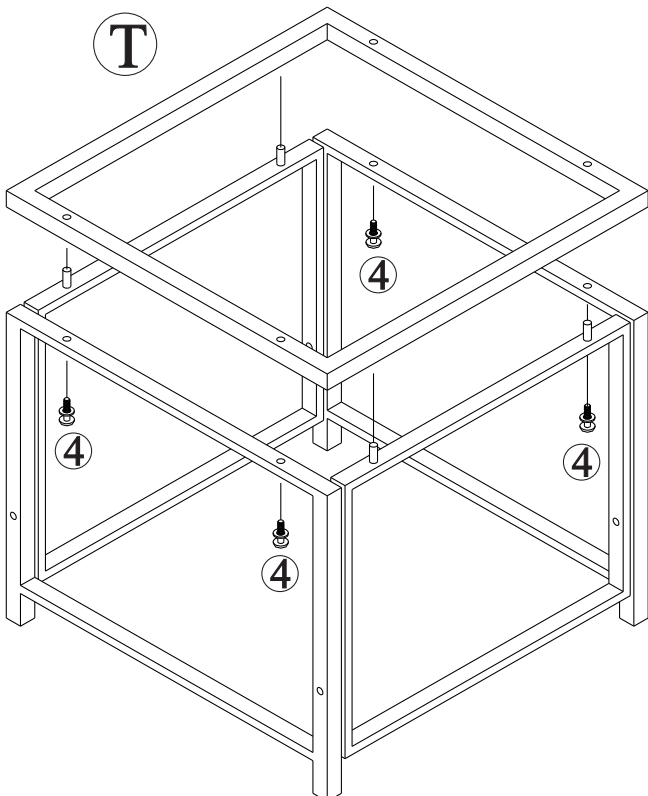
### STEP 23

Connect part from STEP 22 & Stool Side Frame (R) with Bolt (4)



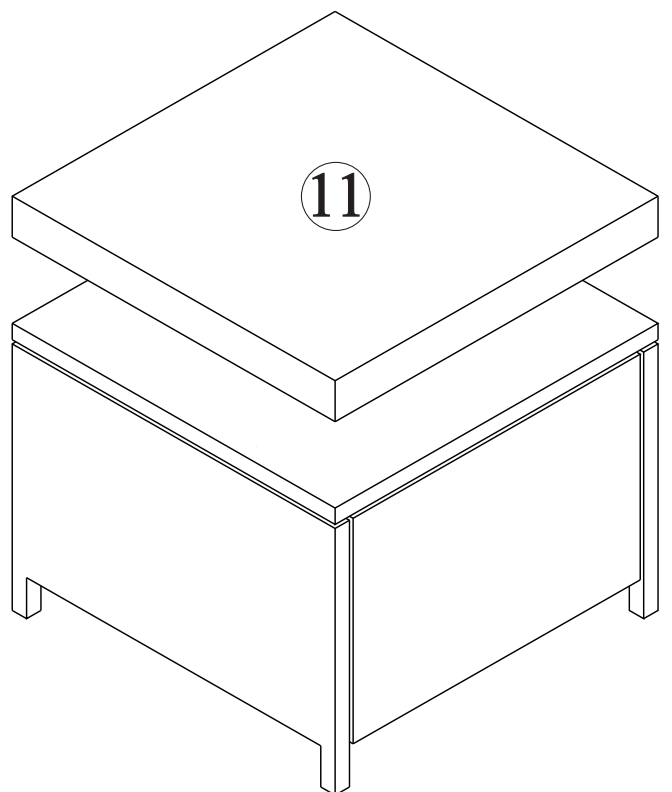
### STEP 24

Connect part from STEP 23 & Stool Seat Frame (T) with Bolt (4)



### STEP 25

Put on Stool Cushion (11) to complete the Stool



---

## Care and Maintenance

Use a soft, clean cloth that will not scratch the surface when dusting.

Use of furniture polish is not necessary.

Should you choose to use polish, test first in an inconspicuous area.

Using solvents of any kind on your furniture may damage the finish.

Liquid spills should be removed immediately. Using a soft clean cloth, blot the spill gently. Avoid rubbing.

Check bolts/screws periodically and tighten them if necessary.

## Further advice about wood furniture care

Please protect your outdoor furniture with a cover when not in use since Long-term sunlight exposure will result in the damage on the surface.

In addition to sunlight damage, wood and metal frame suffers when exposed to extremes in temperature and humidity.

Proper care and cleaning at home will extend the life of your purchase.

Following these important and helpful tips will enhance your furniture as it ages.