



### Features

- End drain.
- Integral lumbar support and armrests for comfort.
- Textured bottom surface.
- 72" (1829 mm) x 42" (1067 mm) x 20" (508 mm)

### Material

- Acrylic

### Hydrotherapy

- Single-speed whirlpool offers six fully adjustable hydro-massage jets for water flow and direction.
- Pump with air switch for whirlpool.
- Built-in 1500 W heater.

### Installation

- Drop-in

### Recommended Accessories

- K-11677 Bath Drain
- K-1491 Bath/Whirlpool Pillow
- K-1601 Bath/Whirlpool Footstop
- K-577 Undermount Install Kit
- K-24916 Wireless Music Kit
- K-7271 Brass Slotted Overflow Bath Drain



### Codes/Standards

- ASME A112.19.7/CSA B45.10
- CSA B45.5/IAPMO Z124
- UL 1795
- Greenguard UL 2818 - Gold
- CARB P2




### KOHLER® One-Year Limited Warranty

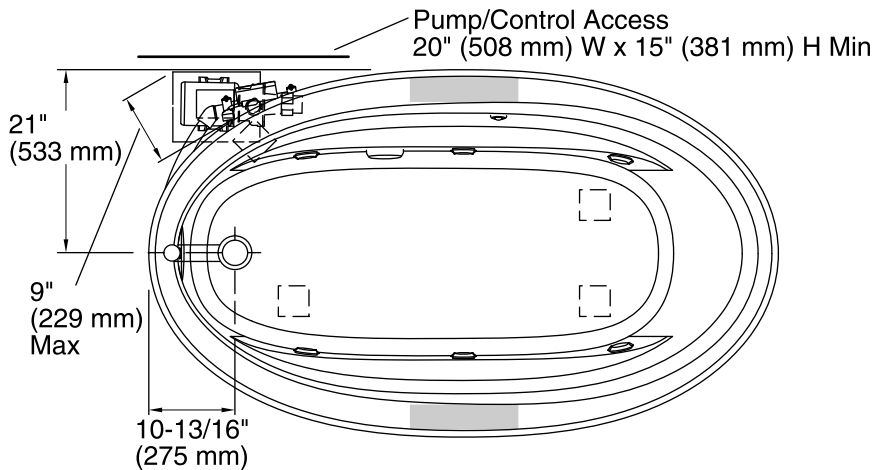
See website for detailed warranty information.

### Available Color/Finishes

*Color tiles intended for reference only.*

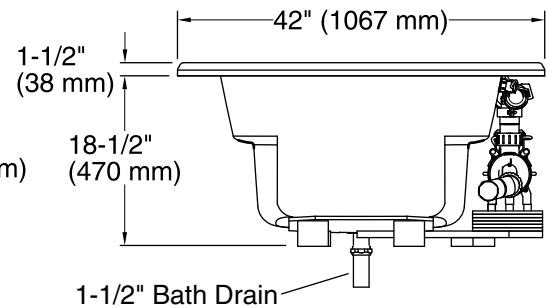
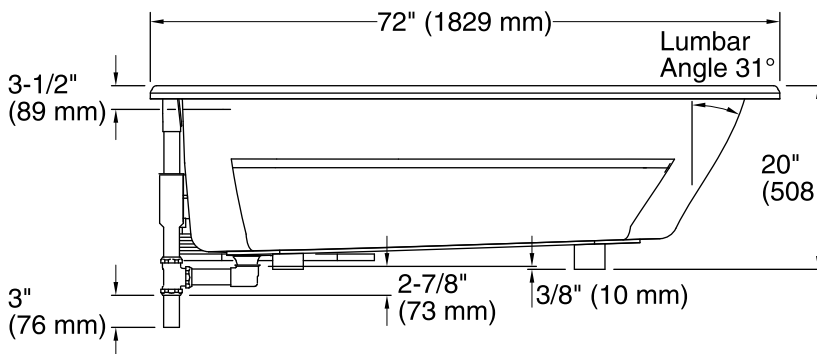
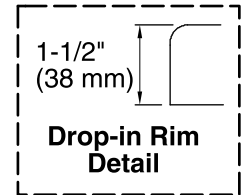
Color	Code	Description
-------	------	-------------

	0	White
	96	Biscuit
	47	Almond



No change in measurements if connected with drain illustrated. (K-11677)

Recommended faucet area



### Required Electrical Service

Two dedicated circuits required, protected with Class A Ground-Fault Circuit-Interrupter (GFCI) or Residual Current Device (RCD).

Pump: 120 V, 15 A, 60 Hz  
Heater: 120 V, 15 A, 60 Hz

### Technical Information

All product dimensions are nominal.

Installation: Drop-in  
Drain location: End  
Basin area, bottom: 55-1/4" x 23-1/2" (1403 mm x 597 mm)  
Basin area, top: 64-1/2" x 32" (1638 mm x 813 mm)  
Weight: 112 lbs (50.8 kg)  
Minimum floor load: 36 lbs/ft<sup>2</sup> (175.8 kg/m<sup>2</sup>)  
Water depth: 15" (381 mm)  
Water capacity: 75 gal (283.9 L)  
Template: Drop-in, 1042557-7, required, included  
Electrical component rating: Pump: 120 V, 7.5 A, 60 Hz  
Heater: 120 V, 12.5 A, 60 Hz, 1500 W  
Pump speed: Single

### Notes

Measure your actual product for rough-in details.

Install this product according to the installation instructions.

The hot water supply should be 70% of the capacity of the bath or greater. Installations will vary.

The pump base extends 9" (229 mm) beyond the edge of the rim. Modify the framing as needed.