

KOBALT™

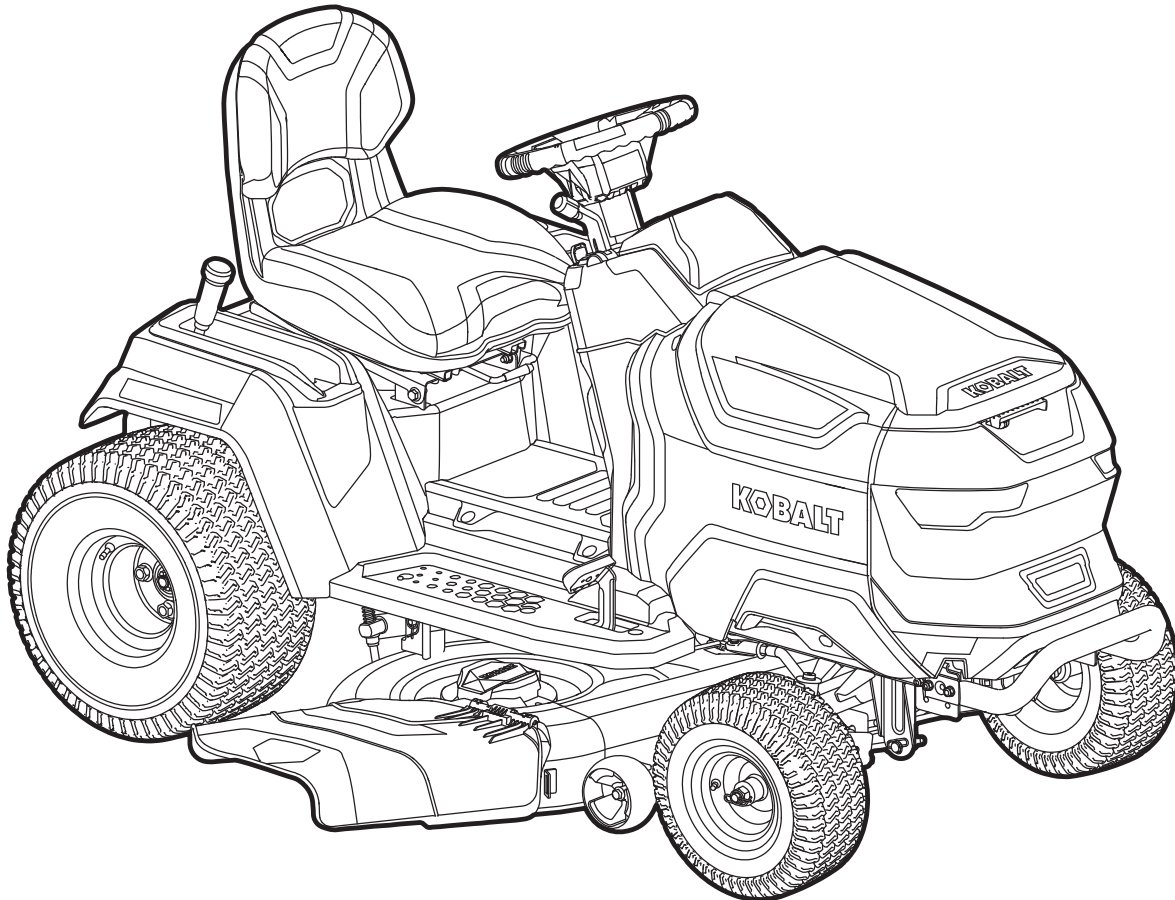
ITEM #5974766
MODEL #KLMR 4252B-03

42 IN MAX-LITHIUM RIDING LAWN MOWER

KOBALT and logo design are trademarks or registered trademarks of LF, LLC. All rights reserved.

Español p. 67

ATTACH YOUR RECEIPT HERE



Serial Number _____

Purchase Date _____

Thank you for purchasing this KOBALT product.
Questions, problems or missing parts?
Before returning, contact us on: **888-3KOBALT (888-356-2258)**, 8 a.m.- 8 p.m.,
EST, Monday - Sunday or ascs@lowes.com.

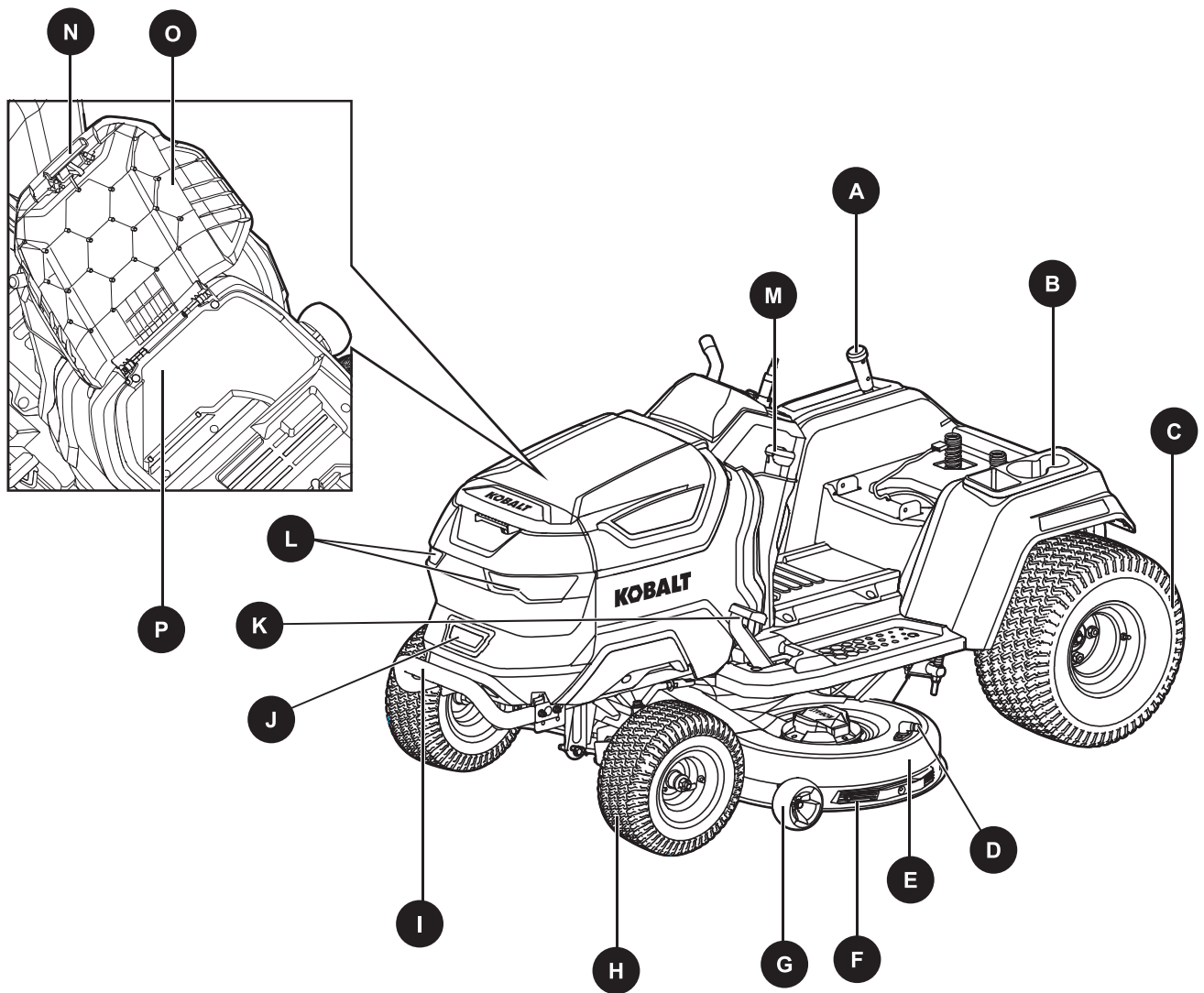
TABLE OF CONTENTS

Package Contents	3
Hardware Contents	7
Safety Information	8
Preparation	15
Assembly Instructions	17
Operating Instructions	23
Care and Maintenance	40
Troubleshooting	52
Warranty	65

PRODUCT SPECIFICATIONS

COMPONENT		SPECIFICATIONS
Voltage		52 V $\overline{\text{---}}$
Deck Size		42 in.
Wheel Size	Front	15 x 6 - 6 in.
	Rear	20 x 10 - 8 in.
"Cold" Tire Pressure	Front	14 PSI (96.5 kPa)
	Rear	10 PSI (68.9 kPa)
Blade Speed		up to 3000 RPM
Maximum Driving Speed	Forward	up to 5.5 MPH (8.8 km/h)
	Reverse	up to 2.7 MPH (4.4 km/h)
Cutting-Height Adjustment (12 positions)		1.5 – 4.5 in. (38.1 – 114.3 mm)
Maximum Towing Weight (total rolling weight)		600 lbs. (272 kg)
Ingress Protection (IP) Rating		IPX4 (Protection from splashing water)
Recommended Charging Temperature		41 °F – 104 °F (5 °C – 40 °C)
Recommended Operating Temperature		32 °F – 104 °F (0 °C – 40 °C)
Recommended Storage Temperature		-4 °F – 158 °F (-20 °C – 70 °C)
Weight		419 lbs. (190 kg)

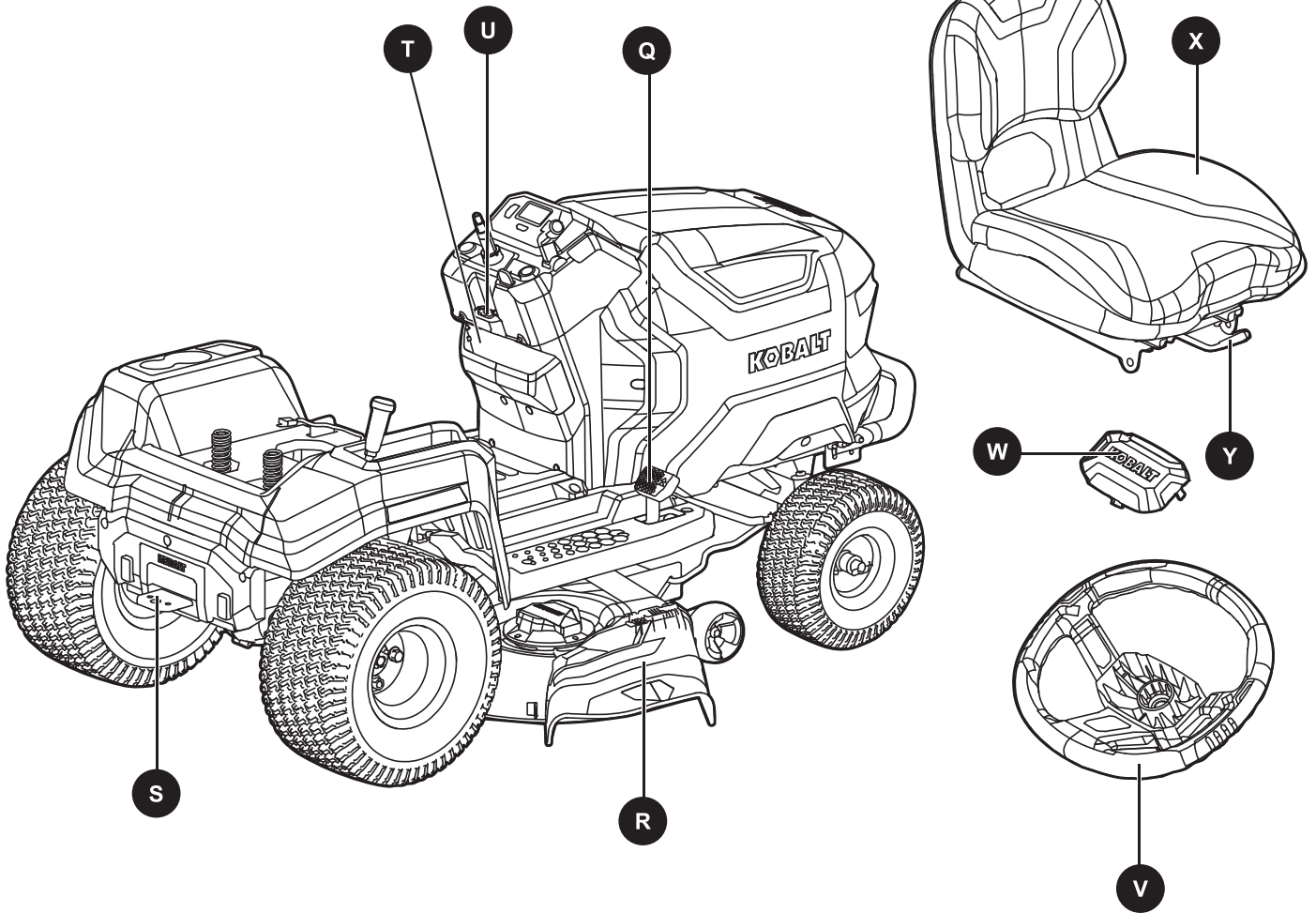
PACKAGE CONTENTS



PART	DESCRIPTION
A	Deck-height adjustment lever
B	Cup holders & Storage space
C	Rear wheel (Drive wheel) (x2)
D	Wash port
E	Deck
F	Deck protector
G	Anti-scalp wheel (x2)
H	Front wheel (x2)

PART	DESCRIPTION
I	Front bumper
J	Charging port
K	Parking-brake pedal
L	LED headlight (x2)
M	Parking-brake lock lever
N	Storage compartment cover release button
O	Storage compartment cover
P	Storage compartment- maximum capacity: 66 lbs. (30 kg)

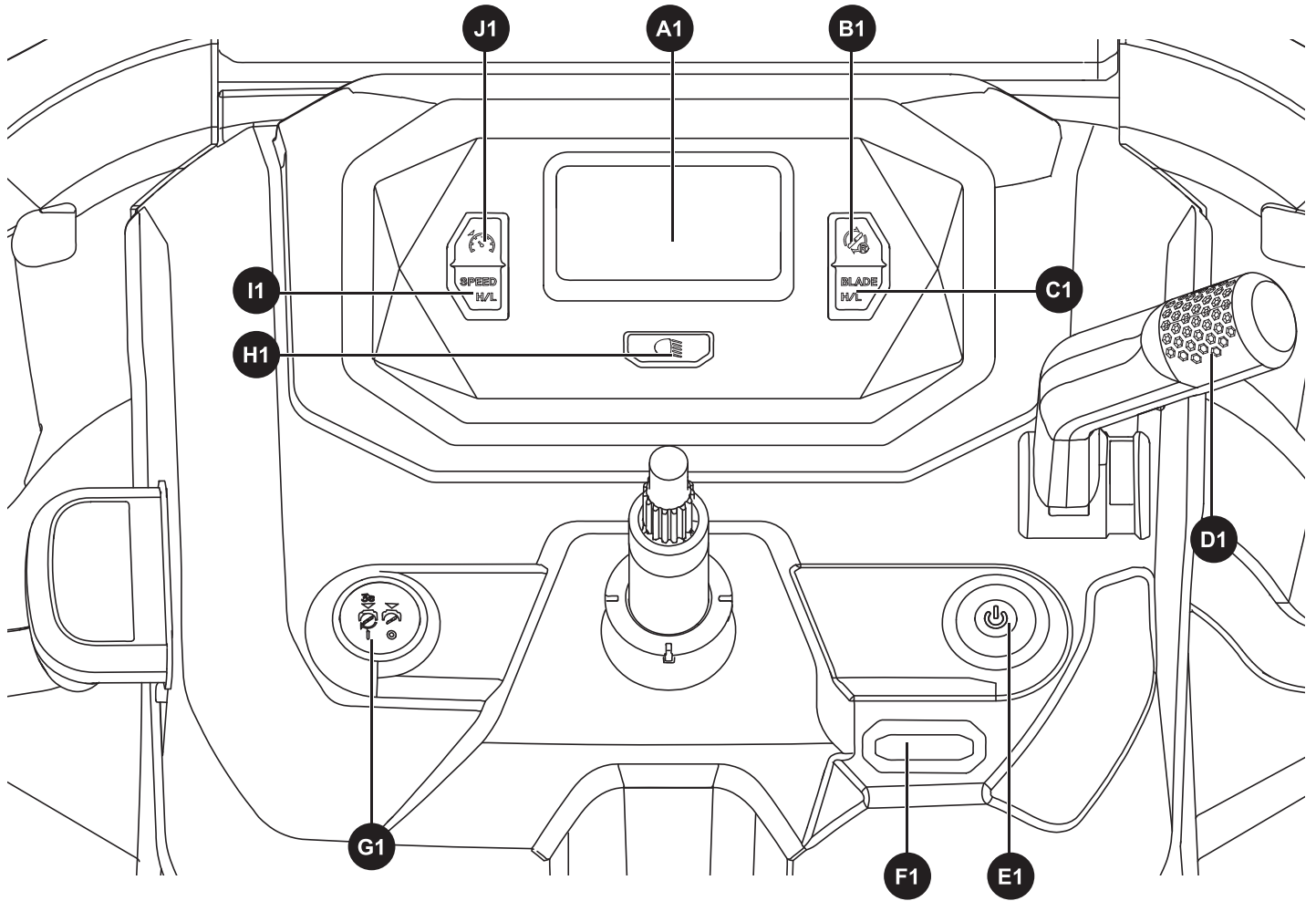
PACKAGE CONTENTS



PART	DESCRIPTION
Q	Accelerator pedal
R	Side discharge chute
S	Hitch
T	Storage box
U	USB-A port

PART	DESCRIPTION
V	Steering wheel
W	Dust cover
X	Seat
Y	Seat position adjustment lever

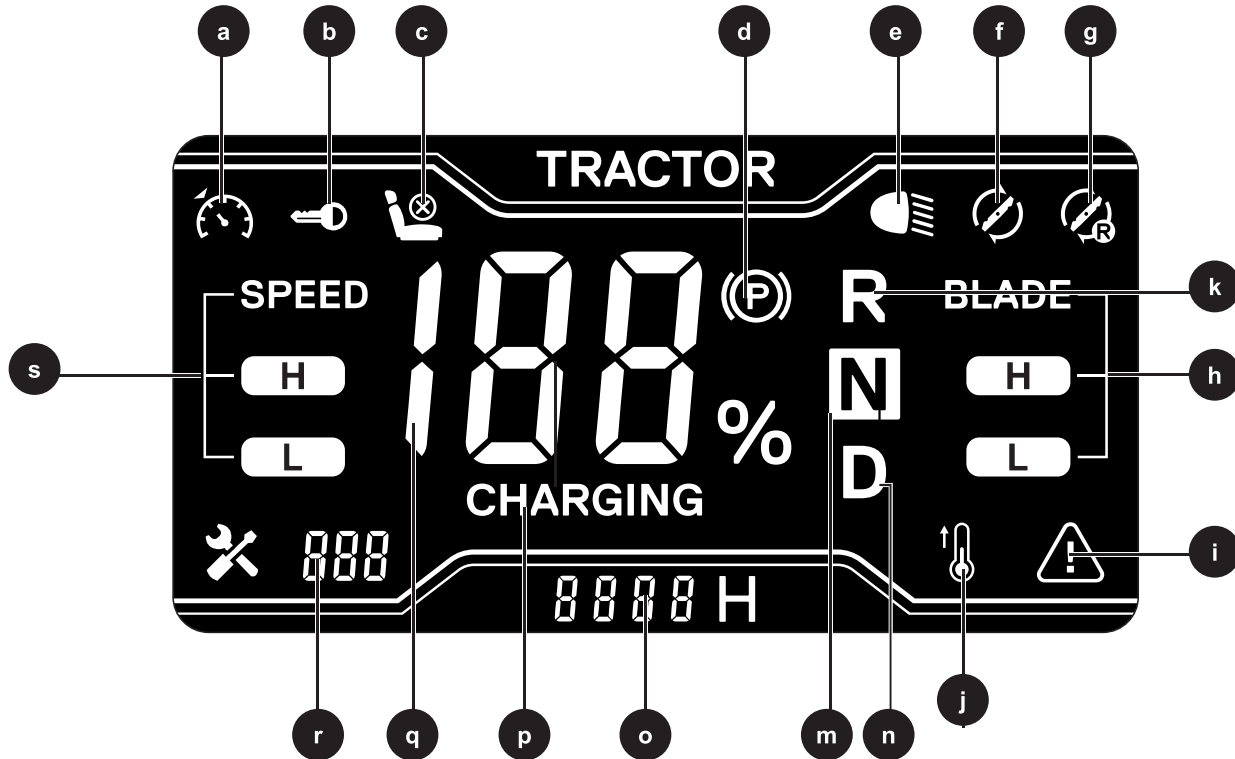
PACKAGE CONTENTS



PART	DESCRIPTION
A1	LCD screen
B1	Mowing in reverse button
C1	Blade speed adjustment button
D1	Direction control lever
E1	Start/Stop button

PART	DESCRIPTION
F1	Safety key slot (Safety key stored in tool bag)
G1	Blade on/off button
H1	LED headlights button
I1	Driving speed adjustment button
J1	Cruise control button (CCS)

PACKAGE CONTENTS



PART	DESCRIPTION
a	Cruise control icon (CCS)
b	Safety key icon
c	Seat sensor icon
d	Parking-brake icon
e	LED headlights icon
f	"Blade on" icon
g	"Mowing in reverse" icon
h	Blade speed indicator
i	Alert icon

PART	DESCRIPTION
j	Temperature icon
k	Reverse direction indicator
m	Neutral direction indicator
n	Forward direction indicator
o	Hour meter
p	"CHARGING" icon
q	Fuel gauge
r	Fault code indicator
s	Driving speed indicator

NOTE: The text "TRACTOR" on the LCD screen is equivalent to the product name "MOWER".

NOTE: Refer to the section "ICONS AND FAULT CODES ON LCD SCREEN" for more information about the icons and indicators on the LCD screen.

PACKAGE CONTENTS

WARNING:

- Remove the machine from the package and examine it carefully. Do not discard the carton or any packaging material until all parts have been examined.
- If any part of the machine is missing or damaged, do not use the machine until the part has been repaired or replaced. Failure to heed this warning could result in serious injury.

HARDWARE CONTENTS (NOT TO SCALE)

AA



M12 Nut
Qty. 1

BB



Washer
Qty. 1

CC



Step Bolt
Qty. 2

DD



M8 Nut
Qty. 2

EE



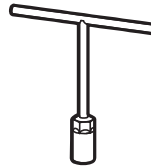
Safety Key
Qty. 2

FF



Wash-port
Quick Coupler
Qty. 1

GG



18 mm Socket
Wrench
Qty. 1

HH



Combination
Wrench
Qty. 2

SAFETY INFORMATION





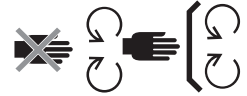



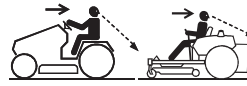



Please read and understand this entire manual before attempting to assemble and operate the product.

WARNING:

- The operation of any power tool can result in foreign objects being thrown into your eyes, which can result in severe eye damage. Before beginning power-tool operation, always wear safety goggles or safety glasses with side shields and a full-face shield, when needed. We recommend using a wide vision safety mask over eyeglasses or standard safety glasses with shields. Always use eye protection marked to comply with ANSI Z87.1.

SAFETY INFORMATION

Some of the following symbols may be used on this machine. Please study them and their meaning. Proper interpretation of these symbols will allow you to operate the machine better and more safely.

SYMBOL	DEFINITION	SYMBOL	DEFINITION
V	Volts	 or d.c.	Direct Current
	A danger, warning, or caution. It means 'Attention! Your safety is involved.'		To reduce the risk of injury, user must read instruction manual.
	Always wear safety goggles or safety glasses with side shields and a full face shield when operating this product.		Do not open or remove safety shields while the product is running.
	To reduce the risk of injury, keep hands and feet away from rotating parts. Do not operate unless discharge cover or grass bag is in its proper place. If damaged, replace immediately.		Do not mow when children or others are around.
	Never carry children or anyone, even when the blades are off.		Always look down and behind you before and when maneuvering in reverse or turning around. Make sure children, bystanders, and pets are clear of the area.
	Use extra caution on slopes. Do not mow slopes greater than 15 degrees. Do not use on slopes near open water.		Remove objects that can be thrown by the blade in any direction. Wear safety glasses.
	Stay at least two mowing widths (7 ft / 2.13 m) away from any ditches, drop-offs, or water to avoid accident going over the edge or into the water.		

SAFETY INFORMATION

SAFETY INSTRUCTIONS FOR LAWN MOWER

DANGER:

- This machine is capable of amputating hands and feet and throwing objects. Failure to observe the following safety instructions could result in serious injury or death.

WARNING:

- Do not expose the mower to fire or excessive temperature. Exposure to fire or temperature above 265°F (130°C) may cause explosion.

General Information

- Read, understand, and follow instructions and warnings in this manual and on the machine and attachments.
- Only allow persons who are responsible, trained, familiar with the instructions, and physically capable to operate the machine.
- Do not carry passengers and keep bystanders away.
- Do not operate the machine while under the influence of alcohol or drugs.
- Follow the manufacturer's recommendation for wheel weights or counterweights.

Preparation before Operating

- Clear the operating area of any objects which could be thrown by or interfere with operation of the machine.
- Keep the area of operation clear of all bystanders, particularly small children. Stop the machine and attachment(s) if anyone enters the area.
- Do not operate the machine without the entire grass catcher, discharge chute, or other safety devices in place and functioning properly. Check frequently for signs of wear or deterioration and replace as needed.
- Wear appropriate personal protective equipment such as safety glasses, hearing protection, and footwear.

Operation

- Only operate the machine in daylight or good artificial light.
- Avoid holes, ruts, bumps, rocks, or other hidden hazards. Uneven terrain could overturn the machine, or cause operator to lose their balance or footing.
- Do not put hands or feet near rotating parts or under the machine. Keep clear of the discharge opening at all times.
- Do not direct discharge material toward anyone. Avoid discharging material against a wall or obstruction. Material may ricochet back toward the operator. Stop the blade(s) when crossing gravel surfaces.
- Do not leave a running machine unattended. Always park on level ground, disengage the attachment, set parking brake, and stop the motor.


SAFETY INFORMATION

- Do not mow in reverse unless absolutely necessary. Always look down and behind before and while backing.
- Avoid mowing wet grass. Mowing on wet surfaces can cause loss of control and the wheels to sink into the soft lawn.
- If situations occur that are not covered in this manual, use care and good judgment. Contact Kobalt customer service for assistance.

Children Specific

- Tragic accidents can occur if the operator is not alert to the presence of children. Children are often attracted to the machine and the mowing activity. Never assume that children will remain where you last saw them.
- Keep children out of the operating area and under the watchful care of a responsible adult other than the operator.
- Do not carry children, even with the blade(s) shut off. Children could fall off and be seriously injured or interfere with safe machine operation. Children who have been given rides in the past could suddenly appear in the mowing area for another ride and be run over or backed over by the machine.

Slope Specific

 **WARNING:** Slopes are a major factor related to accidents. Operation on slopes requires extra caution.

- Travel in the manufacturer recommended direction on slopes. Use caution while operating near drop-offs.
- Do not operate machine under any condition where traction, steering, or stability is in question. Tires could slide even if the wheels are stopped.
- Always keep the machine in gear when going down slopes. Do not coast downhill.
- Avoid starting and stopping on slopes. Avoid making sudden changes in speed or direction. Make turns slowly and gradually.
- Use extra care while operating machine with a grass catcher or other attachment(s). They can affect the stability of the machine.

Hauling


- Use proper width ramps for loading and unloading a machine for transport.


Transport

- The machine is heavy and can cause serious crushing injuries. Be extra cautious when it is loaded on or unloaded from a vehicle or trailer.
- Use proper width ramps for loading machine into a trailer or truck.
- Use an approved trailer to transport the machine. Engage the electric park brake by releasing the accelerator pedal and with the parking-brake lock lever pulled up, fully depress the parking-brake pedal to engage the parking brake. Fasten the machine down with approved devices such as bands, chains, or straps.

SAFETY INFORMATION

- Both front and rear tie down straps must be used and directed down and out from the machine.

 **DANGER:** Use extreme caution when loading the machine into a truck or trailer using ramps. There is the possibility of serious injury or death if the machine falls off the ramps.


 **WARNING:** The parking-brake is not sufficient to lock the machine in place during transport. Ensure that the machine is well fastened to the transport vehicle. Always reverse the machine onto the transport vehicle to avoid tipping it over.

- Do not operate this machine on public roadways.
- Check and abide by local traffic regulations before transporting the machine on roads.
- Do not tow this machine, it may cause damage to the drive system.
- To reduce the risk of injury and property damage, NEVER drive the machine up or down the ramp. Do not lift! The machine is not intended to be lifted by hand.
- When loading or unloading this machine, do not use more than the maximum recommended operation angle of 15 degrees.

Towing

- **Do not tow a cart that exceeds 600 lbs. (272 kg) total rolling weight.** The weight of the cart and other specifications are included in the owner's manual supplied with your cart.
- **Attach towed cart only to the hitch.** Risk of personal injury or property damage.
- **Never allow children or other persons in or on towed cart.** Risk of personal injury.
- **Do not tow on inclines.** The weight of the towed cart may cause loss of traction, loss of control and the ability to stop when towing on inclined surface.
- **Always use extra caution when towing with your mower.** Make wide turns to avoid jack-knifing. Use care when reversing.
- **Drive at slow speed and allow extra distance to stop.**
- **Do not tow near ditches, canals, and other hazards.** There is a risk of loss of traction or control.
- **Follow all the warnings and instructions provided by the cart manufacturer.** Failure to follow all instructions may result in personal injury or property damage.
- **Follow the manufacturer's recommendation for weight limits for towed equipment and towing on slopes.**

Service

 **WARNING:** Grass bag components, the side discharge chute, and mulching plug are subject to wear and damage, which could expose moving parts or allow objects to be thrown and could increase the risk of injury. For safety protection, frequently check all components and replace damaged components immediately with identical replacement parts, listed in this manual.

- Keep machine in good working order. Replace worn or damaged parts. Periodically check the motor and brakes.
- Use caution when servicing blades. Wrap the blade(s) or wear gloves. Replace damaged blades. Do not repair or alter blade(s).
- Always stop the motor and remove the safety key before servicing, cleaning, or removing material from the lawn mower.

SAFETY INFORMATION

- After striking a foreign object, stop the motor, remove the safety key, allow the blade(s) to stop rotating, and thoroughly inspect the lawn mower for any damage. Repair the damage before operating the lawn mower.
- Have your lawn mower serviced by a qualified repair person using only identical replacement parts. This will ensure that the safety of the lawn mower is maintained.
- Follow instructions for changing accessories.
- Keep the lawn mower free from accumulation of grease, dirt, and other possibly combustible materials.
- Keep all nuts, bolts, and screws tight to be sure the lawn mower is in safe working condition.
- Never remove or tamper with safety devices. Regularly check their proper operation. Never do anything to interfere with the intended function of a safety device or to reduce the protection provided by the safety device.
- Maintain or replace safety and instruction labels, as necessary.
- Recharge only with the charger specified by the manufacturer. A charger that is suitable for one type of battery pack may create a risk of fire when used with another battery pack.
- Do not charge lawn mower in rain, or in wet locations.
- Do not use battery-operated lawn mower in rain.
- Do not wash the lawn mower with a hose; avoid getting water in the motor and electrical connections.
- Store idle lawn mower indoors - When not in use, lawn mower should be stored in an indoor, dry, and locked-up place and out of reach of children.

Additional Warnings

- The battery pack is integrated with the product and should not be removed from the product.
- Use only with the KOBALT battery charger KRC 752-03.
- The charger manual is provided separately and includes specific safety rules and operating instructions. Please refer to the charger manual for safety rules and detailed operating instructions.

FCC Statement

- a This device complies with Part 15 of the FCC Rules. Operation is subject to the following two conditions:
 - a) This device may not cause harmful interference.
 - b) This device must accept any interference received, including interference that may cause undesired operation.
- b Changes or modifications not expressly approved by the party responsible for compliance could void the user's authority to operate the equipment.

NOTICE: This equipment has been tested and found to comply with the limits for a Class B digital device, pursuant to Part 15 of the FCC Rules. These limits are designed to provide reasonable protection against harmful interference in a residential installation. This equipment generates, uses, and can radiate radio frequency energy and, if not installed and used in accordance with the instructions, may cause harmful interference to radio communications. However, there is no guarantee that interference will not occur in a particular installation. If this equipment does cause harmful interference to radio or television reception, which can be determined by turning the equipment off and on, the user is encouraged to try to correct the interference by one or more of the following measures: Reorient or relocate the receiving antenna. Increase the separation between the equipment and receiver. Connect the equipment into an outlet on a circuit different from that to which the receiver is connected. Consult the dealer or an experienced radio/TV technician for help.

PREPARATION

Know Your Lawn Mower

Your mower has been designed for the purposes listed below:

- Mowing your lawn

Before beginning assembly of product, make sure all parts are present. Compare parts with package contents list and hardware contents list. If any part is missing or damaged, do not attempt to assemble the product.

Tools Required for Unpacking:

- Scissors or side cutters (not supplied)
- Two combination wrenches (supplied)

Tools Required for Assembly and Adjustment:

- Two combination wrenches (supplied)
- One 18 mm socket wrench (supplied)

WARNING:

- Do not allow familiarity with the mower to cause carelessness. Remember that one careless moment is enough to cause severe injury.
- Before attempting to use any machine, be sure to become familiar with all of the operating features and safety instructions.
- Do not attempt to modify this machine or create accessories not recommended for use with this machine. Any such alteration or modification is misuse and could result in a hazardous condition leading to possible serious personal injury.

1. Unpacking

WARNING:

- To reduce the risk of injury or mower damage, do not use a knife to cut the nylon straps. Use scissors or side cutters.

WARNING:

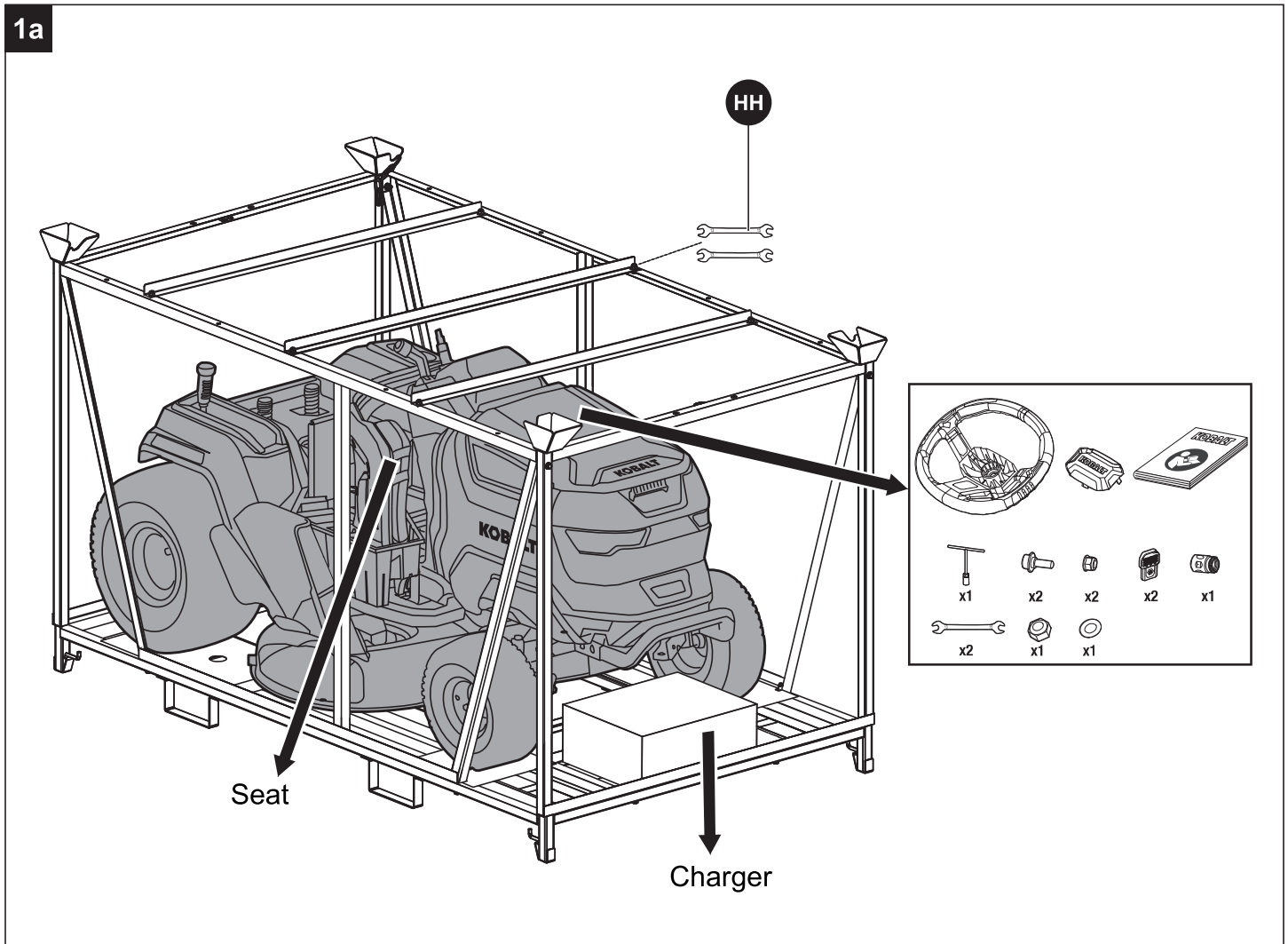
- To reduce the risk of damage, remove watches or other fragile and valuable items from your wrists. There's a risk of accidental contact with steel frame elements.

- a. Remove the plastic cover from the frame and paper cover from the top of the frame.
- b. Use the 13 mm ends of the combination wrenches (HH) to remove all 18 bolts that hold together the frame (Fig. 1a), then remove the frame.

NOTE: To simplify and speed up the process, use an impact wrench with a 1/2 in (13 mm) socket (not supplied).

- c. Open the storage compartment cover, take out the steering wheel, accessories, and manual.
- d. Cut the nylon straps, remove the charger box and seat.

PREPARATION



- e. Remove and set aside all accessible packaging and wrapping material. Do not discard the packing material until you have carefully inspected the product.
- f. If a suitable full-width ramp is available, position it against the bottom frame, close to the front wheels. Do not exceed the maximum recommend operating angle of 15°. The mower can be removed from the frame without a ramp. Two pieces of 2x4 lumber help reduce the “drop” from the bottom frame to the ground.
- g. Press the parking-brake pedal (K) to release it from the parking-brake position. A significant effort is required to release the parking-brake pedal by hand. Push hard!

⚠ CAUTION: Heavy object. Team push required. At least two persons are required to push this mower off of the steel frame.

- h. Grasp the rear corners and the areas around the seat of the mower simultaneously on both sides and slowly push the mower off of the steel frame in the forward direction (Fig. 1b).

NOTICE: ONLY PUSH THE MOWER FORWARD. Pulling the mower backward from the steel frame may cause damage to the mower’s cutting deck. Always remove the mower from the frame in the forward direction!

PREPARATION


NOTICE: The mower must be transported on the bottom frame at all times! Fork lift should never come in direct contact with the mower! Doing so may cause damage. We recommend to keep the bottom frame to facilitate the transportation of the mower later for service.

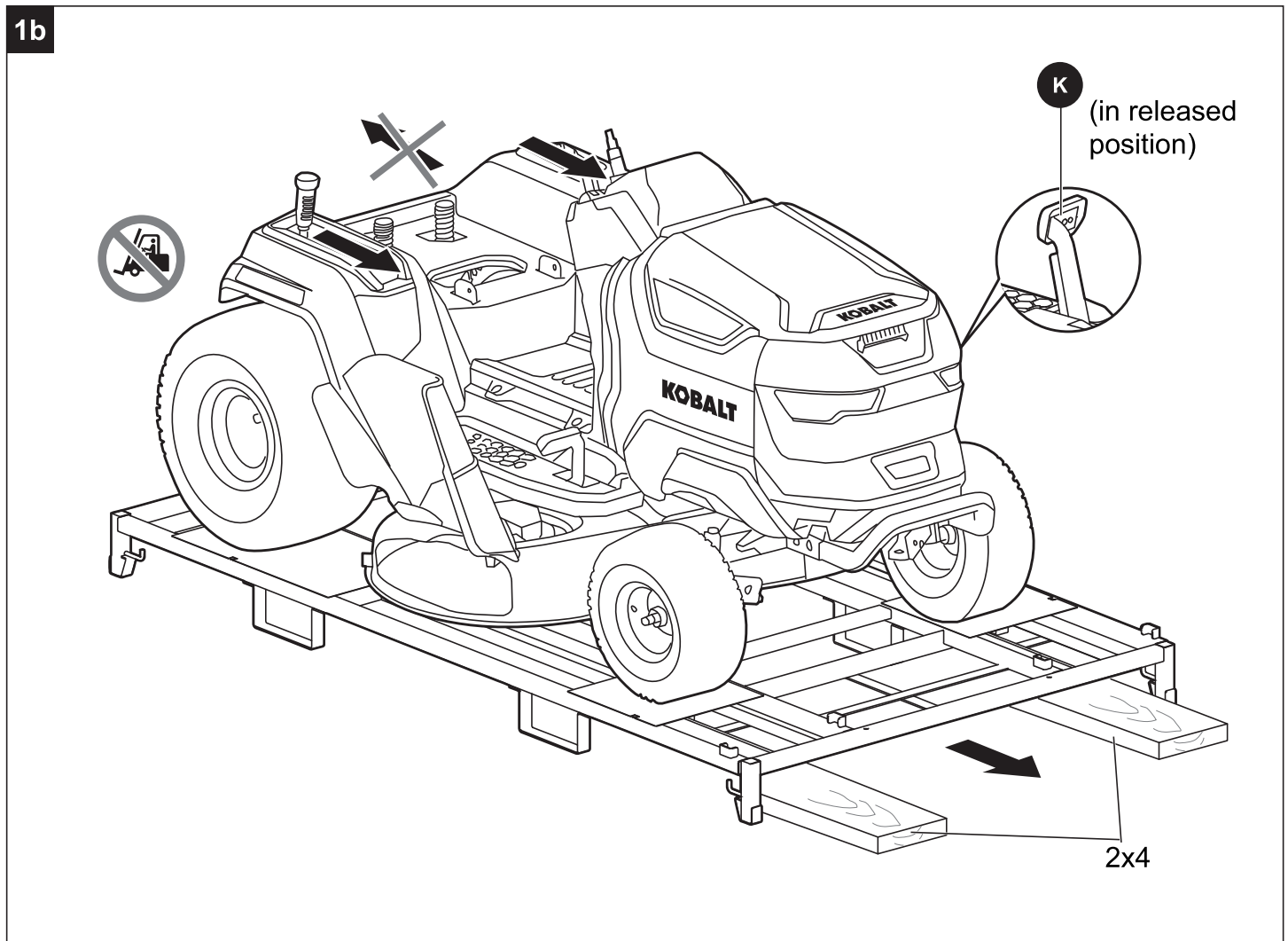
i. Cut the nylon strap securing the side discharge chute once the mower is on the ground.

⚠ WARNING: Do not use this product if any parts are already assembled to your product when you unpack it. Parts on the packing list are not assembled to the product by the manufacturer and require customer installation. Use of a product that may have been improperly assembled could result in serious personal injury.

- Inspect the product carefully to make sure that no breakage or damage occurred during shipping.
- If any parts are damaged or missing, please contact Kobalt customer service.

Hardware Used

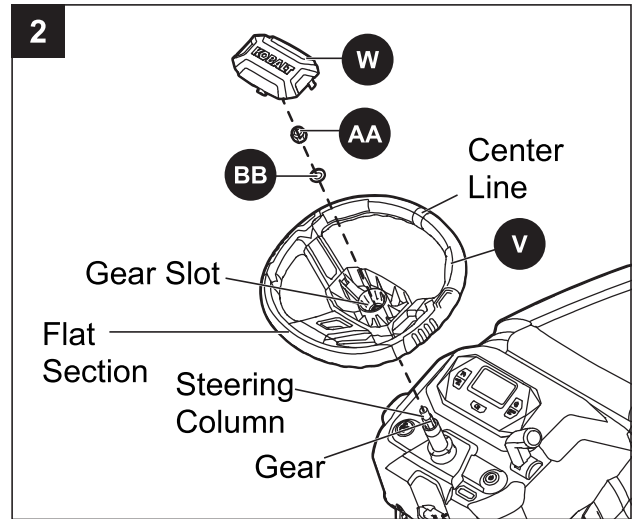
HH Combination Wrench  x 2





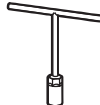
ASSEMBLY INSTRUCTIONS

2. Installing the Steering Wheel

- Remove the washer (BB), and M12 nut (AA) from the accessory bag and set them aside.
- With the front wheels of the mower pointing straight forward, mount the steering wheel (V) onto the steering column by keeping the center line pointing straight ahead and the flat section facing toward the seat.
- Slightly rotate the steering wheel (V) until the gear slot of the mounting hole is aligned with gear of the steering column.
- Assemble the washer (BB) and nut (AA). Securely tighten them using the 18mm socket wrench (GG). The recommended torque is 29.5-33.2 ft-lbs. (40-45 Nm).
- Snap the dust cap (W) onto the steering wheel (V) properly.



Hardware Used

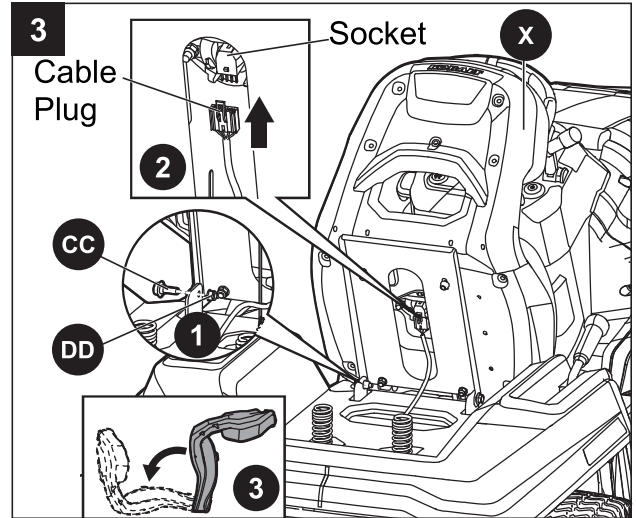
AA	M12 Nut		x 1
BB	Washer		x 1
GG	18 mm Socket Wrench		x 1

ASSEMBLY INSTRUCTIONS

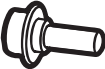


3. Installing the Seat

The mower incorporates a safety interlock system that will stop the drive motors and blade motors when the operator is unseated for any reason while the mower is operating. This is a safety feature designed to prevent runaway or accidental entanglement.

- a. Remove the two sets of step bolt (CC) and M8 nut (DD) from the accessory bag and set them aside.
- b. Lay the seat (X) on its front and align the two mounting holes with the holes in the suspension base.
- c. Insert the two sets of bolt (CC) and nut (DD) and securely tighten them using the combination wrenches (HH). The recommended torque is 13.3–14.8 ft-lbs. (18–20 Nm).
- d. Insert the cable plug into the socket on the bottom of the seat. This connects the safety interlock system.
- e. Rotate the seat to lay it onto the suspension base.



Hardware Used

CC	Step bolt		x 2
DD	M8 Nut		x 2
HH	Combination Wrench		x 2

ASSEMBLY INSTRUCTIONS

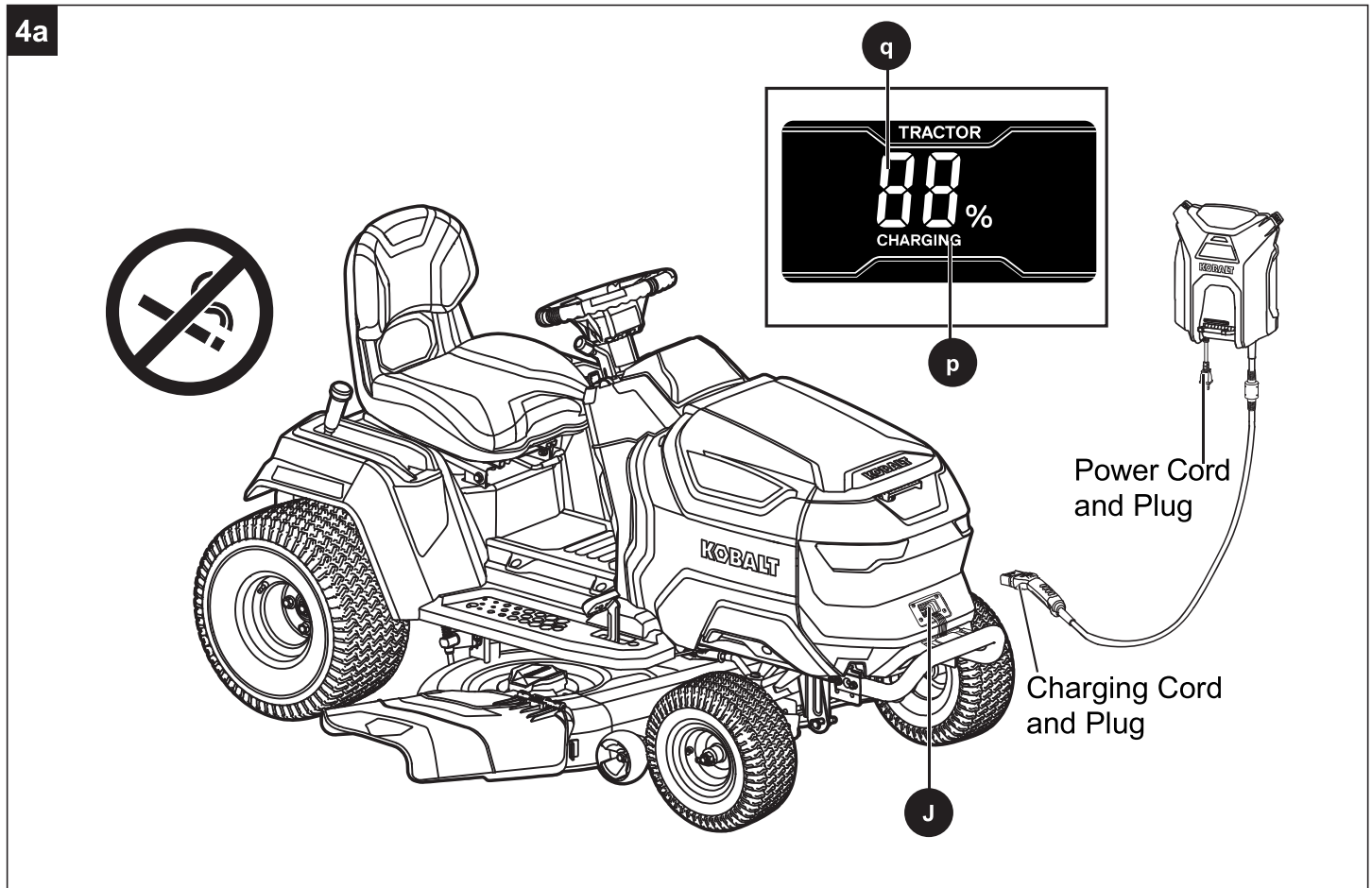
4. Charging the Mower

Charge the mower before first use!

NOTICE: The battery pack is integrated with the product and should not be removed from the product.

⚠ CAUTION: DO NOT attempt to charge the mower with a charger not designed for use with this product.

Use only KOBALT battery charger KRC 752-03 to charge the mower.



- Make sure that the mower comes to a complete stop, turn off the mower, engage the parking brake, and remove the safety key (EE).
- Lift the dust cap from the battery charging port (J) on the mower, remove the rubber cover and connect the charging plug into the port.

NOTE: The plug will only fit one way into the port. Make sure it is properly aligned before inserting.

- Plug the power cord of the charger into a standard 120 V household outlet.
- The charger will start charging the battery. The audio indicator will beep once, the "CHARGING" icon (p) will illuminate on the LCD screen (A1) and the fuel gauge (q) will display the charge level.
- As soon as the battery is fully charged, the fuel gauge (q) will display "100%", and the "CHARGING" icon (p) will disappear from the LCD screen (A1). Disconnect the power cord plug from the wall outlet and remove the charging plug from the charging port (J).
- Attach the rubber cover and make sure the charging port (J) is properly covered by the dust cap to protect the charging port from water, moisture, or dust.

ASSEMBLY INSTRUCTIONS

⚠ WARNING:

- Refer to the manual included with the charger for detailed instructions. Read and understand all its safety warnings and instructions. Failure to follow them may result in electric shock, fire, and/or serious injury.

⚠ WARNING:

- Do not smoke while charging the mower.

⚠ WARNING:

- The mower should be charged in a covered area out of the rain or indoors.

NOTE:

- The battery does not develop a memory and does not need to be fully discharged before recharging.
- Every six months of long-term storage, fully charge the battery for longest possible battery life.
- When charging, be sure that the charger cooling fan inlet and outlet are not blocked.

Low power mode

When battery charge becomes critically low, the mower will go into low power mode to preserve enough power to travel back to the charging area:

- The blades will switch into low rotation speed, which could only cut very little amount of grass. Upon encountering tall and dense grass, the blades will stop rotating. The audio indicator will sound (beep) intermittently. The blade on/off button (G1) light will flash. The "blade on" icon (f) will flash on the LCD screen (A1).
- The fuel gauge (q) will be replaced with flashing low battery message on the LCD screen.

The operator should:

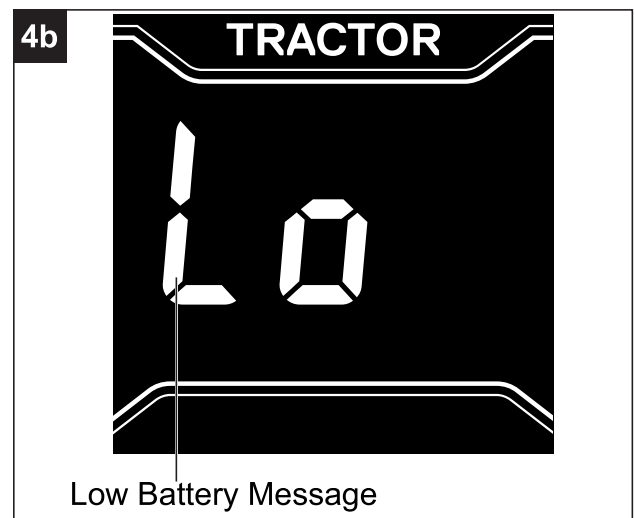
- Press the blade on/off button (G1) to turn off the blade motors. The audio indicator will stop sounding, the blade on/off button light will turn off, and the "blade on" icon (f) will disappear from the LCD screen when the blade motors stop.
- Stop working and get to the charging area as soon as possible. The maximum distance the mower can travel is approx. 0.6 mile (0.96 km).

When the battery is nearly depleted, the mower will stop working immediately. The operator will have to transport the mower to the charging area for charging.

NOTICE: If manual pushing is needed, be sure that the mower is completely turned off, the safety key (EE) is removed, and the parking-brake pedal (K) is released from the parking-brake position.

⚠ WARNING:

- Do not attempt to drive across roads or railways when battery charge level is low.



ASSEMBLY INSTRUCTIONS

5. Testing the Safety Interlock System

Inspect the entire product for damaged, missing, or loose parts such as screws, nuts, bolts, caps, etc. Tighten securely all fasteners and caps and do not operate this product until any missing or damaged parts are replaced.

The mower incorporates a safety interlock system that will stop the drive motor and blade motors when the operator is unseated for any reason while the mower is operating. This is a safety feature designed to prevent runaway or accidental entanglement. Test the system to be sure it is working correctly.

To test the blade operation

- Position the mower on a level surface.
- Sit down on the mower seat (Fig. 5a).
- Insert the safety key (EE) into the mower. Press the start/stop button (E1) for more than 3 seconds to illuminate the LCD screen. The LCD screen will illuminate indicating that the mower is ready for operation.

NOTE: If the parking-brake pedal (K) is disengaged from the parking-brake position, you need to fully depress the parking-brake pedal (K) by foot and press the start/stop button (E1) for more than 3 seconds simultaneously.

- Press the blade on/off button (G1) for more than 3 seconds to turn on the blade motors (Fig. 5b), then release the blade on/off button.
- Slowly raise yourself off the seat, but do not get off the mower. The blade motors should stop.

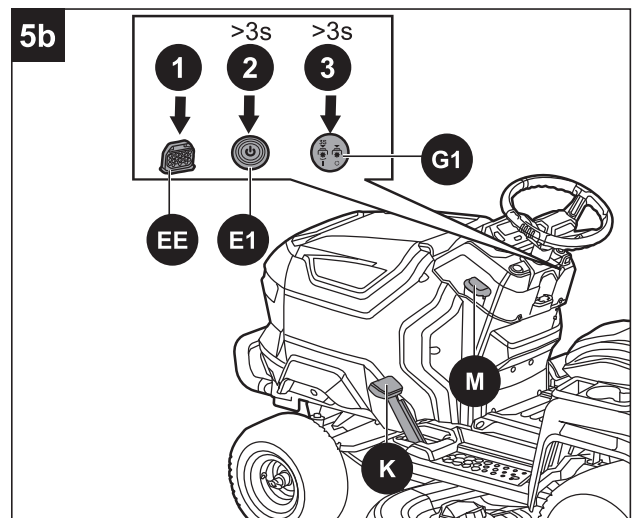
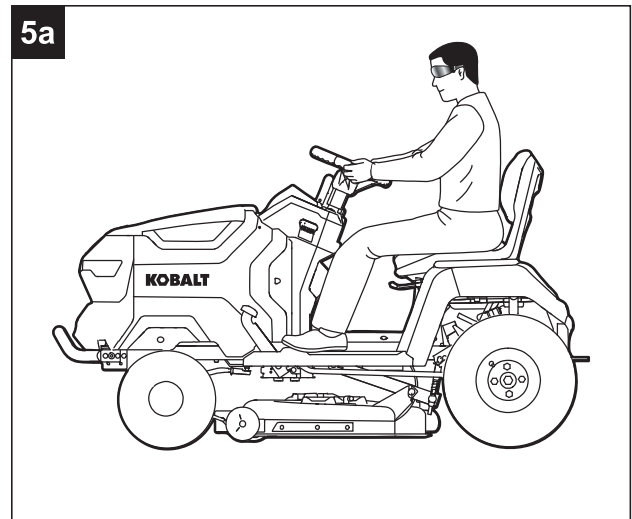
NOTICE: If the deck-blade system fails to stop when the operator is off of the seat:

- Press the blade on/off button (G1) again to turn off the blade motors.
- With the parking-brake lock lever (M) pulled up, fully depress the parking-brake pedal (K) to engage the parking-brake.
- Remove the safety key (EE).
- Lift the back of the seat and verify that the socket and the plug are properly connected. Refer to step 'd' in chapter "Installing the Seat".

If the cause cannot be determined after confirming the plug and socket are properly connected, contact Kobalt customer service immediately.

⚠ WARNING:

- DO NOT operate the mower until the safety interlock system has been repaired by a qualified service technician.



ASSEMBLY INSTRUCTIONS

To test-drive the mower

- While still seated on the mower, make sure it is on (LCD screen is illuminated) and (if engaged) disengage the parking brake by fully depressing the parking-brake pedal (K) until the parking-brake lock lever (M) drops.
- Press the driving speed adjustment button (I1) to set the driving speed to the low level.
- Pull the direction control lever (D1) backward in the “D” direction to drive forward.
- Depress the accelerator pedal (Q) to drive the mower (Fig. 5c).

NOTE: If the mower does not move, the parking-brake icon (d) will flash on the LCD screen, which indicates that you should fully depress the parking-brake pedal (K) and release it, and then depress the accelerator pedal (Q) to drive the mower.

- While the mower is moving, slowly raise yourself off of the seat. The driving system should stop the mower.

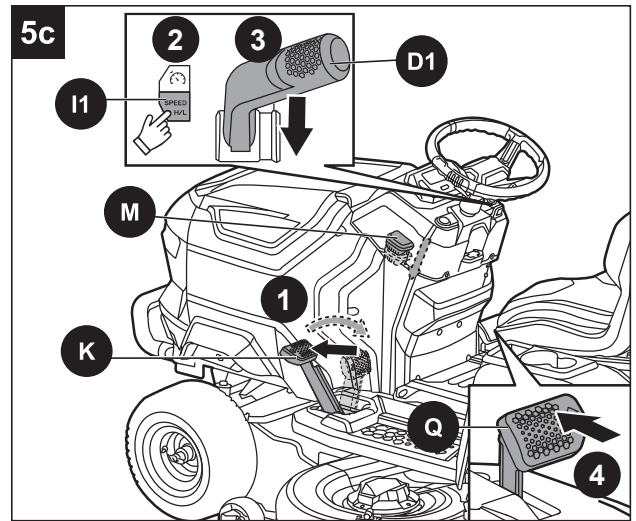
NOTICE: If the driving system fails to stop when the operator is off of the seat:

- Release the accelerator pedal (Q) to stop the mower.
- With the parking-brake lock lever (M) pulled up, fully depress the parking-brake pedal (K) to engage the parking-brake.
- Remove the safety key (EE).
- Lift the back of the seat and verify that the socket and the plug are properly connected. Refer to step 'd' in chapter “**Installing the Seat**”.

If the cause cannot be determined after confirming the plug and socket are properly connected, contact Kobalt customer service immediately.

⚠ WARNING:

- DO NOT operate the mower until the safety interlock system has been repaired by a qualified service technician.



OPERATING INSTRUCTIONS

⚠ WARNING:

- **Do not allow familiarity with this product to make you careless.** Remember that a careless fraction of a second is sufficient to inflict serious injury.
- **Do not use any attachments or accessories not recommended by the manufacturer of this product.** The use of attachments or accessories not recommended can result in serious personal injury.
- **Before performing any adjustment, stop the mower on a level surface and wait for the blades to come to a complete stop. With the parking-brake lock lever (M) pulled up, fully depress the parking-brake pedal (K) to engage the parking brake, then remove the safety key (EE) to avoid accidental starting and possible serious personal injury.**

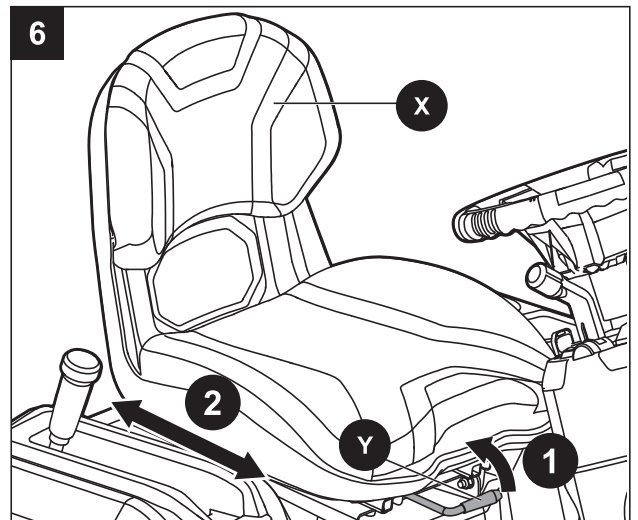
6. Adjusting the Seat

⚠ DANGER: Be sure the seat is secured to the mower with the step bolts before operating the mower. A seat that is not secured can cause the operator to lose control of the mower and result in possible death or serious personal injury.

Adjust the seat position to ensure you are able to make firm contact with the parking-brake pedal and the accelerator pedal before operating the mower.

The seat can be adjusted forward and rearward by rotating the seat position adjustment lever (Y) under the seat up.

- a. Rotate the seat position adjustment lever (Y) up and hold it, then move the seat (X) forward or backward to the desired position.
- b. Release the seat position adjustment lever (Y) and ensure that the seat (X) is locked in position.

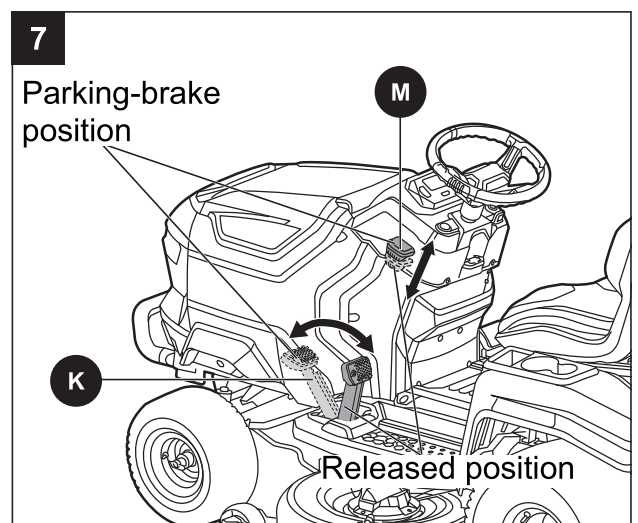


7. Setting the Parking Brake

The parking-brake pedal (K) can be used to set the mower in the parking-brake position. To start the mower, it should be released from the parking-brake position.

To set the parking brake:

- a. Stop the mower on a level surface.
- b. With the parking-brake lock lever (M) pulled up, fully depress the parking-brake pedal (K) until the pedal stops rebounding.
- c. Release the parking-brake lock lever (M). Remove your foot from the parking-brake pedal (K).
- d. **To release the parking brake,** depress the parking-brake pedal (K) once again; the pedal will rebound to the released position and the parking-brake lock lever (M) will drop to released position.



OPERATING INSTRUCTIONS

⚠ WARNING:

- The parking-brake pedal cannot slow down the driving speed. Never try to depress the parking-brake pedal to slow down the driving speed during driving. When the parking-brake pedal is depressed but is not engaged in the parking-brake position, the electric brake is no longer effective and the mower will stop moving on a flat surface. But if this happens on a slope, the mower may slide down the slope once the parking-brake pedal is released.

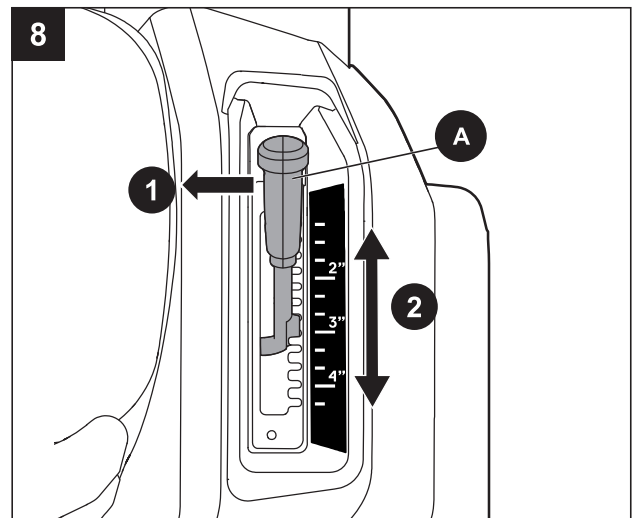
⚠ WARNING:

- Never leave the mower unattended during work breaks without verifying that the parking brake is set and the safety key (EE) is removed. Failure to set the parking brake could cause the mower to move. Leaving the safety key in place may allow unauthorized use that could result in serious personal injury.

8. Adjusting the Cutting-Deck Height

Prior to mowing, the deck (E) should be adjusted to sufficient height to avoid stumps, rocks, or other obstacles that can damage the mower deck.

- a. Grasp the deck-height adjustment lever (A) and move it inwards to disengage it from the detent.
- b. Move the lever (A) forward to decrease the cutting height or backward to increase the cutting height. Engage the lever (A) into the detent when it arrives at the desired cutting height.



⚠ DANGER:

- Never attempt to make any adjustments to the mower deck while the mower is driving or the blade motors are turned on. Mower blades cannot be seen and are located very close to the deck housing. Fingers and toes can be cut off instantly.

⚠ WARNING:

- Hold the deck-height adjustment lever (A) firmly when setting the deck height and only release when it is securely engaged in the desired detent. Quickly letting go of the lever may create a pinching or pulling hazard to the operator's hand.

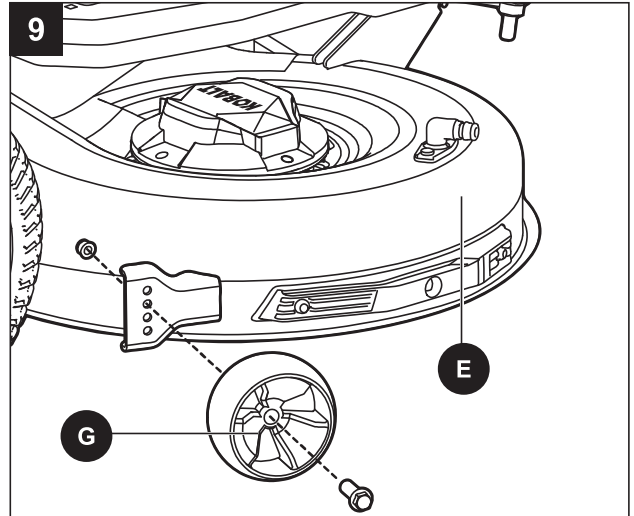
OPERATING INSTRUCTIONS

9. Adjusting the Anti-Scalp Wheels

The anti-scalp wheels (G) are designed to minimize the chance of scalping the lawn when mowing on rough, uneven terrain. After setting the cutting height, adjust the anti-scalp wheels so they extend below the deck but do not contact the ground.

The anti-scalp wheels are held in place by one nut and lug bolt each. They can be set in one of four positions:

- Raise the deck (E) to the desired cutting height.
- Use the 13 mm end of the combination wrench (HH) to stabilize the nut first and then loosen and remove the lug bolt on the other side using the 15 mm end of the other combination wrench (HH).
- Move the anti-scalp wheel (G) to the desired position. Then tighten the lug bolt and nut securely. The recommended torque for the lug bolts is 22-26 ft-lbs. (30-35 Nm).
- Repeat the steps with the other anti-scalp wheel (G), making sure both wheels are installed in the same position.



	Position 1: less than 2 in. (51 mm) grass cutting height
	Position 2: 2 in. – 3 in. (51 – 76 mm) grass cutting height
	Position 3: in. – 4 in. (76 – 102 mm) grass cutting height
	Position 4: greater than 4 in. (102 mm) grass cutting height

Hardware Used



Combination
Wrench



x 2

OPERATING INSTRUCTIONS

10. Starting the Lawn Mower (Fig. 10a)

Checklist before starting the mower

- Ensure that the work area is clear of children, bystanders, and pets.
- Clear the work area of objects that may be thrown by the mower blades.
- Clean debris from the mower.
- Check for loose fasteners.
- Check to make sure that all guards are in place and working properly.
- Visually check the tires whether they are inflated.
- Check the brake operation.
- Adjust the deck height to the desired cutting position best suited for the lawn, and adjust anti-scalp wheels accordingly.
- Adjust the seat position and make sure both pedals can be reached.
- Verify the battery charge level.
- Test the safety interlock system.

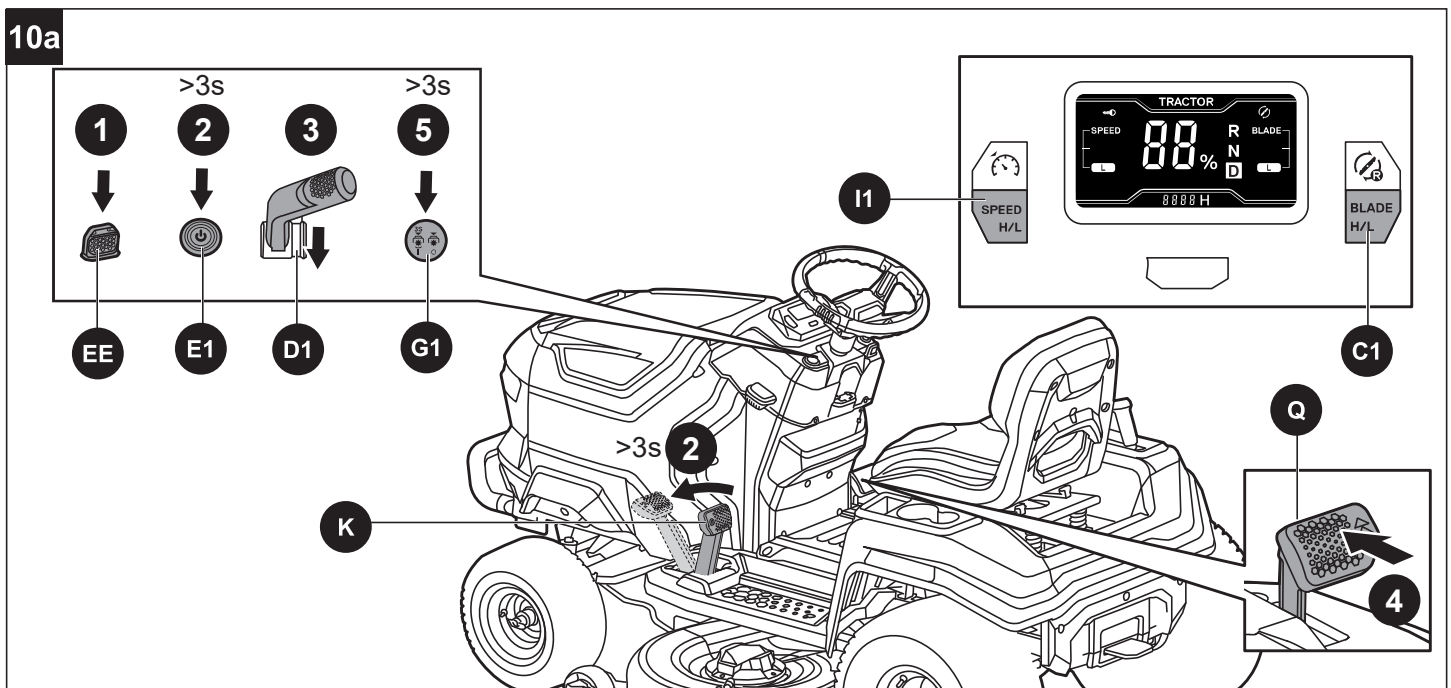
Before you begin to mow grass, we strongly encourage you to find a large, level, and open area to practice operating the mower using the instructions that follow. Once you can comfortably and reliably perform each of these maneuvers, you are ready to begin mowing.

⚠ WARNING:

- Clear the area of bystanders before operating the mower. If anyone enters the mowing area, stop immediately and do not continue mowing until the bystanders leave the area.

⚠ DANGER:

- Avoid sudden starts, stops, and turns, as well as excessive speed, especially when first learning to operate the mower. The mower can spin rapidly, which may cause you to lose control and could result in death, serious personal injury and/or damage to the mower. Press the driving speed adjustment button (I1) to set the low speed level to limit the amount of speed available until you are fully capable of operating the mower in all situations.



OPERATING INSTRUCTIONS

- a. Sit on the mower seat.
- b. Insert the safety key (EE).
- c. Fully depress the parking-brake pedal (K) by foot and simultaneously press the start/stop button (E1) for more than 3 seconds to illuminate the LCD screen.

NOTE: If the parking-brake pedal (K) is set at the parking-brake position, you could only press the start/stop button (E1) for more than 3 seconds to illuminate the LCD screen and then release the parking-brake pedal (K) before driving the mower.

- d. Set the appropriate driving speed and blade speed by pressing the driving speed adjustment button (I1) and blade speed adjustment button (C1) respectively.

NOTE: It is always recommended to start the mower in the low driving speed.

- e. Depress the accelerator pedal (Q) to drive the mower:

To drive forward: pull the direction control lever (D1) backward in the “D” direction.

To drive in reverse: push the direction control lever (D1) forward in the “R” direction.

NOTE: When you leave the seat, and then sit back on the seat, the mower will not move after depressing the accelerator pedal (Q) and the parking-brake icon will flash on the LCD screen. In this case, you need to fully depress the parking-brake pedal (K) and then release it, and then depress the accelerator pedal (Q) to drive the mower.

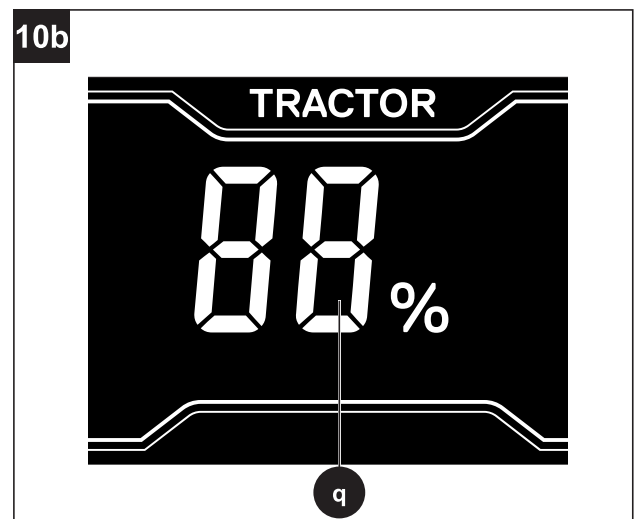
- f. Press the blade on/off button (G1) for more than 3 seconds to start the cutting blades, then release the blade on/off button. The button itself will illuminate.

NOTE: For safety reasons, the blades will turn off when pressing the blade on/off button for more than 8 seconds.

NOTE: The cutting blades could be started at any time once the LCD screen is fully illuminated and the direction control lever (D1) is not pushed forward in the “R” direction. To turn on the blades while driving the mower in reverse, refer to the section “Turning Blades on While Driving in Reverse” in this manual.

Start/stop button

- Press the start/stop button (E1) briefly and the LCD screen will only display the "fuel gauge" (q) as shown in Fig. 10b. Press the start/stop button briefly again, the LCD screen will turn off.
- With the safety key (EE) inserted, fully depress the parking-brake pedal (K) and simultaneously press the start/stop button (E1) for more than 3 seconds, the LCD screen will display full operator interface. Press the start/stop button again for more than 3 seconds and the LCD screen will turn off.

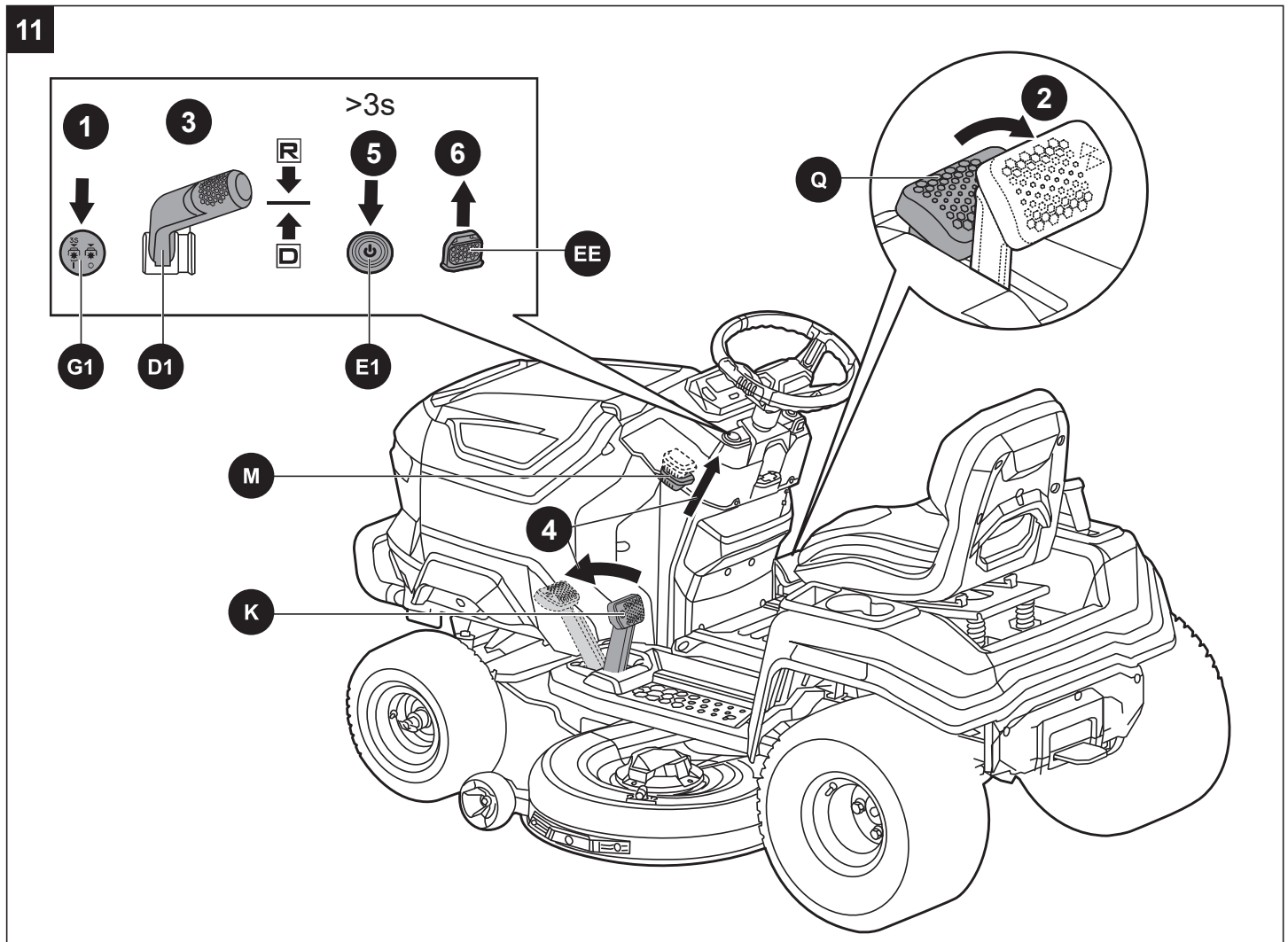


OPERATING INSTRUCTIONS

11. Stopping the Lawn Mower (Fig. 11)

⚠ DANGER:

- **Never make sudden stops or abrupt changes of direction, especially when maneuvering on a slope. The steering wheel and accelerator pedal are designed for sensitive response. Quickly stepping on the accelerator or rotating the steering wheel in either direction could result in a reaction of the mower that can cause serious injury.**



- Press the blade on/off button (G1) to turn off the blade motors and the button light will turn off.
NOTE: The cutting blades may be stopped at any time.
- Release the accelerator pedal (Q).
- Place the direction control lever (D1) in the “N” position.
NOTICE: Always place the lever in the “N” position when the mower stops driving, which could prevent unexpected start if the accelerator pedal is depressed accidentally.
- Pull up the parking-brake lock lever (M) and fully depress the parking-brake pedal (K) to set the mower in parking-brake position.
- Press the start/stop button (E1) for more than 3 seconds until the LCD screen is turned off. The start/stop button light will be off after another 3 seconds, which means the mower is turned off.

OPERATING INSTRUCTIONS

f. Remove the safety key (EE) from the mower and keep it in a safe place.

WARNING:

It is recommended for the operator to turn off the mower manually when it is not used, otherwise, the mower will shut off automatically as described below:

- In a situation when the LCD screen shows the “fuel gauge”, the mower will automatically shut off after 5 minutes.
- In a situation when the LCD screen shows the operator interface, both the drive motors and blades motors are not turned on, the mower will automatically shut off after 30 minutes.

WARNING:

- Do not stop the mower on a slope. Always stop the mower on a flat, level surface and never leave the mower unattended with the safety key inserted, even just for a brief period. Leaving the safety key inserted may allow unauthorized use that could result in serious personal injury.

WARNING:

- When the mower stops driving on a slope and the parking-brake pedal is not set at the parking-brake position, the audio indicator will continue to beep intermittently to remind the operator to set the parking brake for safe mower stopping on the slope. Always set the parking brake when leaving the seat. **Otherwise, the mower may slide down the slope, which may cause serious mower damage or personal injury!**

OPERATING INSTRUCTIONS

12. Driving The Lawn Mower (Fig. 12)

After starting the mower, follow these instructions:

- **To drive straight forward**, pull the direction control lever (D1) backward in the “D” direction and hold the steering wheel (V) straight with no rotation. Control the driving speed with the accelerator pedal (Q).
- **To drive in reverse**, push the direction control lever (D1) forward in the “R” direction and hold the steering wheel (V) straight with no rotation. Control the driving speed with the accelerator pedal (Q).

NOTE: When pulling the direction control lever from the “D” to “R” position WHILE driving forward, the mower will decrease its speed to zero and then shift in reverse.

NOTE: When switching between forward and reverse during driving, move the direction control lever directly from one end to the other without stopping in “N” position, otherwise the mower may stop moving.

- **To turn left**, rotate the steering wheel (V) to the left.
- **To turn right**, rotate the steering wheel (V) to the right.

NOTICE: Rapid movement of steering wheel is not recommended as damage to the electric components of the mower may occur.

NOTICE: Aggressive turning can scuff or damage lawns. Perform turns at low driving speed.

- **To stop or decrease speed**, release the accelerator pedal (Q) slowly.
- **To increase speed**, depress the accelerator pedal (Q) all the way. The harder the accelerator pedal (Q) is depressed, the faster the mower will travel.

⚠ DANGER: Stay at least two mowing widths (7 ft /2.13 m) away from any ditches, drop-offs, or water. Front wheels can rotate when the mower is stopped, even with the brake applied, and cause the mower to go over the edge or into the water and result in death or serious personal injury.

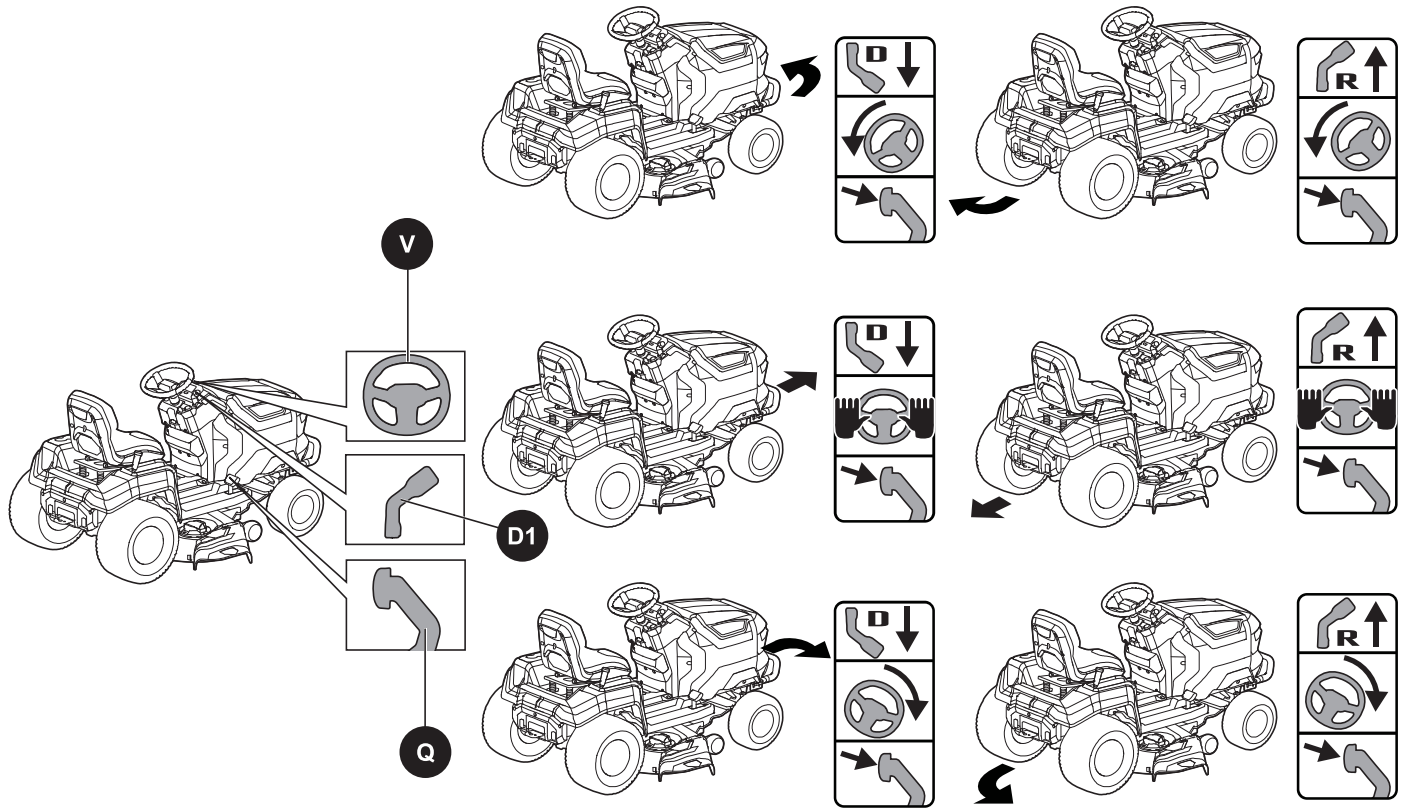
⚠ WARNING: Be aware of what is behind the mower before backing up. DO NOT mow in reverse unless absolutely necessary. Always look down and behind before and while backing to make sure no children, bystanders, or pets enter the mowing area. Remember that a careless fraction of a second is sufficient to inflict death or serious injury.

⚠ WARNING: Be certain you have correctly set your intended direction of driving with the steering wheel before depressing the accelerator pedal. Failure to do so could result in you driving the mower in an unintended direction, which could cause loss of control or an accident.

⚠ WARNING: Be cautious when crossing over gravel paths or driveways. Before crossing, turn off the blade motors and raise the cutting deck to the highest position to minimize the possibility of ricochet. Drive slowly to avoid loss of traction and control.

OPERATING INSTRUCTIONS

12



OPERATING INSTRUCTIONS

13. Customizing Mowing and Driving Settings

For the best mowing experience, we recommend customizing the following settings depending on your situation.

To select your driving speed level (Fig. 13a):

The driving speed level establishes the maximum driving speed of the mower.

Press the driving speed adjustment button (I1) to toggle between low level ("L") and high level ("H").

Low driving speed: for low-speed edging and trimming, or when mowing or driving in tight areas.

High driving speed: maximize the coverage area when mowing large, flat lawns.

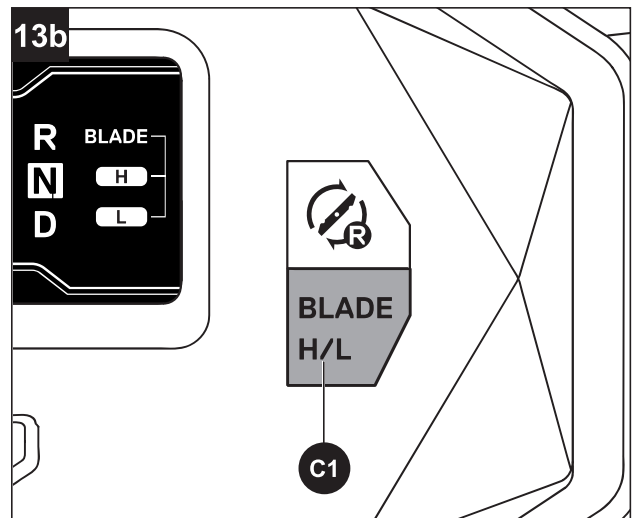
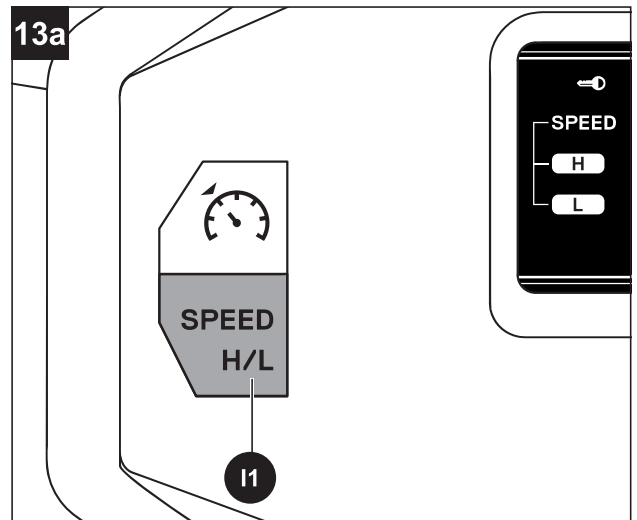
To select your blade speed level (Fig. 13b):

The user can customize the blade speed, depending on grass conditions. Run time will increase when mowing at low blade speed.

Press the blade speed adjustment button (C1) to toggle between low level and high level.

Low blade speed ("L"): provides the lowest noise level and longest run time.

High blade speed ("H"): for tall grass or extremely wet grass condition.



OPERATING INSTRUCTIONS

14. Using Cruise Control (CCS)

During forward driving, the mower could be set to continue at a desired speed without depressing the accelerator pedal.

To activate (enter) cruise control (CCS) (Fig. 14)

- a. While driving forward at a comfortable speed, press the CCS button (J1), the CCS icon (a) will illuminate on the LCD screen.
- b. Then release the accelerator pedal (Q) and the mower will continue driving at the current speed.

NOTE: The driving speed level shown on the LCD screen may not accurately represent the actual driving speed of the mower in cruise control. Press the driving speed adjustment button (I1) to “refresh” the driving speed level on the LCD screen.

- c. Press the driving speed adjustment button (I1) to increase or decrease the cruise control speed until the desired speed is reached.

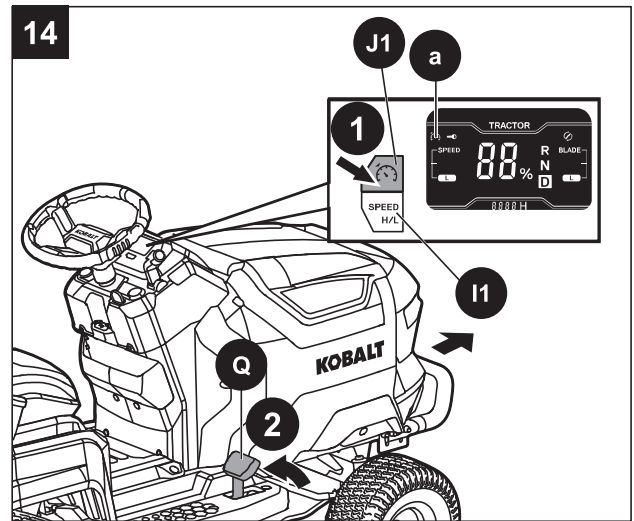
To stop (exit) cruise control (CCS), you may choose one of the three ways:

- Depress the accelerator pedal (Q) all the way and keep depressing. The CCS function will stop and the mower will continue driving.
- Slightly depress the accelerator pedal (Q) and then release it. The mower and the CCS function will stop.
- Press the CCS button (J1). The mower and the CCS function will stop.

NOTE: When push the direction control lever (D1) forward in the "N" or "R" position, the CCS function will also stop.

NOTE: When the CCS is stopped, the CCS icon (a) will disappear from the LCD screen.

NOTE: If the parking-brake pedal is depressed, the mower will stop but the CCS icon (a) will flash on the LCD screen to indicate the CCS is on standby. In this case, release the parking-brake pedal, press the CCS button (J1), the mower will resume driving automatically and the CCS icon (a) will stop flashing.



OPERATING INSTRUCTIONS

15. Turing Blades on While Driving in Reverse

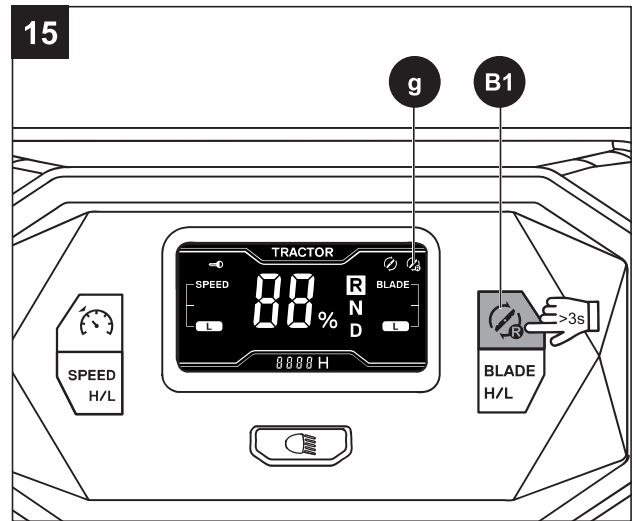
NOTICE: Mowing in reverse is not recommended

⚠ WARNING:

- Use extreme caution when mowing in reverse. Always make sure no individuals come into the work area, especially small children, before and while mowing in reverse.

⚠ WARNING:

- The operator's field of vision could be limited when operating the mower with the optional bagger kit attached. Extreme caution and familiarity with the surroundings should always be taken into consideration before and while mowing in reverse.



To activate (enter) mowing in reverse (Fig. 15)

The blade motors can be turned on when driving in reverse, if desired.

After each startup, the mowing in reverse icon (g) will disappear from the LCD screen, which means the blade motors could not be turned on when driving in reverse.

- a. Sit down on the mower seat.
- b. Press the start/stop button (E1) for more than 3 seconds and the LCD screen will display operator interface.
- c. Press the mowing in reverse button (B1) for more than 3 seconds and the mowing in reverse icon (g) will illuminate on the LCD screen, which means the blade motors could be turned on when driving in reverse.

To stop (exit) mowing in reverse, you may choose one of the four ways:

- Press the mowing in reverse button (B1) once.
- Raise yourself off the mower seat.
- Press the start/stop (E1) button for more than 3 seconds to turn off the LCD screen.
- Remove the safety key (EE) to shut down the mower.

NOTE: When the mowing in reverse is stopped, the mowing in reverse icon (g) will disappear from the LCD screen.

OPERATING INSTRUCTIONS

16. LED Headlights

The LED headlights (L) could be turned on and off by the LED light button (H1). The LED headlights icon (e) will illuminate on the LCD screen.

17. USB-A Port

The USB-A port (U) provides charging power of 5 Volts DC at up a combined draw of 1.5 Amperes for your cell phone, MP3 player, or other USB devices. Consult the owner's manual for your device for specific charging requirements.

NOTICE:

- Attempting to charge devices whose combined draws exceed 1.5 amps could damage the USB port and/or the mower.
- The USB port could not be powered when the mower is in charging mode.
- When it is not used, make sure the USB port cover is closed to protect the USB port from water, moisture, or dust.

18. Slope operation

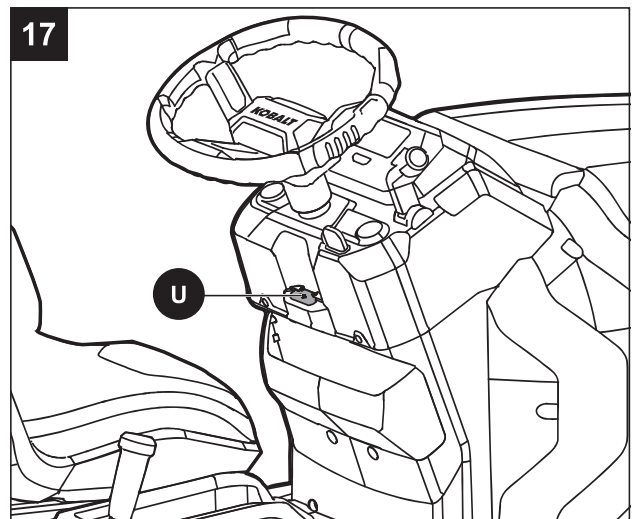
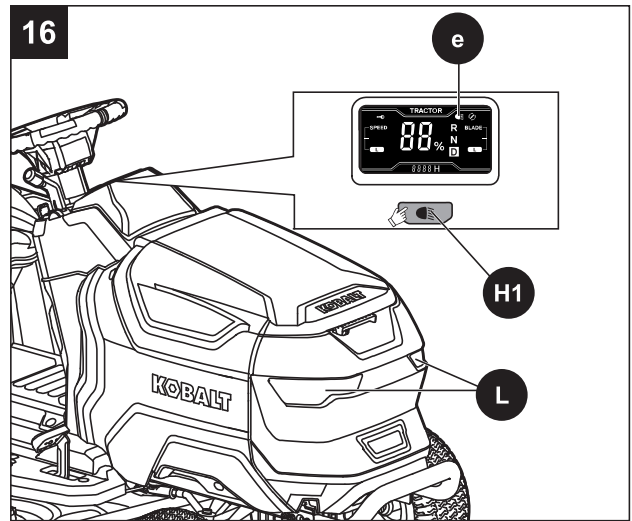
See section “**Slope Specific**” in this manual for safety instructions before slope operation.

! DANGER:

- Slopes are a major factor related to tip-over and roll-over accidents that can result in severe injury or death. Operation on slopes requires extra caution. If you feel uneasy on a slope, do not mow it. For your safety, do not attempt to mow steep slopes greater than 15 degrees. Make a copy or cut out the slope guide image (Fig. 18) and use it to determine if your slope is too steep for safe operation.

! **WARNING:** Pull up the parking-brake lock lever (M) and depress the parking-brake pedal (K) immediately to engage it in the parking-brake position in case any emergency occurs. The mower will stop immediately and will not slide down the slope.

- Mow up and down, not across the face of slopes.
- Do not mow wet grass. Wet grass can cause the tires to lose traction or slip on slopes, even though the brakes are functioning properly.
- Watch for holes, ruts, rocks, hidden objects, or bumps which can affect your operation. Tall grass can hide obstacles. Remove all objects such as rocks, tree limbs, etc., which could be thrown by the blade.
- Do not mow near drop-offs, ditches, or embankments.
- Drive slowly and do not make sudden changes in speed or direction.



OPERATING INSTRUCTIONS

- Avoid stopping on a slope if possible. If stopping on a slope is unavoidable, make sure to engage parking brake. When restarting, use the lowest possible speed. If turning is necessary, exercise extreme caution when changing direction and always turn downhill.
- If at any point the tires lose traction while operating on a slope, turn off the blades and proceed slowly and carefully straight down the slope.
- If using the optional bagger or other accessories, never operate the mower on slope angles greater than 10 degrees. Use extreme caution and operate the mower slowly when operating on slopes, as these accessories can change the stability of the mower.

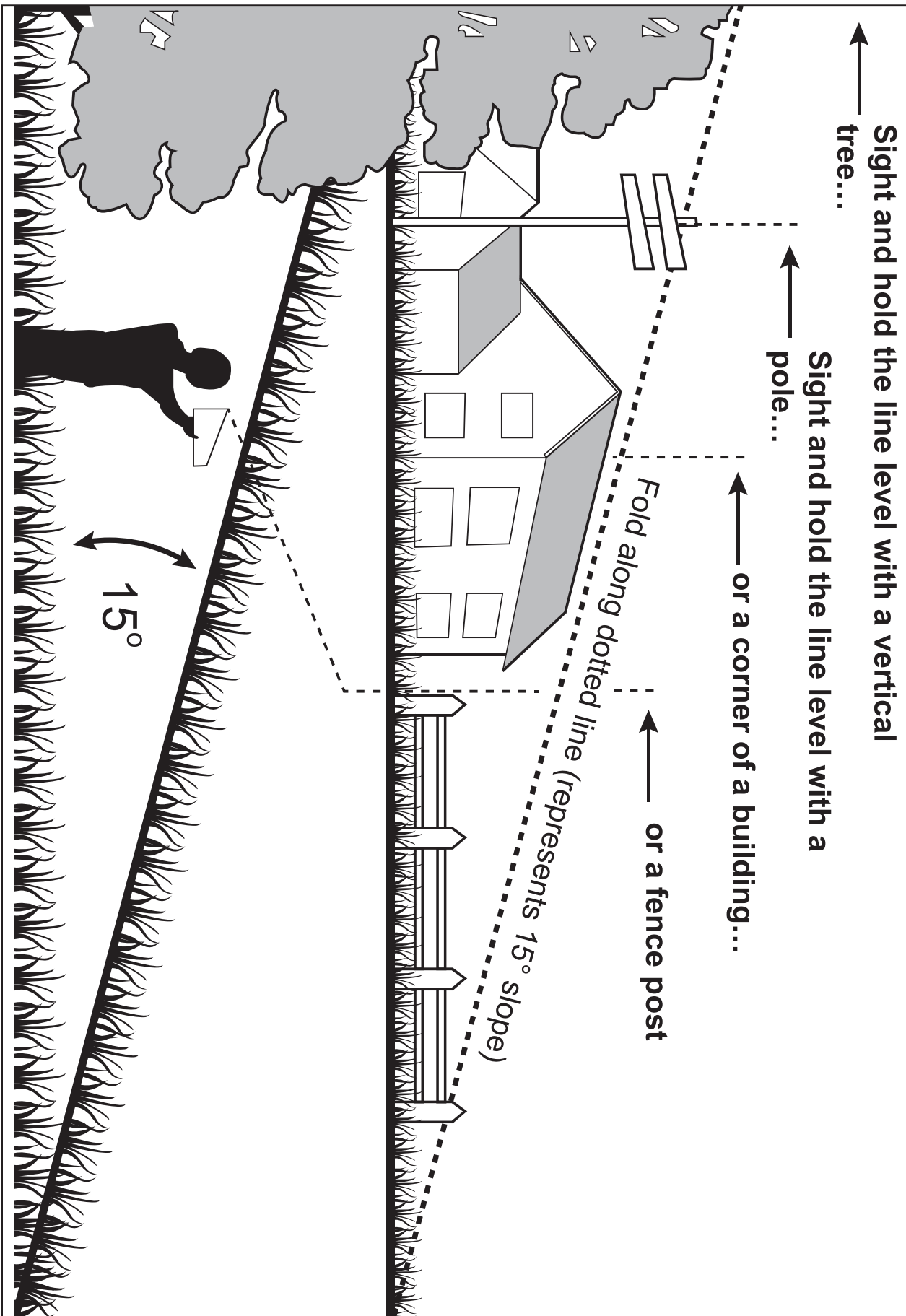
Slope assist

When the mower is restarted on a slope, the moment the accelerator pedal is depressed, the mower will keep still on the slope without sliding along the slope. Once the accelerator pedal is depressed harder, the mower will start driving forward normally. This is a function of the Slope Assist feature for safe starting of the lawn mower.

- When the mower stops driving, the accelerator pedal is released, but the parking-brake pedal is not set at the parking-brake position. the audio indicator will emit intermittent beeps. The audio indicator will no longer sound as soon as the parking-brake pedal is set in parking-brake position.

⚠ WARNING: Always set the parking-brake pedal at parking-brake position when the mower stops driving on a slope, **otherwise, the mower may slide down the slope, which may cause serious mower damage or personal injury!**

- When restarting driving on a slope, disengage the parking-brake pedal and depress the accelerator pedal immediately. **Otherwise, when the parking-brake pedal is released but the accelerator pedal is not depressed, the mower may slide down the slope and the audio indicator will not beep.**
- When driving the mower on a slope, never try to depress the parking-brake pedal to slow down the driving speed during driving. **Otherwise, when the parking-brake pedal is depressed but is not engaged in the parking-brake position, the mower may slide down the slope once the parking-brake pedal is released.**



OPERATING INSTRUCTIONS

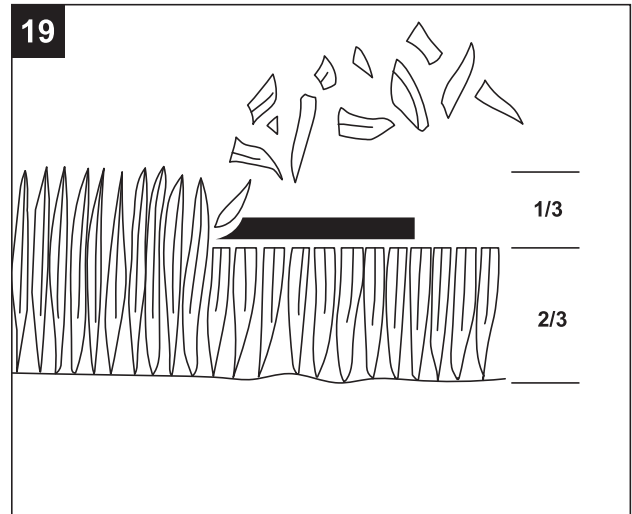
19. Mowing Tips

NOTICE: A sharp blade will greatly enhance the performance of the mower, especially when cutting tall grass. Make sure to check the sharpness of the blade before mowing.

- Verify that the lawn is free of stones, sticks, wires, and other objects which could damage the mower's cutting blades or motors. Such objects could be accidentally thrown by the mower in any direction and could cause serious personal injury to the operator and to others.

⚠ WARNING: If you strike a foreign object, turn off the mower. Thoroughly inspect the mower for any damage and repair the damage before restarting and operating the mower. Excessive vibration of the mower during operation is an indication of damage. The unit should be promptly inspected and repaired.

- The mowing result will be the best with a high blade speed and low driving speed. If the grass is not too long and dense, the driving speed can be increased without negatively affecting the mowing result.
- When cutting heavy grass, reduce the driving speed to allow for a more effective cutting and a proper discharge of the clippings.
- Begin with a high cutting height and reduce it until the desired mowing result is attained. Grass over 6 inches (152 mm) long should be mowed twice, at successively lower cutting heights.
- To maintain a healthy lawn, cut off only one-third or less of the total length of the grass (Fig. 19). The average lawn should be approximately 1-1/2 to 2 inches (38 – 51 mm) long during cool months, and between 2 to 3-1/4 inches (51 – 83 mm) long during hot months. For healthier and better-looking lawns, mow more often after moderate growth.
- Do not cut wet grass. Mowing on wet surfaces can cause loss of control and the wheels to sink into the soft lawn. Wet grass will stick to the underside of the deck and prevent proper bagging or mulching of the grass clippings.
- New or thick grass may require a narrower cut or a higher cutting height.
- Keep the mower deck and side discharge chute clean. Remove grass clippings, leaves, dirt, and any other accumulated debris before and after each use. See section "**Cleaning the machine**" in this manual.



20. Tips to Increase Run Time

To get longer run time, please follow these guidelines:

- Cut no more than 1.5 inch (38 mm) of grass in one pass.
- Do not cut wet grass.
- Make sure the blades are sharp.
- Make sure that the underside of the deck is clean.
- Slow down the blade speed – Use the low blade speed level.
- Do not use the mulching plug.
- Do not charge external devices using USB port.

OPERATING INSTRUCTIONS

21. Cold Weather Operation

NOTICE: Under extreme cold weather, the blade motor and driving function may not start successfully due to the low temperature protection. Please do not make repeated attempts which may damage the machine. Always store the mower in warm environment. Restart the mower when it is warmed up. Recommended operating temperature is 32°F–104°F (0°C–40°C).

22. Audio Indicator (Beeps)

The lawn mower is equipped with an audio indicator that will beep in certain situations. It will sound when:

- The mower starts normally and the LCD screen is illuminated with all icons and indicators. The beep will sound once.
- The mower is turned off normally. The beep will sound once.
- When starting to drive in reverse or switching the driving direction from forward to reverse while driving, the beep will sound six times.
- When the available battery charge is critically low, the mower will go into low power mode, the beeps will continue to sound intermittently until the blade on/off button is pressed to turn off the blades.
- When the mower is overloaded or overheated, the beep will sound once.
- When any fault codes are displayed on the LCD screen, the beep will sound once.
- When the mower stops driving on a level surface, the accelerator pedal is released, the operator is off the seat without setting the parking-brake pedal at the parking-brake position, the beeps will sound continuously to remind the operator to set the parking brake for safety.
- When the mower stops driving on a slope, the accelerator pedal is released, but the parking-brake pedal is not set at the parking-brake position, the beeps will sound continuously to remind the operator to set the parking brake for safety.
- When entering or exiting the CCS (Cruise Control System), the beep will sound twice.
- When the mower starts charging successfully, the beep will sound once.

CARE AND MAINTENANCE

⚠ WARNING: Before performing any maintenance, stop the mower on a level surface and wait for the blades to come to a complete stop. Engage the parking brake, remove the safety key, and wait until the start/stop button light is off to avoid accidental starting and possible serious personal injury.

⚠ WARNING: To ensure personal safety, never allow people to sit on the machine or operate the machine while any maintenance is being performed.

⚠ WARNING: When servicing, use only identical replacement parts. Use of any other parts may create a hazard or cause product damage. To ensure safety and reliability, all repairs should be performed by a qualified service technician.

⚠ WARNING: Strictly adhere to all torque wrench tightening specifications. Failure to do so could cause serious personal injury.

NOTICE: Remain alert for unusual noises, as they could be signaling a problem. Visually inspect the product for any abnormal wear or damage. Periodically inspect the entire product for damaged, missing, or loose parts such as screws, nuts, bolts, caps, etc., along with wire and string tangles. Tighten securely all fasteners and caps and do not operate this product until all missing or damaged parts are replaced.

Maintenance Service Interval	Maintenance Procedure
Before each use or daily	<ul style="list-style-type: none"> ▪ Check the safety-interlock system. ▪ Visually check the tires whether they are inflated. ▪ Inspect the blades. ▪ Inspect the entire product for damaged, missing, or loose parts such as side discharge chute, screws, nuts, bolts, caps, etc., ensuring that all guards are in place and working properly. ▪ Check and make sure the accelerator pedal could be depressed and released properly. ▪ Check the steering wheel damper. The steering wheel should be rotated with certain resistance.
After each use	<ul style="list-style-type: none"> ▪ Clean the mower and wash the deck.
Every 25 hours	<ul style="list-style-type: none"> ▪ Check the tire pressure.
Every 100 hours	<ul style="list-style-type: none"> ▪ Check the front wheels, ensuring that the nut is fastened at the recommended torque 66-68 ft-lbs. (90 – 92 Nm). ▪ Check the rear wheels, ensuring that the 4 lug nuts are fastened at the recommended torque: 74-76 ft-lbs. (101-103 Nm)
Every 200 hours	<ul style="list-style-type: none"> ▪ Check the front wheels, ensuring that they turn freely.
Every half a year	<ul style="list-style-type: none"> ▪ Check the parking-brake pedal. Pull up the parking brake lock lever and depress the parking-brake pedal to set the parking-brake. Manually push the mower forward to see if the mower can be moved without the rear wheels rotating. If the mower moves and the rear wheels rotate, please contact Kobalt customer service and have it repaired by a qualified service technician.

CARE AND MAINTENANCE

Maintenance Service Interval	Maintenance Procedure
Before storage	<ul style="list-style-type: none">▪ Remove the safety key from the mower.▪ Perform all maintenance procedures listed above and thoroughly clean the mower.▪ Inspect the entire product for damaged, missing, or loose parts. Replace or tighten the corresponding ones before storage.
Annually	<ul style="list-style-type: none">▪ Lubricate the shaft sleeves of the front wheels. Refer to chapter “Lubricating the Shaft Sleeves of the Front Wheels”.

GENERAL MAINTENANCE

- Avoid using solvents when cleaning plastic parts. Most plastics are susceptible to damage from various types of commercial solvents and may be damaged by their use. Use clean cloth to remove dirt, dust, oil, grease, etc. Insect repellent spray may damage plastic and painted surfaces. Do not spray insect repellent near the mower.
- Prolonged exposure to sunlight will damage some surfaces.
- Once the mower is left out in the rain accidentally, use dry clean cloth to dry the seat, control panel, etc., before you restart it or store it.

WARNING:

- Do not at any time let brake fluids, gasoline, petroleum-based products, penetrating oils, etc., come in contact with plastic parts. Chemicals can damage, weaken or destroy plastic which may result in serious personal injury.

Cleaning the machine

Remove any build-up of grass and leaves on or around the mower housing. Wear eye protection and use compressed air after each use to clean the mower housing or the top side of the mower.

The underside of the deck should also be cleaned using wash port after each use, as grass clippings, leaves, dirt, and other debris will accumulate, especially when grass is wet or has high moisture content. This accumulation is undesirable, as it will harden, restricting blade and air movement, probably resulting in a poorer quality of cut and even promoting rust and corrosion.

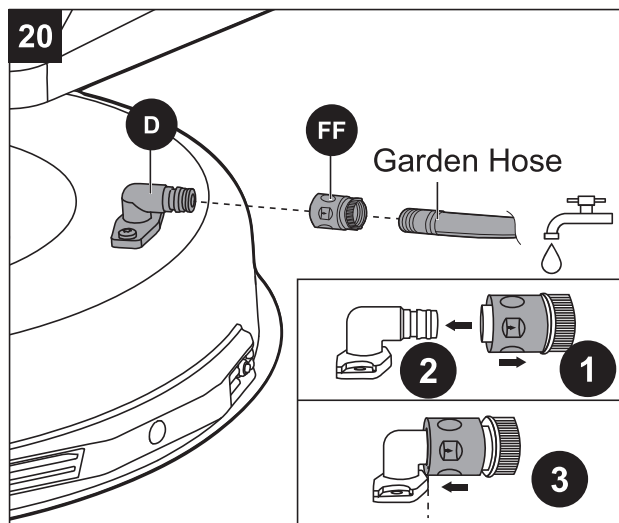
Using wash port to clean the deck

NOTICE: Follow this procedure after EACH USE to prevent buildup and remove corrosive lawn chemicals.

IMPORTANT: You can wash the machine with a mild detergent and water. Do not pressure wash the machine. Avoid excessive use of water, especially near the control panel, under the seat, around the motors and all electric components and bearings.

CARE AND MAINTENANCE

- a. Set the parking brake. Refer to section “**Setting the Parking Brake**” in this manual.
- b. Adjust the deck height to the lowest. Refer to section “**Adjusting the Cutting-Deck Height**” in this manual.
- c. Attach the supplied wash-port quick-coupler (FF) to a garden hose (not included).
- d. Attach garden hose with quick-coupler (FF) to the wash port (D) on the mower deck as shown in Fig. 21 until you hear a clear click. The wash port is on the left side of the mower deck.
- e. Turn on the water.
- f. Insert the safety key (EE), depress the parking-brake pedal (K) and simultaneously press the start/stop button (E1) for more than 3 seconds to illuminate the LCD screen.
- g. Press the blade on/off button (G1) for more than 3 seconds to start the blade motors and adjust the blade speed to the high level. Refer to section “**To Select Your Blade Speed Level**” in this manual.
- h. Flush water under the deck for approximately one minute.
- i. Turn off the blade motors by pressing the blade on/off button (G1) once again.
- j. Turn off the water and remove garden hose and quick-coupler (FF) from wash port.
- k. Remove the quick-coupler (FF) from the garden hose and store it in a safe location for future use.
- l. Turn off the mower completely. See section “**Stopping the Lawn Mower**”.



NOTE: When cleaning the deck using the wash port, the mower can be either in mulching or side discharging mode.

NOTE: If the deck is not clean after one wash cycle, repeat the process until the deck is thoroughly cleaned.

LEVELING THE DECK

⚠ WARNING: Always protect your hands by wearing heavy gloves or wrapping the cutting edges with rags or other materials when performing any maintenance on the blade(s).

- If your lawn appears unevenly cut after using the mower or when the blade(s) is/are reinstalled, the deck may need adjusting.
- Before deciding that leveling of the deck is necessary, make sure that the tires are properly inflated to the recommended pressure (please see section “**CHECKING THE TIRE PRESSURE**” in this manual). Over- or under- inflated tires can affect the appearance of the cut grass, and proper inflation of the tires may be all that is needed to resolve uneven cut issues. If the tires are under or over-inflated, the deck cannot be correctly adjusted.
- Check for bent blades prior to leveling. Remove and replace any bent blades. See section “**REPLACING THE CUTTING BLADES**” in this manual for reference.
- Adjust the deck while the mower is on a level surface. Raise the deck to the highest position.

NOTE: Mower deck anti-scalp wheels should not contact the ground when leveling the deck.

NOTE: The deck must be adjusted slightly higher in the rear.

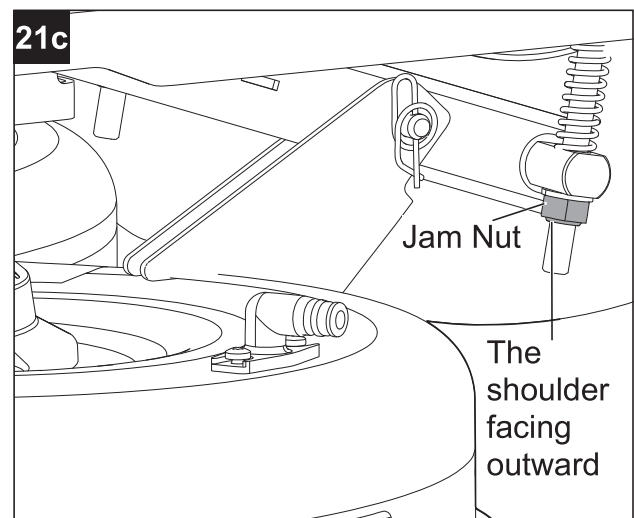
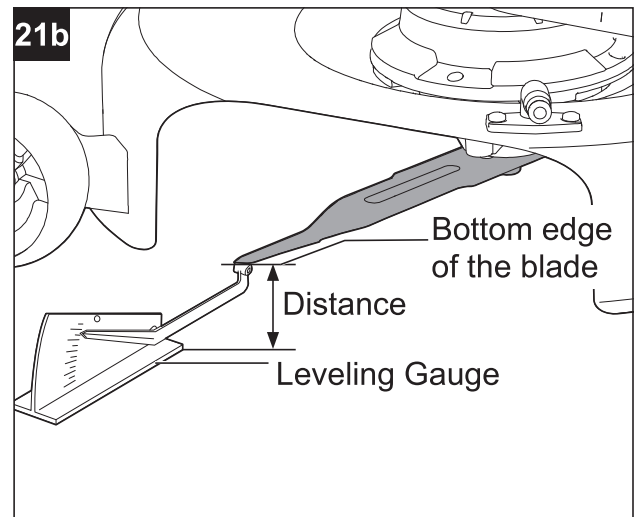
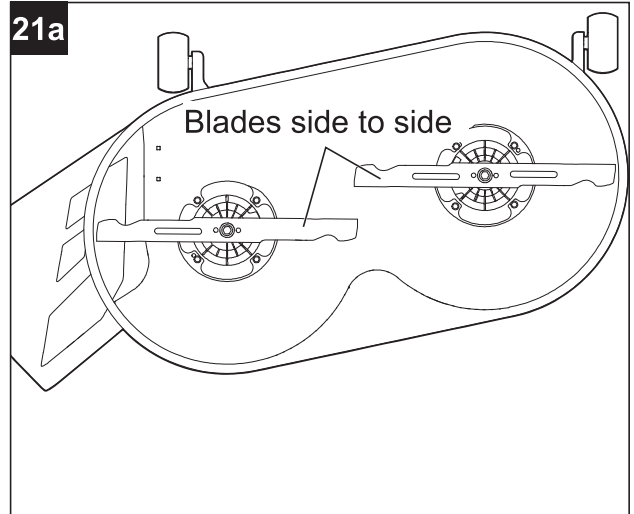
CARE AND MAINTENANCE

Required tools (not supplied): one 13/16 in. (21 mm) open-end wrench, one 23/32 in. (18 mm) open-end wrench or adjustable wrench; one leveling gauge.

To make side-to-side adjustment

- Turn off the mower, engage the parking brake, and remove the safety key.
- Position both blades so that the ends point toward the sides of the mower (Fig. 21a).
- On the outside edge of each blade, measure the distance from the bottom edge of the side of the blade to the ground (Fig. 21b). If the distance between the two sides is greater than 13/64 in. (5 mm), side-to-side adjustment is necessary.
- On the side you wish to adjust, use a 13/16 in. (21 mm) open-end wrench or adjustable wrench (not supplied) to adjust the one jam nut at the rear of the mower (Fig. 21c).
- Measure again. Continue to adjust and measure until the difference between the distances on each side is within 13/64 in. (5 mm).
- Proceed to front-to-back adjustment or retighten the nuts.

NOTE: In case the jam nut on the back is removed from the machine accidentally, remount it with the shoulder of the jam nut facing outward. No requirement for the two nuts on the suspension linkage.



CARE AND MAINTENANCE

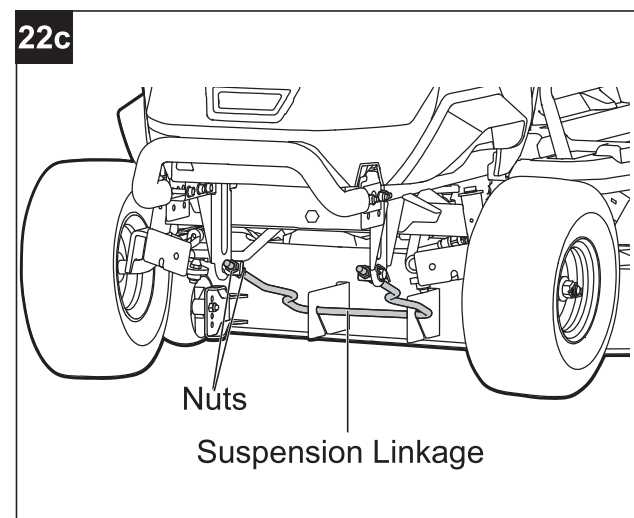
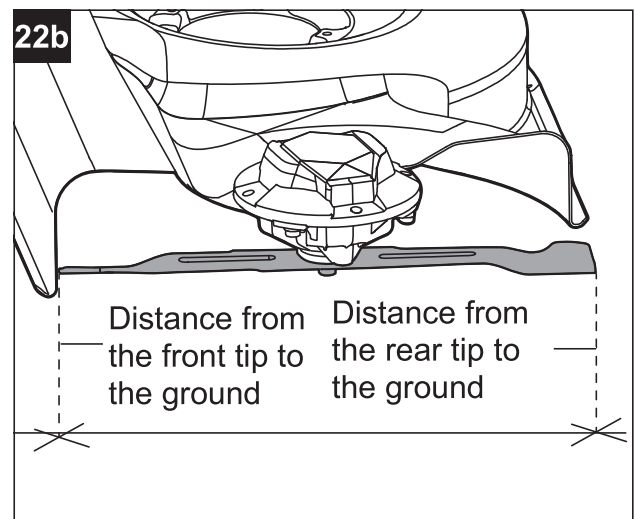
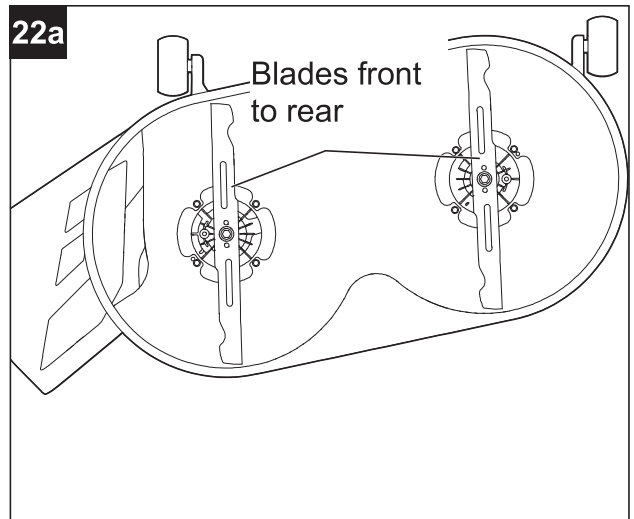
To make front-to-rear adjustment

NOTICE: Always level the deck side-to-side before making a front-to-rear adjustment.

- Position both blades so that the ends point toward the front and rear of the mower (Fig. 22a).
- Measure the distance from the tip of one blade to the ground (see Fig. 22b). For best results, the front tip of the blade should be from $5/64$ in. to $25/64$ in. (2 mm to 10 mm) lower than the rear tip.
- If front-to-rear adjustment is needed, use a $23/32$ in. (18 mm) open-end wrench or adjustable wrench (not supplied) to adjust the four nuts on the suspension linkage (two for each side) (Fig. 22c).

NOTICE: Make sure to turn the corresponding nuts on both sides equally to avoid altering the side-to-side measurement.

- Measure again to verify that the front tip is now $5/64$ in. to $25/64$ in. (2 mm to 10 mm) lower than the rear tip. If not, continue to adjust and measure until they are.
- Retighten the nuts. The recommended torque for the nuts is 38-42 ft-lbs. (52-57 Nm).

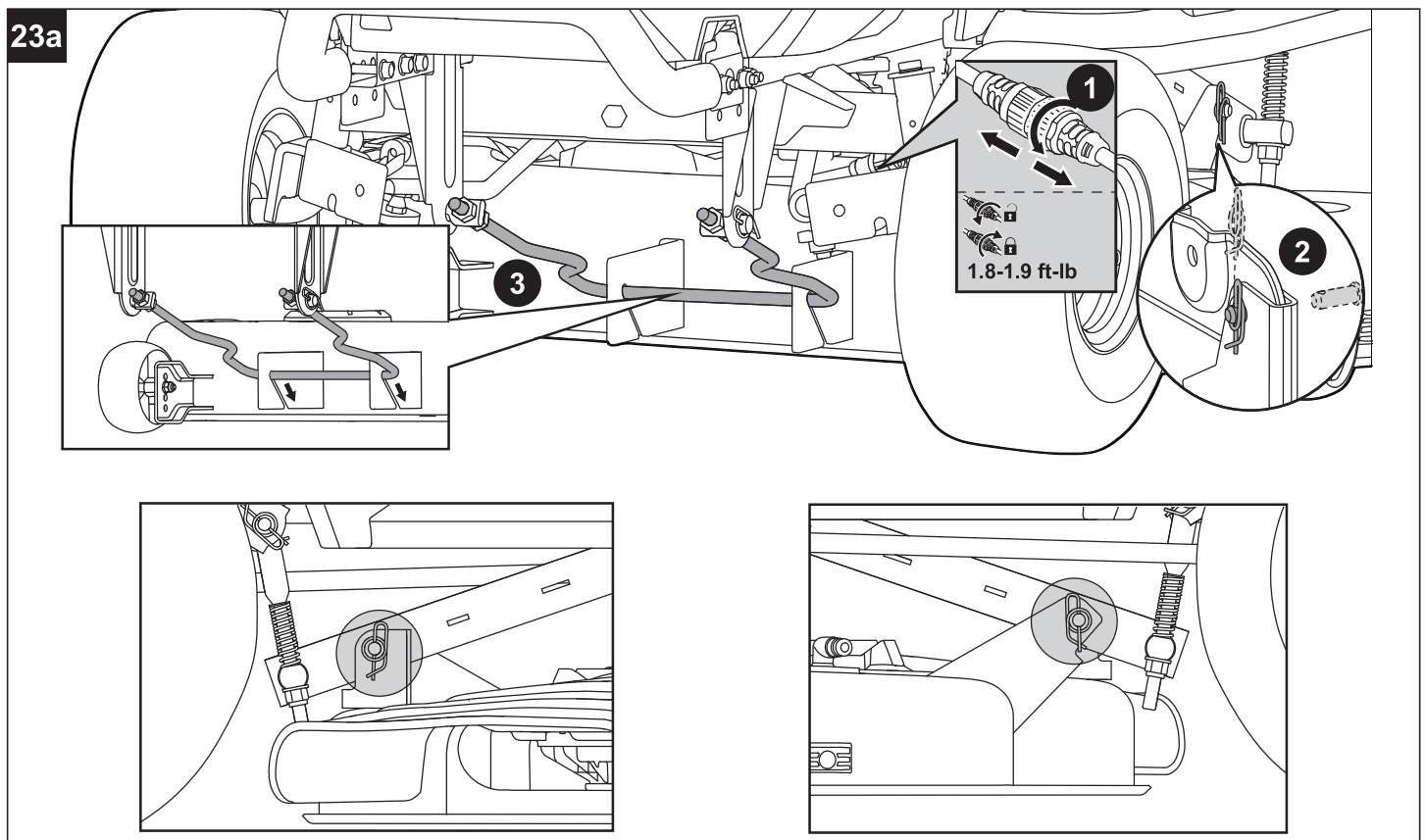


CARE AND MAINTENANCE

REMOVING THE DECK

⚠ WARNING:

- Make sure that the mower is properly secured and the parking brake is engaged before proceeding. Follow below steps to remove the deck from the product first and then perform maintenance.
- a. Turn off the mower, engage the parking brake, and remove the safety key.
- b. Adjust the deck-height-adjustment lever to the lowest cutting height position.
- c. Disconnect both blade motor cables.
- d. Place a rug or a mat (similar in size to that of the deck) under the deck to prevent the damage to the deck.
- e. Remove the cotter pins and push the shaft pins out. Save both sets for deck re-assembly.
- f. Push the deck backward (towards the rear wheels) and rotate the suspension linkage clockwise to release it from the deck hooks (Fig. 23a).



CARE AND MAINTENANCE

- g. Pull the rug/mat (with the deck on it) sideways to remove them from under the mower (Fig. 23b).
- h. Clean the deck or replace the blade(s) as directed in “**REPLACING THE CUTTING BLADES**” in this manual.
- i. When the cleaning or blade replacement is complete, reassemble the deck onto the mower in the reverse order.

NOTICE: Reconnect the motor cables, ensuring that the left motor cable is connected to the left motor while the right motor cable to the right motor. The cables are marked with “left” and “right”.

NOTICE: Make sure both motor cables are connected to the motor with proper torque. The recommended torque is 1.8-1.9 ft-lbs. (2.4-2.6 Nm).

REPLACING THE CUTTING BLADES

⚠ WARNING:

- Always protect your hands by wearing heavy gloves or wrapping the cutting edges with rags or other materials when performing any maintenance on the blade(s). Always remove the safety key when servicing or transporting the mower.

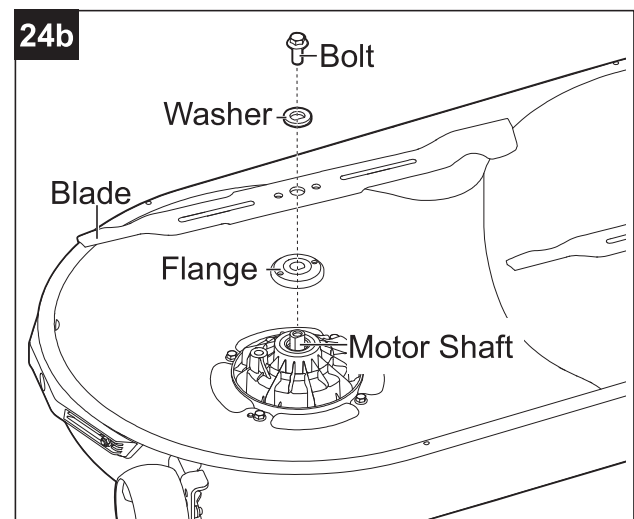
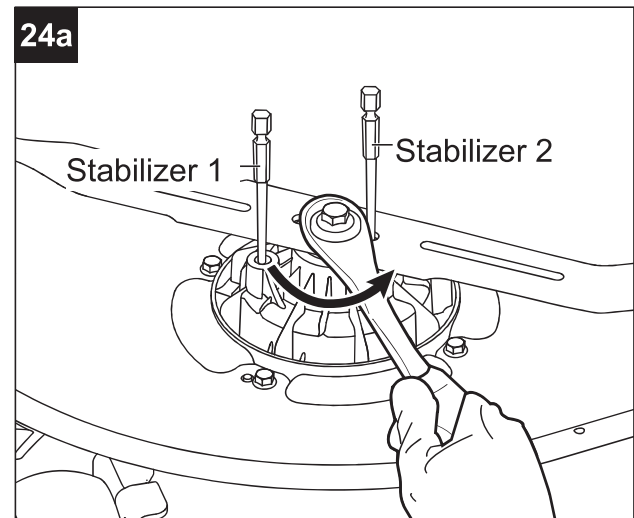
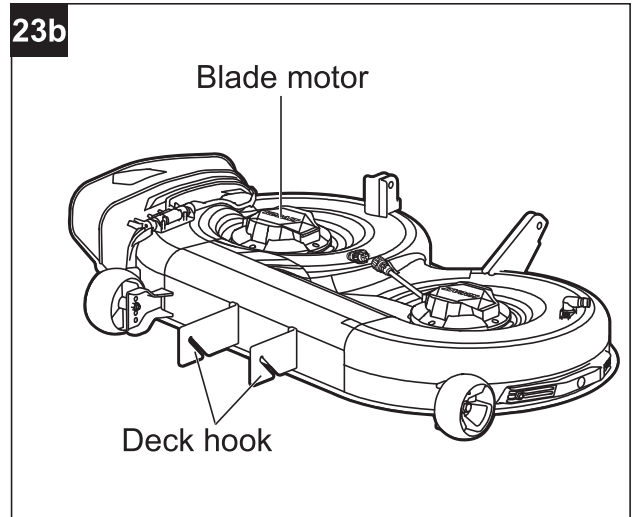
Required tools:

- Torque wrench with 9/16 in. (14 mm) socket.
- Screwdriver or metal rod 5/16 in. (8 mm) or a little less in diameter.
- Screwdriver or metal rod 1/4 in. (6.35 mm) or a little less in diameter.

Recommended Tools (not supplied): Impact wrench with 9/16 in. (14 mm) socket make removing the blade bolts much easier.

To remove the cutting blade

- a. Turn off the mower, engage the parking brake, and remove the safety key.
- b. Remove the deck as directed in the section “**Removing the Deck**” in this manual.
- c. Flip the deck on the ground so that the blades face upward.
- d. While wearing protective gloves, place a screwdriver or metal rod 5/16 in. (8 mm) or a little less in diameter into the fixing hole in the motor to act as a stabilizer 1. Place another screwdriver or metal rod 1/4 in. (6.35 mm) or a little less in diameter (e.g., a bit) into the aligned hole in the blade and the flange to act as stabilizer 2 (Fig. 24a).



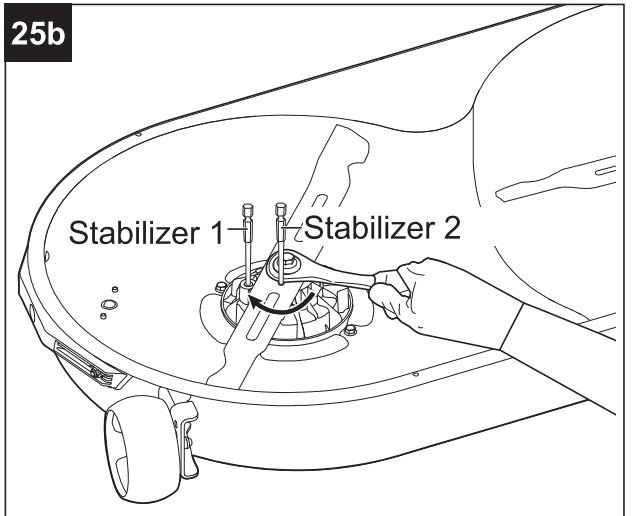
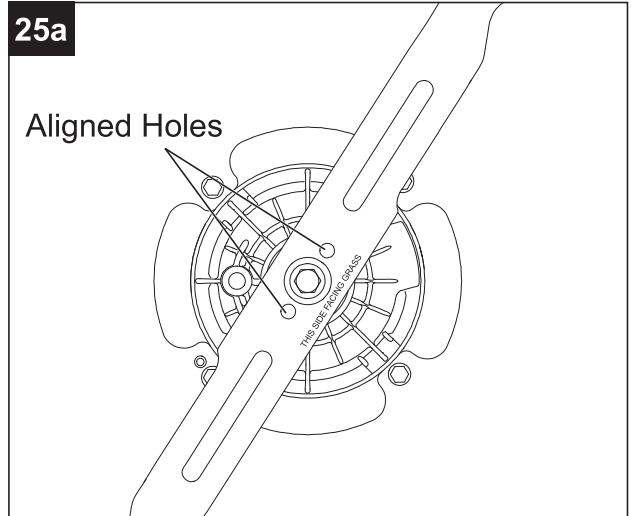
CARE AND MAINTENANCE

- e. Use a 9/16 in. (14 mm) wrench (not supplied) to turn the blade bolt counterclockwise to loosen it (Fig. 24a).
- f. While wearing protective gloves, remove the bolt, washer, and the blade (Fig. 24b). The flange can be left on the motor shaft.

To install the cutting blade

NOTICE: To re-install or replace the blade, make sure that all parts are replaced in the exact order in which they are removed (Fig. 24b).

- a. If the flange is removed during blade removal, align it with the motor shaft first and then assemble it into place.
- b. While wearing protective gloves, position the blade on the flange with the surface stating “THIS SIDE FACING GRASS” facing toward outside (Fig. 25a).
- c. Align the washer with the motor shaft and mount it onto the motor shaft.
- d. Mount the bolt into the motor shaft. Hand-tighten the bolt clockwise.
- e. Move the blade by hand to align the two holes in the blade with the two holes in the flange (Fig. 25a).
- f. Place a screwdriver or metal rod 1/4 in. (6.35 mm) or a little less in diameter (e.g., a bit) into the aligned hole in the blade and the flange to act as a stabilizer 1. Place another screwdriver or metal rod 5/16 in. (8 mm) or a little less in diameter into the fixing hole in the motor to act as a stabilizer 2 (Fig. 25b).
- g. Use a 9/16 in. (14 mm) torque wrench to tighten the bolt clockwise. The recommended torque for the blade bolt is 36-41 ft-lbs. (50-55 Nm).
- h. Repeat the steps with the second blade, if needed.
- i. Reassemble the deck onto the mower as directed in “**REMOVING THE DECK**” in this manual.



WARNING:

- Ensure that the blade is properly seated and the blade bolt is tightened to the torque specifications above. Failure to properly attach the blade could cause it to come loose and result in possible serious personal injury.

CARE AND MAINTENANCE

SHARPENING THE CUTTING BLADE

NOTICE: Keep the blade sharp for best cutting performance. A dull blade does not cut grass cleanly or mulch properly. A dull blade can be sharpened, but a blade that is excessively worn, bent, cracked, or otherwise damaged must be replaced. A worn or damaged blade can break, causing blade pieces to be thrown from the mower. If the blades are found to be bent, contact Kobalt customer service immediately. Never attempt to straighten a bent blade by heating, or weld a cracked or broken blade.

Sharpening frequency

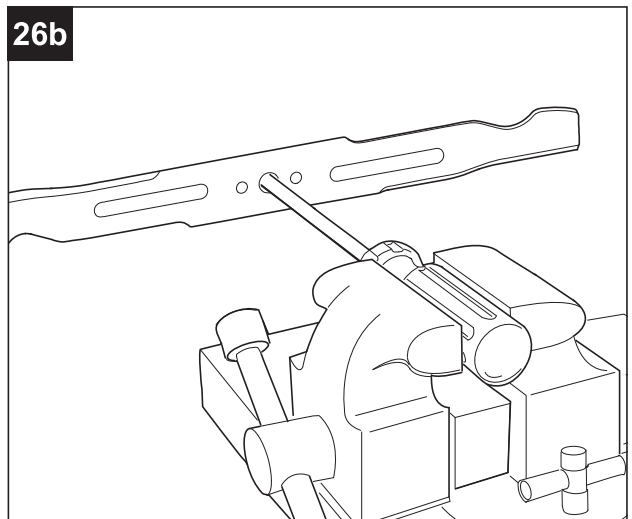
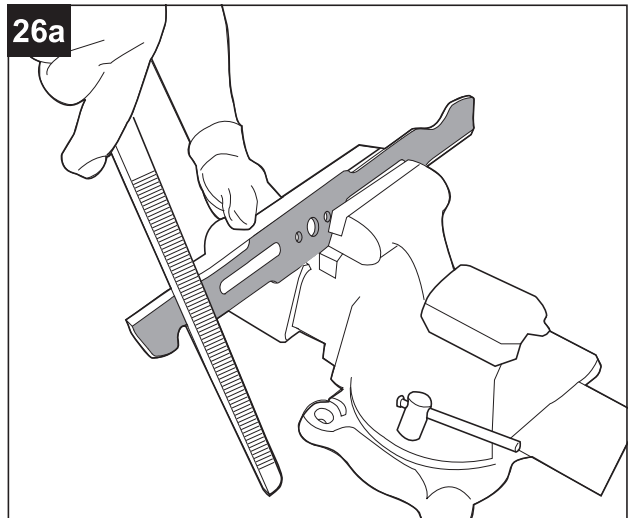
Sharpening the cutting blade twice during a mowing season is usually sufficient under normal circumstances. Sand causes the blade to dull quickly; if your lawn has sandy soil, more frequent sharpening may be required.

When sharpening the cutting blade

- Make sure that the blade remains balanced.
- Sharpen the cutting blade at the original cutting angle.
- Sharpen the cutting edges on both ends of the blade, removing an equal amount of material from each end.

Sharpening blade in a vise

- Remove the blade from the mower (please see section “**Replacing the Cutting Blades**” in this manual).
- Secure the blade in a vise (Fig. 26a).
- Wear proper eye protection and gloves and be careful not to cut yourself.
- Carefully file the cutting edges of the blade with a fine-tooth file or sharpening stone, maintaining the original cutting edge angle.
- To check the blade balance: clamp a nail or a screwdriver with a round shank in the horizontal position. Position the blade so that the nail or round shank of the screwdriver supports the blade through its center hole. Balance the blade horizontally. If either end of the blade rotates downward, remove some metal from the heavy (or lower) end until the blade is balanced. It is balanced when neither end drops (Fig. 26b).
- Replace the blade and mount it onto the mower securely (please see section “**Replacing the Cutting Blades**” in this manual).



⚠ WARNING:

- An unbalanced blade will cause excessive vibration when rotating at high speeds. It may cause damage to the mower and could break, causing personal injury.

CARE AND MAINTENANCE

CHECKING THE TIRE PRESSURE (Fig. 27)

Required tools (not supplied): Tire pressure gauge; air compressor / inflator or heavy-duty bicycle pump.

Check the air pressure in all tires before use. Improper air pressure will affect handling, steering response, traction, tire life, level cutting, and operator comfort. Be sure tires are inflated to the pressure as shown in Fig. 27.

It is important for level mowing that all tires have the correct amount of air pressure. If the mower is not tracking straight, please check the air pressure of the wheels first.

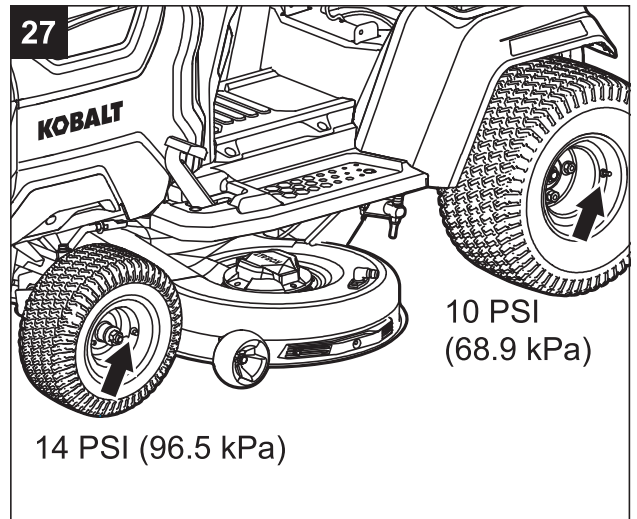
NOTICE: Tire pressure should only be measured or adjusted when tires are “cold” (the mower hasn’t been driven yet).

⚠ WARNING:

- Check the tire pressure carefully while inflating. Too much air in the tire could cause the tire to burst, causing serious personal injury.

⚠ WARNING:

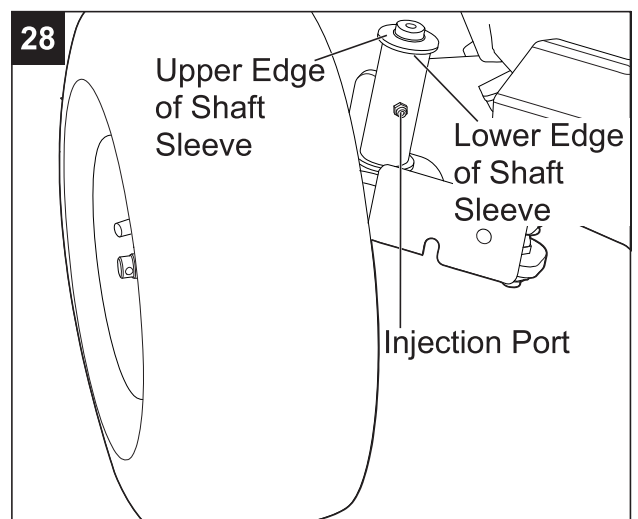
- Maintaining correct air pressure in the tires is very important. Too little pressure could allow the tire to rotate off the wheel rim. Too much pressure could cause the tire to burst. Failure to maintain correct air pressure in the tires could cause problems with mower operation and stability, causing serious personal injury.



LUBRICATING THE SHAFT SLEEVES OF THE FRONT WHEELS (Fig. 28)

Required tools (not supplied): grease syringe.

The gears of the front wheels need to be lubricated periodically with gear grease. If the front wheels of the mower rotate with abnormal noise, remove the safety key and then fill the injection ports with grease until the grease overflows the upper edge or lower edge of the shaft sleeves of the front wheels.



CARE AND MAINTENANCE

TRANSPORTING THE MACHINE (Fig. 29)

NOTICE: It is not recommended to tow the machine directly. If necessary, always make sure the rear wheels of the machine are off the ground during towing. Otherwise, the machine may be damaged.

NOTICE: When using a forklift, the machine must be transported on the bottom frame at all times! Forklift should never come in direct contact with the machine!

We recommend to keep the bottom shipping frame to facilitate the transportation of the machine later for service.

See “**TRANSPORT**” chapter earlier in this manual for safety instructions before transporting the machine.

Required equipment (not included):

- Full size pickup truck or trailer with the bed that is large enough to fit the machine.
- 3 ratchet tie-down straps.
- Measuring tape.
- Bungee cord(s) or rope.
- 2 people.
- 2 dual runner folding ATV ramps with at least 661 lbs. (300 kg) capacity and 12 in. (30.5 cm) width. The length of the ramp is determined by how high the truck/trailer bed is above ground.

For your safety, make sure that the incline of the ramps is less than 15° whenever possible.

WARNING:

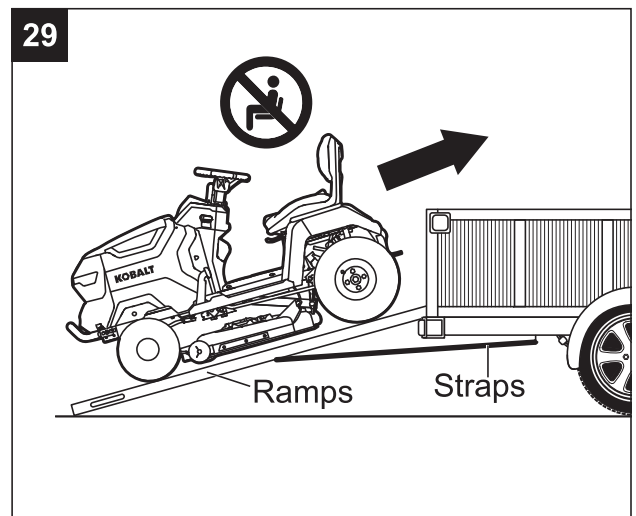
- To reduce the risk of injury and property damage, **NEVER** drive the machine up or down the ramp.

WARNING:

- **Heavy object. Two people are required to load/unload the machine.**

To load the machine onto a truck or trailer

- a. Make sure your truck or trailer is parked on a level surface. The rear of the machine should face the rear of the truck/trailer.
- b. Remove the safety key from the machine.
- c. Lift the side discharge chute and secure it in the vertical position with bungee cord(s) or a rope.
- d. Unfold the ramps and visually align the bottom of each ramp with the center of the corresponding rear wheel.
- e. Use the measuring tape to make sure that the top ends of the ramps are parallel to the bottom ends.
- f. Connect one end of the ratchet strap to the safety chain hook on the truck/trailer. Connect the other end to the hinge (or middle) of the ramp. Repeat this step with the other ramp.
- g. Tighten the straps and make sure the ramps are secure and there's no movement when you tug on the ramps or straps.



CARE AND MAINTENANCE

WARNING:

- **Always make sure the ramps are properly secured.** Improperly secured ramps may cause the machine to fall down, causing serious personal injury and damage.
- h. Use the measuring tape to once again verify that the ramps are parallel.
 - i. Make sure the machine's parking brake pedal is disengaged.
 - j. Each person should place one hand on the plastic enclosure near the control panel and the other hand on the rear fender and push the machine up the ramp. **NEVER** use the steering wheel, the deck height adjustment lever, or any part of the seat to push the machine.
 - k. Once the machine is in the bed of the truck/trailer, secure it in place using the tie-down straps. One strap to secure the front of the machine and two remaining straps to secure the hitch.
 - l. Use the steering wheel to turn the front wheels to the left or right as far as they will go.
 - m. Engage the parking brake.

To unload the machine from a truck or trailer

- a. Release the tie-down straps and disengage the parking brake.
- b. Use the steering wheel to turn the front wheels so they are parallel to the direction of the machine.
- c. Unfold the ramps and align the top of each ramp with the center of the corresponding front wheel.
- d. Use the measuring tape to make sure that the bottom ends of the ramps are parallel to the top ends.
- e. Connect one end of the ratchet strap to the safety chain hook on the truck/trailer. Connect the other end to the hinge (or middle) of the ramp. Repeat this step with the other ramp.
- f. Tighten the straps and make sure the ramps are secure and there's no movement when you tug on the straps.

WARNING:

- **Always make sure the ramps are properly secured.** Improperly secured ramps may cause the machine to fall down, causing serious personal injury and damage.
- g. Use the measuring tape to once again verify that the ramps are parallel.
 - h. Each person should place one hand on the plastic enclosure near the control panel and the other hand of the rear fender and carefully lead the machine down the ramp. **NEVER** use the steering wheel, the deck height adjustment lever, or any part of the seat to push/support the machine.

STORAGE

The following steps should be taken in order to prepare the mower for storage.

- Every six months of long-term storage, fully charge the battery for longest possible battery life.
- Remove the safety key from the mower.
- Thoroughly clean the mower. See section "**GENERAL MAINTENANCE**" in this manual for reference.
- Inspect the mower for worn or damaged parts and tighten any nuts or screws that may have become loose.
- Store the mower in a dry, clean location. Do not store it next to corrosive materials, such as fertilizer or rock salt.
- Store the mower in a covered, enclosed space, and out of the reach of children.

NOTICE: Plastic coverings trap moisture around the mower, which causes rust and corrosion.

TROUBLESHOOTING

NOTICE: Remove the safety key and then re-insert it a few minutes later to restart the mower before performing the troubleshooting procedures.

PROBLEM	CAUSE	SOLUTION
The lawn mower fails to drive when the accelerator pedal is depressed.	<ul style="list-style-type: none"> ■ The mower battery charge is low. 	<ul style="list-style-type: none"> ■ Charge the mower battery.
	<ul style="list-style-type: none"> ■ The parking-brake pedal (K) is set in the parking-brake position. 	<ul style="list-style-type: none"> ■ Fully depress the parking-brake pedal (K) to release it from the parking-brake position.
	<ul style="list-style-type: none"> ■ The parking-brake icon (d) flashes on the LCD screen. 	<ul style="list-style-type: none"> ■ Fully depress the parking-brake pedal (K) and then release it, then depress the accelerator pedal (Q) to drive the mower.
	<ul style="list-style-type: none"> ■ The operator is not sitting on the seat. 	<ul style="list-style-type: none"> ■ The mower can only be operated, when the operator is fully sitting on the seat.
	<ul style="list-style-type: none"> ■ The seat safety interlock system is not connected properly. 	<ul style="list-style-type: none"> ■ Remove the safety key (EE) from the mower and lift the back of the seat up to make sure that the cable plug is properly connected to the socket on the bottom of the seat (see chapter “Installing the Seat”). Follow the instructions in “Starting the Lawn Mower” to restart the mower to see if the mower can be started. If not, please contact Kobalt customer service and have repairs performed by a qualified service technician.
	<ul style="list-style-type: none"> ■ Under extreme cold weather, the driving function may not start successfully due to the low temperature protection. 	<ul style="list-style-type: none"> ■ Always store the mower in warm environment. Restart the mower when it is warmed up. Please do not make repeated attempts under extreme cold weather which may damage the machine. Recommended operating temperature is 32°F–104°F (0°C–40°C).
	<ul style="list-style-type: none"> ■ The travel path of the accelerator pedal (Q) is clogged with debris. 	<ul style="list-style-type: none"> ■ Check and remove the debris.
	<ul style="list-style-type: none"> ■ Failure of mechanical or electronic components of the accelerator pedal (Q). 	<ul style="list-style-type: none"> ■ Please contact Kobalt customer service and have repairs performed by a qualified service technician.
	<ul style="list-style-type: none"> ■ The direction control lever (D1) is placed in the “N” position. 	<ul style="list-style-type: none"> ■ Pull/push the direction control lever (D1) in the “D” or “R” direction.

TROUBLESHOOTING

PROBLEM	CAUSE	SOLUTION
The lawn mower stops driving.	<ul style="list-style-type: none"> When switching between forward and reverse during driving, the direction control lever (D1) stays in the neutral position, "N" for long time. 	<ul style="list-style-type: none"> Release the accelerator pedal (Q) and then depress it again.
	<ul style="list-style-type: none"> Failure of electronic components of the accelerator pedal. 	<ul style="list-style-type: none"> Please contact Kobalt customer service and have repairs performed by a qualified service technician.
	<ul style="list-style-type: none"> The seat safety interlock system got disconnected during driving on a rough terrain. 	<ul style="list-style-type: none"> Remove the safety key (EE) from the mower and lift the back of the seat up to make sure that the cable plug is properly connected to the socket on the bottom of the seat (see chapter "Installing the Seat"). Follow the instructions in "Starting the Lawn Mower" to restart the mower to see if the mower can be started. If not, please contact Kobalt customer service and have repairs performed by a qualified service technician.
	<ul style="list-style-type: none"> The operator's weight is not evenly distributed on the seat. The weight of the operator on the seat must be at least 44 lbs. (20 kg) for the seat safety interlock system to function properly 	<ul style="list-style-type: none"> Sit on the seat properly, fully depress the parking-brake pedal (K) and release it, then the mower is ready for driving.
The lawn mower fails to start the blades when the blade on/off button (G1) is activated. The "blade on" icon (f) on the LCD screen and the blade on/off button light flash.	<ul style="list-style-type: none"> The battery charge of the mower is low. 	<ul style="list-style-type: none"> Charge the mower.
	<ul style="list-style-type: none"> The mower is overloaded at the moment the blades are starting to rotate, triggering the blade motors self-protection. 	<ul style="list-style-type: none"> Start the grass cutting at lower blade speed first and do not accelerate the blade speed until the blades are rotating successfully.
	<ul style="list-style-type: none"> Under extreme cold weather, the blade motor may not start successfully due to the low temperature protection. 	<ul style="list-style-type: none"> Always store the mower in warm environment. Restart the mower when it is warmed up. Please do not make repeated attempts under extreme cold weather which may damage the machine. Recommended operating temperature is 32°F–104°F (0°C–40°C).
	<ul style="list-style-type: none"> The blade interferes with the deformed mower deck. 	<ul style="list-style-type: none"> Call Kobalt Customer Service.

TROUBLESHOOTING

PROBLEM	CAUSE	SOLUTION
The lawn mower fails to start the blades when the blade on/off button (G1) is pressed.	<ul style="list-style-type: none"> For safety reasons, the blades will turn off when the blade on/off button is pressed for more than 8 seconds. 	<ul style="list-style-type: none"> Press the blade on/off button for more than 3 seconds but not over 8 seconds to turn on the blades.
The blades stop rotating during grass cutting.	<ul style="list-style-type: none"> The mower is overloaded. 	<ul style="list-style-type: none"> Raise the deck cutting height or slow down the driving speed to reduce the load of the mower.
	<ul style="list-style-type: none"> The deck is clogged with grass and debris. 	<ul style="list-style-type: none"> Clean the deck and make certain that the blades have freedom of movement.
	<ul style="list-style-type: none"> The mower motors/battery are overheated. 	<ul style="list-style-type: none"> Reduce the load of the mower, by raising the deck cutting height or slowing down the blade/driving speed and allow the mower motors/battery to cool.
	<ul style="list-style-type: none"> The mower is in low power mode. 	<ul style="list-style-type: none"> When the mower is in low power mode, the blades are automatically switched into low rotation speed. The operator should stop working and drive to the battery charging area as soon as possible.
	<ul style="list-style-type: none"> The mower is hit by a foreign object, resulting in motor self-protection. 	<ul style="list-style-type: none"> Press the blade on/off button (G1) to turn off the blade motors and then press the blade on/off button for more than 3 seconds to restart them.
The audio indicator continues beeping.	<ul style="list-style-type: none"> The mower is in low power mode and the blades are not turned off. 	<ul style="list-style-type: none"> Press the blade on/off button (G1) to turn off the blade motors. The audio indicator will stop sounding when the blade motors are turned off.
	<ul style="list-style-type: none"> The mower stops driving on a slope without setting the parking-brake pedal at the parking brake position, or the mower stops driving on the level surface, the operator is off the seat without setting the parking-brake pedal at the parking-brake position. 	<ul style="list-style-type: none"> Set the parking-brake pedal (K) in the parking-brake position when the mower stops driving.

TROUBLESHOOTING

PROBLEM	CAUSE	SOLUTION
The start/stop button light is still illuminated when the LCD screen is turned off for over 10s.	<ul style="list-style-type: none"> ▪ The mower is failed to turn off. 	<ul style="list-style-type: none"> ▪ Charge the mower and call Kobalt customer service for repair immediately.
The LCD screen fails to be illuminated with all icons on.	<ul style="list-style-type: none"> ▪ Start/stop button (E1) has been depressed for less than 3 seconds. 	<ul style="list-style-type: none"> ▪ The LCD screen will only display the “fuel gauge” when the start/stop button is pressed briefly. ▪ The LCD screen will turn on after fully depressing the parking-brake pedal (K) and simultaneously pressing the start/stop button (E1) for more than 3 seconds.
	<ul style="list-style-type: none"> ▪ When the safety key icon (b) is flashing on the LCD screen, the safety key (EE) is not inserted. ▪ When the parking-brake icon (d) is flashing on the LCD screen, the parking-brake pedal (K) is not fully depressed. 	<ul style="list-style-type: none"> ▪ Insert the safety key (EE), then fully depress the parking-brake pedal (K) and simultaneously press the start/stop button (E1) for more than 3 seconds to turn on the LCD screen.
The mower cuts unevenly, with significant height difference front to rear.	<ul style="list-style-type: none"> ▪ The blades are dull. 	<ul style="list-style-type: none"> ▪ Sharpen or replace the cutting blades as instructed in this manual.
	<ul style="list-style-type: none"> ▪ The blades are bent. 	<ul style="list-style-type: none"> ▪ Replace the bent cutting blades following the instructions in section “REPLACING THE CUTTING BLADES”.
	<ul style="list-style-type: none"> ▪ The deck is not leveled, resulting in different cutting blade height. 	<ul style="list-style-type: none"> ▪ Level the deck following the instructions in section “LEVELING THE DECK”.
The actual grass cutting height is not aligned with the claimed height.	<ul style="list-style-type: none"> ▪ The deck nuts on the suspension linkage are loose. 	<ul style="list-style-type: none"> ▪ Follow the instructions in section “LEVELING THE DECK” to make correct front-to-rear adjustment for the mower deck and securely tighten the four nuts on the suspension linkage (two for each side).
	<ul style="list-style-type: none"> ▪ The deck is damaged or seriously worn. 	<ul style="list-style-type: none"> ▪ Follow the instructions in section “REMOVING THE DECK” to have mower deck replaced.

TROUBLESHOOTING

PROBLEM	CAUSE	SOLUTION
The mower does not mulch properly.	<ul style="list-style-type: none"> Wet grass clippings are sticking to the underside of the deck. 	<ul style="list-style-type: none"> Wait until the grass dries before mowing.
	<ul style="list-style-type: none"> The mower is set to cut too much grass at once. 	<ul style="list-style-type: none"> Raise the deck cutting height.
Excessive vibration.	<ul style="list-style-type: none"> The cutting blades are loose. 	<ul style="list-style-type: none"> Tighten the blade bolt to the recommended torque 36-41 ft-lbs. (50-55 Nm).
	<ul style="list-style-type: none"> The blades are bent. 	<ul style="list-style-type: none"> Replace the bent cutting blades following the instructions in section “REPLACING THE CUTTING BLADES”.
	<ul style="list-style-type: none"> The deck is not leveled. 	<ul style="list-style-type: none"> Level the mower deck following the instructions in section “LEVELING THE DECK”.
	<ul style="list-style-type: none"> The deck nuts on the suspension linkage are loose. 	<ul style="list-style-type: none"> Use a 23/32 in. (18mm) open-end wrench (not supplied) to tighten the four nuts on the suspension linkage (two for each side).
	<ul style="list-style-type: none"> The deck is set to cut too much grass at once. 	<ul style="list-style-type: none"> Raise the deck cutting height.
There are grass or debris remaining on the ground after mowing.	<ul style="list-style-type: none"> The deck is set to cut too much grass at once when the grass is tall. 	<ul style="list-style-type: none"> Begin with a high cutting height and reduce it until the desired mowing result is attained. Grass over 6 inches (152 mm) tall should be mowed twice, at successively lower cutting heights.
	<ul style="list-style-type: none"> The grass is wet. 	<ul style="list-style-type: none"> Do not mow when the grass is wet. Wait until the grass dries.
	<ul style="list-style-type: none"> The driving speed is high. 	<ul style="list-style-type: none"> Slow down the driving speed.
	<ul style="list-style-type: none"> The blade speed is low. 	<ul style="list-style-type: none"> Increase the blade speed gradually.
Short run time of the mower	<ul style="list-style-type: none"> Lawn terrain, grass conditions, cutting-height setting, driving speed, blade speed, etc. will greatly affect the running time. 	<ul style="list-style-type: none"> Refer to chapter “Tips to Increase the Run Time” for instructions.
The mower is not tracking straight.	<ul style="list-style-type: none"> The tire pressures of the left and right wheels are different. 	<ul style="list-style-type: none"> Check and adjust the air pressure in both front and rear wheel tires, according to section “CHECKING THE TIRE PRESSURE” in this manual.
	<ul style="list-style-type: none"> The steering wheel is not installed properly. 	<ul style="list-style-type: none"> Check and make sure the steering wheel is installed properly according to the section “Installing the Seat” in this manual.






TROUBLESHOOTING

PROBLEM	CAUSE	SOLUTION
The parking-brake pedal cannot not be released from the braking position or is slow to spring back.	<ul style="list-style-type: none"> ▪ The travel path of the parking-brake pedal (K) is clogged with debris. 	<ul style="list-style-type: none"> ▪ Check and remove the debris.
The mower cannot be charged via charging port	<ul style="list-style-type: none"> ▪ The plug of the charger is not inserted correctly into the charging port (J) on the mower. 	<ul style="list-style-type: none"> ▪ Reconnect the charger plug to see whether the mower can be charged normally.
	<ul style="list-style-type: none"> ▪ There is no power in the wall outlets. 	<ul style="list-style-type: none"> ▪ No action is needed. Wait until the power recovers.
	<ul style="list-style-type: none"> ▪ Charger malfunction. 	<ul style="list-style-type: none"> ▪ Please contact Kobalt customer service and have the charger inspected and/or repaired, if needed, by a qualified service technician.
	<ul style="list-style-type: none"> ▪ The charging port (J) on the mower is faulty. 	<ul style="list-style-type: none"> ▪ Please contact Kobalt customer service and have repairs performed by a qualified service technician.
The mower cannot be started after cleaning.	<ul style="list-style-type: none"> ▪ Improper cleaning, such as water getting on the electric components, LCD screen, etc. 	<ul style="list-style-type: none"> ▪ Follow the instructions in section “GENERAL MAINTENANCE” to clean the mower correctly.
	<ul style="list-style-type: none"> ▪ The mower caught in rain accidentally 	<ul style="list-style-type: none"> ▪ Leave the mower for over 12 hours to dry or use compressed air to dry it.
The deck gets clogged fast.	<ul style="list-style-type: none"> ▪ The deck was not properly cleaned after previous use. 	<ul style="list-style-type: none"> ▪ Clean the mower deck after each use, following the section “Using wash port to clean the deck”.
The mower easily loses traction when climbing up on the slope.	<ul style="list-style-type: none"> ▪ The tires of the rear wheels are worn. 	<ul style="list-style-type: none"> ▪ Please contact Kobalt customer service and have the wheels/tires replaced by a qualified service technician.
	<ul style="list-style-type: none"> ▪ Mowing on a steep slope. 	<ul style="list-style-type: none"> ▪ The mower should not be used to mow slopes steeper than 15 degrees.
When the mower is stopped on a slope with the parking-brake pedal (K) engaged, the mower can roll down the slope.	<ul style="list-style-type: none"> ▪ The brake components are excessively worn due to improper operation of the mower. 	<ul style="list-style-type: none"> ▪ Please contact Kobalt customer service and have repairs performed by a qualified service technician.



TROUBLESHOOTING

PROBLEM	CAUSE	SOLUTION
There is no water coming from the wash port when attempting to wash the deck.	<ul style="list-style-type: none"> ■ The wash-port quick coupler (FF) is not properly mounted onto the wash port. 	<ul style="list-style-type: none"> ■ Re-attach the wash-port quick coupler (FF) until you hear a clear “click” after firmly pushing. If this doesn't solve the problem, contact Kobalt customer service.
An abnormal sound is heard when manually pushing the mower without starting it.	<ul style="list-style-type: none"> ■ The sound comes from the magnets inside the driving motor. 	<ul style="list-style-type: none"> ■ It is normal and no action is needed.
The steering wheel (V) cannot be rotated.	<ul style="list-style-type: none"> ■ The steering wheel assembly is clogged with debris. 	<ul style="list-style-type: none"> ■ Check and remove the debris.
The mower does not turn left/right when the steering wheel (V) is rotated.	<ul style="list-style-type: none"> ■ Failure of electronic or mechanical components. 	<ul style="list-style-type: none"> ■ Please contact Kobalt customer service and have repairs performed by a qualified service technician.
The mower fails to stop when releasing the accelerator pedal (Q).	<ul style="list-style-type: none"> ■ The return path of the accelerator pedal (Q) is clogged with debris. 	<ul style="list-style-type: none"> ■ Check and remove the debris.
	<ul style="list-style-type: none"> ■ The CCS button (J1) is pressed unintentionally while driving. The mower is in cruise-control mode 	<ul style="list-style-type: none"> ■ Check if the CCS icon (a) is illuminated on the LCD screen and exit the CCS as necessary. Refer to chapter "Using Cruise Control (CCS)".
The CCS function cannot be activated or turned off.	<ul style="list-style-type: none"> ■ The CCS button (J1) is not pressed properly. 	<ul style="list-style-type: none"> ■ Press the CCS button (J1) until the CCS icon (a) is illuminated on the LCD screen or disappears from the LCD screen.
	<ul style="list-style-type: none"> ■ The driving speed is too low to activate the CCS function. 	<ul style="list-style-type: none"> ■ Increase the driving speed and activate the CCS function again.




ICONS AND FAULT CODES ON LCD SCREEN

LCD Display	Description	Audio Indicator	Cause	Solution
	Fuel Gauge (q) illuminates on the LCD screen.	No	It indicates the battery charge of the mower.	This is normal operation. No action is needed.
	Hour Meter (o) illuminates on the LCD screen.	No	It shows the total driving time of mower, in hours and cannot be reset.	This is normal operation. No action is needed.
	LED headlights icon (e) illuminates on the LCD screen.	No	The headlights are turned on by the LED headlights switch.	This is normal operation. No action is needed.
	"Blade on" icon (f) illuminates on the LCD screen.	No	The blades are turned on after pressing the blade on/off button (G1) for more than 3 seconds.	This is normal operation. No action is needed.
	"Blade on" icon (f) is flashing on the LCD screen.	No	The blades could not be turned on after pressing the blade on/off button (G1) for more than 3 seconds. The running of the blades is interrupted.	Check if the mower is overloaded or the battery charge is low. Or restart the mower and turn on the blades again, if it still fails, contact Kobalt customer service.
	Mowing in reverse icon (g) illuminates on the LCD screen.	No	It indicates the blades can be turned on when the mower moves in reverse.	This is normal operation. If needed, turn the blades off while driving in reverse following the section "To stop (exit) mowing in reverse" in the manual.






ICONS AND FAULT CODES ON LCD SCREEN

LCD Display	Description	Audio Indicator	Cause	Solution
	CCS icon (a) illuminates on the LCD screen	No	The mower continues forward at a set speed without needing to step on the accelerator pedal.	This is normal operation. If needed, turn the CCS function off following the section “ To stop (exit) Cruise Control (CCS) ” in the manual.
	CCS icon (a) is flashing on the LCD screen.	No	The CCS (cruise control system) function has failed.	The CCS function cannot be set when the mower is driving at very low speed or is driving in reverse.
			Parking-brake pedal (K) is depressed to stop the mower.	After the parking-brake pedal is released, press the CCS button and the CCS icon will illuminate on the LCD screen, or exit the CCS function following the instructions in the section “ To stop (exit) Cruise Control (CCS) ”.
	Safety key icon (b) illuminates on the LCD screen.	No	The safety key (EE) is inserted correctly.	This is normal operation. No action is needed.
	Safety key icon (b) is flashing when the LCD screen displays “fuel gauge”.		The safety key (EE) is not inserted.	Insert the safety key (EE) then fully depress the parking-brake pedal and press the start/stop button (E1) simultaneously for more than 3 seconds to turn on the mower.
			Safety key control panel is damaged.	Please contact Kobalt customer service and have repairs performed by a qualified service technician.




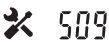
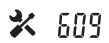
ICONS AND FAULT CODES ON LCD SCREEN

LCD Display	Description	Audio Indicator	Cause	Solution
	Parking-brake icon (d) illuminates on the LCD screen.	No	The parking-brake pedal (K) is set at the parking-brake position.	Release it before starting the mower.
	Parking-brake icon (d) is flashing when the LCD screen displays the "fuel gauge".	No	The parking-brake pedal (K) is not depressed.	With the safety key (EE) inserted, fully depress the parking-brake pedal and press the start/stop button (E1) simultaneously for more than 3 seconds to turn on the mower.
	Parking-brake icon is flashing (d) when the LCD screen displays operator interface.	No	The operator leaves the seat, then sits back to depress the accelerator pedal to drive the mower.	Fully depress the parking-brake pedal (K) and then release it. Then depress the accelerator pedal (Q) to drive the mower.
		Keeps beeping	The parking-brake pedal is not set at the parking-brake position.	The parking-brake icon (d) will illuminate on the LCD screen and the audio indicator will stop beeping as soon as the parking-brake pedal (K) is set in parking-brake position.
	Seat sensor icon (c) illuminates on the LCD screen.	No	The operator leaves the seat or the seat safety interlock system is disconnected.	If with the operator is seated on the seat and the icon is on, stop operating the mower immediately and check the seat connection. If the seat connection with the mower is confirmed, please contact Kobalt customer service and have repairs performed by a qualified service technician.
	The temperature icon (j) is flashing on the LCD screen.	One beep	The mower motors/battery are overheated.	Reduce the load of the mower by raising the deck cutting height or slowing down the blade/driving speed. Take a break and allow the mower motors/battery to cool.
			The mower motors/battery are too cold.	Please do not make repeated attempts which may damage the machine. Always store the mower in warm environment. Restart the mower when it is warmed up.

ICONS AND FAULT CODES ON LCD SCREEN

LCD Display	Description	Audio Indicator	Cause	Solution
	The alert icon (i) is flashing on the LCD screen.	One beep	The blade motor(s) are overloaded.	Raise the deck cutting height or slow the driving speed to reduce the load of the mower.
			The side discharge chute is clogged with grass and debris.	Clean the side discharge chute after each use.
			There is an interference between the blade and the mower deck.	Please contact Kobalt customer service.
			The driving motor is overloaded.	Check and make sure the driving wheels turn freely.
	Low battery message is flashing on the LCD screen	Keeps beeping until the blades are turned off by pressing the blade on/off button (G1).	The battery is low on charge and the mower is in low power mode.	Stop working and return to the battery charging area. NOTE: When the mower is in low power mode, the blades are automatically switched into low rotation speed and meanwhile the audio indicator will keep beeping. The operator should press the blade on/off button to turn off the blade motors. The audio indicator will stop beeping after the blades stop.
		Keeps beeping	The battery is nearly depleted.	The mower will stop working immediately. The operator should transport the mower to the battery charging area for charging.
	Forward direction indicator (n) illuminates on the LCD screen.	No	It indicates the mower can be driven or is driving forward.	This is normal operation. Place the direction control lever in "D", "N", or "R" position as needed.
	Reverse direction indicator (k) illuminates on the LCD screen.	No	It indicates the mower can be driven or is driving backward.	
	Neutral direction indicator (m) illuminates on the LCD screen.	No	It indicates the mower could not be driven.	

ICONS AND FAULT CODES ON LCD SCREEN

LCD Display	Description	Audio Indicator	Cause	Solution
	Low battery message and fault code (r) "102" are flashing on the LCD screen.	Keeps beeping	The battery is depleted.	The mower stops working. The operator should transport the mower to the battery charging area for charging.
	"CHARGING" icon (p) and current fuel gauge (q) illuminate on the LCD screen.	One beep	It indicates the mower battery is charging.	This is normal operation. The "CHARGING" icon will disappear and the fuel gauge displays 100% when the mower is fully charged.
CHARGING 	"CHARGING" icon (p) and temperature icon (j) are flashing on the LCD screen.	No	The battery of the mower is overheated or too cold during charging.	Wait until the battery returns to the normal temperature, then the charging will start automatically.
CHARGING	"CHARGING" icon (p) is flashing on the LCD screen.	No	The mower is not being charged properly.	Charge the mower only with the specified charger.
			Charger fault.	Check to see if the charger self-inspection can be activated when the charger is plugged in again or plugged into a different outlet. If it still fails, contact Kobalt customer service.
	Fault code (r) "509" is flashing on the LCD screen.	One beep	Left blade motor fails in rotation.	Inspect the blade first. If it is loosened, use a 9/16 in. (14 mm) torque wrench (not supplied) to tighten the bolt clockwise. The recommended torque for the blade bolt is 36-41 ft-lbs. (50-55 Nm). Otherwise, please contact customer service center and have repairs performed by a qualified service technician.
	Fault code (r) "609" is flashing on the LCD screen.	One beep	Right blade motor fails in rotation	

NOTE: For any other fault codes (r) that appear on the LCD screen, which may indicate PCBA failure, loose connection, motor failure of the driving motor, blade motors, etc., please remove the safety key and re-insert it a few minutes later to restart the mower. If this doesn't solve the problem, please contact Kobalt customer service and have repairs performed by a qualified service technician.

ACCESSORY PARTS LIST

PART	MODEL NUMBER	ITEM NUMBER
Discharge Blade Kit (x2)	KLMDDB 1052-03	6505203
Bagging Blade Kit (x2)	KLMB 1052-03	6505204
Mulch plug	KLMMMP 1052-03	6505202
Grass Bagger Kit with Rear Accessory Mount	KLMMGB 1052-03	6505201

WARRANTY

For 5 years from the date of purchase, this product is warranted for the original purchaser to be free from defects in material and workmanship. This guarantee does not cover damage due to abuse, normal wear, improper maintenance, neglect, unauthorized repair/alteration, or expendable parts and accessories expected to become unusable after a reasonable period of use. This warranty is limited to 90 days for commercial and rental use.

If you think your product meets the above guarantee criteria, please return it to the place of purchase with valid proof of purchase and the defective product will be repaired or replaced at no charge. This guarantee gives you specific legal rights, and you may also have other rights that vary from state to state.

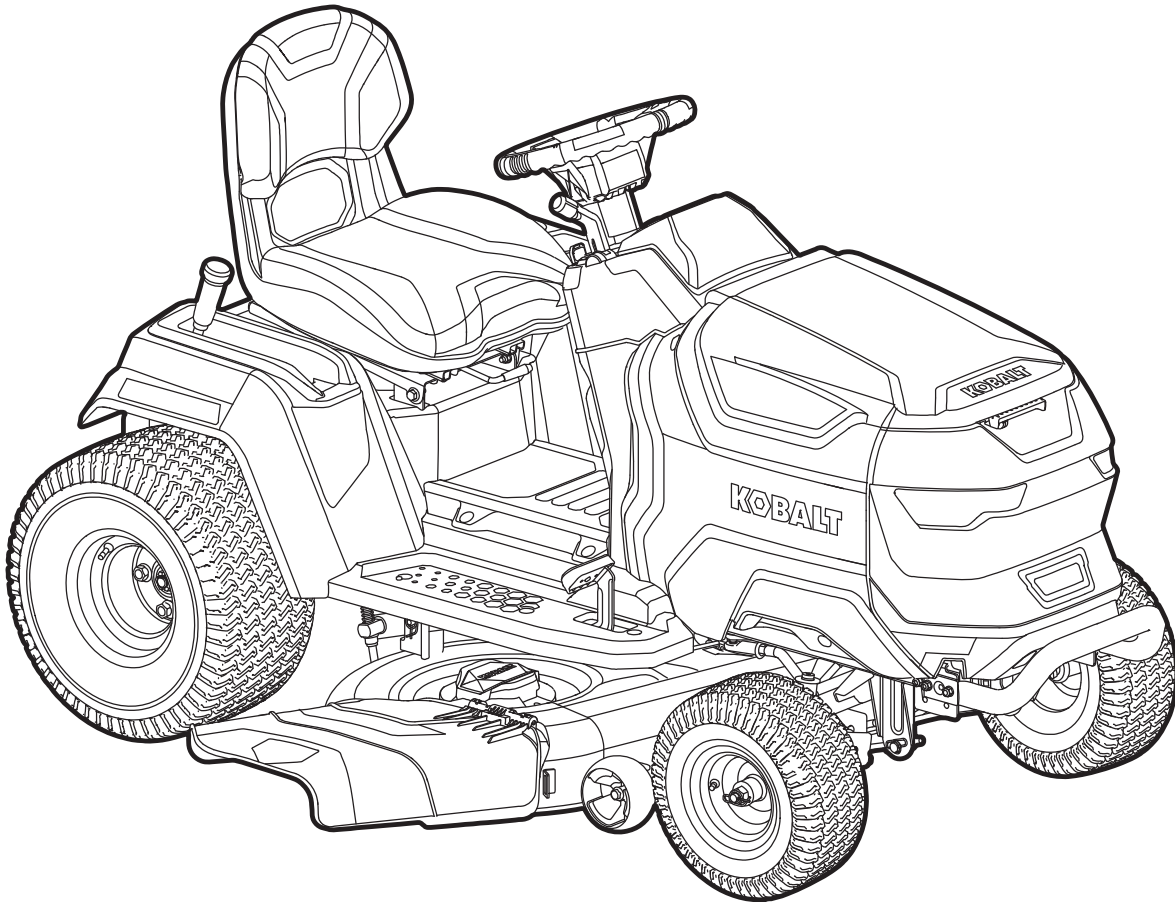
KOBALT™

ARTÍCULO #5974766
MODELO #KLMR 4252B-03

TRACTOR PODADORA DE CÉSPED DE LITIO MÁXIMO DE 42 PULG.

KOBALT y el diseño del logotipo son marcas comerciales o marcas registradas de LF, LLC. Todos los derechos reservados.

ADJUNTE SU RECIBO AQUÍ



Número de serie _____

Fecha de compra _____

¿Preguntas, problemas, piezas faltantes? Antes de volver a la tienda, llame a nuestro Departamento de Servicio al Cliente al **888-3KOBALT (888-356-2258)**, de lunes a domingo de 8 a.m. a 8 p.m., hora estándar del Este. También puede ponerse en contacto con nosotros en **ascs@lowes.com**.

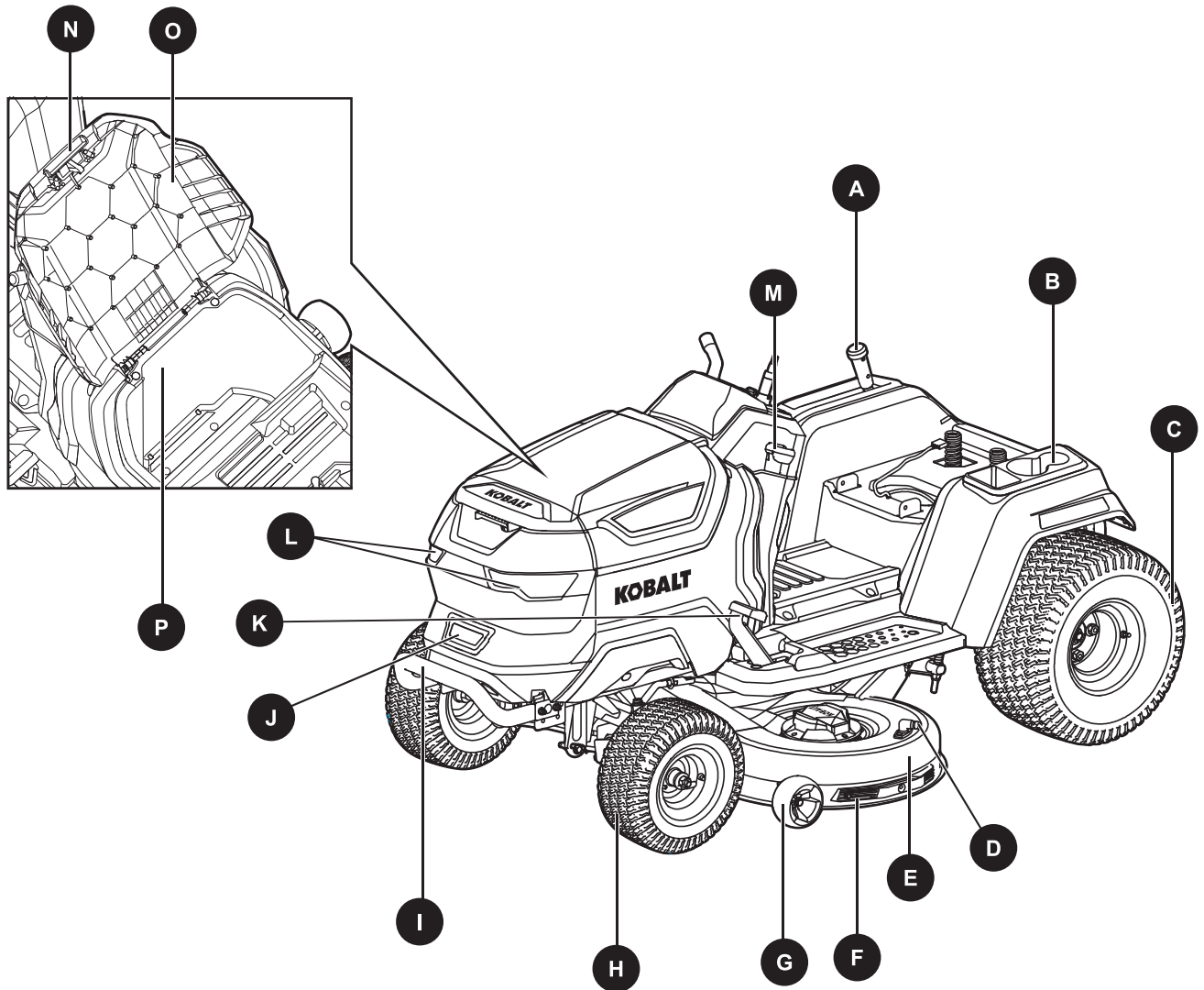
ÍNDICE

Contenido del paquete	69
Aditamentos	73
Información de seguridad	74
Preparación	81
Instrucciones de ensamblaje	84
Instrucciones de funcionamiento	91
Cuidado y mantenimiento	109
Solución de problemas	123
Garantía	139

ESPECIFICACIONES DEL PRODUCTO

COMPONENTE		ESPECIFICACIONES
Voltaje		52 V ---
Tamaño de la plataforma		42 pulg.
Tamaño de las ruedas	Delanteras	15 x 6 - 6 pulg.
	Traseras	20 x 10 - 8 pulg.
Presión de neumáticos “en frío”	Delanteras	14 PSI (96.5 kPa)
	Traseras	10 PSI (68.9 kPa)
Velocidad de la cuchilla		hasta 3000 RPM
Velocidad máxima de conducción	Avance	Hasta 5.5 mph (8.8 km/h)
	Reversa	Hasta 2.7 mph (4.4 km/h)
Ajuste de la altura de corte (12 posiciones)		38.1 – 114.3 mm (1.5 – 4.5 pulg.)
Peso máximo de remolque (peso rodante total)		272 kg (600 lb)
Grado de protección de ingreso (IP)		IPX4 (protección contra las salpicaduras)
Temperatura de carga recomendada		5 °C a 40 °C (41 °F a 104 °F)
Temperatura de operación recomendada		0 °C a 40 °C (32 °F a 104 °F)
Temperatura de almacenaje recomendada		-20 °C a 70 °C (-4 °F a 158 °F)
Peso		190 kg (419 lb)

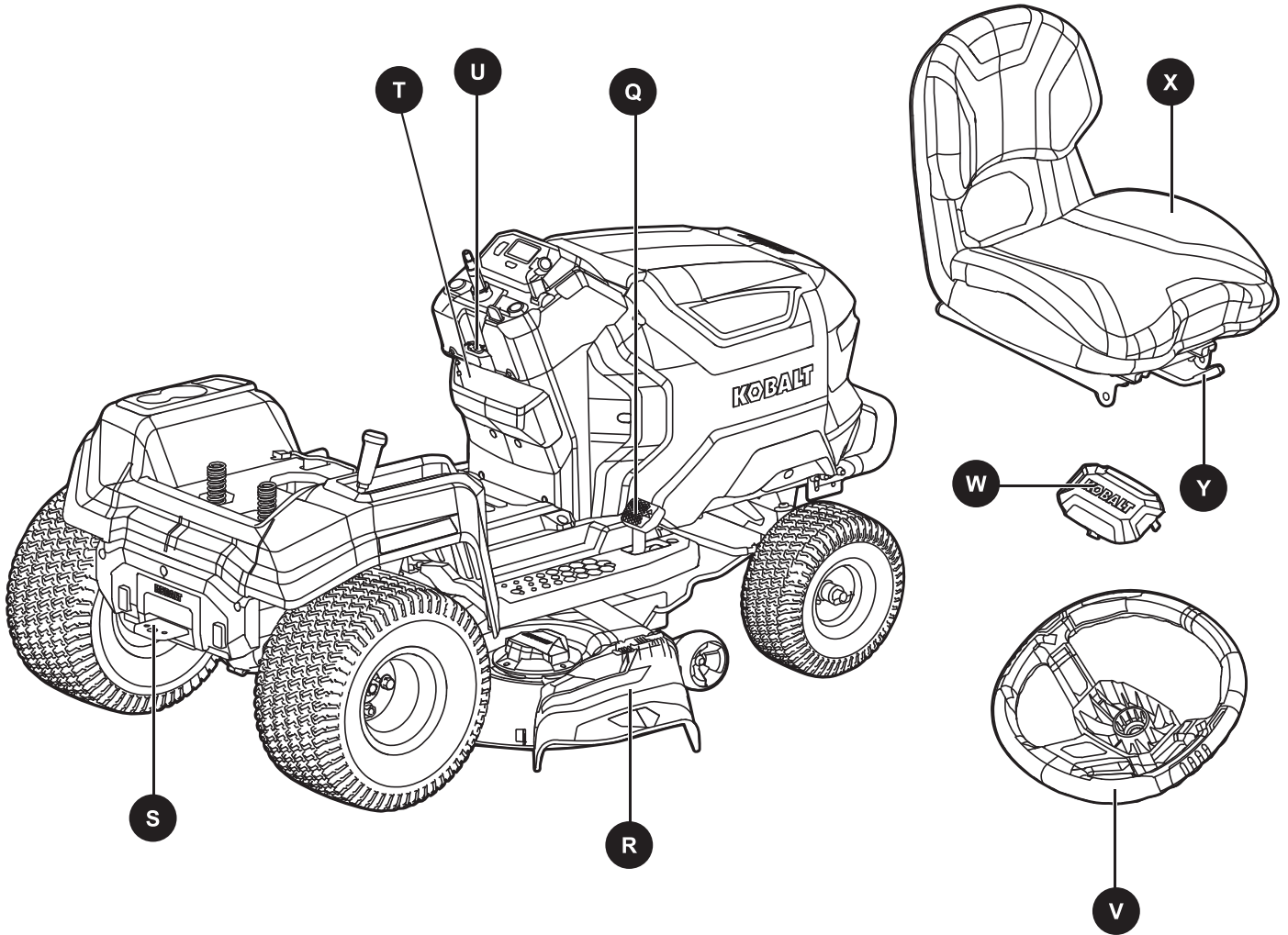
CONTENIDO DEL PAQUETE



PIEZA	DESCRIPCIÓN
A	Palanca de ajuste de altura de la plataforma
B	Portavasos y espacio de almacenamiento
C	Rueda trasera (rueda motriz) (x2)
D	Puerto de lavado
E	Plataforma
F	Protector de cubierta
G	Rueda protectora (x2)
H	Rueda delantera (x2)

PIEZA	DESCRIPCIÓN
I	Parachoques frontal
J	Puerto de carga
K	Pedal del freno de mano
L	Faro LED (x2)
M	Palanca de bloqueo del freno de mano
N	Botón de liberación de la cubierta del compartimiento de almacenamiento
O	Cubierta del compartimiento de almacenamiento
P	Compartimiento de almacenamiento: capacidad máxima: 30 kg (66 lb)

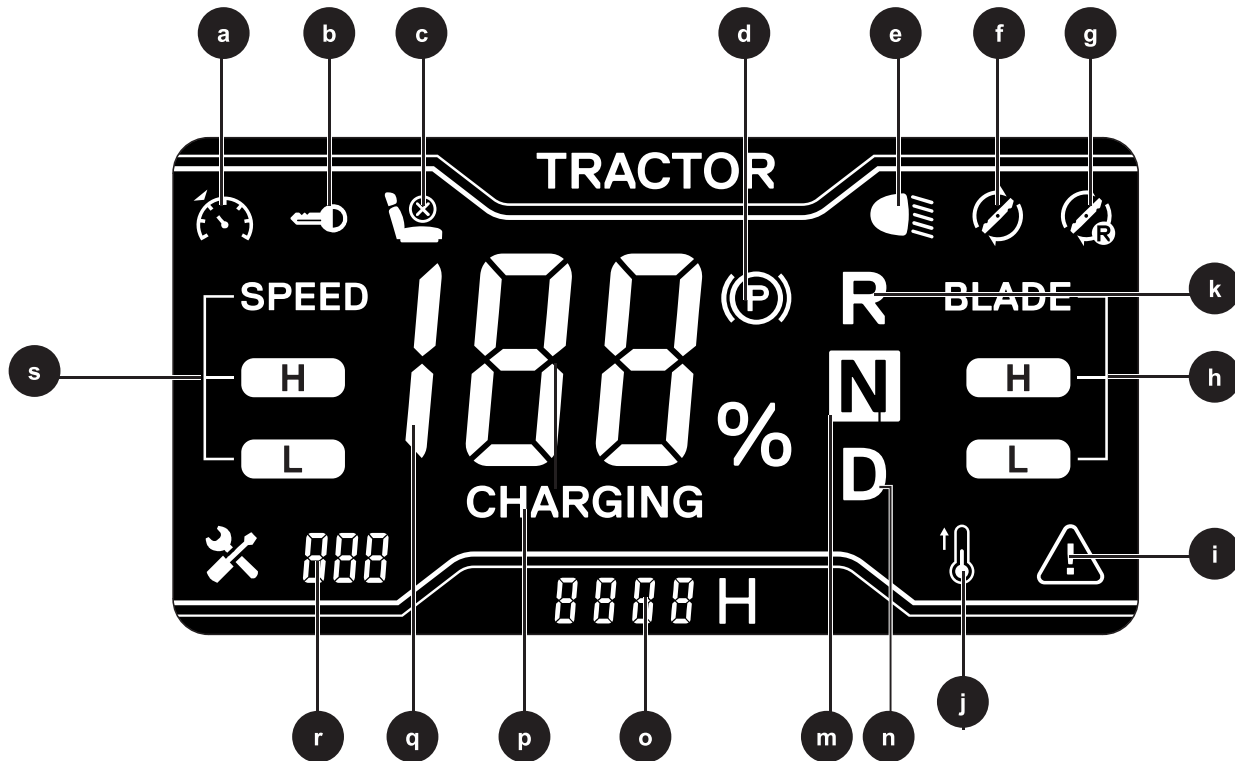
CONTENIDO DEL PAQUETE



PIEZA	DESCRIPCIÓN
Q	Pedal acelerador
R	Conducto de descarga lateral
S	Enganche
T	Caja para almacenamiento
U	Puerto USB tipo A

PIEZA	DESCRIPCIÓN
V	Volante
W	Cubierta contra polvo
X	Asiento
Y	Palanca de ajuste de la posición del asiento

CONTENIDO DEL PAQUETE



PIEZA	DESCRIPCIÓN
a	Ícono de control de cruceo (CCS)
b	Ícono de llave de seguridad
c	Ícono del sensor del asiento
d	Ícono del freno de mano
e	Ícono de los faros LED
f	Ícono de "cuchillas encendidas"
g	Ícono de "corte en reversa"
h	Indicador de la velocidad de las cuchillas
i	Ícono de alerta

PIEZA	DESCRIPCIÓN
j	Ícono de temperatura
k	Indicador de dirección de reversa
m	Indicador de dirección neutral
n	Indicador de dirección hacia delante
o	Contador horario
p	Ícono de "CARGANDO"
q	Indicador de combustible
r	Indicador de código de falla
s	Indicador de velocidad de conducción

NOTA: El texto "TRACTOR" en la pantalla LCD equivale al nombre del producto "MOWER" (PODADORA).

NOTA: Consulte la sección "ÍCONOS Y CÓDIGOS DE FALLA EN LA PANTALLA LCD" para obtener más información sobre los íconos e indicadores en la pantalla LCD.

CONTENIDO DEL PAQUETE

ADVERTENCIA:

- Retire la máquina del paquete y examínela cuidadosamente. No deseche la caja ni ningún material de embalaje hasta que haya examinado todas las piezas.
- Si falta alguna pieza de la máquina o si está dañada, no la use hasta reparar o reemplazar dicha pieza. Si no tiene en cuenta la presente advertencia, podría resultar gravemente herido.

ADITAMENTOS (NO SE MUESTRAN A ESCALA)

AA



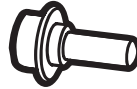
Tuerca M12
Cant. 1

BB



Arandela
Cant. 1

CC



Perno de cuello
cuadrado
Cant. 2

DD



Tuerca M8
Cant. 2

EE



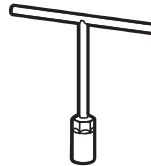
Llave de
seguridad
Cant. 2

FF



Puerto de lavado con
acoplador rápido
Cant. 1

GG



Llave de tuerca de
18 mm
Cant. 1

HH



Llave de
combinación
Cant. 2

INFORMACIÓN DE SEGURIDAD




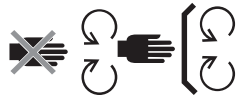



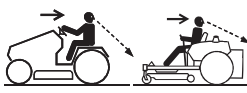


Antes de intentar ensamblar o utilizar el producto, asegúrese de haber leído y comprendido este manual por completo.

ADVERTENCIA:


- La operación de cualquier herramienta eléctrica puede arrojar objetos extraños a los ojos y, de esta manera, causar graves daños oculares. Use siempre lentes o gafas de seguridad con protecciones laterales y, cuando sea necesario, un protector facial que cubra todo el rostro antes de comenzar a operar una herramienta eléctrica. Recomendamos usar una máscara de seguridad de visión amplia sobre los lentes o gafas de seguridad con protecciones estándar. Siempre use lentes de protección que cumplan con la norma ANSI Z87.1.

! INFORMACIÓN DE SEGURIDAD

Algunos de los siguientes símbolos pueden aparecer en esta máquina. Obsérvelos y aprenda su significado. La interpretación correcta de estos símbolos le permitirá utilizar la máquina de manera más eficaz y segura.

SÍMBOLO	DEFINITION	SÍMBOLO	DEFINITION
V	Voltios	--- o CC	Corriente continua
	Peligro, advertencia o precaución. Significa "¡Atención! Está poniendo en riesgo su seguridad".		Para reducir el riesgo de lesiones, el usuario debe leer el manual de instrucciones.
	Siempre use gafas o lentes de seguridad con protecciones laterales y un protector facial que cubra todo el rostro cuando opere este producto.		No abra ni retire los protectores de seguridad mientras el producto está en funcionamiento.
	Mantenga las manos y los pies alejados de las piezas giratorias para reducir el riesgo de lesiones. No opere la unidad a menos que la cubierta de descarga o la bolsa para césped estén en su lugar adecuado. Si están dañadas, reemplácelas de inmediato.		No opere cuando haya niños u otras personas alrededor.
	Nunca transporte a niños ni a nadie, incluso cuando las cuchillas estén apagadas.		Mire siempre hacia abajo y hacia atrás antes y durante las maniobras de marcha atrás o los giros. Asegúrese de que los niños, transeúntes y mascotas estén alejados del área.
	Tenga especial precaución en las pendientes. No corte en pendientes de más de 15 grados. No lo utilice en pendientes cerca de aguas abiertas.		Retire los objetos que pueda lanzar la cuchilla en cualquier dirección. Use gafas de seguridad.

INFORMACIÓN DE SEGURIDAD

	<p>Manténgase al menos a dos anchos de corte (7 pies/2.13 m) de distancia de zanjas, desniveles o agua para evitar accidentes al caer por el borde o al agua.</p>		
---	---	--	--

INSTRUCCIONES DE SEGURIDAD PARA PODADORAS DE CÉSPED

PELIGRO:

- Esta máquina puede amputar extremidades y arrojar objetos. El incumplimiento de las siguientes instrucciones de seguridad podría provocar lesiones graves o la muerte.

ADVERTENCIA:

- No exponga la podadora al fuego o a una temperatura excesiva. La exposición al fuego o a temperaturas por encima de los 130 °C (265 °F) podría causar una explosión.

Información general

- Lea, comprenda y siga las instrucciones y advertencias que se encuentran tanto en este manual como en la máquina y en los accesorios.
- Solo permita que usen la máquina personas que sean responsables, estén capacitadas y familiarizadas con las instrucciones y sean físicamente aptas para operarla.
- No transporte pasajeros y mantenga alejados a los transeúntes.
- No use la podadora bajo los efectos del alcohol o las drogas.
- Siga las recomendaciones del fabricante en cuanto a pesos o contrapesos de las ruedas.

Preparación antes de la operación

- Limpie el área de trabajo y retire cualquier objeto que pudiera salir despedido o que interfiera en el funcionamiento de la máquina.
- Mantenga a los transeúntes, especialmente a los niños pequeños, alejados del área de operación. Detenga la máquina y los accesorios si alguien se acerca al área.
- No use la podadora si el colector de césped completo, el conducto de descarga u otros dispositivos de seguridad no se encuentran en su lugar y en perfecto funcionamiento. Verifique con frecuencia si hay signos de desgaste o deterioro, y reemplace las piezas según sea necesario.

INFORMACIÓN DE SEGURIDAD

- Utilice equipo de protección personal adecuado, como gafas de seguridad, auriculares de seguridad y calzado.


Funcionamiento

- Use la máquina únicamente a la luz del día o con una buena luz artificial.
- Evite los orificios, surcos, protuberancias, piedras u otros peligros ocultos. Los terrenos desparejos pueden causar que la máquina se dé vuelta o que el operador pierda el equilibrio o la posición.
- No ponga las manos ni los pies cerca de las piezas giratorias o debajo de la máquina. Manténgase alejado de la abertura de descarga en todo momento.
- No dirija el material de descarga hacia nadie. Evite descargar material contra una pared o una obstrucción. El material puede rebotar hacia el operador. Detenga las cuchillas al cruzar superficies de gravilla.
- No deje una máquina funcionando sin supervisión. Estacione la unidad siempre en un terreno nivelado, desenganche el accesorio, ponga el freno de mano y detenga el motor.
- No corte en reversa, a menos que sea absolutamente necesario. Siempre mire hacia abajo y hacia atrás antes de retroceder.
- Evite cortar el césped mojado. Cortar en superficies mojadas puede provocar la pérdida de control y que las ruedas se hundan en el césped blando.
- Si se presenta alguna situación que no aparece en este manual, tenga cuidado y aplique su criterio. Póngase en contacto con el Servicio al Cliente de Kobalt para obtener ayuda.

Especificaciones para niños

- Pueden ocurrir accidentes trágicos si el operador no está alerta de la presencia de los niños. Generalmente, a los niños les atrae esta máquina y el proceso de podado. Nunca suponga que los niños permanecerán donde los vio por última vez.
- Mantenga a los niños fuera del área de trabajo y bajo la estricta vigilancia de un adulto responsable que no sea el operador.
- No transporte niños, incluso con las cuchillas retiradas. Los niños podrían caerse y sufrir lesiones graves o interferir con el funcionamiento seguro de la máquina. Los niños a los que se les ha dado paseos en el pasado podrían aparecer repentinamente en el área de corte para dar otro paseo y ser víctimas de atropello por la máquina.

Especificaciones sobre la pendiente

 **ADVERTENCIA:** Las pendientes son un factor importante relacionado con los accidentes. El funcionamiento en pendientes requiere precauciones adicionales.

- Muévase en la dirección recomendada por el fabricante en las pendientes. Tenga cuidado al operar cerca de desniveles.
- No use la máquina bajo ninguna circunstancia si duda del funcionamiento de la tracción, la dirección o la estabilidad, ya que los neumáticos se pueden deslizar aun si las ruedas están detenidas.
- Siempre mantenga la máquina en marcha cuando descienda por las pendientes. No descienda por inercia.

INFORMACIÓN DE SEGURIDAD


- Evite arrancar y detenerse en pendientes. Evite realizar cambios bruscos de velocidad o dirección. Realice los cambios de manera suave y gradual.
- Tenga especial cuidado al operar la máquina con un colector de césped u otros accesorios. Pueden afectar la estabilidad de la máquina.


Para transportar

- Utilice rampas de ancho adecuado para cargar y descargar una máquina para su transporte.

Transporte

- La máquina es pesada y puede provocar graves lesiones por aplastamiento. Tenga mucho cuidado al cargarla o descargarla de un vehículo o remolque.
- Utilice rampas de ancho adecuado para cargar la máquina en un remolque o camión.
- Utilice un remolque aprobado para transportar la máquina. Conecte el freno de mano eléctrico al soltar el pedal del acelerador y, con la palanca de bloqueo del freno de mano levantada, pise a fondo el pedal del freno para conectarlo. Sujete la máquina con dispositivos aprobados, como correas, cadenas o cintas.
- Se deben usar correas de amarre delanteras y traseras dirigidas hacia abajo y hacia afuera de la máquina.

 **PELIGRO:** Tenga mucha precaución al cargar la máquina en un camión o remolque con rampas. Existe la posibilidad de sufrir lesiones graves o la muerte si la máquina se cae de las rampas.

 **ADVERTENCIA:** El freno de mano no es suficiente para bloquear la máquina en su lugar durante el transporte. Asegúrese de que la máquina esté bien sujeta al vehículo de transporte. Coloque siempre la máquina en reversa sobre el vehículo de transporte para evitar que se vuelque.

- No opere esta máquina en vías públicas.
- Compruebe y respete las normas de tráfico locales antes de transportar la máquina por carretera.
- No remolque esta máquina; podría causar daños al sistema de accionamiento.
- Para reducir el riesgo de lesiones y daños materiales, NUNCA suba o baje la máquina por la rampa. ¡No la levante! La máquina no está diseñada para levantarse manualmente.
- Al cargar o descargar esta máquina, no utilice más del ángulo de operación máximo recomendado de 15 grados.


Remolque

- **No remolque un carro que exceda los 272 kg (600 libras) de peso total rodante.** El peso del carrito y otras especificaciones se incluyen en el manual del propietario suministrado con su carrito.
- **Conecte el carrito únicamente al enganche.** Riesgo de lesiones personales o daños materiales.
- **Nunca permita que niños u otras personas entren o suban al carrito.** Riesgo de lesiones personales.
- **No remolque en pendientes.** El peso del carrito remolcado puede causar pérdida de tracción, pérdida de control y de la capacidad de detenerse al remolcar en una superficie inclinada.

INFORMACIÓN DE SEGURIDAD

- **Tenga siempre especial cuidado al remolcar su podadora.** Haga giros amplios para evitar doblarse. Use con cuidado cuando se mueva en reversa.
- **Conduzca a baja velocidad y deje una distancia adicional para detenerse.**
- **No remolque cerca de zanjas, canales y otros peligros.** Existe riesgo de pérdida de tracción o control.
- **Siga todas las advertencias e instrucciones proporcionadas por el fabricante del carrito.** El incumplimiento de todas estas instrucciones puede causar lesiones personales o daños a la propiedad.
- **Siga las recomendaciones del fabricante sobre los límites de peso para equipos de remolque y sobre el remolque de cargas en pendientes.**

Reparación

 **ADVERTENCIA:** Los componentes de la bolsa para césped, el conducto de descarga lateral y el tapón para compuesto orgánico pueden desgastarse y dañarse, lo que puede dejar expuestas las piezas móviles y permitir que se arrojen objetos y que aumente el riesgo de lesiones. Para una protección de seguridad, verifique frecuentemente todos los componentes y reemplace los dañados de inmediato con piezas de repuesto idénticas, incluidas en este manual.

- Mantenga la máquina en buen estado de funcionamiento. Reemplace las piezas desgastadas o dañadas. Compruebe de forma periódica el motor y los frenos.
- Tenga cuidado al dar mantenimiento a las cuchillas. Envuelva las cuchillas o use guantes. Reemplace las cuchillas dañadas. No repare ni modifique las cuchillas.
- Detenga siempre el motor y retire la llave de seguridad antes de realizar tareas de mantenimiento, limpieza o extracción de material de la podadora de césped.
- Después de golpear un objeto extraño, detenga el motor, retire la llave de seguridad, espere a que las cuchillas dejen de girar e inspeccione minuciosamente la podadora de césped en busca de daños. Repare los daños antes de usar la podadora de césped.
- Permita que solo una persona capacitada repare la podadora de césped, mediante el uso solo de piezas de repuesto idénticas. Esto mantendrá la seguridad de la podadora de césped.
- Siga las instrucciones para reemplazar accesorios.
- Mantenga la podadora de césped libre de acumulación de grasa, suciedad y otros materiales posiblemente combustibles.
- Mantenga tuercas, pernos y tornillos ajustados para asegurarse de que la podadora se encuentra en una condición de trabajo segura.
- Nunca retire o manipule los dispositivos de seguridad. Verifique con regularidad que funcione correctamente. Nunca haga algo para interferir con la función para la que fue diseñado el dispositivo de seguridad o para disminuir la protección que proporciona el dispositivo de seguridad.
- Conserve o reemplace las etiquetas de seguridad o de instrucciones según sea necesario.
- Recargue el paquete de baterías solo con el cargador especificado por el fabricante. Un cargador adecuado para un tipo de paquete de baterías puede suponer un riesgo de incendio cuando se usa con otro paquete de baterías diferente.
- No cargue la podadora bajo la lluvia o en lugares mojados.
- No utilice la podadora a batería bajo la lluvia.

INFORMACIÓN DE SEGURIDAD

- No lave la podadora de césped con una manguera; evite que ingrese agua al motor y a las conexiones eléctricas.
- Almacene la podadora en interiores. Cuando no esté en uso, se debe almacenar en un lugar seco, en interiores y fuera del alcance de los niños.

Advertencias adicionales

- El paquete de baterías está integrado con el producto y no se debe retirar.
- Utilícelo solo con el cargador de baterías KOBALT KRC 752-03.
- El manual del cargador se suministra por separado e incluye normas de seguridad específicas e instrucciones de funcionamiento. Consulte el manual del cargador para conocer las normas de seguridad y las instrucciones de funcionamiento detalladas.

Declaración de la FCC

- a Este dispositivo cumple con la sección 15 de las reglas de la FCC. El funcionamiento está sujeto a las siguientes dos condiciones:
- a) Este dispositivo no debe causar interferencia perjudicial.
 - b) Este dispositivo deberá aceptar cualquier interferencia recibida, inclusive la interferencia que pudiese causar la operación no deseada.
- b Los cambios o las modificaciones que no estén expresamente aprobados por la parte responsable del cumplimiento podrían anular la autorización del usuario para utilizar el equipo.

AVISO: Este equipo se probó y se verificó su cumplimiento con los límites para un dispositivo digital de clase B, conforme a la sección 15 de las reglas de la Comisión Federal de Comunicaciones (FCC, por sus siglas en inglés). Estos límites están diseñados para proporcionar protección razonable contra interferencias perjudiciales en una instalación residencial. Este equipo genera, utiliza y puede irradiar energía de radiofrecuencia y, si no se instala y usa según las instrucciones, puede causar interferencias perjudiciales para las comunicaciones de radio. Sin embargo, no se garantiza que no se producirán interferencias en una instalación en especial. Si este equipo causa interferencia perjudicial a la recepción de radio o televisión, lo que se puede determinar al encender y apagar el equipo, se recomienda al usuario que intente corregir la interferencia con una o más de las siguientes medidas: reorientar o reubicar la antena de recepción. Aumentar la separación entre el equipo y el receptor. Conectar el equipo a un tomacorriente de un circuito distinto al que usa el receptor. Solicitar ayuda al distribuidor o a un técnico con experiencia en radio/TV.

PREPARACIÓN

Conozca su podadora de césped

Su podadora se diseñó para los fines que se enumeran a continuación:

- Cortar su césped

Antes de comenzar a ensamblar el producto, asegúrese de tener todas las piezas. Compare las piezas con la lista del contenido del paquete y la lista de aditamentos. No intente ensamblar el producto si falta alguna pieza o si alguna está dañada.

Herramientas necesarias para desembalar:

- Tijeras o tijeras de corte lateral (no incluidos)
- Dos llaves inglesas combinadas (incluidas)

Herramientas necesarias para el montaje y el ajuste:

- Dos llaves inglesas combinadas (incluidas)
- Una llave de tuerca de 18 mm (incluida)

ADVERTENCIA:

- Sea cuidadoso, incluso si está familiarizado con la herramienta. Recuerde que tan solo un momento de descuido es suficiente para causar lesiones graves.
- Antes de intentar utilizar cualquier máquina, asegúrese de familiarizarse con todas las características de funcionamiento e instrucciones de seguridad.
- No intente modificar esta máquina ni crear accesorios que no sean recomendados para utilizar con la misma. Toda alteración o modificación se considera un uso indebido y podría dar lugar a una situación peligrosa que resulte en lesiones graves.

1. Desembalaje

ADVERTENCIA:

- Para reducir el riesgo de lesiones o daños a la podadora, no utilice un cuchillo para cortar las correas de nailon. Use tijeras o tijeras de corte lateral.

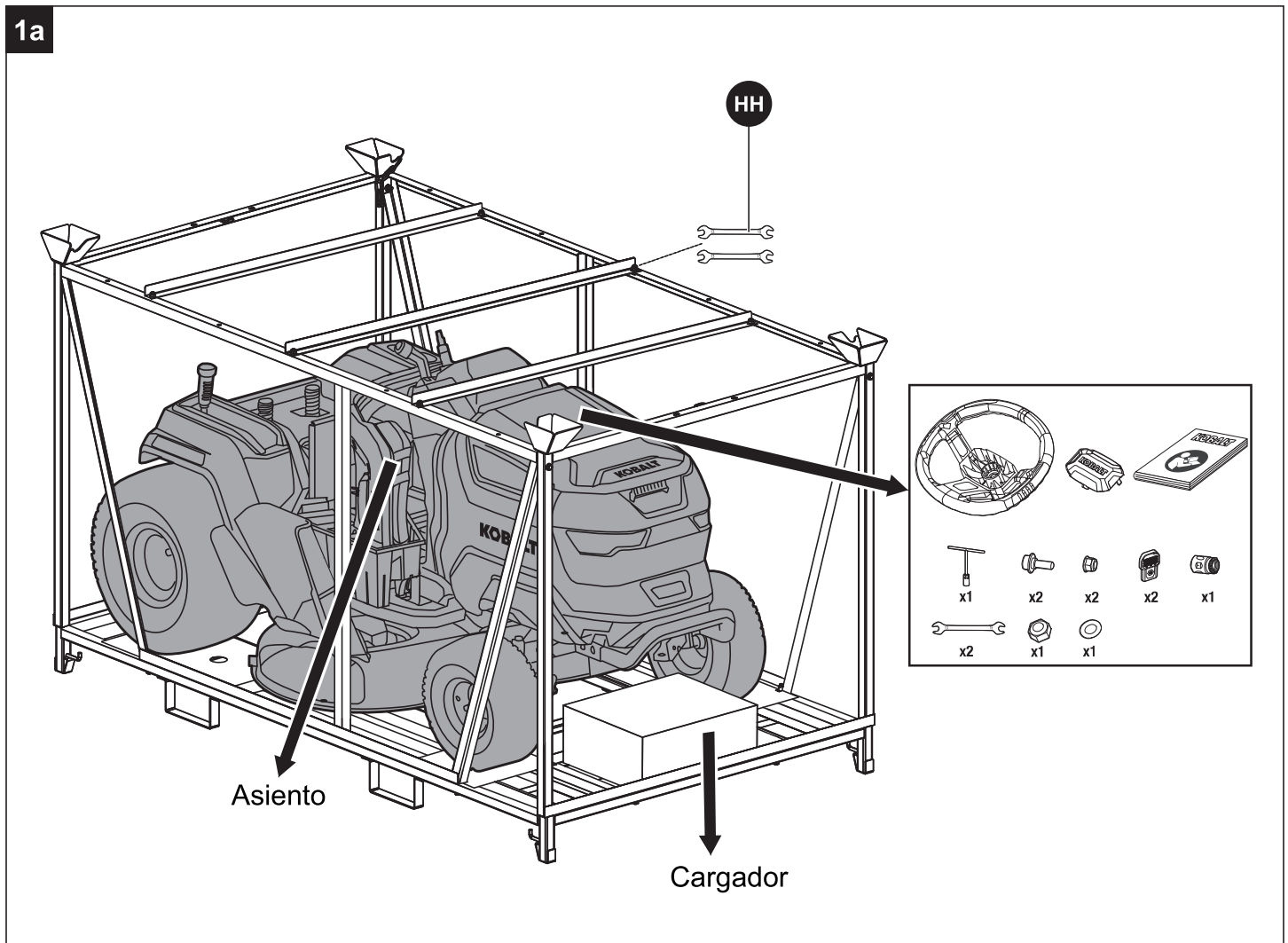
ADVERTENCIA:

- Para reducir el riesgo de daños, quítese los relojes u otros objetos frágiles y valiosos de sus muñecas. Existe riesgo de contacto accidental con elementos de estructura de acero.
- a. Retire la cubierta de plástico de la estructura y la cubierta de papel de la parte superior de la estructura.
 - b. Utilice los extremos de 13 mm de las llaves inglesas combinadas (HH) para quitar los 18 pernos que sujetan la estructura (Fig. 1a) y, luego, retire el marco.

NOTA: Para simplificar y acelerar el proceso, utilice una llave de percusión con un casquillo de 13 mm (1/2 pulg.) (no incluida).

- c. Abra la tapa del compartimiento de almacenamiento, saque el volante, los accesorios y el manual.
- d. Corte las correas de nailon, retire la caja del cargador y el asiento.

PREPARACIÓN



e. Retire y deje a un lado todos los embalajes y materiales de embalaje accesibles. No se deshaga del material de embalaje hasta que haya inspeccionado con cuidado y utilizado satisfactoriamente el producto.

f. Si hay disponible una rampa adecuada de ancho completo, colóquela contra el marco inferior, cerca de las ruedas delanteras. No exceda el ángulo de funcionamiento máximo recomendado de 15°. La podadora se puede retirar del marco sin rampa. Dos piezas de madera de 2x4 ayudan a reducir la “caída” desde el marco inferior hasta el suelo.

g. Presione el pedal del freno de mano (K) para liberarlo de la posición del freno de mano. Se requiere un esfuerzo considerable para soltar el pedal del freno de mano con la mano. ¡Empuje con fuerza!

⚠ PRECAUCIÓN: Objeto pesado. Se requiere empuje en equipo. Se necesitan al menos dos personas para empujar esta podadora fuera del marco de acero.

h. Sujete las esquinas traseras y las áreas alrededor del asiento de la podadora simultáneamente en ambos lados y empuje despacio la podadora fuera del marco de acero en dirección hacia adelante (Fig. 1b).

AVISO: EMPUJE LA PODADORA SOLO HACIA ADELANTE. Tirar de la podadora hacia atrás desde el marco de acero puede causar daños a la plataforma de corte de la podadora. ¡Retire siempre la podadora del marco en dirección hacia delante!

PREPARACIÓN

AVISO: ¡La podadora debe transportarse en todo momento sobre el marco inferior! ¡El montacargas nunca debe entrar en contacto directo con la podadora! Hacerlo podría causar daños. Recomendamos conservar el marco inferior para facilitar el transporte posterior de la podadora para su mantenimiento.

i. Corte la correa de nailon que sujeta el conducto de descarga lateral una vez que la podadora esté en el suelo.

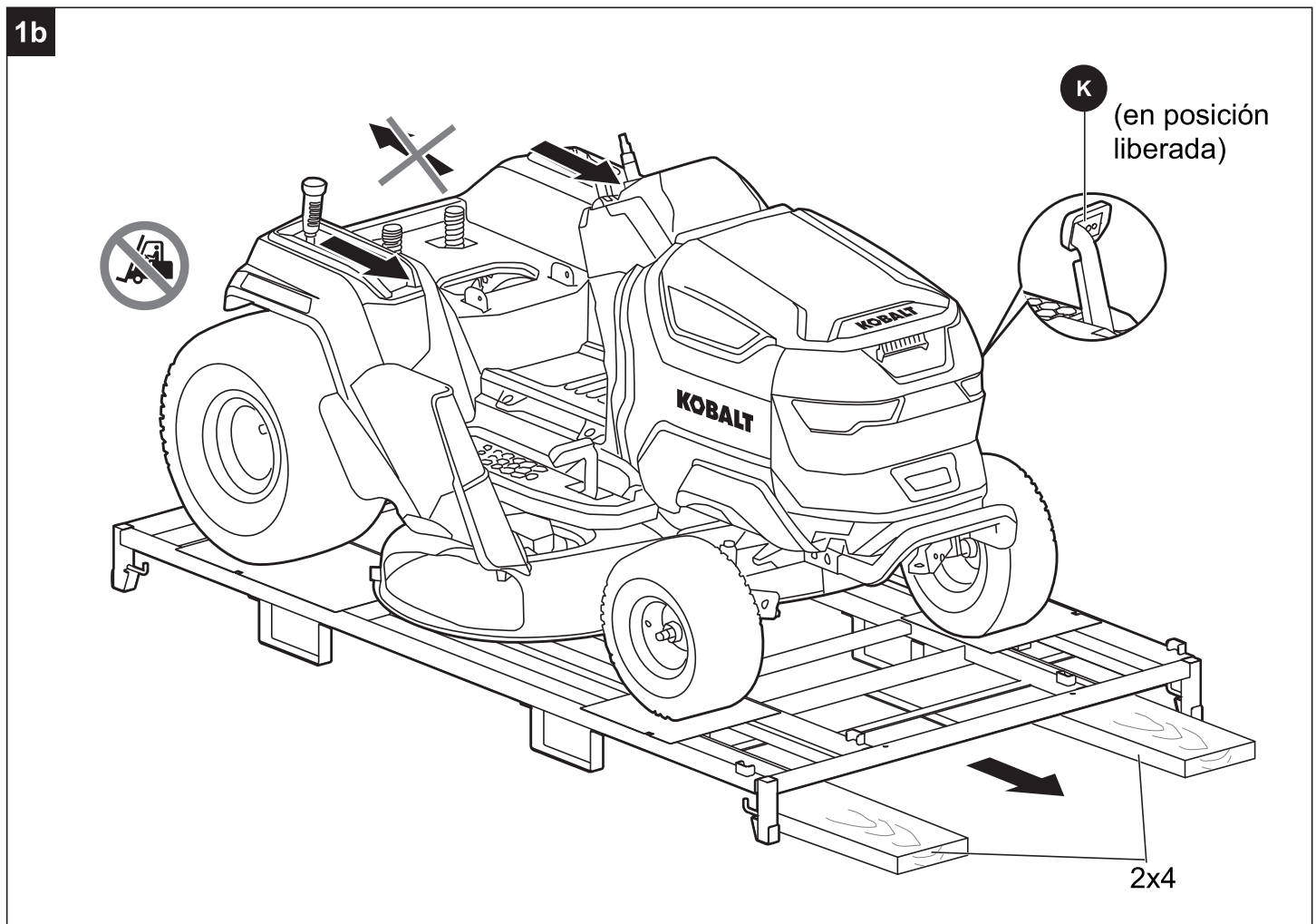
⚠ PRECAUCIÓN: Si, luego de desembalar el producto, nota que ya tiene algunas piezas de la lista de empaque ensambladas, no lo use. El fabricante no vende el producto con las piezas de la lista de empaque ensambladas. El cliente debe hacerlo. Si se usa un producto con piezas ensambladas incorrectamente, se pueden producir lesiones personales graves.

- Inspeccione el producto para asegurarse de que no se produjo ninguna ruptura o daño durante el envío.
- Si alguna pieza está dañada o falta, póngase en contacto con el Servicio al Cliente de Kobalt.

Aditamentos utilizados

HH

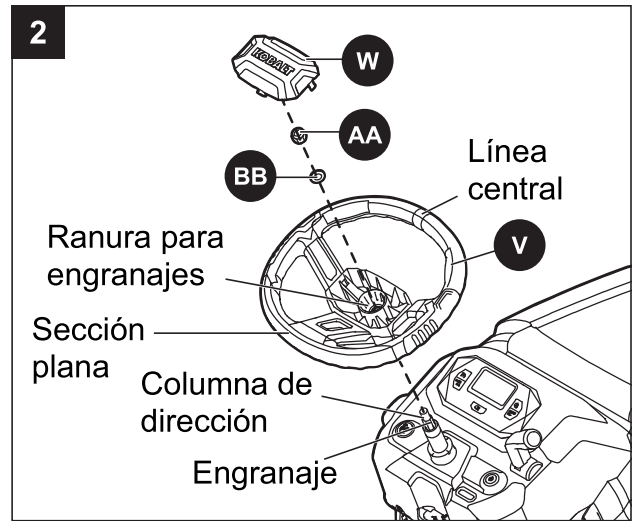
Llave de combinación  x 2



INSTRUCCIONES DE ENSAMBLAJE

2. Instalación del volante

- Retire la arandela (BB) y la tuerca M12 (AA) de la bolsa de accesorios y déjelas a un lado.
- Con las ruedas delanteras de la podadora apuntando hacia adelante, monte el volante (V) en la columna de dirección manteniendo la línea central apuntando hacia adelante y la sección plana mirando hacia el asiento.
- Gire un poco el volante (V) hasta que la ranura del engranaje del orificio de montaje quede alineada con el engranaje de la columna de dirección.
- Monte la arandela (BB) y la tuerca (AA). Apriételas firmemente con la llave de tuerca de 18 mm (GG). El par recomendado es de 29.5 a 33.2 pies-libras. (40-45 Nm).
- Coloque correctamente la tapa antipolvo (W) en el volante (V).



Aditamentos utilizados

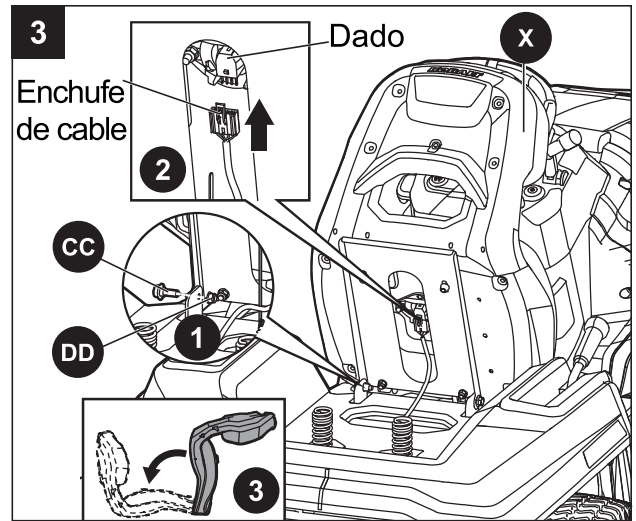
AA	Tuerca M12		x 1
BB	Arandela		x 1
GG	Llave de tuerca de 18 mm		x 1

INSTRUCCIONES DE ENSAMBLAJE




3. Instalación del asiento

La podadora incorpora un sistema de bloqueo de seguridad que detendrá los motores de accionamiento y los motores de las cuchillas cuando el operador se levanta del asiento por cualquier motivo mientras la podadora está en funcionamiento. Esta es una característica de seguridad diseñada para evitar que se salga de control o se enrede accidentalmente.

- Retire los dos juegos de perno escalonado (CC) y tuerca M8 (DD) de la bolsa de accesorios y déjelos a un lado.
- Coloque el asiento (X) sobre su frente y alinee los dos orificios de montaje con los orificios de la base de suspensión.
- Inserte los dos juegos de pernos (CC) y tuercas (DD) y apriételos firmemente con las llaves inglesas combinadas (HH). El par recomendado es de 13.3 a 14.8 pies-libras. (18–20 Nm).
- Inserte el enchufe del cable en el enchufe situado en la parte inferior del asiento. Esto conecta el sistema de bloqueo de seguridad.
- Gire el asiento para colocarlo sobre la base de suspensión.



Aditamentos utilizados

CC	Perno de cuello cuadrado		x 2
DD	Tuerca M8		x 2
HH	Llave de combinación		x 2

INSTRUCCIONES DE ENSAMBLAJE

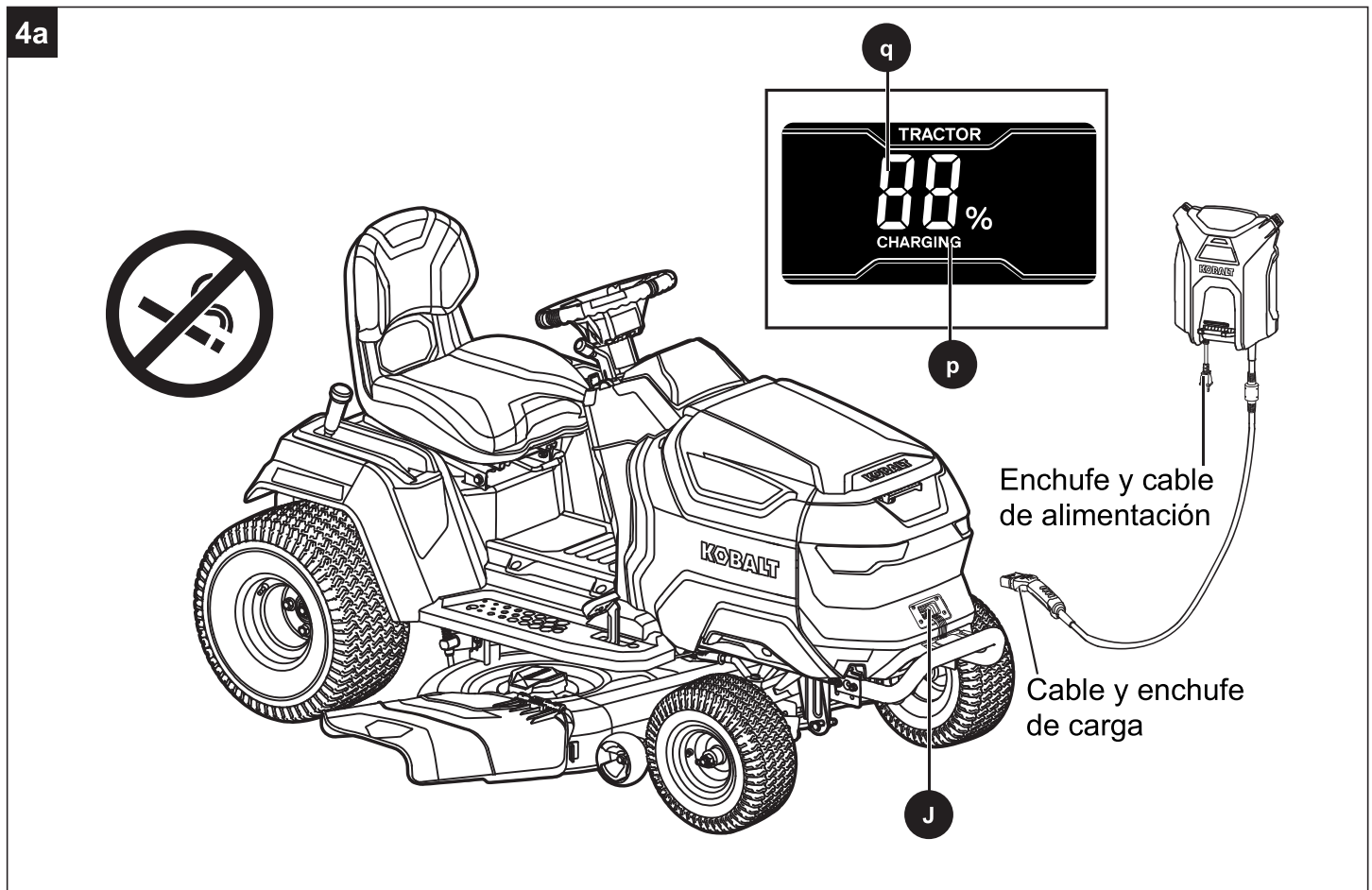
4. Cargar la podadora

Cargue la podadora antes de usarla por primera vez.

AVISO: El paquete de baterías está integrado con el producto y no se debe retirar.

⚠ PRECAUCIÓN: NO intente cargar el cortacésped con un cargador que no esté diseñado para usarse con este producto.

Utilice únicamente el cargador de baterías KOBALT KRC 752-03 para cargar la podadora.



a. Asegúrese de que la podadora se detenga por completo, apáguela, ponga el freno de mano y retire la llave de seguridad (EE).

b. Levante la tapa antipolvo del puerto de carga de la batería (J) de la podadora, retire la tapa de goma y conecte el enchufe al puerto de carga.

NOTA: El enchufe solo encajará de una manera en el puerto. Asegúrese de que esté correctamente alineado antes de insertarlo.

c. Enchufe el cable de alimentación del cargador a una toma doméstica estándar de 120 V.

d. El cargador comenzará a cargar la batería. El indicador de audio emitirá un pitido, el ícono “CARGANDO” (p) se iluminará en la pantalla LCD (A1) y el indicador de combustible (q) mostrará el nivel de carga.

e. Tan pronto como la batería esté completamente cargada, el indicador de combustible (q) mostrará “100 %” y el ícono “CARGANDO” (p) desaparecerá de la pantalla LCD (A1). Desconecte el enchufe del cable de alimentación del tomacorriente de pared y retire el enchufe de carga del puerto de carga (J).

INSTRUCCIONES DE ENSAMBLAJE

f. Coloque la cubierta de goma y asegúrese de que el puerto de carga (J) esté cubierto adecuadamente por la tapa antipolvo para proteger el puerto de carga del agua, la humedad o el polvo.

⚠ ADVERTENCIA:

• **Consulte el manual incluido con el cargador para obtener instrucciones detalladas. Lea y comprenda todas las advertencias de seguridad y las instrucciones.** No seguirlas podría provocar descargas eléctricas, incendio o lesiones personales graves.

⚠ ADVERTENCIA:

• No fume mientras carga la podadora.

⚠ ADVERTENCIA:

• La podadora de césped debe cargarse en un área cubierta, protegida de la lluvia o en el interior.

NOTA:

- La batería no desarrolla memoria y no es necesario descargarla completamente antes de recargarla.
- Cada seis meses de almacenamiento a largo plazo, cargue completamente la batería para obtener la mayor duración posible.
- Al cargar, asegúrese de que la entrada y salida del ventilador de refrigeración del cargador no estén bloqueadas.

Modo de bajo consumo

Cuando la carga de la batería llega a un nivel muy bajo, la podadora entrará en modo de bajo consumo para conservar suficiente energía para regresar al área de carga:

- Las cuchillas cambiarán a una velocidad de rotación baja, lo que solo podrá cortar una cantidad muy pequeña de césped. Al encontrar césped alto y denso, las cuchillas dejarán de girar. El indicador de audio sonará (bip) de forma intermitente. La luz del botón de encendido/apagado de la cuchilla (G1) parpadeará. El ícono de “cuchilla encendida” (f) parpadeará en la pantalla LCD (A1).
- El indicador de combustible (q) será reemplazado por un mensaje de batería baja parpadeante en la pantalla LCD.

El operador debe hacer lo siguiente:

- Presione el botón de encendido/apagado de las cuchillas (G1) para apagar los motores de las cuchillas. El indicador de audio dejará de sonar, la luz del botón de encendido/apagado de la cuchilla se apagará y el ícono de “hoja encendida” (f) desaparecerá de la pantalla LCD cuando los motores de las cuchillas se detengan.



INSTRUCCIONES DE ENSAMBLAJE

- Deje de trabajar y diríjase a la zona de carga lo antes posible. La distancia máxima que puede recorrer la podadora es de aprox. 0.96 kilómetros (0.6 millas).

Cuando la batería esté casi agotada, la podadora dejará de funcionar inmediatamente. El operador deberá transportar la podadora a la zona de carga para cargarla.

AVISO: Si es necesario empujar de forma manual, asegúrese de que la podadora esté completamente apagada, que se haya quitado la llave de seguridad (EE) y que el pedal del freno de mano (K) esté liberado de la posición del freno de mano.

⚠ ADVERTENCIA:

- No intente cruzar carreteras o vías de ferrocarril cuando el nivel de carga de la batería sea bajo.

5. Prueba del sistema de bloqueo de seguridad

Inspeccione el producto para verificar que no haya piezas dañadas, faltantes o flojas, como tornillos, tuercas, pernos, tapas, etc. Apriete bien todos los sujetadores y las tapas, y no use el producto hasta que se hayan reemplazado las piezas faltantes o dañadas.

La podadora incorpora un sistema de bloqueo de seguridad que detendrá el motor de accionamiento y los motores de las cuchillas cuando el operador se levanta del asiento por cualquier motivo mientras la podadora está en funcionamiento. Esta es una característica de seguridad diseñada para evitar que se salga de control o se enrede accidentalmente. Pruebe el sistema para asegurarse de que esté funcionando de forma correcta.

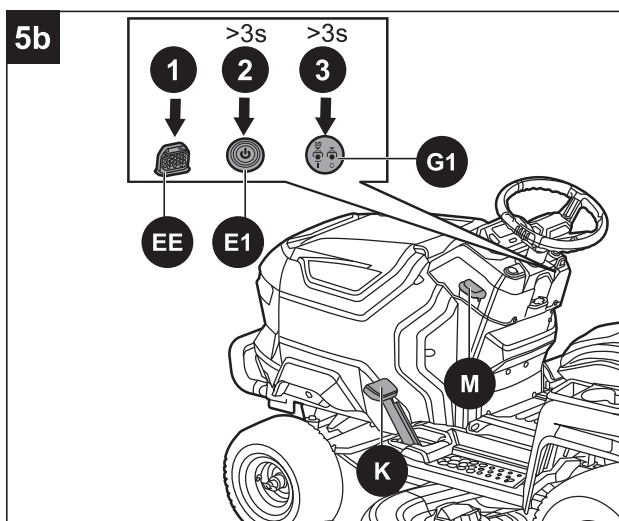
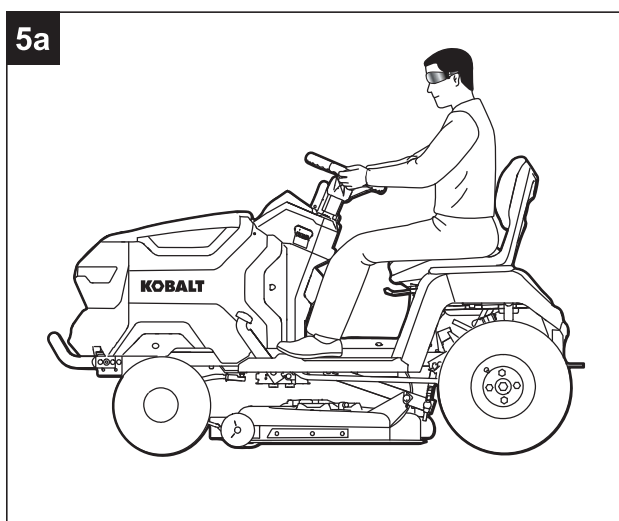
Para probar el funcionamiento de las cuchillas

- a. Estacione la podadora en una superficie nivelada.
- b. Siéntese en el asiento de la podadora (Fig. 5a).
- c. Introduzca la llave de seguridad (EE) en la podadora. Presione el botón de arranque/apagado (E1) durante más de 3 segundos para iluminar la pantalla LCD. La pantalla LCD se iluminará indicando que la podadora está lista para funcionar.

NOTA: Si el pedal del freno de mano (K) está desacoplado de la posición de freno de mano, debe presionar completamente el pedal del freno de mano (K) con el pie y presionar el botón de arranque/apagado (E1) durante más de 3 segundos de forma simultánea.

- d. Presione el botón de encendido/apagado de la cuchilla (G1) durante más de 3 segundos para encender los motores de las cuchillas (Fig. 5b) y, luego, suelte el botón de encendido/apagado de la cuchilla.

- e. Levántese lentamente del asiento, pero no se baje de la podadora. Los motores de las cuchillas deberían detenerse.



INSTRUCCIONES DE ENSAMBLAJE

AVISO: Si el sistema de cuchillas de la plataforma no se detiene cuando el operador está fuera del asiento:

- Presione el botón de encendido/apagado de las cuchillas (G1) de nuevo para apagar los motores de las cuchillas.
- Con la palanca de bloqueo del freno de mano (M) abierta, presione completamente el pedal del freno de mano (K) para activarlo.
- Retire la llave de seguridad (EE).
- Levante el respaldo del asiento y verifique que la toma y el enchufe estén conectados correctamente. Consulte el paso “d” en el capítulo “**Instalación del asiento**”.

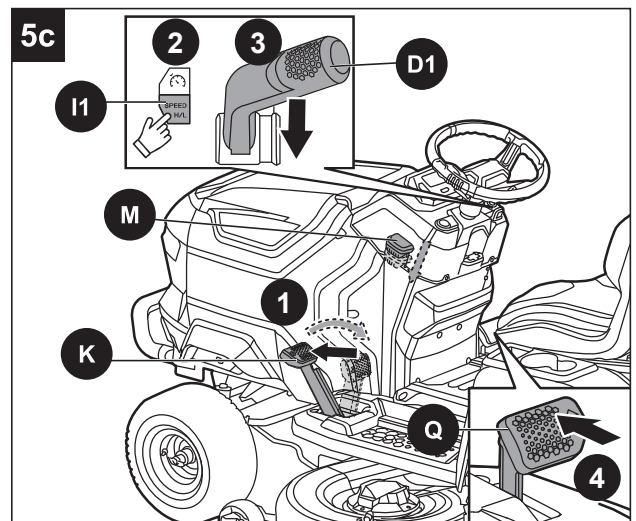
Si no se puede determinar la causa después de confirmar que el enchufe y la toma están conectados de forma correcta, comuníquese con el Servicio al Cliente de Kobalt de inmediato.

⚠ ADVERTENCIA:

- NO use la podadora hasta que un técnico de servicio calificado haya reparado el sistema de bloqueo de seguridad.

Para probar la podadora

- Mientras todavía está sentado en la podadora, asegúrese de que esté encendida (la pantalla LCD está iluminada) y (si está activado) desactive el freno de mano presionando completamente el pedal del freno de mano (K) hasta que baje la palanca de bloqueo del freno (M).
- Presione el botón de ajuste de la velocidad de conducción (I1) para ajustar la velocidad de conducción al nivel bajo.
- Tire de la palanca de control de dirección (D1) hacia atrás en la dirección “D” para avanzar.
- Presione el pedal del acelerador (Q) para conducir la podadora (Fig. 5c).



NOTA: Si la podadora no se mueve, el ícono del freno de mano (d) parpadeará en la pantalla LCD, lo que indica que debe presionar completamente el pedal del freno (K), soltarlo y, luego, presionar el pedal del acelerador (Q) para conducir la podadora.

- Mientras la podadora está en movimiento, levántese lentamente del asiento. El sistema de conducción debería detener la podadora.

AVISO: Si el sistema de conducción no se detiene cuando el operador está fuera del asiento:

- Suelte el pedal del acelerador (Q) para detener la podadora.
- Con la palanca de bloqueo del freno de mano (M) abierta, presione completamente el pedal del freno de mano (K) para activarlo.
- Retire la llave de seguridad (EE).
- Levante el respaldo del asiento y verifique que la toma y el enchufe estén conectados correctamente. Consulte el paso “d” en el capítulo “**Instalación del asiento**”.

INSTRUCCIONES DE ENSAMBLAJE

Si no se puede determinar la causa después de confirmar que el enchufe y la toma están conectados de forma correcta, comuníquese con el Servicio al Cliente de Kobalt de inmediato.

 **ADVERTENCIA:**

- NO use la podadora hasta que un técnico de servicio calificado haya reparado el sistema de bloqueo de seguridad.

INSTRUCCIONES DE FUNCIONAMIENTO

⚠ ADVERTENCIA:

- **No se descuide por el hecho de conocer el producto.** Recuerde que un descuido de una fracción de segundo es suficiente para provocar lesiones graves.
- **No utilice ningún acoplamiento o accesorio que el fabricante de este producto no recomiende.** El uso de acoplamientos o accesorios no recomendados puede producir lesiones personales graves.
- **Antes de realizar cualquier ajuste, detenga la podadora en una superficie nivelada y espere a que las cuchillas se detengan por completo. Con la palanca de bloqueo del freno de mano (M) abierta, presione completamente el pedal del freno de mano (K) para activarlo y, luego, retire la llave de seguridad (EE) para evitar un arranque accidental y posibles lesiones personales graves.**

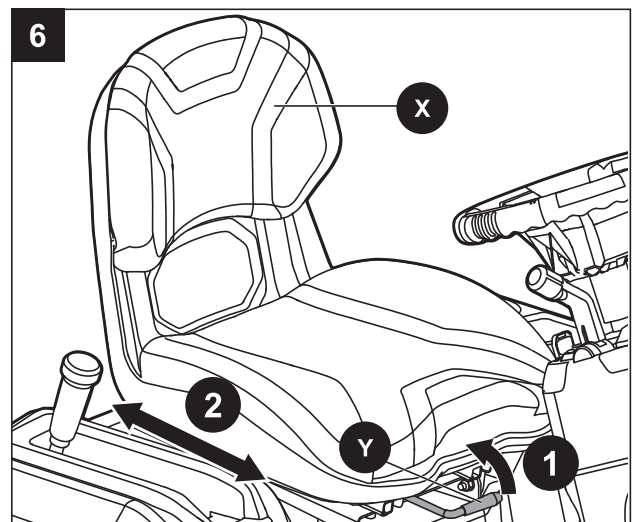
6. Ajuste del asiento

⚠ PELIGRO: Asegúrese de que el asiento esté asegurado a la podadora con los pernos escalonados antes de operar la podadora. Un asiento que no esté seguro puede hacer que el operador pierda el control de la podadora, lo que podría provocar la muerte o lesiones personales graves.

Ajuste la posición del asiento para asegurarse de que pueda hacer un contacto firme con el pedal del freno y del acelerador antes de operar la podadora.

El asiento se puede ajustar hacia adelante y hacia atrás al girar hacia arriba la palanca de ajuste de la posición del asiento (Y) debajo del asiento.

- a. Gire la palanca de ajuste de la posición del asiento (Y) hacia arriba y manténgala, y, luego, mueva el asiento (X) hacia adelante o hacia atrás hasta la posición deseada.
- b. Suelte la palanca de ajuste de la posición del asiento (Y) y asegúrese de que el asiento (X) esté bloqueado en su posición.



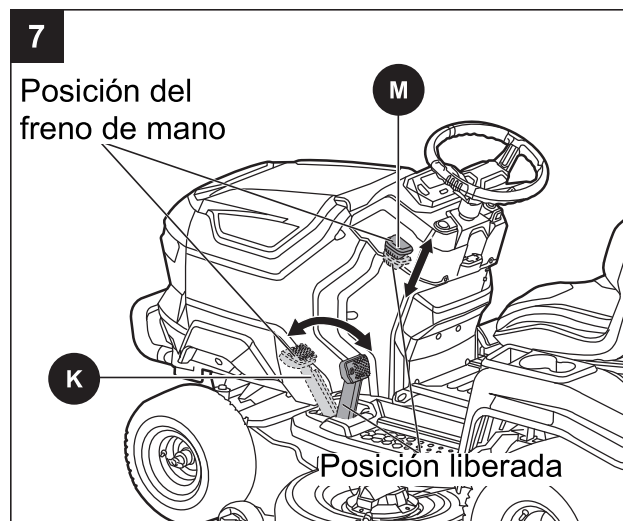
INSTRUCCIONES DE FUNCIONAMIENTO

7. Ajuste del freno de mano

El pedal del freno de mano (K) se puede utilizar para colocar la podadora en la posición de freno de mano. Para poner en marcha la podadora, debe soltarlo de la posición del freno de mano.

Para poner el freno de mano:

- Detenga la podadora en una superficie nivelada.
- Con la palanca de bloqueo del freno de mano (M) abierta, presione completamente el pedal del freno de mano (K) hasta que el pedal deje de rebotar.
- Suelte la palanca de bloqueo del freno de mano (M). Retire el pie del pedal del freno de mano (K).
- Para soltar el freno de mano**, pise el pedal del freno (K) una vez más; el pedal rebotará hasta la posición soltada y la palanca de bloqueo del freno de mano (M) bajará a la posición soltada.



⚠ ADVERTENCIA:

- **El pedal del freno de mano no puede reducir la velocidad de conducción. Nunca intente pisar el pedal del freno para reducir la velocidad durante la conducción. Cuando se pisa el pedal del freno de mano pero no se pone en la posición de freno de mano, el freno eléctrico ya no es efectivo y la podadora dejará de moverse en una superficie plana. Pero si esto sucede en una pendiente, la podadora puede deslizarse cuesta abajo una vez que se suelta el pedal del freno de mano.**

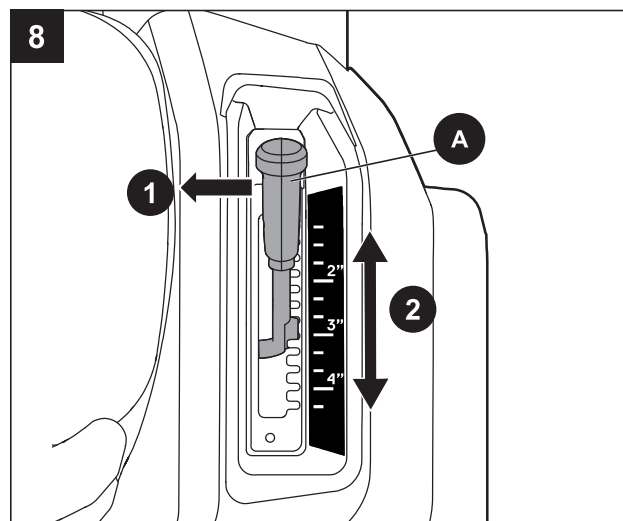
⚠ ADVERTENCIA:

- **Nunca deje la podadora de césped desatendida durante las pausas de trabajo sin verificar que el freno de mano esté puesto y que la llave de seguridad (EE) esté retirada.** Si no se aplica el freno de mano, la podadora podría moverse. Dejar la llave de seguridad en su lugar puede permitir un uso no autorizado que podría provocar lesiones personales graves.

8. Ajuste de la altura de corte

Antes de cortar el césped, la plataforma (E) debe ajustarse a una altura suficiente para evitar tocones, rocas u otros obstáculos que puedan dañar la plataforma de la podadora.

- Sujete la palanca de ajuste de altura de la plataforma (A) y muévala hacia adentro para desengancharla del retén.
- Mueva la palanca (A) hacia adelante para disminuir la altura de corte o hacia atrás para aumentarla. Enganche la palanca (A) en el retén cuando llegue a la altura de corte deseada.



INSTRUCCIONES DE FUNCIONAMIENTO

⚠ PELIGRO:

- **Nunca intente realizar ningún ajuste en la plataforma de corte mientras la podadora está en marcha o los motores de las cuchillas están encendidos.** Las cuchillas de la podadora no se pueden ver y están ubicadas muy cerca de la carcasa de la plataforma. Los dedos de manos y pies se pueden cortar instantáneamente.

⚠ ADVERTENCIA:

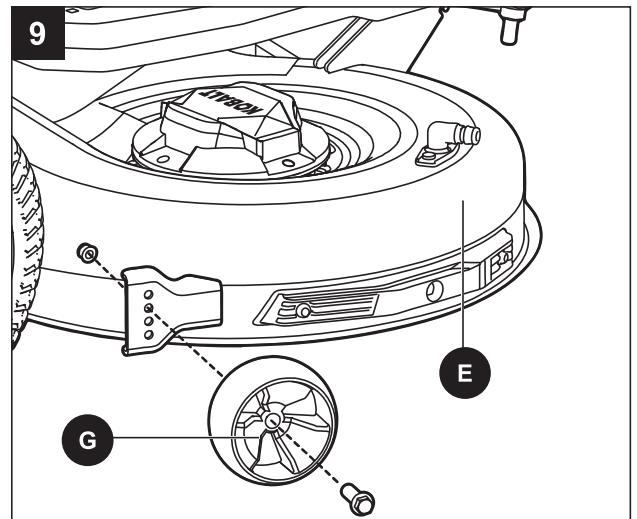
- **Sujete con firmeza la palanca de ajuste de altura de la plataforma (A) al ajustar la altura y suéltela solo cuando esté firmemente enganchada en el retén deseado.** Soltar muy rápido la palanca puede crear un peligro de pellizco o tirón en la mano del operador.

9. Ajuste de las ruedas protectoras

Las ruedas protectoras (G) están diseñadas para minimizar la posibilidad de desbroce al cortar en terrenos irregulares y disparejos. Después de configurar la altura de corte, ajuste las ruedas protectoras para que se extiendan por debajo de la plataforma pero de modo que no entren en contacto con el suelo.

Las ruedas antideslizantes se mantienen en su lugar mediante una tuerca y un perno cada una. Se pueden colocar en una de cuatro posiciones:

- Levante la plataforma (E) a la altura de corte deseada.
- Utilice el extremo de 13 mm de la llave inglesa combinada (HH) para estabilizar la tuerca primero y, luego, afloje y retire el perno del otro lado con el extremo de 15 mm de la otra llave inglesa combinada (HH).
- Mueva la rueda antideslizante (G) a la posición deseada. Luego, apriete bien el perno y la tuerca. El par recomendado para los pernos es de 22 a 26 pies-libras. (30-35 Nm).
- Repita los pasos con la otra rueda antideslizante (G) y asegúrese de que ambas ruedas estén instaladas en la misma posición.



	Posición 1: altura de corte de césped inferior a 51 mm (2 pulg.)
	Posición 2: altura de corte de césped de 51 a 76 mm (2 a 3 pulg.)
	Posición 3: altura de corte de césped de 76 a 102 mm (3 a 4 pulg.)
	Posición 4: altura de corte de césped superior a 102 mm (4 pulg.)

Aditamentos utilizados



Llave de combinación



x 2

INSTRUCCIONES DE FUNCIONAMIENTO

10. Arranque de la podadora (Fig. 10a)

Lista de verificación antes de arrancar la podadora

- Asegúrese de que el área de trabajo esté libre de niños, transeúntes y mascotas.
- Despeje el área de trabajo de objetos que puedan ser lanzados por las cuchillas del cortacésped.
- Limpie los residuos de la podadora.
- Compruebe que no haya sujetadores sueltos.
- Asegúrese de que todos los protectores estén en su lugar y funcionando correctamente.
- Compruebe a simple vista si los neumáticos están inflados.
- Verifique el funcionamiento del freno.
- Ajuste la altura de la plataforma a la posición de corte deseada que mejor se adapte al césped y ajuste las ruedas protectoras en consecuencia.
- Ajuste la posición del asiento y asegúrese de que se puedan alcanzar ambos pedales.
- Verifique el nivel de carga de la batería.
- Pruebe el sistema de bloqueo de seguridad.

Antes de comenzar a cortar el césped, le recomendamos que busque un área grande, nivelada y abierta para practicar el funcionamiento de la podadora siguiendo las instrucciones que aparecen a continuación. Una vez que pueda realizar cada una de estas maniobras de manera cómoda y confiable, estará listo para comenzar a cortar el césped.

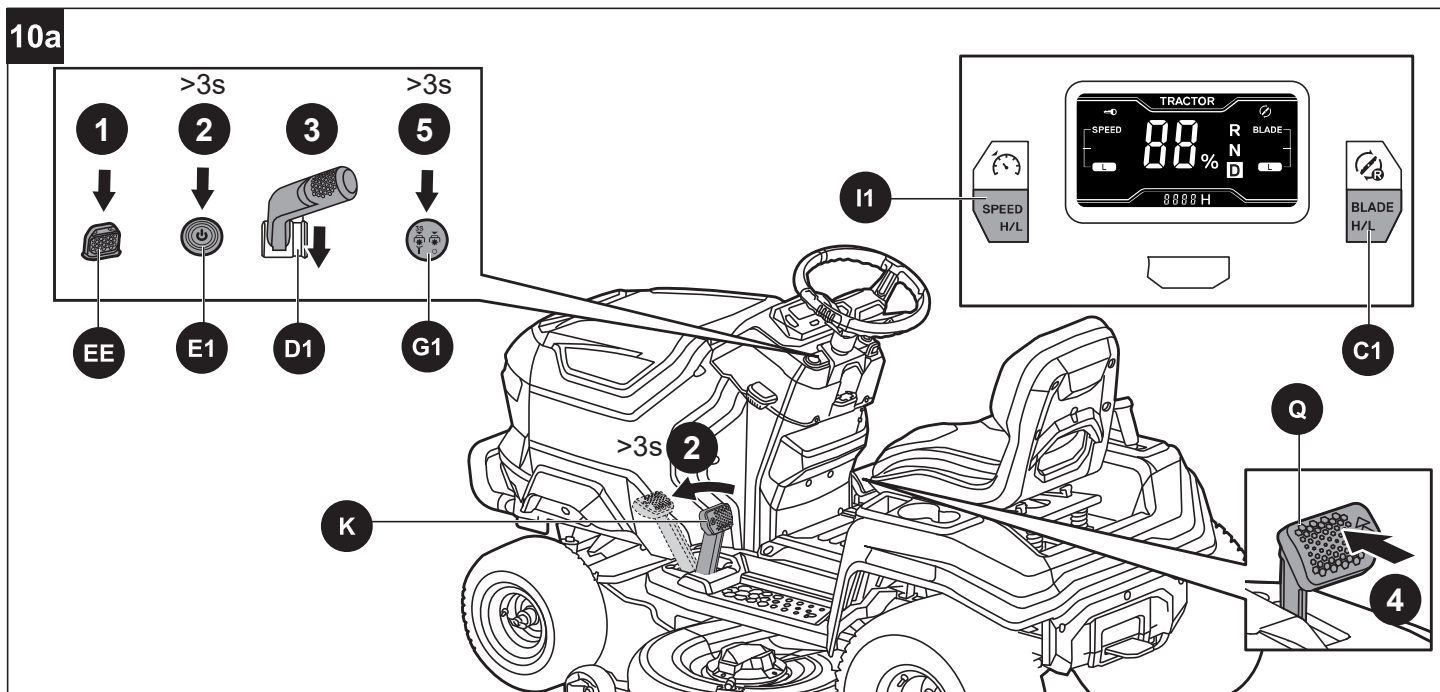
ADVERTENCIA:

- Despeje el área de transeúntes antes de operar la podadora. Si alguien ingresa al área de corte, deténgase inmediatamente y no vuelva a cortar hasta que los transeúntes abandonen el área.

PELIGRO:

- Evite arranques, paradas y giros repentinos, así como la velocidad excesiva, especialmente cuando está aprendiendo a operar la podadora de césped por primera vez. La podadora puede girar rápidamente, lo que puede causarle la pérdida de control y provocar la muerte, lesiones personales graves o daños a la podadora. Presione el botón de ajuste de velocidad de conducción (I1) para configurar el nivel de velocidad baja para limitar la cantidad de velocidad disponible hasta que sea completamente capaz de operar la podadora de césped en todas las situaciones.

INSTRUCCIONES DE FUNCIONAMIENTO



- Siéntese en el asiento de la podadora.
- Inserte la llave de seguridad (EE).
- Presione completamente el pedal del freno (K) con el pie y, al mismo tiempo, presione el botón de arranque/apagado (E1) durante más de 3 segundos para iluminar la pantalla LCD.

NOTA: Si el pedal del freno de mano (K) está en la posición de freno de mano, solo puede presionar el botón de arranque/apagado (E1) durante más de 3 segundos para iluminar la pantalla LCD y, luego, soltar el pedal del freno de mano (K) antes de conducir la podadora.

- Configure la velocidad de conducción y la velocidad de las cuchillas apropiadas al presionar el botón de ajuste de la velocidad de conducción (I1) y el botón de ajuste de la velocidad de las cuchillas (C1) respectivamente.

NOTA: Siempre se recomienda arrancar la podadora a baja velocidad.

- Presione el pedal del acelerador (Q) para conducir la podadora:

Para avanzar: tire de la palanca de control de dirección (D1) hacia atrás en la dirección "D".

Para retroceder: empuje la palanca de control de dirección (D1) hacia delante en la dirección "R".

NOTA: Cuando abandone el asiento y, luego, se vuelva a sentar, la podadora no se moverá después de presionar el pedal del acelerador (Q) y el ícono del freno de mano parpadeará en la pantalla LCD. En este caso, debe presionar a fondo el pedal del freno de mano (K), luego soltarlo y presionar el pedal del acelerador (Q) para conducir la podadora.

- Presione el botón de encendido/apagado de la cuchilla (G1) durante más de 3 segundos para poner en marcha las cuchillas de corte y, a continuación, suelte el botón de encendido/apagado de las cuchillas. El botón mismo se iluminará.

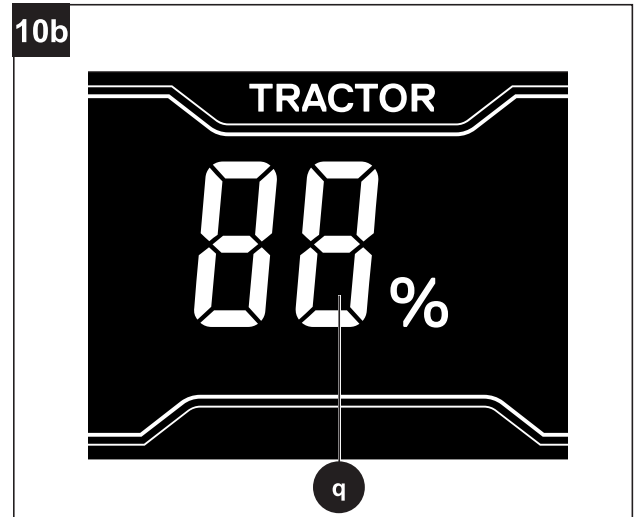
NOTA: Por razones de seguridad, las cuchillas se apagarán al presionar el botón de encendido/apagado de las cuchillas durante más de 8 segundos.

INSTRUCCIONES DE FUNCIONAMIENTO

NOTA: Las cuchillas de corte se pueden iniciar en cualquier momento una vez que la pantalla LCD esté completamente iluminada y la palanca de control de dirección (D1) no esté empujada hacia adelante en la dirección “R”. Para encender las cuchillas mientras conduce la podadora en reversa, consulte la sección “**Encendido de las cuchillas mientras conduce en reversa**” en este manual.

Botón de arranque/apagado

- Presione brevemente el botón de arranque/apagado (E1) y la pantalla LCD solo mostrará el “indicador de combustible” (q) como se muestra en la Fig. 10b. Presione brevemente el botón de arranque/apagado de nuevo; la pantalla LCD se apagará.
- Con la llave de seguridad (EE) insertada, presione por completo el pedal del freno de mano (K) y, al mismo tiempo, presione el botón de arranque/apagado (E1) durante más de 3 segundos; la pantalla LCD mostrará la interfaz del operador completa. Presione de nuevo el botón de arranque/apagado durante más de 3 segundos, y la pantalla LCD se apagará.

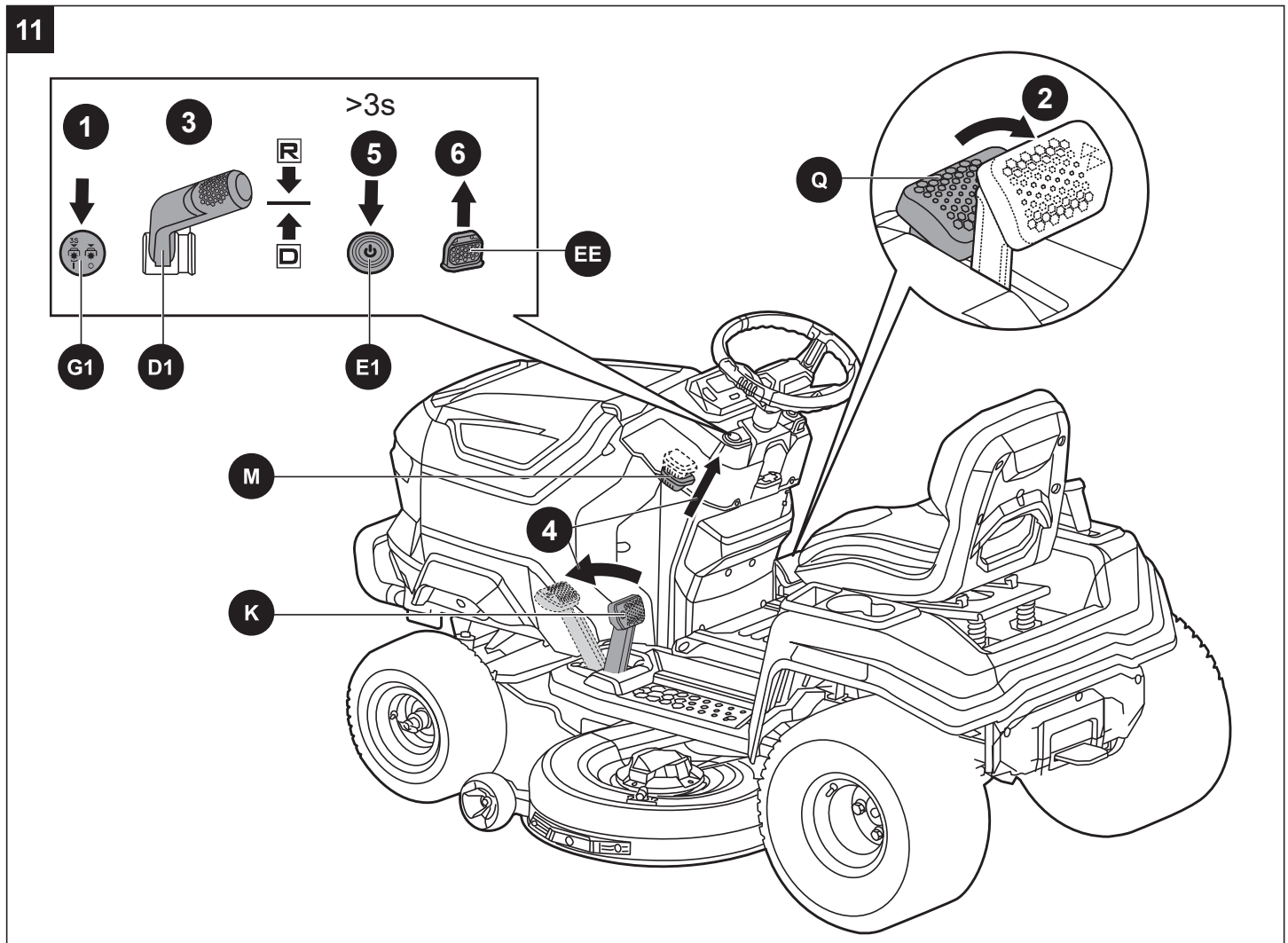


INSTRUCCIONES DE FUNCIONAMIENTO

11. Detener la podadora (Fig. 11)

⚠ PELIGRO:

- **Nunca frene ni haga cambios de dirección bruscamente, en especial al maniobrar en una pendiente. El volante y el pedal del acelerador están diseñados para una respuesta sensible. Pisar con rapidez el acelerador o girar el volante en cualquier dirección podría provocar una reacción de la podadora que puede causar lesiones graves.**



a. Presione el botón de encendido/apagado de las cuchillas (G1) para apagar los motores de las cuchillas, y la luz del botón se apagará.

NOTA: Las cuchillas de corte pueden detenerse en cualquier momento.

b. Suelte el pedal del acelerador (Q).

c. Coloque la palanca de control de dirección (D1) en la posición "N".

AVISO: Siempre coloque la palanca en la posición "N" cuando la podadora deje de funcionar, lo que podría evitar un arranque inesperado si se presiona accidentalmente el pedal del acelerador.

d. Tire hacia arriba de la palanca de bloqueo del freno de mano (M) y pise a fondo el pedal del freno de mano (K) para poner la podadora de césped en posición de freno de mano.

INSTRUCCIONES DE FUNCIONAMIENTO

- e. Presione el botón de arranque/apagado (E1) durante más de 3 segundos hasta que la pantalla LCD se apague. La luz del botón de arranque/apagado se apagará después de otros 3 segundos, lo que significa que la podadora está apagada.
- f. Retire la llave de seguridad (EE) de la podadora y guárdela en un lugar seguro.

ADVERTENCIA:

Se recomienda que el operador apague la podadora manualmente cuando no se utilice; de lo contrario, se apagará de forma automática como se describe a continuación:

- En una situación en la que la pantalla LCD muestre el “indicador de combustible”, la podadora se apagará de forma automática después de 5 minutos.
- En una situación en la que la pantalla LCD muestre la interfaz del operador, tanto los motores de accionamiento como los motores de las cuchillas no están encendidos, la podadora se apagará de forma automática después de 30 minutos.

ADVERTENCIA:

- No detenga la podadora en una pendiente. Detenga siempre la podadora en una superficie plana y nivelada, y nunca la deje desatendida con la llave de seguridad puesta, ni siquiera por un breve período. Dejar la llave de seguridad puesta puede permitir un uso no autorizado que podría provocar lesiones personales graves.

ADVERTENCIA:

- Cuando la podadora deja de avanzar en una pendiente y el pedal del freno de mano no está puesto en la posición de freno de mano, el indicador de audio seguirá emitiendo un pitido intermitente para recordarle al operador que debe poner el freno de mano para que la podadora se detenga de manera segura en la pendiente. Siempre ponga el freno de mano al levantarse del asiento. **De lo contrario, la podadora podría deslizarse cuesta abajo, lo que podría causar daños graves a la podadora o lesiones personales.**

INSTRUCCIONES DE FUNCIONAMIENTO

12. Conducir la podadora (Fig. 12)

Después de arrancar la podadora, siga estas instrucciones:

- **Para conducir hacia adelante**, tire la palanca de control de dirección (D1) hacia atrás en la dirección “D” y mantenga el volante (V) recto sin girar. Controle la velocidad de conducción con el pedal del acelerador (Q).
- **Para conducir en reversa**, empuje la palanca de control de dirección (D1) hacia adelante en la dirección “R” y mantenga el volante (V) recto sin girar. Controle la velocidad de conducción con el pedal del acelerador (Q).

NOTA: Al tirar de la palanca de control de dirección de la posición “D” a la posición “R” MIENTRAS conduce hacia adelante, la podadora reducirá su velocidad a cero y, luego, cambiará en reversa.

NOTA: Al cambiar entre avance y reversa durante la conducción, mueva la palanca de control de dirección directamente de un extremo al otro sin detenerse en la posición “N”; de lo contrario, la podadora podría dejar de moverse.

- **Para girar a la izquierda**, gire el volante (V) hacia la izquierda.
- **Para girar a la derecha**, gire el volante (V) hacia la derecha.

AVISO: No se recomienda el movimiento rápido del volante ya que pueden producirse daños a los componentes eléctricos de la podadora.

AVISO: Los giros agresivos pueden rayar o dañar el césped. Realice giros a baja velocidad de conducción.

- **Para detener o disminuir la velocidad**, suelte el pedal del acelerador (Q) despacio.
- **Para aumentar la velocidad**, pise el pedal del acelerador (Q) hasta el fondo. Cuanto más fuerte se pise el pedal del acelerador (Q), más rápido se desplazará la podadora.

⚠ PELIGRO: Manténgase al menos a dos anchos de corte (7 pies/2.13 metros) de distancia de zanjas, desniveles o agua. Las ruedas delanteras pueden girar cuando la podadora está parada, incluso con el freno aplicado, y hacer que la podadora se salga del borde o caiga al agua y provoque la muerte o lesiones personales graves.

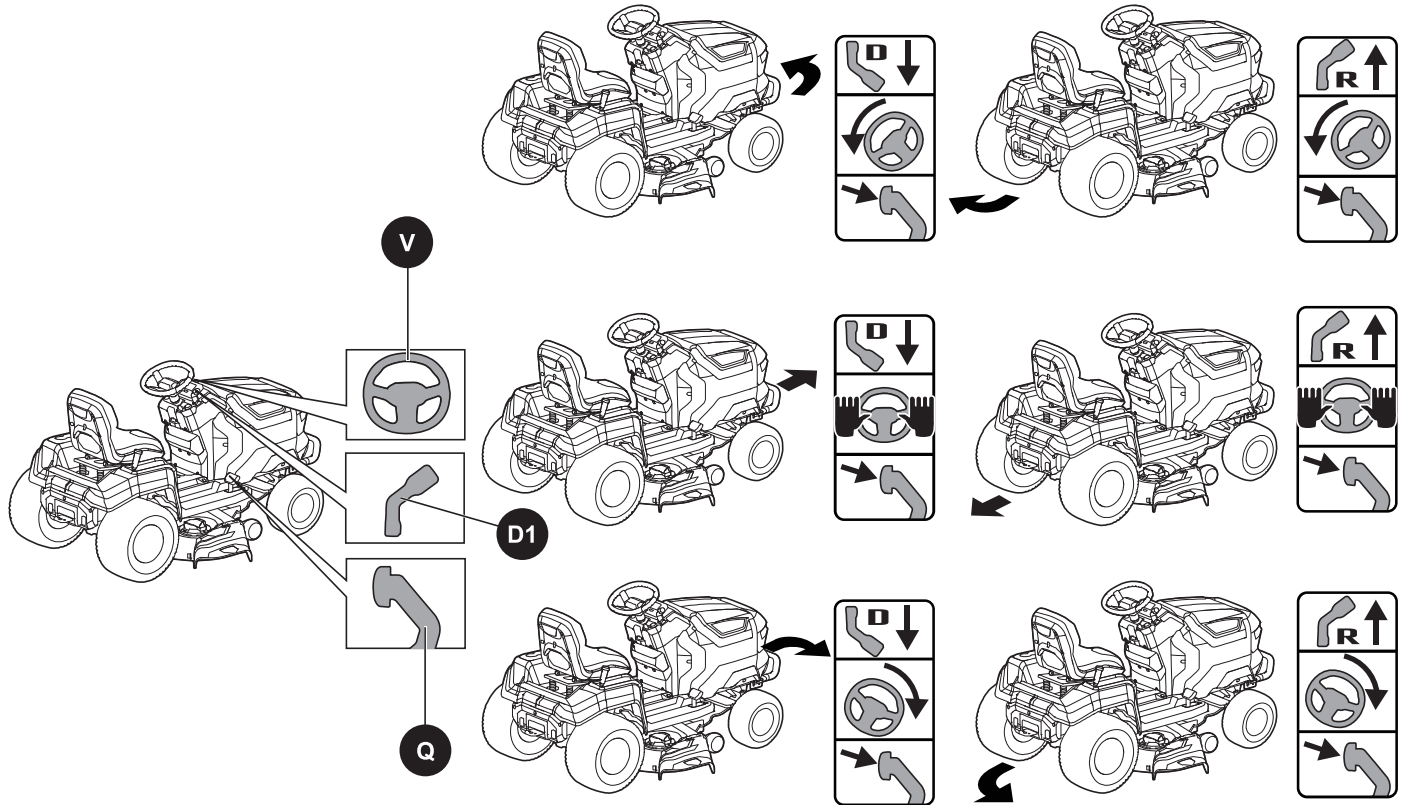
⚠ ADVERTENCIA: Esté atento a lo que hay detrás de la podadora antes de dar marcha atrás. NO realice movimientos hacia atrás a menos que sea absolutamente necesario. Mire siempre hacia abajo y hacia atrás antes y mientras retrocede para asegurarse de que no ingrese ningún niño, transeúnte o mascota al área de corte. Recuerde que un descuido de una fracción de segundo es suficiente para provocar la muerte o lesiones graves.

⚠ ADVERTENCIA: Asegúrese de haber configurado correctamente la dirección de conducción prevista con el volante antes de pisar el pedal del acelerador. De lo contrario, podría conducir la podadora en una dirección no deseada, lo que podría provocar la pérdida de control o un accidente.

⚠ ADVERTENCIA: Tenga cuidado al cruzar caminos de gravilla o entradas de garaje. Antes de cruzar, apague los motores de las cuchillas y levante la plataforma de corte a la posición más alta para minimizar la posibilidad de rebotes. Conduzca lentamente para evitar la pérdida de tracción y de control.

INSTRUCCIONES DE FUNCIONAMIENTO

12



INSTRUCCIONES DE FUNCIONAMIENTO

13. Personalización de las configuraciones de corte y conducción

Para obtener la mejor experiencia de corte, recomendamos personalizar las siguientes configuraciones según su situación.

Para seleccionar su nivel de velocidad de conducción (Fig. 13a):

El nivel de velocidad de conducción establece la velocidad máxima de conducción de la podadora.

Presione el botón de ajuste de velocidad de conducción (I1) para alternar entre nivel bajo ("L") y nivel alto ("H").

Velocidad de conducción baja: para bordes y recortes a baja velocidad, o al cortar el césped o conducir en áreas estrechas.

Velocidad de conducción alta: maximice el área de cobertura al cortar céspedes grandes y planos.

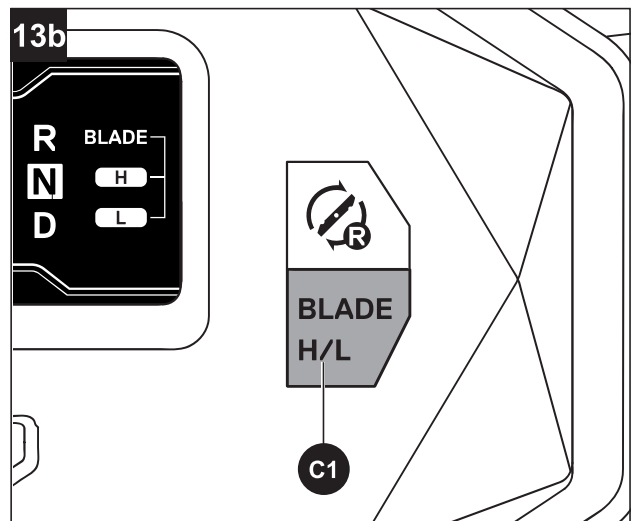
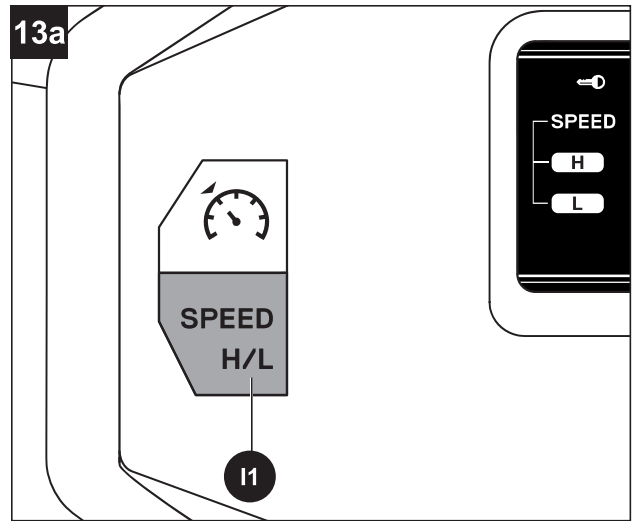
Para seleccionar su nivel de velocidad de cuchillas (Fig. 13b):

El usuario puede personalizar la velocidad de las cuchillas según las condiciones del césped. El tiempo de funcionamiento aumentará cuando se corte a baja velocidad de cuchillas.

Presione el botón de ajuste de velocidad de cuchillas (C1) para alternar entre nivel bajo y nivel alto.

Velocidad de las cuchillas baja ("L"): proporciona el nivel de ruido más bajo y el tiempo de funcionamiento más prolongado.

Velocidad de las cuchillas alta ("H"): para césped alto o en condiciones de césped extremadamente húmedo.



INSTRUCCIONES DE FUNCIONAMIENTO

14. Uso del control de crucero (CCS)

Durante la conducción hacia adelante, se puede configurar la podadora para que continúe a la velocidad deseada sin tener que pisar el pedal del acelerador.

Para activar (ingresar) el control de crucero (CCS) (Fig. 14)

- a. Mientras conduce hacia adelante a una velocidad cómoda, presione el botón CCS (J1); el ícono CCS (a) se iluminará en la pantalla LCD.
- b. Luego, suelte el pedal del acelerador (Q), y la podadora continuará avanzando a la velocidad actual.

NOTA: Es posible que el nivel de velocidad de conducción que se muestra en la pantalla LCD no represente con precisión la velocidad de conducción real de la podadora en el control de crucero. Presione el botón de ajuste de la velocidad de conducción (I1) para “refrescar” el nivel de velocidad de conducción en la pantalla LCD.

- c. Presione el botón de ajuste de velocidad de conducción (I1) para aumentar o disminuir la velocidad del control de crucero hasta alcanzar la velocidad deseada.

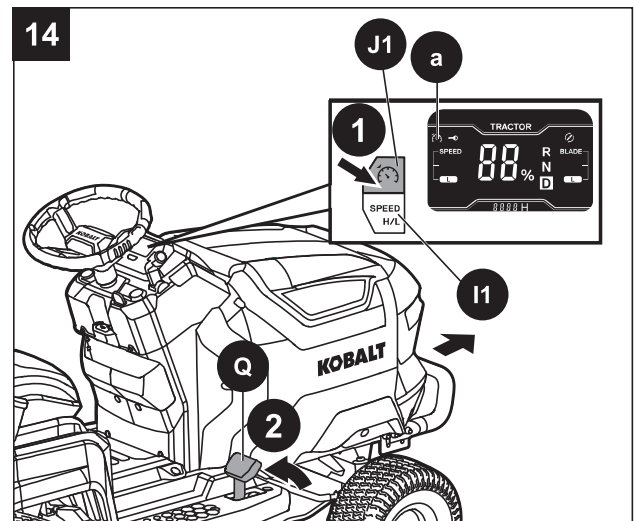
Para detener (salir) del control de crucero (CCS), puede elegir una de las tres formas:

- Pise el pedal del acelerador (Q) hasta el fondo y siga haciéndolo. La función CCS se detendrá, y la podadora seguirá funcionando.
- Pise ligeramente el pedal del acelerador (Q) y, luego, suéltelo. La podadora y la función CCS se detendrán.
- Presione el botón CCS (J1). La podadora y la función CCS se detendrán.

NOTA: Cuando empuje la palanca de control de dirección (D1) hacia adelante en la posición “N” o “R”, la función CCS también se detendrá.

NOTA: Cuando se detiene el CCS, el ícono CCS (a) desaparecerá de la pantalla LCD.

NOTA: Si se presiona el pedal del freno de mano, la podadora se detendrá, pero el ícono CCS (a) parpadeará en la pantalla LCD para indicar que el CCS está en espera. En este caso, suelte el pedal del freno de mano, presione el botón CCS (J1), y la podadora reanudará la marcha automáticamente y el ícono CCS (a) dejará de parpadear.



INSTRUCCIONES DE FUNCIONAMIENTO

15. Encender las cuchillas al conducir en reversa

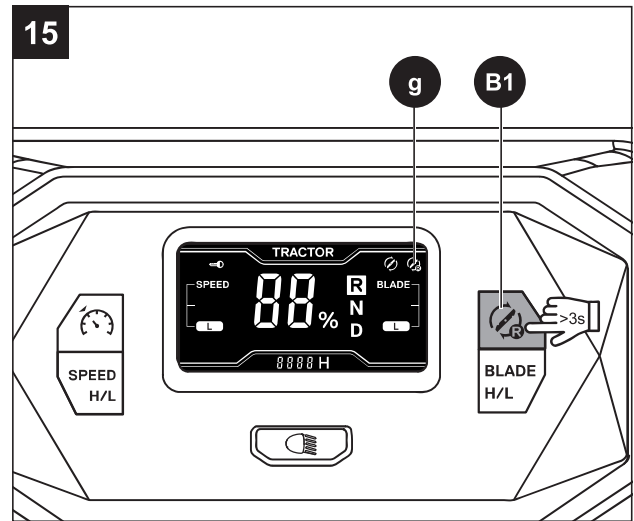
AVISO: No se recomienda cortar en reversa.

⚠ ADVERTENCIA:

- Tenga extrema precaución al cortar el césped en reversa. Asegúrese siempre de que ninguna persona entre en el área de trabajo, especialmente niños pequeños, antes y mientras corta el césped en reversa.

⚠ ADVERTENCIA:

- El campo de visión del operador podría verse limitado al operar la podadora de césped con el kit de ensacadora opcional adjunto. Siempre se debe tener extrema precaución y familiaridad con el entorno antes y mientras se corta en reversa.



Para activar (ingresar) el corte en reversa (Fig. 15)

Los motores de las cuchillas se pueden encender al conducir en reversa, si se desea.

Después de cada arranque, el ícono de cortar el césped en reversa (g) desaparecerá de la pantalla LCD, lo que significa que los motores de las cuchillas no se podrán encender al conducir en reversa.

- a. Siéntese en el asiento de la podadora.
- b. Presione el botón de arranque/apagado (E1) durante más de 3 segundos, y la pantalla LCD mostrará la interfaz del operador.
- c. Presione el botón de corte en reversa (B1) durante más de 3 segundos, y el ícono de cortar en reversa (g) se iluminará en la pantalla LCD, lo que significa que los motores de las cuchillas se pueden encender al conducir en reversa.

Para detener (salir) del corte en reversa, puede elegir una de las cuatro formas:

- Presione el botón de corte en reversa (B1) una vez.
- Levántese del asiento de la podadora.
- Presione el botón de arranque/apagado (E1) durante más de 3 segundos para apagar la pantalla LCD.
- Retire la llave de seguridad (EE) para apagar la podadora.

NOTA: Cuando se detiene el corte en reversa, el ícono de corte en reversa (g) desaparecerá de la pantalla LCD.

INSTRUCCIONES DE FUNCIONAMIENTO

16. Faros LED

Los faros LED (L) se pueden encender y apagar mediante el botón de luz LED (H1). El ícono de los faros LED (e) se iluminará en la pantalla LCD.

17. Puerto USB tipo A

El puerto USB-A (U) proporciona energía de carga de 5 voltios CC con un consumo combinado de 1.5 amperios para su teléfono celular, reproductor MP3 u otros dispositivos USB. Consulte el manual del propietario de su dispositivo para conocer sus requisitos de carga específicos.

AVISO:

- Intentar cargar dispositivos cuyo consumo combinado exceda los 1.5 amperios podría dañar el puerto USB o la podadora.
- No se puede alimentar el puerto USB cuando la podadora está en modo de carga.
- Cuando no se utilice, asegúrese de que la cubierta del puerto USB esté cerrada para proteger el puerto USB del agua, la humedad o el polvo.

18. Funcionamiento en pendientes

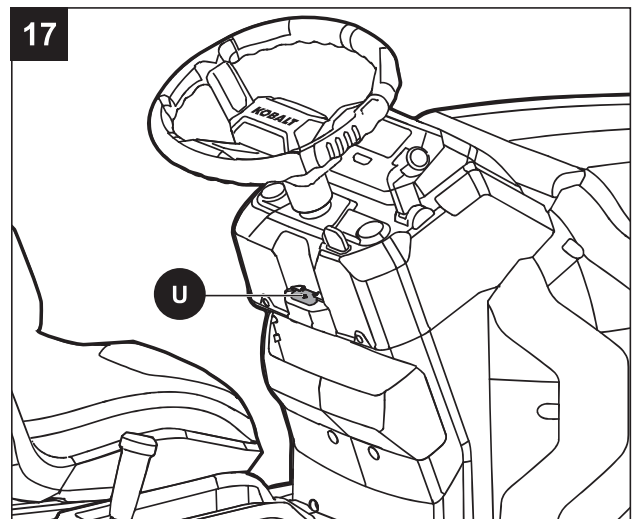
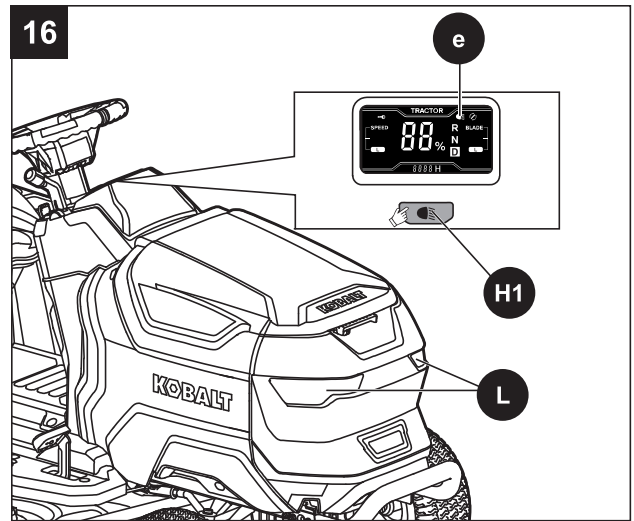
Mira la sección “Especificaciones sobre la pendiente” en este manual para obtener instrucciones de seguridad antes de operar en pendientes.

⚠ PELIGRO:

- Las pendientes son un factor importante relacionado con los accidentes por vuelcos que pueden provocar lesiones graves o la muerte. El funcionamiento en pendientes requiere precauciones adicionales. Si se siente incómodo en una pendiente, no corte el césped en ese lugar. Por su seguridad, no intente cortar en pendientes pronunciadas de más de 15 grados. Haga una copia o recorte la imagen de la guía de pendientes (Fig. 18) y úsela para determinar si su pendiente es demasiado pronunciada para una operación segura.

⚠ ADVERTENCIA: Abra la palanca de bloqueo del freno de mano (M) y presione el pedal del freno de mano (K) inmediatamente para ponerlo en la posición de freno en caso de que ocurra alguna emergencia. La podadora se detendrá inmediatamente y no se deslizará cuesta abajo.

- Corte hacia arriba y hacia abajo, no a lo largo de las pendientes.
- No pade sobre el césped húmedo. El césped mojado puede hacer que los neumáticos pierdan tracción o patinen en las pendientes, aunque los frenos funcionen correctamente.



INSTRUCCIONES DE FUNCIONAMIENTO

- Esté atento a los agujeros, surcos, rocas, objetos ocultos o bultos que puedan afectar su funcionamiento. El césped alto puede ocultar los obstáculos. Retire todos los objetos como rocas, ramas de árboles, etc., que puedan ser lanzados por las cuchillas.
- No corte cerca de desniveles, zanjas o terraplenes.
- Conduzca despacio y no haga cambios bruscos de velocidad o dirección.
- Evite detenerse en una pendiente si es posible. Si es inevitable detenerse en una pendiente, asegúrese de poner el freno de mano. Al reiniciar, utilice la velocidad más baja posible. Si es necesario girar, tenga extrema precaución al cambiar de dirección y gire siempre cuesta abajo.
- Si en algún momento los neumáticos pierden tracción mientras conduce en una pendiente, apague las cuchillas y avance lenta y cuidadosamente cuesta abajo.
- Si utiliza la ensacadora opcional u otros accesorios, nunca opere la podadora en ángulos de pendiente superiores a 10 grados. Tenga mucho cuidado y opere la podadora lentamente cuando opere en pendientes, ya que estos accesorios pueden cambiar la estabilidad de la podadora.

Asistencia en pendiente

Cuando se reinicia la podadora en una pendiente, en el momento en que se presiona el pedal del acelerador, la podadora se mantendrá quieta en la pendiente sin deslizarse a lo largo de la pendiente. Una vez que se presiona con más fuerza el pedal del acelerador, la podadora comenzará a avanzar normalmente. Esta es una función de asistencia en pendiente para un arranque seguro de la podadora.

- Cuando la podadora deja de funcionar, se suelta el pedal del acelerador, pero el pedal del freno de mano no está en la posición de freno de mano, el indicador de audio emitirá pitidos intermitentes. El indicador de audio ya no sonará cuando el pedal del freno de mano se coloque en la posición de freno de mano.

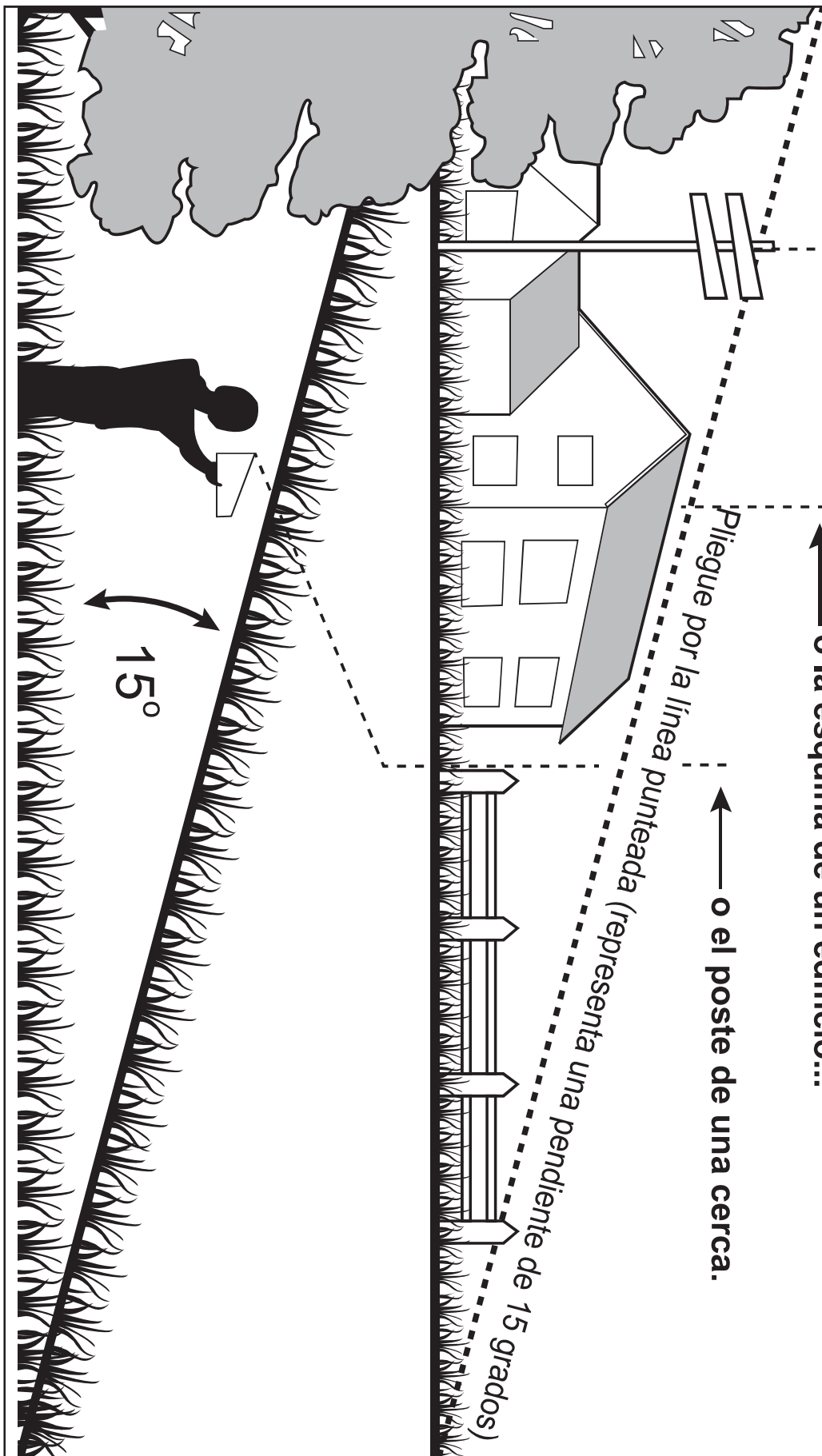
⚠ ADVERTENCIA: Coloque siempre el pedal del freno de mano en la posición de freno de mano cuando la podadora deje de circular en una pendiente. **De lo contrario, la podadora podría deslizarse cuesta abajo, lo que podría causar daños graves a la podadora o lesiones personales.**

- **Al volver a conducir en una pendiente, quite el pedal del freno de mano y pise el pedal del acelerador inmediatamente.** De lo contrario, cuando se suelta el pedal del freno de mano pero no se presiona el pedal del acelerador, la podadora podría deslizarse cuesta abajo y el indicador de audio no emitirá un pitido.
- **Cuando conduzca la podadora en una pendiente, nunca intente pisar el pedal del freno de mano para reducir la velocidad durante la conducción.** De lo contrario, cuando se presiona el pedal del freno de mano pero no está puesto en la posición de freno de mano, la podadora puede deslizarse cuesta abajo una vez que se suelta el pedal del freno de mano.

Observe y sostenga el nivel de la línea con un árbol vertical...

Observe y sostenga el nivel de la línea con una varilla... o la esquina de un edificio...

Pliegue por la línea punteada (representa una pendiente de 15 grados) o el poste de una cerca.



INSTRUCCIONES DE FUNCIONAMIENTO

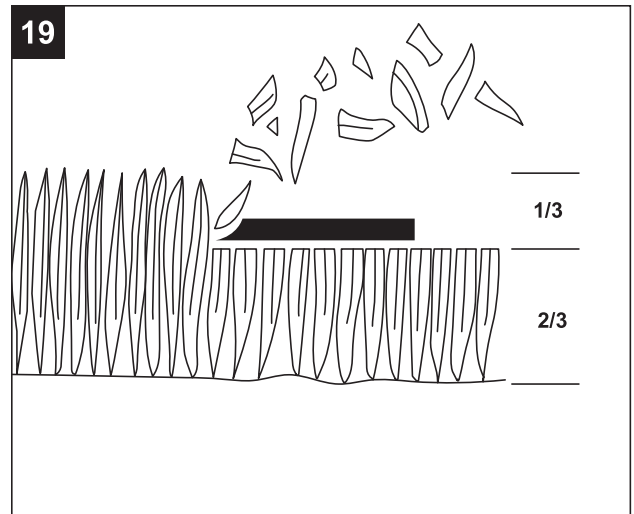
19. Consejos de corte

AVISO: El rendimiento de la podadora será mucho mayor si se usa una cuchilla afilada, especialmente si se corta césped alto. Asegúrese de verificar el filo de la cuchilla antes de cortar.

- Verifique que no haya piedras, palos, cables ni otros objetos en el césped que puedan dañar las cuchillas de corte o los motores de la podadora. Es posible que la podadora lance estos objetos accidentalmente en cualquier dirección y provoque lesiones personales graves al operador y a otras personas.

⚠ ADVERTENCIA: Si golpea un objeto extraño, apague la podadora. Inspeccione minuciosamente la podadora y repare si hay algún daño antes de volver a encenderla y usarla. La vibración excesiva de la podadora durante su funcionamiento advierte un daño. La unidad se debe inspeccionar y reparar de inmediato.

- El resultado del corte será mejor con una velocidad de cuchilla alta y una velocidad de conducción baja. Si el césped no es demasiado largo y denso, se puede aumentar la velocidad de conducción sin que afecte negativamente al resultado del corte.
- Al cortar césped espeso, reduzca la velocidad de conducción para permitir un corte más eficaz y una descarga adecuada de los recortes.
- Comience con una altura de corte alta y redúzcala hasta lograr el resultado de corte deseado. El césped de más de 152 mm (6 pulg.) de largo se debe cortar dos veces, a alturas de corte sucesivamente más bajas.
- Para mantener un césped sano, solo corte un tercio o menos de su altura total (Fig. 19). El césped promedio debe tener aproximadamente de 38 a 51 mm (1-1/2 a 2 pulg.) de largo durante los meses fríos y de 51 a 83 mm (2 a 3-1/4 pulg.) de largo durante los meses cálidos. Para obtener un césped más saludable y con mejor apariencia, corte con más frecuencia después de un crecimiento moderado.
- No corte el césped mojado. Cortar en superficies mojadas puede provocar la pérdida de control y que las ruedas se hundan en el césped blando. El césped mojado se adherirá a la parte inferior de la plataforma e impedirá el embolsado o triturado correcto de los recortes de césped.
- El césped nuevo o grueso puede requerir un corte más angosto o una altura de corte más alta.
- Mantenga limpios la plataforma de corte y el conducto de descarga lateral. Retire los recortes de césped, las hojas, la suciedad y cualquier otro residuo acumulado antes y después de cada uso. Consulte la sección “**Limpieza de la maquina**” en este manual.



20. Consejos para aumentar el tiempo de funcionamiento

Para obtener un tiempo de funcionamiento más prolongado, siga estas pautas:

- No corte más de 38 mm (1.5 pulg.) de césped en una sola pasada.
- No corte el césped mojado.
- Asegúrese de que las cuchillas estén afiladas.
- Asegúrese de que la parte inferior de la plataforma esté limpia.
- Reduzca la velocidad de las cuchillas: utilice el nivel de velocidad baja de las cuchillas.
- No utilice el tapón para compuesto orgánico.
- No cargue dispositivos externos mediante el puerto USB.

INSTRUCCIONES DE FUNCIONAMIENTO

21. Uso en clima frío

AVISO: En climas extremadamente fríos, es posible que el motor de las cuchillas y la función de accionamiento no se inicien de forma correcta debido a la protección de baja temperatura. No realice intentos repetidos que puedan dañar la máquina. Almacene siempre la podadora de césped en un ambiente cálido. Reinicie la podadora cuando esté caliente. La temperatura de funcionamiento recomendada es de 0 °C a 40 °C (32 °F a 104 °F).

22. Indicador de audio (pitidos)

La podadora está equipada con un indicador de audio que emitirá un pitido en determinadas situaciones. Sonará en los siguientes momentos:

- La podadora arranca normalmente, y la pantalla LCD se ilumina con todos los íconos e indicadores. El pitido sonará una vez.
- La podadora se apaga normalmente. El pitido sonará una vez.
- Al comenzar a conducir en reversa o cambiar la dirección de conducción de adelante a atrás mientras conduce, el pitido sonará seis veces.
- Cuando la carga de la batería disponible es muy baja, la podadora pasará al modo de bajo consumo y los pitidos seguirán sonando de forma intermitente hasta que se presione el botón de encendido/apagado de las cuchillas para apagarlas.
- Cuando la podadora esté sobrecargada o sobrecalentada, sonará un pitido.
- Cuando se muestra algún código de falla en la pantalla LCD, el pitido sonará una vez.
- Cuando la podadora deja de circular en una superficie nivelada, se suelta el pedal del acelerador, el operador se levanta del asiento sin poner el pedal del freno de mano en la posición de freno de mano, los pitidos sonarán continuamente para recordarle al operador que ponga el freno de mano por seguridad.
- Cuando la podadora se detiene en una pendiente, se suelta el pedal del acelerador, pero el pedal del freno de mano no está puesto en la posición de freno de mano, sonarán continuamente unos pitidos para recordar al operador que ponga el freno de mano por seguridad.
- Al entrar o salir del CCS (Sistema de control de crucero), el pitido sonará dos veces.
- Cuando la podadora comience a cargarse correctamente, sonará un pitido.

CUIDADO Y MANTENIMIENTO

⚠ ADVERTENCIA: Antes de realizar cualquier mantenimiento, detenga la podadora en una superficie nivelada y espere a que las cuchillas se detengan por completo. Ponga el freno de mano, retire la llave de seguridad y espere a que se apague la luz del botón de arranque/parada para evitar un arranque accidental y posibles lesiones personales graves.

⚠ ADVERTENCIA: para garantizar la seguridad personal, no permita nunca que ninguna persona se sienta en la máquina o la maneje mientras se esté realizando cualquier tarea de mantenimiento.

⚠ ADVERTENCIA: Cuando realice reparaciones, utilice solo piezas de repuesto idénticas a las de fabricación. El uso de cualquier otra pieza puede ser peligroso o causar daños en el producto. Para garantizar la seguridad y confiabilidad, toda reparación debe realizarse por un técnico de reparación calificado.

⚠ ADVERTENCIA: Cumpla estrictamente con todas las especificaciones de apriete de la llave dinamométrica. Si no lo hace, podría causar lesiones personales graves.

AVISO: Permanezca alerta ante ruidos inusuales, ya que podrían estar indicando un problema. Inspeccione a simple vista el producto para detectar cualquier desgaste o daño anormal. Inspeccione periódicamente todo el producto en busca de piezas dañadas, faltantes o sueltas, como tornillos, tuercas, pernos, tapas, etc., además de enredos de cables y cuerdas. Apriete con firmeza todos los sujetadores y tapas, y no opere este producto hasta que se reemplacen todas las piezas faltantes o dañadas.

Intervalo de servicio de mantenimiento	Procedimiento de mantenimiento
Antes de cada uso o diariamente	<ul style="list-style-type: none"> ▪ Compruebe el sistema de bloqueo de seguridad. ▪ Compruebe a simple vista si los neumáticos están inflados. ▪ Inspeccione las cuchillas. ▪ Inspeccione todo el producto en busca de piezas dañadas, faltantes o sueltas, como el conducto de descarga lateral, tornillos, tuercas, pernos, tapas, etc., y asegúrese de que todas las protecciones estén en su lugar y funcionando correctamente. ▪ Verifique y asegúrese de que el pedal del acelerador se pueda presionar y soltar de forma correcta. ▪ Revise el amortiguador del volante. El volante debe girarse con cierta resistencia.
Después de cada uso	<ul style="list-style-type: none"> ▪ Limpie la podadora y lave la plataforma.
Cada 25 horas	<ul style="list-style-type: none"> ▪ Revise la presión de los neumáticos.
Cada 100 horas	<ul style="list-style-type: none"> ▪ Verifique las ruedas delanteras y asegúrese de que la tuerca esté ajustada al torque recomendado de 66 a 68 pies-libras (90 – 92 Nm). ▪ Verifique las ruedas traseras y asegúrese de que las 4 tuercas estén apretadas al torque recomendado: 74 a 76 pies-libras (101-103 Nm).
Cada 200 horas	<ul style="list-style-type: none"> ▪ Compruebe las ruedas delanteras y asegúrese de que giren libremente.

CUIDADO Y MANTENIMIENTO

Intervalo de servicio de mantenimiento	Procedimiento de mantenimiento
Cada medio año	<ul style="list-style-type: none">■ Compruebe el pedal del freno de mano. Tire hacia arriba de la palanca de bloqueo del freno de mano y pise el pedal del freno para poner en posición de freno de mano. Empuje manualmente la podadora hacia adelante para ver si se puede mover sin que giren las ruedas traseras. Si la podadora se mueve y las ruedas traseras giran, comuníquese con el Servicio al Cliente de Kobalt y haga que un técnico de servicio calificado lo repare.
Antes de almacenar	<ul style="list-style-type: none">■ Retire la llave de seguridad de la podadora.■ Realice todos los procedimientos de mantenimiento enumerados anteriormente y limpie a fondo la podadora.■ Inspeccione todo el producto en busca de piezas dañadas, faltantes o sueltas. Reemplace o apriete las piezas correspondientes antes del almacenamiento.
Cada año	<ul style="list-style-type: none">■ Lubrique los casquillos de los ejes de las ruedas delanteras. Consulte el capítulo “Lubricación de los casquillos de los ejes de las ruedas delanteras”.

MANTENIMIENTO GENERAL

- Evite utilizar solventes para limpiar las piezas de plástico. La mayoría de los plásticos tienden a dañarse si se usan distintos tipos de solventes comerciales. Utilice un paño limpio para eliminar la suciedad, el polvo, el aceite, la grasa, etc. El aerosol repelente de insectos puede dañar el plástico y las superficies pintadas. No rocíe repelente de insectos cerca de la podadora.
- La exposición prolongada a la luz solar dañará algunas superficies.
- Si accidentalmente deja la podadora bajo la lluvia, use un paño limpio y seco para secar el asiento, el panel de control, etc., antes de reiniciarla o guardarla.

ADVERTENCIA:

- Nunca deje que el líquido de frenos, la gasolina, los productos a base de petróleo, los aceites penetrantes, entre otros, entren en contacto con las piezas de plástico. Los químicos pueden dañar, debilitar o destruir el plástico, lo que puede causar lesiones personales graves.

Limpieza de la máquina

Elimine cualquier acumulación de césped y hojas sobre la carcasa de la podadora o alrededor de ella. Use protección para los ojos. Y use aire comprimido después de cada uso para limpiar la carcasa de la podadora o la parte superior de ella.

La parte inferior de la plataforma también debe limpiarse con el puerto de lavado después de cada uso, ya que se acumularán recortes de césped, hojas, suciedad y otros desechos, especialmente cuando el césped está mojado o tiene un alto contenido de humedad. Esta acumulación no es deseable, ya que se endurecerá, lo que restringirá el movimiento de las cuchillas y del aire. Esto probablemente dará como resultado una peor calidad de corte e incluso promoverá la oxidación y la corrosión.

CUIDADO Y MANTENIMIENTO

Uso del puerto de lavado para limpiar la plataforma

AVISO: Siga este procedimiento después de CADA USO para evitar la acumulación y eliminar los productos químicos corrosivos para el césped.

IMPORTANTE: Puede lavar la máquina con un detergente suave y agua. No lave la máquina a presión. Evite el uso excesivo de agua, especialmente cerca del panel de control, debajo del asiento, alrededor de los motores y todos los componentes y rodamientos eléctricos.

a. Active el freno de mano. Consulte la sección “**Ajuste del freno de mano**” en este manual.

b. Ajuste la altura de la plataforma al mínimo. Consulte la sección “**Ajuste de la altura de corte**” de este manual.

c. Conecte el acoplador rápido del puerto de lavado (FF) suministrado a una manguera para jardín (no incluida).

d. Conecte la manguera para jardín con el acoplador rápido (FF) al puerto de lavado (D) en la plataforma de corte como se muestra en la Fig. 21 hasta que escuche un clic claro. El puerto de lavado está en el lado izquierdo de la plataforma de corte.

e. Abra el agua.

f. Introduzca la llave de seguridad (EE), presione el pedal del freno (K) y simultáneamente presione el botón de arranque/apagado (E1) durante más de 3 segundos para iluminar la pantalla LCD.

g. Presione el botón de arranque/apagado de las cuchillas (G1) durante más de 3 segundos para arrancar los motores de las cuchillas y ajustar la velocidad de las cuchillas al nivel alto. Consulte la sección “**Para seleccionar su nivel de velocidad de cuchillas**” en este manual.

h. Deje correr agua debajo de la plataforma durante aproximadamente un minuto.

i. Presione el botón de arranque/apagado de las cuchillas (G1) de nuevo para apagar los motores de las cuchillas.

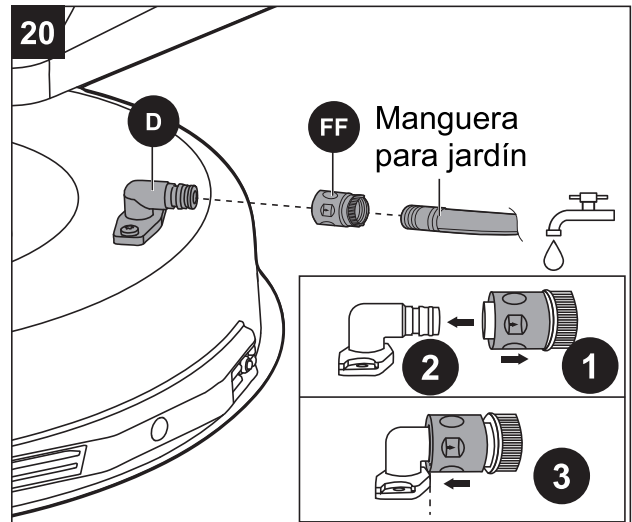
j. Cierre el agua y retire la manguera para jardín y el acoplador rápido (FF) del puerto de lavado.

k. Retire el acoplador rápido (FF) de la manguera para jardín y guárdelo en un lugar seguro para uso futuro.

l. Apague la podadora por completo. Consulte la sección “**Detener la podadora**”.

NOTA: Al limpiar la plataforma con el puerto de lavado, la podadora puede estar en modo de trituración o de descarga lateral.

NOTA: Si la plataforma no está limpia después de un ciclo de lavado, repita el proceso hasta que esté completamente limpia.



CUIDADO Y MANTENIMIENTO

NIVELACIÓN DE LA PLATAFORMA

⚠ ADVERTENCIA: Siempre use guantes para trabajo pesado y envuelva los bordes cortantes con harapos u otros materiales para protegerse las manos cuando realice cualquier tarea de mantenimiento a las cuchillas para podadora.

- Antes de decidir que es necesario nivelar la plataforma, asegúrese de que los neumáticos estén correctamente inflados a la presión recomendada (consulte la sección “**COMPROBAR LA PRESIÓN DE LOS NEUMÁTICOS**” en este manual). Un inflado excesivo o insuficiente de los neumáticos puede afectar al aspecto del césped cortado, y un inflado adecuado de los neumáticos puede ser todo lo que se necesita para resolver los problemas de corte desigual. Si los neumáticos están poco o demasiado inflados, la plataforma no puede ajustarse correctamente.
- Verifique que no haya cuchillas dobladas antes de nivelar. Retire y reemplace las cuchillas dobladas. Consulte la sección “**REEMPLAZO DE LAS CUCHILLAS DE CORTE**” en este manual como referencia.
- Ajuste la plataforma mientras la podadora está sobre una superficie nivelada. Eleve la plataforma a la posición más alta.

NOTA: Las ruedas protectoras de la plataforma de la podadora no deben hacer contacto con el suelo al nivelar la plataforma.

NOTA: La plataforma debe ajustarse un poco más arriba en la parte trasera.

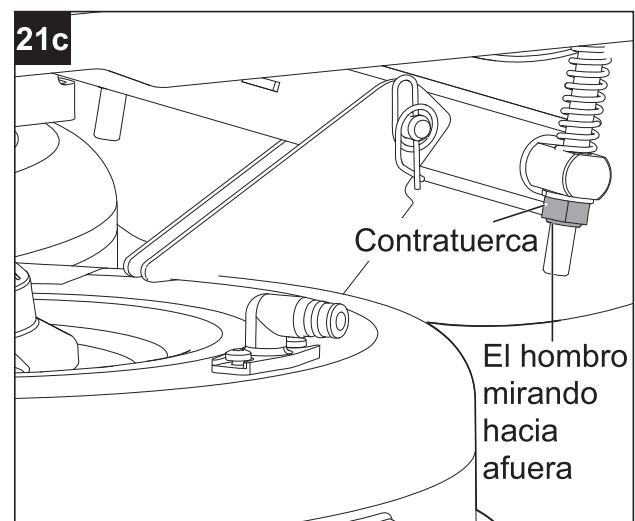
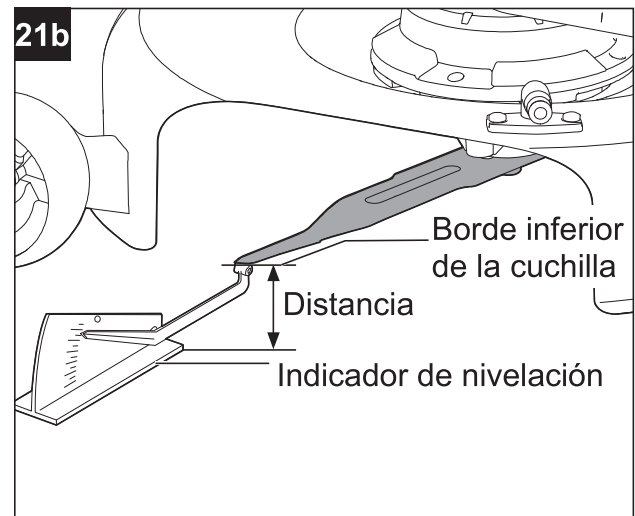
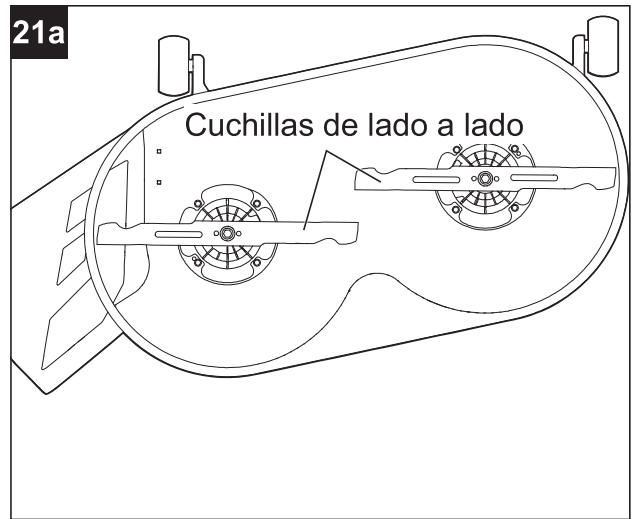
CUIDADO Y MANTENIMIENTO

Herramientas necesarias (no incluidas): una llave española de 21 mm (13/16 pulg.), una llave española de 18 mm (23/32 pulg.) o una llave inglesa ajustable, un indicador de nivelación.

Para realizar un ajuste a los lados

- Apague la podadora, ponga el freno de mano y retire la llave de seguridad.
- Coloque ambas cuchillas de modo que los extremos apunten hacia los lados de la podadora (Fig. 21a).
- En el borde exterior de cada cuchilla, mida la distancia desde el borde inferior del costado de la cuchilla hasta el suelo (Fig. 21b). Si la distancia entre los dos lados es mayor que 5 mm (13/64 pulg.), es necesario realizar un ajuste a los lados.
- En el lado que desea ajustar, use una llave española de 21 mm (13/16 pulg.) o una llave inglesa ajustable (no incluida) para ajustar la contratuerca en la parte trasera de la podadora de césped (Fig. 21c).
- Mida nuevamente. Continúe ajustando y midiendo hasta que la diferencia entre las distancias en cada lado esté dentro de 5 mm (13/64 pulg.).
- Proceda al ajuste de adelante hacia atrás o vuelva a apretar las tuercas.

NOTA: En caso de que la contratuerca de la parte trasera se retire accidentalmente de la máquina, vuelva a montarla con el reborde de la contratuerca hacia afuera. No son necesarias las dos tuercas en el varillaje de suspensión.



CUIDADO Y MANTENIMIENTO

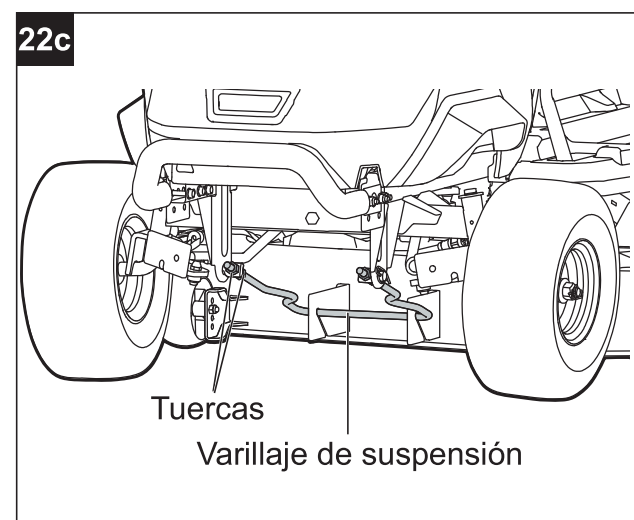
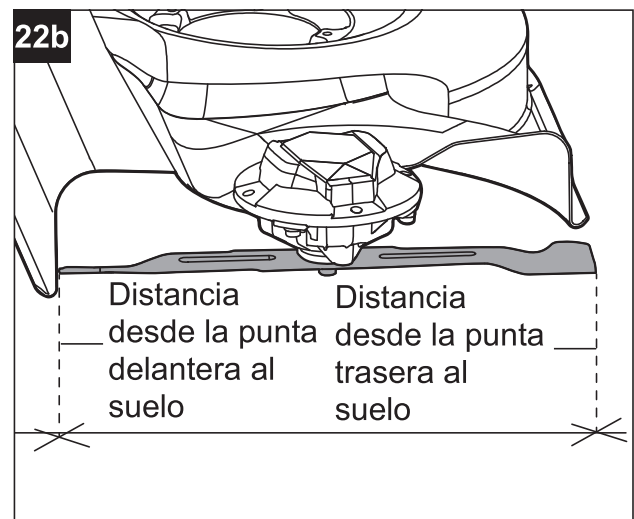
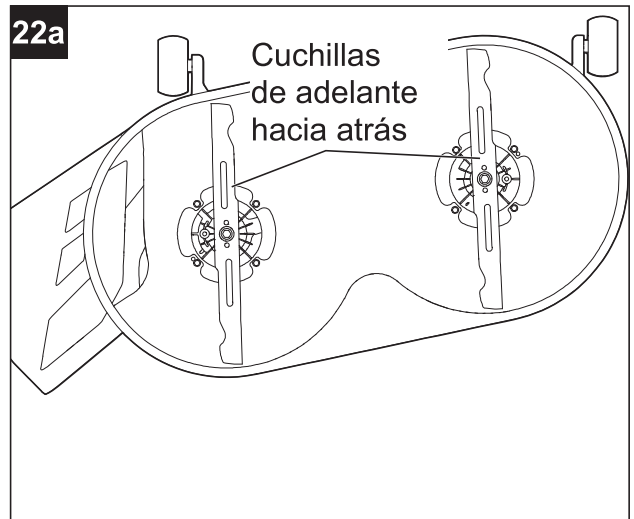
Para realizar el ajuste de adelante hacia atrás

AVISO: Siempre nivele la plataforma de lado a lado antes de realizar un ajuste de adelante hacia atrás.

- Coloque ambas cuchillas de modo que los extremos apunten hacia adelante y atrás de la podadora (Fig. 22a).
- Mida la distancia desde la punta de una cuchilla hasta el suelo (ver Fig. 22b). Para obtener mejores resultados, la punta delantera de la cuchilla debe estar entre 2 mm a 10 mm (5/64 a 25/64 pulg.) más baja que la punta trasera.
- Si es necesario un ajuste de adelante hacia atrás, use una llave española de 18 mm (23/32 pulg.) o una llave inglesa ajustable (no incluida) para ajustar las cuatro tuercas en el varillaje de suspensión (dos para cada lado) (Fig. 22c).

AVISO: Asegúrese de girar las tuercas correspondientes en ambos lados por igual para evitar alterar la medida de lado a lado.

- Mida nuevamente para verificar que la punta delantera esté ahora 2 mm a 10 mm (5/64 a 25/64 pulg.) más baja que la punta trasera. Si no es así, continúe ajustando y midiendo hasta que lo estén.
- Apriete las tuercas nuevamente. El torque recomendado para las tuercas es de 38-42 pie-libras (52-57 Nm).



CUIDADO Y MANTENIMIENTO

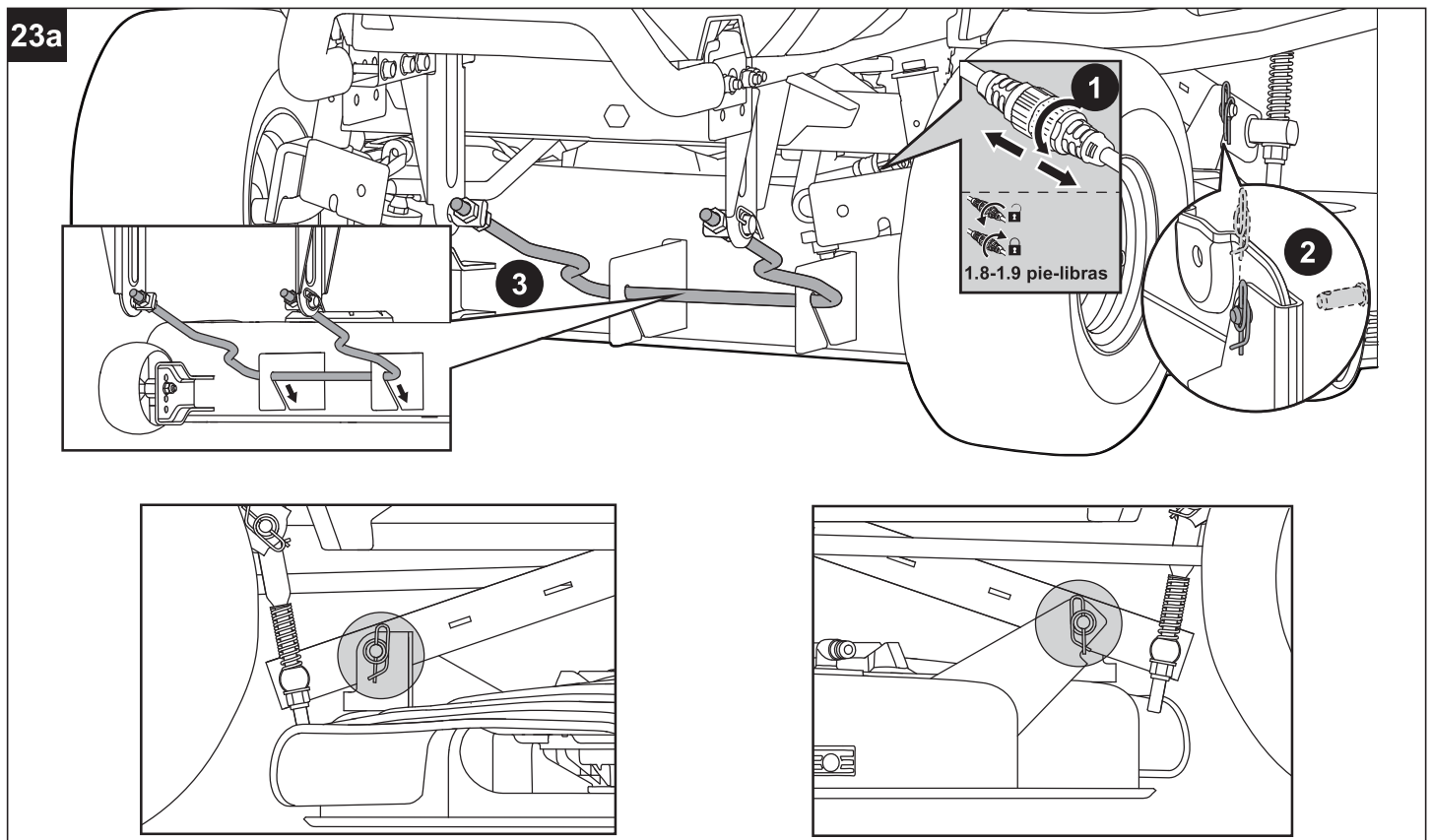
QUITAR LA PLATAFORMA

⚠ ADVERTENCIA:

- Asegúrese de que la podadora esté correctamente asegurada y que el freno de mano esté puesto antes de continuar.

Siga los pasos a continuación para retirar la plataforma del producto primero y, luego, realizar el mantenimiento.

- a. Apague la podadora, ponga el freno de mano y retire la llave de seguridad.
- b. Ajuste la palanca de ajuste de altura de la plataforma a la posición de altura de corte más baja.
- c. Desconecte ambos cables del motor de las cuchillas.
- d. Coloque un tapete o una estera (de un tamaño similar al de la plataforma) debajo de la plataforma para evitar daños a la misma.
- e. Retire los pasadores de chaveta y empuje los pasadores del eje hacia afuera. Guarde ambos juegos para volver a ensamblar la plataforma.
- f. Empuje la plataforma hacia atrás (hacia las ruedas traseras) y gire el varillaje de suspensión en dirección de las manecillas del reloj para liberarlo de los ganchos de la plataforma (Fig. 23a).



CUIDADO Y MANTENIMIENTO

- g. Tire del tapete o la esterilla (con la plataforma encima) hacia un lado para retirarlos de debajo de la podadora (Fig. 23b).
- h. Limpie la plataforma o reemplace las cuchillas como se indica en “**REEMPLAZO DE LAS CUCHILLAS DE CORTE**” en este manual.
- i. Cuando finalice la limpieza o el reemplazo de las cuchillas, vuelva a ensamblar la plataforma en la podadora en orden inverso.

AVISO: Vuelva a conectar los cables del motor y asegúrese de que el cable del motor izquierdo esté conectado al motor izquierdo y que el cable del motor derecho esté conectado al motor derecho. Los cables están marcados con “left” (izquierda) y “right” (derecha).

AVISO: Asegúrese de que ambos cables del motor estén conectados al motor con el torque adecuado. El par recomendado es de 1.8 a 1.9 pies-libras. (2.4-2.6 Nm).

REEMPLAZO DE LAS CUCHILLAS DE CORTE

⚠ ADVERTENCIA:

- Siempre use guantes para trabajo pesado y envuelva los bordes cortantes con harapos u otros materiales para protegerse las manos cuando realice cualquier tarea de mantenimiento a las cuchillas. Siempre retire la llave de seguridad antes de realizar tareas de mantenimiento o transportar la podadora.

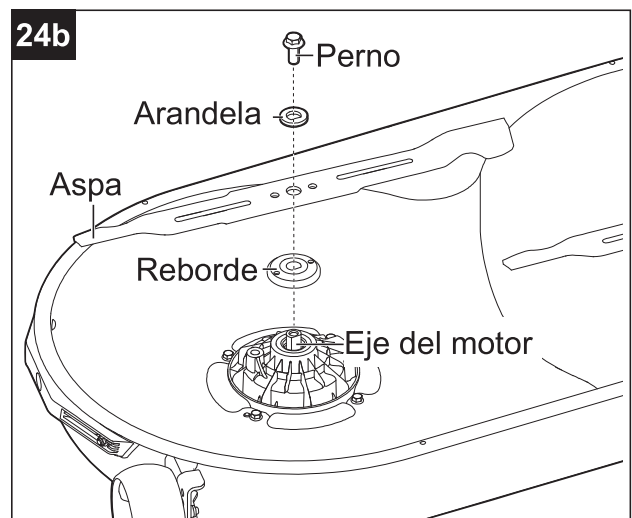
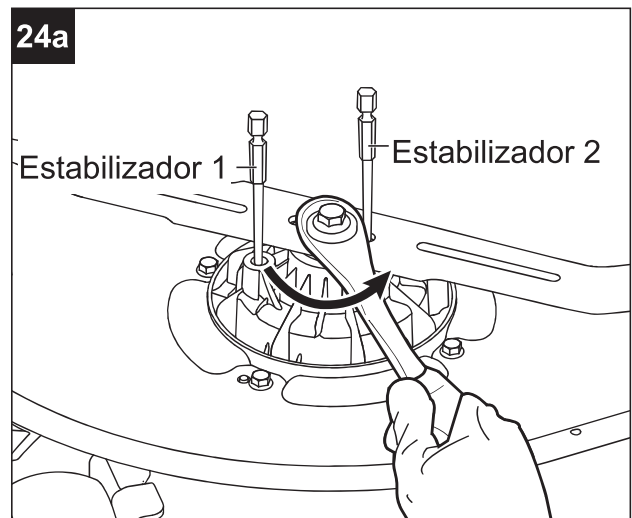
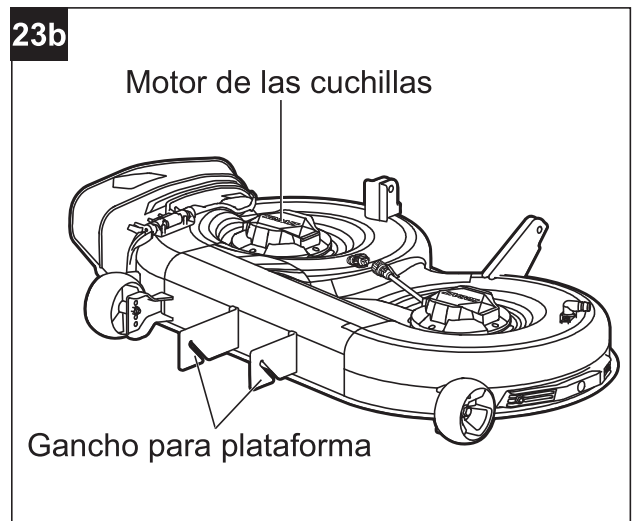
Herramientas necesarias:

- Llave de torque con dado de 14 mm (9/16 pulg.).
- Destornillador o varilla de metal de 8 mm (5/16 pulg.) o un poco menos de diámetro.
- Destornillador o varilla de metal de 6.35 mm (1/4 pulg.) o un poco menos de diámetro.

Herramientas recomendadas (no incluidas): una llave de percusión con casquillo de 14 mm (9/16 pulg.) facilita mucho la extracción de los pernos de la cuchilla.

Para retirar la cuchilla de corte

- a. Apague la podadora, ponga el freno de mano y retire la llave de seguridad.
- b. Retire la plataforma como se indica en la sección “**Quitar la plataforma**” de este manual.
- c. Voltee la plataforma en el suelo para que las cuchillas miren hacia arriba.



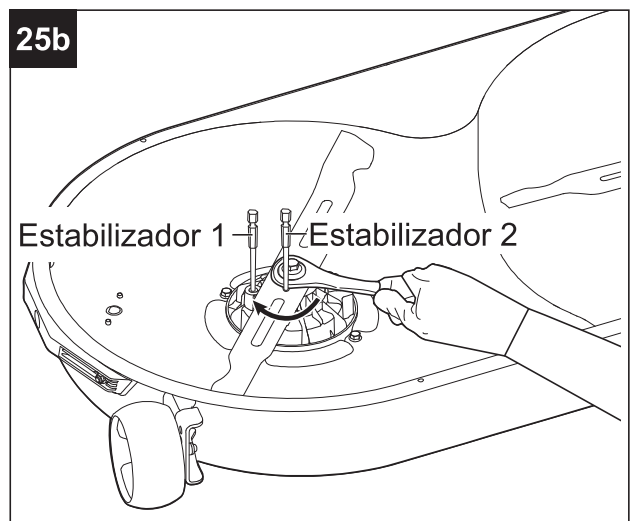
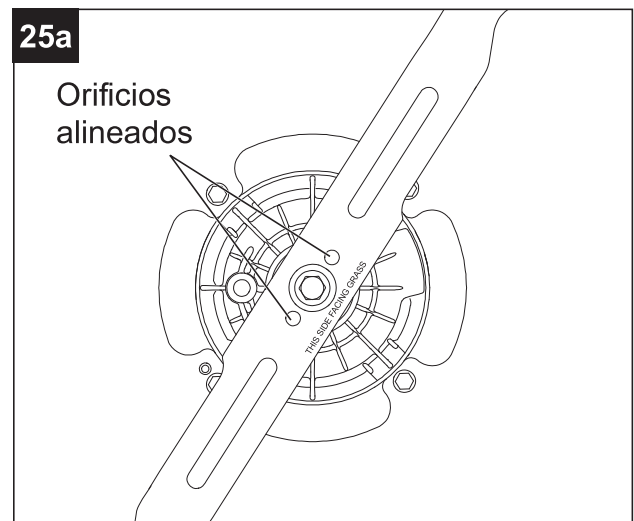
CUIDADO Y MANTENIMIENTO

- d. Mientras usa guantes protectores, coloque un destornillador o una varilla de metal de 8 mm (5/16 pulg.) o un poco menos de diámetro en el orificio de fijación del motor para que actúe como estabilizador 1. Coloque otro destornillador o varilla de metal de 6.35 mm (1/4 pulg.) o un poco menos de diámetro (por ejemplo, una broca) en el orificio alineado de la cuchilla y el reborde para actuar como estabilizador 2 (Fig. 24a).
- e. Use una llave inglesa de 14 mm (9/16 pulg.) (no incluida) para girar el perno de la cuchilla en dirección contraria a las manecillas del reloj para aflojarlo (Fig. 24a).
- f. Mientras usa guantes protectores, retire el perno, la arandela y la cuchilla (Fig. 24b). El reborde puede permanecer en el eje del motor.

Para instalar la cuchilla de corte

AVISO: Para reinstalar las cuchillas o reemplazarlas, asegúrese de volver a colocar todas las piezas en el orden exacto en que se retiraron (Fig. 24b).

- a. Si se retira el reborde durante la extracción de la cuchilla, alinéelo primero con el eje del motor y, luego, ensámblelo en su lugar.
- b. Mientras usa guantes protectores, coloque la cuchilla en el reborde con la superficie que indica “ESTE LADO ORIENTADO AL CÉSPED” hacia el exterior (Fig. 25a).
- c. Alinee la arandela con el eje del motor y móntela en el eje del motor.
- d. Monte el perno en el eje del motor. Apriete el perno con la mano en dirección de las manecillas del reloj.
- e. Mueva la cuchilla con la mano y alinee los dos orificios de la cuchilla con los dos orificios del reborde (Fig. 25a).
- f. Coloque un destornillador o varilla de metal de 6.35 mm (1/4 pulg.) o un poco menos de diámetro (p. ej., una broca) en el orificio alineado de la cuchilla y el reborde para que actúe como estabilizador 1. Coloque otro destornillador o varilla de metal 8 mm (5/16 pulg.) o un poco menos de diámetro en el orificio de fijación del motor para que actúe como estabilizador 2 (Fig. 25b).
- g. Utilice una llave de torque de 14 mm (9/16 pulg.) para apretar el perno en dirección de las manecillas del reloj. El torque recomendado para la tuerca de la cuchilla es de 36 a 41 pies-libras (50-55 Nm).
- h. Repita los pasos con la segunda cuchilla, si es necesario.
- i. Vuelva a ensamblar la plataforma en podadora como se indica en “**QUITAR LA PLATAFORMA**” en este manual.



CUIDADO Y MANTENIMIENTO

⚠ ADVERTENCIA:

- Asegúrese de que la cuchilla esté correctamente colocada y que el perno de la cuchilla esté apretado según las especificaciones de torsión anteriores. No fijar correctamente la cuchilla podría hacer que se suelte y provocar posibles lesiones personales graves.

AFILADO DE LAS CUCHILLAS DE CORTE

AVISO: Mantenga la cuchilla afilada para obtener el mejor rendimiento. Una cuchilla desafilada no corta el césped con precisión ni lo tritura adecuadamente. Se puede afilar una cuchilla desafilada, pero se debe reemplazar la cuchilla que esté muy desgastada, doblada, agrietada o dañada. Una cuchilla desgastada o dañada puede romperse y provocar que se lancen pedazos de las cuchillas desde la podadora. Si descubre que las cuchillas están dobladas, comuníquese con el Servicio al Cliente de Kobalt de inmediato. Nunca intente enderezar una cuchilla doblada con calor ni soldar una cuchilla agrietada o rota.

Frecuencia de afilado

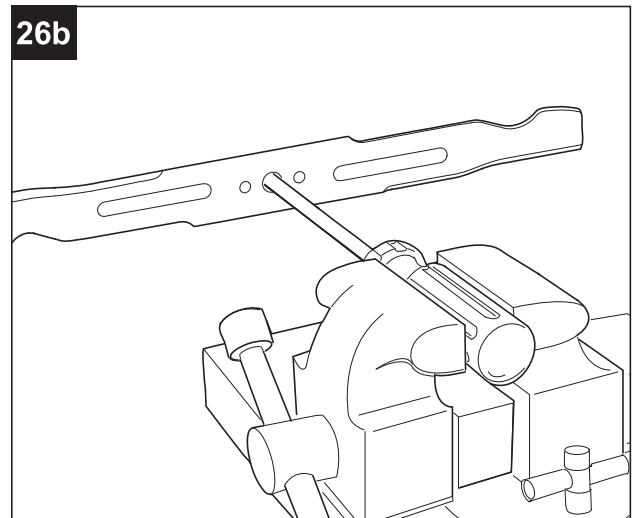
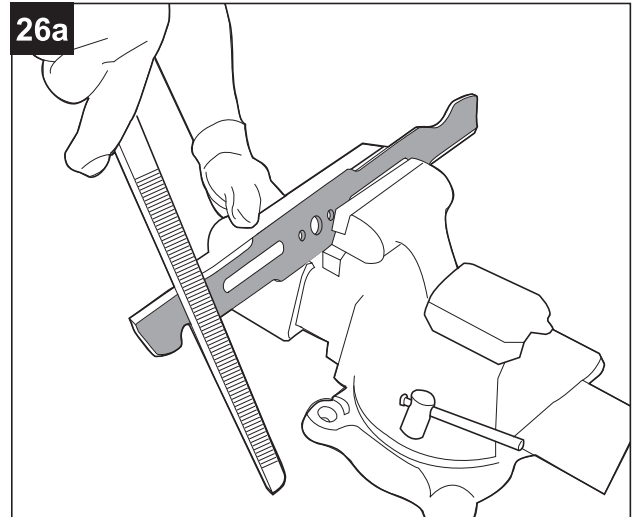
Afilarse la cuchilla de corte dos veces durante una temporada de corte suele ser suficiente en circunstancias normales. La arena hace que la cuchilla se desafilé rápidamente. Si el césped tiene suelo arenoso, es posible que se requiera un afilado más frecuente.

Cuando se afila la cuchilla de corte:

- a. Asegúrese de que la cuchilla permanezca equilibrada.
- b. Afile la cuchilla de corte en el ángulo de corte original.
- c. Afile los bordes de corte en ambos extremos de la cuchilla y elimine una cantidad igual de material de cada extremo.

Afilarse la cuchilla en un tornillo de banco

- a. Retire la cuchilla de la podadora (consulte la sección **“Reemplazo de las cuchillas de corte”** en este manual).
- b. Asegure la cuchilla en un tornillo de banco (Fig. 26a).
- c. Use guantes y lentes de protección adecuados y tenga cuidado de no cortarse.
- d. Lime cuidadosamente los bordes de corte de la cuchilla con una lima de dientes finos o una piedra de afilar. Mantenga el ángulo del borde de corte original.



CUIDADO Y MANTENIMIENTO

- e. Para comprobar el equilibrio de la cuchilla: sujete un clavo o un destornillador con un vástago redondo en posición horizontal. Coloque la cuchilla de manera que el clavo o el vástago redondo del destornillador soporte la cuchilla a través de su orificio central. Equilibre la cuchilla horizontalmente. Si cualquiera de los extremos de la cuchilla gira hacia abajo, retire algo de metal del extremo pesado (o inferior) hasta que la cuchilla esté equilibrada. La cuchilla está equilibrada cuando ninguno de los extremos se va hacia abajo (Fig. 26b).
- f. Vuelva a colocar la cuchilla y móntela firmemente en la podadora (consulte la sección “**Reemplazo de las cuchillas de corte**” en este manual).

⚠ ADVERTENCIA:

- Una cuchilla desequilibrada provocará una vibración excesiva al girar a gran velocidad. Puede causar daños a la podadora y podría romperse, lo que provocaría lesiones personales.

COMPROBAR LA PRESIÓN DE LOS NEUMÁTICOS (Fig. 27)

Herramientas necesarias (no incluidas): medidor de presión de los neumáticos; compresor de aire/inflador o bomba de aire para bicicleta de alta resistencia.

Verifique la presión de aire en todos los neumáticos antes de usarlos. Una presión de aire inadecuada afectará el manejo, la respuesta de la dirección, la tracción, la vida útil de los neumáticos, el nivel de corte y la comodidad del operador. Asegúrese de que los neumáticos estén inflados a la presión que se muestra en la Fig. 27.

Es importante para cortar el césped nivelado que todos los neumáticos tengan la cantidad correcta de presión de aire. Si la podadora no avanza en línea recta, verifique primero la presión de aire de las ruedas.

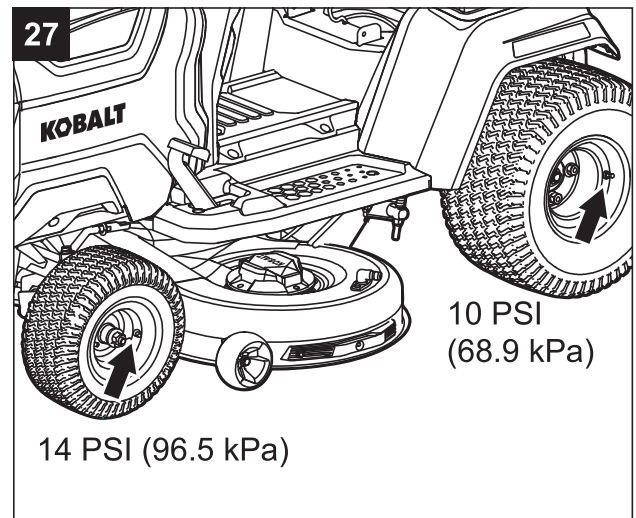
AVISO: La presión de los neumáticos solo debe medirse o ajustarse cuando los neumáticos estén “fríos” (la podadora aún no se ha conducido).

⚠ ADVERTENCIA:

- Compruebe la presión de los neumáticos cuidadosamente mientras los infla. Demasiado aire en el neumático podría hacer que explote y provocar lesiones personales graves.

⚠ ADVERTENCIA:

- Mantener la presión de aire correcta en los neumáticos es muy importante. Muy poca presión podría hacer que el neumático se salga de la llanta. Demasiada presión podría provocar que el neumático explote. No mantener la presión de aire correcta en los neumáticos podría causar problemas con el funcionamiento y la estabilidad de la podadora, y provocar lesiones personales graves.

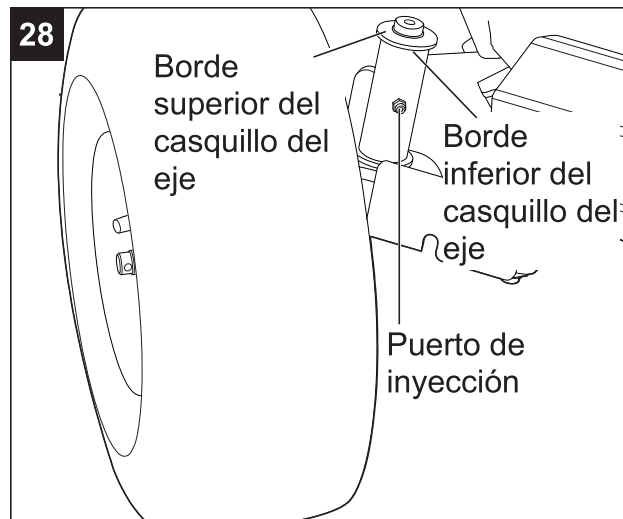


CUIDADO Y MANTENIMIENTO

LUBRICACIÓN DE LOS CASQUILLOS DE LOS EJES DE LAS RUEDAS DELANTERAS (Fig. 28)

Herramientas necesarias (no incluidas): jeringa de grasa.

Los engranajes de las ruedas delanteras deben lubricarse de forma periódica con grasa para engranajes. Si las ruedas delanteras de la podadora cuando giran hacen un ruido anormal, retire la llave de seguridad y, luego, llene los puertos de inyección con grasa hasta que esta rebose el borde superior o inferior de los casquillos de los ejes de las ruedas delanteras.



TRANSPORTE DE LA MÁQUINA (Fig. 29)

AVISO: no se recomienda remolcar la máquina directamente. Si es necesario, asegúrese siempre de que las ruedas posteriores de la máquina estén levantadas del piso durante el remolcado. De lo contrario, se podría dañar la máquina.

AVISO: Cuando se utiliza un montacargas, la máquina debe transportarse en el marco inferior en todo momento. ¡El montacargas nunca debe entrar en contacto directo con la máquina!

Recomendamos conservar el marco inferior para facilitar el transporte posterior de la máquina para su mantenimiento.

Consulte el capítulo “TRANSPORTE” más arriba en este manual para obtener instrucciones de seguridad antes de transportar la máquina.

Equipamiento necesario (no incluido):

- Camioneta o remolque de tamaño completo con plataforma lo suficientemente grande como para que quepa la máquina.
- 3 correas de amarre con trinquete.
- Cinta métrica.
- Cuerdas elásticas o soga.
- 2 personas.
- 2 rampas plegables para ATV de doble corredor con al menos 300 kg (661 libras) de capacidad y 30.5 cm (12 pulgadas) de ancho. La longitud de la rampa está determinada por la altura de la plataforma del camión/remolque sobre el suelo.

Por su seguridad, asegúrese de que la inclinación de las rampas sea inferior a 15° siempre que sea posible.

⚠ ADVERTENCIA:

- **Para reducir el riesgo de lesiones y daños materiales, NUNCA conduzca la máquina por la rampa, hacia arriba o hacia abajo.**

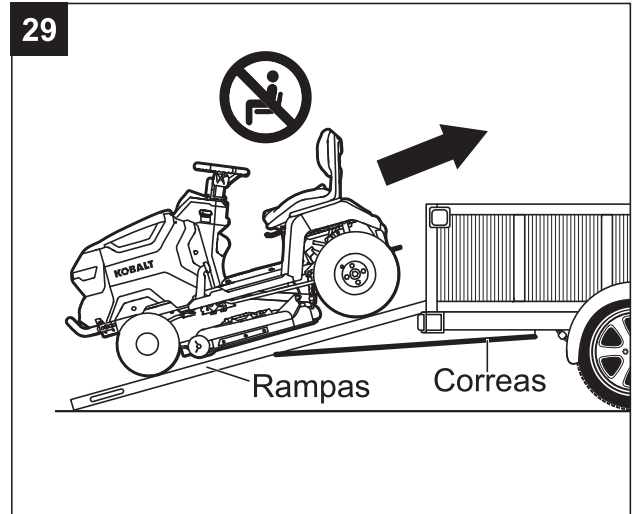
CUIDADO Y MANTENIMIENTO

⚠ ADVERTENCIA:

- **Objeto pesado. Se necesitan dos personas para cargar/descargar la máquina.**

Para cargar la máquina en un camión o remolque

- a. Asegúrese de que su camión o remolque esté estacionado en una superficie nivelada. La parte trasera de la máquina debe mirar hacia la parte trasera del camión/remolque.
- b. Retire la llave de seguridad de la máquina.
- c. Levante el conducto de descarga lateral y asegúrelo en posición vertical con cuerdas elásticas o una soga.
- d. Despliegue las rampas y alinee a simple vista la parte inferior de cada rampa con el centro de la rueda trasera correspondiente.
- e. Utilice la cinta métrica para asegurarse de que los extremos superiores de las rampas estén paralelos a los extremos inferiores.
- f. Conecte un extremo de la correa del trinquete al gancho de la cadena de seguridad del camión/remolque. Conecte el otro extremo a la bisagra (o centro) de la rampa. Repita este paso con la otra rampa.
- g. Apriete las correas y asegúrese de que las rampas estén seguras y que no haya movimiento cuando tire de las rampas o las correas.



⚠ ADVERTENCIA:

- **Asegúrese siempre de que las rampas estén bien sujetas.** Las rampas mal sujetas pueden hacer que la máquina se caiga, lo que provocaría lesiones personales y daños graves.
- h. Utilice la cinta métrica para verificar una vez más que las rampas estén paralelas.
 - i. Asegúrese de que el pedal del freno de mano de la máquina esté desactivado.
 - j. Cada persona debe colocar una mano en la carcasa de plástico cerca del panel de control y la otra en el guardabarros trasero, y empujar la máquina hacia arriba por la rampa. **NUNCA** utilice el volante, la palanca de ajuste de altura de la plataforma ni ninguna parte del asiento para empujar la máquina.
 - k. Una vez que la máquina esté en la plataforma del camión/remolque, asegúrela en su lugar con las correas de amarre. Una correa para asegurar la parte delantera de la máquina y las dos correas restantes para asegurar el enganche.
 - l. Utilice el volante para girar las ruedas delanteras hacia la izquierda o hacia la derecha tanto como sea posible.
 - m. Ponga el freno de mano.

Para descargar la máquina de un camión o remolque

- a. Suelte las correas de amarre y quite el freno de mano.
- b. Utilice el volante para girar las ruedas delanteras de modo que queden paralelas a la dirección de la máquina.
- c. Despliegue las rampas y alinee la parte superior de cada rampa con el centro de la rueda delantera correspondiente.

CUIDADO Y MANTENIMIENTO

- d. Utilice la cinta métrica para asegurarse de que los extremos inferiores de las rampas estén paralelos a los extremos superiores.
- e. Conecte un extremo de la correa del trinquete al gancho de la cadena de seguridad del camión/remolque. Conecte el otro extremo a la bisagra (o centro) de la rampa. Repita este paso con la otra rampa.
- f. Apriete las correas y asegúrese de que las rampas estén seguras y que no haya movimiento cuando tire de las correas.

ADVERTENCIA:

- **Asegúrese siempre de que las rampas estén bien sujetas.** Las rampas mal sujetas pueden hacer que la máquina se caiga, lo que provocaría lesiones personales y daños graves.
- g. Utilice la cinta métrica para verificar una vez más que las rampas estén paralelas.
 - h. Cada persona debe colocar una mano en la carcasa de plástico cerca del panel de control y la otra en el guardabarros trasero, y dirigir con cuidado la máquina por la rampa. **NUNCA** utilice el volante, la palanca de ajuste de altura de la plataforma ni ninguna parte del asiento para empujar/apoyar la máquina.

ALMACENAMIENTO

Debe seguir en orden los pasos a continuación antes de guardar la podadora.

- Cada seis meses de almacenamiento a largo plazo, cargue completamente la batería para obtener la mayor duración posible.
- Retire la llave de seguridad de la podadora.
- Limpie completamente la podadora. Consulte la sección “**MANTENIMIENTO GENERAL**” de este manual como referencia.
- Inspeccione la podadora en busca de piezas desgastadas o dañadas y apriete las tuercas o tornillos que puedan haberse aflojado.
- Almacene la podadora en un lugar limpio y seco. No la deje cerca de materiales corrosivos, como fertilizantes o sal de roca.
- Almacene la podadora en un lugar cubierto, cerrado y fuera del alcance de los niños.

AVISO: Las cubiertas plásticas atrapan la humedad alrededor de la podadora, lo que produce óxido y corrosión.

SOLUCIÓN DE PROBLEMAS

AVISO: Retire la llave de seguridad y, luego, vuelva a insertarla unos minutos más tarde para reiniciar la podadora antes de realizar los procedimientos de solución de problemas.

PROBLEMA	CAUSA	SOLUCIÓN
La podadora no avanza cuando se pisa el pedal del acelerador.	<ul style="list-style-type: none"> El nivel de batería de la podadora está bajo. 	<ul style="list-style-type: none"> Cargue la batería de la podadora.
	<ul style="list-style-type: none"> El pedal del freno de mano (K) está puesto en la posición de freno de mano. 	<ul style="list-style-type: none"> Pise a fondo el pedal del freno de mano (K) para liberarlo de la posición del freno de mano.
	<ul style="list-style-type: none"> El ícono del freno de mano (d) parpadea en la pantalla LCD. 	<ul style="list-style-type: none"> Pise a fondo el pedal del freno de mano (K), luego, suelte y presione el pedal del acelerador (Q) para conducir la podadora.
	<ul style="list-style-type: none"> El operador no está sentado en el asiento. 	<ul style="list-style-type: none"> La podadora solo se puede utilizar cuando el operador está completamente sentado en el asiento.
	<ul style="list-style-type: none"> El sistema de bloqueo de seguridad del asiento no está conectado correctamente. 	<ul style="list-style-type: none"> Retire la llave de seguridad (EE) de la podadora y levante el respaldo del asiento para asegurarse de que el enchufe del cable esté correctamente conectado al enchufe situado en la parte inferior del asiento (consulte el capítulo “Instalación del asiento”). Siga las instrucciones en “Arranque de la podadora” para reiniciar la podadora y ver si se puede arrancar. De lo contrario, comuníquese con el Servicio al Cliente de Kobalt y haga que un técnico de servicio calificado realice las reparaciones.
	<ul style="list-style-type: none"> En climas extremadamente fríos, es posible que la función de accionamiento no se inicie de forma correcta debido a la protección de baja temperatura. 	<ul style="list-style-type: none"> Almacene siempre la podadora de césped en un ambiente cálido. Reinicie la podadora cuando esté caliente. No realice intentos repetidos en condiciones de frío extremo, ya que podría dañar la máquina. La temperatura de funcionamiento recomendada es de 0 °C a 40 °C (32 °F a 104 °F).
	<ul style="list-style-type: none"> La trayectoria de desplazamiento del pedal del acelerador (Q) está obstruida con residuos. 	<ul style="list-style-type: none"> Revise y retire la suciedad.
	<ul style="list-style-type: none"> Fallo de componentes mecánicos o electrónicos del pedal del acelerador (Q). 	<ul style="list-style-type: none"> Comuníquese con el Servicio al Cliente de Kobalt y haga que un técnico de servicio calificado realice las reparaciones.
	<ul style="list-style-type: none"> La palanca de control de dirección (D1) está en la posición “N”. 	<ul style="list-style-type: none"> Tire/empuje la palanca de control de dirección (D1) en la dirección “D” o “R”.

SOLUCIÓN DE PROBLEMAS

PROBLEMA	CAUSA	SOLUCIÓN
La podadora deja de moverse.	<ul style="list-style-type: none"> Al cambiar entre avance y reversa durante la conducción, la palanca de control de dirección (D1) permanece en la posición neutral “N” durante mucho tiempo. 	<ul style="list-style-type: none"> Suelte el pedal del acelerador (Q) y, luego, presiónelo de nuevo.
	<ul style="list-style-type: none"> Fallo de componentes electrónicos del pedal del acelerador. 	<ul style="list-style-type: none"> Comuníquese con el Servicio al Cliente de Kobalt y haga que un técnico de servicio calificado realice las reparaciones.
	<ul style="list-style-type: none"> El sistema de bloqueo de seguridad del asiento se desconectó durante la conducción en terreno accidentado. 	<ul style="list-style-type: none"> Retire la llave de seguridad (EE) de la podadora y levante el respaldo del asiento para asegurarse de que el enchufe del cable esté correctamente conectado al enchufe situado en la parte inferior del asiento (consulte el capítulo “Instalación del asiento”). Siga las instrucciones en “Arranque de la podadora” para reiniciar la podadora y ver si se puede arrancar. De lo contrario, comuníquese con el Servicio al Cliente de Kobalt y haga que un técnico de servicio calificado realice las reparaciones.
	<ul style="list-style-type: none"> El peso del operador no está distribuido de forma uniforme sobre el asiento. El peso del operador en el asiento debe ser de al menos 20 kg (44 libras) para que el sistema de bloqueo de seguridad del asiento funcione correctamente. 	<ul style="list-style-type: none"> Siéntese correctamente en el asiento, pise a fondo el pedal del freno de mano (K) y suéltelo; la podadora estará lista para circular.

SOLUCIÓN DE PROBLEMAS

PROBLEMA	CAUSA	SOLUCIÓN
Las cuchillas de la podadora no arrancan cuando se activa el botón de arranque/apagado de las cuchillas (G1). El ícono de “cuchillas encendidas” (f) en la pantalla LCD y la luz del botón de arranque/apagado de las cuchillas parpadean.	<ul style="list-style-type: none"> El nivel de batería de la podadora está bajo. 	<ul style="list-style-type: none"> Cargue la podadora.
	<ul style="list-style-type: none"> La podadora se sobrecarga en el momento en que las cuchillas empiezan a girar, lo que activa la autoprotección de los motores de las cuchillas. 	<ul style="list-style-type: none"> Primero, comience a cortar el césped a una velocidad más baja de las cuchillas y no acelere la velocidad de las cuchillas hasta que estas giren correctamente.
	<ul style="list-style-type: none"> En climas extremadamente fríos, es posible que los motores de las cuchillas no se inicien de forma correcta debido a la protección de baja temperatura. 	<ul style="list-style-type: none"> Almacene siempre la podadora de césped en un ambiente cálido. Reinicie la podadora cuando esté caliente. No realice intentos repetidos en condiciones de frío extremo, ya que podría dañar la máquina. La temperatura de funcionamiento recomendada es de 0 °C a 40 °C (32 °F a 104 °F).
Las cuchillas de la podadora no arrancan cuando se pulsa el botón de arranque/apagado de las cuchillas (G1).	<ul style="list-style-type: none"> La cuchilla interfiere con la plataforma de corte deformada. 	<ul style="list-style-type: none"> Llame al Servicio al Cliente de Kobalt.
	<ul style="list-style-type: none"> Por razones de seguridad, las cuchillas se apagarán al presionar el botón de encendido/apagado de las cuchillas durante más de 8 segundos. 	<ul style="list-style-type: none"> Presione el botón de encendido/apagado de las cuchillas durante más de 3 segundos, pero no más de 8 segundos, para encender las cuchillas.

SOLUCIÓN DE PROBLEMAS

PROBLEMA	CAUSA	SOLUCIÓN
Las cuchillas dejan de girar durante el corte de césped.	■ La podadora está sobrecargada.	■ Eleve la altura de corte de la plataforma o reduzca la velocidad de conducción para reducir la carga de la podadora.
	■ La plataforma está obstruida con césped y escombros.	■ Limpie la plataforma y asegúrese de que las cuchillas tengan libertad de movimiento.
	■ Se sobrecalentaron los motores o la batería de la podadora.	■ Reduzca la carga de la podadora al elevar la altura de corte de la plataforma o disminuir la velocidad de las cuchillas o de conducción, y deje que los motores y la batería de la podadora se enfríen.
	■ La podadora está en modo de bajo consumo.	■ Cuando la podadora está en modo de bajo consumo, las cuchillas cambian automáticamente a velocidad de rotación baja. El operador debe dejar de trabajar y conducir hasta la zona de carga de baterías lo antes posible.
	■ Un objeto extraño golpea la podadora, lo que provoca la autoprotección del motor.	■ Pulse el botón de encendido/apagado de las cuchillas (G1) para apagar los motores de las cuchillas y, a continuación, pulse el botón de encendido/apagado de las cuchillas durante más de 3 segundos para volver a ponerlos en marcha.
	■ La podadora se mueve en reversa, y el ícono de corte en reversa (g) no está iluminado en la pantalla LCD.	■ Apague los motores de las cuchillas y reinícelos siguiendo las instrucciones del apartado “Para activar (ingresar) el corte en reversa” .
El indicador de audio continúa pitando.	■ La podadora está en modo de bajo consumo, y las cuchillas no están apagadas.	■ Presione el botón de encendido/apagado de las cuchillas (G1) para apagar los motores de las cuchillas. El indicador de audio dejará de sonar cuando se apaguen los motores de las cuchillas.
	■ La podadora deja de avanzar en una pendiente sin poner el pedal del freno de mano en la posición del freno de mano, o deja de avanzar en una superficie nivelada, el operador está fuera del asiento sin poner el pedal del freno de mano en la posición del freno de mano.	■ Ponga el pedal del freno de mano (K) en la posición de freno de mano cuando la podadora deje de funcionar.

SOLUCIÓN DE PROBLEMAS

PROBLEMA	CAUSA	SOLUCIÓN
La luz del botón de arranque/apagado sigue iluminada cuando la pantalla LCD se apaga durante más de 10 segundos.	<ul style="list-style-type: none"> La podadora no se apaga. 	<ul style="list-style-type: none"> Cargue la podadora y llame al Servicio al Cliente de Kobalt para su reparación inmediatamente.
La pantalla LCD no se ilumina con todos los íconos encendidos.	<ul style="list-style-type: none"> El botón de arranque/apagado (E1) se ha presionado durante menos de 3 segundos. 	<ul style="list-style-type: none"> La pantalla LCD solo mostrará el “indicador de combustible” cuando se presione brevemente el botón de arranque/apagado. La pantalla LCD se encenderá después de pisar a fondo el pedal del freno de mano (K) y presionar simultáneamente el botón de arranque/apagado (E1) durante más de 3 segundos.
	<ul style="list-style-type: none"> Cuando el ícono de la llave de seguridad (b) parpadea en la pantalla LCD, la llave de seguridad (EE) no está puesta. Cuando el ícono del freno de mano (d) parpadea en la pantalla LCD, el pedal del freno de mano (K) no está completamente presionado. 	<ul style="list-style-type: none"> Introduzca la llave de seguridad (EE), presione a fondo el pedal del freno (K) y simultáneamente presione el botón de arranque/apagado (E1) durante más de 3 segundos para prender la pantalla LCD.
La podadora corta de manera desigual, con una diferencia de altura significativa de adelante hacia atrás.	<ul style="list-style-type: none"> Las aspas están desafiladas. 	<ul style="list-style-type: none"> Afile o reemplace las cuchillas de corte como se indica en este manual.
	<ul style="list-style-type: none"> Las cuchillas están dobladas. 	<ul style="list-style-type: none"> Reemplace las cuchillas de corte dobladas siguiendo las instrucciones del apartado “REEMPLAZO DE LAS CUCHILLAS DE CORTE”.
	<ul style="list-style-type: none"> La plataforma no está nivelada, lo que da como resultado diferentes alturas de las cuchillas de corte. 	<ul style="list-style-type: none"> Nivele la plataforma siguiendo las instrucciones del apartado “NIVELACIÓN DE LA PLATAFORMA”.

SOLUCIÓN DE PROBLEMAS

PROBLEMA	CAUSA	SOLUCIÓN
La altura de corte de césped real no coincide con la altura declarada.	<ul style="list-style-type: none"> Las tuercas de la plataforma del varillaje de suspensión están flojas. 	<ul style="list-style-type: none"> Siga las instrucciones del apartado “NIVELACIÓN DE LA PLATAFORMA” para realizar el ajuste correcto de adelante hacia atrás de la plataforma de corte y apriete las cuatro tuercas en el varillaje de suspensión (dos para cada lado).
	<ul style="list-style-type: none"> La plataforma está dañada o seriamente desgastada. 	<ul style="list-style-type: none"> Siga las instrucciones del apartado “QUITAR LA PLATAFORMA” para reemplazar la plataforma de corte.
La podadora no tritura adecuadamente.	<ul style="list-style-type: none"> Los recortes de césped húmedo se pegan en el lado inferior de la plataforma. 	<ul style="list-style-type: none"> Espere a que el césped se seque antes de podar.
	<ul style="list-style-type: none"> La podadora está configurada para cortar una gran cantidad de césped de una sola vez. 	<ul style="list-style-type: none"> Aumente la altura de corte de la plataforma.
Vibración excesiva.	<ul style="list-style-type: none"> Las cuchillas de corte están sueltas. 	<ul style="list-style-type: none"> Apriete el perno de la cuchilla al par recomendado de 36 a 41 pies-libras (50-55 Nm).
	<ul style="list-style-type: none"> Las cuchillas están dobladas. 	<ul style="list-style-type: none"> Reemplace las cuchillas de corte dobladas siguiendo las instrucciones del apartado “REEMPLAZO DE LAS CUCHILLAS DE CORTE”.
	<ul style="list-style-type: none"> La plataforma no está nivelada. 	<ul style="list-style-type: none"> Nivele la plataforma de la podadora siguiendo las instrucciones del apartado “NIVELACIÓN DE LA PLATAFORMA”.
	<ul style="list-style-type: none"> Las tuercas de la plataforma del varillaje de suspensión están flojas. 	<ul style="list-style-type: none"> Utilice una llave española de 18 mm (23/32 pulg.) (no incluida) para apretar las cuatro tuercas del varillaje de suspensión (dos para cada lado).
	<ul style="list-style-type: none"> La plataforma está configurada para cortar una gran cantidad de césped de una sola vez. 	<ul style="list-style-type: none"> Aumente la altura de corte de la plataforma.

SOLUCIÓN DE PROBLEMAS

PROBLEMA	CAUSA	SOLUCIÓN
Queda césped o escombros en el suelo después de cortar el césped.	<ul style="list-style-type: none"> La plataforma está configurada para cortar demasiado césped a la vez cuando el césped está alto. 	<ul style="list-style-type: none"> Comience con una altura de corte alta y redúzcala hasta lograr el resultado de corte deseado. El césped de más de 152 mm (6 pulg.) de alto se debe cortar dos veces, a alturas de corte sucesivamente más bajas.
	<ul style="list-style-type: none"> El césped está mojado. 	<ul style="list-style-type: none"> No corte cuando el césped esté mojado. Espere hasta que el césped se seque.
	<ul style="list-style-type: none"> La velocidad de conducción es alta. 	<ul style="list-style-type: none"> Reduzca la velocidad de conducción.
	<ul style="list-style-type: none"> La velocidad de las cuchillas es baja. 	<ul style="list-style-type: none"> Aumente gradualmente la velocidad de las cuchillas.
Corto tiempo de funcionamiento de la podadora.	<ul style="list-style-type: none"> El terreno del césped, las condiciones del césped, el ajuste de la altura de corte, la velocidad de conducción, la velocidad de las cuchillas, etc. afectarán en gran medida el tiempo de funcionamiento. 	<ul style="list-style-type: none"> Consulte el capítulo “Consejos para aumentar el tiempo de funcionamiento” para obtener instrucciones.
La podadora no avanza en línea recta.	<ul style="list-style-type: none"> La presión de los neumáticos de las ruedas de la izquierda y la derecha son diferentes. 	<ul style="list-style-type: none"> Verifique y ajuste la presión de aire en los neumáticos de las ruedas delanteras y traseras, de acuerdo con la sección “COMPROBAR LA PRESIÓN DE LOS NEUMÁTICOS” de este manual.
	<ul style="list-style-type: none"> El volante no está instalado correctamente. 	<ul style="list-style-type: none"> Verifique y asegúrese de que el volante esté instalado correctamente de acuerdo con la sección “Instalación del asiento” de este manual.
El pedal del freno de mano no puede soltarse de la posición de frenado o tarda en retroceder.	<ul style="list-style-type: none"> La trayectoria de desplazamiento del pedal del freno de mano (K) está obstruida con residuos. 	<ul style="list-style-type: none"> Revise y retire la suciedad.






SOLUCIÓN DE PROBLEMAS

PROBLEMA	CAUSA	SOLUCIÓN
La podadora no se puede cargar a través del puerto de carga.	<ul style="list-style-type: none"> El enchufe del cargador no está insertado correctamente en el puerto de carga (J) de la podadora. 	<ul style="list-style-type: none"> Vuelva a conectar el enchufe del cargador para ver si la podadora se puede cargar normalmente.
	<ul style="list-style-type: none"> No hay electricidad en los enchufes de la pared. 	<ul style="list-style-type: none"> No es necesaria ninguna acción. Espera a que se recupere la corriente.
	<ul style="list-style-type: none"> Mal funcionamiento del cargador. 	<ul style="list-style-type: none"> Comuníquese con el Servicio al Cliente de Kobalt y haga que un técnico de servicio calificado inspeccione o repare el cargador, si es necesario.
	<ul style="list-style-type: none"> El puerto de carga (J) de la podadora está defectuoso. 	<ul style="list-style-type: none"> Comuníquese con el Servicio al Cliente de Kobalt y haga que un técnico de servicio calificado realice las reparaciones.
La podadora no se puede arrancar después de la limpieza.	<ul style="list-style-type: none"> Limpieza inadecuada, como que entre agua en los componentes eléctricos, en la pantalla LCD, etc. 	<ul style="list-style-type: none"> Siga las instrucciones del apartado "MANTENIMIENTO GENERAL" para limpiar correctamente la podadora.
	<ul style="list-style-type: none"> La podadora quedó atrapada accidentalmente bajo la lluvia. 	<ul style="list-style-type: none"> Deje secar la podadora durante más de 12 horas o utilice aire comprimido para secarla.
La plataforma se obstruye rápidamente.	<ul style="list-style-type: none"> La plataforma no se limpió adecuadamente después de un uso anterior. 	<ul style="list-style-type: none"> Limpie la plataforma de corte después de cada uso, siguiendo la sección "Uso del puerto de lavado para limpiar la plataforma".
La podadora pierde tracción fácilmente al subir una pendiente.	<ul style="list-style-type: none"> Los neumáticos de las ruedas traseras están desgastados. 	<ul style="list-style-type: none"> Comuníquese con el Servicio al Cliente de Kobalt y haga que un técnico de servicio calificado sustituya las ruedas/neumáticos.
	<ul style="list-style-type: none"> Cortar en una pendiente pronunciada. 	<ul style="list-style-type: none"> La podadora no debe utilizarse para cortar en pendientes de más de 15 grados.
Cuando la podadora se detiene en una pendiente con el pedal del freno de mano (K) puesto, la podadora puede rodar pendiente abajo.	<ul style="list-style-type: none"> Los componentes del freno están muy desgastados debido a un funcionamiento inadecuado de la podadora. 	<ul style="list-style-type: none"> Comuníquese con el Servicio al Cliente de Kobalt y haga que un técnico de servicio calificado realice las reparaciones.



SOLUCIÓN DE PROBLEMAS

PROBLEMA	CAUSA	SOLUCIÓN
No sale agua del puerto de lavado cuando se intenta lavar la plataforma.	<ul style="list-style-type: none"> El acoplador rápido del puerto de lavado (FF) no está montado correctamente en el puerto de lavado. 	<ul style="list-style-type: none"> Vuelva a conectar el acoplador rápido del puerto de lavado (FF) hasta que escuche un “clic” claro después de empujar firmemente. Si eso no resuelve el problema, comuníquese con el Servicio al Cliente de Kobalt.
Se escucha un sonido anormal al empujar manualmente la podadora sin arrancarla.	<ul style="list-style-type: none"> El sonido proviene de los imanes dentro del motor impulsor. 	<ul style="list-style-type: none"> Es normal y no es necesario realizar ninguna acción.
El volante (V) no se puede girar.	<ul style="list-style-type: none"> El conjunto del volante está obstruido con escombros. 	<ul style="list-style-type: none"> Revise y retire la suciedad.
La podadora no gira hacia la izquierda o hacia la derecha cuando se gira el volante (V).	<ul style="list-style-type: none"> Fallo de componentes electrónicos o mecánicos. 	<ul style="list-style-type: none"> Comuníquese con el Servicio al Cliente de Kobalt y haga que un técnico de servicio calificado realice las reparaciones.
La podadora no se detiene al soltar el pedal del acelerador (Q).	<ul style="list-style-type: none"> La trayectoria de retorno del pedal del acelerador (Q) está obstruida con residuos. 	<ul style="list-style-type: none"> Revise y retire la suciedad.
	<ul style="list-style-type: none"> El botón CCS (J1) se presiona de forma involuntaria mientras se conduce. La podadora está en modo de control de crucero. 	<ul style="list-style-type: none"> Verifique si el ícono CCS (a) está iluminado en la pantalla LCD y salga del CCS según sea necesario. Consulte el capítulo “Uso del control de crucero (CCS)”.
La función CCS no se puede activar ni desactivar.	<ul style="list-style-type: none"> El botón CCS (J1) no está presionado correctamente. 	<ul style="list-style-type: none"> Presione el botón CCS (J1) hasta que el ícono CCS (a) se ilumine en la pantalla LCD o desaparezca de ella.
	<ul style="list-style-type: none"> La velocidad de conducción es demasiado baja para activar la función CCS. 	<ul style="list-style-type: none"> Aumente la velocidad de conducción y active nuevamente la función CCS.



ÍCONOS Y CÓDIGOS DE FALLA EN LA PANTALLA LCD

Pantalla LCD	Descripción	Indicador de audio	Causa	Solución
	El indicador de combustible (q) se ilumina en la pantalla LCD.	No	Indica la carga de la batería de la podadora.	Esto es normal. No es necesaria ninguna acción.
	El contador de horas (o) se ilumina en la pantalla LCD.	No	Muestra el tiempo total de conducción de la podadora en horas y no se puede restablecer.	Esto es normal. No es necesaria ninguna acción.
	El ícono de los faros LED (e) se ilumina en la pantalla LCD.	No	Los faros se encienden mediante el interruptor de faros LED.	Esto es normal. No es necesaria ninguna acción.
	El ícono "Cuchillas encendidas" (f) se ilumina en la pantalla LCD.	No	Las cuchillas se encienden tras pulsar el botón de encendido/apagado de cuchillas (G1) durante más de 3 segundos.	Esto es normal. No es necesaria ninguna acción.
	El ícono "Cuchillas encendidas" (f) parpadea en la pantalla LCD.	No	Las cuchillas no se encendieron tras pulsar el botón de encendido/apagado de cuchillas (G1) durante más de 3 segundos. Se interrumpe el funcionamiento de las cuchillas.	Compruebe si la podadora está sobrecargada o si la carga de la batería es baja. O reinicie la podadora y vuelva a encender las cuchillas. Si aún falla, comuníquese con el Servicio al Cliente de Kobalt.
	El ícono de cortar en reversa (g) se ilumina en la pantalla LCD.	No	Indica que las cuchillas se pueden encender cuando la podadora se mueve en reversa.	Esto es normal. Si es necesario, apague las cuchillas mientras conduce en reversa siguiendo la sección " Para detener (salir) del corte en reversa " en el manual.



ÍCONOS Y CÓDIGOS DE FALLA EN LA PANTALLA LCD

Pantalla LCD	Descripción	Indicador de audio	Causa	Solución
	El ícono CCS (a) se ilumina en la pantalla LCD	No	La podadora avanza a una velocidad determinada sin necesidad de pisar el pedal del acelerador.	Esto es normal. Si es necesario, apague la función CCS siguiendo la sección “Para detener (salir) del control de crucero (CCS)” en el manual.
	El ícono CCS (a) parpadea en la pantalla LCD.	No	La función CCS (sistema de control de crucero) ha fallado. Se pisa el pedal del freno de mano (K) para detener la podadora.	La función CCS no se puede configurar cuando la podadora circula a muy baja velocidad o en reversa. Después de soltar el pedal del freno de mano, presione el botón CCS y el ícono CCS se iluminará en la pantalla LCD, o salga de la función CCS siguiendo las instrucciones de la sección “Para detener (salir) del control de crucero (CCS)” .
	El ícono de la llave de seguridad (b) se ilumina en la pantalla LCD.	No	La llave de seguridad (EE) está insertada correctamente.	Esto es normal. No es necesaria ninguna acción.
	El ícono de la llave de seguridad (b) parpadea cuando la pantalla LCD muestra el “indicador de combustible”.		La llave de seguridad (EE) no está insertada.	Introduzca la llave de seguridad (EE), pise a fondo el pedal del freno de mano y pulse simultáneamente el botón de arranque/apagado (E1) durante más de 3 segundos para encender la podadora.
			El panel de control de la llave de seguridad está dañado.	Comuníquese con el Servicio al Cliente de Kobalt y haga que un técnico de servicio calificado realice las reparaciones.

ÍCONOS Y CÓDIGOS DE FALLA EN LA PANTALLA LCD

Pantalla LCD	Descripción	Indicador de audio	Causa	Solución
	El ícono del freno de mano (d) se ilumina en la pantalla LCD.	No	El pedal del freno de mano (K) está puesto en la posición de freno de mano.	Suéltelo antes de arrancar la podadora.
	El ícono del freno de mano (d) parpadea cuando la pantalla LCD muestra el “indicador de combustible”.	No	El pedal del freno de mano (K) no está pisado.	Con la llave de seguridad (EE) puesta, pise a fondo el pedal del freno de mano y pulse simultáneamente el botón de arranque/apagado (E1) durante más de 3 segundos para encender la podadora.
	El ícono del freno de mano (d) parpadea cuando la pantalla LCD muestra la interfaz del operador.	No	El operador abandona el asiento y, luego, vuelve a sentarse para presionar el pedal del acelerador para conducir la podadora de césped.	Pise a fondo el pedal del freno de mano (K) y, luego, suéltelo. Luego, presione el pedal del acelerador (Q) para conducir la podadora.
		Sigue pitando	El pedal del freno de mano no está puesto en la posición de freno de mano.	El ícono del freno de mano (d) se iluminará en la pantalla LCD, y el indicador de audio dejará de emitir un pitido tan pronto como el pedal del freno (K) se coloque en la posición de freno de mano.
	El ícono del sensor del asiento (c) se ilumina en la pantalla LCD.	No	El operador abandona el asiento o se desconecta el sistema de bloqueo de seguridad del asiento.	Si el operador está sentado en el asiento y el ícono está encendido, deje de operar la podadora de césped inmediatamente y verifique la conexión del asiento. Si se confirma la conexión del asiento con la podadora, comuníquese con el Servicio al Cliente de Kobalt y haga que un técnico de servicio calificado realice las reparaciones.




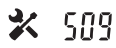
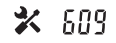
ÍCONOS Y CÓDIGOS DE FALLA EN LA PANTALLA LCD

Pantalla LCD	Descripción	Indicador de audio	Causa	Solución
	El ícono de temperatura (j) parpadea en la pantalla LCD.	Un pitido	Se sobrecalentaron los motores o la batería de la podadora.	Reduzca la carga de la podadora al elevar la altura de corte de la plataforma o disminuir la velocidad de las cuchillas/conducción. Tómese un descanso y deje que se enfríen los motores y la batería de la podadora.
			Los motores o la batería de la podadora están muy fríos.	No realice intentos repetidos que puedan dañar la máquina. Almacene siempre la podadora de césped en un ambiente cálido. Reinicie la podadora cuando esté caliente.
	El ícono de alerta (i) parpadea en la pantalla LCD.	Un pitido	Los motores de las cuchillas están sobrecargados.	Eleve la altura de corte de la plataforma o reduzca la velocidad de conducción para reducir la carga de la podadora.
			El conducto de descarga lateral está obstruido con césped y escombros.	Limpie el conducto de descarga lateral después de cada uso.
			Hay una interferencia entre la cuchilla y la plataforma de corte.	Póngase en contacto con el Servicio al Cliente de Kobalt.
			El motor está sobrecargado.	Verifique y asegúrese de que las ruedas giren libremente.

ÍCONOS Y CÓDIGOS DE FALLA EN LA PANTALLA LCD

Pantalla LCD	Descripción	Indicador de audio	Causa	Solución
Lo	El mensaje de batería baja parpadea en la pantalla LCD.	Sigue pitando hasta que se apagan las cuchillas presionando el botón de encendido/apagado de las cuchillas (G1).	La batería tiene poca carga, y la podadora está en modo de bajo consumo.	Deje de trabajar y regrese a la zona de carga de batería. NOTA: Cuando la podadora está en modo de bajo consumo, las cuchillas cambian automáticamente a velocidad de rotación baja y, mientras tanto, el indicador de audio seguirá emitiendo un pitido. El operador debe presionar el botón de encendido/apagado de las cuchillas de nuevo para apagar los motores de las cuchillas. El indicador de audio dejará de pitar después de que las cuchillas se detengan.
		Sigue pitando	La batería está casi agotada.	La podadora dejará de funcionar inmediatamente. El operador debe transportar la podadora a la zona de carga de batería para cargarla.
D	El indicador de dirección de avance (n) se ilumina en la pantalla LCD.	No	Indica que se puede conducir la podadora o que está avanzando.	Esto es normal. Coloque la palanca de control de dirección en la posición "D", "N" o "R" según sea necesario.
R	El indicador de dirección en reversa (k) se ilumina en la pantalla LCD.	No	Indica que se puede conducir la podadora o que está en reversa.	
N	El indicador de dirección neutral (m) se ilumina en la pantalla LCD.	No	Indica que no se pudo conducir la podadora.	
Lo * 102	El mensaje de batería baja y el código de falla (r) "102" parpadean en la pantalla LCD.	Sigue pitando	La batería está agotada.	La podadora deja de funcionar. El operador debe transportar la podadora a la zona de carga de batería para cargarla.

ÍCONOS Y CÓDIGOS DE FALLA EN LA PANTALLA LCD

Pantalla LCD	Descripción	Indicador de audio	Causa	Solución
	El ícono "CHARGING" (CARGANDO) (p) y el indicador de combustible actual (q) se iluminan en la pantalla LCD.	Un pitido	Indica que la batería de la podadora está cargando.	Esto es normal. El ícono "CHARGING" (CARGANDO) desaparecerá, y el indicador de combustible mostrará 100 % cuando la podadora esté completamente cargada.
	El ícono "CHARGING" (CARGANDO) (p) y el ícono de temperatura (j) parpadean en la pantalla LCD.	No	La batería de la podadora se sobrecalienta o está demasiado fría durante la carga.	Espere hasta que la batería vuelva a la temperatura normal. Luego, la carga comenzará automáticamente.
	El ícono "CHARGING" (CARGANDO) (p) parpadea en la pantalla LCD.	No	No se está cargando correctamente la podadora. Falla en el cargador.	Cargue la podadora de césped solo con el cargador especificado. Compruebe si la autoinspección del cargador puede activarse al volver a enchufar el cargador o al conectarlo a otro tomacorriente. Si aún falla, comuníquese con Servicio al Cliente de Kobalt.
	El código de falla (r) "509" parpadea en la pantalla LCD.	Un pitido	El motor de la cuchilla izquierda falla al girar.	Inspeccione la cuchilla primero. Si está floja, utilice una llave dinamométrica de 14 mm (9/16 pulg.) (no incluida) para apretar el perno en el sentido de las manecillas del reloj. El torque recomendado para la tuerca de la cuchilla es de 36 a 41 pies-libras (50-55 Nm). De lo contrario, comuníquese con el centro de Servicio al Cliente y haga que un técnico de servicio calificado realice las reparaciones.
	El código de falla (r) "609" parpadea en la pantalla LCD.	Un pitido	El motor de la cuchilla derecha falla al girar.	

NOTA: Para cualquier otro código de falla (r) que aparezca en la pantalla LCD, que pueda indicar falla de PCBA, conexión suelta, falla del motor impulsor, motores de cuchillas, etc., retire la llave de seguridad y vuelva a insertarla unos minutos más tarde para reiniciar la podadora. Si no se soluciona el problema, comuníquese con el Servicio al Cliente de Kobalt y haga que un técnico de servicio calificado realice las reparaciones.

LISTA DE ACCESORIOS

PIEZA	NÚMERO DEL MODELO	NÚMERO DE ARTÍCULO
Kit de cuchillas de descarga (x2)	KLMDDB 1052-03	6505203
Kit de cuchillas de embolsado (x2)	KLMB 1052-03	6505204
Clavija para compuesto orgánico	KLMP 1052-03	6505202
Kit de embolsadora para césped con montaje de accesorios posterior	KLMB 1052-03	6505201

GARANTÍA

La herramienta cuenta con una garantía contra defectos de fabricación en los materiales y la mano de obra por 5 años a partir de la fecha de compra para el comprador original. Esta garantía no cubre daños debidos al mal uso, desgaste normal, mantenimiento inadecuado, negligencia, reparaciones o alteraciones no autorizadas o piezas y accesorios prescindibles que se espera que resulten inutilizables después de un período de uso razonable. La vigencia de esta garantía se limita a 90 días para el uso comercial y de alquiler.

Si considera que el producto cumple con los términos de garantía mencionados arriba, devuélvalo al lugar donde lo compró con un comprobante de compra válido y el producto defectuoso se reparará o reemplazará sin cargo. Esta garantía le otorga derechos legales específicos, pero también podría tener otros derechos que varían según el estado.

Lowe's Home Centers LLC.
MOORESVILLE, NC 28117
Impreso en China

