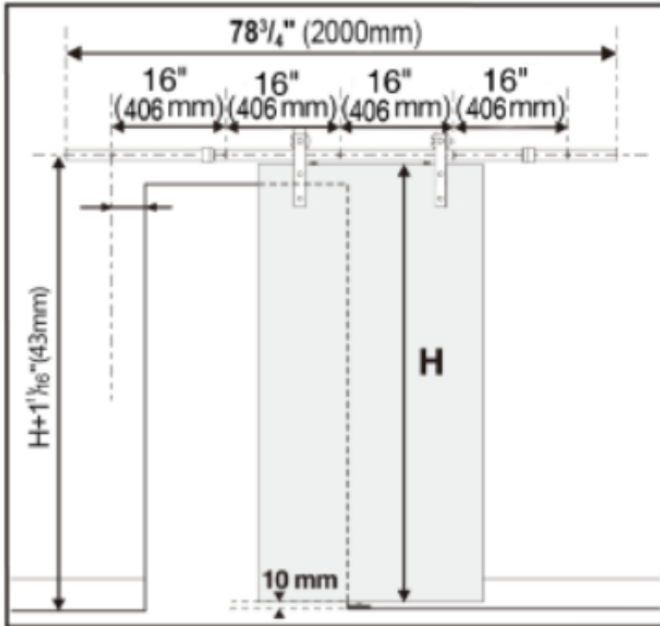


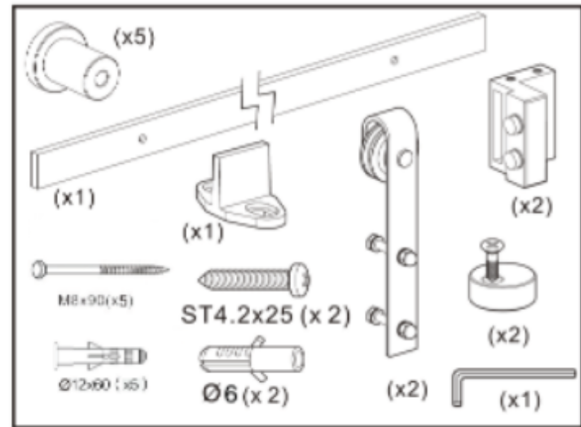
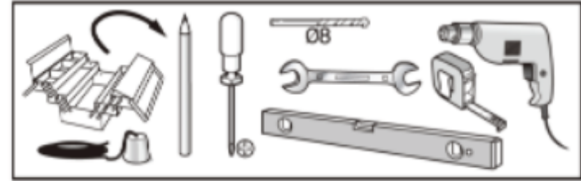
# DURA-LIFT®

## DOOR HARDWARE

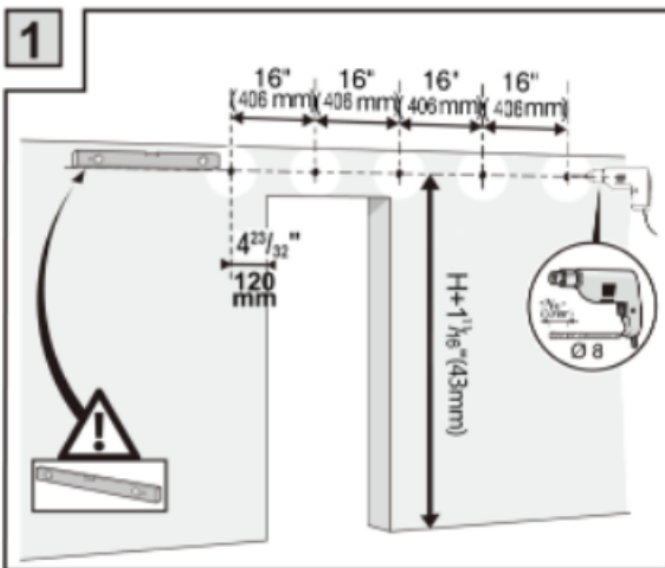
# BARN DOOR SINGLE INSTALLATION INSTRUCTIONS



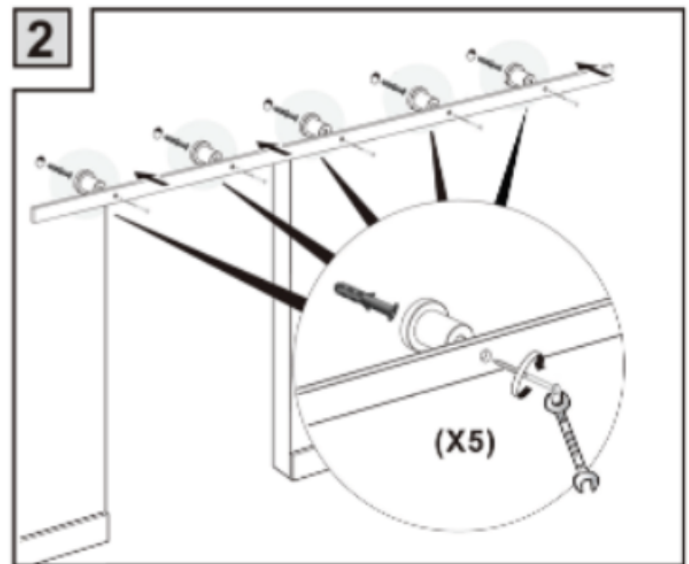
Minimum door overlap on guide is 4-3/4". To obtain maximum weight capacity, all fasteners must be mounted into solid wood studs or wall blocking or mounted to a header board.



Consult a structural engineer if you have questions about what type of wall blocking is required.



Find the centerline of the track. Using a level, mark a horizontal line twice the door width long. Mark the bracket screw locations into the wall blocking. Attach the wall portion of the brackets as shown.

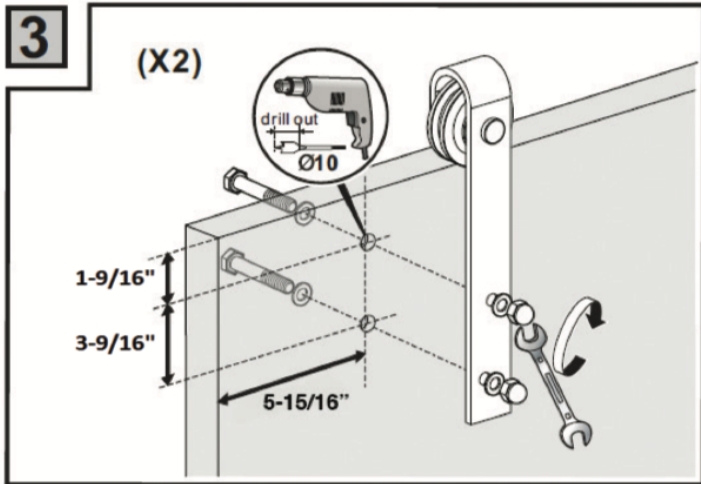


Attach the rail to the wall brackets using a wrench to fasten the bolts as shown.

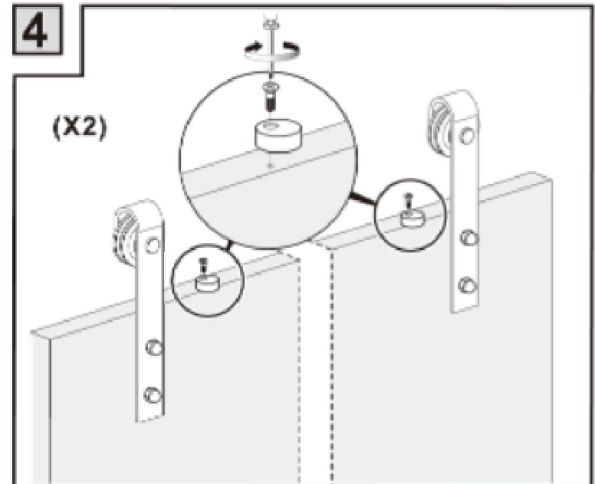
# DURA-LIFT<sup>®</sup>

## DOOR HARDWARE

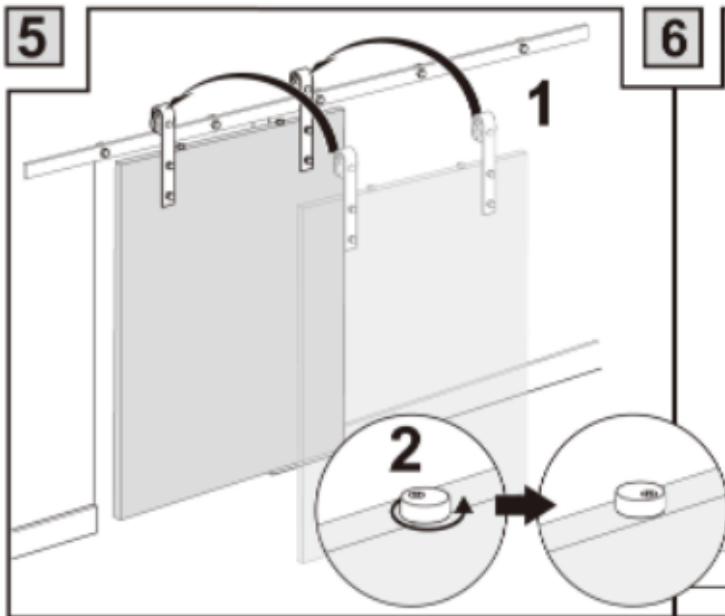
# BARN DOOR SINGLE INSTALLATION INSTRUCTIONS



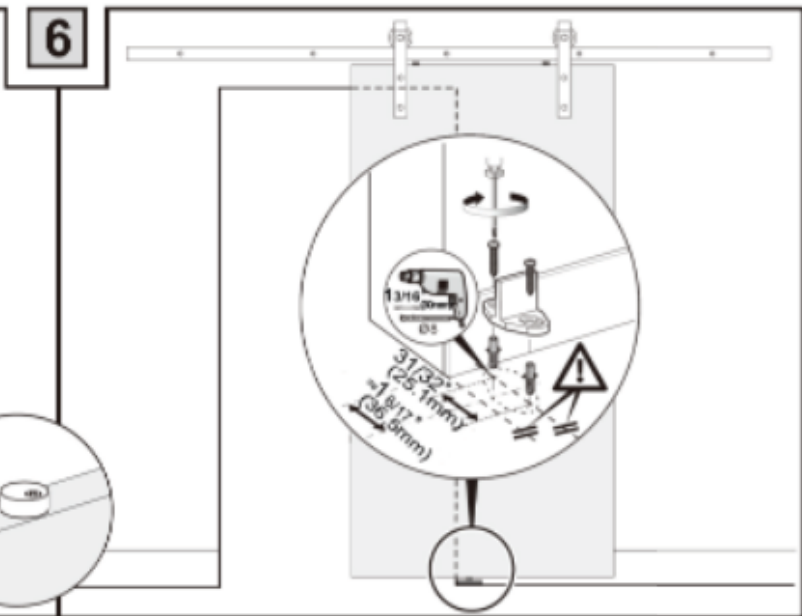
Drill out holes in the door using a 10mm routing drill bit as pictured.



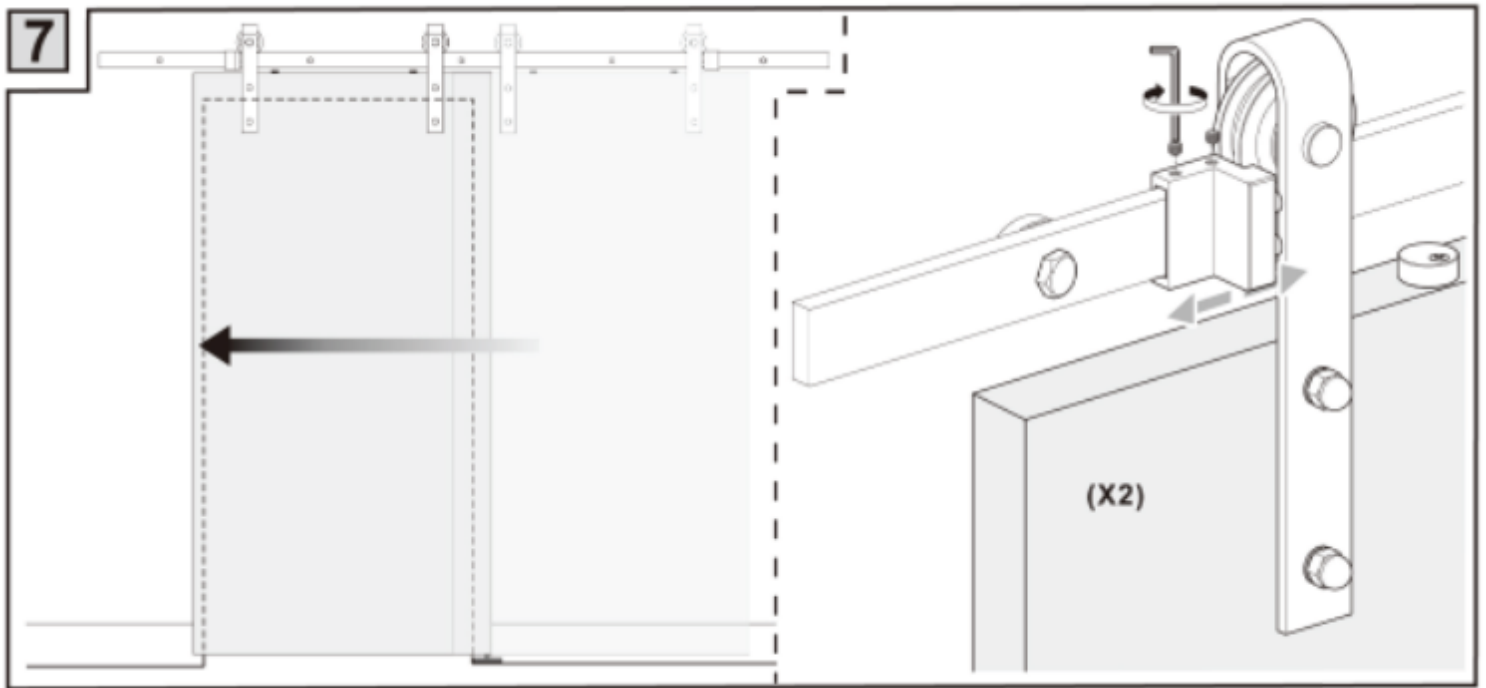
Attach the anti-jump disks to the tops of the door.



Attach the doors to the rails making sure that the anti-jump disks are engaged to avoid a serious accident.



Plumb the door and mark the positions of the floor guides. Mount the floor guides to the floor.



Adjust the door stops accordingly.