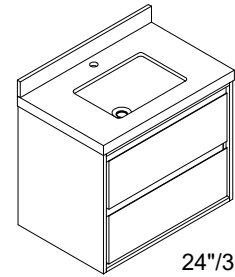
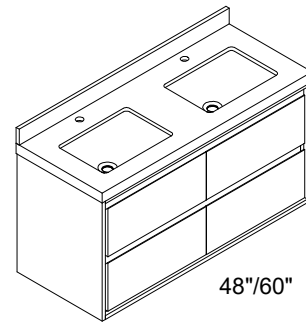


Bathroom Vanity

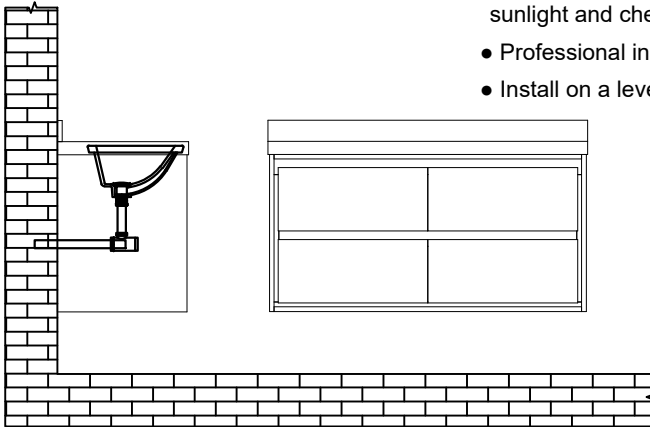
- Prior to installation please check received items against the "Packing List". Please report any missing items to your retailer immediately.
- Protect all surfaces from sharp objects, high heat sources, direct prolonged sunlight and chemical hazards.
- Professional installation recommended.
- Install on a level surface



24"/30"/36"

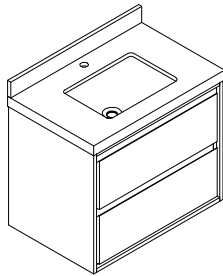


48"/60"

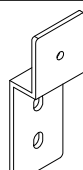





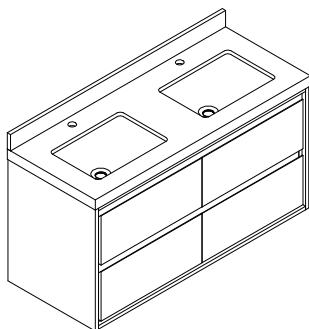
PACKING LIST

(Not all components may be included, depending upon your purchase)



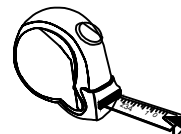
(24" and 30" and 36" Main Cabinet /1+Counter /1+Back Splash/1 + Sink/1)

| ITEM | Leveling Bracket | Screws #5*60 | Screws #4*16 | Anchors |
|---------------|---|---|---|---|
| 24"/30" QTY | 2 | 4 | 2 | 4 |
| 36"/48DBL QTY | 3 | 6 | 3 | 6 |
| 60DBL QTY | 4 | 8 | 4 | 8 |
| |  |  |  |  |

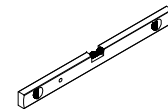


(48" and 60" Main Cabinet /1+Counter/1 +Back Splash/1 + Sink/2)

REQUIRED TOOLS NOT IN BOX



Tape measure



Spirit Level



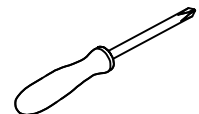
Pencil



Electric Drill



Silicone sealant

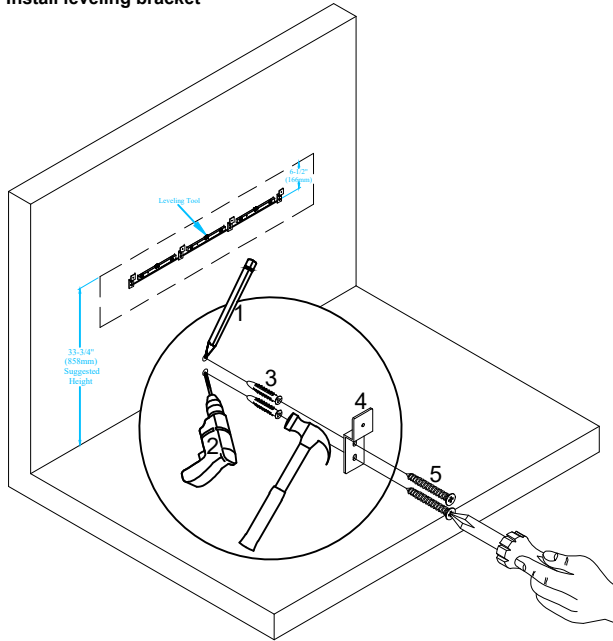


Phillips Screwdriver

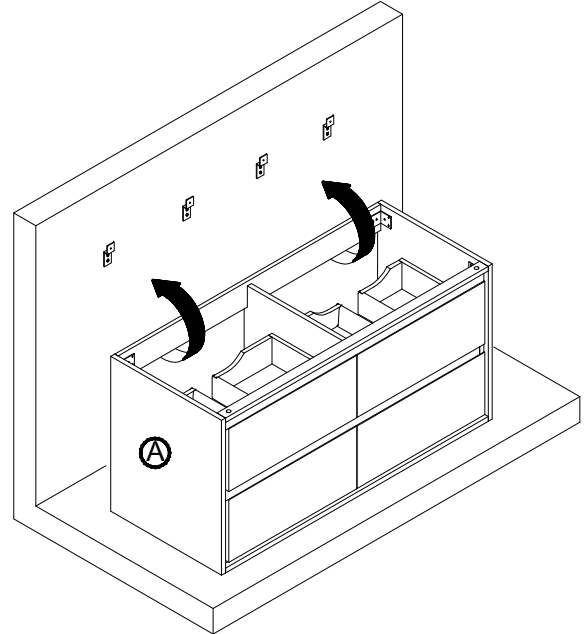
YD01
Installation Guide

Bathroom Vanity

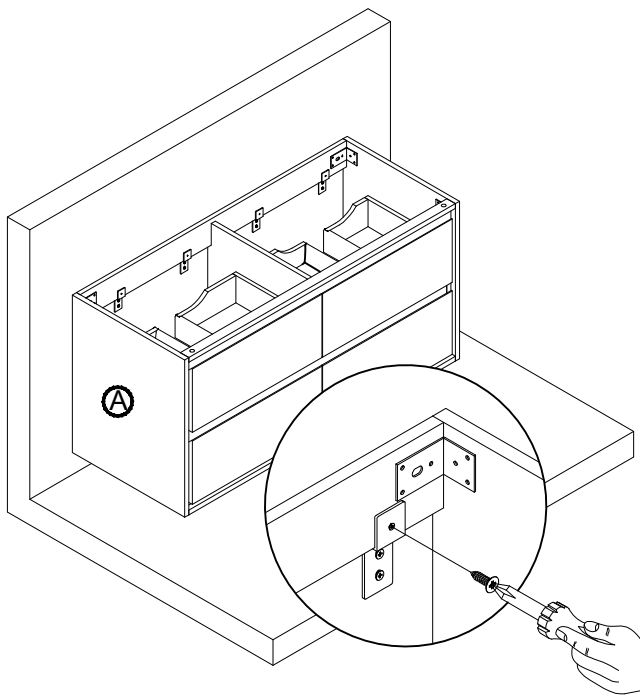
1. Install leveling bracket



2. Leveling brackets are only to level the vanity. They are not designed for permanent support. Cabinet needs to be secured to wood backing material.



3. Secure vanity to wood reinforcement backing



4. Install the counter. Seal around the top of the cabinet with clear silicone sealant. Do not over apply. Allow to dry 24 hours for proper curing.

