



## LIMITED LIFETIME WARRANTY

Compass Manufacturing International warrants to the original consumer purchaser that the faucet be free from defects in material and workmanship for as long as the original consumer purchaser owns the home in which the faucet was first installed.

In the event that Freendo faucets are used in a Commercial Application, this warranty is limited for a period of 5 years, unless otherwise specifically stated in the catalog and/or price book.

Compass Manufacturing International will replace, free of charge, during the applicable warranty period, any part or finish that proves defective in material and/or workmanship under normal installation, use and service. This warranty shall not apply to goods which have been subject to accidents, negligence or improper installation. Compass Manufacturing International will not be liable for other damages or losses, including, but not limited to: labor charges and/or damages incurred in installation, repair or replacement as well as any other kind of loss or damage. Proof of purchase from the original consumer purchaser must be made available for all warranty claims.

Compass Manufacturing International recommends using a professional plumber for all installation and repair. Compass Manufacturing International will, at its discretion, provide new or equivalent replacement parts for any product that proves to be defective under normal usage and service. Replacement parts may be obtained by emailing the address below, calling the number below or by writing to:

### Compass Manufacturing International

Freendo Product Service

6702 Enterprise Drive

Louisville, KY 40214

800.626.3525

[warranty@cmiproduct.com](mailto:warranty@cmiproduct.com)

Revised 10/16/19

[warranty@cmiproduct.com](mailto:warranty@cmiproduct.com)

© Compass Manufacturing International

800.626.3525



Model No. : 192-6404 Polished Chrome  
192-6405 Brushed Nickel *Spotless PVD*<sup>™</sup>  
192-6406 Oil-Rubbed Bronze



## Cardania Wide Spread Bathroom Faucet with Pop-Up

3 Hole Installation, 6" -10" Center-Set



## Helpful Information

### Helpful Tools

#### Tools:

Gather the necessary tools as shown below to complete the installation of this faucet. Some may not be needed depending on the model of faucet you are installing.



Plumber's Putty  
and/or Silicone



Flashlight



Basin Wrench



Safety Glasses



Screwdriver



Pliers



Channel Locks



Adjustable Wrench

## Maintenance

Your new faucet is designed for years of trouble-free performance. Keep it looking new by cleaning it periodically with a soft, damp cloth. Avoid abrasive cleaners, steel wool and harsh chemicals as these will dull the finish and void your warranty.

## Safety Tips

- If you use solder for the installation of this faucet, please remove the seats, cartridges and washers before soldering. Otherwise the warranty will be voided on these parts.
- Protect your eyes with safety glasses when cutting or soldering water supply line.
- Cover your drain to avoid losing parts.

## Important Points

Prior to beginning installation, turn off the cold and hot water lines and turn on the old faucet to release built-up pressure. When installing your new faucet, turn the connector nuts finger tight, then use a wrench to anchor the fitting and a second wrench to tighten the nut one additional turn. Connections that are too tight can compromise the integrity of the system. Wrap all threaded connections with teflon tape. Always wrap in a clockwise direction.

## 5

## Troubleshooting

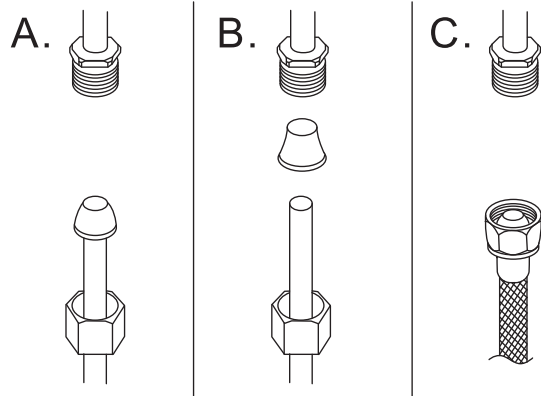
If the instructions were followed carefully and the faucet does not work properly, try these corrective steps.

Problem	Cause	Action
Leaks underneath the handle (#1).	Lock nut (#5) has come loose.	Turn off the water supplies. Remove the handle (#1) and tighten the lock nut (#5). Reinstall the handle (#1).
The water will not shut off completely.	Dirty or damaged cartridge (#8 or #29).	Turn off the water supplies. Remove the handle (#1), lock nut (#5) and cartridge (#8 or #29). Check the ceramic disk for dirt and damage. If the cartridge (#8 or #29) is dirty, soak it in warm white vinegar for 4 hours. Every 30 minutes, while the cartridge (#8 or #29) is completely submerged, turn the stem on and off 10 times. If the cartridge is damaged, replace the cartridge (#8 or #29). Reinstall the cartridge (#8 or #29), lock nut (#5) and the handle (#1).
The aerator (#19) leaks or has an inconsistent water flow pattern.	Aerator (#19) is dirty or misaligned.	Remove the aerator (#19) using the aerator wrench (#30) and check the rubber packing. If the rubber packing is misaligned, realign the rubber packing and reinstall. If the aerator (#19) is dirty rinse with warm water. Reinstall or replace the aerator (#19).

Have a question? DON'T GO BACK TO THE STORE, WE CAN HELP, just call 1-800-626-3525 ,8 a.m. to 5 p.m. EST Monday-Friday, or send an email to [Help@cmiproduct.com](mailto:Help@cmiproduct.com).

# 4

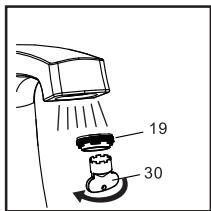
## Configuration



**Warning:**  
The supply valves and supply lines are not included.

Connect to water supply lines with either:

- (A) 3/8" O.D. Copper tubing (ball nose risers with the coupling nuts or;
- (B) 3/8" Copper tubing (no ball) with supplied tube head interior connector or;
- (C) IPS faucet connectors (1/2")



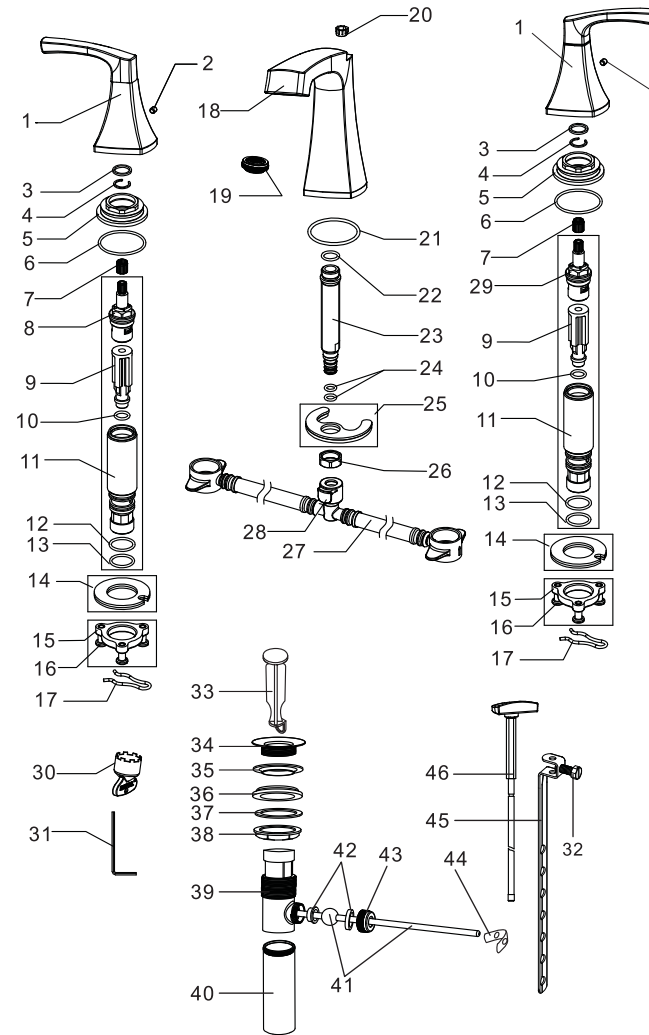
### Important:

Remove the aerator (#19), using the aerator wrench (#30) provided. Turn on the hot and cold water for one minute. This will flush any debris from the lines that might clog the system. Turn off the water and reinstall aerator (#19).

**Test system for leaks.**

# 1

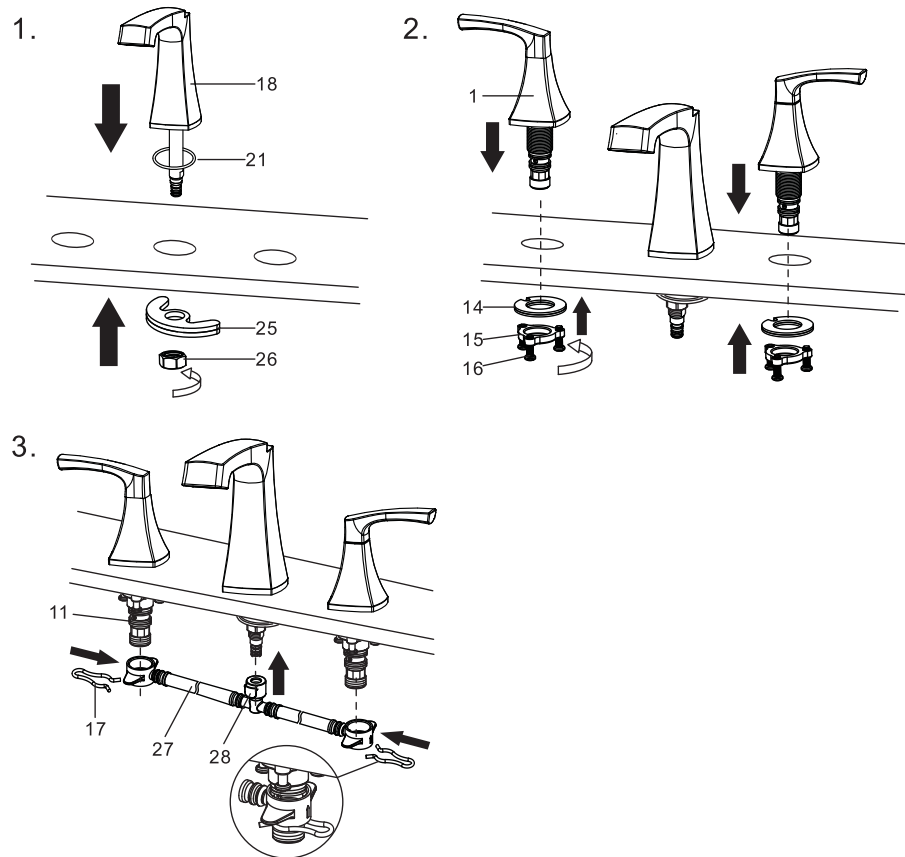
## Parts Diagram / List



No.	Part Name
1	Handle
2	Index
3	Wearing Ring
4	Clip
5	Lock Nut
6	O-ring
7	Handle Adapter
8	Cartridge (Hot)
9	Cartridge Seat
10	O-ring
11	Brass Valve Body
12	O-ring
13	O-ring
14	Clamp
15	Lock Nut
16	Screw
17	Clip
18	Spout
19	Aerator
20	Sleeve
21	O-ring
22	O-ring
23	Inlet
24	O-ring
25	Clamp
26	Lock Nut
27	Quick Connect Hose
28	Quick Connect
29	Cartridge (Cold)
30	Aerator Wrench
31	Allen Wrench
32	Lift Rod Strap Screw
33	Drain Stopper
34	Flange
35	Top Rubber Washer
36	Bottom Rubber Washer
37	Washer
38	Lock Nut
39	Drain Body
40	Tailpiece
41	Ball Rod
42	Ball Rod Gasket
43	Ball Rod Nut
44	Spring Clip
45	Lift Rod Strap
46	Lift Rod

## 2

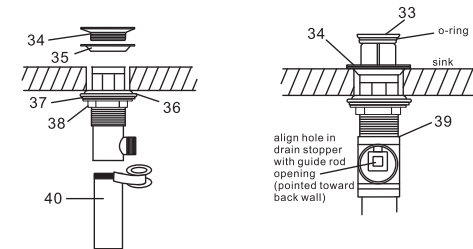
### Installation Instructions



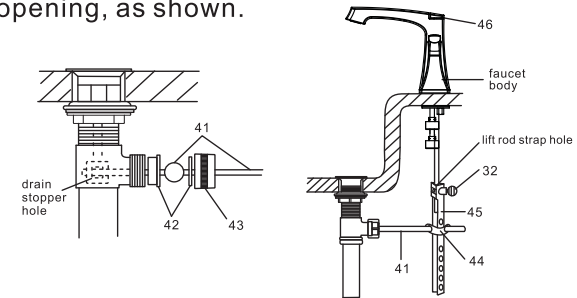
1. Verify the O-ring (#21) is in place on the spout (#18), place silicone sealant beneath the spout (#18) and insert the inlet (#23) through the center hole. From underneath, assemble the clamp (#25) and screw on the nut (#26). Tighten the nut (#26) using a basin wrench.
2. Apply silicone sealant beneath the handle (#1) and insert the brass valve body (#11) through the far left hole (hot water side). From underneath, assemble the washer (#14) and screw on the lock nut (#15). Use a screw driver to tighten the screws (#16). Repeat this step for the far right hole (cold water side). See the diagram for a visual.
3. Position the quick connect hose, as shown. Connect the quick connect (#28) to the inlet (#23). The quick connect is fully inserted when a light click or popping sound is heard. Use clip (#17) to attach the quick connect hose (#27) to the brass valve body (#11).

## 3

### Installation Instructions



4. Disassemble the drain stopper (#33), flange (#34), and top rubber washer (#35).
5. Insert the drain body (#39) into the drain hole from under the sink. Reinstall the flange (#34) and top rubber washer (#35) to the drain body (#39) and hand tighten.
6. From under the sink, install the bottom rubber washer (#36), washer (#37) and tighten the lock nut (#38) until firmly against the sink base.
7. Disassemble the tailpiece (#40) from the drain body (#39) and apply teflon tape clockwise. Reinstall the tailpiece (#40) to the drain body (#39).
8. Reinstall the drain stopper (#33) into the drain body (#39). Ensure the O-ring is in place on the stopper and align the stopper hole with the guide rod opening, as shown.



9. Remove ball nut (#43) and ball rod gasket (#42) from the ball rod (#41). Insert ball rod (#41) into the drain body (#39) and the hole in the drain stopper (#33). Reinstall the ball rod gasket (#42) and ball nut (#43).
10. Insert lift rod (#46) through hole on faucet body. Connect ball rod (#41) to lift rod strap (#45) using spring clip (#44) to hold and adjust.
11. Attach lift rod strap (#45) to the lift rod (#46) by inserting the lift rod (#46) through the lift rod strap (#45) hole. Adjust the lift rod (#46) to the correct height and hand tighten lift rod strap screw (#32).