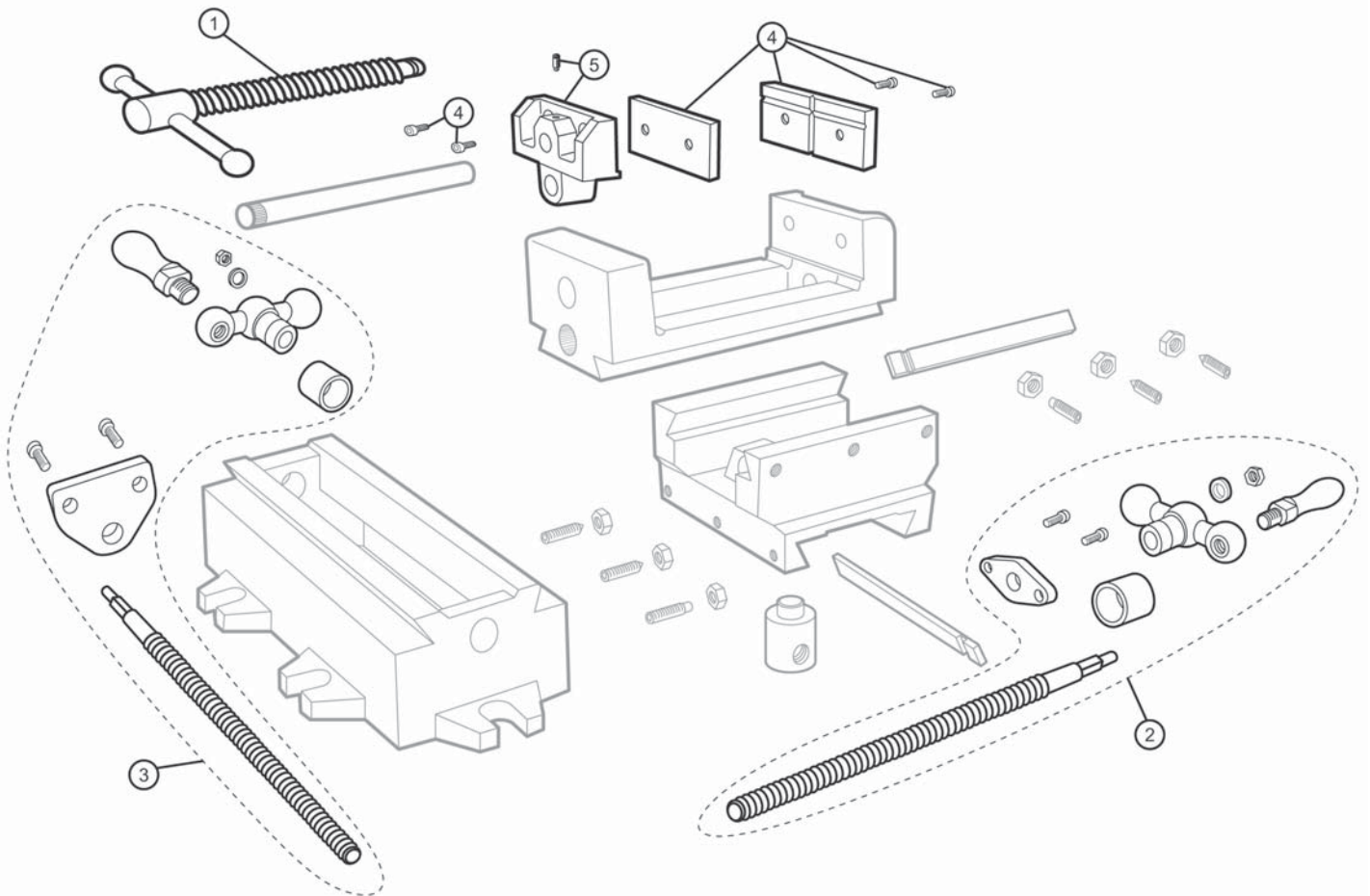




8" Cross Slide Drill Press Vise - Parts Diagram

8"Jaw Width, 8"Jaw Opening, 2" Jaw Depth

Stock #: 11698 Model #: CS8



#	Part	Description
1	11698-01	Handle & Spindle Assembly - 1
2	11698-02	Handle & Spindle Assembly - 2
3	11698-03	Handle & Spindle Assembly - 3
4	11698-04	Jaw Insert Assembly
5	11698-05	Moveable Jaw with Screw

⚠ WARNING: This product can expose you to chemicals including lead which is known to the State of California to cause cancer and birth defects or other reproductive harm, and phthalates which are known to the State of California to cause birth defects or other reproductive harm. For more information go to <http://www.p65warnings.ca.gov>.

WILTON

427 New Sanford Road
 LaVergne, Tennessee 37086
 Ph.: 800-274-6848
www.wilontools.com

Part No. M-11698

Revision C 08/2018

Copyright © 2014 WILTON, a Division of JPW Industries, Inc.