

# Instruction Manual

## Rain Shower System



Model:6609



Model:6612



Model:6202

◆ INSTALLATION CONDITION



1. Refer to the 《Standard Part List》 when unpacking ,  
check all parts available .

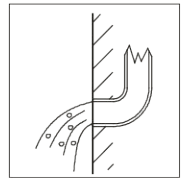
2. Do not disassemble mixer body by yourself.

3. Connect inlet hoses to supply valves.

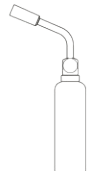
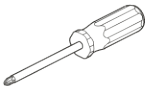
4. Make sure inlet pipes and supply valves have been  
installed and cleaned, also ensure no impurities in  
pipeline.

5. After installation , check all joints for leakages.

6. Suggest don't fit the faucet in the severely corrosive environments.

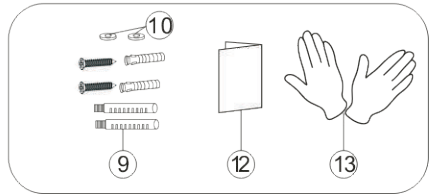
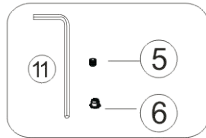
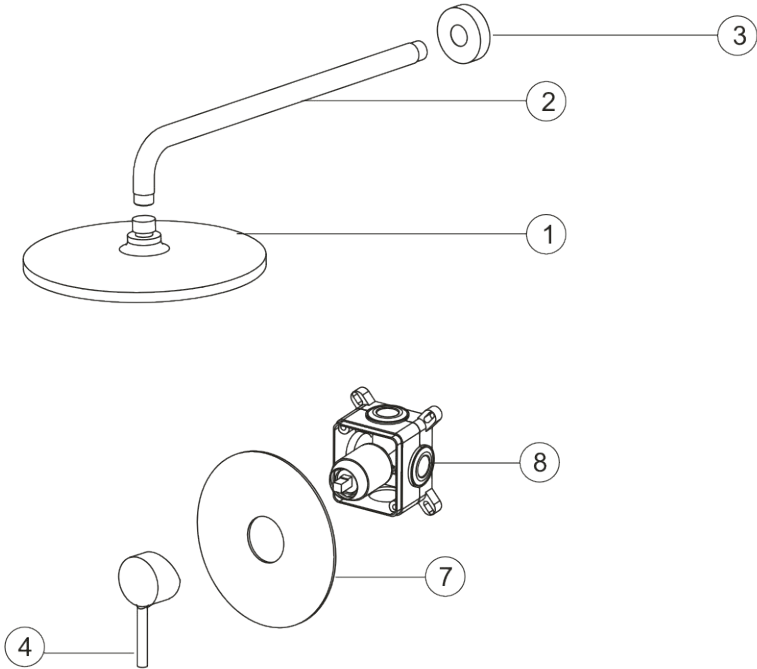


**YOU MAY NEED:**



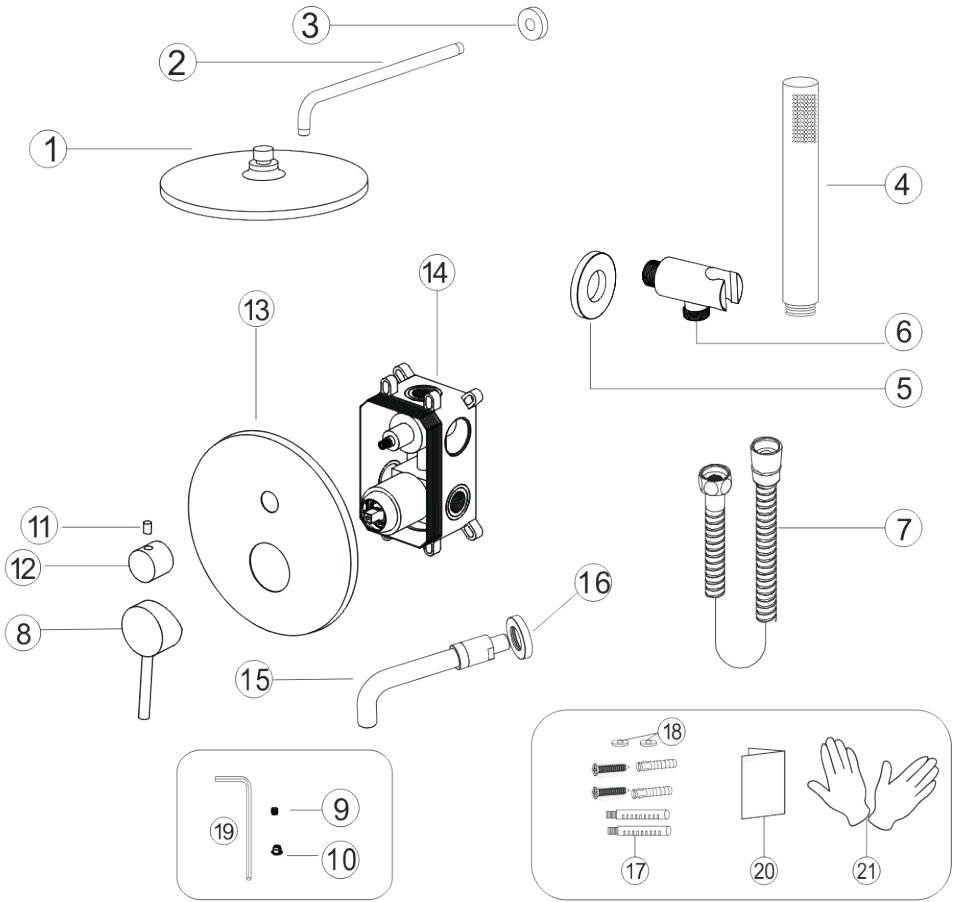
◆ **PRODUCT LIST**

**Model:6609**



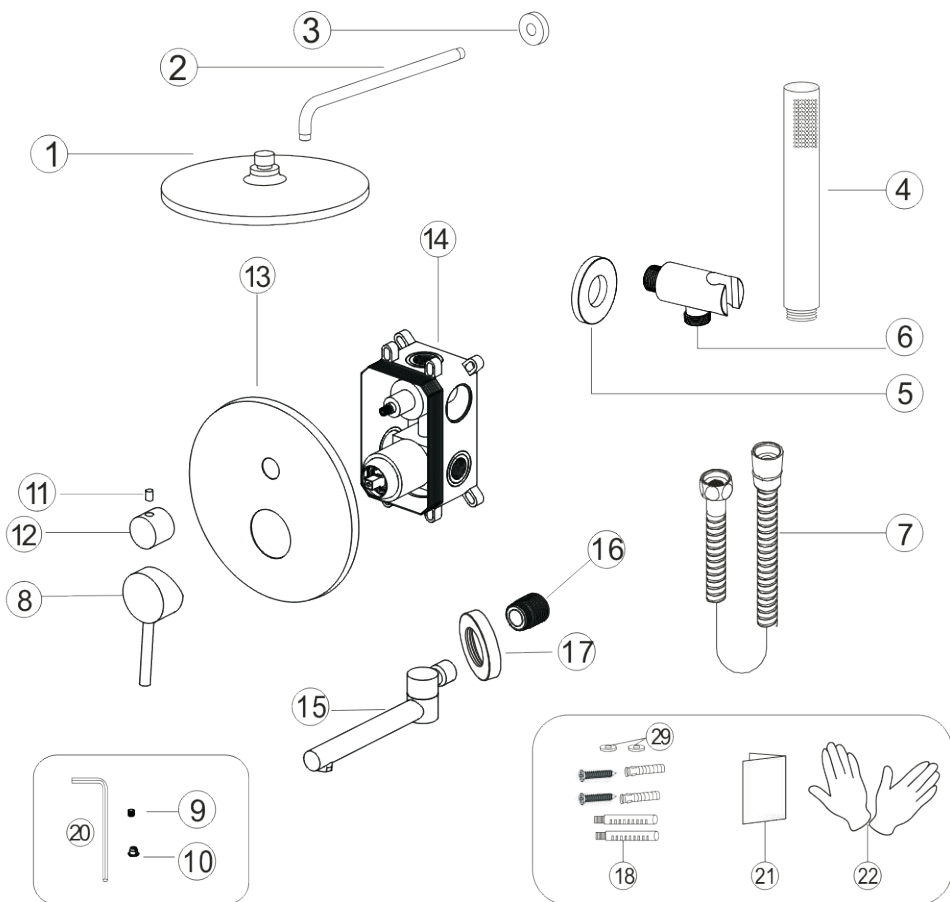
No.	Part name	Qty	No.	Part name	Qty
1	Shower head	1	8	Mainbody	1
2	Shower arm	1	9	Body box screw	4
3	Shower arm cup	1	10	Valve gasket spare parts	2
4	Handle	1	11	Wrench	1
5	Handle screw	1	12	Instruction manual	1
6	Handle cup	1	13	Gloves	2
7	Panel	1			

◆ **PRODUCT LIST**  
**Model:6612**



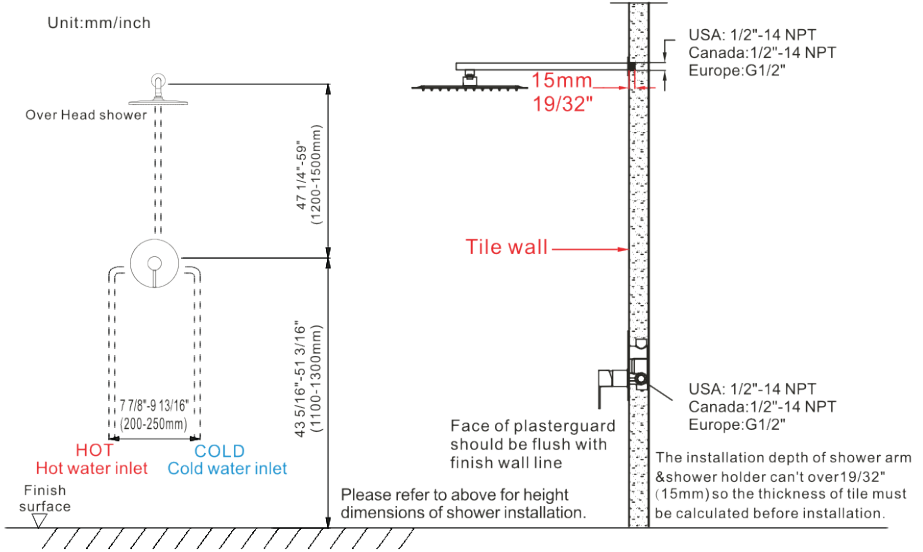
No.	Part name	Qty	No.	Part name	Qty
1	Shower head	1	12	Water diverter	1
2	Shower arm	1	13	Panel	1
3	Shower arm cup	1	14	Main body	1
4	Shower hand	1	15	Bathtub spout body	1
5	Holder cup	1	16	Cover	1
6	Hand shower holder	1	17	Body box screw	4
7	Shower hose	1	18	Valve gasket spare parts	4
8	Handle	1	19	Wrench	1
9	Handle screw	1	20	Instruction manual	1
10	Handle cup	1	21	Gloves	2
11	Water diverter rod	1			

◆ **PRODUCT LIST**  
**Model 6202**

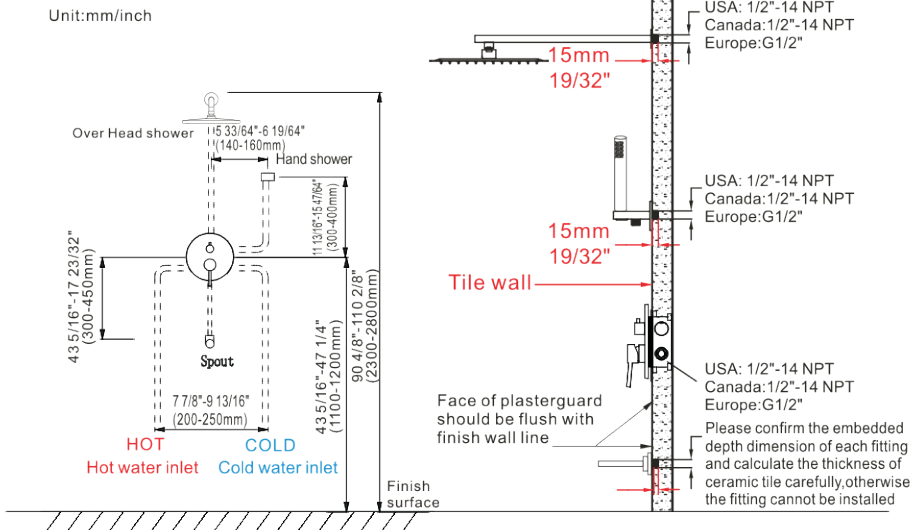


No.	Part name	Qty	No.	Part name	Qty
1	Shower head	1	13	Panel	1
2	Shower arm	1	14	Main body	1
3	Shower arm cup	1	15	Bathtub spout body	1
4	Shower hand	1	16	Bathtub spout copper	1
5	Holder cup	1	17	Cover	1
6	Hand shower holder	1	18	Body box screw	4
7	Shower hose	1	19	Valve gasket spare parts	4
8	Handle	1	20	Wrench	1
9	Handle screw	1	21	Instruction manual	1
10	Handle cup	1	22	Gloves	2
11	Water diverter rod	1			
12	Water diverter	1			

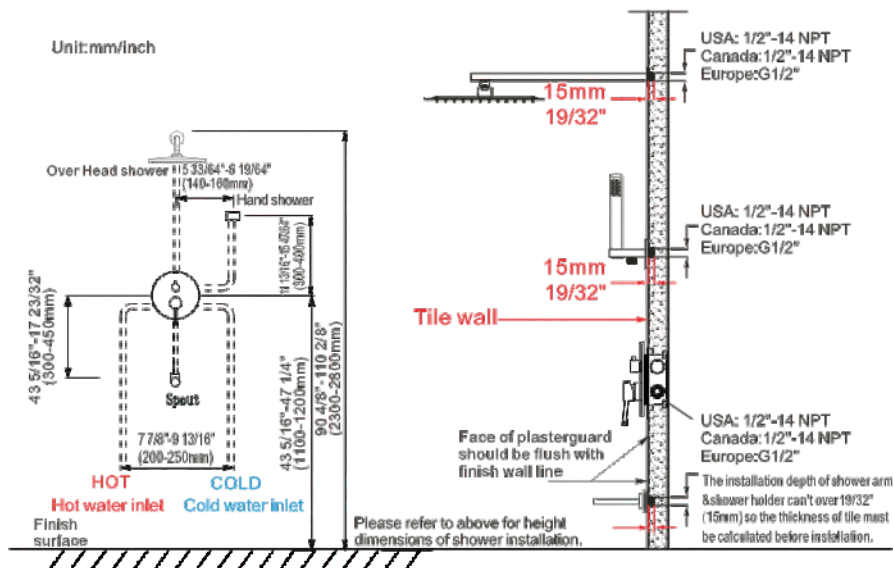
◆ **Model 6609 ACCOUNT FOR EMBED PIPE AND INSTALLATION DEPTH**



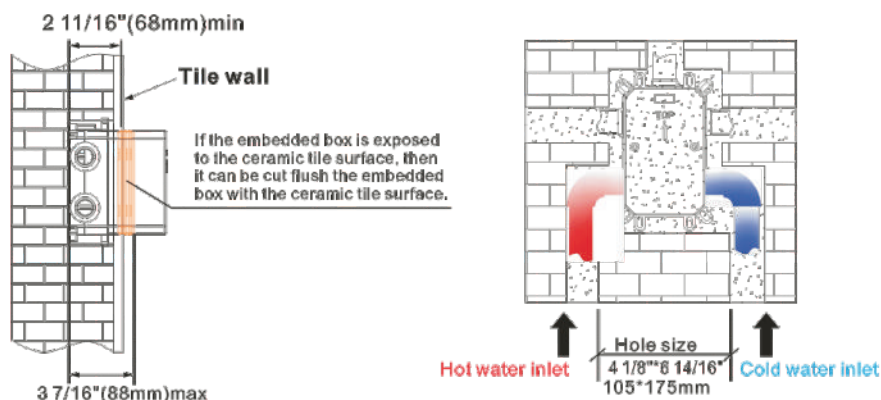
◆ **Model 6612 ACCOUNT FOR EMBED PIPE AND INSTALLATION DEPTH**



◆ **MODEL 6202 ACCOUNT FOR EMBED PIPE AND INSTALLATION DEPTH**



◆ **Model 6612 & 6202  
INSTALLATION DEPTH OF MAIN BODY**

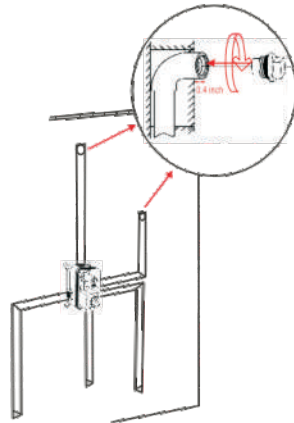


- 1: Including the thickness of ceramic tile is less than or equal to the thickness of valve 3 7/16" (88mm), so the thickness of tile must be calculated before installation.
- 2: Installation Main body depth not less than 2 11/16" (68mm) min and not more than 3 7/16" (88mm) Max, Otherwise, the panel cannot be installed.

◆ **Model 6612 & 6202**  
**WALL MOUNTED/CELILING MOUNTED INSTALLATION BEFORE TILONG**



Recommend using copper drop ear pipe elbow(NPT1/2")

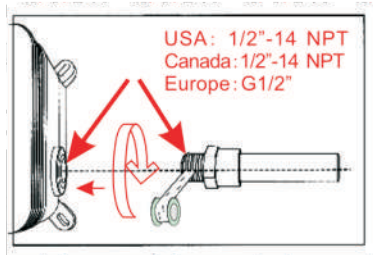
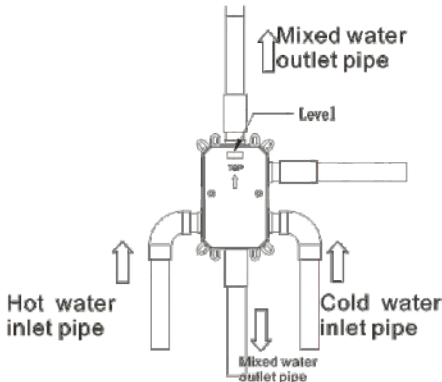


1:Recommend using Copper drop ear pipe elbow(NPT 1/2 )

◆ **Model 6612 & 6202**  
**MAIN BODY CONNECTING PIPE SCHEMATIC DIAGRAM**



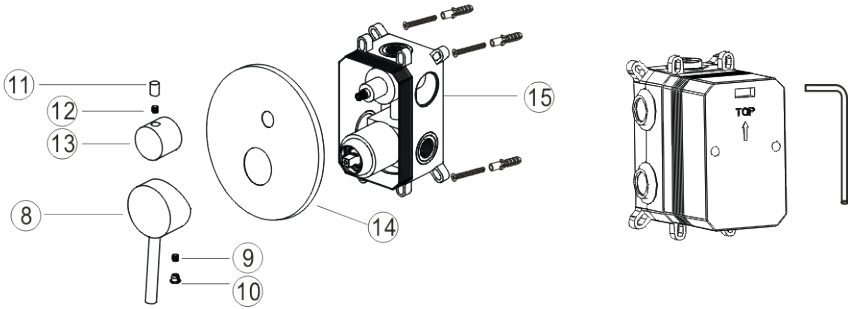
Warning: must install hot water and cold water inlet strictly as instructions.



- 1.As shown in the figure, the inlet and outlet pipes are pre-buried, pay attention to the correct direction of installing the pre-buried box, and make sure that the mark TOP on the top of the installation box is facing upward.
- 2.Install the hot and cold water inlet pipes, Shower head and hand shower holder pipes. Turn on the water source to test whether the left and right inlet pipes are tightly connected without leakage. After the test, adjust the flow switch to be on to test whether the mixed outlet pipe. The connection is tight and there is no leakage.

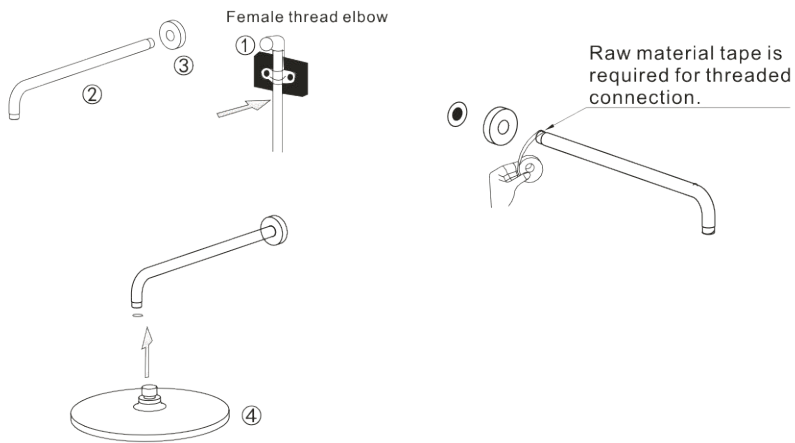


◆ **Model 6612 & 6202**  
**MAIN BODY ASSEMBLY SCHEMATIC DIAGRAM**



Please fix the ⑮Main body to the wall then remove the plastic protective cover and install ⑭Panel ⑬ Water diverter , ⑫ Screw,⑪ Water diverter rod in the order. Finally you could install ⑧Handle, ⑨Screw, ⑩Handle cup.

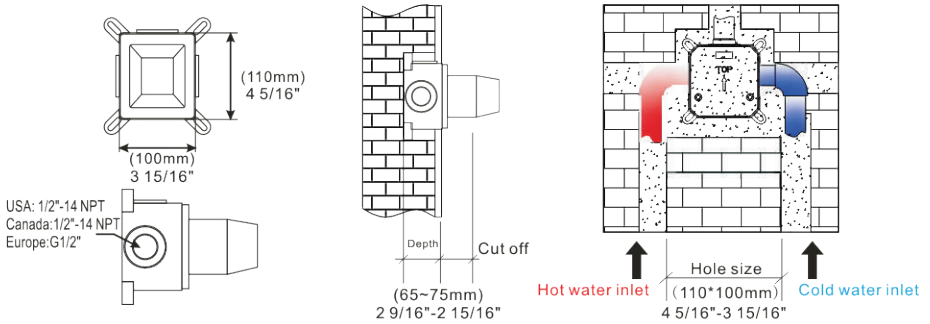
◆ **Model 6609 & 6612 & 6202**  
**INSTALLATION OF RAIN SHOWER HEAD& SHOWER ARM**



Connect top outlet ① to shower arm ②with proper fittings. To prevent damage, to finish on shower arm, insert wall end of shower arm into shower flange ③ before screwing arm into riser connection.Thread showerhead ④ onto shower arm. Apply tape to pipe threads on both ends. Do not overtighten showerhead. The showerhead is 360°swivel connection.

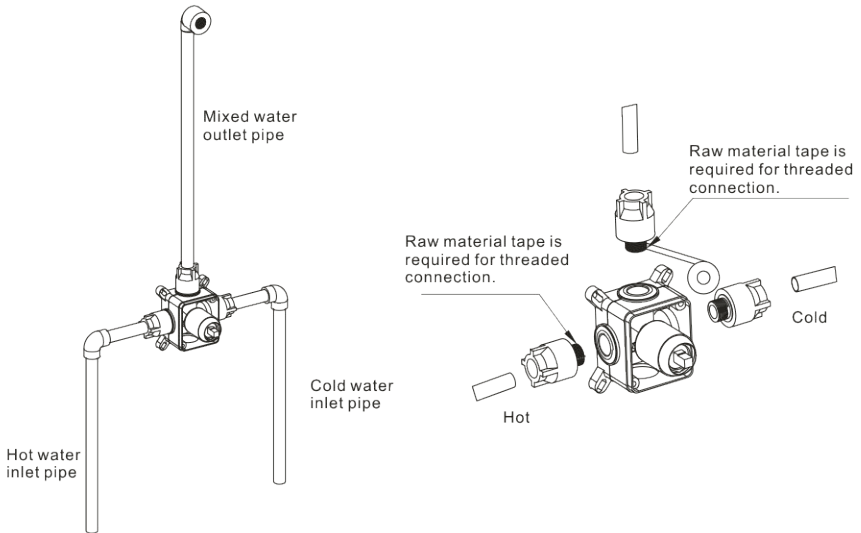
◆ **Model 6609**  
**1 WAY FUNCTION MAIN BODY CONNECTING PIPE SCHEMATIC DIAGRAM**

Unit:mm/inch



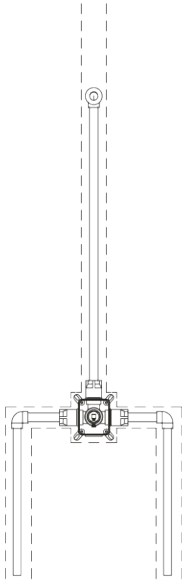
According to the basic size of the concealed box, use a special tool to open the main hole in the solid wall. As shown in the figure, the distance between the surface of the wall after the final treatment and the bottom surface of the opening should be considered to be 65~75mm(2 9/16"~2 15/16").

**Step 1**



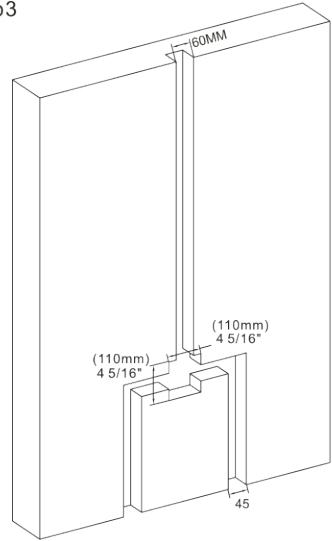
As shown in the figure, the inlet and outlet pipes are pre-buried, pay attention to the correct direction of installing the pre-buried box, and make sure that the mark TOP on the top of the installation box is facing upward.

### Step2



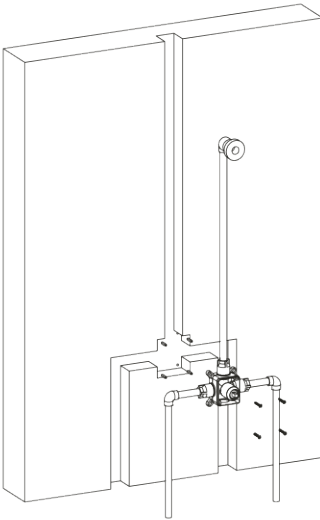
Draw the outline of the connected main body and tubes with a marking pen when place them against the wall, and then prepare for the grooving.

### Step3



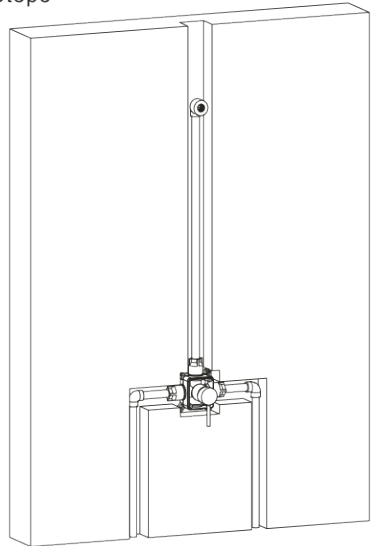
Drill the wall according to the size, and then groove.

### Step4



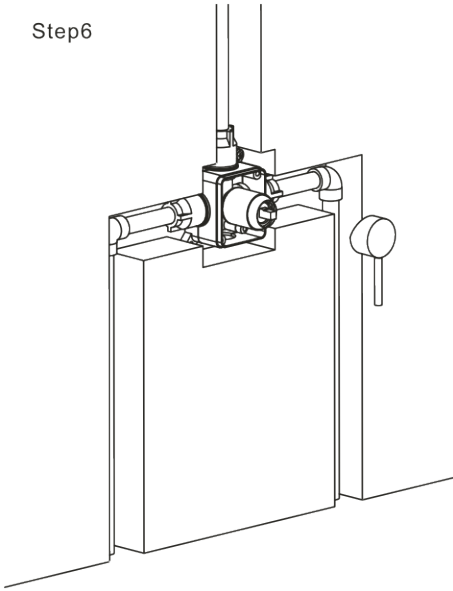
Punch the rubber particles into the wall, and fasten the main body to the wall with screws. 5. Turn the handle and the water divider wheel on the product, then plug the thread of the water in and out with a plug, test the faucet, and there is no water leakage.

### Step5



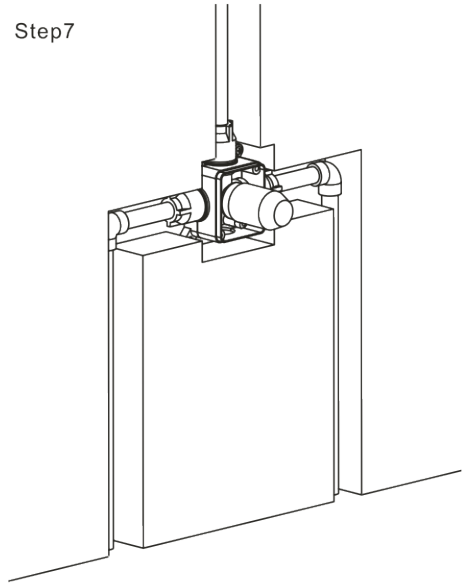
Adjust the handle and the diverter on the product, plug the thread of outlet to test the faucet, ensure there is no leakage. 6. If the water test is no problem, remove the handle and diverter.

Step6



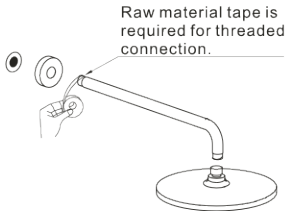
If the water test is no problem, remove the handle and diverter.

Step7

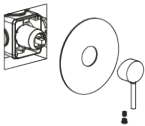


Remember to put the protective cover back before placing the tiles, and tighten the screws to prevent damage to the surface of the main body.

Step8

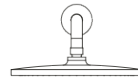


Raw material tape is required for threaded connection.



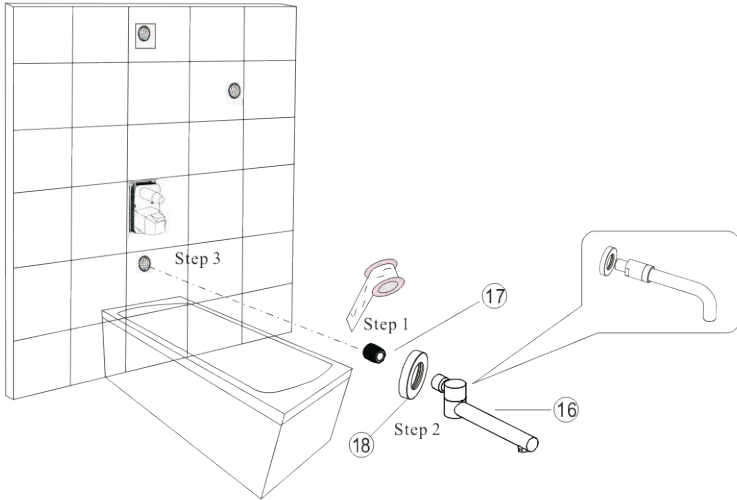
Use sealing tape to seal the thread position needed. After tile fixing, install the handle, showerhead, panel, decorative cover and diverter.

Step9



The product is a single-function concealed shower. When the handle is opened, the showerhead will spray water, and rotate left and right to adjust the hot and cold water.

◆ **Model 6612 & 6202**  
**INSTALL THE TUB SPOUT**

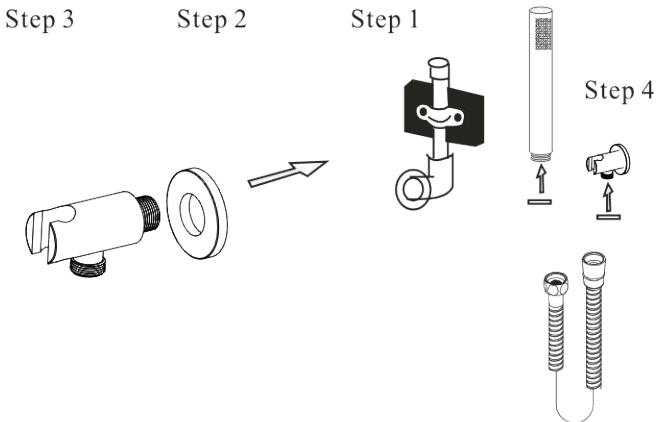


Step1: Connect the copper connector to the bathtub spout and wrap it with waterproof tape.

Step2: Install the round decorative cover.

Step3: Rotate the bathtub spout to connect with the internal thread on the wall.

◆ **Model 6212 & 6202 SHOWER HOLDER INSTALLATION**



Step1: Install the decorative cover on the shower seat.

Step2: Screw the main body into the thread.

Step3: Connect handle holder with hose and handle shower.

## ◆ CARE AND MAINTENANCE

In order to keep the mixer surface bright , please clean the mixer regularly.

Rinse faucet with clean water and wipe with soft cotton cloth.

Avoid using cleaning powder , harsh cleaning chemicals, brushes, and cloth with coarse surface to prevent scratching and corrosion.

Do not use acid cleaner to clean the faucet as it may cause surface corrosion of the faucet. If the faucet comes into contact with harmful acid substances, please rinse it with water immediately.



---

### ◆ IF A LARGE-SCALE CLEAN-UP IS NECESSARY, FOLLOW THESE PROCEDURES:

1: Use clean water and soft cloth to remove dirt on the surface as much as possible.

2: Use one of the following cleaners to remove dirt on the surface

Mild liquid cleaner.

Colorless glass cleaner, powder cleaner which does not have abrasive function and can be dissolved completely.

Polish liquid which does not have abrasive function.

3: After cleaning, remove the cleansing agent with clean water completely and wipe with soft cotton cloth.