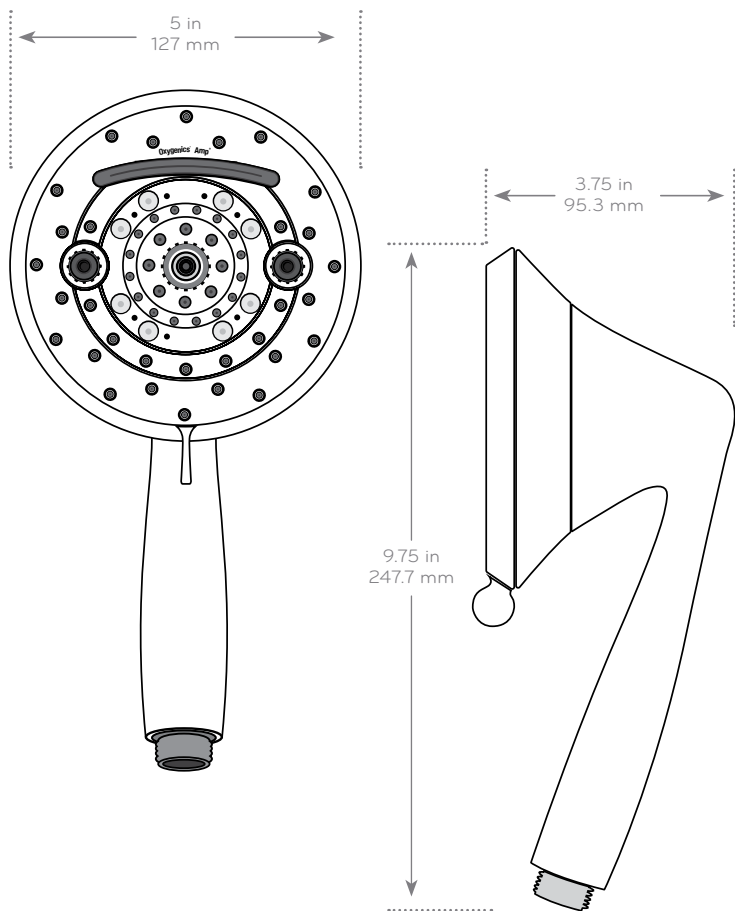


Submitted Model No.: _____

Specific Features: _____



PRODUCT SPECIFICATIONS:

- Dimensions:** 5" x 3.75" x 9.75"
- Weight:** 2 lbs.
- Max Flow Rate:** 1.8 GPM
- Available Finishes:** Chrome, Brushed Nickel

SETTINGS:

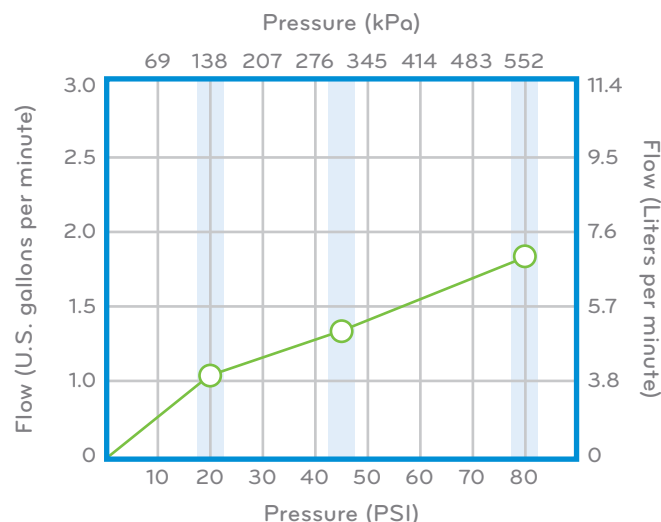


FEATURES:

- + **Powerful sprays featuring multiple Oxygenics engines** and a distinct waterfall spray setting.
- + **Extra-large 5" spray face** adds coverage for faster and easier rinsing.
- + **72" stainless steel hose adds length** for easy cleaning in hard to reach places.
- + Highly efficient design uses only 1.8 GPM, **saving up to \$125+ per year.**
- + **Quality materials and superior construction** ensure a lifetime of performance.
- + Installs in **minutes.**

WHAT'S INCLUDED:

- + Handheld Shower + 72" Stainless Steel Hose
- + Holder + Plumber's Tape



○ Oxygenics 1.8 GPM

"NEVER CLOG!" Warranty

Limited lifetime performance warranty against failure or clogging.

