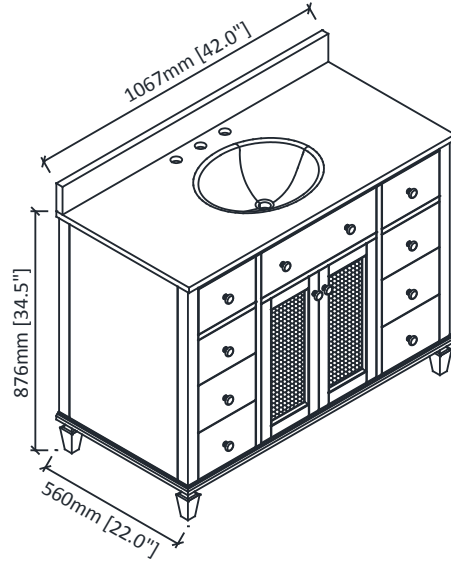
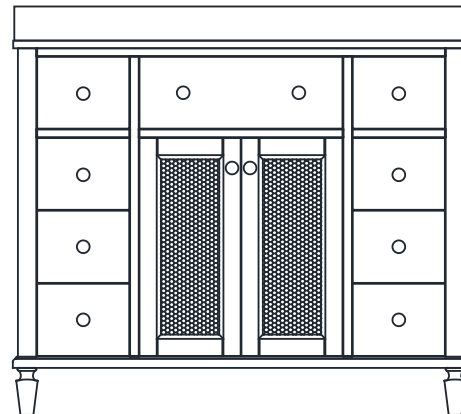
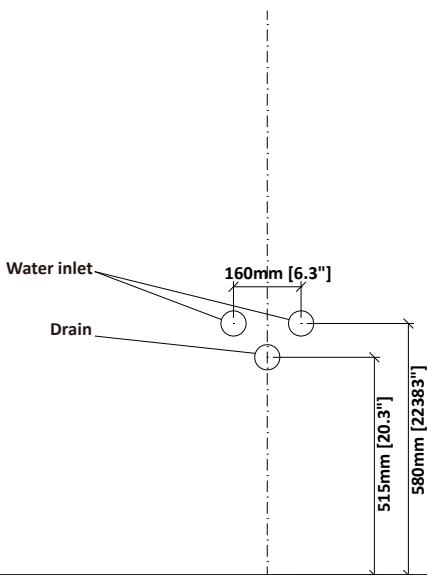
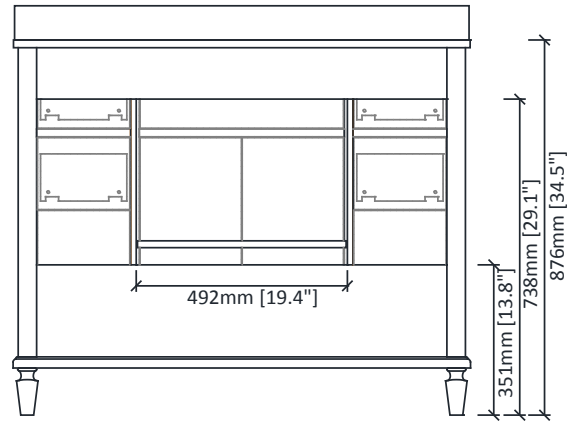
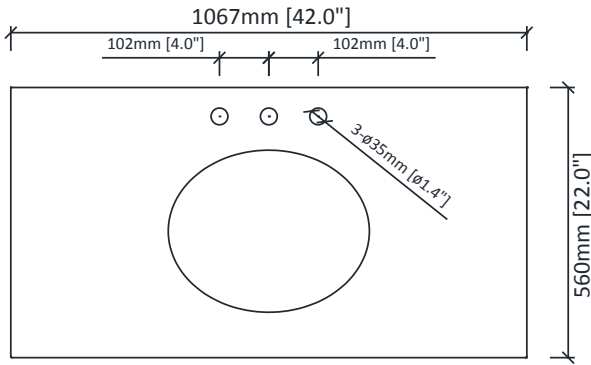


# Annie 42 Cabinet Installation Instruction



## DIMENSIONS



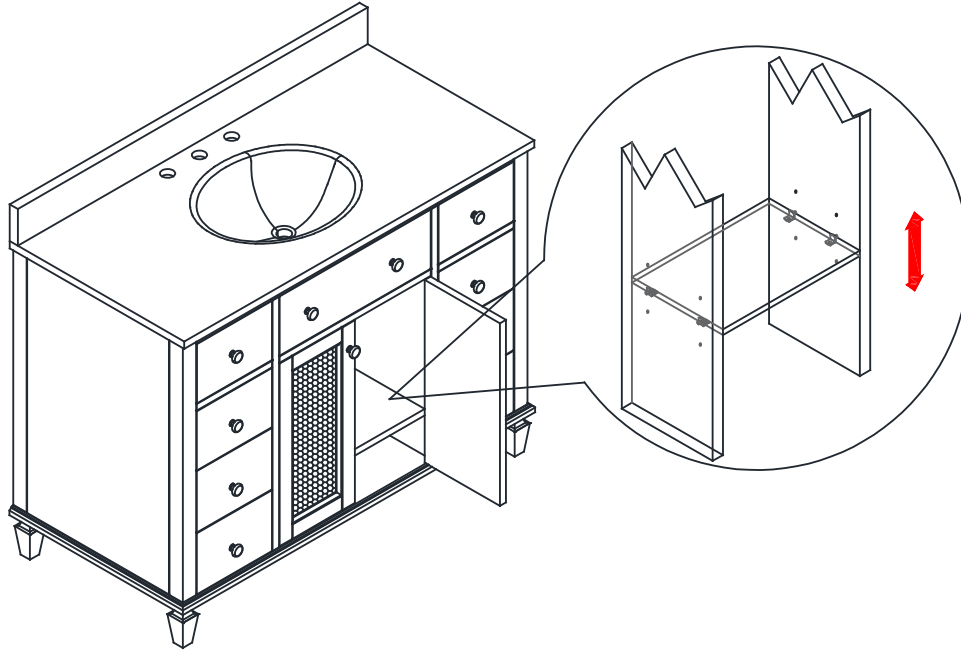
### **WARNING !**

*In the hole on the wall, please be sure to be careful to avoid the internal cables and pipelines.*

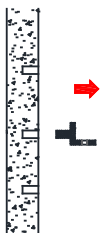
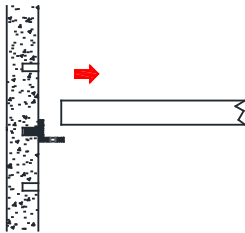
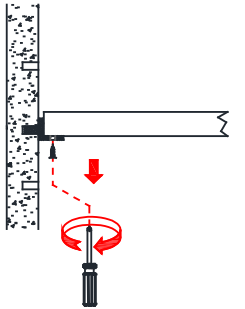
### **MATERIALS & TOOLS**

*Safety glasses, Pencil, Level, Tape measure, Stud Finder, Assorted screwdrivers, Assorted Wrenches, Drill, Screw gun, Caulking gun, Hammer, Screws, Nail anchors/Molly screws.*

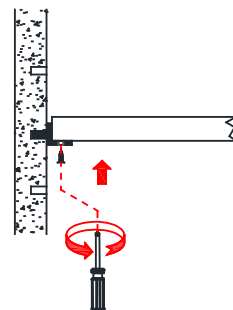
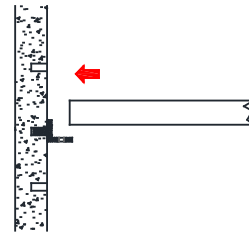
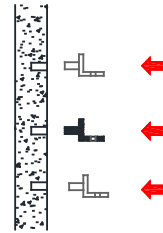
# SHELF INSTALLATION



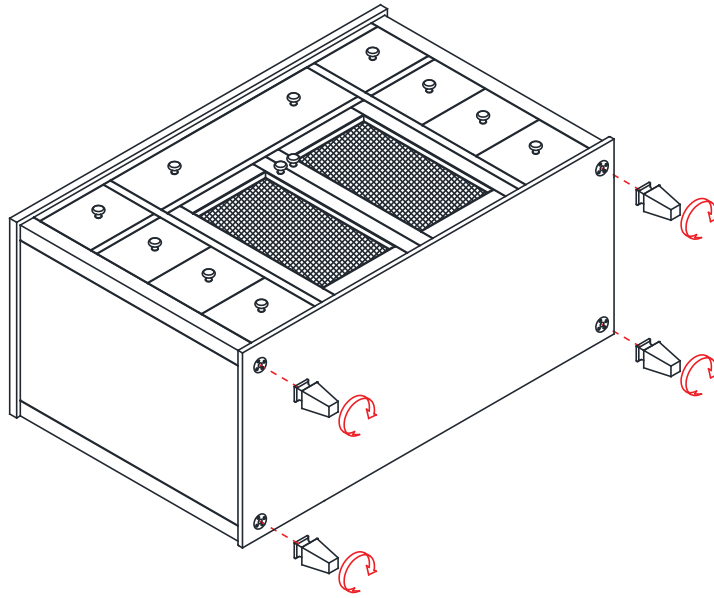
## REMOVE



## INSTALL



► Install the vanity feet, Two people are required to turn the vanity after finished



► If the floor is uneven, the adjustable feet levelers can be rotated to raise the vanity to the desired height.

