

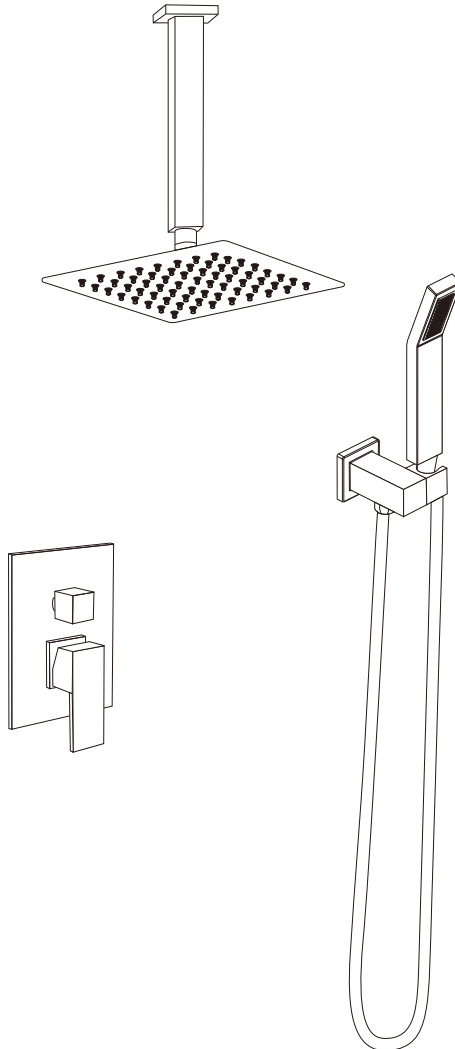


# INSTALLATION MANUAL

FOR SHOWER SYSTEM

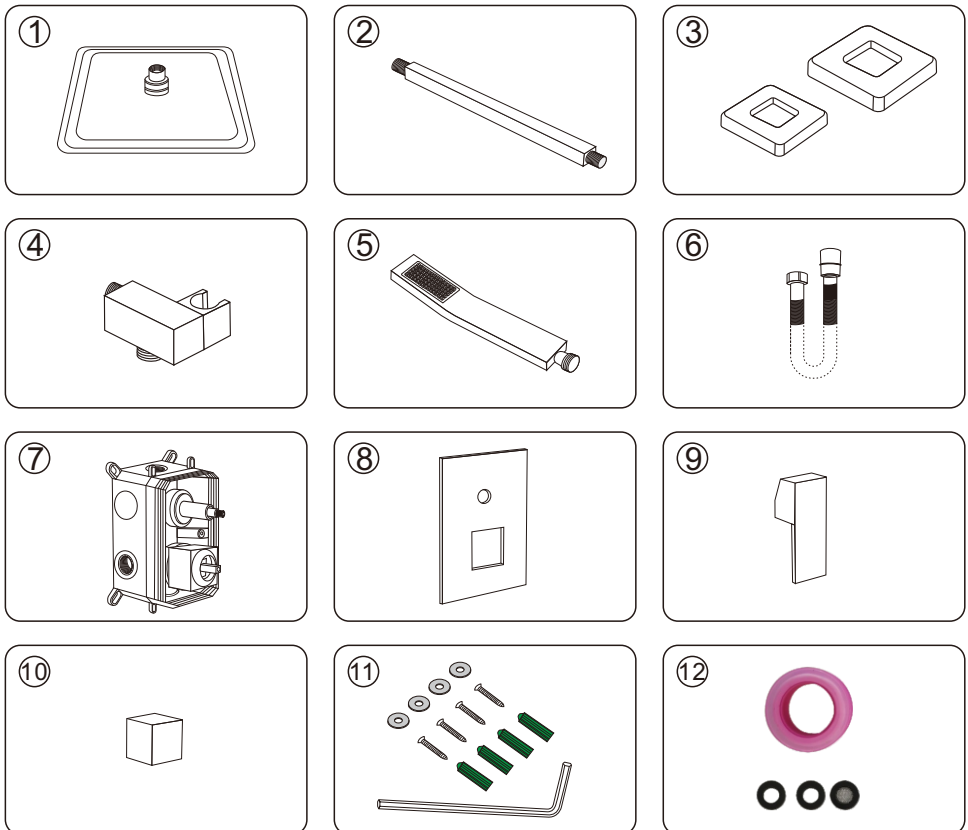
# INSTALLATION INSTRUCTIONS

## Ceiling Mounted Installation



Item No.	Product Name	QTY	Item No.	Product Name	QTY
1	Rain Shower Head	1 PC	7	Embedded Box	1 PC
2	Shower Arm	1 PC	8	Embedded Box Cover	1 PC
3	Cover Board	2 PCS	9	Handle	1 PC
4	Elbow With Hook	1 PC	10	Diverter handle	1PC
5	Handheld Shower Head	1 PC	11	Nails Bag & Allen-Key	1 BAG
6	Shower Hose	1 PC	12	Accessories Bag	1 BAG

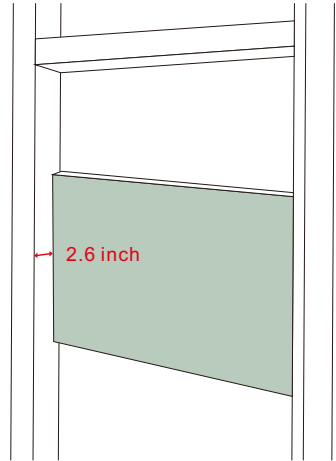
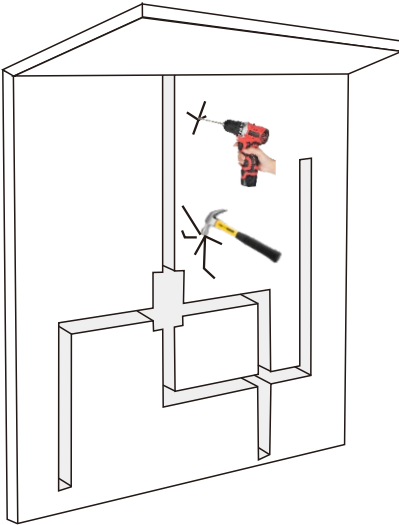
## Essential accessories list



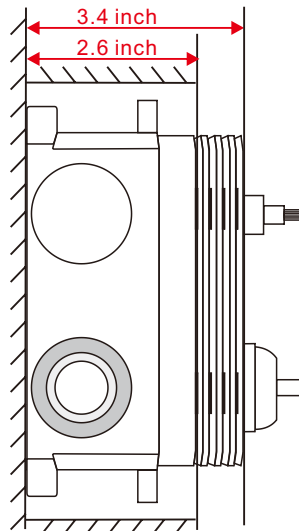
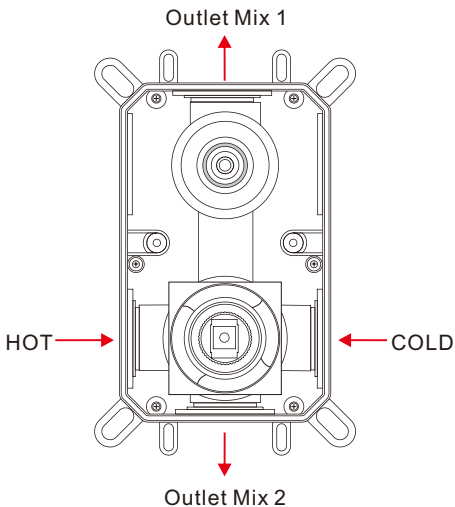
**WARNING:** Choking hazard. Keep all small parts and plastic bags out of the reach of children.

## Prepare the wall for installation.

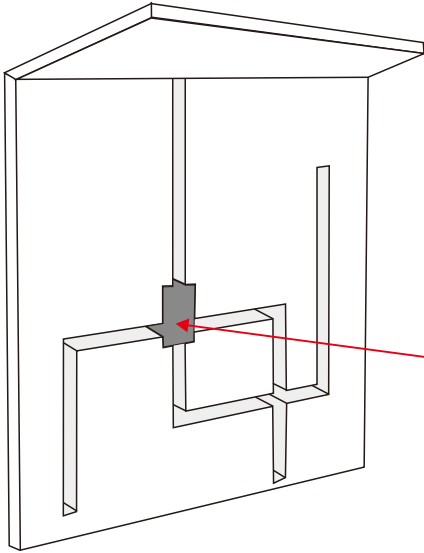
(Note: The depth provided is for reference only. Please determine the installation depth based on the actual thickness of tiles.)



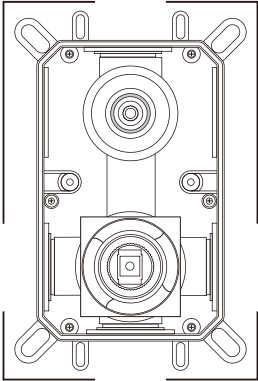
Tips : Embedded box can be cut to flush with tiles before trim installation  
(Distance from back of valve body to finish surface to be between 2.6-3.4 inches)



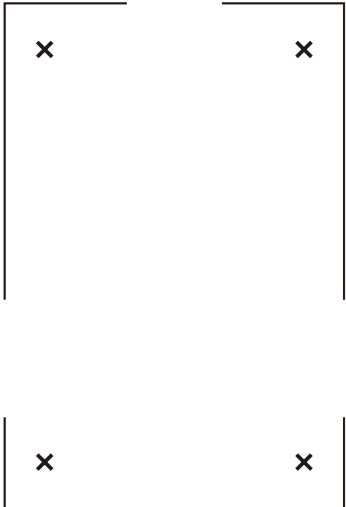
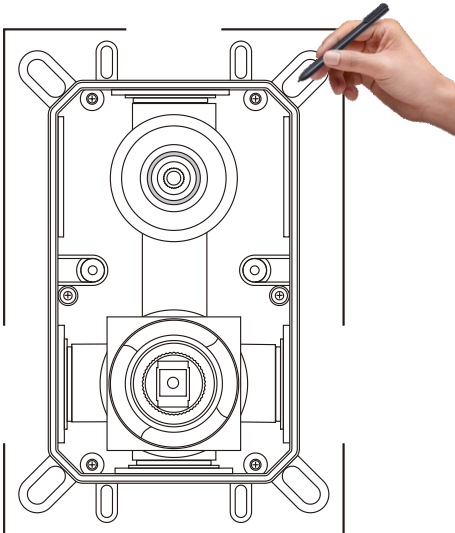
### Step 1: Install the Embedded box

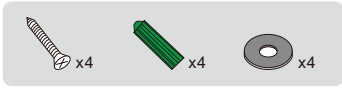


Tips: Don't remove the transparent protective cover when installing

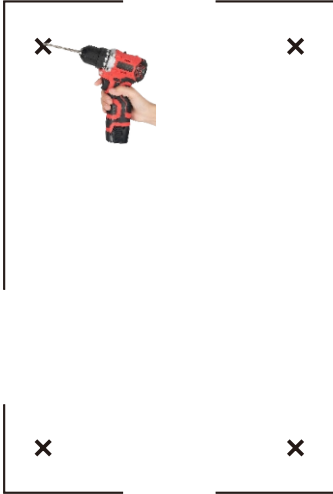


• Mark position

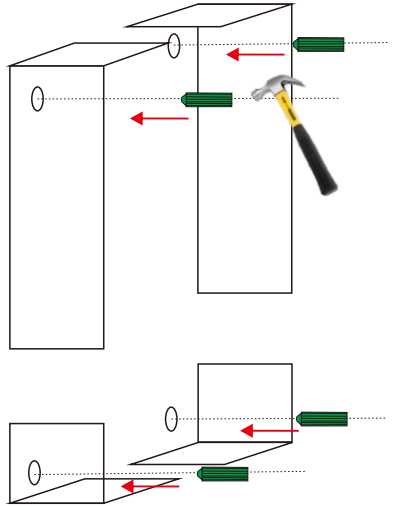




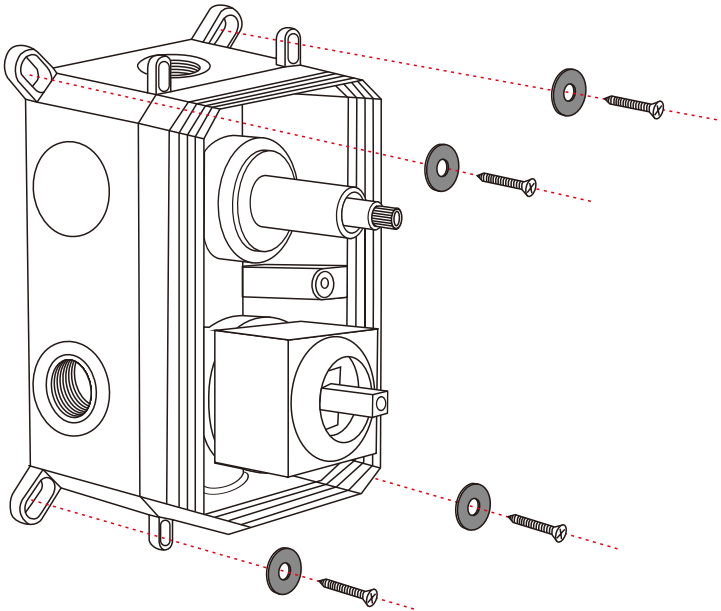
• Drill hole



• Insert nylon plug

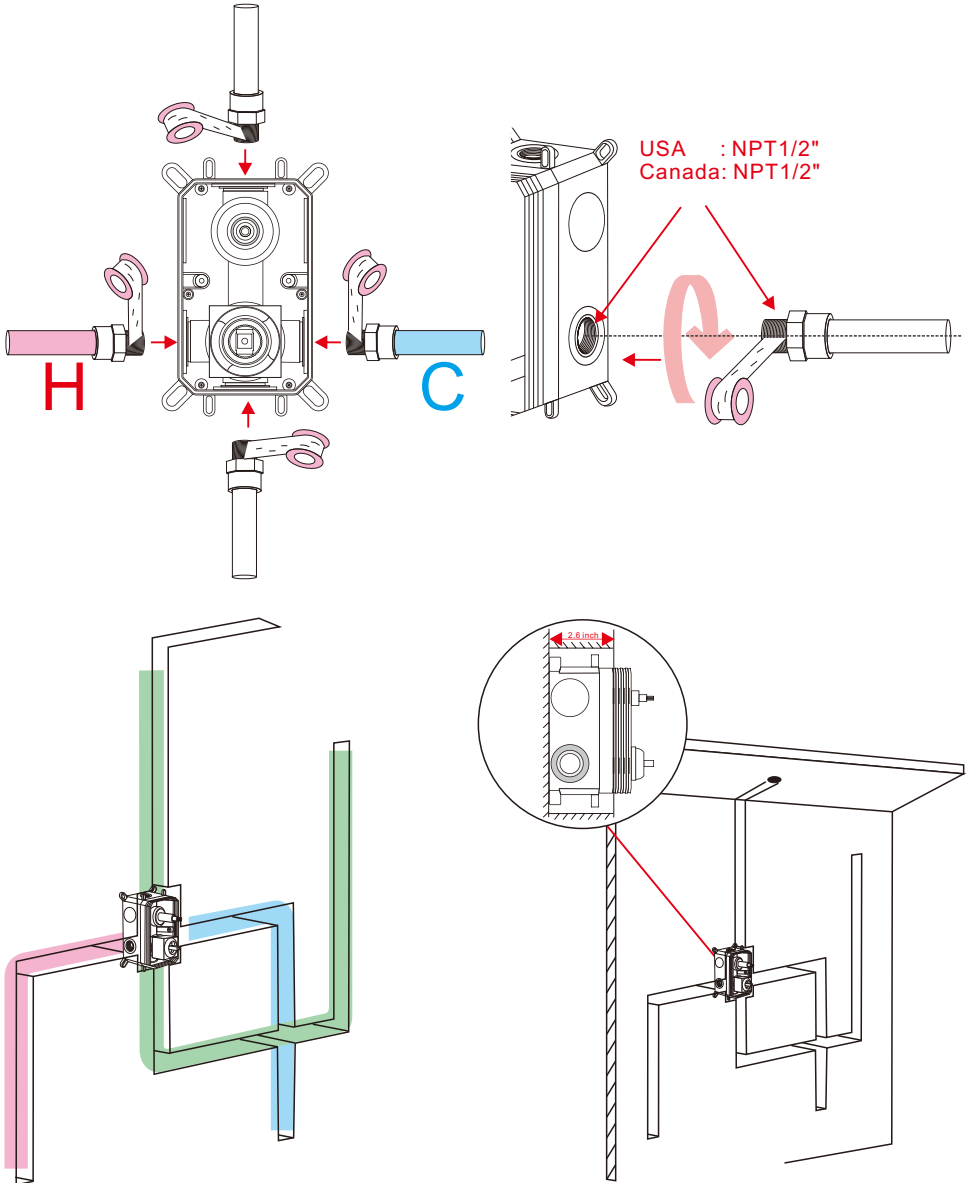


• Fix the embedded box

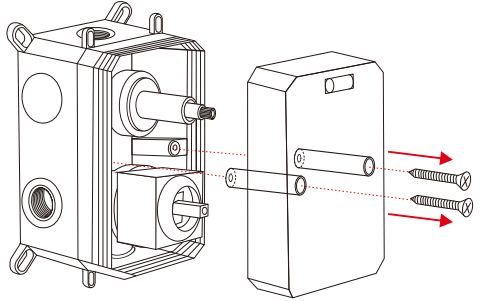
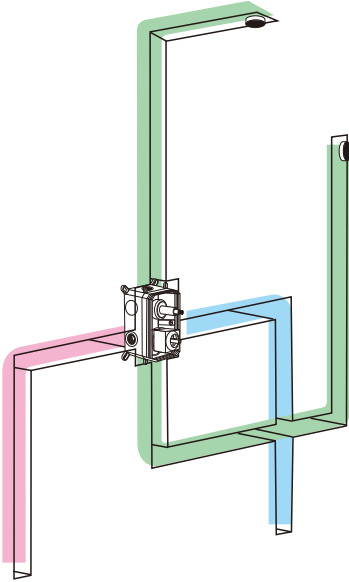
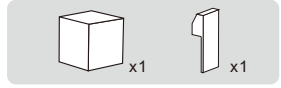


## Step 2: Connect the water pipes with embedded box

Tips: Clean the water pipe to avoid any blockage, 1/2 inch male NPT fitting connection to be made with pipe thread sealant, do not over tighten.

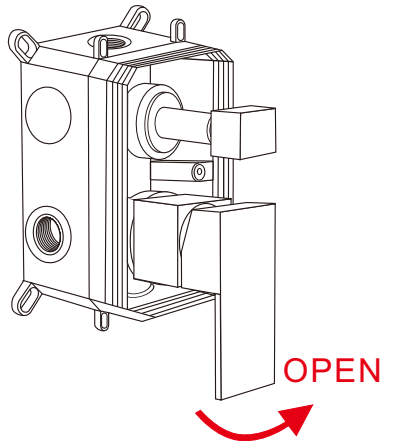
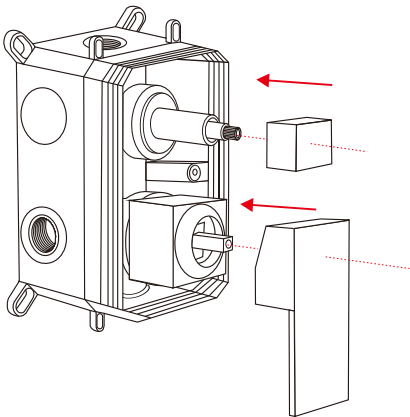


Step 3: Remove the protective cover

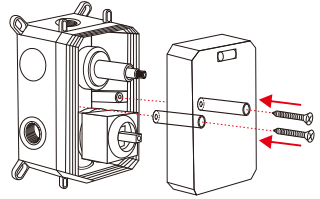
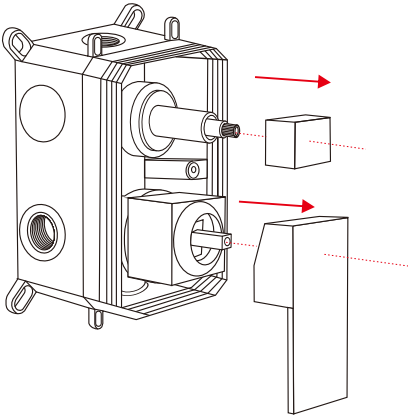


Step 4: Install the handle to test the water

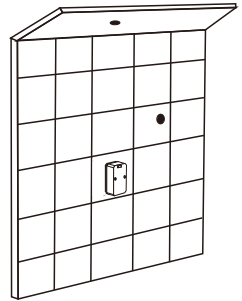
Tips: Test the outlet of Rain shower head and handheld shower head.



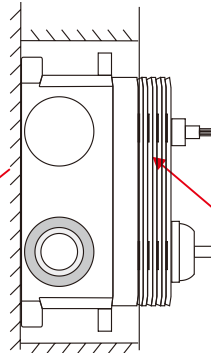
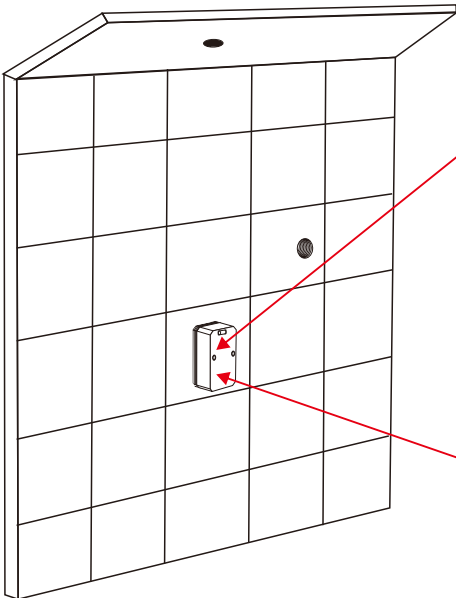
**Step 5: Remove the handle, Install the transparent protective cover and finish the wall decoration**



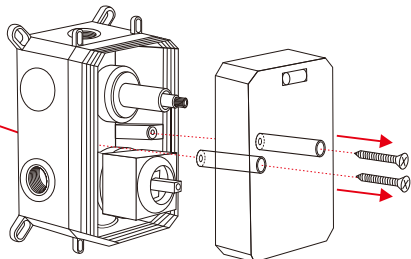
**Tips:** Install the transparent cover before finishing the wall so as to protect the embedded box



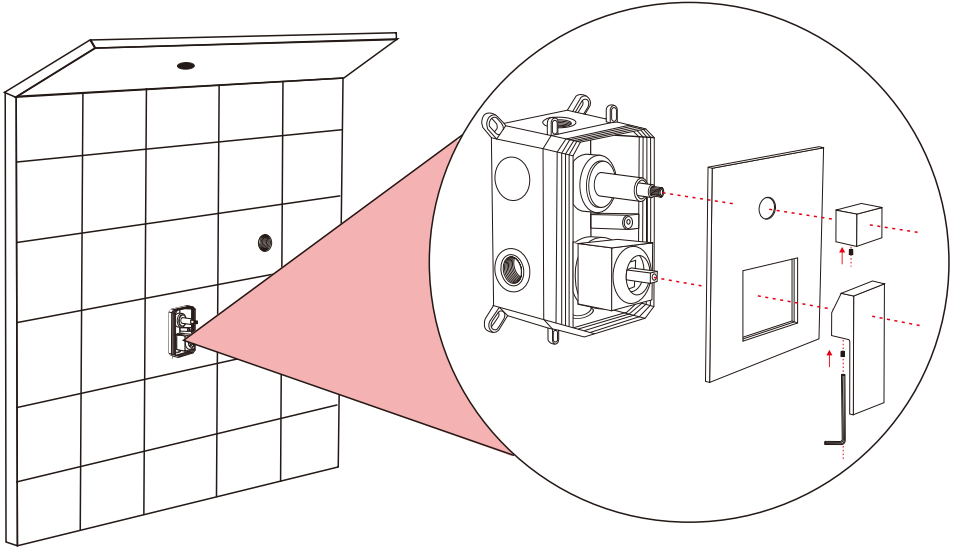
**Step 6: Remove the transparent protective cover**



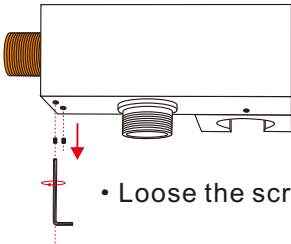
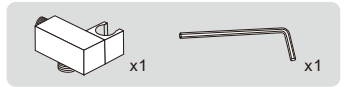
• Cut away the part of the embedded box sticking out so that it is level with the wall.



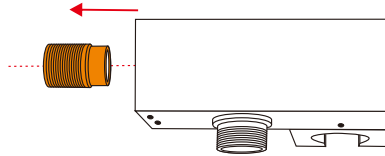
Step 7: Put the embedded box cover on and fix the handle



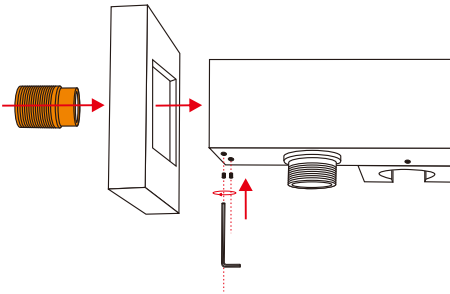
Step 8: Install the elbow with hook



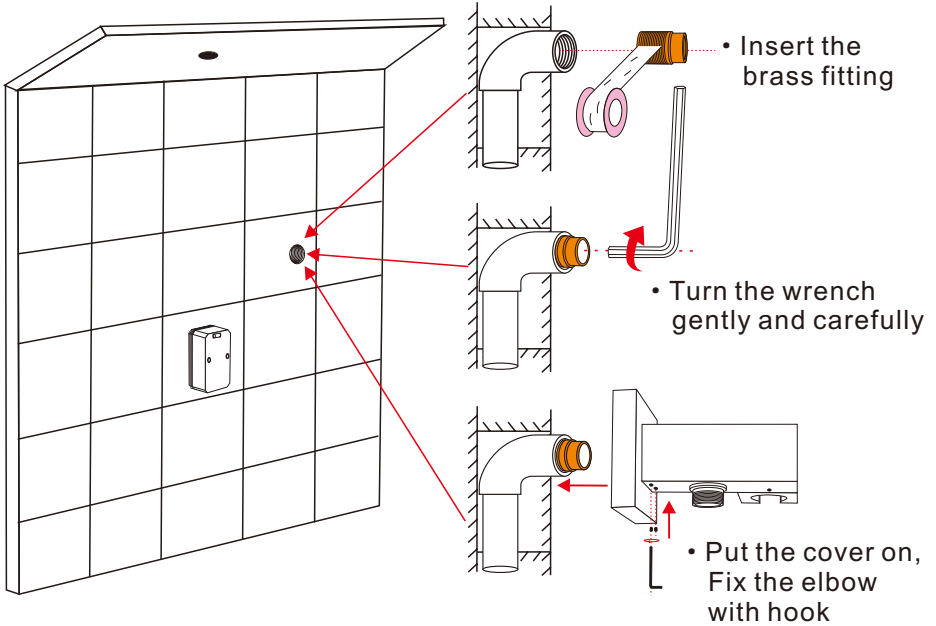
• Loose the screw



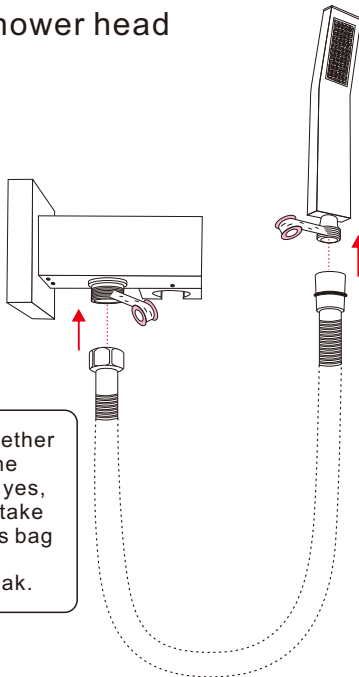
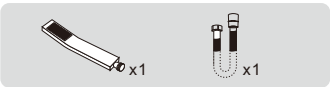
• Take out the brass fitting



• See next page for step 8 continuously

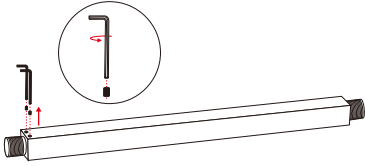
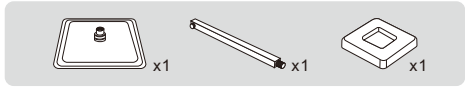


**Step 9: Connect the shower hose and handheld shower head**

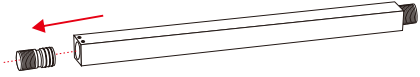


**Tips:** Please check whether the washer is inside the shower hose or not. If yes, connect directly; if no, take it from the accessories bag and put it in before connection to avoid leak.

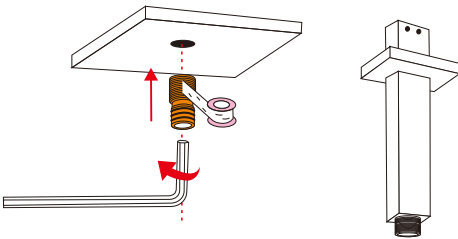
### Step 10: Install shower arm and rain shower head



• Loose screw

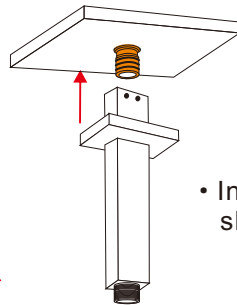


• Take out the brass fitting

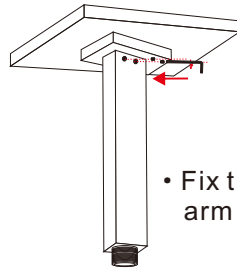
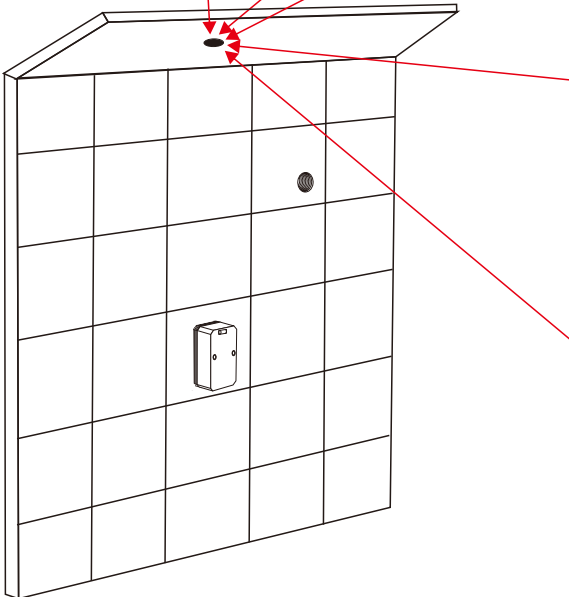


• Fix the brass fitting

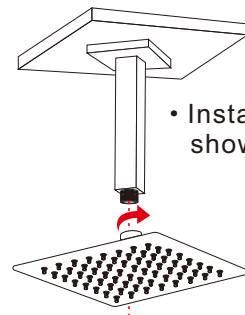
• Put the cover on



• Insert the shower arm



• Fix the shower arm



• Install the rain shower head

## Clean and maintain product

### 1. How to clean the shower head :

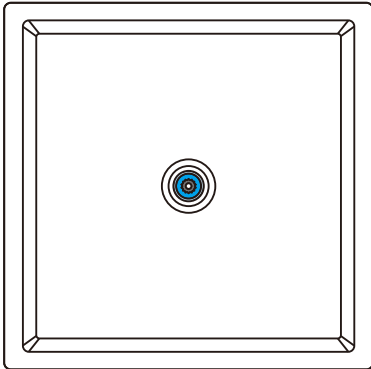
A. Rub the nozzles with fingers or toothbrush to loosen deposits, then run hot water for a while .

B. Put the shower head in a pot, fill with enough white vinegar or Detergent to cover the shower head. Then soak it for 30 minutes or longer.

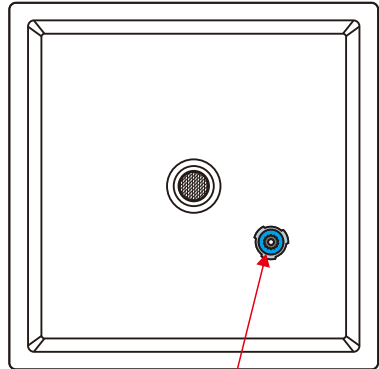
C. Use a high quality microfiber cloth and gently wipe over the surface, then rinse with warm water. Finally, use a dry chamois or paper towel to gently remove any residue.

### Warm Tips :

If you feel the flow is too small , you can take out the water restrictor accordingly.



**Before**



**water restrictor**

**After**

## Guarantee Repairs Claims

1. During the warranty period, LORDEAR is responsible for free repairs of any defective products and missing parts.
2. Payment needed for replacement if the Malfunction and damage caused by following situations even within the warranty period:
  - 2.1 Improper use, unauthorized repair or reconstruction (including throwing or beating);
  - 2.2 Failure to follow installation manual (including unprofessional installation by a plumber) ;
  - 2.3 Removal after installation or other factors;
  - 2.4 Usage beyond the specified scope.
3. The recommended water temperature for the hand shower and rain shower head is  $\leq 42^{\circ}\text{C}$ , with a water pressure of 0.1-0.3 Mpa. The highest suggested temperature should not exceed  $70^{\circ}\text{C}$ , with a water pressure of 0.05-0.5 Mpa. Therefore, it is advised to keep any product equipped with a shower away from the heater to avoid potential risks.

## THANK YOU FOR SHOPPING WITH US!



**PLEASE DO NOT RETRUN TO STORE!  
PLEASE CHECK ALL THE ACCESSORIES  
BEFEOR INSTALLATION.**

Tips: If there is any questions for the products, please feel free to contact us. We will solve it at the first time.

For quick and better to solve problem for you, Required information is a MUST:

1. Where you buy
2. PO Number/Tracking number
3. SKU Number
4. Problem to Clarify
5. Picture/Video