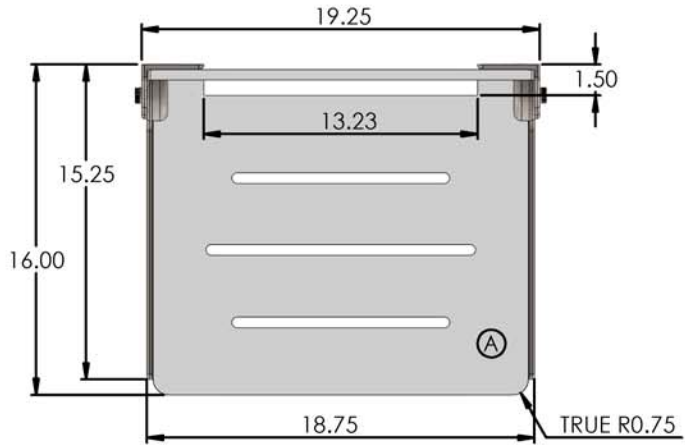
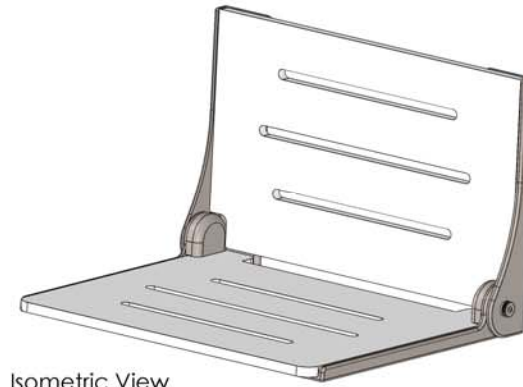


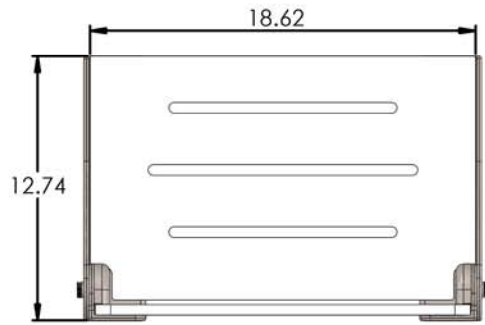
LIFESTYLE & WELLNESS



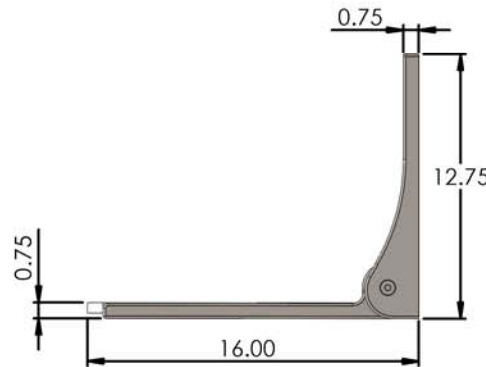
Top View



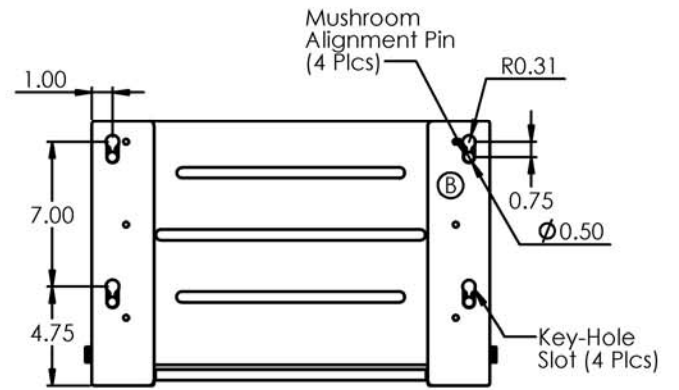
Isometric View



Front View



Side View



Rear View

REVISIONS

REV.	DESCRIPTION	DATE
A	Added 1-1/2" wall clearance, seat top lengthened, drain slot pattern changed, and radius added to front corners.	9/30/2016
B	Removable Back Rest added	5/2/2017

PROPRIETARY AND CONFIDENTIAL
 THE INFORMATION CONTAINED IN THIS DRAWING IS THE SOLE PROPERTY OF SEACHROME CORPORATION. ANY REPRODUCTION IN PART OR AS A WHOLE WITHOUT THE WRITTEN PERMISSION OF SEACHROME CORPORATION IS PROHIBITED.

UNLESS OTHERWISE SPECIFIED:	
DIMENSIONS ARE IN INCHES	
TOLERANCES:	
FRACTIONAL: \pm	
ANGULAR: MACH \pm BEND \pm	
TWO PLACE DECIMAL: \pm	
THREE PLACE DECIMAL: \pm	
INTERPRET GEOMETRIC TOLERANCING PER:	
MATERIAL:	Almond Phenolic Seat
FINISH:	Bronze Powder Coat Frame
NEXT ASSY:	USED ON:
APPLICATION:	DO NOT SCALE DRAWING

NAME	DATE
DRAWN: Ayala	05-10-17
CHECKED:	
ENG APPR.	
MFG APPR.	
Q.A.	
COMMENTS:	

Seachrome Corporation		
TITLE: Silhouette High Back Seat 18" One-Piece Almond Phenolic with Standard Slot Pattern w/ Bronze Powder Coat Frame		
SIZE: B	DWG. NO.: SHAF-185155-PAS-S-BR	REV.: B
SCALE: 1:5	WEIGHT:	SHEET 1 OF 1