



ALUMINUM BASE NO-CALK® ROOF FLASHINGS TECHNICAL SPECIFICATION

Job Name _____	Item # _____
Location _____	
Engineer _____	Contractor _____
PO # _____	Tag _____
Representative _____	

SPECIFICATIONS

Oatey Aluminum Base No-Calk Roof Flashings can be used in commercial and residential applications where a watertight seal for roof penetrations around the plumbing vent pipe is required.

APPROVALS AND LISTINGS

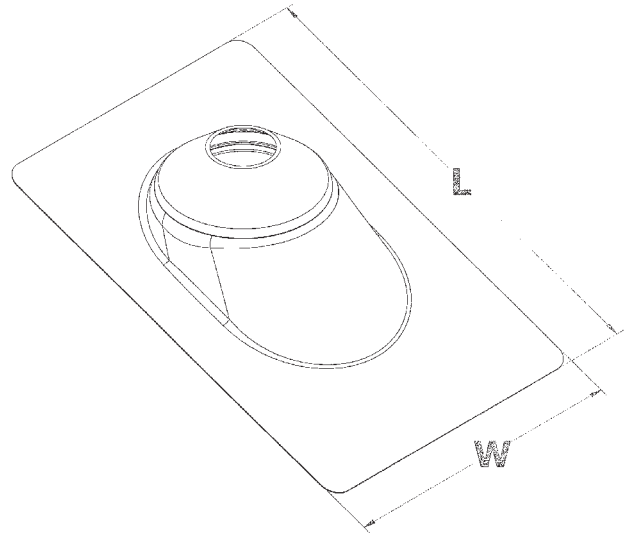
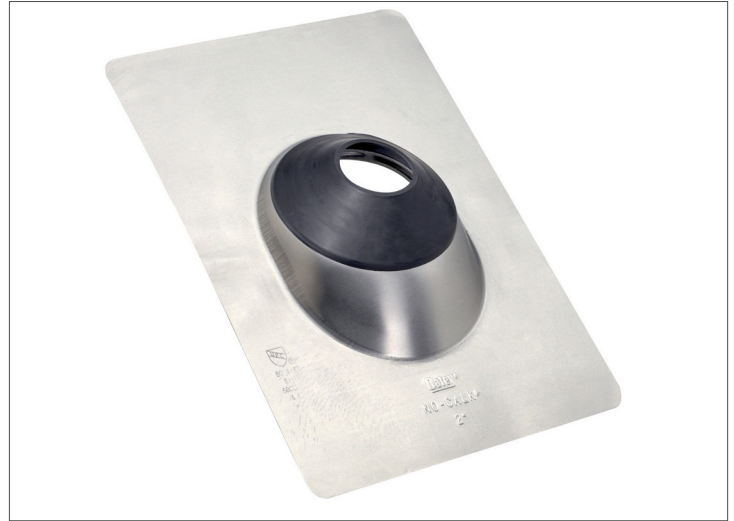
IAPMO Listed



DESCRIPTION

All dimensions in inches.

- Aluminum Roof Flashing slides over DWV pipe for pitch to 40°.
- Made of stamped aluminum.
- Non-fading sealing collar.
- Approved for Type B installations.
- Not for hot-mopped or built-up roofs.
- Do not use paint or petroleum based products on rubber collars.



Access BIM/Revit content through www.oatey.com



ALUMINUM BASE NO-CALK® ROOF FLASHINGS TECHNICAL SPECIFICATION

PRODUCT SELECTOR

ALUMINUM BASE NO-CALK® ROOF FLASHINGS						
✓	Product Number	Description	Length (L)	Width (W)	Pack	Carton Weight
	11832	½" – 1" Aluminum No-Calk Roof Flashing – Solar	12-½	9	12	6 lbs.
	11833	½" - 1" Aluminum No-Calk Roof Flashing – Solar	18	18	12	12 lbs.
	12920	1-¼" - 1-½" Aluminum No-Calk Roof Flashing	12-½	9	12	6 lbs.
	12923	1-¼" - 1-½" Aluminum No-Calk Roof Flashing	12-½	9	6	3 lbs.
	12933	2" Aluminum No-Calk Roof Flashing	12-½	9	12	6 lbs.
	12936	2" Aluminum No-Calk Roof Flashing	12-½	9	6	3 lbs.
	12946	3" Aluminum No-Calk Roof Flashing	14-½	11	12	7 lbs.
	12949	3" Aluminum No-Calk Roof Flashing	14-½	11	6	4 lbs.
	12959	4" Aluminum No-Calk Roof Flashing	15	12	12	13 lbs.
	12958	4" Aluminum No-Calk Roof Flashing	15	12	6	6 lbs.
	12836	1-¼" - 1-½" Large Base Aluminum No-Calk Roof Flashing	18	18	12	14 lbs.
	12849	2" Large Base Aluminum No-Calk Roof Flashing	18	18	12	15 lbs.
	12852	3" Large Base Aluminum No-Calk Roof Flashing	18	18	12	20 lbs.
	12865	4" Large Base Aluminum No-Calk Roof Flashing	18	18	12	21 lbs.

Data is subject to manufacturing tolerances.