

Haier

4.1 cu.ft. Capacity 24" Ventless Condenser Frontload Electric Dryer with Stainless Steel Basket QFT15ESSNWW



Unit Specifications

Width	23-7/16"
Depth	25-1/4"
Height	33-1/4"
Weight	110 lbs

More Easy-To-Use Features

- Embedded WiFi
- Reversible door
- Extended Tumble

Available Finishes



White
QFT15ESSNWW

Signature Features

Ventless condenser dryer

Can be installed conveniently in a closet, placed under a counter or stacked in a corner without the need to vent externally.

Compact 24" Width with large Capacity

Unique size for installation flexibility and large capacity to do laundry less often.

Touch-sensitive controls

Simple, intuitive, LCD display with touchscreen technology makes operating this dryer a breeze.

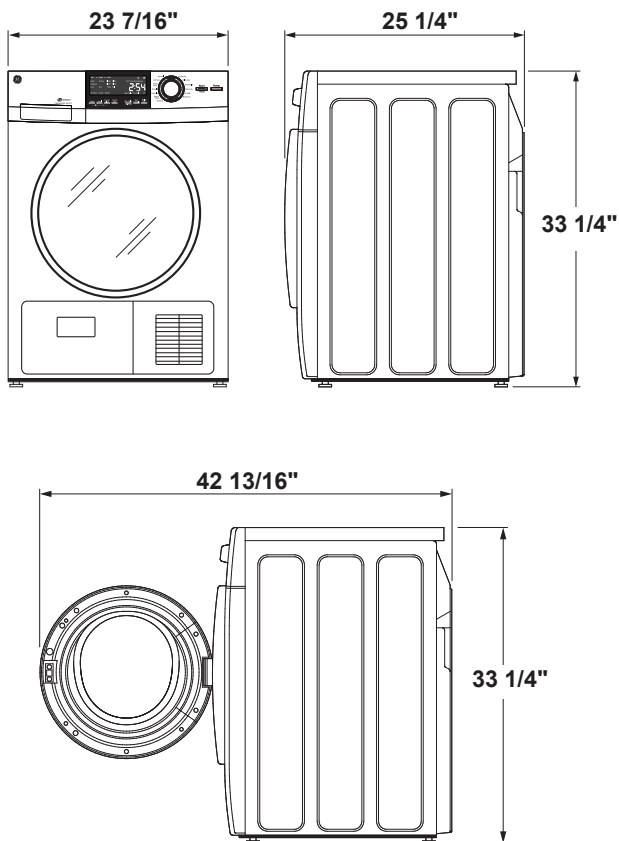
Over 200 cycle selection combinations

With hundreds of available cycle modifications, this über-functional dryer has all your laundry needs covered.

Power Requirements

Electrical Rating	208/240V; 2800W; 30A; 60Hz
-------------------	----------------------------

Product Technical Illustration



General Appliance Information

Please read all installation details and instructions before use.

Contact Us

For questions regarding this product please refer to our website at haieramerica.com or call our customer service center at 877-337-3639.

