

# KT1

Adjustable Height &  
Angle Keyboard Tray

## ASSEMBLY & OPERATING INSTRUCTIONS:

**IMPORTANT:** Before using your KT1:

- 1 Read and clearly understand the contents of this manual
- 2 Understand how to adjust KT1 correctly
- 3 Practice adjusting KT1 with nothing on it.

**Have Questions? Need Help?**

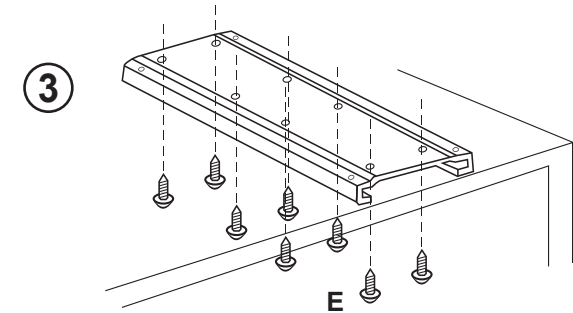
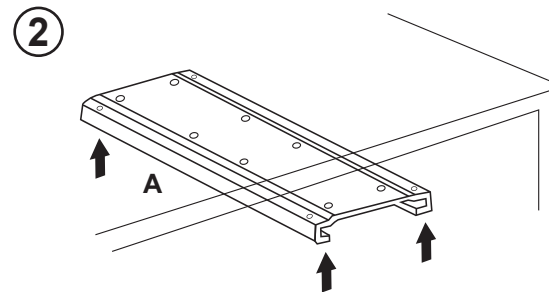
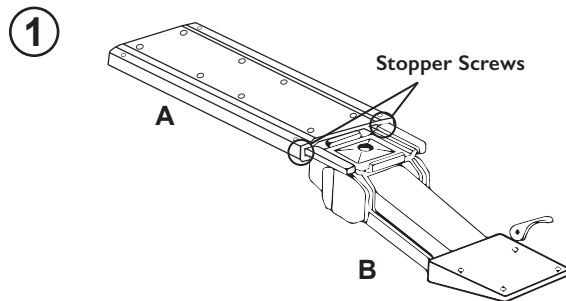
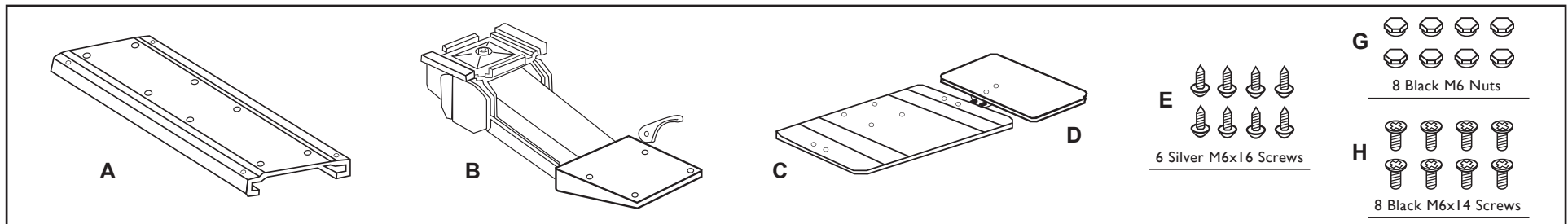
Our A+ customer support team is here to help:

**EMAIL:** hello@UncagedErgonomics.com

**PHONE:** 240-583-0517

KT1 allows you to easily adjust the height & angle of your keyboard to optimize your typing posture.

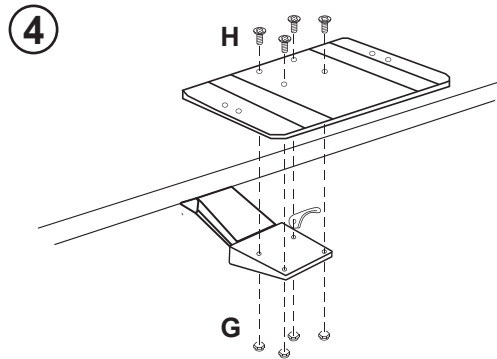
**IMPORTANT:** BEFORE using KT1 or placing a keyboard & mouse on KT1, practice adjusting KT1's height & angle.



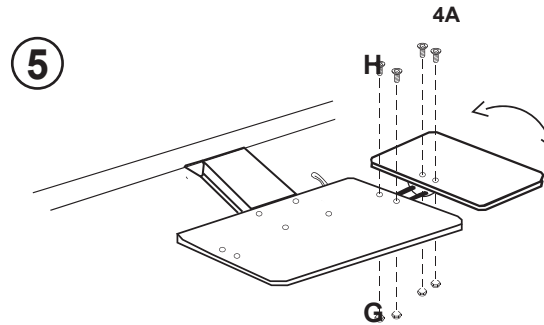
# KT1

Adjustable Height &  
Angle Keyboard Tray

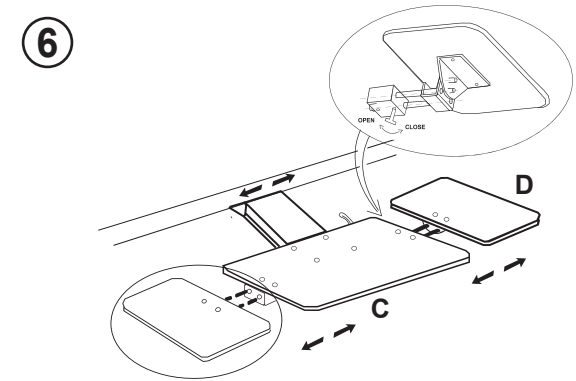
## ASSEMBLY & OPERATING INSTRUCTIONS:



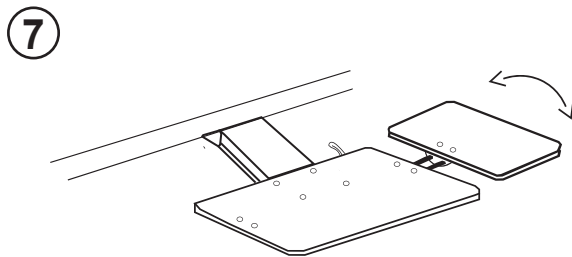
4. Attach the Keyboard Panel (C) to the mounting panel with 4 H Screws & 4 G nuts.



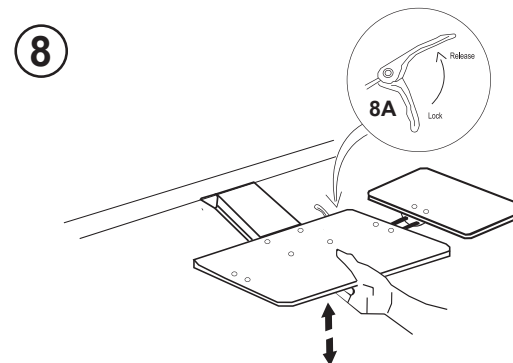
5. Connect the metal Mouse Pad Bracket to the keyboard tray using 2 H Screws & 2 G Nuts.  
4A. Connect the Mouse Pad to the Mouse Pad Bracket using 2 H Screws & 2 G Nuts.



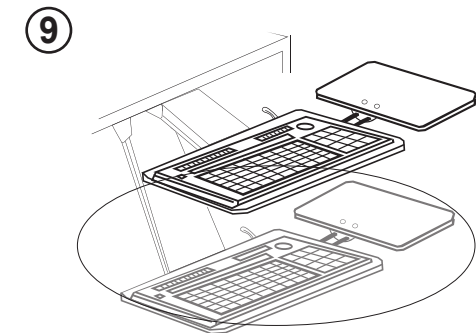
6. The Mouse Pad (D) attaches to the right or left side of the Keyboard Tray (C). Release the thumb screw on the attachment to move the Mouse Pad closer to or farther away from the Keyboard tray.



7. Press down to tilt the Mouse Pad and adjust its' angle. If the mouse pad is too loose, tighten the 2 screws on the mouse pad mounting bracket.



8. The Keyboard Tray slides in/out by pushing/pulling.  
8A. To adjust the Keyboard Tray's angle, release the lever under the keyboard tray.



9. KT1 is adjustable in height and angle. Release the lever (8A), adjust to your desired position, and lock the lever in place.