



30 : 00

---

estimated  
assembly time



2 or more

---

people required

Ok, let's  
get started!



- Put on mood music!
- To prevent damage to product, use the clean side of package carton or rug as working surface. In the event of missing or damaged parts, delivery
- problems etc., please reach out to our team. We will be happy to fix the problem!

# care guide

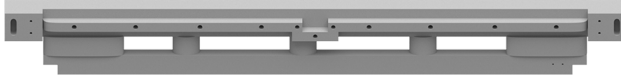
- Clean regularly with a soft and dry cloth.
- To protect finish, avoid use of abrasive cleaners.
- Wipe up spills immediately. Please!

---

ⓘ **While assembling the product, tighten the bolts up to 50%. Once all parts are in place, only then fully tighten the bolts.**



# product parts



I  
Headboard, Footboard  
x2



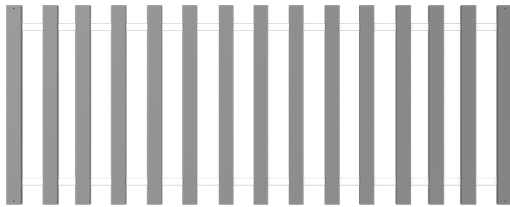
J  
Side Rail  
x2



K  
Mid Rail  
x1



L  
Mid Leg  
x3



M  
Slates  
x2

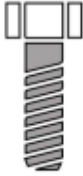


N  
Left Leg  
x2

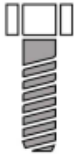


O  
Right Leg  
x2

# what's included



(A) - Bolt (8 x 50mm)  
x5



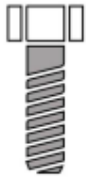
(B) - Bolt (8 x 25mm)  
x8



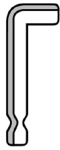
(C) - Washer (Ø8mm, Ø20 mm)  
x8



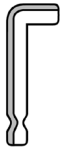
(D) - Lock Washer (Ø8mm, Ø15mm)  
x8



(E) - Bolt (6 x 25mm)  
x8



(G)- Allen Key (5mm)  
x1



(H)- Allen Key (4mm)  
x1

## assembly instructions

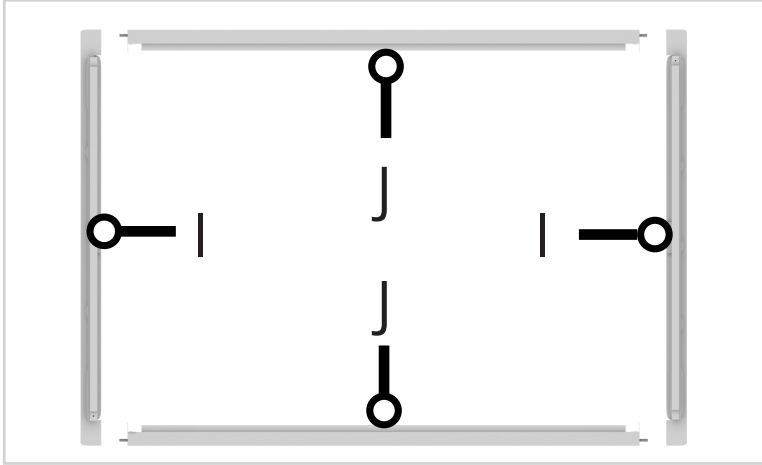
Friendly Tip: Take a deep breath going in. This may be a tricky part, but nothing too overwhelming. Just follow these steps to the T and the outcome will be worth it!



- ⓘ While assembling the product, tighten the bolts up to 50%. Once all parts are in place, only then fully tighten the bolts.

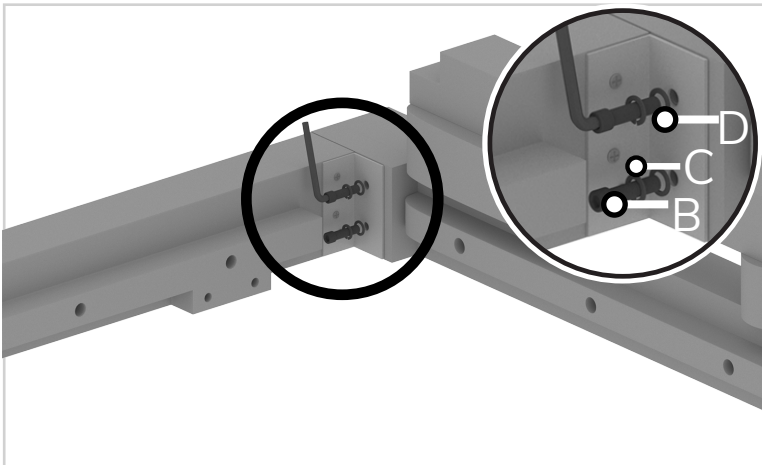
step 1:

Attach (I) to the two side rails (J).



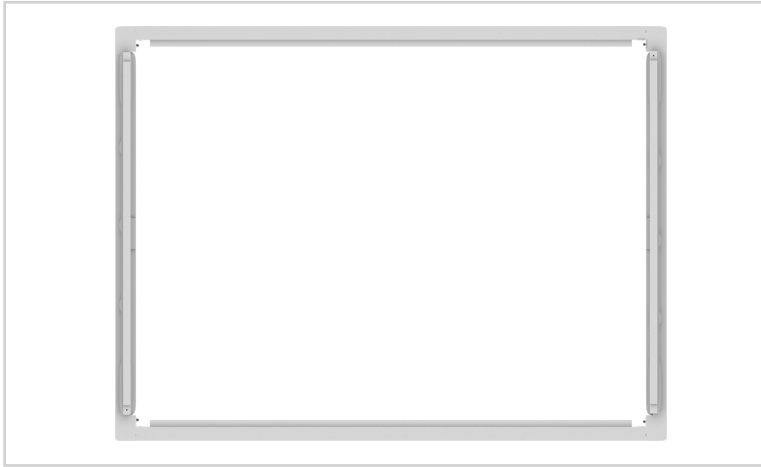
step 2:

To attach (I) to (J), insert washer (D), lock washer (C) and bolt (B) as shown in the image above. Tighten the bolt in place using allen key (G).



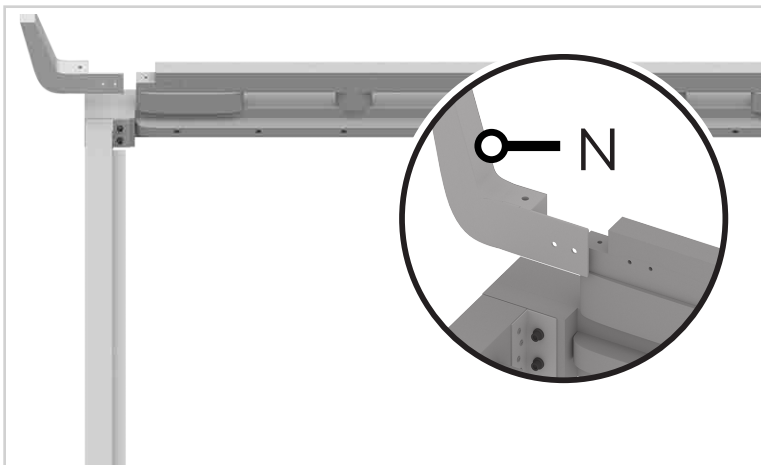
step 3:

After attaching all corners, the product will look as shown in this image.



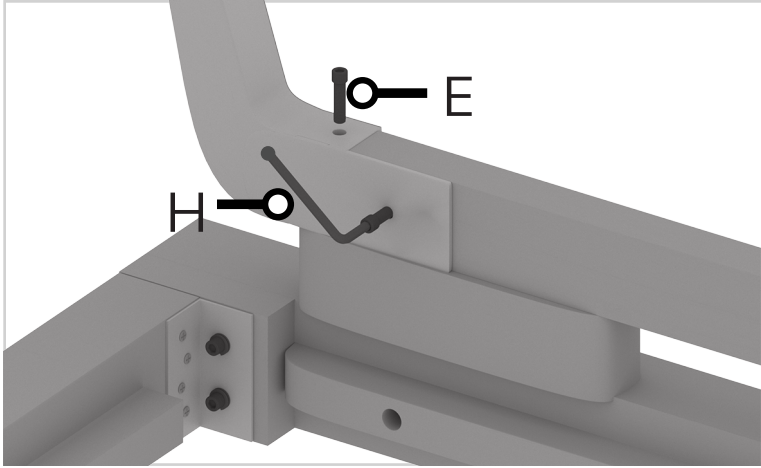
step 4:

Now, attach the left legs (N) and right legs (O) in their respective slots as shown in this image.



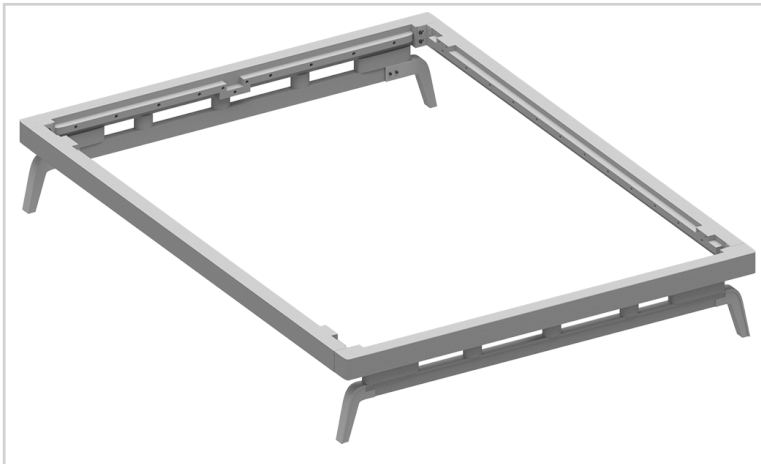
step 5:

Using the image as reference, place the Bolts (E) and fix it in place with the help of allen Key (H).



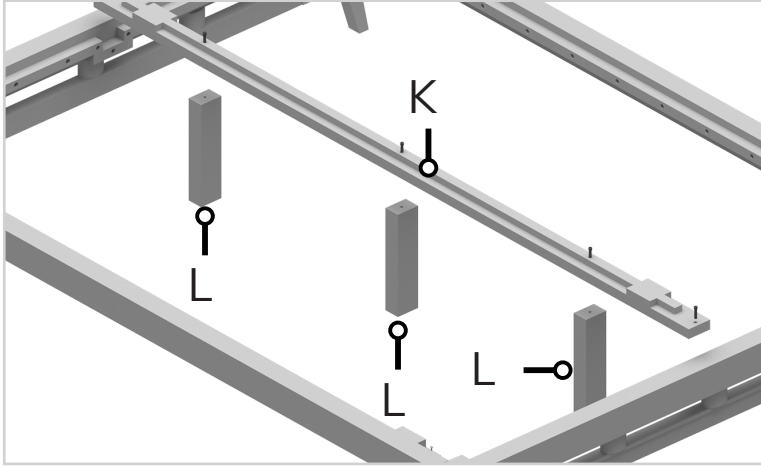
step 6:

After attaching all corners and legs, the product will look as shown in the image above.



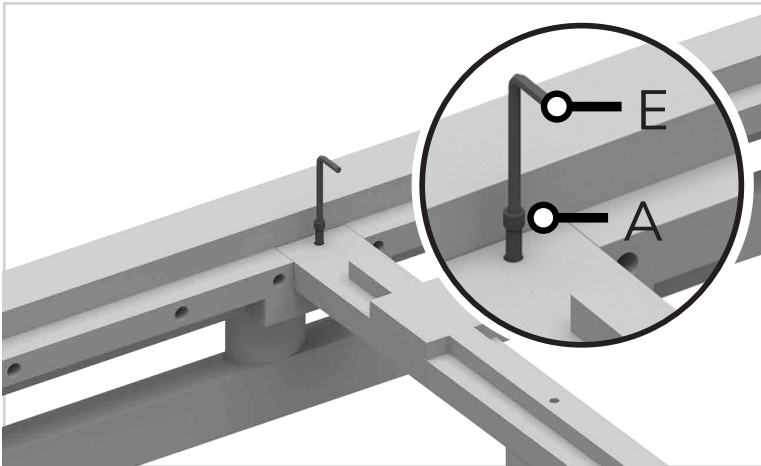
step 7:

Attach the mid-rail (K) to the mid-legs (L) using bolts and allen Key, as shown in the image.



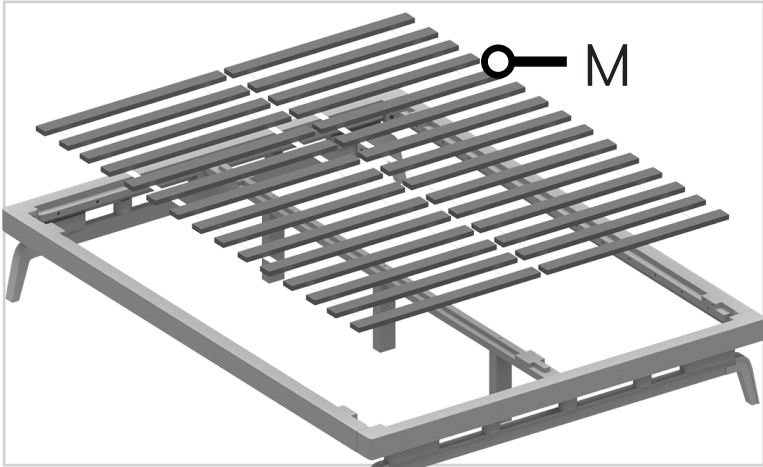
step 8:

Using the image as reference, place the bolt (A) and fix the mid-legs in place with the help of allen key (E).



step 9:

Make sure the slates are fixed in place.



---

**Voila! Your bed is now assembled and secure!**

you've  
got  
a home  
with us

