























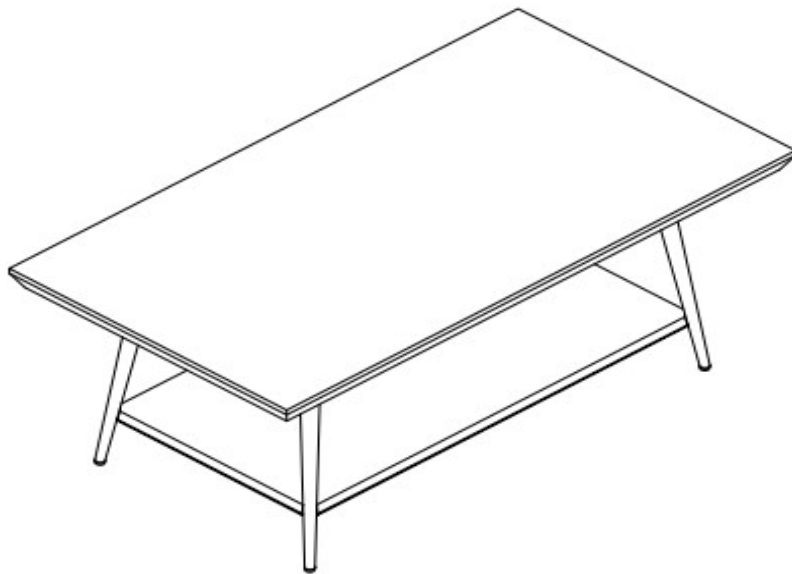
Assembly Instructions

Caution : You must read this before you proceed

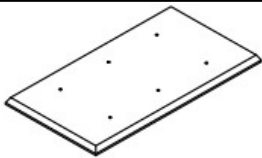



Care & Maintenance

-   ● Not for commercial use. For residential use only.
 -   ● Furniture may scratch floors. We recommend using furniture pads to protect your floors.
 -   ● Do not put hot items directly on furniture surface.
 -   ● Do not clean furniture with harsh cleansers or polish.
 -   ● Do not place furniture under direct sunlight.
 -   ● Do not place furniture near heating or cooling vents.
 -   ● Do not write on furniture without a padded barrier to protect the surface.
 -   ● Do not place furniture outside . For indoor use only.
 -   ● Stains may be removed with mild soap solution and damp cloth.
 -   ● Children should not climb or jump on the furniture.
-   ● Dust and pick-up spills using a clean, non-colored, lint-free cloth.



COFFEE TABLE




Parts List

Label	Picture	Description	QTY
A		Table Top	1
B		Metal Fram	1
C		Middle Board	1
D		Leg	4

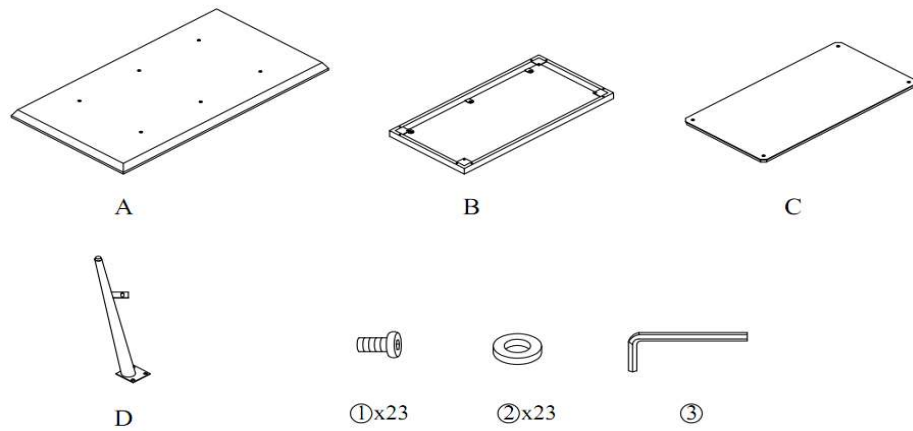
Hardware






Label	Picture	Description	QTY
①		Bolt (M6x15mm)	23
②		Washer	23

③		Allen Wrench	1
---	---	--------------	---

Assembly Preparation

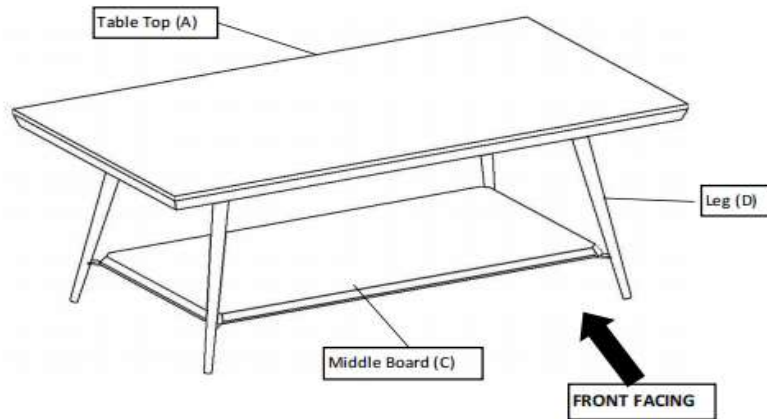
Before Beginning Assembly:



-  • Read instructions, cover to cover-
-  • Have 2 adults on hand for assembly-
-  • Do not assemble on flooring or carpet-
-  • Assemble on a clean non-marring surface (packing foam)-
-  • Save all packaging until finished-

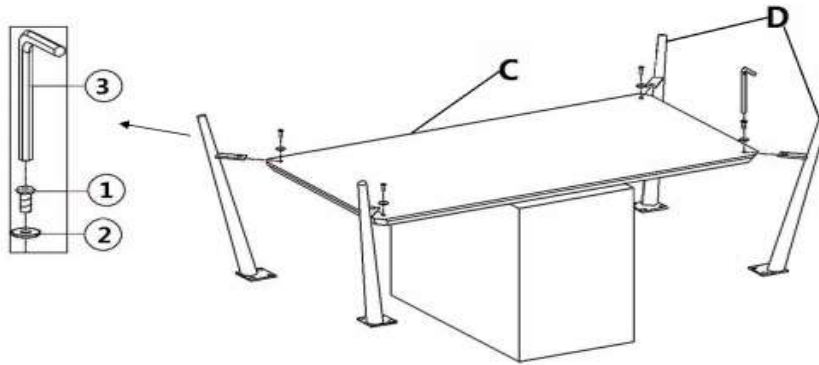
Assembly Steps

Overview:



This Coffee Table has multiple parts and may require up to 30 minutes to assemble. To give you an overview of the Coffee Table parts, the above picture is to help you put the various parts into perspective. Please read through the instructions below to familiarise yourself with the parts and steps before assembly.

Step 1



Carefully place the Middle Board(C) facedown on a clean, non-marring surface. Align the mounting positions of four Leg(D) with the four corners of the Middle Board(C).

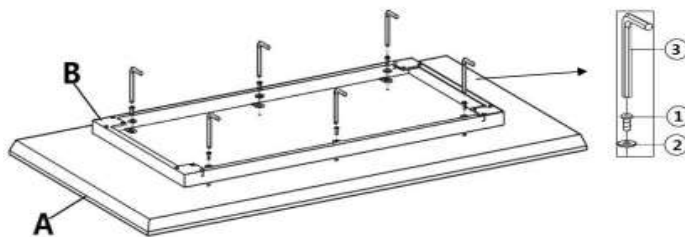
Attach a Leg(D) to one corner of Middle Board(C) using a Bolt(①), Washer(②) and the Allen Wrench(③).

Do not fully tighten the Bolts.

Repeat the same process with the remaining three Legs(D).

You should have a second adult hold the Middle Board(C) in place when assembling.

Step 2

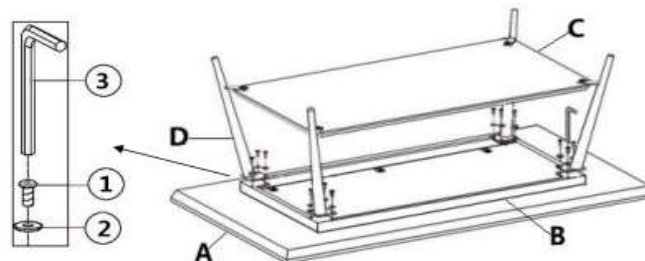


Carefully place the Table TOP(A) facedown on a clean, non-marring surface.

Attach the Metal Frame(B) to Table Top(A) using Bolts(①), Washers(②) and the Allen Wrench(③).

Do not fully tighten the Bolts.

Step 3

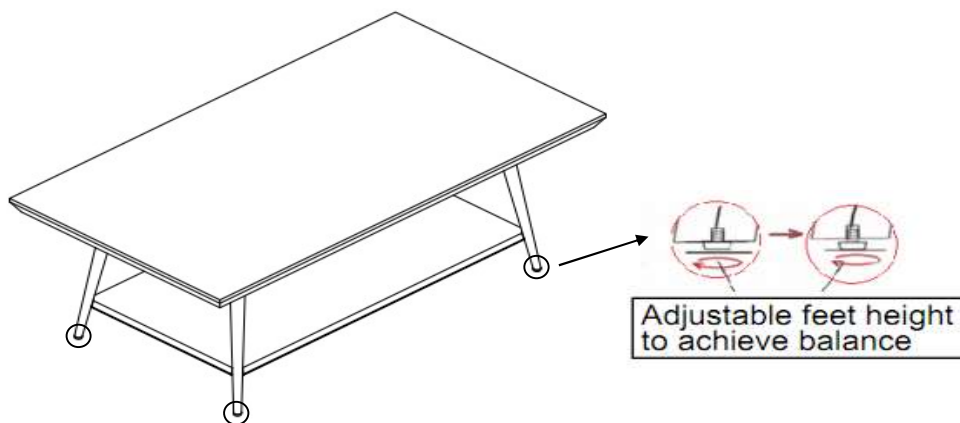


Attach the assembled Middle Board(C) and Leg(D) to Metal Frame(B) using Bolts(①), Washers(②) and the Allen Wrench(③).

Do not fully tighten the Bolts.

You should have a second adult hold the Middle Board(C) in place when assembling.

Step 4



Stand the Coffee Table up.

Check stability and then tighten the Bolts.

Do not fully tighten a Bolt in one go and then move on to the next.

Rather, In a sequential manner, gradually tighten each Bolt until all Bolts are evenly secured.

This methodology will ensure maximum evenness once all Bolts are fully tightened.

Your Coffee Table is ready for use.

This Table can only be used on a flat, level surface.