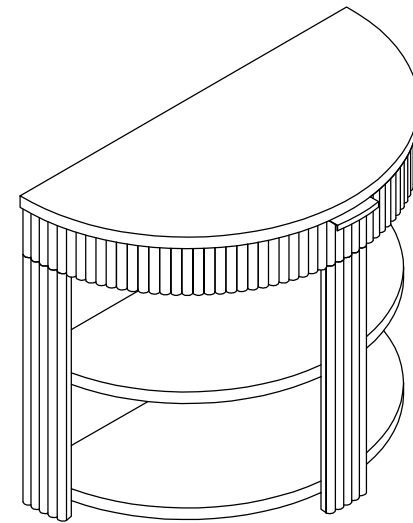


SHELBY REEDED HALF MOON CONSOLE TABLE

DESIGN# SFV2208

Assembly Instructions



Need help?
Feel free to contact us via email or call
if you have any specific questions!

contact us:
cs@safavieh.com
866-422-9070

SAFAVIEH
C O U T U R E

Thanks for bringing Safavieh Couture into your home

Everything we make is incredibly simple to set up, including your new console table. You won't need any additional tools.

Parts List

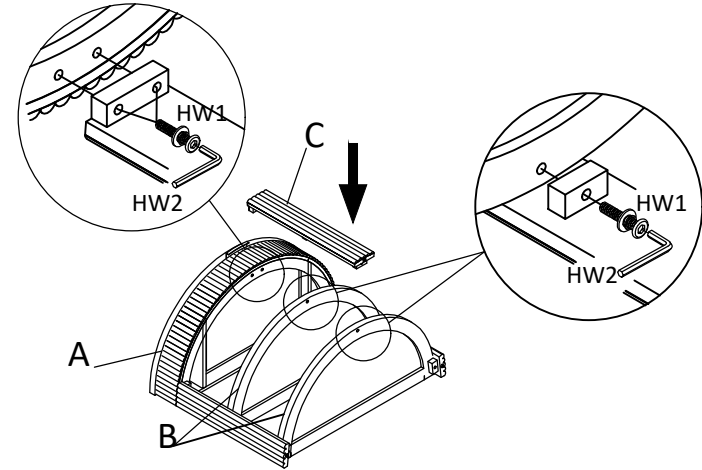
- A x 1
Table Top
- B x 2
Shelf
- C x 3
Leg

Hardware List

- HW1 x 12
Hex Socket Bolt 1/4"-20 x 1.25"
- HW2 x 1
Allen Key M4
- HW3 x 1
Anti-Tip Hardware

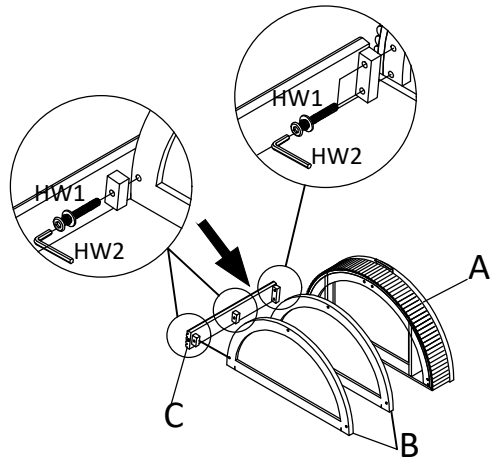
3

Repeat Step 1 to assemble the leg (C) in the middle of the table. Align the 4 holes in the leg (C) to the holes at the bottom of the Table top (A) and the bottom of the 2 Shelves (B). Use the Allen Key (HW2) to screw in the 4 Hex Socket Bolts (HW1).



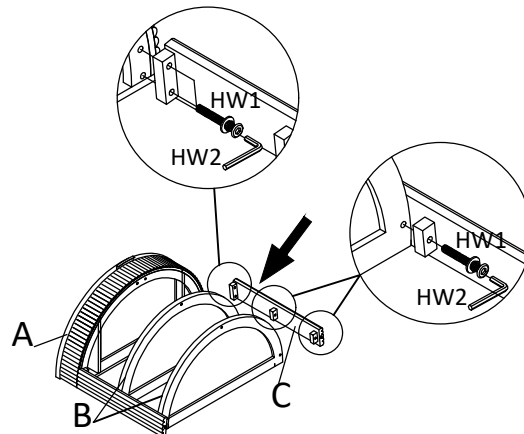
1

Place the table top (A) on its flat side on a soft surface. Align the 4 holes in the leg (C) to the holes at the bottom of the Table top (A) and the bottom of the 2 Shelves (B). Use the Allen Key (HW2) to screw in the 4 Hex Socket Bolts (HW1) to attach the leg (C).



2

Repeat Step 1 to assemble the leg (C) on the right side of the table. Align the 4 holes in the leg (C) to the holes at the bottom of the Table top (A) and the bottom of the 2 Shelves (B). Use the Allen Key (HW2) to screw in the 4 Hex Socket Bolts (HW1).



4

Turn the console table upright. Place the console table in the place where you will use it. Use the levelers on the bottom of the legs to adjust the console table as needed. Follow the installation instructions of the Anti-Tip Hardware (HW3) to attach the console table to the wall. We'd love to see it- just tag us (we're @safavieh) and use the hashtag #safavieh on Instagram!

