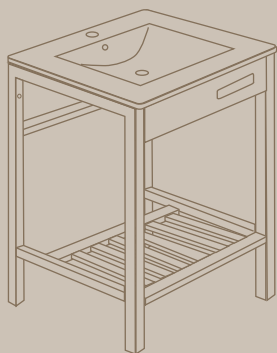
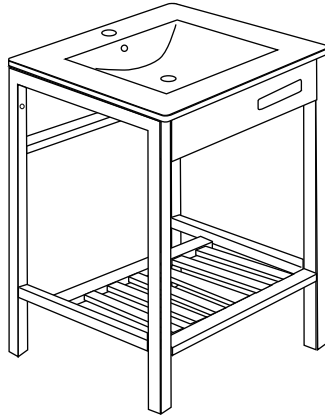


INSTALLATION INSTRUCTIONS



Bathroom Console Sink

Bathroom Console Sink



Questions, problems, missing parts?
Before returning to the store, email
Our Customer Service

THANK YOU

Safety Information

Before installing this sink, read this instruction manual carefully. It contains important information concerning the safe installation, operation, and maintenance of your sink. Retain this manual for future use. In the event of sale, transfer, or relocation, ensure this manual remains with the sink.

Warranty

LIMITED LIFETIME WARRANTY

Our products are manufactured with superior quality standards and workmanship and are backed by our 1-Year limited warranty.

Our products are warranted to the original consumer purchaser to be free of defects in materials or workmanship. We will replace FREE OF CHARGE any product or parts that proves defective.

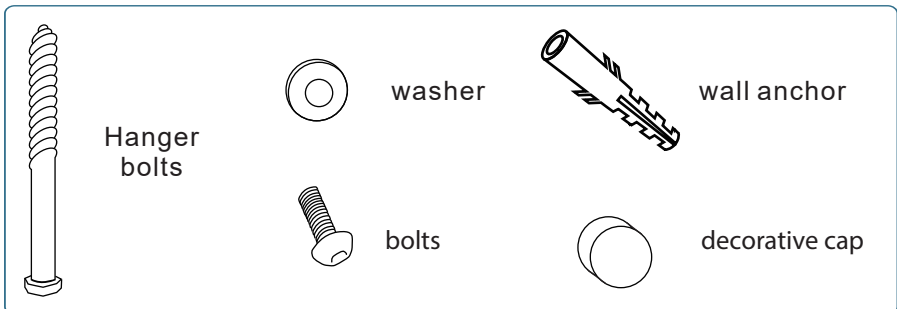
Pre-Installation

Compare all parts with the Hardware Included and Package Contents lists in this manual. Check the surface of the sink for any flaws or damage, including dents, bends, bumps, or scuff marks. If any damage is noticed or parts are missing, do not proceed with the installation. Contact the Customer Service Team.

Packing list

Part	Item	Quantity
A	sink	1
B	screw set	1
C	consoles	1

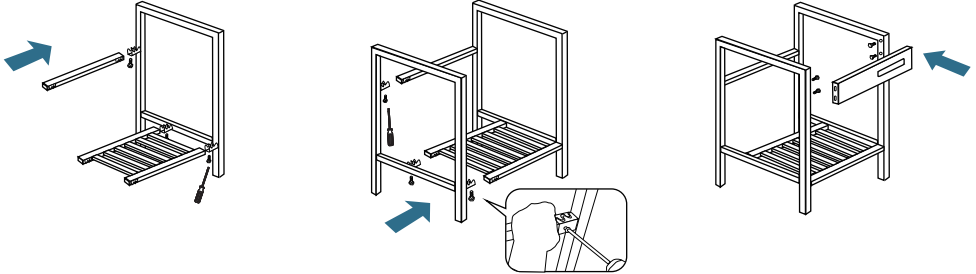
Hardware Included



Installation

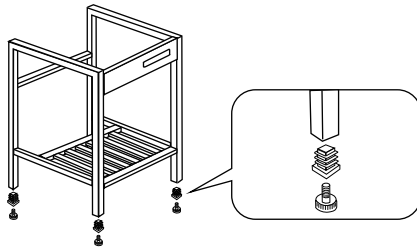
1 Assemble The Console

Note that the threaded pipe is mounted on both sides.(tips: The connector needs to be tightened)



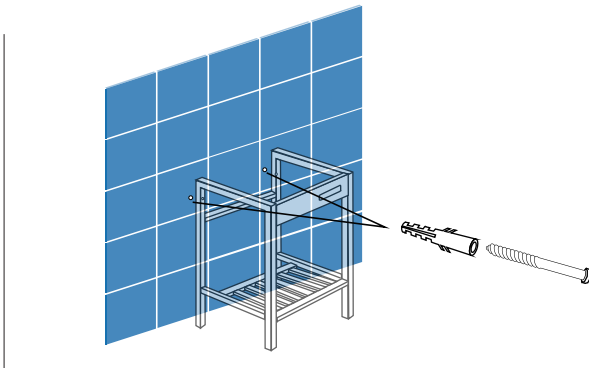
2 Install the leveling feet

Turn the console upside down , Install the leveling feet



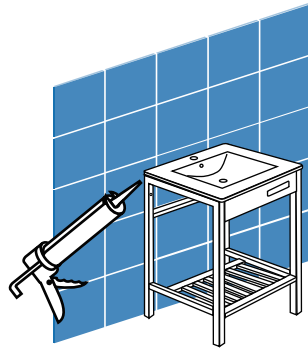
3 Install Wall Anchors

Place the console against a wall and select a suitable location. Install the wall anchors for the console base. Mount the console to the wall with screws.



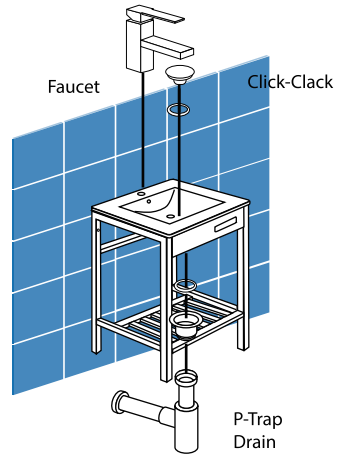
4 Install Sink

Apply sealant to the bottom of the sink and place the sink on top of the console. You can apply a layer of caulk between the sink and the wall to make the sink safer to use.



5 Sink Accessories

Complete your installation by adding the preferred plumbing accessories, such as the faucet, click-clack drain, p-trap and angle valves to your sink. Faucet and pop-up drainer not included.



Care and Cleaning

For best results in caring for your sink, we suggest the following:

- Clean the outside surface with mild soap, warm water, and a soft cloth.
- On stubborn stains, use a powdered detergent and damp sponge or nylon scouring pad.
- Never use abrasive scouring powders, cleansers, or pads because they will scratch, damage, and dull the surface.

