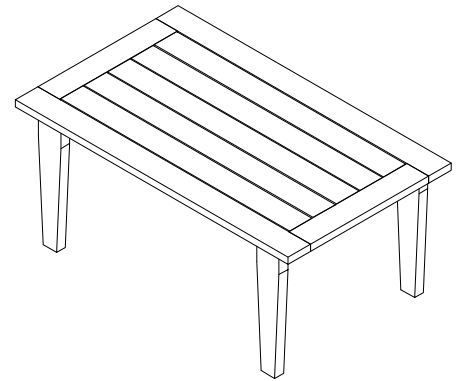
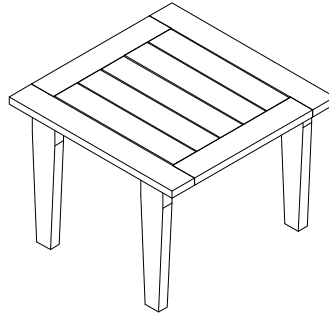
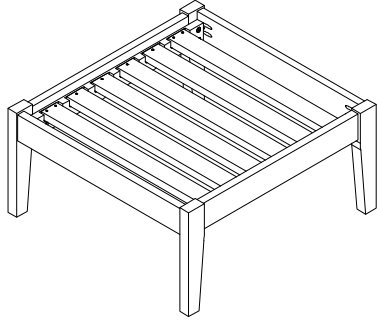


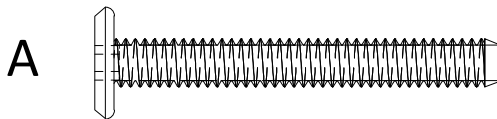
Deep Seating Ottoman, Side Table, & Conversation Table Assembly Guide



DSL04
DSL05
DSL06

*Actual Style May Vary from
the One Pictured in this Guide

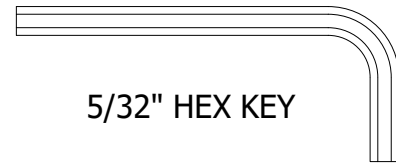
HARDWARE INCLUDED



Qty: 8

(1/4-20 x 2")

TOOLS INCLUDED



5/32" HEX KEY

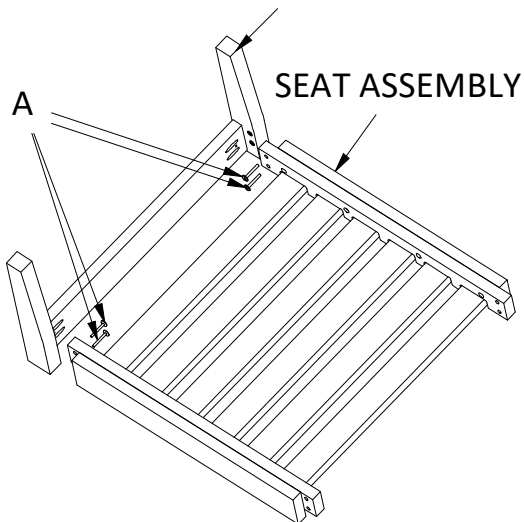
CUSTOMER SUPPLIED TOOLS

Cordless screwdriver/drill OR
multi-bit handle for the T-15 bit

IMPORTANT!

DO NOT fully tighten bolts until all bolts are started.

LEG ASSEMBLY



STEP 1

Lay the Seat Assembly on the ground and attach the Leg Assembly using (4) A Bolts as Shown.

STEP 2

Repeat Step 1 on the other side.